

"THE MATERIAL HEREIN IS FOR INFORMATION PURPOSES ONLY AND IS SUBJECT TO CHANGE WITHOUT NOTICE. DIGITAL EQUIPMENT CORPORATION ASSUMES NO RESPONSIBILITY FOR ANY ERRORS WHICH MAY APPEAR HEREIN."

FIELD MAINTENANCE PRINT SET

"THIS DRAWING AND SPECIFICATIONS, HEREIN, ARE THE PROPERTY OF DIGITAL EQUIPMENT CORPORATION AND SHALL NOT BE REPRODUCED OR COPIED OR USED IN WHOLE OR IN PART AS THE BASIS FOR THE MANUFACTURE OR SALE OF ITEMS WITHOUT WRITTEN PERMISSION. COPYRIGHT © 1978 DIGITAL EQUIPMENT CORPORATION."

TABLE OF CONTENTS

*Tool manual 2-8
EIA-Loop Back*

From pin	To pin	To pin
2	3	15
4	5	8
20	6	22
19	12	17

B-TC-LA120-0-3	LA120 FIELD MAINTENANCE PRINT SET (TC)
B-DD-LA12X-AL	LA12X-AL 20 MA OPTION PACKAGE (DD)
B-DD-LA120-0	LA120 UNIT ASSY. (DD)
E-UA-LA120-0-0	LA120 UNIT ASSY.
B-PL-LA120-0-0	LA120 UNIT ASSY. (PL)
D-BD-LA120-0-2	LA120 BLOCK DIAGRAM
E-UA-5413044-0-0	H7110 POWER SUPPLY
A-PL-5413044-0-0	H7110 POWER SUPPLY (PL)
D-CS-5413044-0-1	H7110 POWER SUPPLY (CS)
D-UA-5412644-0-0	KEY PAD (LA120)
K-PL-5412644-0-DRP	KEY PAD (LA120) (PL)
D-CS-5412644-0-1	KEY PAD (LA120) (CS)
D-UA-5412642-0-0	KEYBOARD LA120
K-PL-5412642-0-DBP	KEYBOARD LA120 (PL)
D-CS-5412642-0-1	KEYBOARD LA120 (CS)
E-UA-M7081-0-0	PRINTER LOGIC & POWER BOARD
K-PL-M7081-0-DBP	PRINTER LOGIC & POWER BOARD (PL)
D-CS-M7081-0-0	PRINTER LOGIC & POWER BOARD (CS)
D-CS-5411653-0-1	6 LPI FORM CONTROL
D-UA-5413206-0-0	20 MA ADAPTOR
K-PL-5413206-0-DBP	20 MA ADAPTOR (PL)
D-CS-5413206-0-1	20 MA ADAPTOR (CS)
D-IA-7015168-0-0	POWER ENTRY BKT ASSY. (CVT)
E-UA-5413673-0-0	H7150 POWER SUPPLY

UNIT VARIATIONS COVERED BY THIS PRINT SET
LA120-AA
LA120-BA
LA120-DA
LA120-GA
LA120-RE

**LA120
Field Maintenance
Print Set**

**Digital Equipment
Corporation**

PRINT SET ORDER NUMBER
MP00663

REV. C
NUMBER LA120-0-3
SIZE B TC

REV. C	DATE	9-79	9-79	10-79	REVISIONS	CHG. NO.	LA120-PN090	A	B	C		
	USED ON OPTION/MODEL											
	DRN.	D. Neal	DATE	29 AUG 79		TITLE: LA120 UNIT ASSY. digital						
	CHK'D	D. Neal	DATE	6 SEP 78								
	PROJ. ENG.	P.E. Nelson	DATE	14 SEP 79								
FIELD SERV.	Spotswood	DATE	10/1/79	SIZE	B	CODE	TC	NUMBER	LA120-0-3	REV.	C	
SHEET 1 OF 2				DIST.								

TABLE OF CONTENTS

A-PL-5413673-0-0	H7150 POWER SUPPLY (PL)
D-CS-5413673-0-0	H7150 POWER SUPPLY (CS)
D-IA-7016530-0-0	POWER ENTRY ASSY. (SWITCHER)
K-PL-4514001-0-DBP	LA120 KEYBOARD TERMINATOR
D-UA-5414001-0-0	LA120 KEYBOARD TERMINATOR
D-CS-5414001-1-0	LA120 KEYBOARD TERMINATOR

TITLE LA120 UNIT ASSY.	SHEET 2 OF 2	SIZE CODE B TC	NUMBER LA120-0-3	REV C
----------------------------------	----------------------------	--------------------------	----------------------------	-----------------


"THE MATERIAL HEREIN IS FOR INFORMATION PURPOSES ONLY AND IS SUBJECT TO CHANGE WITHOUT NOTICE. DIGITAL EQUIPMENT CORPORATION ASSUMES NO RESPONSIBILITY FOR ANY ERRORS WHICH MAY APPEAR HEREIN."

DRAWING DIRECTORY

"THIS DRAWING AND SPECIFICATIONS, HEREIN, ARE THE PROPERTY OF DIGITAL EQUIPMENT CORPORATION AND SHALL NOT BE REPRODUCED OR COPIED OR USED IN WHOLE OR IN PART AS THE BASIS FOR THE MANUFACTURE OR SALE OF ITEMS WITHOUT WRITTEN PERMISSION. COPYRIGHT © 1978 DIGITAL EQUIPMENT CORPORATION."

UNIT VARIATIONS

VAR	TITLE
LA12X-AL	20 MA OPTION PACKAGE

REVISIONS	CHK	CHANGE NO.	REV.	USED ON OPTION/MODEL	DRN.	DATE	TITLE		
	83	LA120-PN044	A		LA120-HA	B. HALE			24 JUL 78
						CHK'D.			DATE
						<i>D. Hale</i>			<i>26 JUL 78</i>
						PROJ. ENG.			DATE
					<i>P. E. Nelson</i>	4 AUG 78			
				PROD.	DATE	SIZE CODE	NUMBER	REV	
					<i>Jan 78</i>	8/4/78	B DD	LA12X-AL	A
				SHEET 1 OF 2			DIST.		

FIND NO.	DRAWING NO.	DESCRIPTION	TYPE	FIND NO.	DRAWING NO.	DESCRIPTION	TYPE
1	B-PL-LA12X-AL-Ø	20 MA OPTION PKG.	E/M				
	C-UA-BCØ5F-Ø-Ø	CABLE, INTERFACE BCØ5F	E/M				
	D-IA-7016186-0-0	HARNESS, INTERNAL 20 MA ADAPTER	E/M				
	B-PL-LA12X-AL	SHIPPING LIST LA12X-AL	-				
2	D-AD-7016059-0-0	20 MA ASSY.	M				
	D-MD-7421168-0-0	PLATE, INTERFACE	M				
3	D-IA-7015273-0-0	20 MA ADAPTER ASSY.	E/M				
4	B-DD-5413206-0	20 MA ADAPTER BOARD	E/M				
5	D-IA-7015502-0-0	20 MA LOOPBACK CONNECTION	E				
6	EK-LA12X-IN-ØØ1	INSTALLATION PROCEDURE, 20 MA OPTION KIT	E/M				

TYPE: E ELECTRICAL
M MECHANICAL
E/M ELECTRO/MECHANICAL



TITLE	SHEET 2 OF 2	SIZE	CODE	NUMBER	REV
LA12X 20 MA OPTION PACKAGE		B	DD	LA12X-AL	A

"THE MATERIAL HEREIN IS FOR INFORMATION PURPOSES ONLY AND IS SUBJECT TO CHANGE WITHOUT NOTICE. DIGITAL EQUIPMENT CORPORATION ASSUMES NO RESPONSIBILITY FOR ANY ERRORS WHICH MAY APPEAR HEREIN."

DRAWING DIRECTORY

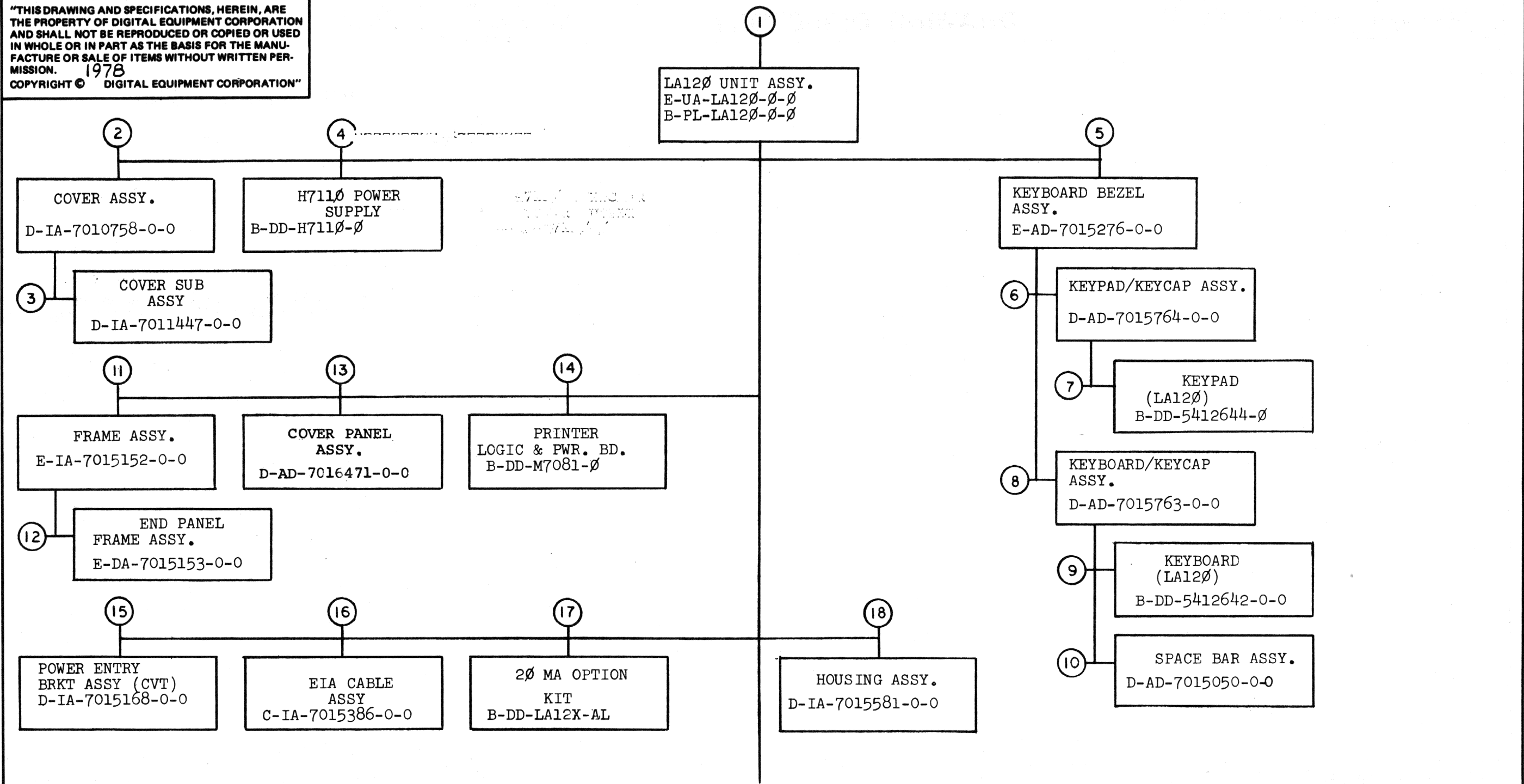
"THIS DRAWING AND SPECIFICATIONS, HEREIN, ARE THE PROPERTY OF DIGITAL EQUIPMENT CORPORATION AND SHALL NOT BE REPRODUCED OR COPIED OR USED IN WHOLE OR IN PART AS THE BASIS FOR THE MANUFACTURE OR SALE OF ITEMS WITHOUT WRITTEN PERMISSION. COPYRIGHT © 1978 DIGITAL EQUIPMENT CORPORATION."

UNIT VARIATIONS	
VAR	TITLE
LA120-AA	BASIC TERMINAL, NO NUMERIC PAD, NO PAPER, NO RIBBON, EIA INTERFACE, 115V, 60 HZ
LA120-BA	BASIC TERMINAL, NUMERIC PAD, EIA INTERFACE, 115V, 60 HZ
LA120-CA	BASIC TERMINAL, NUMERIC PAD, 20 MA INTERFACE, MATE-N-LOCK, 115V, 60 HZ
LA120-DA	UNIVERSAL POWER SUPPLY, 115/230 VAC, 50/60 HZ, E.I.A. INTERFACE, NUMERIC PAD
LA120-GA	UNIVERSAL POWER SUPPLY, 115/230 VAC, 50/60 HZ, E.I.A. INTERFACE NO NUMERIC PAD
LA120-RE	READ ONLY TERMINAL, EIA INTERFACE 110V, 60 HZ

REVISIONS	CHK	CHANGE NO.	REV.	USED ON OPTION/MODEL	DRN.	DATE	TITLE	digital				
		LA120-PN039	A						LA120	B. HALE	7 JUL '78	LA120 UNIT ASSY.
		LA120-PN043	B							CHK'D.	DATE	
		LA120-PN100	C							<i>E. May</i>	26 JUL 78	
		LA120-PN096	D							PROJ. ENG.	DATE	
		LA120-PN132	E							<i>P. E. McLean</i>	4 AUG 78	SIZE CODE NUMBER REV
	LA120-PN133	F		PROD.	DATE	B DD	LA120-0 F					
				SHEET 1 OF 7	<i>[Signature]</i>	8/4/78	DIST.					

111

"THIS DRAWING AND SPECIFICATIONS, HEREIN, ARE THE PROPERTY OF DIGITAL EQUIPMENT CORPORATION AND SHALL NOT BE REPRODUCED OR COPIED OR USED IN WHOLE OR IN PART AS THE BASIS FOR THE MANUFACTURE OR SALE OF ITEMS WITHOUT WRITTEN PERMISSION. 1978
COPYRIGHT © DIGITAL EQUIPMENT CORPORATION"

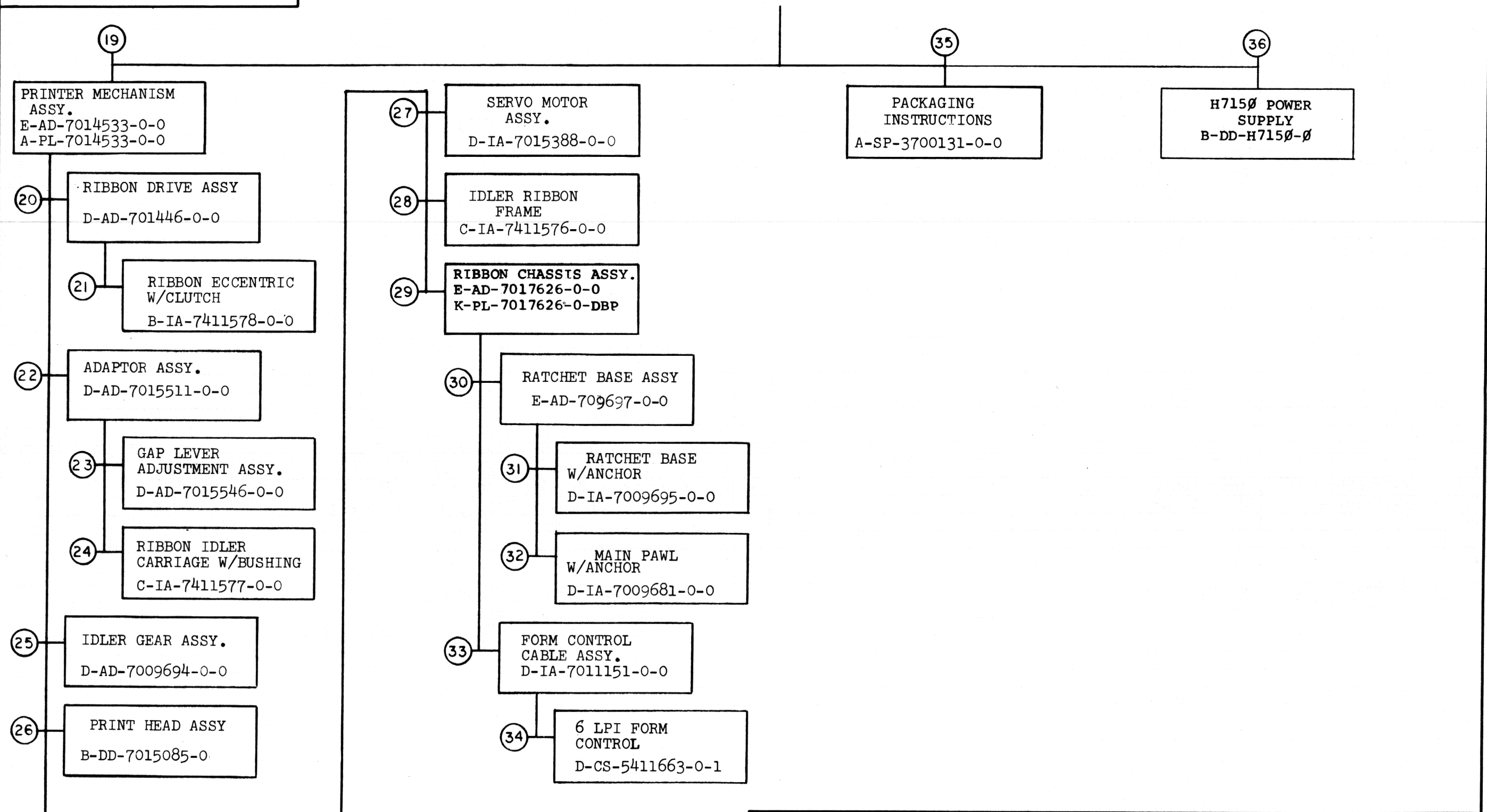


CONTINUED ON SHEET 3

TITLE LA120 UNIT ASSY	SHEET 2 OF 7	SIZE CODE B DD	NUMBER LA120-0	REV F
--------------------------	--------------	-------------------	-------------------	----------

"THIS DRAWING AND SPECIFICATIONS, HEREIN, ARE THE PROPERTY OF DIGITAL EQUIPMENT CORPORATION AND SHALL NOT BE REPRODUCED OR COPIED OR USED IN WHOLE OR IN PART AS THE BASIS FOR THE MANUFACTURE OR SALE OF ITEMS WITHOUT WRITTEN PERMISSION."
 1978
 COPYRIGHT © DIGITAL EQUIPMENT CORPORATION"

CONTINUED FROM SHEET ?



TITLE	LA120 UNIT ASSY	SHEET 3 OF 7	SIZE CODE	B DD	NUMBER	LA120-0	REV	F
-------	-----------------	--------------	-----------	------	--------	---------	-----	---

PN

FIND NO.	DRAWING NO.	DESCRIPTION	TYPE	FIND NO.	DRAWING NO.	DESCRIPTION	TYPE
				6	D-AD-7015764-0-0	KEYPAD/KEYCAP ASSY.	E/M
					D-PS-1214333-0-0	KEY CAPS (NUMBERS)	M
					D-PS-1214332-0-0	ADAPTOR, KEY CAPS	M
	E-UA-LA120-0-0	LA120 UNIT ASSY.	E/M				
	B-PL-LA120-0-0	LA120 UNIT ASSY. (PL)	E/M				
	B-DD-LA120-0-2	LA120 BLOCK DIAGRAM	E				
	D-IA-7015408-0-0	HARNESS, LOGIC POWER	E/M				
	C-IA-7015552-0-0	GROUND WIRE - POWER SUPPLY CHASSIS	E/M				
	A-PS-1700107-0-0	HEAD CABLE ASSY.	E/M	7	B-DD-5412644-0	KEYPAD (LA120)	E/M
	D-IA-7412158-0-0	PAPER GUIDE	M				
	C-MD-7412424-0-0	SWITCH, FORMS REWORK	M				
	E-IA-7015387-0-0	SWITCHES, HARNESS ASSY.	E/M				
	A-PS-1700083-0-0	POWER CORD	E/M				
	A-DC-7412197-0-0	DECAL, U.L.	M	8	D-AD-7015763-0-0	KEYBOARD/KEYCAP ASSY.	E/M
	A-PS-1700107-0-0	HEAD CABLE ASSY.	E/M		C-MD-7420120-0-0	CLIP, EQUALIZER	M
	D-BD-LA120-0-4	BLOCK DIAGRAM (115-230V 50-60 HZ)	E		D-PS-1214333-0-0	KEYCAPS SET	M
					D-PS-1214352-0-0	ADAPTOR KEYCAP	M
				9	B-DD-5412642-0	KEYBOARD (LA120)	E/M
				10	D-AD-7015050-0-0	SPACE BAR ASSY.	M
					B-MD-7420119-0-0	BRACKET, SPACE BAR	M
					E-PS-1211857-0-0	BAR, SPACE	M
2	D-IA-7010758-0-0	COVER ASSY.	M		C-PS-1211858-0-0	BAR, EQUALIZER	M
	C-MD-7411818-0-0	CLIP, COVER	M		D-PS-1211860-0-0	ADAPTOR, KEYCAP SET	M
3	D-IA-7011447-0-0	COVER, SUB ASSY.	M	11	E-IA-7015152-0-0	FRAME ASSY.	M
	E-MD-7411122-0-0	COVER	M		E-IA-7420117-0-0	BASE	M
					B-MD-7420217-0-0	BRACKET, FAN MOUNTING	M
					C-MD-7420218-0-0	PANEL, SHIELDING	M
					E-IA-7420116-0-0	HOUSING, COMPONENT	M
4	B-DD-H7110-0	H7110 POWER SUPPLY	E/M				
5	E-AD-7015276-0-0	KEYBOARD BEZEL ASSY.	E/M	12	E-DA-7015153-0-0	END PANEL FRAME ASSY.	M
	E-PS-1214563-0-0	BEZEL, KEYBOARD	M		C-IA-7411117-0-0	FOOT FRAME ASSY.	M
	D-PS-1215053-0-0	CLOSURE OPTIONS	M				

TYPE: E ELECTRICAL
M MECHANICAL
E/M ELECTRO/MECHANICAL

digital

TITLE LA120 UNIT ASSY.

SHEET 4 OF 7

SIZE CODE
B DD

NUMBER
LA120-0

REV
F

FIND NO.	DRAWING NO.	DESCRIPTION	TYPE	FIND NO.	DRAWING NO.	DESCRIPTION	TYPE				
13	D-AD-7016471-C-C	COVER PANEL ASSY.	M	20	C-MD-7411076-0-0	SHAFT, TRACTOR SUPPORT (.312 DIA)	M				
	D-IA-7422179-0-0	COVER PANEL	M		C-MD-7411075-0-0	SHAFT, TRACTOR DRIVE (.250 SQ)	M				
	B-MD-7422180-0-0	HANDLE PANEL	M		C-MD-7411425-0-0	BUSHING, TRACTOR SHAFT RETAINING	M				
	A-PS-3616076-G-C	FUSE RATING LABEL	M		B-MD-7411098-0-0	COLLAR, SIDE PLATE	M				
14	B-DD-M7081-0	PRINTER, LOGIC AND POWER BOARD			D-MD-7411441-0-0	HUB, CLUTCH	M				
					E-MD-7411440-0-0	GEAR, DRIVE CLUTCH	M				
15	D-IA-7015168-0-0 D-IA-7420162-0-0 D-IA-7015548-0-0 C-IA-7015800-0-0	POWER ENTRY BRACKET ASSY. (CVT) BRACKET, MOUNTING HARNESS, POWER ENTRY WIRE, JUMPER	E/M M E/M E/M		B-MD-7411443-0-0	WASHER, CLUTCH	M				
					D-MD-7411437-0-0	KNOB, LINE FEED	M				
					B-MD-7411575-0-0	SHAFT, IDLER (SIDE PLATE)	M				
					E-IA-7418142-0-0	PLATE, SIDE	M				
16	C-IA-7015386-0-0 B-MD-7420337-0-0	EIA CABLE ASSY. PLATE, EIA CONN.	E/M M		C-MD-7420024-0-0	CLAMP, 5/8 SHAFT	M				
					B-MD-7412535-0-0	ADAPTER, LINE FEED	M				
					C-MD-7414433-0-0	SCREW, TRACTOR LOCK	M				
					D-MD-7417937-0-0	BAR, PRINT	M				
17	B-DD-LA12X-AL	20 MA OPTION KIT (LA120)	E/M		C-IA-7420025-0-0	RETAINER, 5/8 SHAFT	M				
					B-MD-7419421-0-0	SPACER, D.C. MOTOR	M				
					C-MD-7419394-0-0	SHAFT, CARRIAGE 5/8	M				
					D-MD-7418139-0-0	SHAFT, CARRIAGE 1/2	M				
18	D-IA-7015581-0-0 E-PS-1214562-0-0 E-MD-7411116-0-0	HOUSING ASSY. HOUSING (LA120) HOUSING (LA36)	M M M		D-AD-7011446-0-0	RIBBON DRIVE ASSY.	M				
					D-MD-7411113-0-0	BRACKET, RIBBON DRIVE	M				
					C-MD-7411084-0-0	ROD, END	M				
19	E-AD-7014533-0-0 A-PL-7014533-0-0 E-AD-7015389-0-0 C-AD-7010001-0-0 B-MD-7411439-0-0 B-MD-7411103-0-0 B-MD-7411108-0-0	PRINTER MECHANISM ASSY. PRINTER MECHANISM ASSY. (PL) STEPPING MOTOR ASSY. STRAP, GROUND PIVOT, LOWER PIVOT, RATCHET BUSHING, PLAIN	E/M E/M E/M E/M M M M		B-MD-7411124-0-0	CLAMP, COLLAR	M				
					B-MD-7411123-0-0	WASHER, ECCENTRIC	M				
					C-MD-7413526-0-0	PUSH ROD	M				
					C-MD-7411426-0-0	SPRING, BACK STOP	M				
					A-PS-1212446-0-0	PULLEY, TIMING	M				
					21	B-IA-7411578-0-0 B-MD-7411069-0-0	RIBBON ECCENTRIC W/CLUTCH ECCENTRIC, RIBBON		B-IA-7411578-0-0	RIBBON ECCENTRIC W/CLUTCH	M
									B-MD-7411069-0-0	ECCENTRIC, RIBBON	M

TYPE: E ELECTRICAL
M MECHANICAL
E/M ELECTRO/MECHANICAL



TITLE LA120 UNIT ASSY.

SHEET 5 OF 7

SIZE CODE B DD

NUMBER LA120-0

REV F

17

FIND NO.	DRAWING NO.	DESCRIPTION	TYPE	FIND NO.	DRAWING NO.	DESCRIPTION	TYPE	
22	D-AD-7015511-0-0	ADAPTER ASSY.	M	29	E-AD-7017626-0-0	RIBBON CHASSIS ASSY.	M	
	E-MD-7420634-0-0	ADAPTER	M		D-IA-7417870-0-0	CHASSIS, RIBBON	M	
	B-MD-7420293-0-0	SPRING, FRONT BEARING	M		C-MD-7411090-0-0	SPRING, MAIN PAWL	M	
	B-MD-7420641-0-0	SPRING CARRIAGE	M		C-MD-7411105-0-0	SPRING, UPPER PAWL	M	
	B-MD-7411115-0-0	SHAFT, IDLER CARRIAGE	M		D-MD-7411048-0-0	DRIVER SPOOL	M	
					D-MD-7411432-0-0	RATCHET, WHEEL	M	
					B-IA-7411405-0-0	DISK, FRICTION	M	
					B-MD-7411098-0-0	COLLAR, SIDE PLATE	M	
					B-MD-7411103-0-0	PIVOT, RATCHET	M	
23	D-AD-7015546-0-0	GAP LEVER ADJUSTMENT ASSY.	M		B-MD-7411061-0-0	WASHER, RATCHET	M	
	C-MD-7420633-0-0	BEARING TUBE (EXTRUDED)	M		D-MD-7411058-0-0	INTERPOSER	M	
	B-MD-7420422-0-0	BEARING	M		C-MD-7411419-0-0	GUIDE SHOE	M	
	D-MD-7420736-0-0	LEVER, GAP ADJUSTMENT	M		D-MD-7411060-0-0	SENSOR, REVERSE	M	
	B-MD-7420605-0-0	RESERVOIR, OIL	M		C-MD-7411087-0-0	SPRING, INTERPOSER	M	
					B-MD-7412976-0-0	CAP, STAND OFF-SPOOL	E/M	
					C-IA-7012781-0-0	SWITCH, ROTARY ASSY.	M	
					C-MD-7418875-0-0	PLATE, SWITCH	M	
					C-MD-7412977-0-0	STANDOFF, SPOOL RIBBON	M	
24	C-IA-7411577-0-0	RIBBON IDLER CARRIAGE W/BUSHING	M		B-MD-7416620-0-0	RETAINING LINE, SPECIAL	M	
	C-MD-7411102-0-0	IDLER, CARRIAGE RIBBON	M		D-IA-7011151-0-0	FORM CONTROL CABLE ASSY.	M	
					A-DC-7412552-0-0	LABEL VPU SWITCH	M	
					A-DC-7416535-0-0	DECAL PARITY SWITCH	M	
					D-MD-7424154-0-0	RIBBON TENSION SPRING		
					E-MD-7424155-0-0	SPRING RETAINING BRACKET		
25	D-AD-7009694-0-0	IDLER GEAR ASSY.	M					
	B-MD-7411420-0-0	BRACKET, GEAR	M	30	E-AD-7009697-0-0	RATCHET BASE ASSY.	M	
	C-MD-7416219-0-0	STAND OFF GEAR	M		D-MD-7411054-0-0	RATCHET, UPPER BASE	M	
					B-MD-7411063-0-0	PAWL, PIVOT	M	
26	B-DD-7015085-0	PRINT HEAD ASSY.	E/M					
27	D-IA-7015388-0-0	SERVO MOTOR ASSY.	E/M		31	C-IA-7009695-0-0	RATCHET BASE W/ANCHOR	M
	D-MD-7416402-0-0	CLAMP, PULLEY	M			D-MD-7411055-0-0	BASE, RATCHET	M
						B-MD-7411104-0-0	ANCHOR, SPRING	M
28	C-IA-7011576-0-0	IDLER, RIBBON FRAME	M		32	D-IA-7009681-0-0	MAIN PAWL W/ANCHOR	M
	D-MD-7411085-0-0	IDLER, FRAME RIBBON	M			D-MD-7411059-0-0	PAWL, MAIN	M
						B-MD-7411104-0-0	ANCHOR, SPRING	M

TYPE: E ELECTRICAL
M MECHANICAL
E/M ELECTRO/MECHANICAL

digital

TITLE LA120 UNIT ASSY.

SHEET 6 OF 7

SIZE CODE B DD

NUMBER LA120-0

REV F

214

FIND NO.	DRAWING NO.	DESCRIPTION	TYPE	FIND NO.	DRAWING NO.	DESCRIPTION	TYPE
33	D-IA-7011151-0-0	FORM CONTROL CABLE ASSY.	E/M				
34	D-CS-5411663-0-1	6 LPI FORM CONTROL	E/M				
35	A-SP-3700131-00	PACKAGING INSTRUCTIONS	M				
	A-PS-9905651-0-0	SKID, WOOD	M				
	A-PS-9905601-00	TUBE, STITCHED	M				
	A-PS-9905639-0-0	PAD WITH FORM (LA36/LA35 ONLY)	M				
	A-PS-9905651-01	BRACE, WOOD	M				
	9009290-03	BOLT, HEX-HEAD 3/8-16 x 3	M				
	A-PS-3612520-0-0	TAG, CAUTION	M				
	A-PS-9009634-0-0	TAPE, STAIN RESISTANT	M				
	A-PS-9007032-0-0	TIE, CABLE PANDUIT	M				
	A-PS-9905734-02	STRAPPING, POLYPROPYLENE	M				
	A-PS-9008319-0-0	WASHER, FLAT	M				
	A-PS-9905129-33	BAG, POLY	M				
36	B-DD-H7150-0	H7150 POWER SUPPLY	E/M				

TYPE: E ELECTRICAL
M MECHANICAL
E/M ELECTRO/MECHANICAL



TITLE LA120 UNIT ASSY.

SHEET 7 OF 7

SIZE CODE
B DD

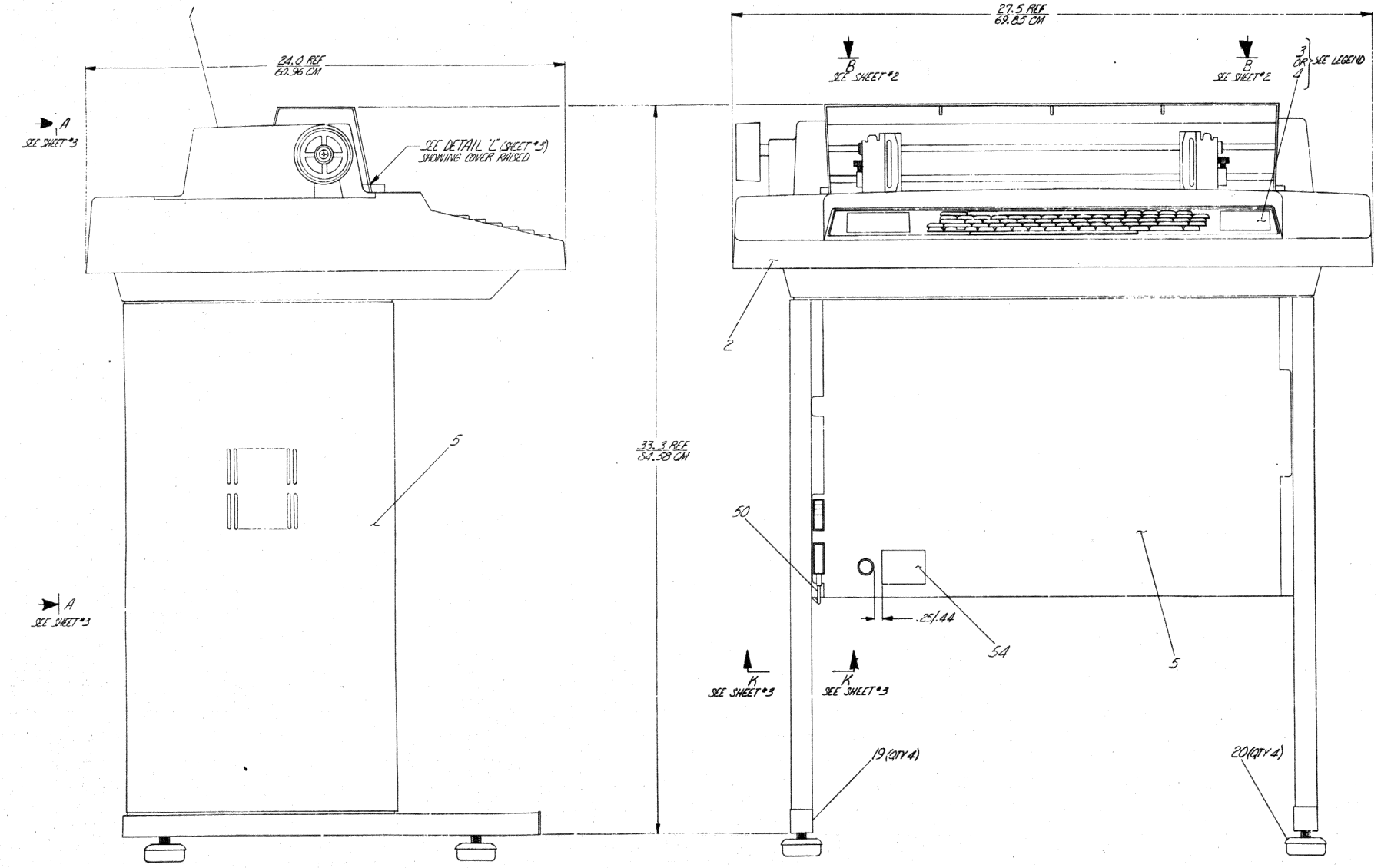
NUMBER
LA120 - 0

REV
F

THIS DRAWING AND INFORMATION HEREON ARE THE PROPERTY OF THE UNITED STATES GOVERNMENT AND ARE LOANED TO YOU BY THE UNITED STATES GOVERNMENT. IT IS TO BE RETURNED TO THE UNITED STATES GOVERNMENT AND NOT TO BE REPRODUCED OR TRANSMITTED IN ANY FORM OR BY ANY MEANS, ELECTRONIC OR MECHANICAL, INCLUDING PHOTOCOPYING, RECORDING, OR BY ANY INFORMATION STORAGE AND RETRIEVAL SYSTEM.

NUMBER	VARIATION
LA120-AA	DIAGNOSTIC TERMINAL, NO NUMERIC PAD, NO POWER, E.T.A. INTER- FACE, 115 V, 60 HZ. (2500 OHM)
LA120-BA	DIAGNOSTIC TERMINAL, NUMERIC PAD, E.T.A. INTERFACE, 115 V, 60 HZ. (2500 OHM)
LA120-DA	UNIVERSAL POWER SUPPLY, 115/230 VAC, 50/60 HZ., E.T.A. INTERFACE, NUMERIC PAD
LA120-GA	UNIVERSAL POWER SUPPLY, 115/230 VAC, 50/60 HZ., E.T.A. INTERFACE, NO NUMERIC PAD
LA120-RE	ITEMS 59 & 63 NOT REQUIRED ON RE VARIATION

- NOTES:
- REFER TO D-20-LA120-B-2 FOR INTER-CONNECTING DIAGRAM.
 - ADHESIVE SURFACES FOR ALL ADHESIVE BACKED (PRESSURE SENSITIVE) LABELS AND CABLE CLAMPS MUST BE CLEAN AND DRY BEFORE APPLICATION.
 - ELECTRICAL DATA LABEL (ITEM #57) TO BE PRE-PRINTED WITH THE FOLLOWING INFORMATION:
- | MODEL | VOLTS | AMPS | Hz | PH | WIRE'S |
|----------|-------|------|----|----|--------|
| LA120-AA | 115 | 3.0 | 60 | 1 | 5 |
| LA120-BA | 115 | 3.0 | 60 | 1 | 5 |
- SEE SHEET 4 FOR VARIATIONS APPLICABLE TO HT50 UNIVERSAL POWER SUPPLY.
 - ITEM 60 TO BE INSTALLED ON ITEM #5 PRIOR INSTALLATION OF CABLE CLAMPS.
 - ITEM 83, LABEL CARTON FCC IS REF ON PKG INSTRUCTIONS P/N 3700131-00.

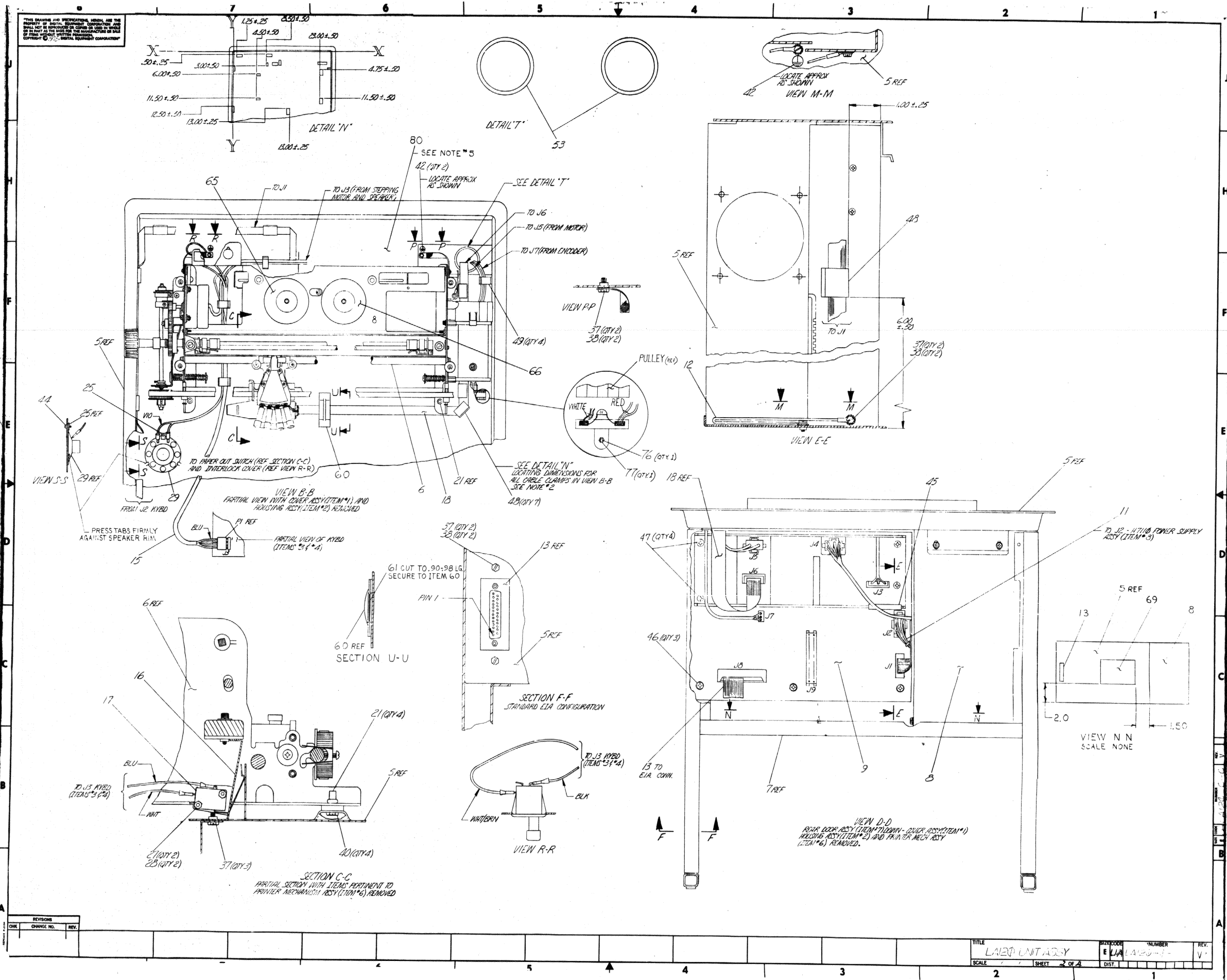


REV	DESCRIPTION	DATE	BY	CHKD
1	LA120-PN128 A			
2	H. RASHMUSSEN			
3	B. O'CONNELL			
4	J. BITTO			
5	R. O'CONNELL			
6	J. BITTO			
7	R. O'CONNELL			
8	J. BITTO			
9	R. O'CONNELL			
10	J. BITTO			
11	R. O'CONNELL			
12	J. BITTO			
13	R. O'CONNELL			
14	J. BITTO			
15	R. O'CONNELL			
16	J. BITTO			
17	R. O'CONNELL			
18	J. BITTO			
19	R. O'CONNELL			
20	J. BITTO			
21	R. O'CONNELL			
22	J. BITTO			
23	R. O'CONNELL			
24	J. BITTO			
25	R. O'CONNELL			
26	J. BITTO			
27	R. O'CONNELL			
28	J. BITTO			
29	R. O'CONNELL			
30	J. BITTO			
31	R. O'CONNELL			
32	J. BITTO			
33	R. O'CONNELL			
34	J. BITTO			
35	R. O'CONNELL			
36	J. BITTO			
37	R. O'CONNELL			
38	J. BITTO			
39	R. O'CONNELL			
40	J. BITTO			
41	R. O'CONNELL			
42	J. BITTO			
43	R. O'CONNELL			
44	J. BITTO			
45	R. O'CONNELL			
46	J. BITTO			
47	R. O'CONNELL			
48	J. BITTO			
49	R. O'CONNELL			
50	J. BITTO			

CAUTION: SEE SHEET PARTS LIST
EXISTS. SEE 42-34130-D-DBP

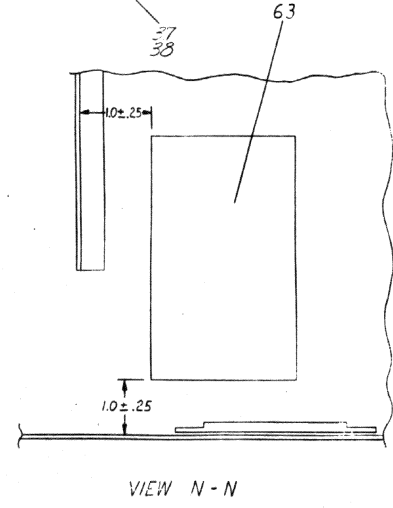
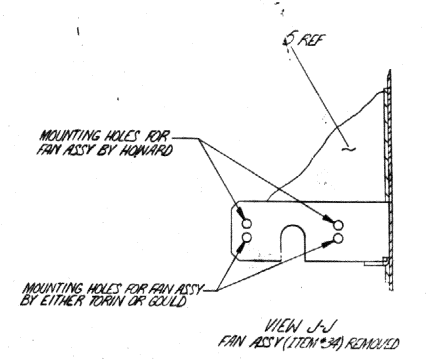
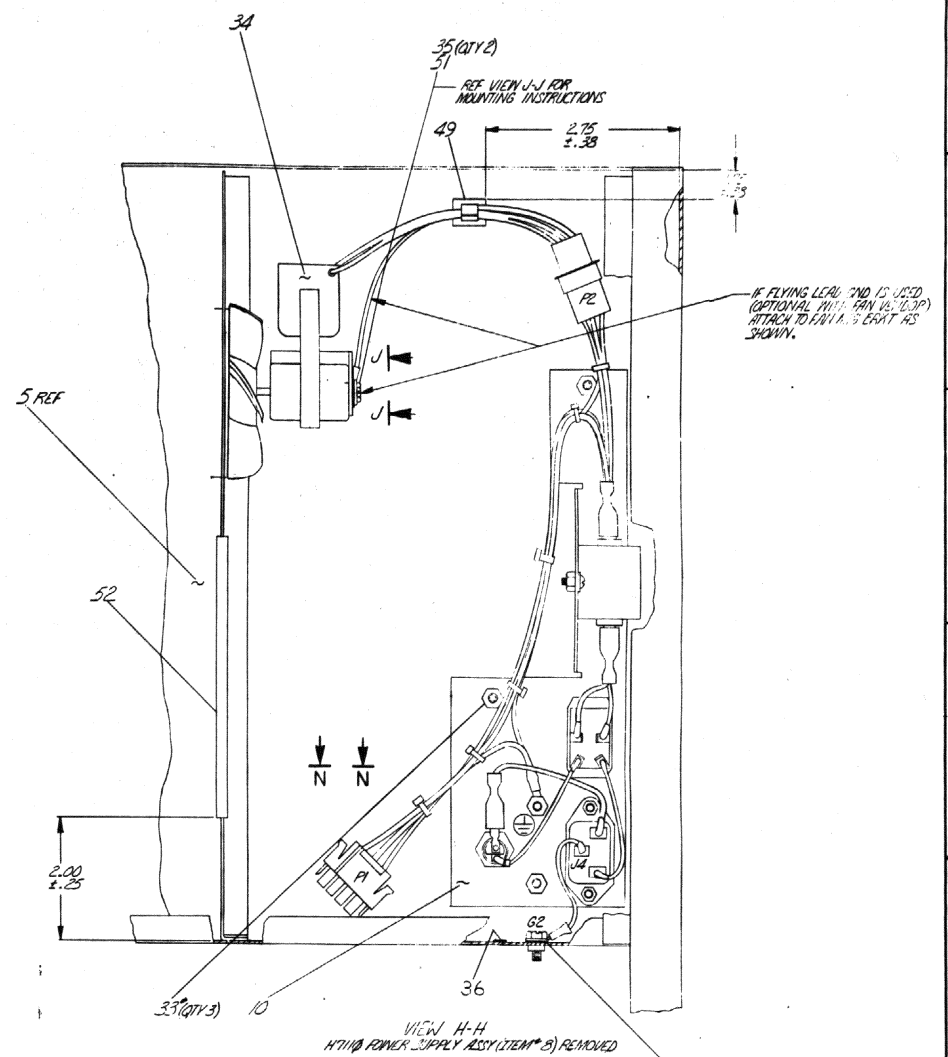
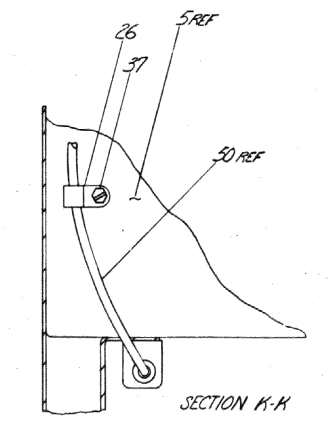
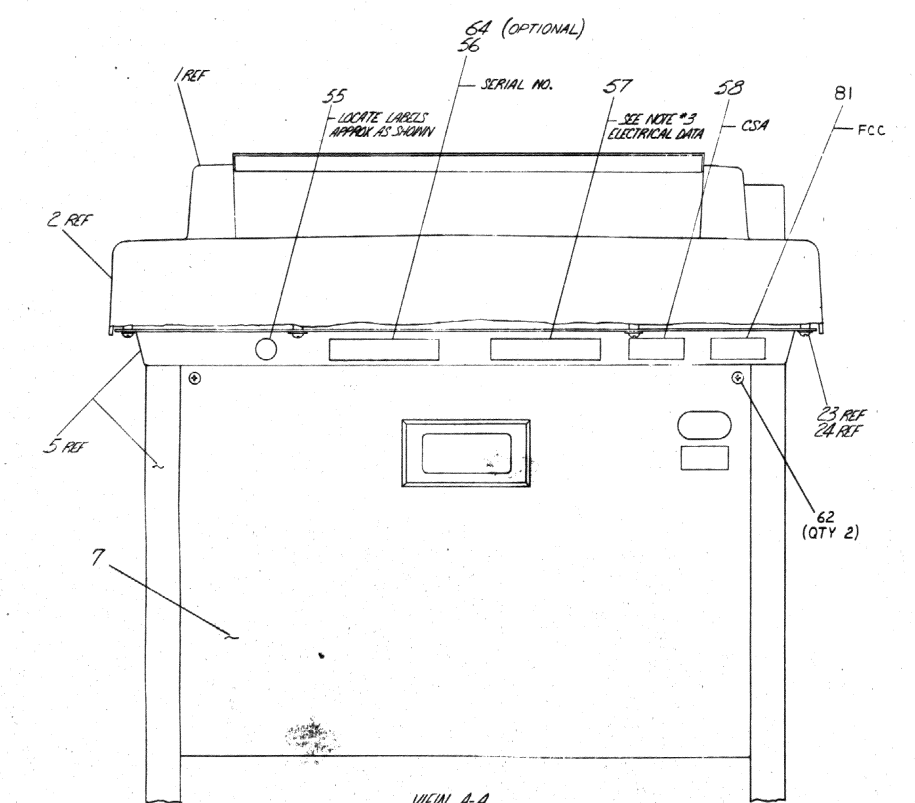
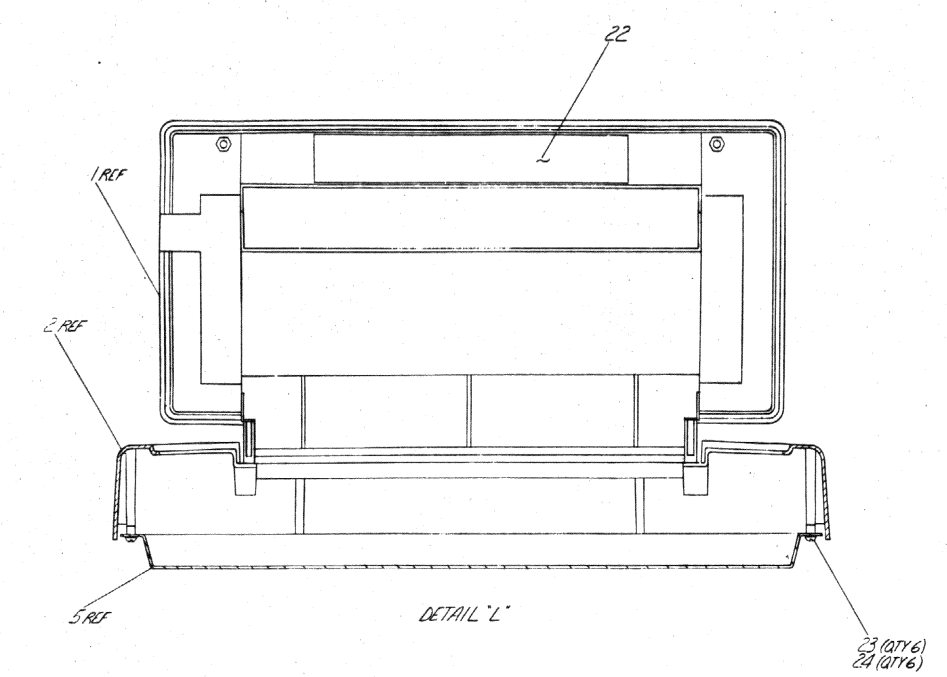
DESCRIPTION	DWG. PART NO.	ITEM NO.
UNLESS OTHERWISE SPECIFIED DIMENSIONS ARE IN INCHES		
ANGLE		
CLASS OF		
ACCURACY		
CHECK ONE		
SURFACE QUALITY IN		
MEDIUM		
PREFERRED		
THIRD ANGLE PROJECTION		
DATE		
CHKD BY		
ENGR BY		
PROJ ENG		
PROD BY		
DO NOT SCALE DWG		
NEXT HIGHER ASSY.		
MATERIAL		
SCALE		
FINISH		
SIZE		
CODE		
NUMBER		
REV		
E LA120-0-0		

THIS DRAWING AND SPECIFICATIONS HEREAFTER ARE THE PROPERTY OF THE GENERAL ELECTRIC COMPANY AND SHALL NOT BE REPRODUCED OR USED IN WHOLE OR IN PART AS THE BASIS FOR THE MANUFACTURE OR SALE OF ITEMS WITHOUT WRITTEN PERMISSION OF THE GENERAL ELECTRIC COMPANY.



REVISIONS		
CHG	CHANGE NO.	REV.

THIS DRAWING AND SPECIFICATIONS HEREBY ARE THE PROPERTY OF THE UNITED STATES GOVERNMENT AND SHALL NOT BE REPRODUCED OR COPIED IN WHOLE OR IN PART AS THE BASIS FOR THE MANUFACTURE OF THIS OR OTHER EQUIPMENT WITHOUT PERMISSION OF THE UNITED STATES GOVERNMENT.



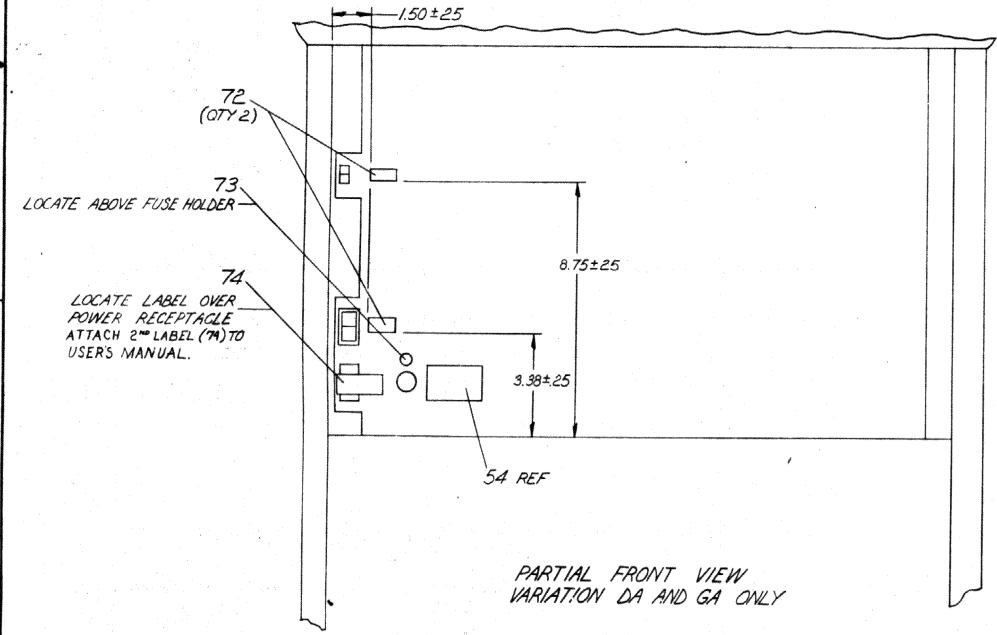
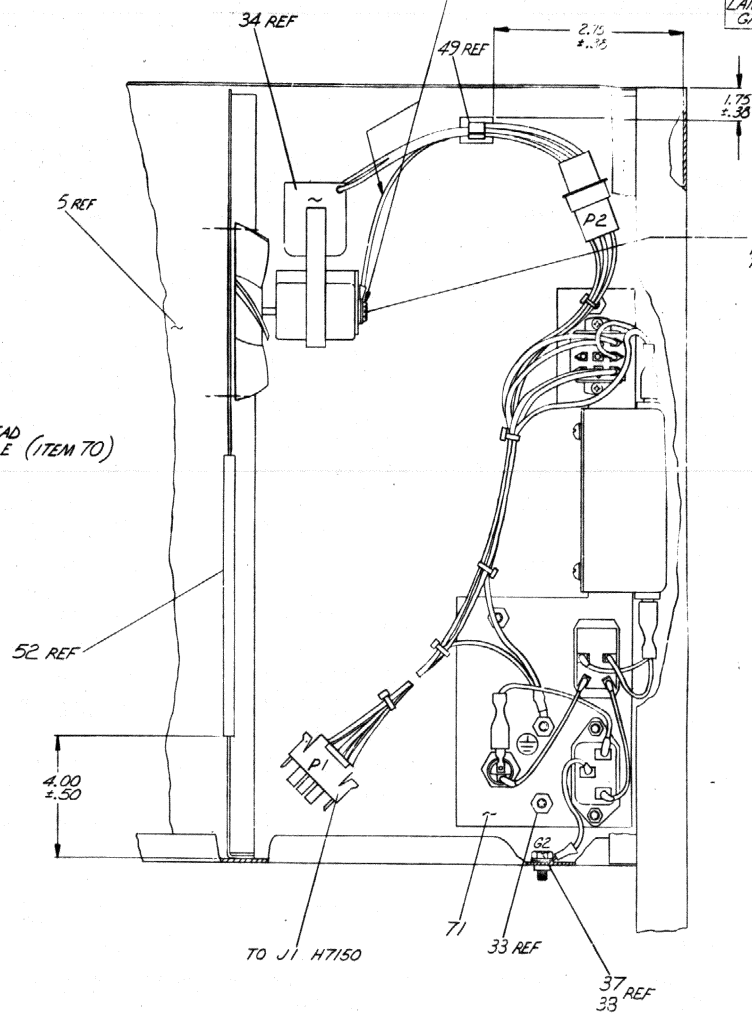
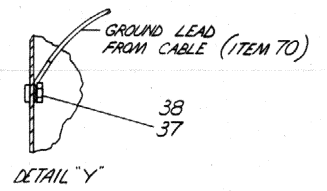
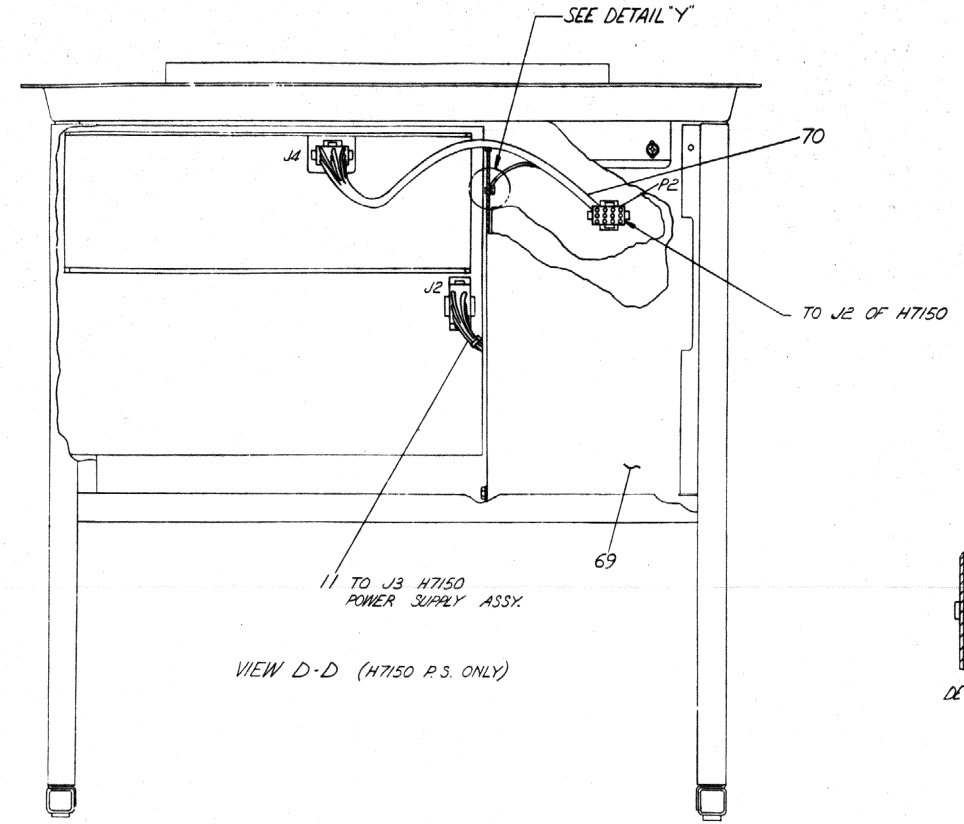
REV	CHG	DATE	BY	CHKD

TITLE	LA120 UNIT ASSY	REV	1
SCALE	2	SHEET	2 OF 2
NO.	E1-LA120-0-0	DIST.	

THIS DRAWING AND SPECIFICATIONS HEREBY ARE THE PROPERTY OF MILITARY EQUIPMENT CORPORATION AND SHALL NOT BE REPRODUCED OR COPIED OR USED IN WHOLE OR IN PART AS THE BASIS FOR THE MANUFACTURE OF THIS OR OTHER EQUIPMENT WITHOUT WRITTEN PERMISSION OF MILITARY EQUIPMENT CORPORATION.

ELECTRICAL DATA LABEL (ITEM 57) TO BE PREPRINTED WITH THE FOLLOWING INFORMATION:

MODEL	VOLTS	HZ	PH
LA120	115	60	1
DA	230	3	50
LA120	115	60	1
GA	230	3	50



REV.	CHG. NO.	REV.

TITLE	LA120 UNIT ASSY	NUMBER	1
SCALE	SHEET 4 OF 4	DIST.	

LINE	ITEM	DOCUMENT NUMBER	PART NUMBER	DESCRIPTION	QUANTITY PER VARIATION				
					AA	BA	DA	GA	RE
1	1	D-IA-7010758-0-0	7010758-00	COVER ASSY DOC LA180/120	1	1	1	1	1
2	2	D-IA-7015581-0-0	7015581-00	HOUSING ASSY,LA120	1	1	1	1	1
3	3	E-AD-7015276-0-0	7015276-00	KEYBOARD BEZEL ASSY	1	-	-	1	-
4	4	E-AD-7015276-0-0	7015276-01	KEYBOARD BEZEL	-	1	1	-	-
5	5	E-IA-7015152-0-0	7015152-00	FRAME ASSY	1	1	1	1	1
6	6	E-AD-7014533-0-0	7014533-00	PRINTER MECHANISM LA120	1	1	1	1	1
7	7	D-AD-7016471-0-0	7016471-00	DOOR,LA120	1	1	1	1	1
8	8	E-UA-H7110-0-0	H7110-00	LA120 PS, 115/230VAC	1	1	-	-	1
9	9	E-UA-M7081-0-0	M7081-00	PRINTER LOGIC AND POWER BOARD	1	1	1	1	1
10	10	D-IA-7015168-0-0	7015168-00	POWER ENTRY BRKT ASSY (CV)	1	1	-	-	1
11	11	D-IA-7015408-0-0	7015408-00	LOGIC POWER CABLE ASSY	1	1	1	1	1
12	12	C-IA-7015552-0-0	7015552-00	WIRE, GROUND PWR SUPPLY CHASSIS	1	1	1	1	1
13	13	C-IA-7015386-0-0	7015386-0J	EIA CABLE (LA120)	1	1	1	1	1
14	14	A-SP-3700131-0-0	3700131-00	PACKAGING INSTRUCTIONS DECWRITER	1	1	1	1	1
15	15	E-IA-7015387-0-0	7015387-00	SWITCHES HARNESS ASSY	1	1	1	1	1
16	16	D-IA-7412158-0-0	7412158-00	GUIDE PAPER (LA180-P)	1	1	1	1	1
17	17	B-MD-7412424-0-0	7412424-00	PAPER OUT SWITCH	1	1	1	1	1
18	18		1700107-01	CABLE,ASSY,24 COND, 16POS	1	1	1	1	1
19	19		1211067-02	TUBING CLOSURE ID#15GAUGE	4	4	4	4	4
20	20		9009685-00	FOOT, LEVELER, 1-7/16 LG.	4	4	4	4	4
21	21		9006896-00	NUT,WELL 10-32 BR IN	4	4	4	4	4
22	22		7416178-00	DECAL (LA180)	1	1	1	1	1
23	23		9009630-01	SCREW,TAPPING,TYPE BF,PAN ,PHIL,	6	6	6	6	6
24	24		9006653-00	WASHER, FLAT, .375 O.D, X .156 I	6	6	6	6	6
25	25		9009301-00	NUT, SPEED, 6-32X,44LGX,28WIDE X	1	1	1	1	1
26	26		9007082-00	CLAMP,CABLE,SCREW MTD. 5/16"	1	1	1	1	1
27	27		9008033-01	SCREW,PAN,PHIL 4-40X 9/16 SS	2	2	2	2	2
28	28		9006557-00	NUT,KEP , 4-40X 1/4 AF	3	3	3	3	3
29	29		1215050-00	SPEAKER,2.5"DIA,80HM,ROUND	1	1	1	1	1
30	30	A-EK-LA120-R-G		REF,CARD,OPERATOR LA120	1	1	1	1	1

REVISION HISTORY			BASIC PART NO: LA120		DRN: D. BRIDGERS		DATE: 11-JAN-80		D I G I T A L			
ENG	ECO NUMBER	REV	SECTION A OF A	CHK'D:	L. GILBERT	DATE:	11-JAN-80	TITLE PARTS LIST				
---	INITIAL	T	SECTION, VARIATION INDEX	CHK'D:	L. GILBERT	DATE:	11-JAN-80	LA120 UNIT ASSY				
JB	LA120-PN133	U	(A) AA,BA,DA,GA,RE	DES.ENG.:	H. RASMUSEN	DATE:	07-JUL-78	DOCUMENT NUMBER				
			(B)	RESP.ENG.:	P. NELSON	DATE:	07-JUL-78	SIZE:	CODE:	NUMBER	REV	
			(C)	MFG.ENG.:	J. JOYCE	DATE:	07-JUL-78	K	PL	LA120-0-000	U	
			(D)	ASSEMBLY NUMBER:	E-UA-LA120-0-0	TOP DOCUMENT NUMBER:	B-DD-LA120-0-0	FILE NAME:	Z120U.PLS		EDIT #	
			(E)								0	
			(F)									

"THIS DRAWING AND SPECIFICATIONS HEREIN, ARE THE PROPERTY OF DIGITAL EQUIPMENT CORPORATION AND SHALL NOT BE REPRODUCED OR COPIED OR USED IN WHOLE OR IN PART AS THE BASIS FOR THE MANUFACTURE OR SALE OF ITEMS WITHOUT WRITTEN PERMISSION. COPYRIGHT (C) 1980, DIGITAL EQUIPMENT CORPORATION "

LINE	ITEM	DOCUMENT NUMBER	PART NUMBER	DESCRIPTION	QUANTITY PER VARIATION				
					AA	BA	DA	GA	RE
31	31		9006453-00	SCREW, SEMS, SLOTTED HEX HEAD 6-	4	4	4	4	4
32	32	A-EK-LA120-U-G		GUIDE, USER LA120	1	1	1	1	1
33	33		9006563-00	NUT, KEP, 8-32 X 1 1/32 AF	3	3	3	3	3
34	34		1212581-00	FAN, 35CFM, 115VAC, 3" DIA	1	1	1	1	1
35	35		9009985-00	SCREW, SEMS, SLOT, HEX 10-32X 5/16		2	2	2	2
36	36		3612680-03	DECAL, GROUND SIGN W/CIRCLE, WHT		1	1	1	1
37	37		9009988-08	SCREW, SEMS, SLOTTED HEX HD 8-32	12	12	12	12	12
38	38		9008072-00	WASHER, LOCK, EXTERNAL TOOTH #8	8	8	8	8	8
39	39	D-IA-7016747-0-0	7016747-02	ASSY, KEYBOARD COVER CHARCOAL DEC	-	-	-	-	1
40	40		9009988-04	SCREW, SEMS, SLOTTED HEX HD 10-	4	4	4	4	4
41	41	D-UA-5414001-0-0	5414001-00	LA120 KEYBOARD TERMINATOR	-	-	-	-	1
42	42		3612680-01	DECAL, GROUND SIGN PER 386 *	3	3	3	3	3
43	43		1214563-00	BEZEL, PLASTIC MOLDED FOR KEYBD A	-	-	-	-	1
44	44		9006020-01	SCREW, PAN, PHIL 6-32X 1/4 SS	1	1	1	1	1
45	45		9009718-02	GROMMET, EXTRUDED, 2-3/4 LONG	1	1	-	-	1
46	46		9009988-12	SCREW, SEMS, SLOT, HEX HD 6-32X .2	3	3	3	3	3
47	47		9009988-13	SCREW, SEMS, SLOT, HEX HD 6-32X .4	4	4	4	4	4
48	48		9009636-00	CLAMP, CABLE, FOR FLAT CABLE	8	8	8	8	8
49	49		9008340-00	CLIP, PVC HARNESS, DESK LASP, 1/2"W	5	5	5	5	5
50	50		1700083-07	PWR CORD, TERM, 75IN, 16-3, 125V 13	1	1	1	1	1
51	51		9007651-00	WASHER, LOCK, EXTERNAL TOOTH #10	1	1	1	1	1
52	52		9009718-04	GROMMET, EXTRUDED, 5, 5LONG	1	1	1	1	1
53	53		9000021-02	BUSHING, SNAP, NYLON 2 MGT HOLE	2	2	2	2	2
54	54		3615811-00	LABEL, FUSE WARNING, BLACK FOR LA1	1	1	1	1	1
55	55	A-DC-7416197-0-0	7416197-02	CANCEL (10-8-80, CAROL TAYLOR)	1	1	1	1	1
56	56		3613210-02	LABEL, ELECTRICAL DATA	1	1	1	1	1
57	57		3613210-01	LABEL, ELECTRICAL DATA	1	1	1	1	1
58	58		3613211-00	DECAL, CLEAR PREPRINTED CSA 1-1/4	1	1	1	1	1
59	59		3615918-00	LABEL, SET UP COMMAND, LA120	1	1	1	1	-
60	60		9010096-00	CLIP, FLAT CABLE, MOLDED NYLON, ADH	1	1	1	1	1
61	61		9007834-00	TAPE, DOUBLE COATED, 1/2" WIDE,	1	1	1	1	1
62	62		9009683-01	SCREW, HEX WASHER HD, 8-32X 3/8	2	2	2	2	2
63	63		1212461-00	FOAM, ACOUSTIC, ADH BACK, 3.0X4.5X.	1	1	1	1	-
64	64	A-SP-3613209-0-0	3613209-00	*** THIS ITEM IS NOT USED ***	-	-	-	-	-
65	65		3612153-00	RIBBON, PRINTER, 500"X60' LA180 NY	-	1	1	-	1
66	66		1212008-00	SPOOL, PRINTER RIBBON, LA180, 3.75"	1	1	1	1	1
67	67		7412103-00	PAPER PRPKG 132 COL 147/8W-11LG	-	1	1	-	1
68	68		9905129-03	BAG, POLYETHYLENE, 1-1/2 MIL THK	1	1	1	1	1
69	69		3616786-00	LABEL, ECO STATUS FOR LA120	1	1	1	1	1
70	70	E-UA-H7150-0-0	H7150-00	LA120 P5: +24V 2.4A, -24V 2.8A, +5	-	-	1	1	-
71	71	D-IA-7016537-0-0	7016537-00	CABLE ASSY POWER SUPPLY (POWER)	-	-	1	1	-
72	72	D-IA-7016530-0-0	7016530-00	POWER ENTRY ASSY "SWITCHER"	-	-	1	1	-
73	73		3615759-00	LABEL, VOLTAGE SETTING FOR VT100	-	-	2	2	-
74	74		3616040-00	LABEL, 250V 5A FOR LA120	-	-	2	2	-
75	75		3616157-00	LABEL, CORRECT VOLTAGE SETTING, CA	-	-	1	1	-
76	76		9006011-01	SCREW, PAN, PHIL 4-40X 3/8 SS	1	1	1	1	1
77	77	A-SP-3613209-0-0	3613209-02	*** THIS ITEM IS NOT USED ***	-	-	-	-	-
78	78	A-EK-LA120-U-G		GUIDE, USER LA120	1	1	1	1	1

D	I	G	I	T	A	L	TITLE	SECTION A OF A	SIZE	CODE	DOCUMENT NUMBER	REV
							LA120 UNIT ASSY				LA120-0-DBP	U
									K	PL		

AUTOMATED BY PRTLST,3L(40)

P A R T S L I S T

SHEET A3 OF A3

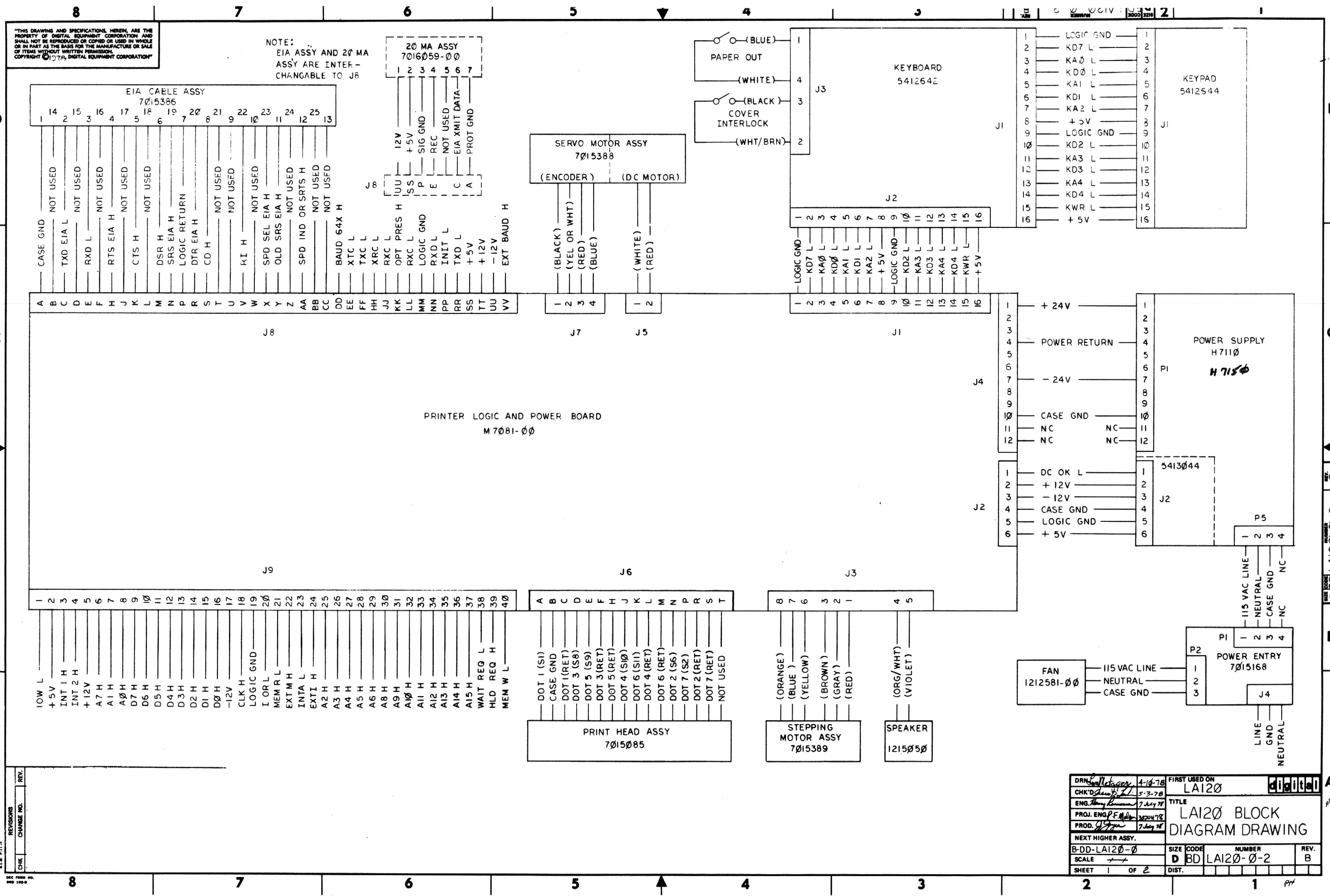
LINE	ITEM	DOCUMENT NUMBER	PART NUMBER	DESCRIPTION	QUANTITY PER VARIATION				
					AA	BA	DA	GA	RE
79	79	A-EK-LA120-R-G	7423859-00	REFERENCE CARD, OPERATOR LA120	1	1	1	1	1
80	80	E-MD-7423859-0-0		ACOUSTIC FOAM	1	1	1	1	1

81 NOTE: 1. ITEM 64 AND ITEM 77 ARE OPTIONAL.

D	I	G	I	T	A	L	TITLE	LA120 UNIT ASSY	SECTION A OF A	SIZE	CODE	DOCUMENT NUMBER	REV
										K	PL	LA120-0-DBP	U

"THIS DRAWING AND SPECIFICATIONS, HEREIN, ARE THE PROPERTY OF DIGITAL EQUIPMENT CORPORATION AND SHALL NOT BE REPRODUCED OR COPIED OR USED IN WHOLE OR IN PART AS THE BASIS FOR THE MANUFACTURE OR SALE OF ITEMS WITHOUT WRITTEN PERMISSION. COPYRIGHT © 1978, DIGITAL EQUIPMENT CORPORATION"

NOTE:
EIA ASSY AND 20 MA ASSY ARE INTER-CHANGABLE TO J8



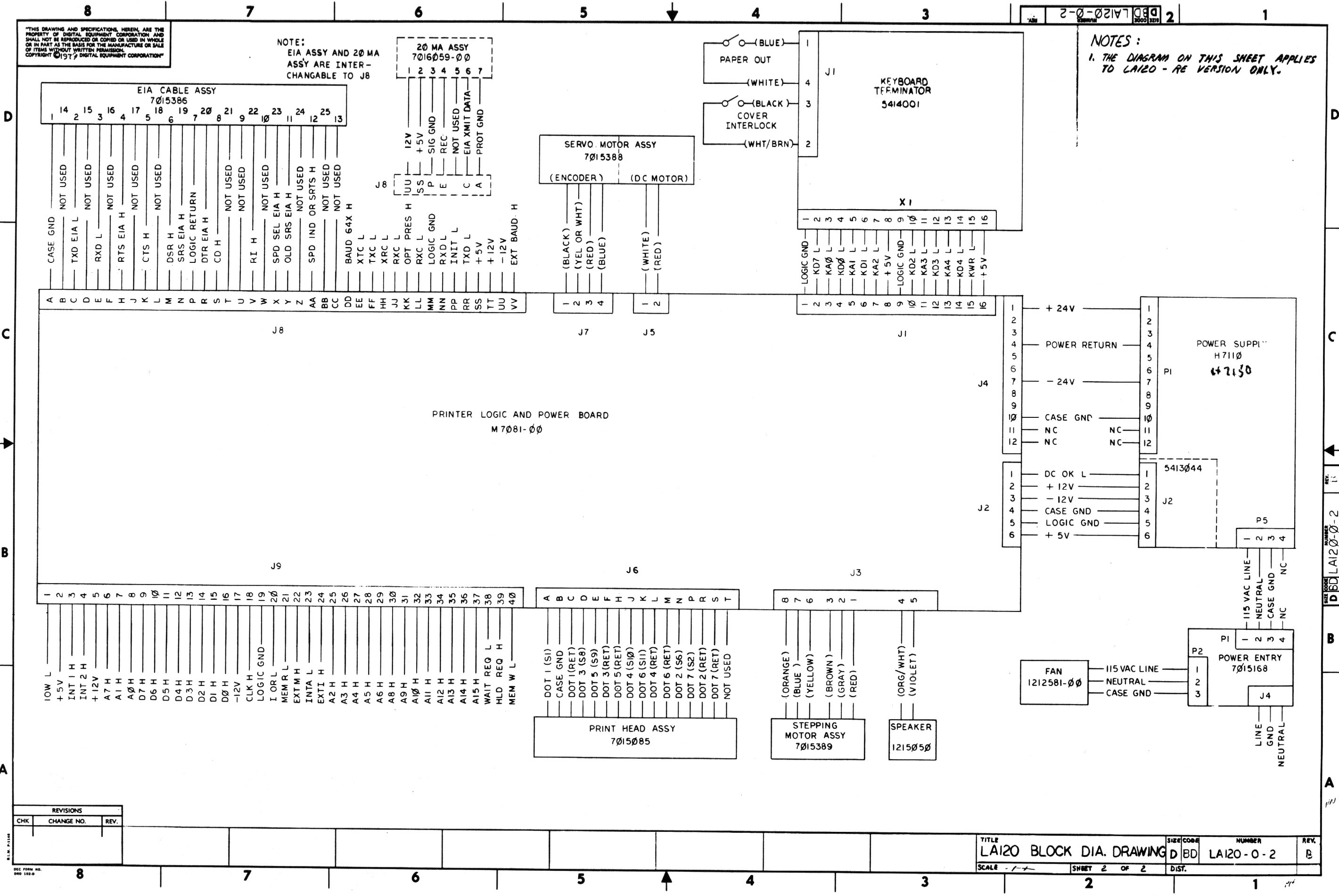
DRN: <i>[Signature]</i> 4-14-78	FIRST USED ON	LA120	DIGITAL
CHK'D: <i>[Signature]</i> 5-3-78	TITLE	LA120 BLOCK DIAGRAM DRAWING	
ENG: <i>[Signature]</i> 7 July 78	PROJ. ENG: <i>[Signature]</i> 7 July 78	PROD. <i>[Signature]</i> 7 July 78	NEXT HIGHER ASSY.
B-DD-LA120-0	SCALE	SIZE	CODE
SHEET 1 OF 2	DIST.	NUMBER	REV. B

REVISIONS	REV.
CHANGE NO.	

"THIS DRAWING AND SPECIFICATIONS HEREIN ARE THE PROPERTY OF DIGITAL EQUIPMENT CORPORATION AND SHALL NOT BE REPRODUCED OR COPIED OR USED IN WHOLE OR IN PART AS THE BASIS FOR THE MANUFACTURE OR SALE OF ITEMS WITHOUT WRITTEN PERMISSION. COPYRIGHT © 1977 DIGITAL EQUIPMENT CORPORATION"

NOTE:
EIA ASSY AND 20 MA ASSY ARE INTER-CHANGABLE TO J8

NOTES:
1. THE DIAGRAM ON THIS SHEET APPLIES TO LA120 - RE VERSION ONLY.

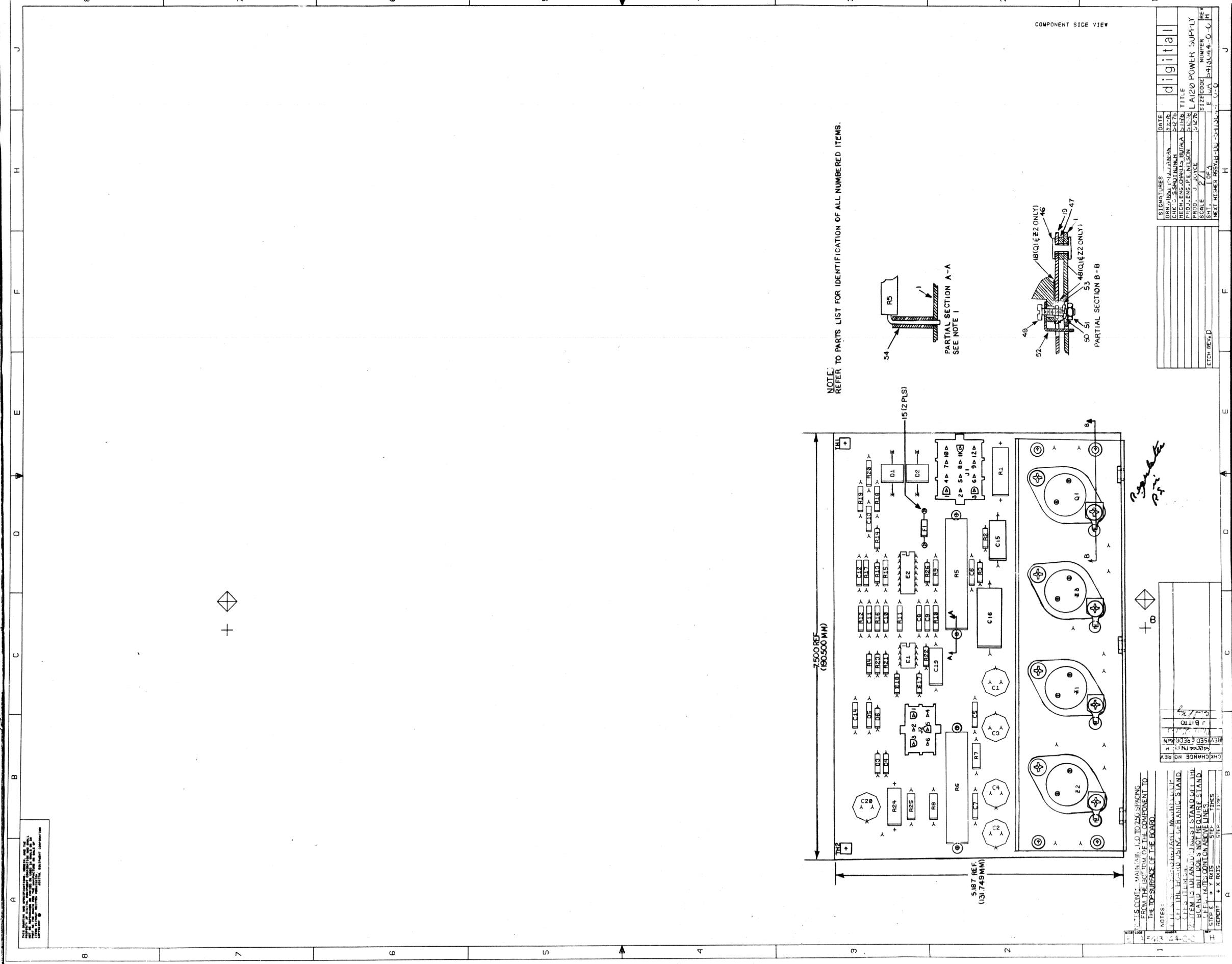


REVISIONS		
CHK	CHANGE NO.	REV.

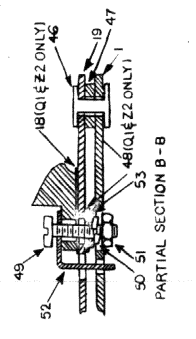
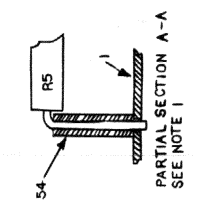
TITLE	LA120 BLOCK DIA. DRAWING	SIZE CODE	D BD	NUMBER	LA120-0-2	REV.	B
SCALE	1:1	SHEET	2 OF 2	DIST.			

REV. 11
D E C L A I 2 0 - 0 - 2

THIS DRAWING IS THE PROPERTY OF THE COMPANY. IT IS TO BE KEPT IN CONFIDENTIALITY AND IS NOT TO BE REPRODUCED OR TRANSMITTED IN ANY FORM OR BY ANY MEANS, ELECTRONIC OR MECHANICAL, INCLUDING PHOTOCOPYING, RECORDING, OR BY ANY INFORMATION STORAGE AND RETRIEVAL SYSTEM. WITHOUT THE WRITTEN PERMISSION OF THE COMPANY.



NOTE: REFER TO PARTS LIST FOR IDENTIFICATION OF ALL NUMBERED ITEMS.



COMPONENT SIDE VIEW

Handwritten signature

PLACES CONT. MAIN TAIL TO 255 SPACING FROM THE BOTTOM OF THE COMPONENT TO THE TOP SURFACE OF THE BOARD.

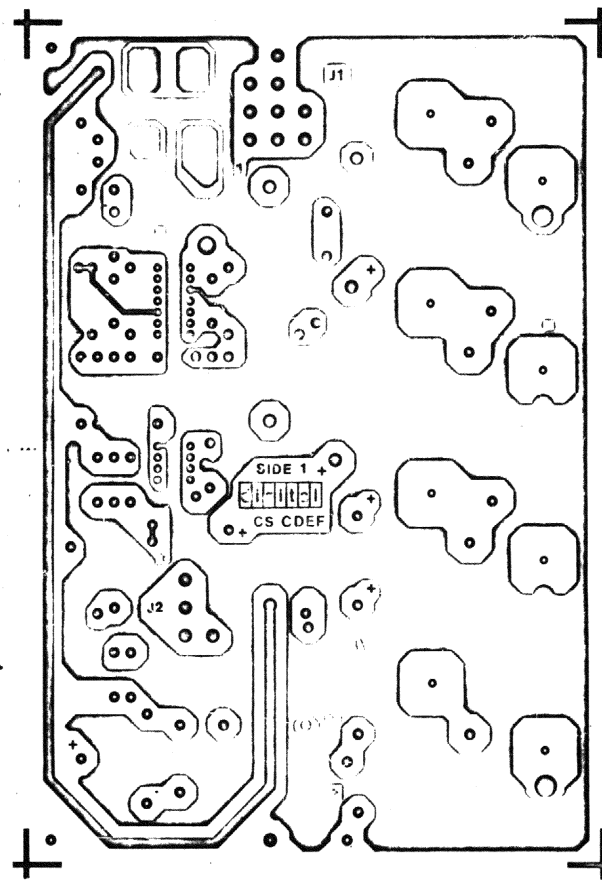
NOTES:
 1. ALL DIMENSIONS ARE UNLESS OTHERWISE SPECIFIED.
 2. ALL DIMENSIONS ARE IN MILLIMETERS.
 3. ALL DIMENSIONS ARE TO THE CENTER OF THE STAND OFF OF THE BOARD UNLESS OTHERWISE SPECIFIED.
 4. ALL DIMENSIONS ON ABOVE LINES.

REP: E + X BY: 15 STEP: 1 TIME: 1

SIGNATURES	DATE	digital
DR. J. J. J. J.	5/2/76	
TECH. ENGINEER		
PROJ. ENG. P. E. NELSON	5/2/76	TITLE
SCALE	2/1	LA120 POWER SUPPLY
EXT. REV. D		STANDARD NUMBER
		U20 81415044-0 0 11

THIS DRAWING AND SPECIFICATIONS, HEREIN ARE THE PROPERTY OF DIGITAL EQUIPMENT CORPORATION AND SHALL NOT BE REPRODUCED OR COPIED OR USED IN WHOLE OR IN PART AS THE BASIS FOR THE MANUFACTURE OR SALE OF ITEMS WITHOUT WRITTEN PERMISSION OF DIGITAL EQUIPMENT CORPORATION.

5013043D
5413044

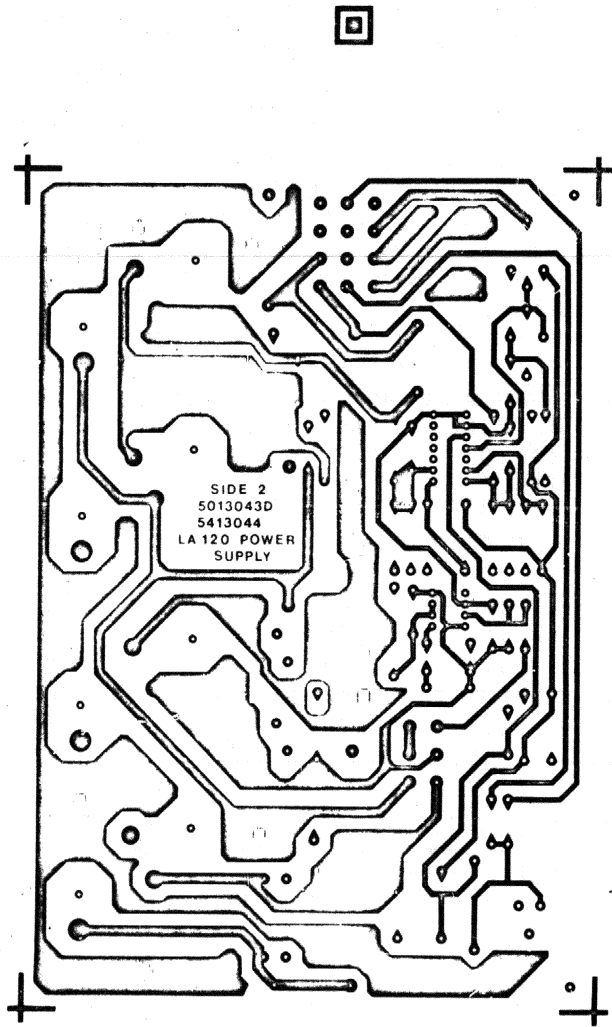


VIEWED FROM SIDE 1

REV	CHANGE NO	REV

DATE: 11/2/73
DRAWN BY: J. J. ...
CHECKED BY: ...
PART NO: 5413044-0 H
REV: 3

ALL DIMENSIONS AND DESIGNATIONS HEREIN ARE THE PROPERTY OF THE EQUIPMENT CONTRACTOR AND SHALL BE KEPT CONFIDENTIAL TO THE USER IN ORDER TO THE MAXIMUM BENEFIT MANUFACTURE OR SALE OF EQUIPMENT BY THE CONTRACTOR.



VIEDED FROM SIDE 2

REVISIONS		
NO.	CHANGE NO.	REV.

LA 120 POWER
3 3

LA 5413044-0-C REV H

LINE ITEM	DOCUMENT NUMBER	PART NUMBER	DESCRIPTION	QTY PER VARIATION	REFERENCE DESIGNATOR
1	E-MD-5013043-0-0	5013043-00	LA120 PWR SUPPLY MAIN, BRD	1	
2		1000075-00	25 MFD 25V +75-10% AL EL	1	C15
3		1001610-00	.01 MFD 50V +80-20% 25U CER	2	C17,C18
4		1005507-00	1 MFD 100V +50-10% AL EL	1	C19
5		1009433-00	190 MFD 12V +75-10% AL EL	1	C16
6		1012607-00	560 MFD 20V+100-10% AL EL	2	C3,C4
7		1012607-04	270 MFD 40V+100-10% AL EL	1	C20
8		1013466-11	.22 MFD 50V +80-20% 25U CER	10	C5,C6,C7,C8,C9,C10,C11,C12,C13, C14
9		1014526-00	180 MFD 40V+100-10% AL EL	2	C1,C2
10		1105796-00	1N 4004 PIV=400 I= 1A D041 SP	2	D3,D4
11		1105873-00	4M5-1AZ1 VZ= 5.1 1% .400W	1	D5
12		1109502-00	1N 4742 VZ= 12.0 10% 1W Y	1	D6
13		1110615-00	MR 752 PIV=200 I=22A A264 SM	2	D1,D2
14		1205747-00	FUSE, SUB-MINI, 5,000A, 125V, A	1	F1
15		1209336-00	JACK, 1LINE	2	
16		1212297-05	MATE-N-LOK 6PIN UNIV HEADER	1	J2
17		1212297-06	MATE-N-LOK 12PIN UNIV HEADER	1	J1
18		1213071-02	INSULATOR,RUBBER SILICONE SM	2	
19		1215217-00	HEAT SINK,TO=3,ALUM	1	
20		1300288-00	270,0 2,0 W10,0 % CC	1	R1
21		1300296-00	330,0 .50 W 5,0 % CC	1	R25
22		1300319-00	470,0 1,0 W 5,0 % CC	1	R24
23		1300365-00	1,0 K .25 W 5,0 % CC	2	R3,R4
24		1300400-00	1,80 K .50 W10,0 % CC	2	R7,R8
25		1300426-00	2,70 K .25 W 5,0 % CC	1	R23
26		1302092-00	220,0 K .25 W 5,0 % CC	2	R13,R14
27		1302124-00	18,0 .25 W 5,0 % CC	1	R2
28		1302465-00	18,0 K .25 W 5,0 % CC	1	R26
29		1303114-00	1,0 K .25 W 1,0 % RN55D-F10	2	R11,R12

REVISION HISTORY		BASIC PART NO: 5413044		DRN:	VIN PARECHANIAN	DATE:	13-MAR-78	D I G I T A L			
ENG:	ECD NUMBER	REV	SECTION A OF A	CHK'D:	T SHETRAWSKI	DATE:	5-APR-78	TITLE PARTS LIST			
---	INIT	C	SECTION VARIATION INDEX					LA120 POWER SUPPLY			
JB	PN001	D	[A] 00								
JB	5413044-PN002	E	[B]								
JB	5413044-PN003	F	[C]	DES,ENG:	CHARLES BUTALA	DATE:	13-MAR-78				
JB	5413044-PN004	H	[D]					DOCUMENT NUMBER			
JB	5413044-PN005	J	[E]	RESP,ENG,:	CHARLES BUTALA	DATE:	13-MAR-78				
			[F]					SIZE CODE NUMBER REV			
			[H]					K	PL	5413044-0-DBP	J
			[J]								
			[K]	MFG,ENG,:	JAMES JOYCE	DATE:	30-MAR-78				
			[L]								
			[M]	ASSEMBLY NUMBER:		TOP DOCUMENT NUMBER:		FILE NAME: EDIT #			
			[N]	E-UA-5413044-0-0		H7110		13044J,PLS 19			

"THIS DRAWING AND SPECIFICATIONS HEREIN, ARE THE PROPERTY OF DIGITAL EQUIPMENT CORPORATION AND SHALL NOT BE REPRODUCED OR COPIED OR USED IN WHOLE OR IN PART AS THE BASIS FOR THE MANUFACTURE OR SALE OF ITEMS WITHOUT WRITTEN PERMISSION, COPYRIGHT (C) 1980, DIGITAL EQUIPMENT CORPORATION "

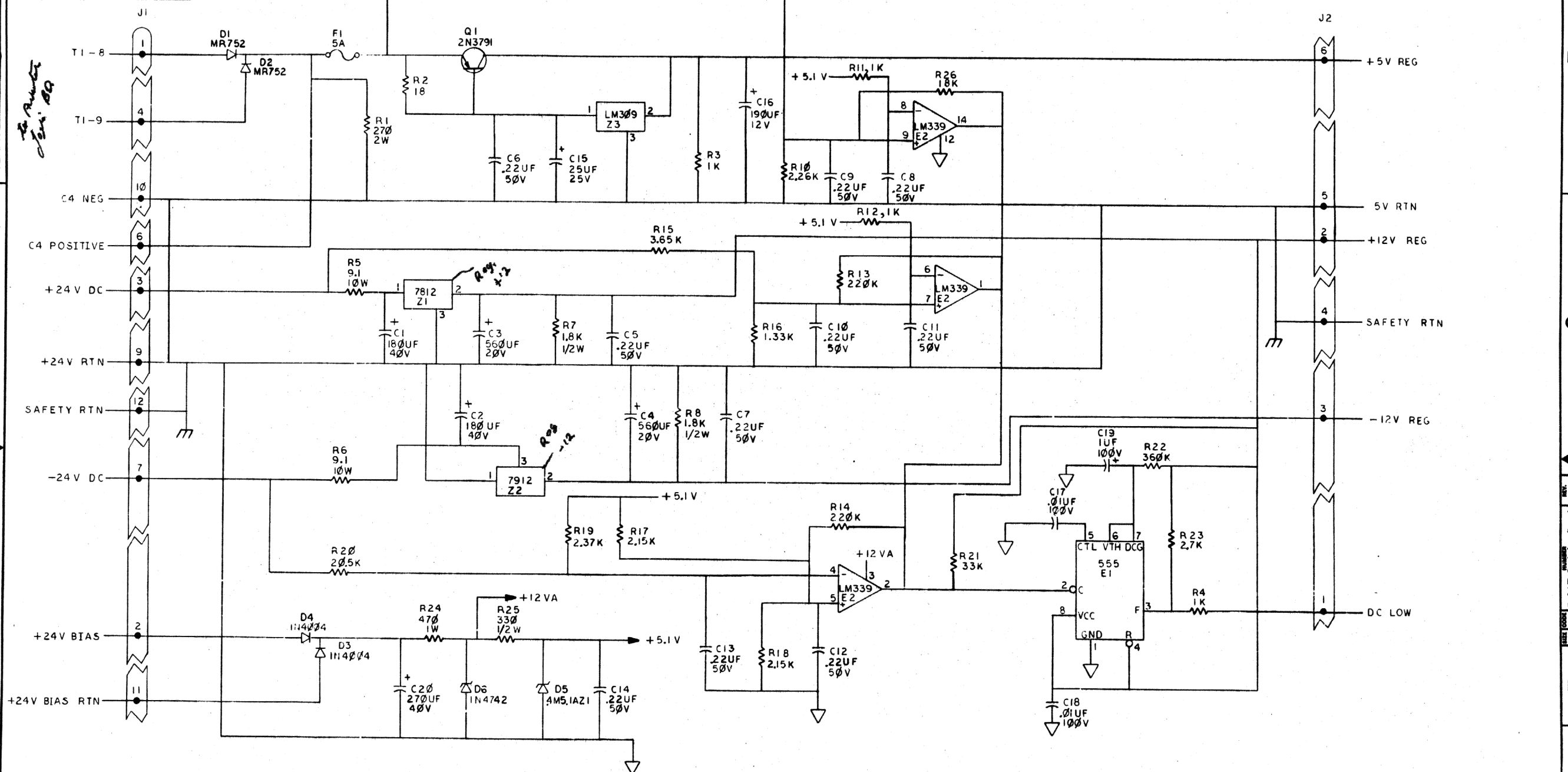
LINE ITEM	DOCUMENT NUMBER	PART NUMBER	DESCRIPTION	QTY PER VARIATION 00	REFERENCE DESIGNATOR
30	30	1304835=00	/REPLACED BY 13-05337=00 PM	1	R15
31	31	1310630=00	1.33 K .25 W 1.0 % RN55D-F10	1	R16
32	32	1310632=00	2.37 K .25 W 1.0 % RN55D-F10	1	R19
33	33	1311653=00	2.15 K .25 W 1.0 % RN55D-F10	2	R17,R18
34	34	1312933=00	367.0 K .25 W 5.0 % CC	1	R22
35	35	1313349=00	33.0 K .25 W 5.0 % CC	1	R21
36	36	1313846=00	2.26 K .25 W 1.0 % RN55D-F10	1	R10
37	37	1314520=00	9.10 10.0 W 5.0 % WW	2	R5,R6
38	38	1315096=00	1.87 K .25 W 1.0 % RN55D-F10	1	R9
39	39	1315097=00	20.50 K .25 W 1.0 % RN55D-F10	1	R20
40	40	1509581=00	2N 3791 PNP 150WC SI 60 30 M	1	Q1
41	41	1910460=00	DEC 309 VOLT REG, FIX +15V	1	Z3
42	42	1911944=00	555CN TIMER, FUNCT, BLOCK	1	E1
43	43	1912048=00	DEC 7812 VOLT REG, FIX +12V	1	Z1
44	44	1912108=00	339 VOLT CMPRTR, QUAD	1	E2
45	45	1914517=00	7912 VOLT REG, FIX -12V	1	Z2
46	46	9006507=00	RIVET, BLIND, .125 DIA X .257 LG	4	
47	47	9006658=00	WASHER, FLAT, .375 O.D, X .144 I	4	
48	48	9006707=00	WASHER, NYLON, FLAT #6 .312 OD	4	
49	49	9007793=01	SCREW, PAN, PHIL 6-32X 9/16 SS	8	
50	50	9007801=00	WASHER, LOCK, S.S. #6	8	
51	51	9008957=00	NUT, HEX , 6-32X 1/4 AF X 3	8	
52	52	9009676=00	TERM LUG 1POS SOLDER	4	
53	53	9006656=00	WASHER, FLAT, .312 O.D, X .156 I	8	
54	54	9009798=00	SPACER, CERAMIC, .186 ODX, .078 ID	4	
55	55	A-SP-3700440=0=0	3700440=00 INSTR PKG MODULE 5413044	REF	
56	56	A-SP-3700438=0=0	3700438=00 INSTR PKG, BULK CARTON 99-06476=	REF	

57 NOTE: 1. FOR INDIVIDUAL FIELD SERVICE/CUSTOMER SPARES SHIPMENTS
 58 NOTE: USE PKG. INSTRUCTIONS A-SP-3700440=0=0, FOR BULK INTERPLANT
 59 NOTE: SHIPMENTS USE PKG. INSTRUCTION A-SP-3700438=0=0,

D I G I T A L				TITLE	LA120 POWER SUPPLY	SECTION A OF A	SIZE	CODE	DOCUMENT NUMBER	REV
							K	PL	5413044-0-DBP	J

"THIS DRAWING AND SPECIFICATIONS, HEREIN, ARE THE PROPERTY OF DIGITAL EQUIPMENT CORPORATION AND SHALL NOT BE REPRODUCED OR COPIED OR USED IN WHOLE OR IN PART AS THE BASIS FOR THE MANUFACTURE OR SALE OF ITEMS WITHOUT WRITTEN PERMISSION. COPYRIGHT © 1978, DIGITAL EQUIPMENT CORPORATION"

NOTES:
1. ALL RESISTORS ARE TO BE 1/4 W UNLESS OTHERWISE NOTED.



REV.	CHG.	BY	DATE
1			
2			
3			
4			
5			
6			
7			
8			

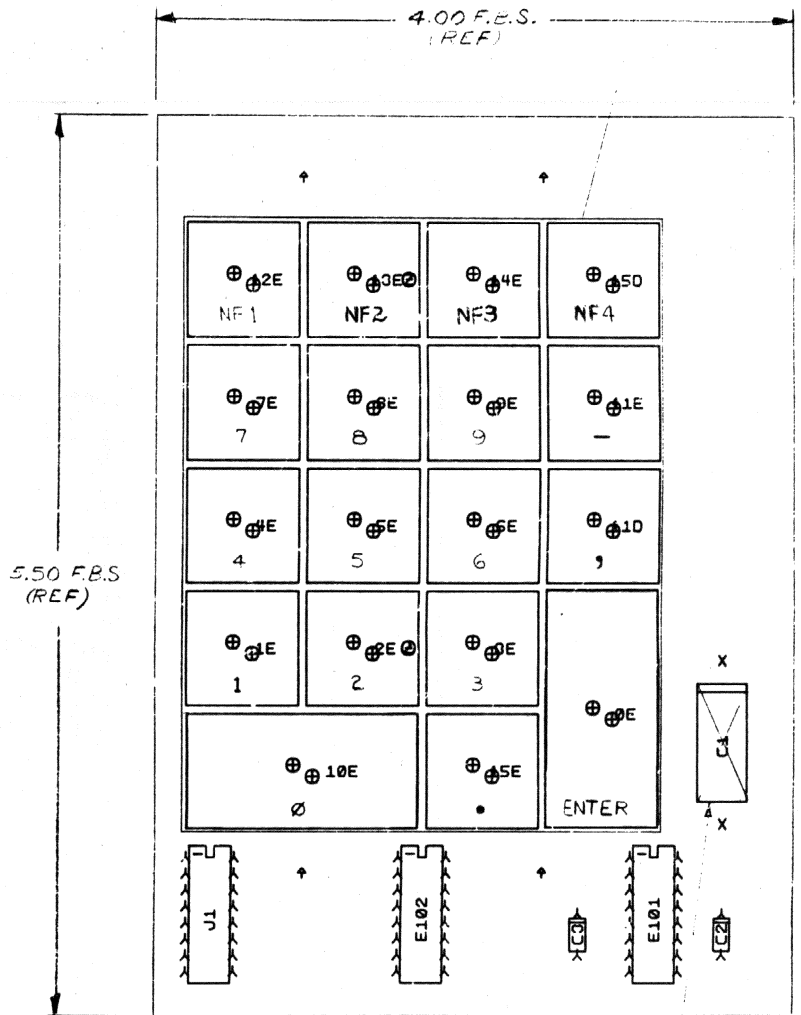
in P.S.

DRN. <i>X</i>	11/30/78	FIRST USED ON	H7110/LA120	digital
CHKD. <i>[Signature]</i>	5/1/79	TITLE	LA120 POWER SUPPLY	
ENG. <i>[Signature]</i>	12/18/78	PROJECT	LA120	
PROJ. ENGR. <i>[Signature]</i>	12/18/78	NEXT HIGHER ASSY.		
E-DD-5413044-0		SIZE	CODE	NUMBER
SCALE		D	CS	5413044-0-1
SHEET	1	OF		
		DIST.		

7-1-00-00215/VN07
 2 1

THIS DRAWING AND SPECIFICATIONS, HEREIN, ARE THE PROPERTY OF DIGITAL EQUIPMENT CORPORATION AND SHALL NOT BE REPRODUCED OR COPIED OR USED IN WHOLE OR IN PART AS THE BASIS FOR THE MANUFACTURE OR SALE OF ITEMS WITHOUT WRITTEN PERMISSION.
 COPYRIGHT © 1977 DIGITAL EQUIPMENT CORPORATION

COMPONENT SIDE VIEW



SEE NOTE 1


NOTES: 1. C1 IS NOT USED.


CHG	NO	REV

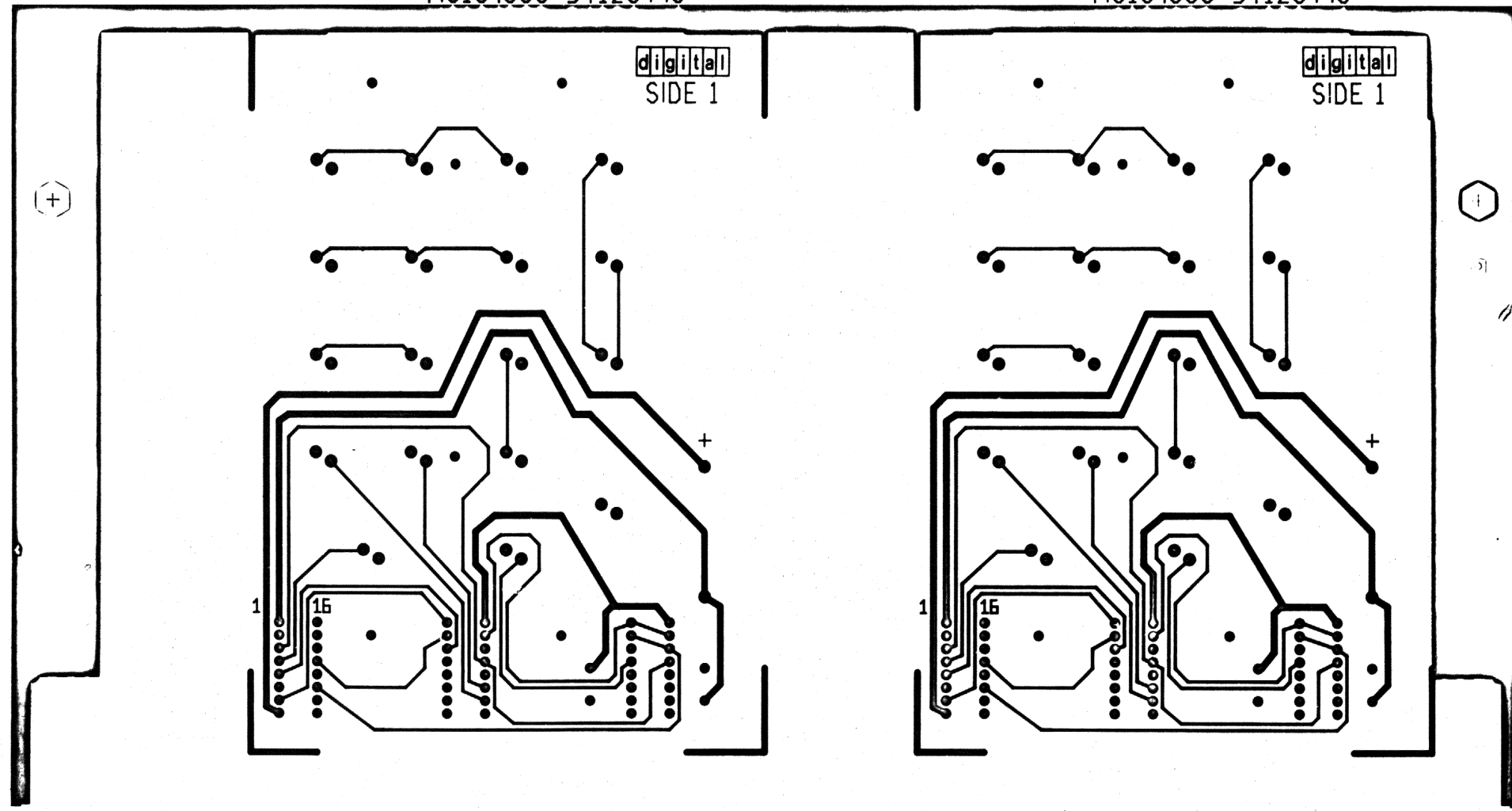
SIGNATURES	DATE
EPN. M. R. G. L. M.	3-16-77
CHK'D. S. J. M. L.	
ENG. R. J. M. L.	4-16-78
PROJ. ENG. S. J. M. L.	4-16-78
PROD. S. J. M. L.	4-16-78
SCALE 2-1	
SHT. 1 OF 3	
NEXT HIGHER ASSY. B-DD-5412644-0	

digital	
TITLE KEYPAD (LA120)	
SIZE CODE	NUMBER
D UA	5412644-0-0
REV	B

THIS DRAWING AND THE INFORMATION HEREON ARE THE PROPERTY OF DIGITAL EQUIPMENT CORPORATION AND SHOULD NOT BE REPRODUCED OR COPIED OR EITHER TRANSMITTED OR MADE AVAILABLE TO THE PUBLIC FOR THE MANUFACTURE OF ANY PRODUCT WITHOUT THE WRITTEN CONSENT OF DIGITAL EQUIPMENT CORPORATION.
 © 1978

L1  KEYPAD (LA120) 5012643
 MS104600 5412644C

L1  KEYPAD (LA120) 5012643
 MS104600 5412644C



D
C
B
A

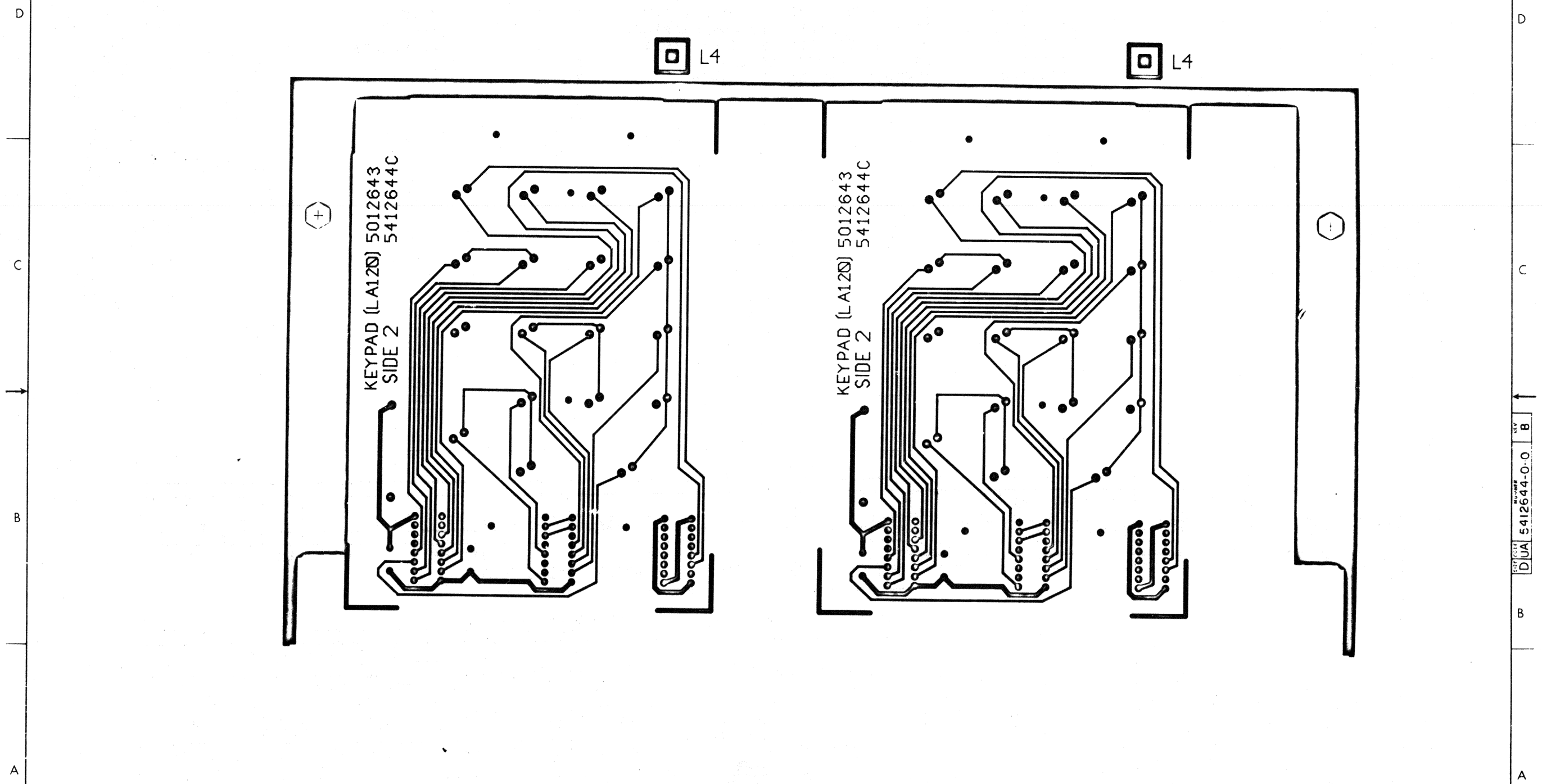
D
C
B
A

REV. 1
 DUA 5412644-0-0 B

REVISIONS		
CHK	CHANGE NO	REV

TITLE	KEYPAD (LA120)	SIZE CODE	D UA	NUMBER	5412644-0-0	REV	B
SCALE	2/1	SHEET	2	OF	3	DIST.	

THIS DRAWING AND ALL INFORMATION CONTAINED HEREIN IS THE PROPERTY OF QUALITY ELECTRONIC CORPORATION AND IS TO BE USED ONLY FOR THE MANUFACTURE OF THE PRODUCT SPECIFIED IN THE DRAWING. THE MANUFACTURER SHALL BE RESPONSIBLE FOR THE PROTECTION OF THIS INFORMATION. © 1978 QUALITY ELECTRONIC CORPORATION



REVISION		
CH	CHANGE NO	REV

TITLE	KEYPAD (LAI20)	SIZE/CODE	D UA	NUMBER	5412644-C-0	REV.	B
SCALE	2/1	SHEET	3 OF 3	DIST			

LINE ITEM	DOCUMENT NUMBER	PART NUMBER	DESCRIPTION	QTY PER VARIATION 00	REFERENCE DESIGNATOR
1	1	5012643-00	KEY PAD (LA120) (ETCH BRD.)	1	
2	2	1001610-00	.01 MFD 50V ±20±80 Z5U AXIAL	2	C2,C3
3	3	1211813-02	SOCKET 16PIN IC LOW PROFILE,	1	J1
4	4	1913950-00	LS156 DECODER,2 OF 4(DUAL)	2	E101,E102
5	5	7014561-00	18 KEY NUMERIC PAD ASSY	1	
6	6	9010033-00	SCREW,PAN,PHILLIPS, 4-24 X 3/8	2	

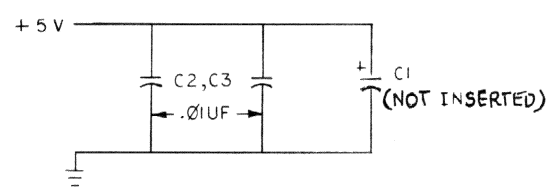
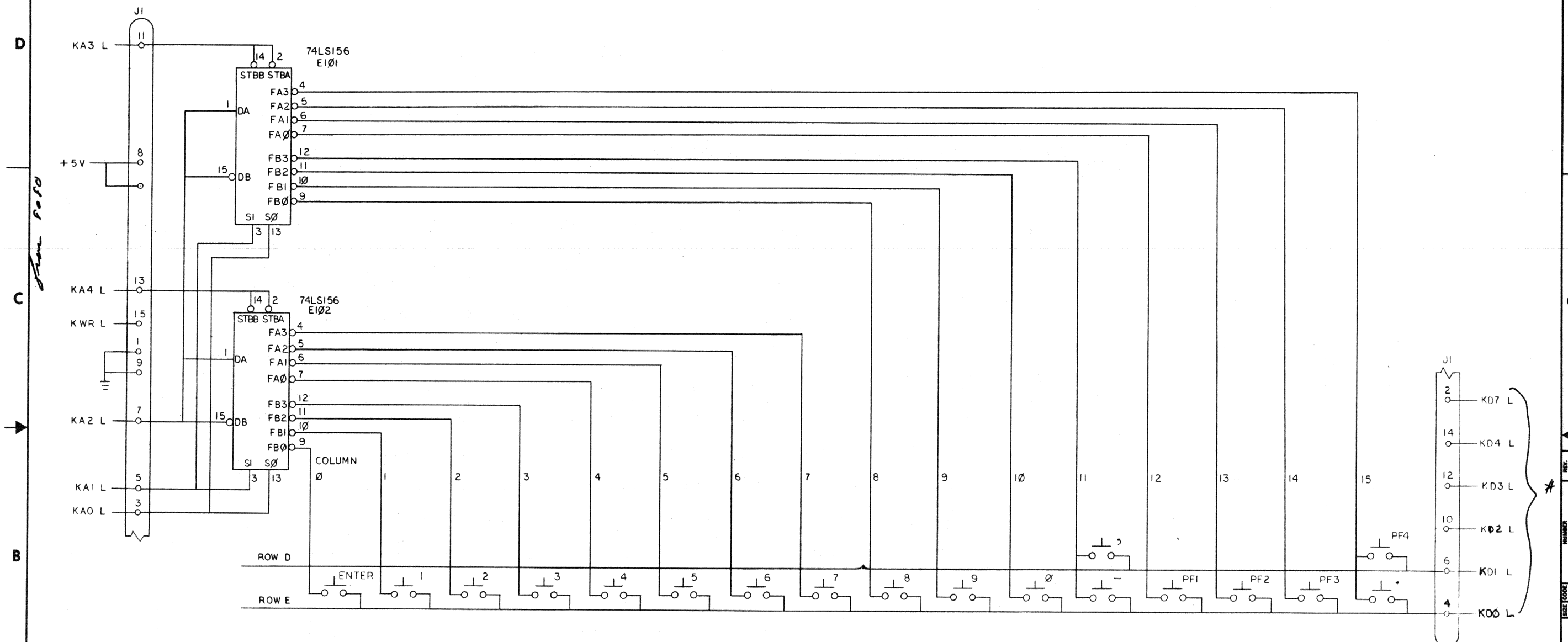
REVISION HISTORY		BASIC PART NO: 5412644		DRN:	DATE:	DIGITAL			
ENG:	ECO NUMBER	REV	SECTION A OF A	CHK'D:	DATE:	TITLE PARTS LIST			
---	INIT	B	SECTION VARIATION INDEX	M. PICARD	15-FEB-78	KEYPAD (LA120)			
JB	5412644-PN001	D	[A] 00						
			[B]						
			[C]	DES. ENG: R. LOMICKA	07-MAR-78				
			[D]						
			[E]	RESP. ENG.: R. LOMICKA	07-MAR-78	DOCUMENT NUMBER			
			[F]						
			[H]						
			[J]	MFG. ENG.: J. JOYCE	07-MAR-78	SIZE: K	CODE: PL	NUMBER: 5412644-0-DBP	REV: D
			[K]						
			[L]	ASSEMBLY NUMBER:	TOP DOCUMENT NUMBER:	FILE NAME:		EDIT #:	
			[M]	D-UA-5412644-0-0	LA120	12644D.PLS		12	
			[N]						

"THIS DRAWING AND SPECIFICATIONS HEREIN, ARE THE PROPERTY OF DIGITAL EQUIPMENT CORPORATION AND SHALL NOT BE REPRODUCED OR COPIED OR USED IN WHOLE OR IN PART AS THE BASIS FOR THE MANUFACTURE OR SALE OF ITEMS WITHOUT WRITTEN PERMISSION."
 COPYRIGHT (C) 1980, DIGITAL EQUIPMENT CORPORATION "

"THIS DRAWING AND SPECIFICATIONS, HEREIN, ARE THE PROPERTY OF DIGITAL EQUIPMENT CORPORATION AND SHALL NOT BE REPRODUCED OR COPIED OR USED IN WHOLE OR IN PART AS THE BASIS FOR THE MANUFACTURE OR SALE OF ITEMS WITHOUT WRITTEN PERMISSION. COPYRIGHT © 1977, DIGITAL EQUIPMENT CORPORATION"

D 5412644-0-1 2

*Keyboard
assemblies
#6*



** KD 7.4-0 [Symbol] ASCII Buff [Symbol] DC305 USART - CPU*

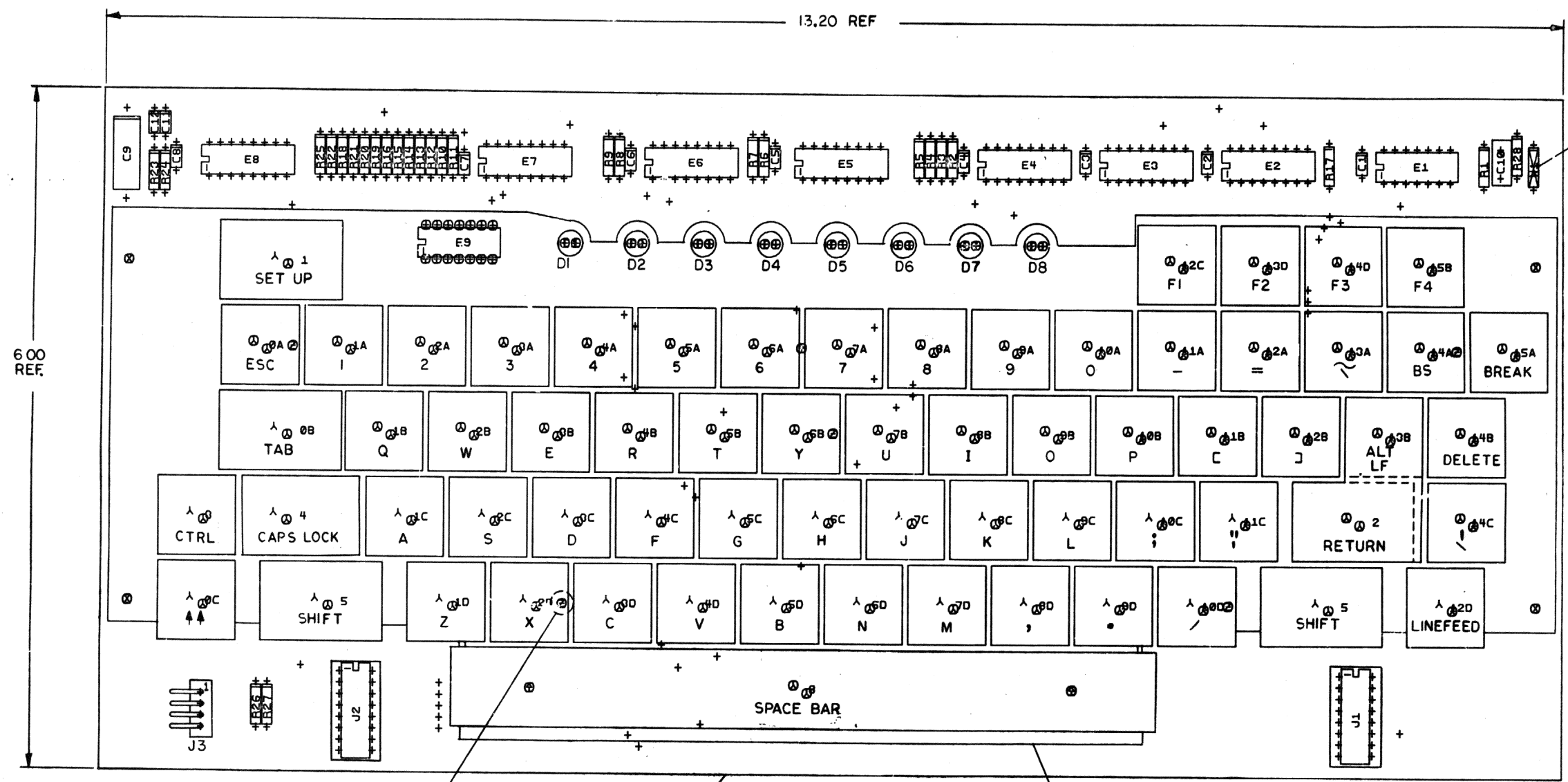
REV.	CHG.	NO.	BY	DATE
1			J. BITTO	
2			J. BITTO	
3			J. BITTO	

DRN: <i>[Signature]</i> 2/2/77	FIRST USED ON	digital
CHK'D: <i>[Signature]</i> 3-6-77	LAI20	
ENG: <i>[Signature]</i> 4-10-77	TITLE	KEYPAD (LAI20)
PROJ. ENG. <i>[Signature]</i> 4-10-77		
PROD. <i>[Signature]</i> 4/10/77		
NEXT HIGHER ASSY.		
B-DD-5412644-0	SIZE CODE	NUMBER
SCALE	D CS	5412644-0-1
SHEET	OF	DIST.

D 5412644-0-1

THIS DRAWING AND SPECIFICATIONS, HEREIN, AND THE PROPERTY OF DIGITAL EQUIPMENT CORPORATION AND SHALL NOT BE REPRODUCED OR COPIED OR USED IN WHOLE OR IN PART AS THE BASIS FOR THE REPRODUCTION OR SALE OF ITEMS WITHOUT WRITTEN PERMISSION. COPYRIGHT © MAR 1978 DIGITAL EQUIPMENT CORPORATION

COMPONENT SIDE VIEW



SEE NOTE 1

21 ATTACHED FROM FS. TYP.

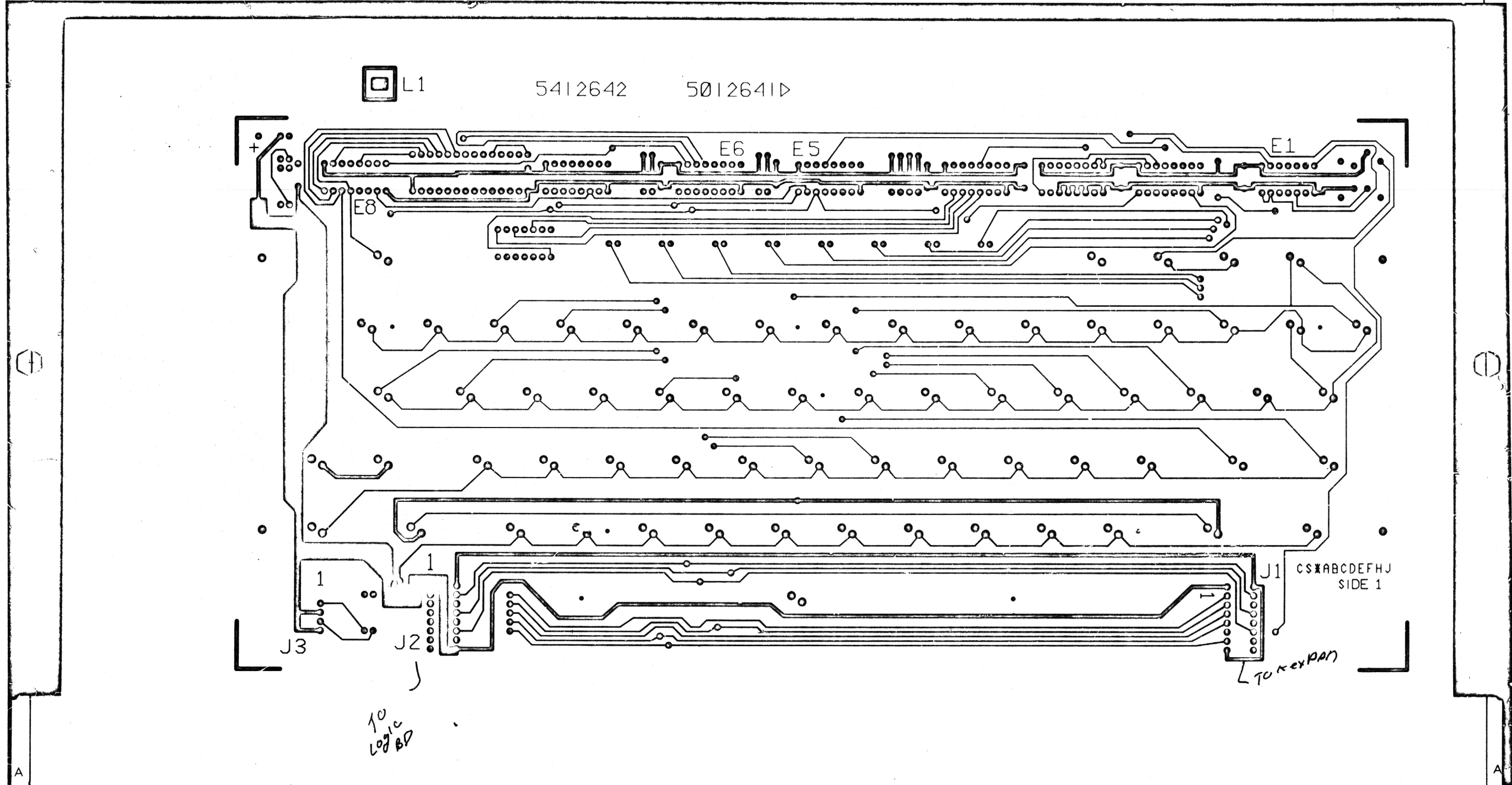
NOTES: I, W NOT USED.

CHG	NO	REV

ETCH REV.	D
P.C. DESIGN DATA BASE REV.	DL

SIGNATURES		DATE	digital
DRN. <i>M. Riley</i>		9/11/78	
CHK'D. <i>R. L. ...</i>		10/11/78	TITLE KEYBOARD LA120
ENG. <i>Roy Louieka</i>		11/12/78	
PROJ. ENG. <i>Roy Louieka</i>		11/12/78	SIZE CODE NUMBER REV D UA 5412642-0-0 C
PROD. <i>Juni ...</i>		11/12/78	
SCALE 2/1			
SHT. 1 OF 3			
NEXT HIGHER ASSY. B-DD-5412642-0			

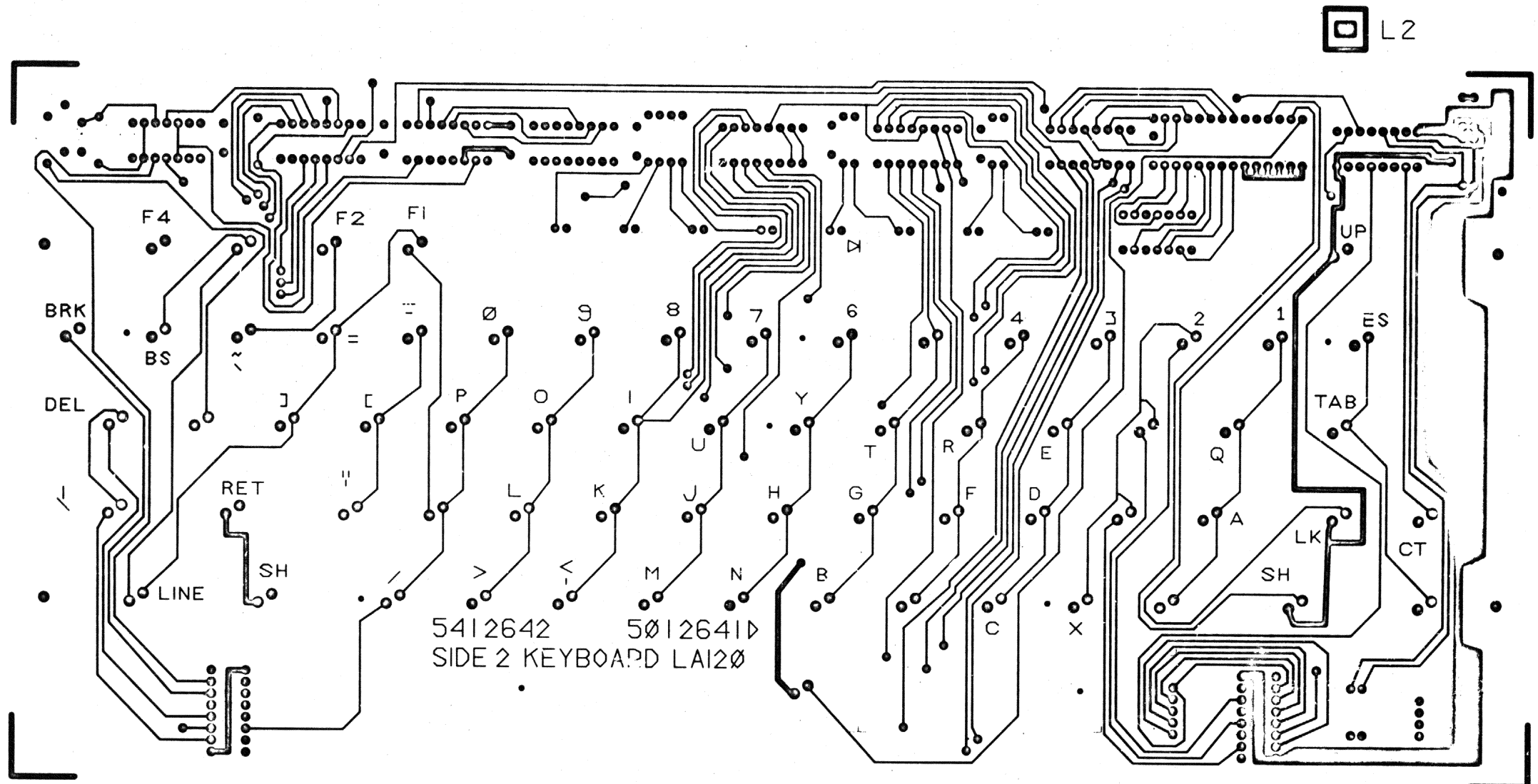
THIS DRAWING AND SPECIFICATIONS HEREIN ARE THE PROPERTY OF DIGITAL EQUIPMENT CORPORATION, AND SHALL NOT BE REPRODUCED OR COPIED OR USED IN WHOLE OR IN PART AS THE BASIS FOR THE MANUFACTURE OR SALE OF ITEMS WITHOUT WRITTEN PERMISSION.
 COPYRIGHT © 1978, DIGITAL EQUIPMENT CORPORATION



REVISIONS		
CHK	CHANGE NO	REV

TITLE	KEYBOARD LA120	SIZE CODE	DUA	NUMBER	5412642-0-0	REV.	C
SCALE	2/1	SHEET	2 OF 3	DIST			

THIS DRAWING AND SPECIFICATIONS HEREIN ARE THE PROPERTY OF DIGITAL EQUIPMENT CORPORATION, AND SHALL NOT BE REPRODUCED OR COPIED IN WHOLE OR IN PART AS THE BASIS FOR THE MANUFACTURE OR SALE OF ANY DEVICE WITHOUT WRITTEN PERMISSION OF DIGITAL EQUIPMENT CORPORATION.



5412642 5012641D
SIDE 2 KEYBOARD LA120

REV	DATE	BY	CHKD

TITLE	DWG CODE	NUMBER	REV.
KEYBOARD LA120	D UA	5412642-0-0	C
SCALE 2/1	SHEET 3 OF 3	DIST	

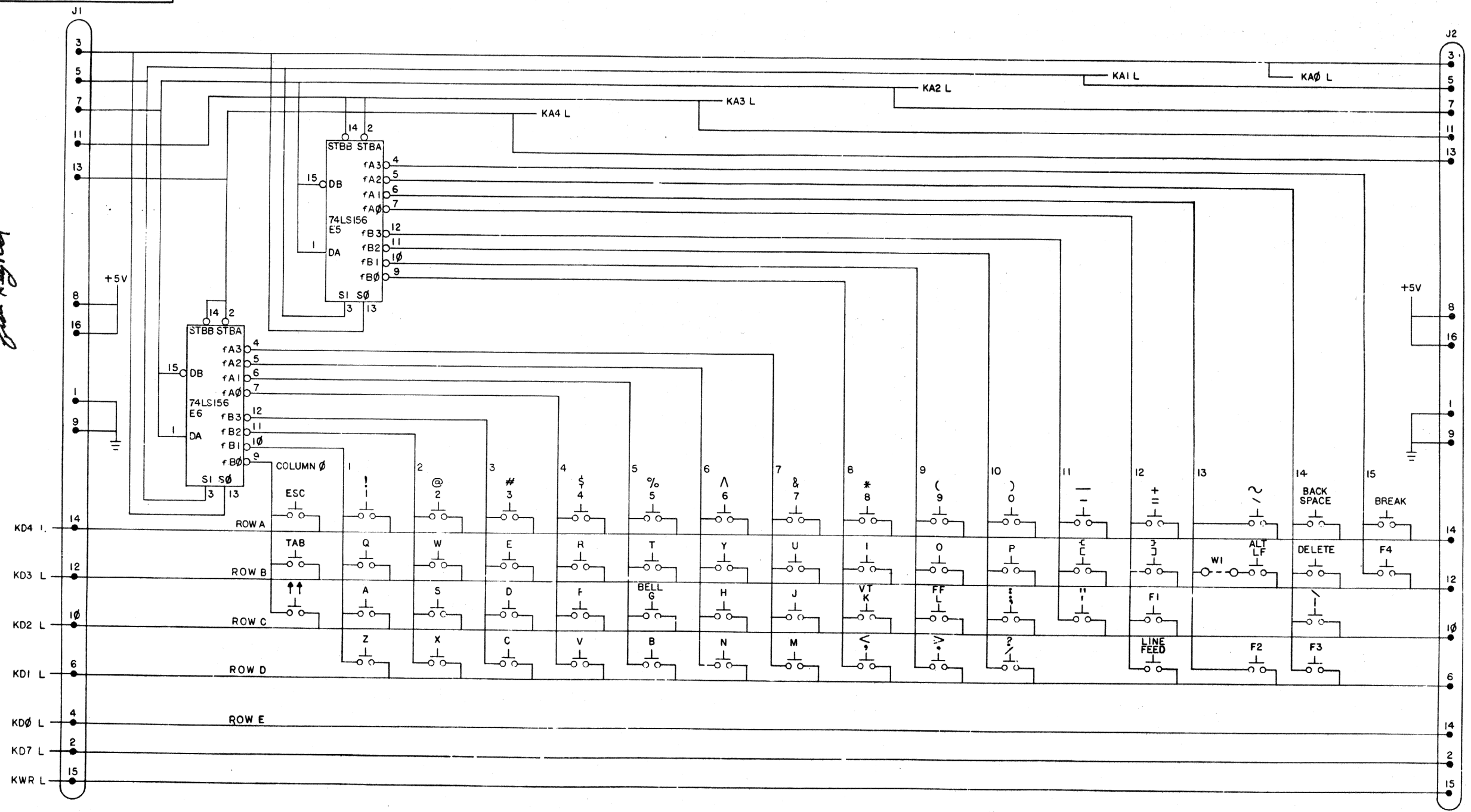
LINE	ITEM	DOCUMENT NO.	PART NO.	DESCRIPTION	QTY	REFERENCE DESIGNATORS
1	1		5012641-00	KEY BOARD (LA120) (ETCH BOARD)	1	
2	2		1000042-00	1000.0 MMF 100V 5%200PPM DM15S (10-00	1	C10
3	3		1001610-01	.01 MFD 100V OR 50V Z5U DISC/800PF MIN	10	C1-C8,C11,C12
4	4		1012084-01	8 MFD 25V 6% 30D AL EL (10-12	1	C9
5	5		1110864-00	LED 2MCD@10MA	8	D1-D8
6	6		1114589-00	LED,4-DIGIT,10MA,3V,RED	1	E9
7	7		1211813-02	SOCKET 16PIN IC LOW PROFILE,GOLD PLATE	2	J1,J2
8	8		1214981-00	CONN 4PIN RT ANGLE	1	J3
9	9		1300309-00	390 1/4W 5% CC (13-00	10	R26-R28,R10-R16
10	10		1300316-00	470 1/4W 5% CC (13-00	9	R2-R9,R17
11	11		1300479-00	10 K 1/4W 5% CC (13-00	8	R18-R25
12	12		1302957-00	121 1/4W 1% RN55D-F 100PPM (13-00	1	R1
13	13		1910047-00	74145 DECODER&DRIVER	1	E4
14	14		1911637-00	74132 NAND GATE-QUAD 2 IN SCHMITT TR	1	E1
15	15		1912648-00	LS251 MUX 8 INPUT,TRI-STA	1	E8
16	16		1912849-00	LS161 COUNTER,SYNCHR,4BIT BINARY	1	E3
17	17		1912860-00	LS259 LATCH 8BIT	1	E2
18	18		1913950-00	LS156 DECODER,2 OF 4(DUAL) & DEMUX	2	E5,E6
19	19		2114580-00	DECODER BCD-7/DRIVER	1	E7
20	20		7013910-00	KEY SWITCH ARRAY ASSY	1	
21	21		9010033-00	SCREW,PAN,PHILLIPS, 4-24 X 3/8 TYPE 25	5	

REVISION HISTORY			VARIATIONS FOR THIS ASSY.		
CHK	ECO NO	REV	FIRST USED ON: LA120		
---	INIT	C	DIGITAL EQUIPMENT CORPORATION MAYNARD, MASSACHUSETTS		
			MADE BY: P.KENDIRCK	DATE: 15-FEB-78	TITLE
			CHECKED: W.CASSIDY	DATE: 15-FEB-78	PARTS LIST
			DSN.ENG.: R. LOMICKA	DATE: 18-APR-78	KEYBOARD (LA120)
			PROD.: J. JOYCE	DATE: 18-APR-78	SIZE!CODE! DOCUMENT NUMBER ! REV !
			RESP.ENG.: R. LOMICKA	DATE: 18-APR-78	K ! FL ! 5412642-0-DBP ! C
				ASSY.NO.: D-UA-5412642-0-0	! EDIT# !
					17

THIS DRAWING AND SPECIFICATIONS HEREIN, ARE THE PROPERTY OF DIGITAL EQUIPMENT CORPORATION AND SHALL NOT BE REPRODUCED OR COPIED OR USED IN WHOLE OR IN PART AS THE BASIS FOR THE MANUFACTURE OR SALE OF ITEMS WITHOUT WRITTEN PERMISSION. COPYRIGHT 1978. DIGITAL EQUIPMENT CORPORATION

"THIS DRAWING AND SPECIFICATIONS, HEREIN, ARE THE PROPERTY OF DIGITAL EQUIPMENT CORPORATION AND SHALL NOT BE REPRODUCED OR COPIED OR USED IN WHOLE OR IN PART AS THE BASIS FOR THE MANUFACTURE OR SALE OF ITEMS WITHOUT WRITTEN PERMISSION. COPYRIGHT © 1977, DIGITAL EQUIPMENT CORPORATION"

CS 5412642-0-1 2



Jim Key Red

John D. 8/11

REV.	
CHANGE NO.	
REVISIONS	

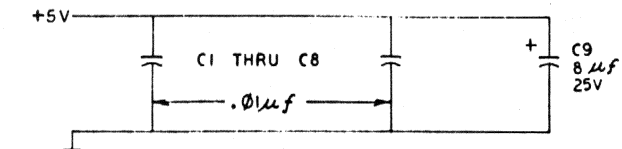
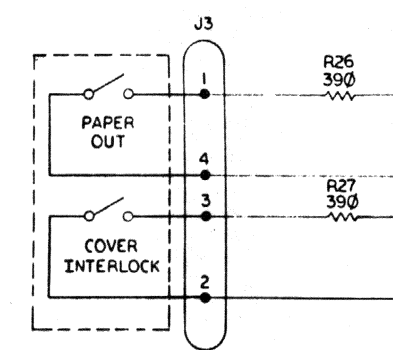
DRN. <i>Jim Key Red</i>	10/10/77	FIRST USED ON	LAI20	digital
CHK'D <i>Jim Key Red</i>	3/23/78	TITLE	KEYBOARD LAI20	
ENG. <i>John D.</i>	11/22/77	PROJECT	11/22/77	
PROJ. ENG. <i>John D.</i>	11/22/77	NEXT HIGHER ASSY.		
SCALE	NONE	SIZE	D	CODE
SHEET	1 OF 2	DIST.		NUMBER
				REV.
				C

THIS DRAWING AND SPECIFICATIONS HEREIN ARE THE PROPERTY OF DIGITAL EQUIPMENT CORPORATION AND SHALL NOT BE REPRODUCED OR COPIED OR USED IN WHOLE OR IN PART AS THE BASIS FOR THE MANUFACTURE OR SALE OF ITEMS WITHOUT WRITTEN PERMISSION. COPYRIGHT © 1977 DIGITAL EQUIPMENT CORPORATION

ADDRESS	COLUMN	SWITCHES
XXXX 10-17	0-7	NOT SELECTED
XXXX 20-27	8-15	SELECTED
XXXX 00-07	NOT VALID	---
XXXX 30-37	NOT VALID	---

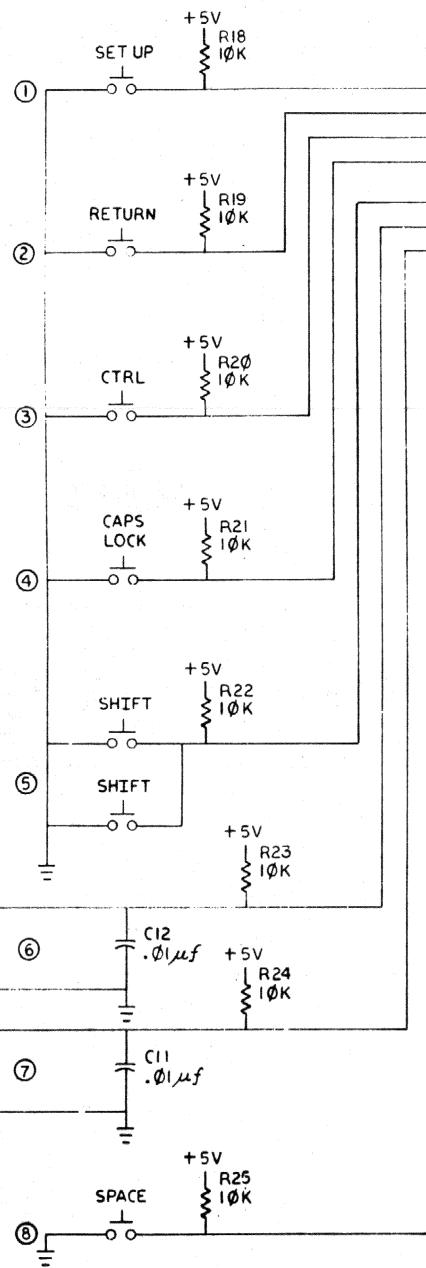
A4L	A3L	A2L	A1L	A0L	COLUMN #	SWITCH #
0	1	0	0	0	0	---
0	1	0	1	0	1	---
0	1	0	1	1	2	---
0	1	1	0	0	3	---
0	1	1	0	1	4	---
0	1	1	1	0	5	---
0	1	1	1	1	6	---
1	0	0	0	0	7	---
1	0	0	0	1	8	①
1	0	0	0	1	9	②
1	0	0	1	0	10	③
1	0	0	1	1	11	④
1	0	1	0	0	12	⑤
1	0	1	0	1	13	⑥
1	0	1	1	0	14	⑦
1	0	1	1	1	15	⑧

Keyboard



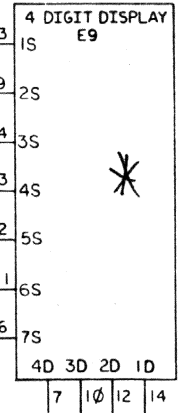
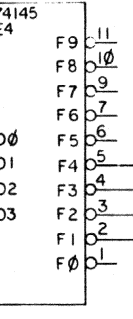
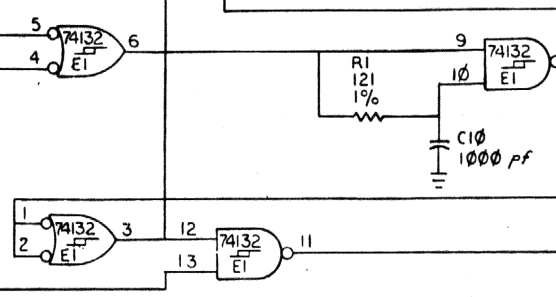
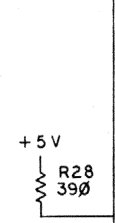
BINARY	FUNCTION
1 0 0 0	CLEAR COUNTER; CLEAR LED XXX
0 1 0 0	CLEAR COUNTER; SET LED XXX
0 0 1 0	COUNT COUNTER; LATCH BCD CODE XXXX

REVISIONS		
CHK	CHANGE NO.	REV.



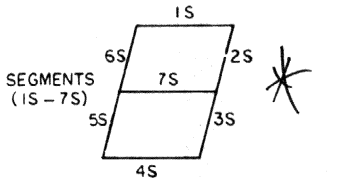
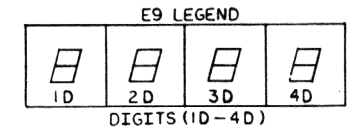
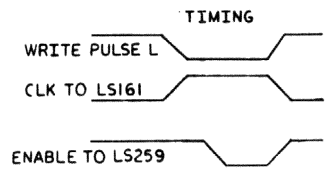
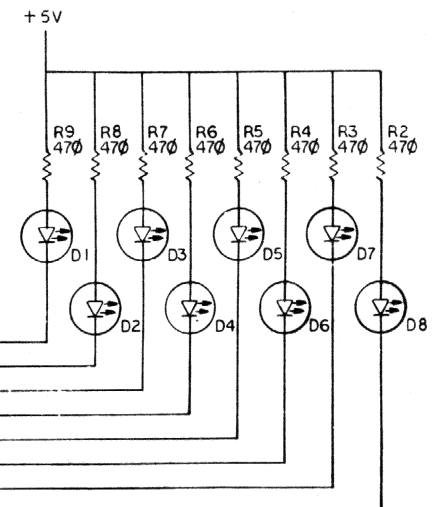
Light display
7 seg. display

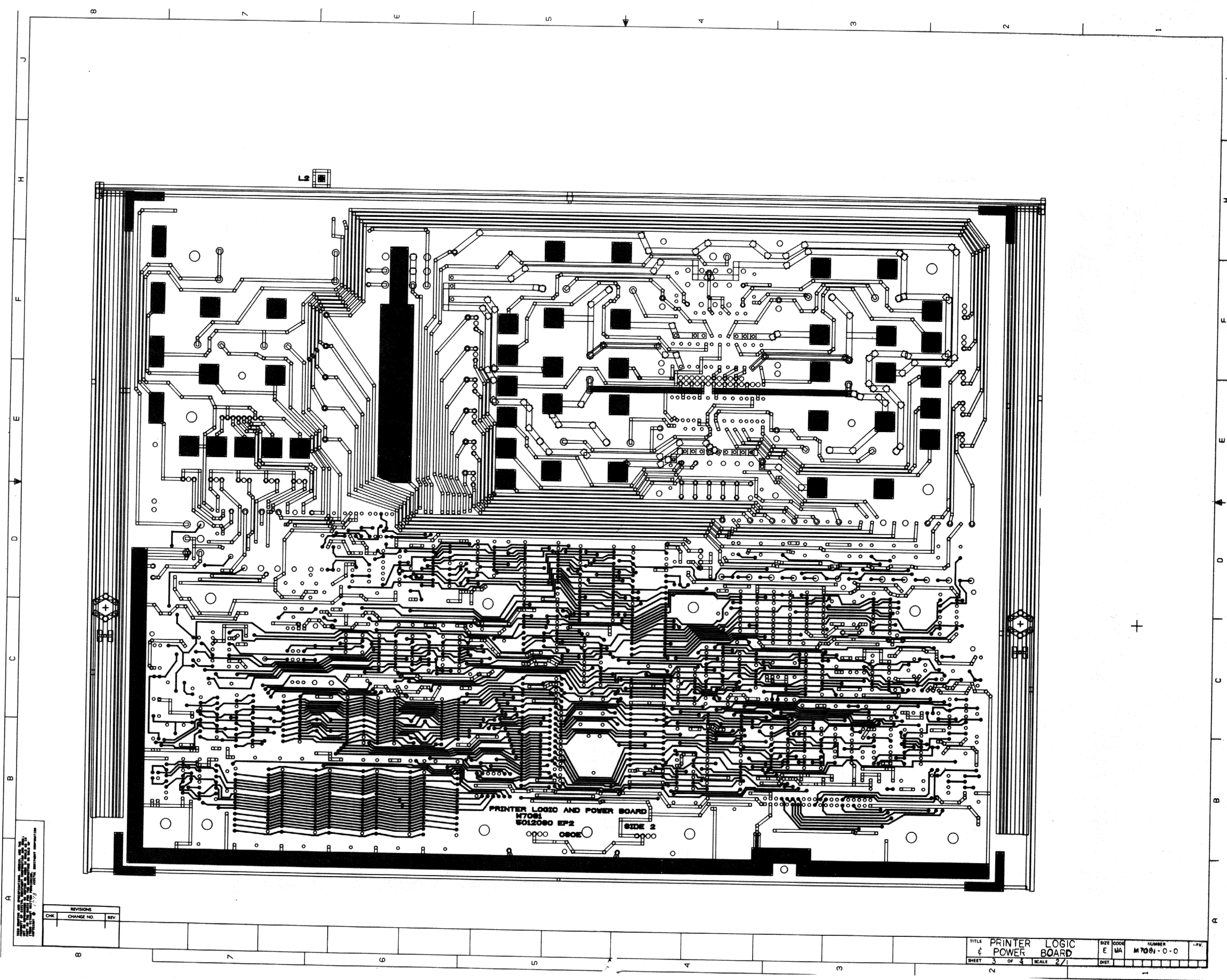
decodes which
5 seg. to 4 seg.



REF DES	+ 5V PIN	GND PIN
E1	14	7
E2-E8	16	8

COUNT	SELECT
0 0 0 0	LEDS (D1-D8)
0 0 0 1	ONES (4D)
0 0 1 0	TENS (3D)
0 0 1 1	HUNDREDS (2D)
0 1 0 0	THOUSANDS (1D)
0 1 0 1	
0 1 1 0	
0 1 1 1	
1 0 0 0	
1 0 0 1	
1 0 1 0	
1 0 1 1	
1 1 0 0	
1 1 0 1	
1 1 1 0	
1 1 1 1	





1. ALL DIMENSIONS ARE IN MILLIMETERS UNLESS OTHERWISE SPECIFIED.
 2. DIMENSIONS ARE TO CENTER UNLESS OTHERWISE SPECIFIED.
 3. DIMENSIONS ARE TO THE OUTLINE UNLESS OTHERWISE SPECIFIED.
 4. DIMENSIONS ARE TO THE CENTER UNLESS OTHERWISE SPECIFIED.
 5. DIMENSIONS ARE TO THE CENTER UNLESS OTHERWISE SPECIFIED.
 6. DIMENSIONS ARE TO THE CENTER UNLESS OTHERWISE SPECIFIED.
 7. DIMENSIONS ARE TO THE CENTER UNLESS OTHERWISE SPECIFIED.
 8. DIMENSIONS ARE TO THE CENTER UNLESS OTHERWISE SPECIFIED.
 9. DIMENSIONS ARE TO THE CENTER UNLESS OTHERWISE SPECIFIED.
 10. DIMENSIONS ARE TO THE CENTER UNLESS OTHERWISE SPECIFIED.

REVISIONS		
CHK	CHANGE NO.	REV.

PRINTER LOGIC AND POWER BOARD
 N7081
 5012080 EP2
 OSCE
 SIDE 2

TITLE	PRINTER LOGIC & POWER BOARD	SIZE	CODE	NUMBER	REV.
SHEET	3 OF 3	E	WA	M7081-0-0	1
SCALE	2/1	DIST.			

8 7 6 5 4 3 2 1

THIS DRAWING AND SPECIFICATIONS HEREIN ARE THE PROPERTY OF DIGITAL EQUIPMENT CORPORATION AND SHALL NOT BE REPRODUCED OR COPIED OR USED IN WHOLE OR IN PART AS THE BASIS FOR THE MANUFACTURE OR SALE OF ITEMS WITHOUT WRITTEN PERMISSION. COPYRIGHT © 1971, DIGITAL EQUIPMENT CORPORATION

REWORK INSTRUCTIONS

ECO #5

ETCH CUT SIDE 1:

5-1 CUT ETCH BETWEEN E38-9 AND E38-10

COMPONENT ADDS:

5-2 D90 CATHODE TO E33-9 AND ANODE TO E33-12

5-3 C93 TO E33-10 AND E33-11

WIRE ADDS:

5-4 FROM E38-9 TO E33-11

5-5 FROM PTH BETWEEN C39 AND C84 TO E33-9

5-6 FROM E33-11 TO E33-12

ECO #6

COMPONENT ADDS:

6-1 C94 TO E34-1 AND TO GROUND.

ECO #7

COMPONENT ADDS:

7-1 ADD W1, R52, R53, R56, R57, R62 THRU R65.

ECO #8

ADD ITEMS 119 AND 120 IN PLACE OF

W29 ON VARIATIONS YB AND YC ONLY.

J

H

F

E

D

C

B

A

J

H

F

E

D

C

B

A

REVISIONS		
CHK	CHANGE NO.	REV.

8

7

6

5

4

3

2

1

TITLE	PRINTER LOGIC BOARD	DESIGNER	EUA	NUMBER	M7081-0-0	REV.	P
SCALE	1/8" = 1"	SHEET	4 OF 4	DATE			

EUA M7081-0-0 P

LINE ITEM	DOCUMENT NO.	PART NO.	DESCRIPTION	QTY	REFERENCE DESIGNATORS
1	1	5012080-00	M7081	1	
2	2	1000038-00	.39 MFD 100V 10% 663F MYLR (10-00	1	C54
3	3	1000075-00	.25 MFD 25V 6% 30D AL EL (10-12	6	C46-C51
4	4	1001610-00	.01 MFD 50V Z5U 309CER/8000PF MIN	47	C1-C30,C32,C34,C35,C37-C45, CONT C80-C84
5	5	1002323-00	.022 MFD 100V 10% 663F MYLR (10-00	1	C57
6	6	1002342-00	.1 MFD 100V 10% 663F MYLR (10-00	2	C56,C58
7	7	1002423-00	3300.0 MMF 100V 5%200PPM IM19S (10-00	7	C67-C70,C77-C79
8	8	1010031-06	.68 MFD 50V 10% M.POLYCARB	1	C55
9	9	1012784-00	.047 MFD 50V X% CER. \$	2	C52,C53
10	10	1013466-12	2200.0 MMF 50V 10%	1	C62
11	11	1013466-13	39.0 MMF 50V 5% CER	3	C59-C61
12	12	1013466-16	.010 MFD 50V 10% CER	4	C72,C74,C86,C87
13	13	1100114-00	D 664 QS\75PCB PIV= 25V SP	3	D2,D5,D8
14	14	1105796-00	1N 4004 PIV=400 I= 1A D041 SP	12	D1,D3,D6,D7,D9,D15-D17,D19, CONT D24-D26
15	15	1105873-00	.4M5.1Z1 VZ= 5.1 1% .400W	2	D4,D10
16	16	1114507-00	1N 4749A VZ= 24.0 \$	2	D20,D27
17	17	1114588-00	NSR8141 PIV=50 I=4A T03	1	Q29
18	18	1209941-02	HEADER 100 40POS RT ANGLE \$	1	J8
19	19	1211813-02	SOCKET 16PIN IC LOW PROFILE,GOLD PLATE	1	J1
20	20	1212297-00	MATE-N-LOK 2PIN UNIV HEADER	1	J5
21	21	1212297-05	MATE-N-LOK 6PIN UNIV.	1	J2
22	22	1212297-06	MATE-N-LOK 12PIN UNIV.	1	J4
23	23	1212385-00	SOCKET 40PIN IC LOW PROFILE,GOLD CONTA	2	
24	24	1213477-02	HEADER 16POS	1	J6
25	25	1214886-01	HEADER 40POS VERTICAL \$	1	J9
26	26	1214978-00	CONN 4POS WAFER-POLARIZING + LOCKIN	1	J7
27	27	1214978-01	CONN 8POS WAFER-POLARIZING + LOCKIN	1	J3
28	28	1215006-06	SOCKET 24PIN IC LOW PROFILE	5	

REVISION HISTORY			VARIATIONS FOR THIS ASSY.		
CHK	ECD NO	REV	FIRST USED ON: LA120		
	INIT	D	DIGITAL EQUIPMENT CORPORATION MAYNARD, MASSACHUSETTS		
			MADE BY: J. FITZGERALD	DATE: 24-MAR-78	TITLE
			CHECKED: R. HUMMERS	DATE: 28-MAR-78	PARTS LIST
			DSN.ENG.: R. LOMICKA	DATE: 11-APR-78	PRINTER LOGIC AND POWER BOARD
			PROD.: J. JOYCE	DATE: 11-APR-78	SIZE!CODE! DOCUMENT NUMBER ! REV !
			RESP.ENG.: R. LOMICKA	DATE: 11-APR-78	K ! PL ! M7081-0-DBP ! D
				ASSY.NO.: E-UA-M7081-0-0	EDIT#
					47

THIS DRAWING AND SPECIFICATIONS HEREIN, ARE THE PROPERTY OF DIGITAL EQUIPMENT CORPORATION AND SHALL NOT BE REPRODUCED OR COPIED OR USED IN WHOLE OR IN PART AS THE BASIS FOR THE MANUFACTURE OR SALE OF ITEMS WITHOUT WRITTEN PERMISSION.
 COPYRIGHT 1978, DIGITAL EQUIPMENT CORPORATION

LINE	ITEM	DOCUMENT NO.	PART NO.	DESCRIPTION	QTY	REFERENCE DESIGNATORS
29	29		1300171-00	10 1W 5% CC (13-00	1	R22
30	30		1300295-00	330 1/4W 5% CC (13-00	3	R12,R69,R96
31	31		1300316-00	470 1/4W 5% CC (13-00	3	R15,R162,R163
32	32		1300365-00	1 K 1/4W 5% CC (13-00	21	R3,R4,R11,R13,R14,R20,R21,R23, CONT R24,R27,R30,R36,R37,R49,R67, CONT R68,R70,R71,R79,R94,R80
33	33		1300391-00	1.5 K 1/4W 5% CC (13-00	6	R1,R2,R5,R6,R9,R10
34	34		1300415-00	2.2 K 1/2W 5% CC (13-00	2	R17,R136
35	35		1300417-00	2.2 K 1/4W 5% CC (13-00	9	R16,R76,R84-R87,R89,R90,R92
36	36		1300426-00	2.7 K 1/4W 5% CC (13-00	2	R73,R75
37	37		1300447-00	4.7 K 1/4W 5% CC (13-00	16	R8,R18,R19,R66,R91,R82,R93, CONT R99,R103,R111,R120,R122,R125, CONT R128,R131,R134
38	38		1300479-00	10 K 1/4W 5% CC (13-00	11	R40,R42,R46,R47,R88,R95,R97, CONT R98,R168,R170,R171
39	39		1301327-00	68 K 1/4W 5% CC (13-00	2	R50,R41
40	40		1302391-00	20 K 1/4W 5% CC (13-00	8	R33,R34,R38,R39,R54,R55,R58, CONT R59
41	41		1303048-00	560 1W 5% CC (13-00	6	R25,R26,R164-R167
42	42		1304839-00	51 K 1/4W 5% CC (13-00	1	R174
43	43		1304854-00	5.11 K 1/4W 1% RN55D-F 100PPM (13-00	4	R28,R32,R35,R44
44	44		1305346-00	27 K 1/4W 5% CC (13-00	4	R72,R74,R100,R137
45	45		1309422-00	5.1 1/4W 5% CC (13-00	1	R31
46	46		1309595-00	1 M 1/4W 5% CC (13-00	8	R7,R102,R110,R121,R124,R127, CONT R130,R133
47	47		1310606-00	75 10W 5% WW (13-00	2	R138,R139
48	48		1310881-04	150 1/4W 5% FUSIBLE (13-00	2	R160,R161
49	49		1312618-00	16.9 K 1/4W 1% RN55D-F 100PPM (13-00	1	R60
50	50		1312928-00	51 1/4W 5% CC (13-00	1	R29
51	51		1313844-00	221 K 1/4W 1% RN55D-F 100PPM (13-00	1	R48
52	52		1314515-00	1.5 K 1W 5% CC (13-00	7	R101,R112,R123,R126,R129,R132, CONT R135
53	53		1314516-00	200 K 1/4W 5% CC (13-00	1	R43
54	54		1314547-00	.075 3W 3% WW (13-00	1	R140
55	55		1314581-00	1.70 5W 1% WW (13-00	7	R141-R146,R149
56	56		1314988-00	6.65 K 1/4W 1% RN55D-F 100PPM (13-00	1	R61
57	57		1314989-00	11.3 K 1/4W 1% RN55D-F 100PPM (13-00	1	R51
58	58		1314990-00	158 K 1/4W 1% RN55D-F 100PPM (13-00	1	R45
59	59		1510705-00	XA 05 NPN 500MW SI 60 50 P	3	Q2,Q3,Q6
60	60		1510706-00	XA 55 PNP 500MW SI 60 50 P	6	Q1,Q4,Q5,Q7,Q8,Q37
61	61		1511282-00	MJ2500 PNP 150WC SI 60 5 1K 5A 1MZ 5A DA	3	Q10,Q30,Q31
62	62		1511349-00	TIP 640 (OR MJ3000) NPN DARLINGTON (COMPL.	3	Q9,Q27,Q28
63	63		1514508-00	TIP 121 NPN 65W SI 80 1000 8A DARLINGT	11	Q12-Q16,Q19,Q32-Q36
64	64		1514509-00	TIP 125 PNP 65W SI 60 500 8A DARLINGT	1	Q11
65	65		1809880-06	XTAL 18.0 MHZ	1	Y1
66	66		1910298-00	741 OP AMP GEN PURP. COMPENSATED D	1	E10
67	67		1910322-00	DEC 1488L DRIVER,LINE,QUAD,EIA RS-232C	1	E38
68	68		1910741-00	7406 INVERTER GATE-HEX 1IN,BUFFER,0	2	E3,E30

! DIGITAL EQUIPMENT CORPORATION !	! TITLE !	! PARTS LIST !	! SIZE !	! CODE !	! DOCUMENT NUMBER !	! REV !
! MAYNARD, MASSACHUSETTS !	! !	! PRINTER LOGIC AND POWER BOARD !	! K !	! FL !	! M7081-0-DBF !	! D !

LINE	ITEM	DOCUMENT NO.	PART NO.	DESCRIPTION	QTY	REFERENCE DESIGNATORS
69	69		1911469-00	DEC 8640 RECEIVER,BUS,QUAD,UNIBUS,Q-BU	1	E26
70	70		1912697-00	LS174 FF-D HEX W/CLEAR	1	E29
71	71		1912799-00	LS00 NAND-GATE-QUAD 2IN,POSITIVE	3	E15,E19,E27
72	72		1912801-00	DEC LS02 NOR GATE-QUAD 2IN	1	E16
73	73		1912803-00	LS04 INVERTER GATE-HEX 1IN	1	E14
74	74		1912816-00	LS32 OR GATE-QUAD 2IN,POSITIVE	1	E21
75	75		1912846-00	LS155 DECODER,2 OF 4(DUAL) & DEMUX	2	E20,E35
76	76		1912853-00	DEC LS175 FF-D QUAD	1	E34
77	77		1913105-00	8224 DRIVER/GEN CLOCK FOR CPU,2 PH	1	E23
78	78		1913109-00	8228 BUFFER,DATA BASE FOR LOW PWR S	1	E24
79	79		1913130-00	DEC 1489A RECEIVER,LINE,QUAD,EIA RS-232	2	E37,E41
80	80		1914156-00	LM 393 VOLT.COMPARATOR DUAL	2	E11,E43
81	81		1914213-00	81LS97 BUFFER GATE-OCTAL 2IN,TRI-STA	1	E5
82	82		1914519-00	CURRENT REGULATOR CIRCUIT	2	E40,E45
83	83		1914560-00	LS368 DRIVER,BUS,HEX,TRI-ST	4	E1,E2,E32,E44
84	84		2113107-01	8251A PUSART-COMM.INTERFACE	1	E28
85	85		2113108-00	8080A MICROPROCESSOR 8-BIT MOS N-CHA	1	E22
86	86		2113954-00	DC 305 DRIVER,CPU TO PRINTER	1	E25
87	87		2114212-01	2114 RAM,1024X4,STATIC 18PIN	4	E9,E18,E7,E13
88	88		2114524-01	ROM 100X14BIT,ERASABLE,14PIN PLAS	1	E39
89	89		23003E2-00	E2-01	1	E6
90	90		23004E2-00	E2-01	1	E8
91	91		23005E2-00	E2-01	1	E12
92	92		23006E2-00	E2-01	1	E17
93	93		23007E2-00	E2-01	1	E4
94	94		7420248-00	HEAT SINK	1	
95	95		9008033-01	SCREW,PAN ,PHIL, 4-40X 9/16 SS/PAS	26	
96	96		9006508-00	RIVET, BLIND, .125 DIA X .419 LG	2	
97	97		9006658-00	WASHER, FLAT, .375 O.D. X .144 I.D. X .062	2	
98	98		9006721-00	WASHER, SPECIAL INSULATING, #294457	7	
99	99		9007213-00	FUSE, SLO BLOW, 1.500A, 250V, GLASS	1	F1
100	100		9007879-00	FUSE, SLO BLOW, 2.500A, 250V, GLASS	1	F2
101	101		9008268-00	COMPOUND, THERMAL JOINT	A/R	
102	102		9009185-00	JUMPER, WIRE, INSULATED, BLACK BAND	21	W2-W13,W15,W21-W27,W29
103	103		9009513-00	CLIP, FUSE WITH STOP, FOR P.C. BOARD	4	
104	104		9009597-00	INSULATOR, THERMA-FILM	12	
105	105		9009769-00	WASHER, RECTANGULAR .405X.225X.060	12	
106	106		9009990-00	NUT,KEP , 4-40 X1/4 AF CS	26	
107	107		9006632-00	WASHER,LOCK,INT,.2600D X .120ID X .015 THK	14	
108	108		9105740-00	WIRE(WRAP)30AWG UL1423 (91-00 A/R		
109	109		1302514-00	39 K 1/4W 5% CC (13-00	1	R169

110 NOTE: 1: COMPONENTS NOT INSERTED IN THIS VARIATION ARE:

111 NOTE: C31,C33,C36,C43-C66,C71,C73,C75,C76,C88,C89,

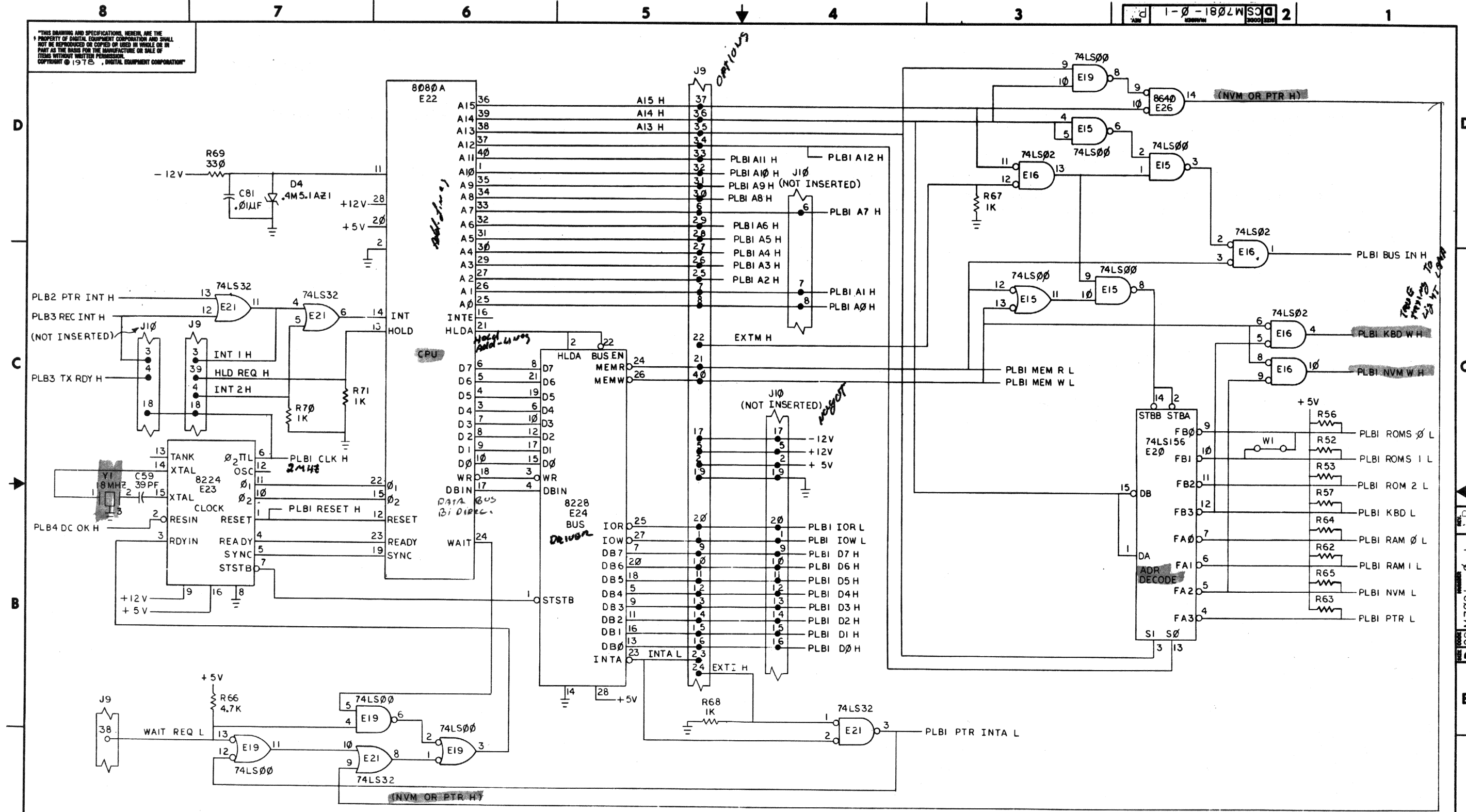
! DIGITAL EQUIPMENT CORPORATION ! ! MAYNARD, MASSACHUSETTS !	! TITLE ! ! PRINTER LOGIC AND POWER BOARD !	! PARTS LIST !	! SIZE ! ! K !	! CODE ! ! PL !	! DOCUMENT NUMBER ! ! M7081-0-DBP !	! REV ! ! D !
---	--	----------------	-------------------	--------------------	--	------------------

LINE ITEM	DOCUMENT NO.	PART NO.	DESCRIPTION	QTY	REFERENCE DESIGNATORS
-----------	--------------	----------	-------------	-----	-----------------------

112	NOTE:		J10-J12,R52,R53,R56,R57,R62-R65,R77,R78,R81,		
113	NOTE:		R83,R104-R109,R113-R119,R147,R148,R150-R159,		
114	NOTE:		R172,R173,Q17,Q18,Q20-Q26,E31,E33,E36,E42,		
115	NOTE:		W1,W14,W16-W20,W28,D11-D14,D18,D21-D23.		

DIGITAL EQUIPMENT CORPORATION MAYNARD, MASSACHUSETTS	TITLE PARTS LIST PRINTER LOGIC AND POWER BOARD	SIZE K	CODE FL	DOCUMENT NUMBER M7081-0-DBP	REV D
---	--	-----------	------------	--------------------------------	----------

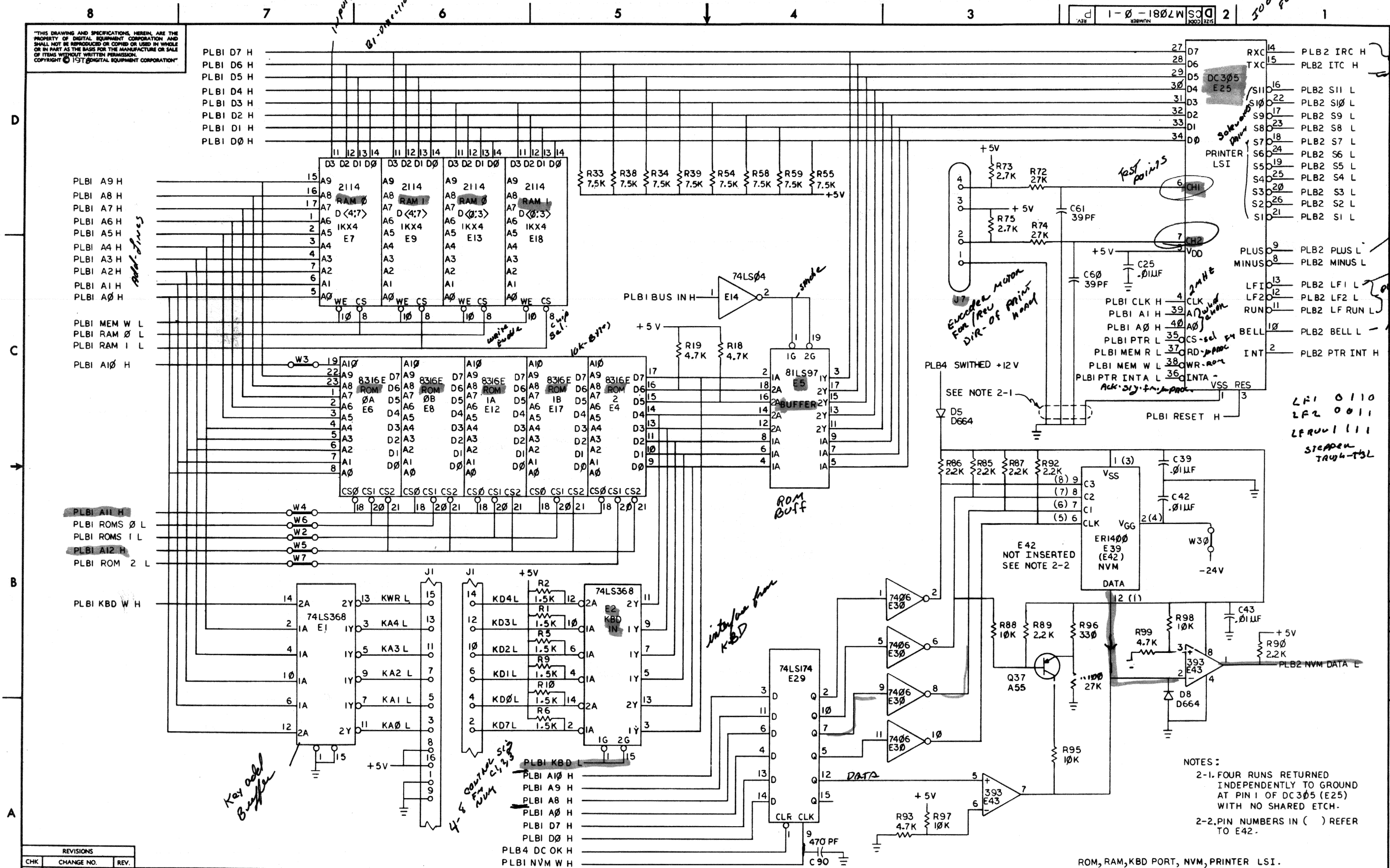
THIS DRAWING AND SPECIFICATIONS, HEREIN, ARE THE PROPERTY OF DIGITAL EQUIPMENT CORPORATION AND SHALL NOT BE REPRODUCED OR COPIED OR USED IN WHOLE OR IN PART AS THE BASIS FOR THE MANUFACTURE OR SALE OF ITEMS WITHOUT WRITTEN PERMISSION.
 COPYRIGHT © 1975, DIGITAL EQUIPMENT CORPORATION



REV.	CHANGE NO.	BY	DATE
1	1	J. BITTO	9-11-77
2	1	J. BITTO	10-11-77
3	1	J. BITTO	11-11-77
4	1	J. BITTO	12-11-77
5	1	J. BITTO	1-11-78
6	1	J. BITTO	2-11-78
7	1	J. BITTO	3-11-78
8	1	J. BITTO	4-11-78
9	1	J. BITTO	5-11-78
10	1	J. BITTO	6-11-78
11	1	J. BITTO	7-11-78
12	1	J. BITTO	8-11-78
13	1	J. BITTO	9-11-78
14	1	J. BITTO	10-11-78
15	1	J. BITTO	11-11-78
16	1	J. BITTO	12-11-78
17	1	J. BITTO	1-11-79
18	1	J. BITTO	2-11-79
19	1	J. BITTO	3-11-79
20	1	J. BITTO	4-11-79
21	1	J. BITTO	5-11-79
22	1	J. BITTO	6-11-79
23	1	J. BITTO	7-11-79
24	1	J. BITTO	8-11-79
25	1	J. BITTO	9-11-79
26	1	J. BITTO	10-11-79
27	1	J. BITTO	11-11-79
28	1	J. BITTO	12-11-79
29	1	J. BITTO	1-11-80
30	1	J. BITTO	2-11-80
31	1	J. BITTO	3-11-80
32	1	J. BITTO	4-11-80
33	1	J. BITTO	5-11-80
34	1	J. BITTO	6-11-80
35	1	J. BITTO	7-11-80
36	1	J. BITTO	8-11-80
37	1	J. BITTO	9-11-80
38	1	J. BITTO	10-11-80
39	1	J. BITTO	11-11-80
40	1	J. BITTO	12-11-80
41	1	J. BITTO	1-11-81
42	1	J. BITTO	2-11-81
43	1	J. BITTO	3-11-81
44	1	J. BITTO	4-11-81
45	1	J. BITTO	5-11-81
46	1	J. BITTO	6-11-81
47	1	J. BITTO	7-11-81
48	1	J. BITTO	8-11-81
49	1	J. BITTO	9-11-81
50	1	J. BITTO	10-11-81
51	1	J. BITTO	11-11-81
52	1	J. BITTO	12-11-81
53	1	J. BITTO	1-11-82
54	1	J. BITTO	2-11-82
55	1	J. BITTO	3-11-82
56	1	J. BITTO	4-11-82
57	1	J. BITTO	5-11-82
58	1	J. BITTO	6-11-82
59	1	J. BITTO	7-11-82
60	1	J. BITTO	8-11-82
61	1	J. BITTO	9-11-82
62	1	J. BITTO	10-11-82
63	1	J. BITTO	11-11-82
64	1	J. BITTO	12-11-82
65	1	J. BITTO	1-11-83
66	1	J. BITTO	2-11-83
67	1	J. BITTO	3-11-83
68	1	J. BITTO	4-11-83
69	1	J. BITTO	5-11-83
70	1	J. BITTO	6-11-83
71	1	J. BITTO	7-11-83
72	1	J. BITTO	8-11-83
73	1	J. BITTO	9-11-83
74	1	J. BITTO	10-11-83
75	1	J. BITTO	11-11-83
76	1	J. BITTO	12-11-83
77	1	J. BITTO	1-11-84
78	1	J. BITTO	2-11-84
79	1	J. BITTO	3-11-84
80	1	J. BITTO	4-11-84
81	1	J. BITTO	5-11-84
82	1	J. BITTO	6-11-84
83	1	J. BITTO	7-11-84
84	1	J. BITTO	8-11-84
85	1	J. BITTO	9-11-84
86	1	J. BITTO	10-11-84
87	1	J. BITTO	11-11-84
88	1	J. BITTO	12-11-84
89	1	J. BITTO	1-11-85
90	1	J. BITTO	2-11-85
91	1	J. BITTO	3-11-85
92	1	J. BITTO	4-11-85
93	1	J. BITTO	5-11-85
94	1	J. BITTO	6-11-85
95	1	J. BITTO	7-11-85
96	1	J. BITTO	8-11-85
97	1	J. BITTO	9-11-85
98	1	J. BITTO	10-11-85
99	1	J. BITTO	11-11-85
100	1	J. BITTO	12-11-85

CPU, CLOCK, BUS, ADR DECODE.			
DRN	CHK'D	FIRST USED ON	digital
1	1	LA120	
2	1		
3	1		
ENG.	PROJ. ENG.	TITLE	PRINTER LOGIC AND POWER BOARD (PLBI)
PROD.			
NEXT HIGHER ASSY.			
B-DD-M7081-0	SIZE	CODE	NUMBER
SCALE	D	CS	M7081-0-1
SHEET	1	OF	7
DIST.			

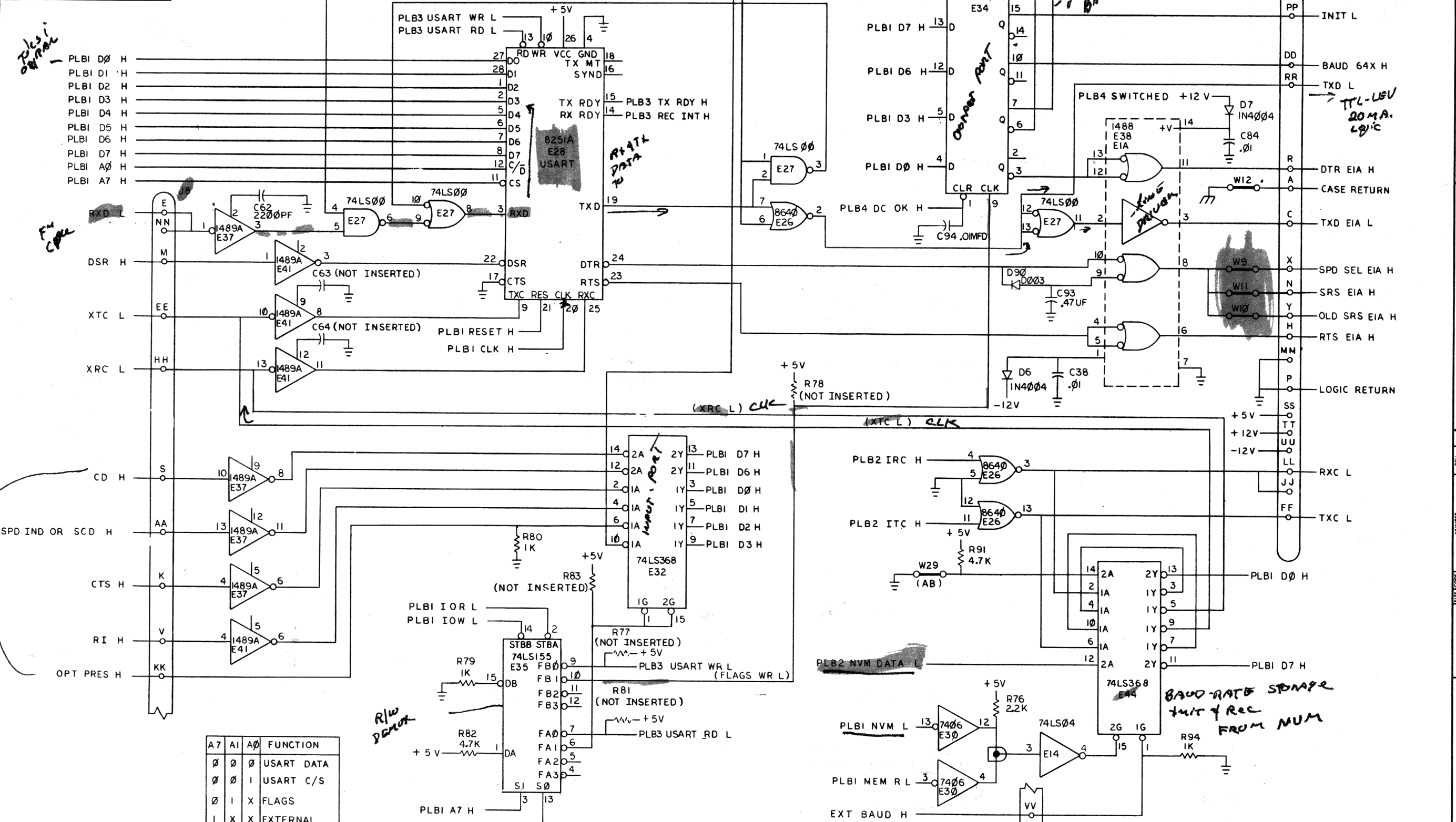
THIS DRAWING AND SPECIFICATIONS HEREIN ARE THE PROPERTY OF DIGITAL EQUIPMENT CORPORATION AND SHALL NOT BE REPRODUCED OR COPIED OR USED IN WHOLE OR IN PART AS THE BASIS FOR THE MANUFACTURE OR SALE OF ITEMS WITHOUT WRITTEN PERMISSION. COPYRIGHT © 1971 DIGITAL EQUIPMENT CORPORATION



REVISIONS		
CHK	CHANGE NO.	REV.

TITLE	PRINTER LOGIC AND POWER BOARD (PLB2)	SIZE CODE	D CS	NUMBER	M7081-0-1	REV.	P
SCALE		SHEET	21	OF	7	DIST.	

THIS DRAWING AND SPECIFICATIONS, HEREIN, ARE THE PROPERTY OF DIGITAL EQUIPMENT CORPORATION AND SHALL NOT BE REPRODUCED OR COPIED OR USED IN WHOLE OR IN PART AS THE BASIS FOR THE MANUFACTURE OR SALE OF ITEMS WITHOUT WRITTEN PERMISSION.
 COPYRIGHT © 1976 DIGITAL EQUIPMENT CORPORATION

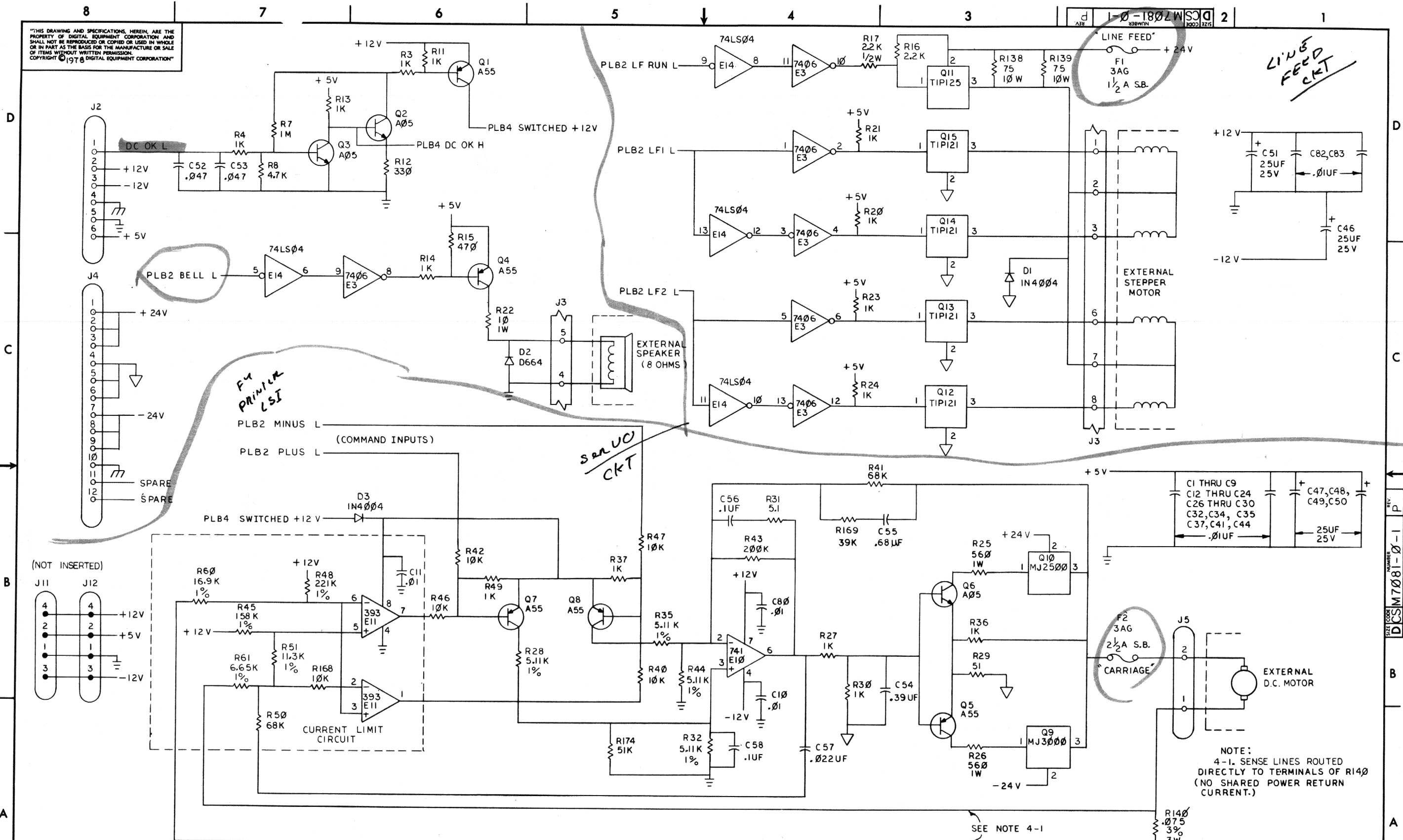


A7	A1	A0	FUNCTION
0	0	0	USART DATA
0	0	1	USART C/S
0	1	X	FLAGS
1	X	X	EXTERNAL

REVISIONS		
CHK	CHANGE NO.	REV.

SIZE CODE NUMBER DCS M7081-0-1 REV. P

"THIS DRAWING AND SPECIFICATIONS HEREIN ARE THE PROPERTY OF DIGITAL EQUIPMENT CORPORATION AND SHALL NOT BE REPRODUCED OR COPIED OR USED IN WHOLE OR IN PART AS THE BASIS FOR THE MANUFACTURE OR SALE OF ITEMS WITHOUT WRITTEN PERMISSION. COPYRIGHT © 1978 DIGITAL EQUIPMENT CORPORATION"



REVISIONS		
CHK	CHANGE NO.	REV.

DEC FORM NO. DRD 138

CARRIAGE, LF, BELL AMPS, PWR ENTRY

TITLE PRINTER LOGIC AND POWER BOARD (PLB4)

SCALE 1/8" = 1"

SHEET 4 OF 7

SIZE CODE DCSM7081-0-1

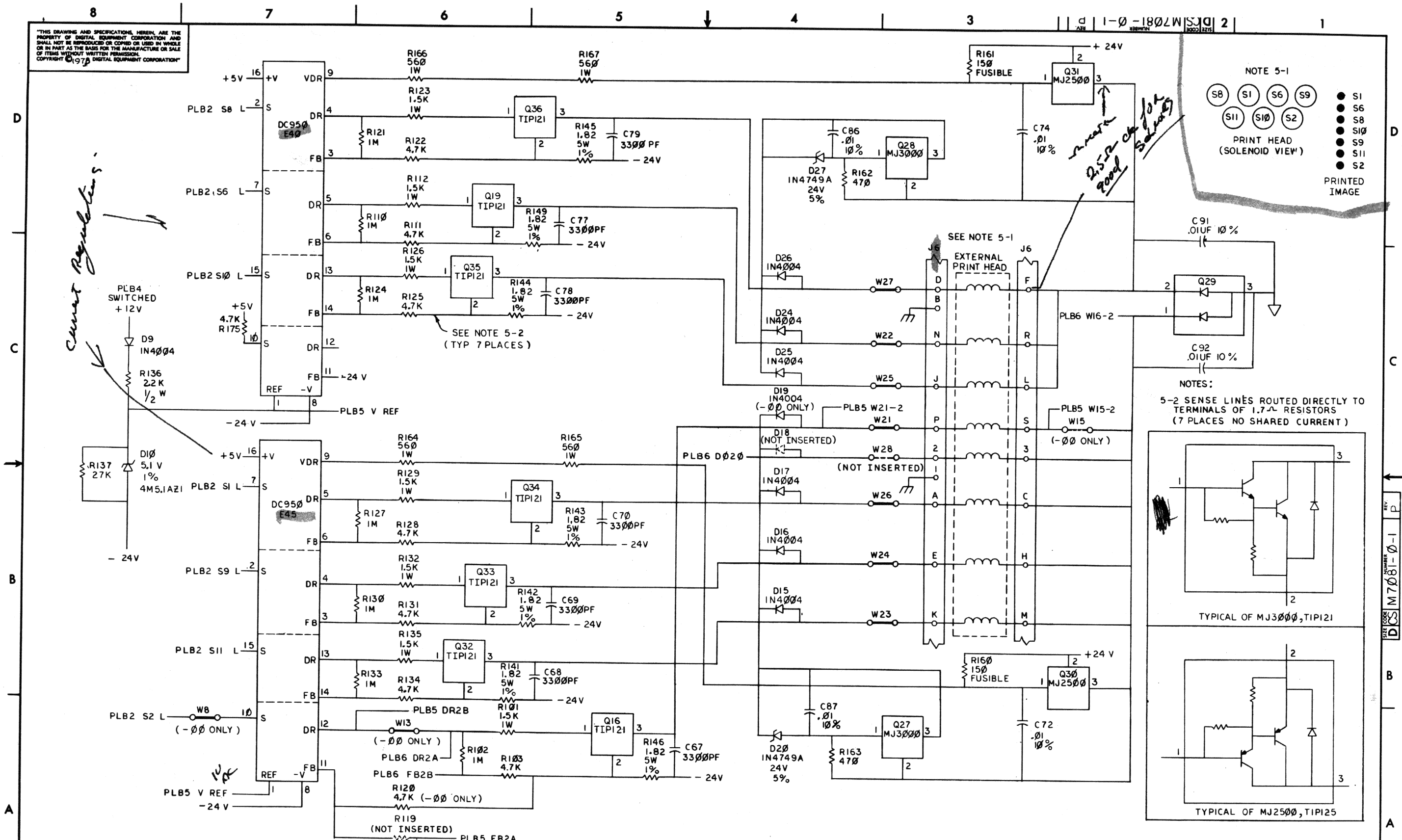
NUMBER 1

REV. P

NUMBER DCSM7081-0-1 REV. P

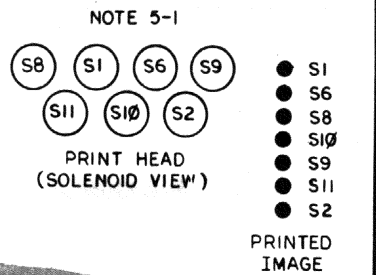
"THIS DRAWING AND SPECIFICATIONS HEREIN ARE THE PROPERTY OF DIGITAL EQUIPMENT CORPORATION AND SHALL NOT BE REPRODUCED OR COPIED OR USED IN WHOLE OR IN PART AS THE BASIS FOR THE MANUFACTURE OR SALE OF ITEMS WITHOUT WRITTEN PERMISSION. COPYRIGHT © 1970 DIGITAL EQUIPMENT CORPORATION"

1-0-180LW[SJD] 2

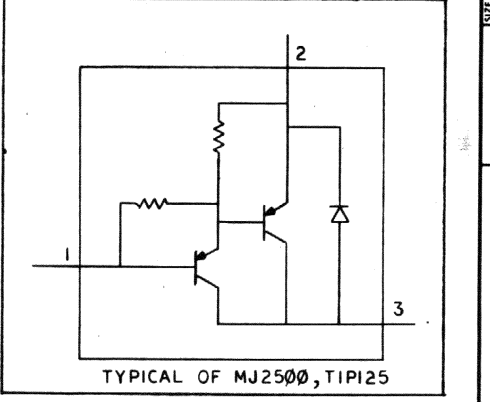
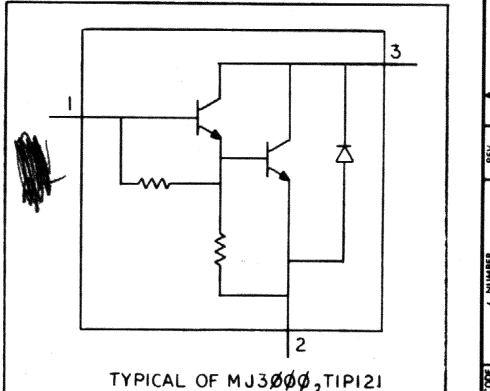


Current Regulators

*2.5A current
2000 ohm
300V*



NOTES:
5-2 SENSE LINES ROUTED DIRECTLY TO TERMINALS OF 1.7Ω RESISTORS (7 PLACES NO SHARED CURRENT)



REVISIONS		
CHK	CHANGE NO.	REV.

HEAD DRIVERS		TITLE	SIZE CODE	NUMBER	REV.
PRINTER LOGIC AND POWER BOARD (PLB5)		D CS	M7081-0-1	P	
SCALE	SHEET 5 OF 7	DIST.			

REV. M7081-0-1 P

"THIS DRAWING AND SPECIFICATIONS, HEREIN, ARE THE PROPERTY OF DIGITAL EQUIPMENT CORPORATION AND SHALL NOT BE REPRODUCED OR COPIED OR USED IN WHOLE OR IN PART AS THE BASIS FOR THE MANUFACTURE OR SALE OF ITEMS WITHOUT WRITTEN PERMISSION. COPYRIGHT © 1978 DIGITAL EQUIPMENT CORPORATION"

IC POWER PINS NOT OTHERWISE SPECIFIED IN SCHEMATIC.

+5V = PIN 14, \bar{V} = PIN 7
E3, E14 - E16, E19, E21, E27, E30, E37, E41

+5V = PIN 16, \bar{V} = PIN 8
E1, E2, E20, E29, E32, E34, E35, E44

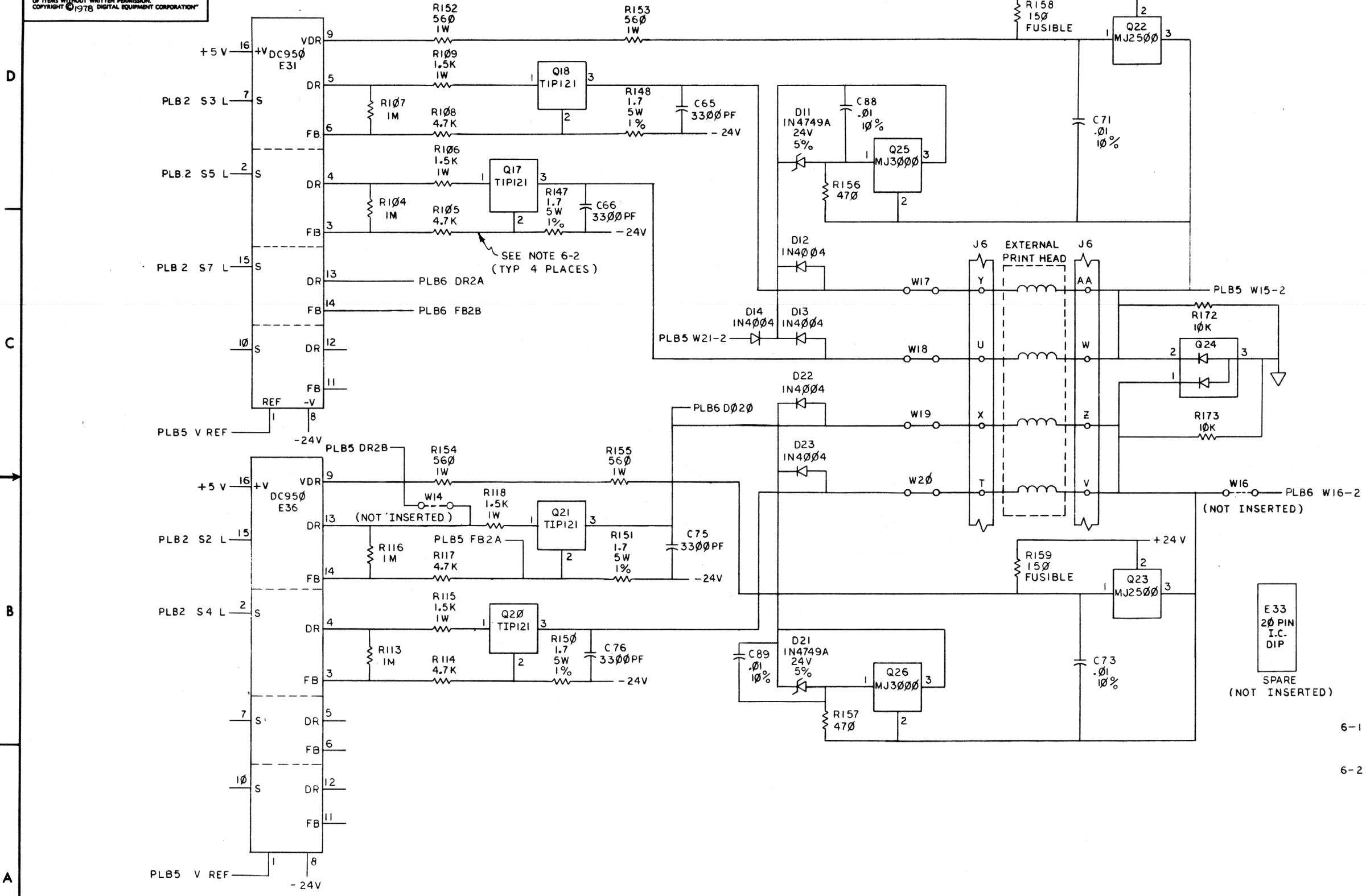
+5V = PIN 18, \bar{V} = PIN 9
E7, E9, E13, E18

+5V = PIN 20, \bar{V} = PIN 10
E5, E33

+5V = PIN 24, \bar{V} = PIN 12
E4, E6, E8, E12, E17

+5V = PIN 8, \bar{V} = PIN 1
E26

REFER TO SCHEMATIC FOR POWER PINS ON
E10, E11, E22, E23 - E25, E28, E31, E36,
E38, E39, E40, E42, E43, E45



E33
20 PIN
I.C.
DIP
SPARE
(NOT INSERTED)

NOTES:
6-1 COMPONENTS ON THIS SHEET ONLY INSERTED IN -YA VARIATION
6-2 SENSE LINES ROUTED DIRECTLY TO TERMINALS OF 1.7 RESISTORS (4 PLACES NO SHARED CURRENT)

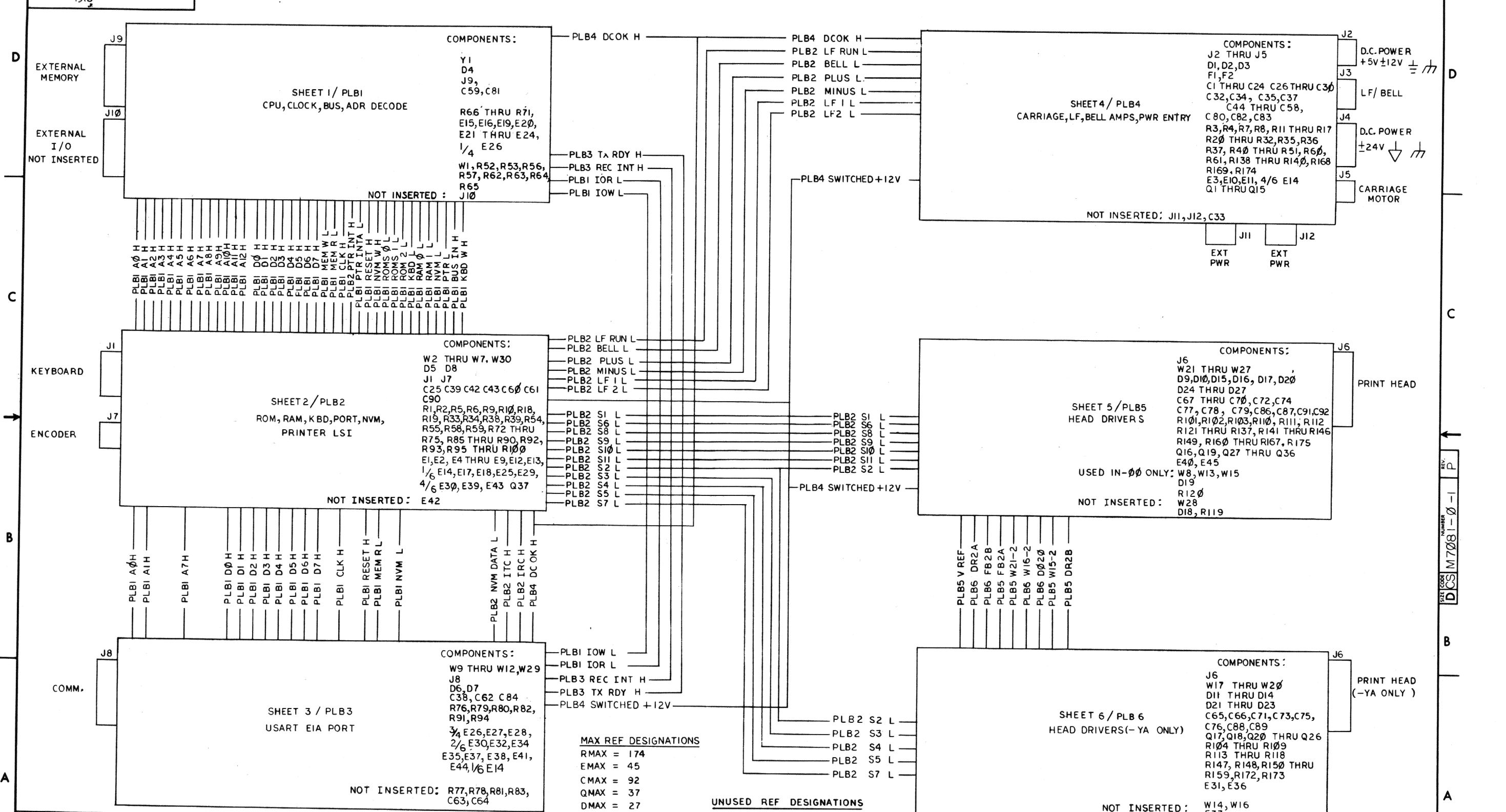
REVISIONS		
CHK	CHANGE NO.	REV.

HEAD DRIVERS(-YA ONLY, SEE NOTE 6-1)

TITLE	PRINTER LOGIC AND POWER BOARD (PLB6)	SIZE CODE	D	NUMBER	M7081-0-1	REV.	P
SCALE	1/1	SHEET	6 OF 7	DIST.			

THIS DRAWING AND SPECIFICATIONS HEREIN ARE THE PROPERTY OF DIGITAL EQUIPMENT CORPORATION AND SHALL NOT BE REPRODUCED OR COPIED OR USED IN WHOLE OR IN PART AS THE BASIS FOR THE MANUFACTURE OR SALE OF ITEMS WITHOUT WRITTEN PERMISSION.
 COPYRIGHT © 1978 DIGITAL EQUIPMENT CORPORATION

1-0-1802W SC 2



REVISIONS		
CHK	CHANGE NO.	REV.

OVERVIEW
 TITLE PRINTER LOGIC AND POWER BOARD
 SIZE CODE DCS
 NUMBER M7081-0-1
 REV. F
 SCALE 1/1 SHEET 7 OF 7 DIST.

8

0-0-9026145 7

6

5

4

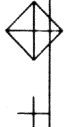
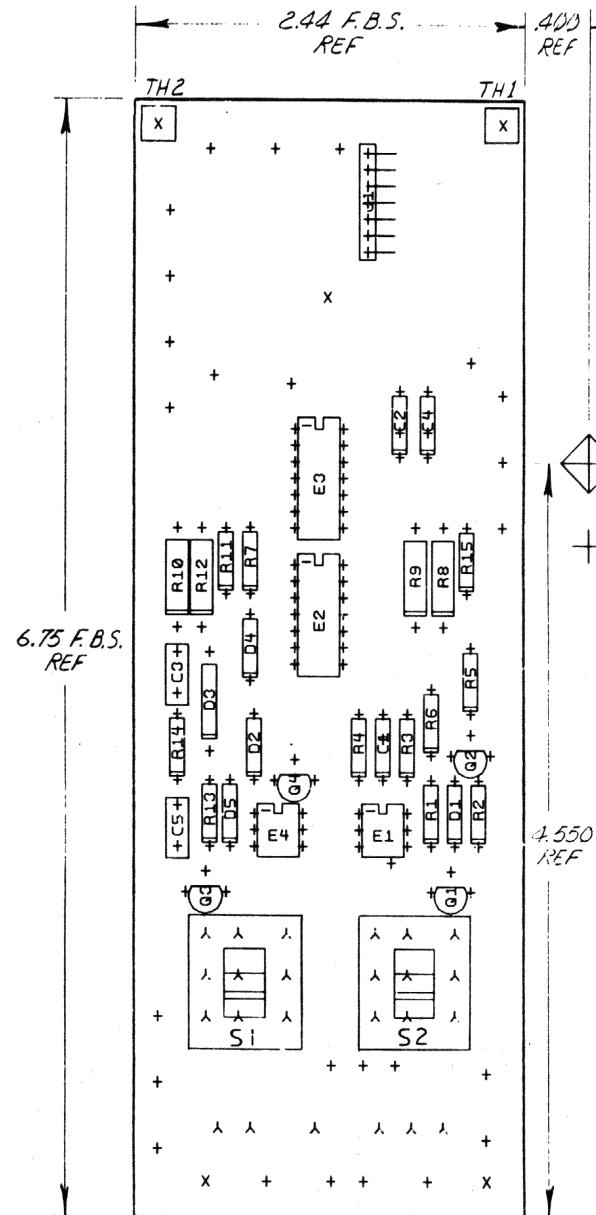
3

2

1

THIS DRAWING AND SPECIFICATIONS, HEREIN, ARE THE PROPERTY OF DIGITAL EQUIPMENT CORPORATION AND SHALL NOT BE REPRODUCED OR COPIED OR USED IN WHOLE OR IN PART AS THE BASIS FOR THE MANUFACTURE OR SALE OF ITEMS WITHOUT WRITTEN PERMISSION. COPYRIGHT © 1980 DIGITAL EQUIPMENT CORPORATION

COMPONENT SIDE VIEW



NOTES:

STEP 1	→ Y AXIS	STEP 0 TIMES
REPRT	→ X AXIS	2.750/2.5/2.750

CHK/CHANGE NO	REV	DATE
5413206-FN001	C	
REVISED & REDRAWN		
J. DEMARINIS		10-1-80

ETCH REV. D

SIGNATURES		DATE	digital
DRN. V. PARECHANIAN		11-77	
CHK. D. M. MORTENSEN		11-77	
MECH. ENG. M. MORTENSEN		4-78	
PROJ. ENG. N. FORRESTER		5-78	
PROD. R. PUCCI		6-78	
SCALE 2/1			TITLE
SHT. 1 OF			20 MA ADAPTER
NEXT HIGHER ASSY. B-DD-5413206-0			SIZE CODE
			D UA 5413206-0-01
			NUMBER
			REV

8

7

6

5

4

3

2

1 WO#150-26

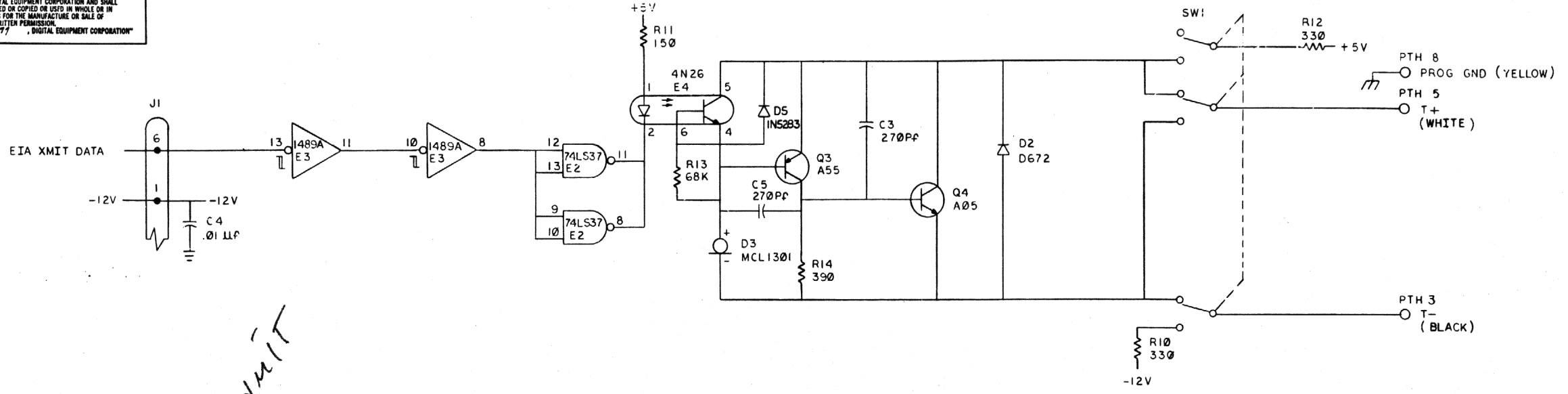
LINE	ITEM	DOCUMENT NUMBER	PART NUMBER	DESCRIPTION	QTY PER VARIATION	REFERENCE DESIGNATOR
					00	
1	1	D-4D-5013205-0-0	5013205-00	ETCH BOARD FOR 5413206	1	
2	2		1000022-00	270.0 MMF 100V 5%200PPM MICA	2	C3,C5
3	3		1001610-00	.01 MFD 50V +80-20% 250 CER	3	C1,C2,C4
4	4		1105275-00	D 672 TR= 15NS PIV= 60V SI	3	D1,D2,D4
5	5		1105610-00	MCL1301 CL31MA FROM10-80V	1	D3
6	6		1215048-01	CONN 7POS RT ANGLE	1	J1
7	7		1215089-00	Sw,SLIDE 3P 1A DBLE THROW	2	S1,S2
8	8		1301522-00	27.0 .25 W 5.0 % CC	1	R2
9	9		1300250-00	150.0 .25 W 5.0 % CC	2	R11,R15
10	10		1300296-00	330.0 .50 W 5.0 % CC	4	R8,R9,R10,R12
11	11		1300309-00	390.0 .25 W 5.0 % CC	2	R1,R14
12	12		1300391-00	1.50 K .25 W 5.0 % CC	1	R7
13	13		1300444-00	3.90 K .25 W 5.0 % CC	1	R6
14	14		1300539-00	120.0 K .25 W 5.0 % CC	1	R4
15	15		1301327-00	68.0 K .25 W 5.0 % CC	1	R13
16	16		1301401-00	750.0 .25 W 5.0 % CC	1	R3
17	17		1301422-00	7.50 K .25 W 5.0 % CC	1	R5
18	18		1509338-00	DEC6531B NPN 310MA SI 40 90 P	2	Q1,Q2
19	19		1510705-00	XA 05 NPN 500MA SI 60 50 P	1	Q4
20	20		1510706-00	XA 55 PNP 500MA SI 60 50 P	1	Q3
21	21		1916959-00	POTOTRANSISTOR	2	E1,E4
22	22		1912817-00	LS37 NAND GATE=QUAD 2IN,P	1	E2
23	23		1913130-00	DEC 1489A RECEIVER,LINE,QUAD,	1	E3
24	24		1113003-00	IN 5282 PIV=55 I=500M D035	1	D5

REVISION HISTORY			BASIC PART NO: 5413206			D I G I T A L		
ENG	ECD NUMBER	REV	SECTION A OF A	DRN:	DATE:	TITLE		
---	INIT	B	SECTION VARIATION INDEX	T. SNETRAWSKI	30-MAR-78	PARTS LIST		
JB	5413206-PN001	C	(A) 00	T. SNETRAWSKI	30-MAR-78	20 MA ADAPTER		
			(B)					
			(C)	DES.ENG: M. MORGENSTERN	30-MAR-78			
			(D)					
			(E)					
			(F)	RESP.ENG.: M. MORGENSTERN	30-MAR-78	DOCUMENT NUMBER		
			(H)					
			(J)					
			(K)	MFG.ENG.: T. CORCIARI	30-MAR-78	K	PL	5413206-0-DBP
			(L)					
			(M)	ASSEMBLY NUMBER:	POP DOCUMENT NUMBER:	FILE NAME:		EDIT #
			(N)	D-UA-5413206-0-0	VE100	13206C.PLS		6

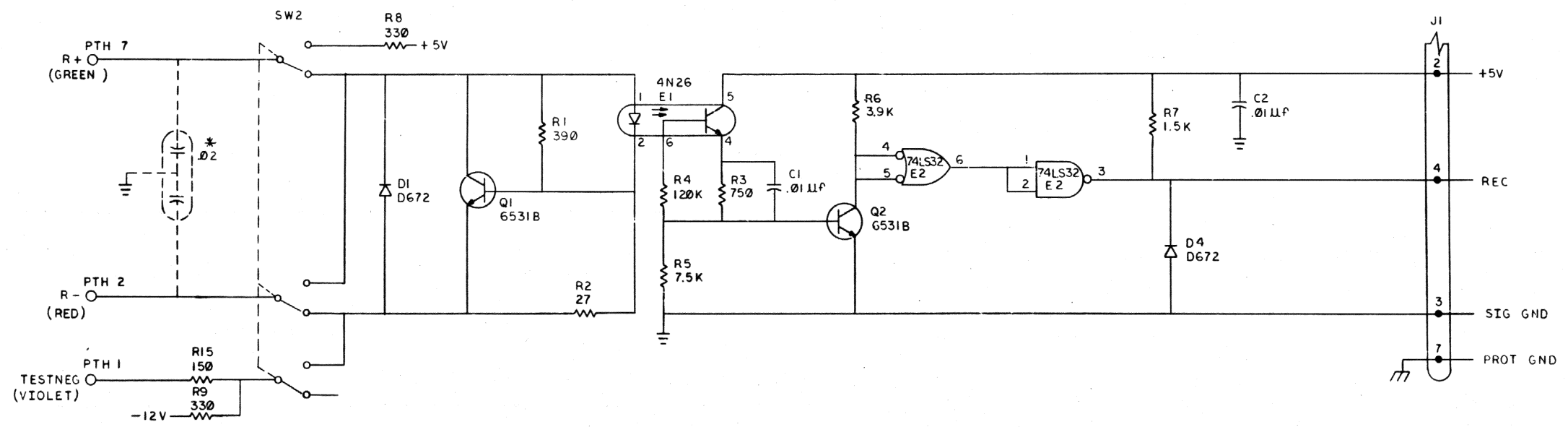
"THIS DRAWING AND SPECIFICATIONS HEREIN, ARE THE PROPERTY OF DIGITAL EQUIPMENT CORPORATION AND SHALL NOT BE REPRODUCED OR COPIED OR USED IN WHOLE OR IN PART AS THE BASIS FOR THE MANUFACTURE OR SALE OF ITEMS WITHOUT WRITTEN PERMISSION. COPYRIGHT (C) 1980, DIGITAL EQUIPMENT CORPORATION"

THIS DRAWING AND SPECIFICATIONS, HEREIN, ARE THE PROPERTY OF DIGITAL EQUIPMENT CORPORATION AND SHALL NOT BE REPRODUCED OR COPIED OR USED IN WHOLE OR IN PART AS THE BASIS FOR THE MANUFACTURE OR SALE OF ITEMS WITHOUT WRITTEN PERMISSION.
 COPYRIGHT © 1977, DIGITAL EQUIPMENT CORPORATION

8 7 6 5 4 3 2 1



XMIT



NOTE:
 I. * OPTIONAL

Rec.

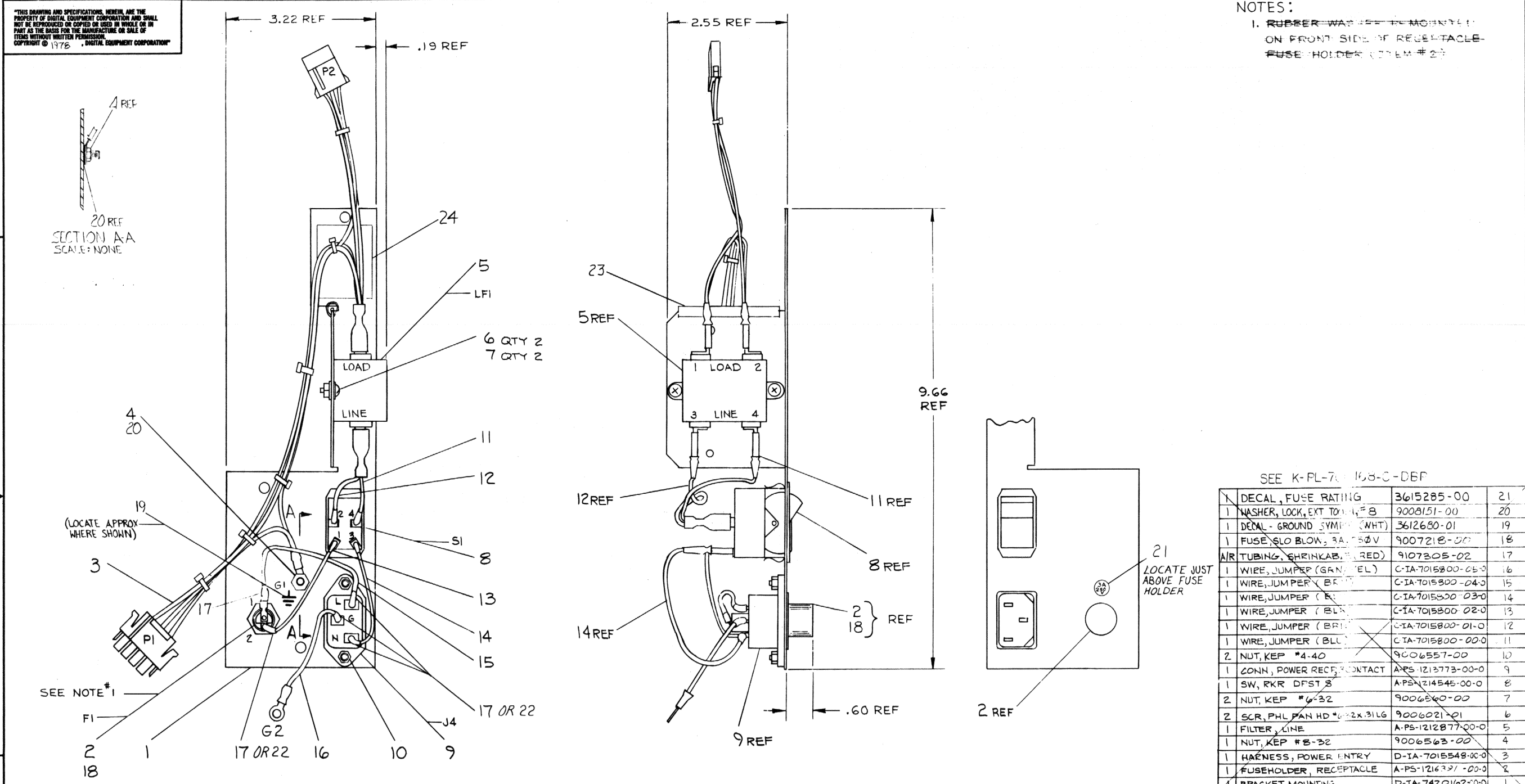
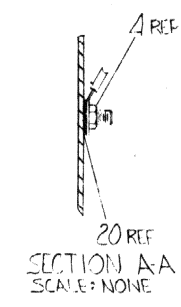
REV.	CHG.	NO.	DATE	BY
1				

DRN	CHK'D	ENG.	PROJ. ENG.	PROD.	FIRST USED ON	VT100	digital
					TITLE	20 MA ADAPTOR	
					SIZE	CODE	NUMBER
					D-UA-5413206-0-0	D	CS 5413206-0-1
					SCALE		REV. C
					SHEET	OF	DIST.

8 7 6 5 4 3 2 1

"THIS DRAWING AND SPECIFICATIONS, HEREIN, ARE THE PROPERTY OF DIGITAL EQUIPMENT CORPORATION AND SHALL NOT BE REPRODUCED OR COPIED OR USED IN WHOLE OR IN PART AS THE BASIS FOR THE MANUFACTURE OR SALE OF ITEMS WITHOUT WRITTEN PERMISSION. COPYRIGHT © 1978, DIGITAL EQUIPMENT CORPORATION"

NOTES:
 1. RUBBER WASHER TO BE MOUNTED ON FRONT SIDE OF RECEPTACLE-FUSE HOLDER (ITEM # 2)



SEE K-PL-7015168-C-DEF

DESCRIPTION	DWG./PART NO.	ITEM NO.
DECAL, FUSE RATING	3615285-00	21
1 WASHER, LOCK, EXT TORQUE	9008151-00	20
1 DECAL - GROUND SYMBOL (WHT)	3612680-01	19
1 FUSE, SLO BLOW, 3A, 250V	9007218-00	18
AIR TUBING, SHRINKABLE (RED)	9107305-02	17
1 WIRE, JUMPER (GRN, 26L)	C-IA-7015800-05-0	16
1 WIRE, JUMPER (BRN)	C-IA-7015800-04-0	15
1 WIRE, JUMPER (BLK)	C-IA-7015800-03-0	14
1 WIRE, JUMPER (BLK)	C-IA-7015800-02-0	13
1 WIRE, JUMPER (BRN)	C-IA-7015800-01-0	12
1 WIRE, JUMPER (BLK)	C-IA-7015800-00-0	11
2 NUT, KEP #4-40	9006557-00	10
1 CONN, POWER RECP CONTACT	A-PS-1213773-00-0	9
1 SW, RKR DFST S	A-PS-1214545-00-0	8
2 NUT, KEP #6-32	9006540-00	7
2 SCR, PHL PAN HD #6-32x.316	9006021-01	6
1 FILTER, LINE	A-PS-1212877-00-0	5
1 NUT, KEP #8-32	9006563-00	4
1 HARNESS, POWER ENTRY	D-IA-7015168-00-0	3
1 FUSEHOLDER, RECEPTACLE	A-PS-1216321-00-0	2
1 BRACKET, MOUNTING	D-IA-7420162-00-0	1

DESCRIPTION		DWG./PART NO.	ITEM NO.
UNLESS OTHERWISE SPECIFIED DIMENSIONS ARE IN INCHES			
ANGLES	CLASS OF ACCURACY	NOMINAL DIMENSION RANGE INCHES	
30° 30'	(CHECK ONE)	OVER 0 TO .25	OVER .25 TO .40
SURFACE QUALITY	MEDIUM	OVER .40 TO 12.0	OVER 12.0 TO 40.0
IN	PREFERRED	OVER 40.0 TO 80.0	OVER 80.0 TO 100.0
MICROINCHES		±.012	±.016
		±.025	±.04
		±.04	±.04

QUANTITY & VARIATION

THIRD ANGLE PROJECTION

DRN: *[Signature]* 21 MAR 78
 CHK: *[Signature]* 19 APR 78
 ENG: *[Signature]* 12 MAR 78
 PROJ. ENG: *[Signature]* 12 MAR 78
 PROD: *[Signature]* 12 MAR 78

FIRST USED ON: LA120

TITLE: POWER ENTRY BRACKET ASSY (CVT)

MATERIAL: SEE K-PL
 FINISH: *[Symbol]*

SIZE CODE: E-UA-LA120-0-0
 SCALE: 1/1

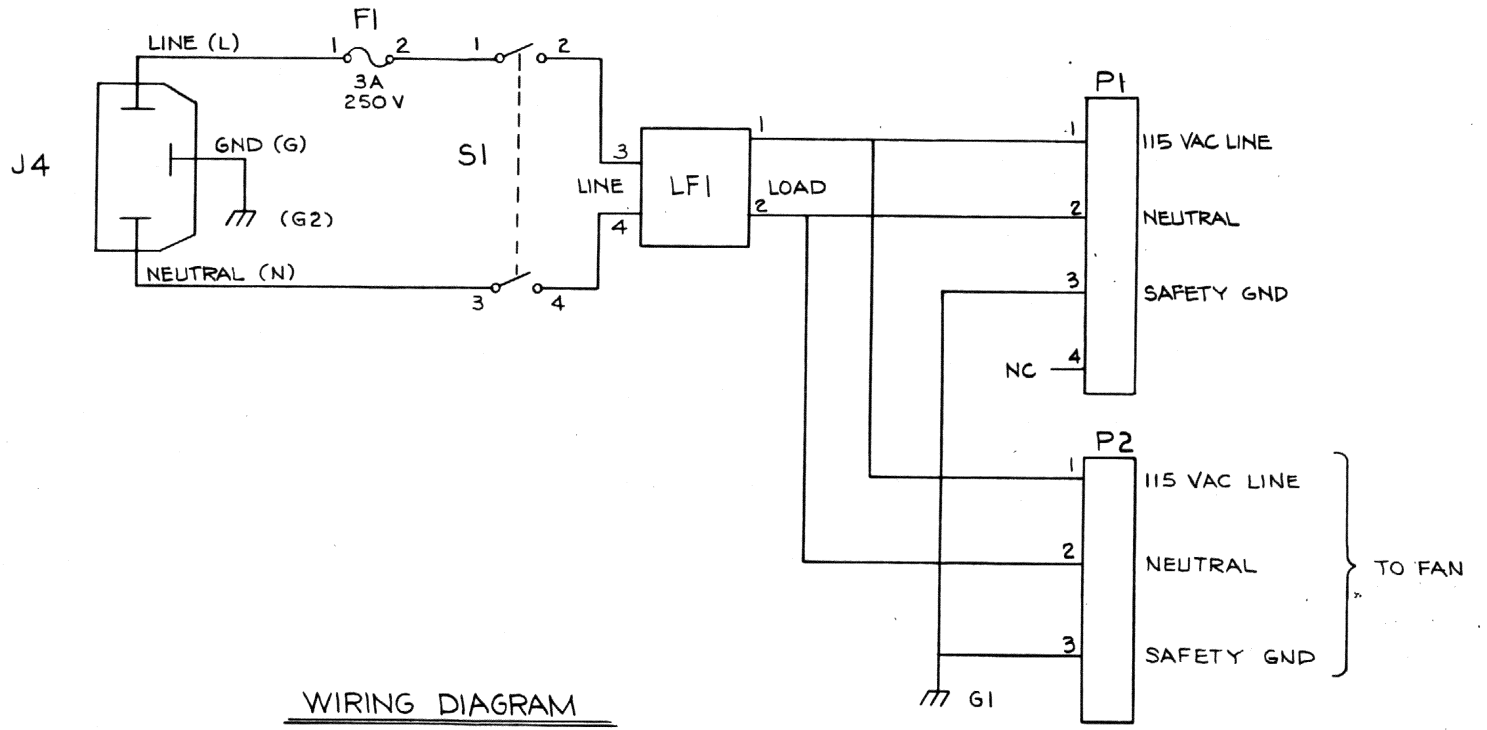
NUMBER: D IA 7015168-0-0
 REV: E

REVISIONS

REV.	CHANGE NO.	BY	DATE
A	LA120-PN013	H. RASMUSSEN	21 MAR 78
B	LA120-PN017	H. RASMUSSEN	21 MAR 78
C	7015168-PN001	J. BITTO	21 MAR 78
D	7015168-PN002	J. BITTO	21 MAR 78
E	7015168-PN003	B. O'CONNELL	21 MAR 78

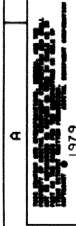
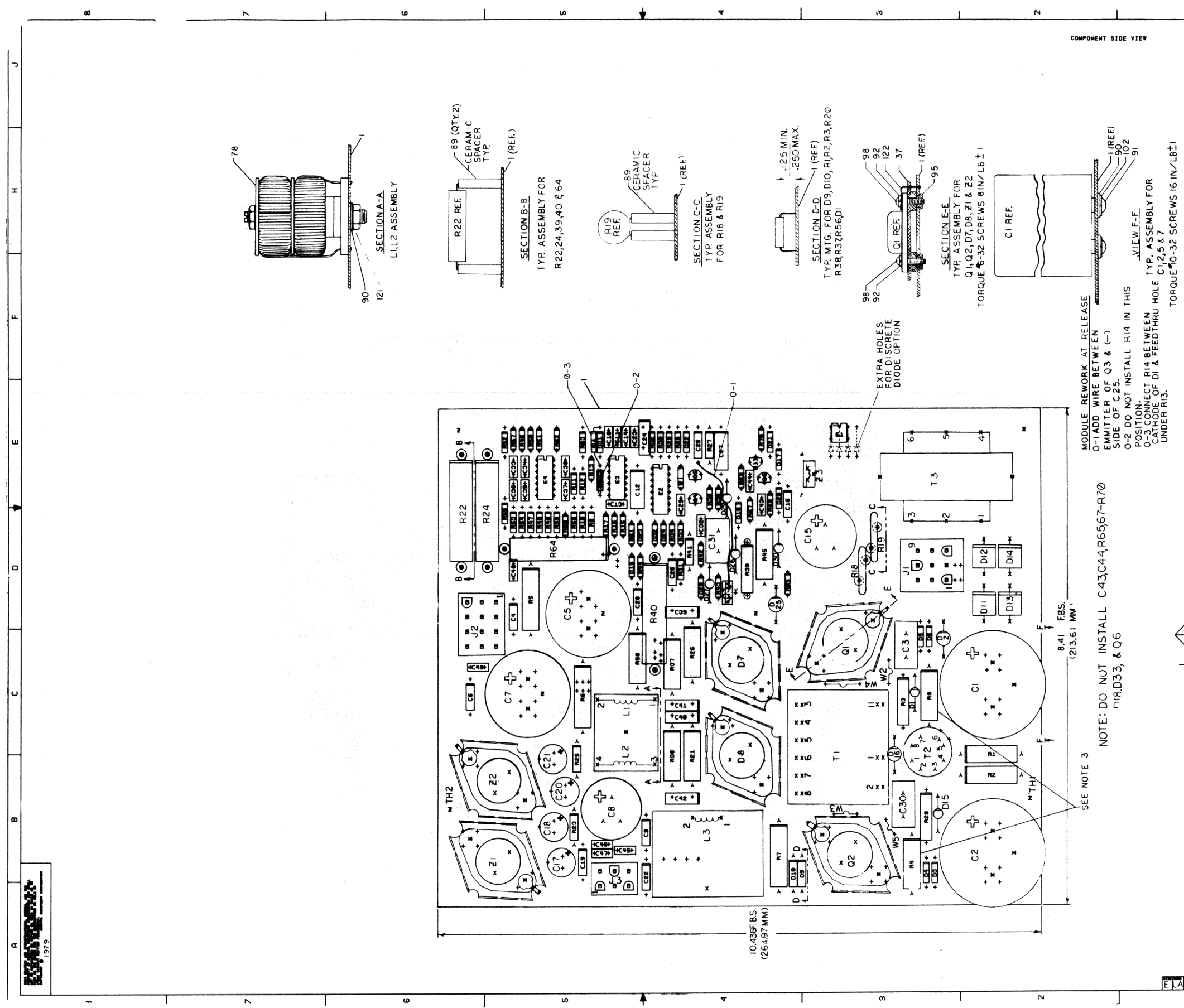
"THIS DRAWING AND SPECIFICATIONS HEREIN ARE THE PROPERTY OF DIGITAL EQUIPMENT CORPORATION AND SHALL NOT BE REPRODUCED OR COPIED OR USED IN WHOLE OR IN PART AS THE BASIS FOR THE MANUFACTURE OR SALE OF ITEMS WITHOUT WRITTEN PERMISSION. COPYRIGHT © 1978 DIGITAL EQUIPMENT CORPORATION"

WIRE TABLE									
ITEM NO	DESCRIPTION		FROM			TO			REMARKS
	AWG	COLOR	POINT	CONN	WITH	POINT	CONN	WITH	
3	18	GRN/YEL	1	-	-	-	ITEM 1-G1	ITEM 4:2	
		BLU	8	-	-	-	LFI-2	-	
		BRN	9	-	-	-	LFI-1	-	
11		BLU	-	LFI-4	-	-	SI-4	-	
12		BRN	-	LFI-3	-	-	SI-2	-	
13		BLK	-	SI-1	-	-	F1-2	SOL & 17	
14		BLU	-	SI-3	-	-	J4-N	SOL & 17	
15	18	BRN	-	J4-L	SOL & 17	-	F1-1	SOL & 17	
16	14	GRN/YEL	-	J4-G	SOL & 17	-	-	-	



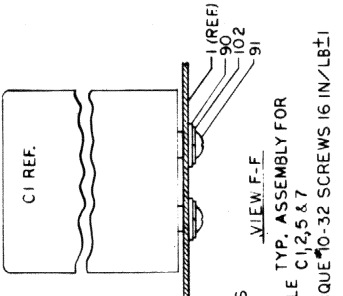
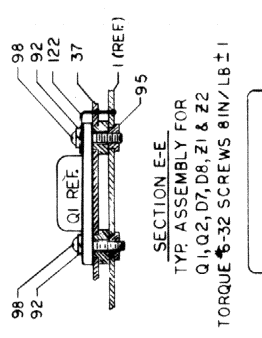
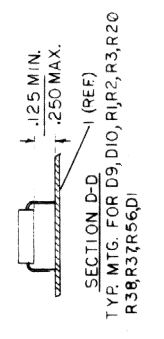
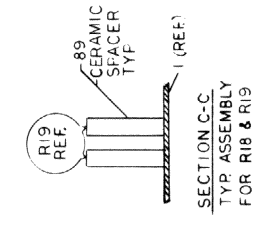
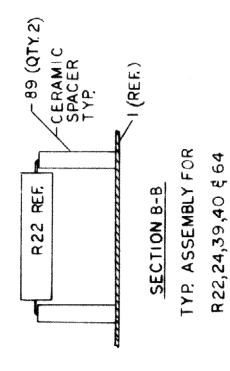
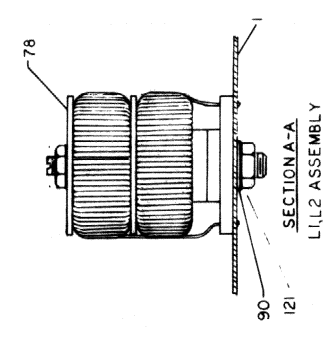
WIRING DIAGRAM

REVISIONS		
CHK	CHANGE NO.	REV.



1 2 3 4 5 6 7 8 A B C D E F H J

1 2 3 4 5 6 7 8



MODULE REMOVED AT RELEASE
O-1 ADD WIRE BETWEEN
EMITTER OF Q3 & (-)
SIDE OF C25.
O-2 DO NOT INSTALL R14 IN THIS
POSITION.
O-3 CONNECT R14 BETWEEN
CATHODE OF DI & FEEDTHRU HOLE
UNDER R15.

10.436F BS.
(26.497 MM)

8.41 FBS.
(213.61 MM)

SEE NOTE 3

NOTE: DO NOT INSTALL C43, C44, R65, R7-R10,
R18, D33, & Q6

E LA 5413673-G-0

NOTES:
1. THIS DRAWING REQUIRES ALL APPROVAL
SIGNED BY THE DESIGNER.
2. R14, R9 ARE FUSIBLE RESISTORS

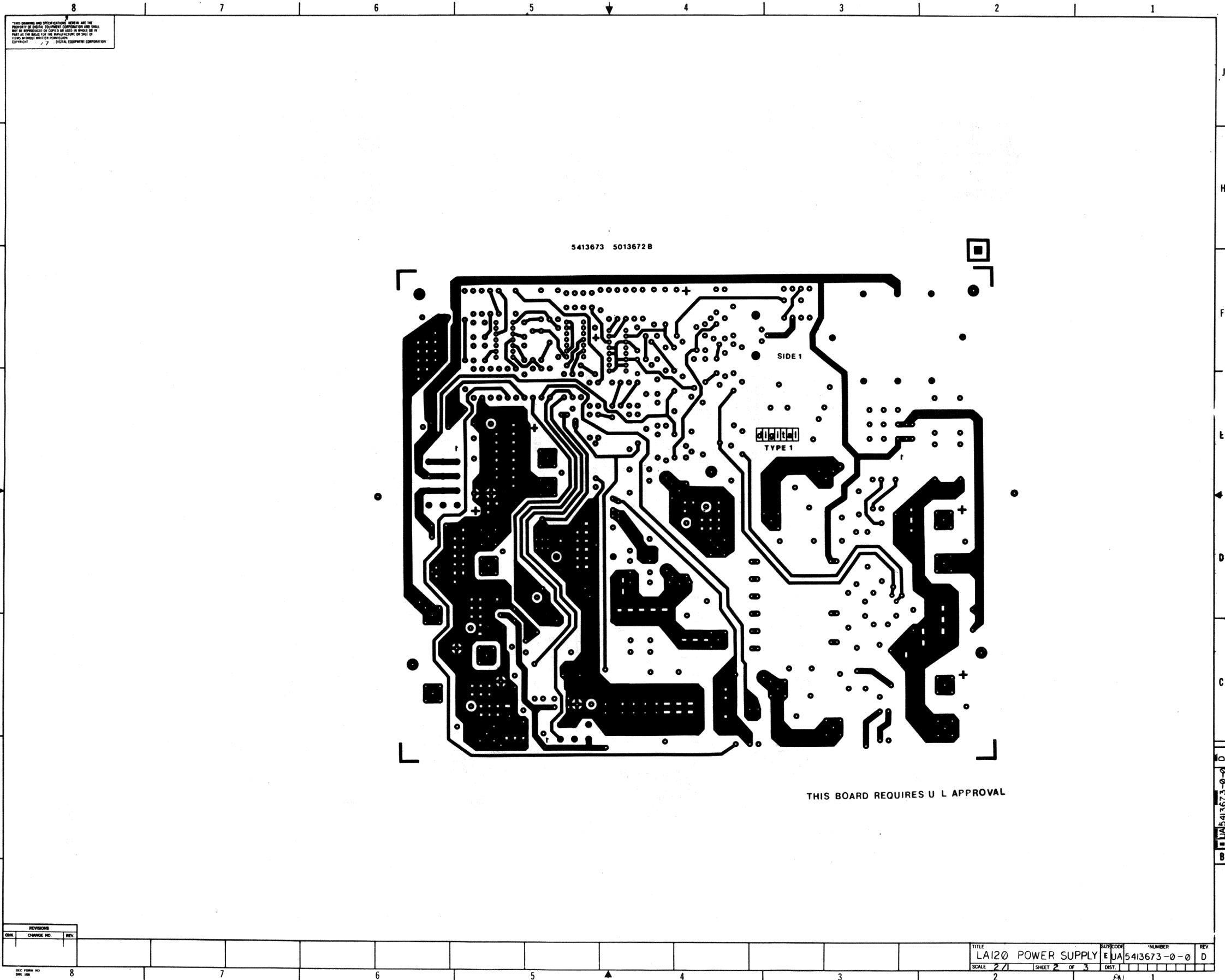
CHANGE NO. REV.:

NO.	REV.	DATE	BY	CHKD.	APPV.
1	1	5-22-63	W. J.
1	2	5-22-63
1	3	5-22-63

DATE: 5-22-63
DRAWN BY: W. J. ...
CHKD. BY: ...
APPV. BY: ...
TITLE: LA120 POWER SUPPLY
PART NUMBER: ULA 5413673-G-0
BITZER CODE NUMBER: 5-22-63
E: ULA 5413673-G-0

DATE: 5-22-63
DRAWN BY: W. J. ...
CHKD. BY: ...
APPV. BY: ...
TITLE: LA120 POWER SUPPLY
PART NUMBER: ULA 5413673-G-0
BITZER CODE NUMBER: 5-22-63
E: ULA 5413673-G-0

1 2 3 4 5 6 7 8 A B C D E F H J



5413673 5013672B

SIDE 1

TYPE 1

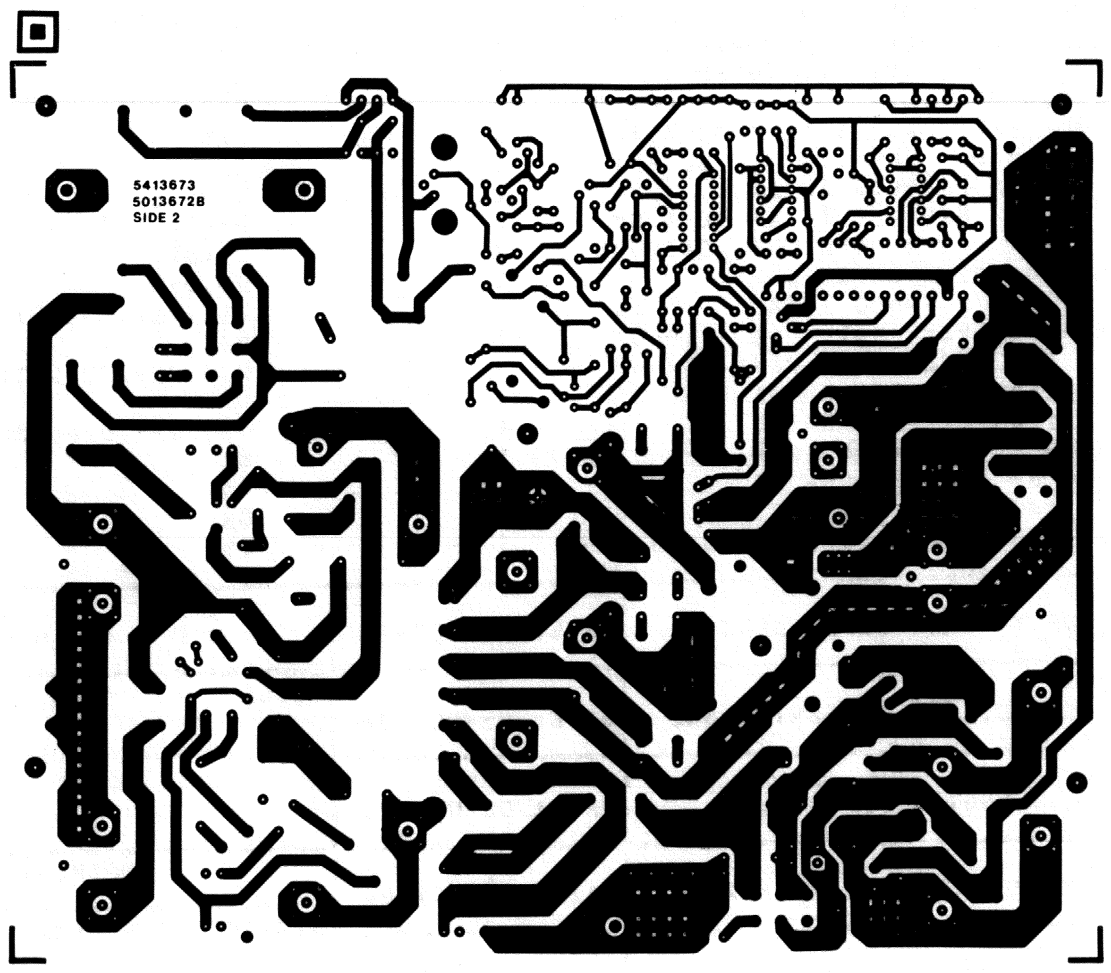
THIS BOARD REQUIRES U L APPROVAL

REVISIONS		
CHK	CHANGE NO.	REV.

TITLE	LA120 POWER SUPPLY	SIZE CODE	EUA	NUMBER	5413673-0-0	REV	D
SCALE	2/1	SHEET	2	OF	3	DIST.	

EUA 5413673-0-0 D

THIS DRAWING AND SPECIFICATIONS, HEREIN, ARE THE PROPERTY OF MILITARY EQUIPMENT CORPORATION AND SHALL NOT BE REPRODUCED OR COPIED IN WHOLE OR IN PART FOR THE BASIS FOR THE MANUFACTURE OR SALE OF OTHER EQUIPMENT WITHOUT PERMISSION.
CORPORATION C-1777 MILITARY EQUIPMENT CORPORATION



5413673
5013672B
SIDE 2

THIS BOARD REQUIRES U L APPROVAL

REVISIONS		
CHK	CHANGE NO	REV.

TITLE	LA120 POWER SUPPLY	SIZE CODE	E LA	NUMBER	5413673-0-0	REV.	0
SCALE	2/1	SHEET	2	OF	3	DIST	1 1 1 1 1 1 1 1 1 1

5413673-0-0
0

LINE ITEM	DOCUMENT NUMBER	PART NUMBER	DESCRIPTION	QTY PER VARIATION		REFERENCE DESIGNATOR
				00		
1	E-MD=5013672-0-0	5013672-00	DRILL & ETCH BD	1		
2		1016117-00	1600 MFD 200V +50-10% AL EL	2		C1,C2
3		1014139-00	.0022 MFD 600V 10%	2		C3,C30
4		1013466-11	.22 MFD 50V +80/-20% CER.	7		C4,C6,C9-C16,C19,C22,C25
5		1016233-00	14,000 MFD 28V +,-20% AL EL	2		C5,C7
6		1014260-03	8200 MFD 6.3V G% AL EL	1		C8
7		1001610-01	.01 MFD 100V -20+80 Z5U DISC	9		C10,C11,C13,C14,C45-C49
8		1005507-00	1 MFD 100V E% 30D AL EL	2		C12,C27
9		1014260-02	2100 MFD 40V	1		C15
10		1014526-00	180 MFD 40V H% AL EL	2		C17,C20
11		1012607-00	560 MFD 20V H% 672D AL EL	2		C18,C21
12		1000055-00	2200.0 MMF 250V 20% Y5S DISC	5		C32,C39-C42
13		1011847-01	.01 MFD 400V 10% POLYPROP	1		C31
14		1014170-00	2700.0 MMF 100V 1% 70PPM	1		C24
15		1000016-00	100.0 MMF 100V 5%200PPM DM15S	2		C23,C29
16		1005328-00	.33 MFD 20V 10% 150D S.TA	1		C26
17		1004812-00	15 MFD 20V 10% S.TANT	1		C28
18		1112595-02	A114M PIV=600 I= 1A	2		D1,D15
19		1105796-00	1N 4004 PIV=400 I= 1A D041 SP	8		D3-D6,D17,D21,D31,D20
20		1114192-00	TR=200NS COM. CATHODE	2		D7,D8
21		1114893-00	UES1301 PIV= 50 I= 6A	2		D9,D10
22		1110615-01	PIV=600 I=6A SI	4		D11,D12,D13,D14
23		1105873-00	4M5-1AZ1 VZ= 5.1 1% .400W	1		D22
24		1100114-00	D 664 QS\75PCB PIV= 25V SP	5		D23,D24,D28,D19,D32
25		1112594-01	A115B PIV=200 I= 3A	1		D25
26		1112595-01	A114B PIV=200 I= 1A	4		D26,D27,D29,D30
27		1115369-00	VM 18 PIV=100 I=1A	1		E1
28		1510706-00	XA 55 PNP 500MW SI 60 50 P	1		Q4
29		1514271-01	D 44Q5 NPN 31W SI225 30	1		Q3
30		1510705-00	XA 05 NPN 500MW SI 60 50 P	1		Q5

REVISION HISTORY			BASIC PART NO: 5413673								
ENG:	ECU NUMBER	REV	SECTION A OF A	DRN:	JERRY BEST	DATE:	05-OCT-78	D I G I T A L			
---	INIT	B	SECTION VARIATION INDEX	CHK'D:	T. SHETRANSKI	DATE:	05-OCT-78	TITLE PARTS LIST			
DS	5413673-PN002	C	(A) 00	DES.ENG:	DAN SHEEHAN	DATE:	05-OCT-78	LA120 POWER SUPPLY			
JB	5413673-PN003	D	(B)	RESP.ENG.:	DAN SHEEHAN	DATE:	05-OCT-78	DOCUMENT NUMBER			
			(C)	MFG.ENG.:	JIM JOYCE	DATE:	09-APR-79	SIZE:	CODE:	NUMBER	REV
			(D)	ASSEMBLY NUMBER:	D-UA-5413673-0-0	TOP DOCUMENT NUMBER:		K	PL	5413673-0-DBP	D
			(E)								
			(F)								
			(G)								
			(H)								
			(I)								
			(J)								
			(K)								
			(L)								
			(M)								
			(N)								
*THIS DRAWING AND SPECIFICATIONS HEREIN, ARE THE PROPERTY OF DIGITAL EQUIPMENT CORPORATION AND SHALL NOT BE REPRODUCED OR COPIED OR USED IN WHOLE OR IN PART AS THE BASIS FOR THE MANUFACTURE OR SALE OF ITEMS WITHOUT WRITTEN PERMISSION. COPYRIGHT (C) 1980. DIGITAL EQUIPMENT CORPORATION *											

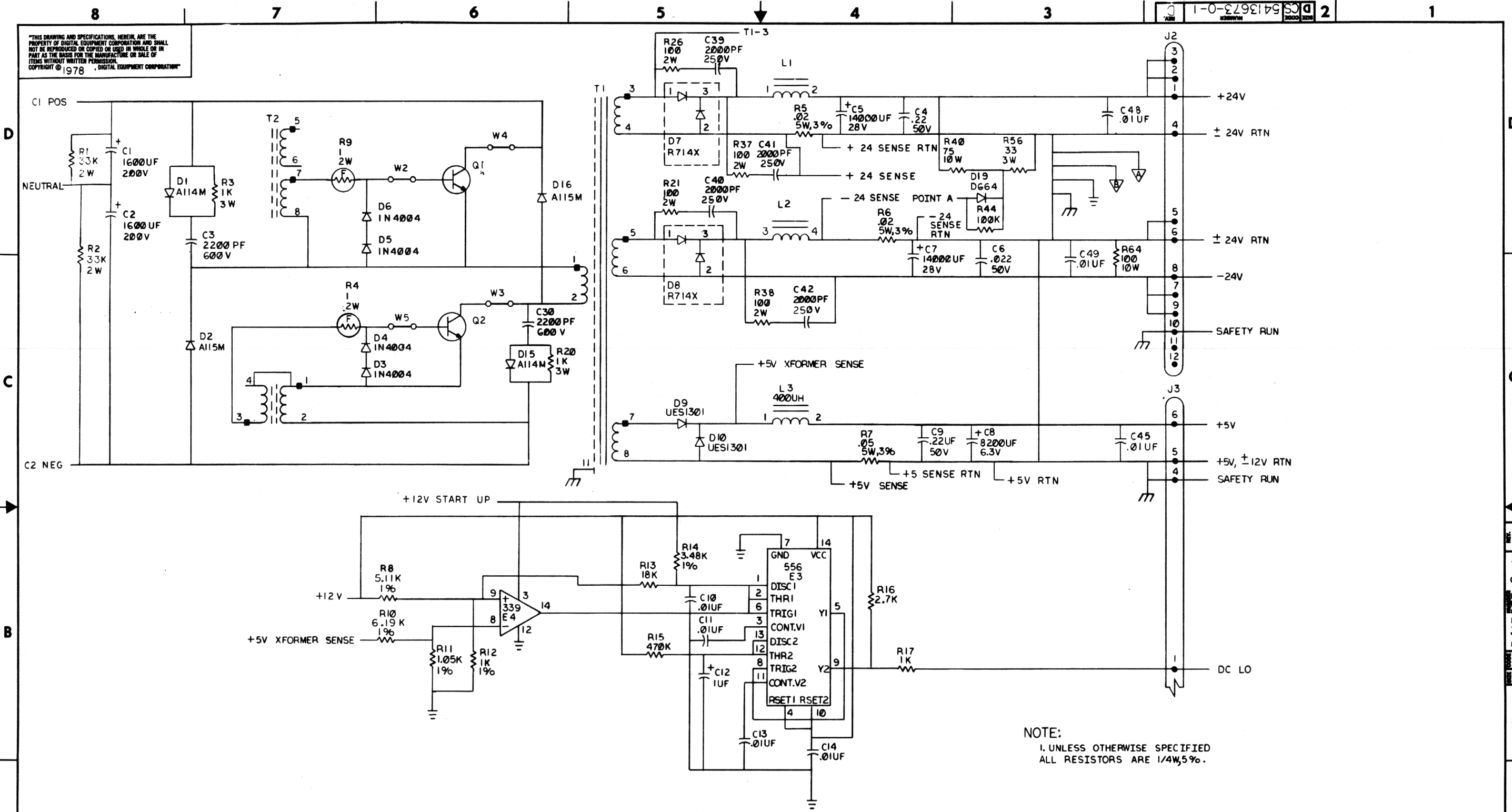
LINE	ITEM	DOCUMENT NUMBER	PART NUMBER	DESCRIPTION	QTY	PER VARIATION	REFERENCE DESIGNATOR
					00		
31	32		1512782-00	NPN 100W S1325 15	2		Q1,Q2
32	33		1212297-06	MATE-N-LOK 12PIN UNIV HEADER	1		J2
33	34		1212297-02	MATE-N-LOK 9PIN UNIV HEADER	1		J1
34	35		1212297-05	MATE-N-LOK 6PIN UNIV HEADER	1		J3
35	37		1213426-04	HEAT SINK TO-3 1" HIGH	6		
36	38		1215228-00	*** THIS ITEM IS NOT USED ***	-		
37	40		1300512-00	33.0 K 2.0 W10.0 % CC	2		R1,R2
38	41		1314350-00	1.0 2.0 W10.0 % WW	2		R4,R9
39	42		1310876-00	.02 5.0 W 3.0 % WW	2		R5,R6
40	43		1310876-03	.05 5.0 W 3.0 % WW	1		R7
41	46		1312479-00	1.05 K 1/4W 1% RN55D-F 100PPM	1		R11
42	47		1303114-00	1.0 K 1/4W 1% RN55D-F 100PPM	7		R12,R47,R48,R53,R58,R59,R54
43	48		1302465-00	18.0 K .25 W 5.0 % CC	1		R13
44	49		1305114-00	3.48 K 1/4W 1% RN55D-F 100PPM	1		R14
45	50		1302398-00	470.0 K .25 W 5.0 % CC	1		R15
46	51		1300426-00	2.70 K .25 W 5.0 % CC	1		R16
47	52		1314270-02	2.50 15.0 % NIC THERM	2		R18,R19
48	53		1314520-00	9.10 10.0 W 5.0 % WW	2		R22,R24
49	54		1300400-00	1.80 K .50 W10.0 % CC	2		R23,R25
50	55		1314239-00	33 3W 5% WW	1		R56
51	56		1300219-00	68.0 .25 W 5.0 % CC	1		R43
52	57		1309595-00	1.0 M .25 W 5.0 % CC	1		R46
53	58		1314253-00	240.0 K .25 W 5.0 % CC	3		R50,R57,R62
54	59		1305336-00	200 K 1/4W 1% RN55D-F 100PPM	1		R60
55	64		1300316-00	470.0 .25 W 5.0 % CC	1		R35
56	65		1304854-00	5.11 K 1/4W 1% RN55D-F 100PPM	5		R28,R29,R30,R31,R8
57	66		1314187-00	6.19 K 1/4W 1% RN55D-F 100PPM	2		R32,R10
58	67		1301317-00	10.0 .25 W 5.0 % CC	2		R36,R42
59	68		1302091-00	330.0 K .25 W 5.0 % CC	1		R33
60	69		1302177-00	47.0 K .25 W 5.0 % CC	2		R34,R51
61	70		1300285-00	270.0 .50 W 5.0 % CC	1		R27
62	72		1305380-00	270.0 2.0 W 5.0 % CC	1		R45
63	73		1300249-00	150.0 .50 W 5.0 % CC	1		R41
64	74		9009185-00	JUMPER, WIRE, INSULATED, BLACK B	1		W1
65	75		1310597-00	100 10W 5% WW	1		R64
66	76		1300365-00	1.0 K .25 W 5.0 % CC	2		R17,R61
67	77		1303156-00	34.8 K 1/4W 1% RN55D-F 100PPM	1		R49
68	78		1616234-00	CHOKE,DUAL .3UH=1.35UH,0A=7A	1		L1,L2
69	79		1614542-00	CHOKE,400UH 4.2A	1		L3
70	80		1614539-01	XFMR P=AB S= 140	1		T1
71	81		1614272-00	PULSE XFMR,4 WOUND	1		T2
72	82		1616237-00	XFMR P=AB S= 15@150MA 50HZ	1		T3
73	83		1914250-00	3524 MODULATOR-REGULATING	1		E2
74	84		1912108-00	339 VOLT CMPTRK,QUAD	1		E4
75	85		1914392-00	556 TIMER-DUAL	1		E3
76	86		1912048-00	DEC 7812 VOLT REG,FIX +12V	1		Z1
77	87		1914517-00	DEC 7912 VOLT REG,FIX -12V	1		Z2
78	88		1912048-06	DEC 7812 VOLT REG,FIX +12V	1		Z3

D I G I T A L		TITLE	SECTION A OF A		SIZE	CODE	DOCUMENT NUMBER	REV
		LA120 POWER SUPPLY			K	PL	5413673-0-DBP	D

LINE ITEM	DOCUMENT NUMBER	PART NUMBER	DESCRIPTION	QTY PER VARIATION 00	REFERENCE DESIGNATOR
79	89	9009798-00	SPACER, CERAMIC, .186 UDX,078 ID	14	
80	90	9009950-01	WASHER, FLAT, .438 O.D. X .203 I	9	
81	91	9000038-07	SCREW,PAN,PHIL, 10-32X 3/8 B	8	
82	92	9007801-00	WASHER, LOCK, S.S. #6	12	
83	93	9006010-01	*** THIS ITEM IS NOT USED ***	-	
84	94	9006557-00	*** THIS ITEM IS NOT USED ***	-	
85	95	1214789-00	INSERT,THREADED 6-32 ,BRASS,ELEC	12	
86	98	9007793-01	SCREW,PAN ,PHIL, 6-32X 9/16	12	
87	102	9007906-00	WASHER, LOCK S.S. #10	8	
88	103	1011740-05	1000.0 MMF 50V 10% CW15CCER	6	C33-C38
89	106	1112594-02	A115M PIV=600 I= 3A	2	D2,D16
90	107	1302380-00	100.0 2.0 W 5.0 % CC	4	R21,R26,R37,R38
91	108	1310606-00	75 10W 5% WW	1	R40
92	109	1312984-00	187 K 1/4W 1% RN55D=1873F	1	R55
93	110	1305323-00	511 K 1/4W 1% RN55D=F 100PPM	1	R63
94	111	1303043-00	464 K 1/4W 1% RN55D=F 100PPM	1	R52
95	113	1314675-00	1 K 3W 5% WW	2	R3,R20
96	120	1302466-00	100.0 K .25 W 5.0 % CC	1	R44
97	121	9006565-00	NUT,KEP , 10-32X 3/8 AF	1	
98	122	9009676-00	TERM LUG 1POS SOLDER	6	
99	123	9107780-00	WIRE,BUSS,22AWG,2"LENTHS	4	W2-W5
100	124	1309094-00	100 5W 5% WW	1	R39

D	I	G	I	T	A	L	TITLE	SECTION A OF A	SIZE	CODE	DOCUMENT NUMBER	REV
							LA120 POWER SUPPLY		K	PL	5413673-0-DBP	D

THIS DRAWING AND SPECIFICATIONS HEREIN ARE THE PROPERTY OF DIGITAL EQUIPMENT CORPORATION AND SHALL NOT BE REPRODUCED OR COPIED OR USED IN WHOLE OR IN PART AS THE BASIS FOR THE MANUFACTURE OR SALE OF ITEMS WITHOUT WRITTEN PERMISSION. COPYRIGHT © 1978, DIGITAL EQUIPMENT CORPORATION



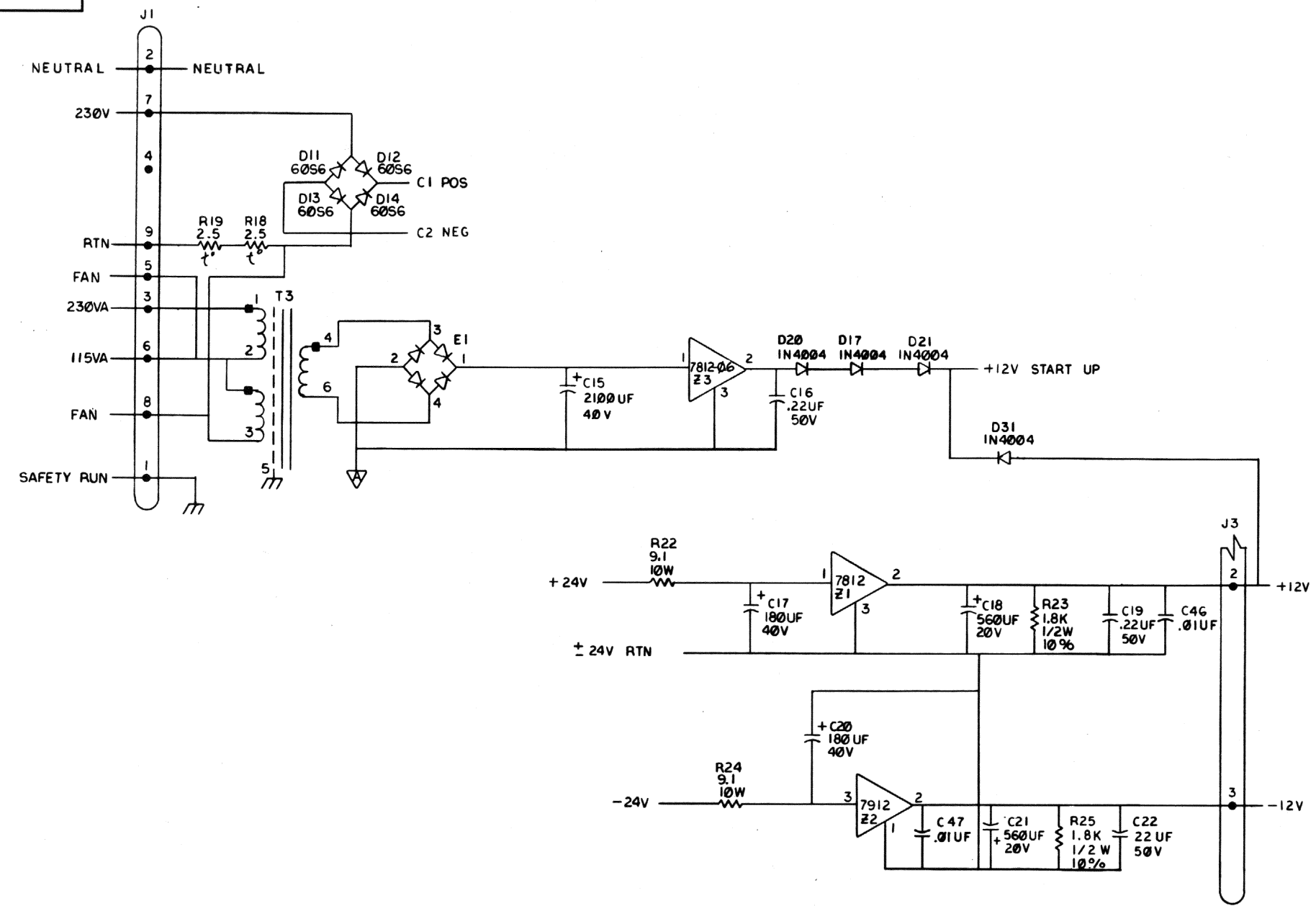
NOTE:
1. UNLESS OTHERWISE SPECIFIED
ALL RESISTORS ARE 1/4W, 5%.

REV.	REV.	REV.
0	1	2
1	2	3
2	3	4
3	4	5
4	5	6
5	6	7
6	7	8

DRN: GRAMM 8/17/78	FIRST USED ON: H7150	digital
CHK'D: [Signature]	TITLE: LA120 POWER SUPPLY	
ENG: [Signature]	PROJ. ENG: [Signature]	
PROD. [Signature]	3-30-78	
NEXT HIGHER ASSY.		
B-DD-5413673-0	SIZE CODE: D	NUMBER: CS 5413673-0-1
SCALE: [Signature]	DIST.	REV. [Signature]
SHEET: 1 OF 3		

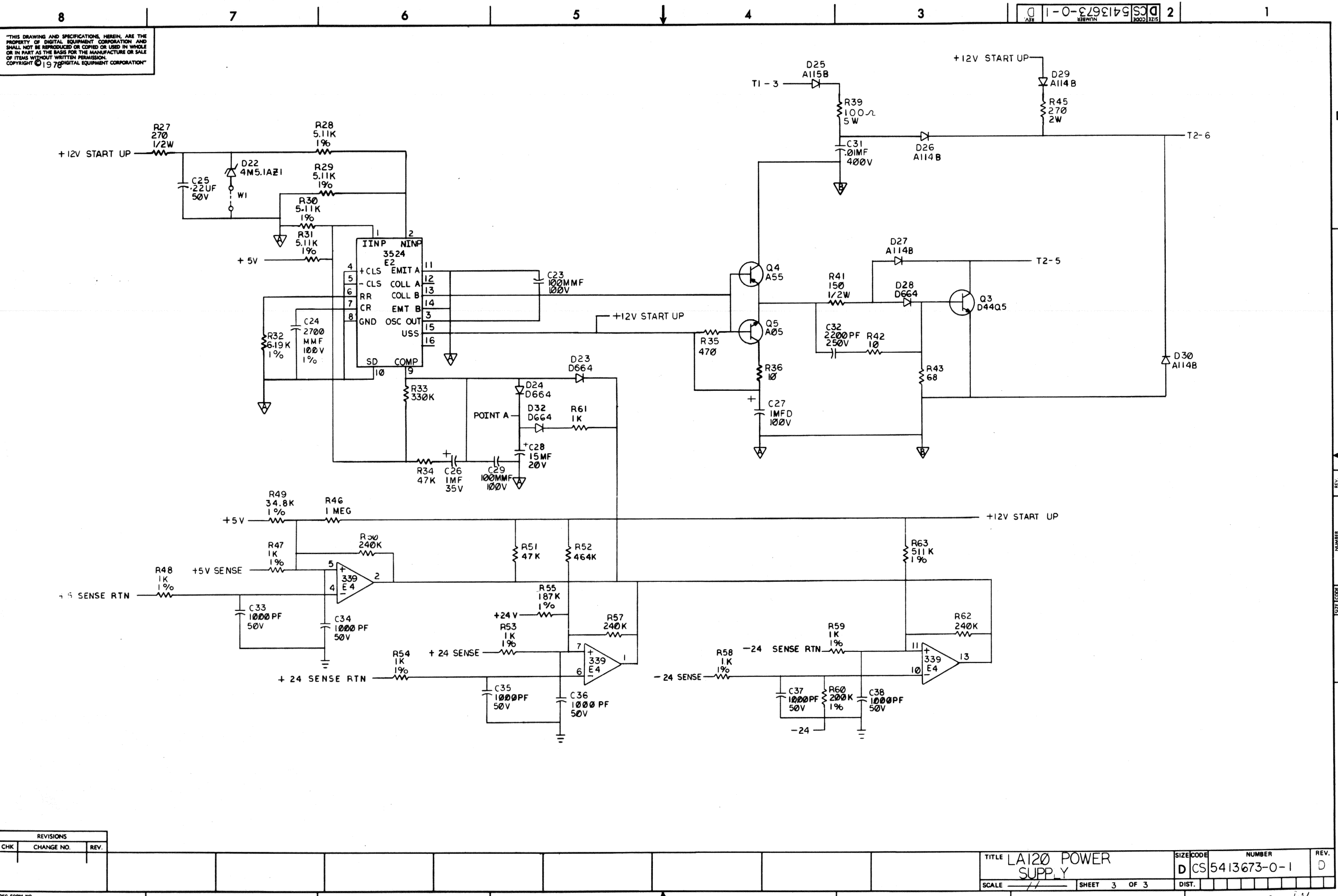
CS 5413673-0-1 D

"THIS DRAWING AND SPECIFICATIONS HEREIN ARE THE PROPERTY OF DIGITAL EQUIPMENT CORPORATION AND SHALL NOT BE REPRODUCED OR COPIED OR USED IN WHOLE OR IN PART AS THE BASIS FOR THE MANUFACTURE OR SALE OF ITEMS WITHOUT WRITTEN PERMISSION.
COPYRIGHT © 1978 DIGITAL EQUIPMENT CORPORATION"



REVISIONS		
CHK	CHANGE NO.	REV.

"THIS DRAWING AND SPECIFICATIONS, HEREIN, ARE THE PROPERTY OF DIGITAL EQUIPMENT CORPORATION AND SHALL NOT BE REPRODUCED OR COPIED OR USED IN WHOLE OR IN PART AS THE BASIS FOR THE MANUFACTURE OR SALE OF ITEMS WITHOUT WRITTEN PERMISSION. COPYRIGHT © 1970 DIGITAL EQUIPMENT CORPORATION"



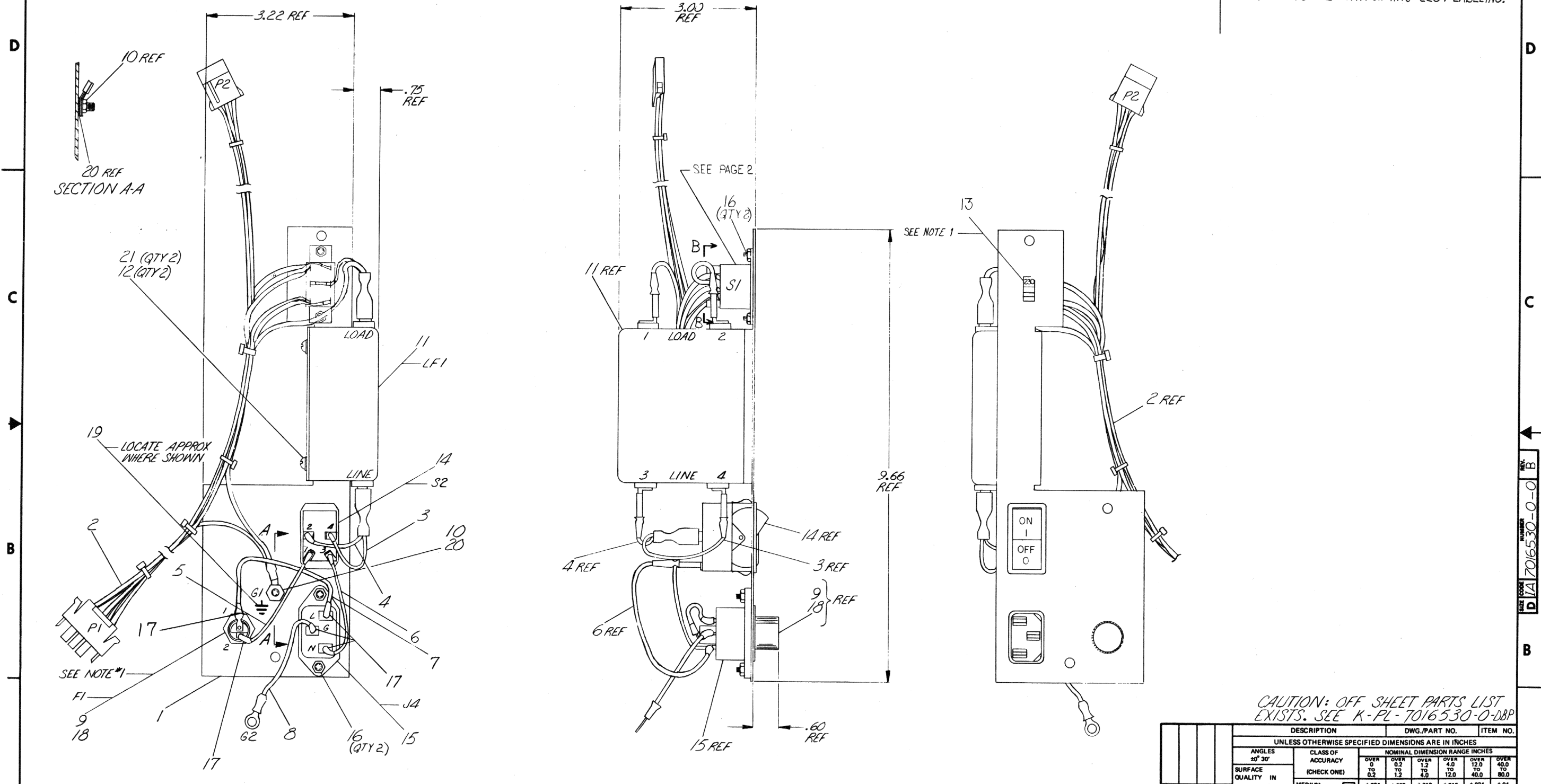
REVISIONS		
CHK	CHANGE NO.	REV.

TITLE	LA120 POWER SUPPLY	SIZE CODE	D	NUMBER	CS 5413673-0-1	REV.	D
SCALE		SHEET	3	OF	3	DIST.	

THIS DRAWING AND SPECIFICATIONS, HEREIN, ARE THE PROPERTY OF DIGITAL EQUIPMENT CORPORATION AND SHALL NOT BE REPRODUCED OR COPIED OR USED IN WHOLE OR IN PART AS THE BASIS FOR THE MANUFACTURE OR SALE OF ITEMS WITHOUT WRITTEN PERMISSION.
 COPYRIGHT © 1978, DIGITAL EQUIPMENT CORPORATION

0-0-0E5910Z
 2

NOTES:
 1. OPTIONAL SWITCH HAS 220V LABELING.



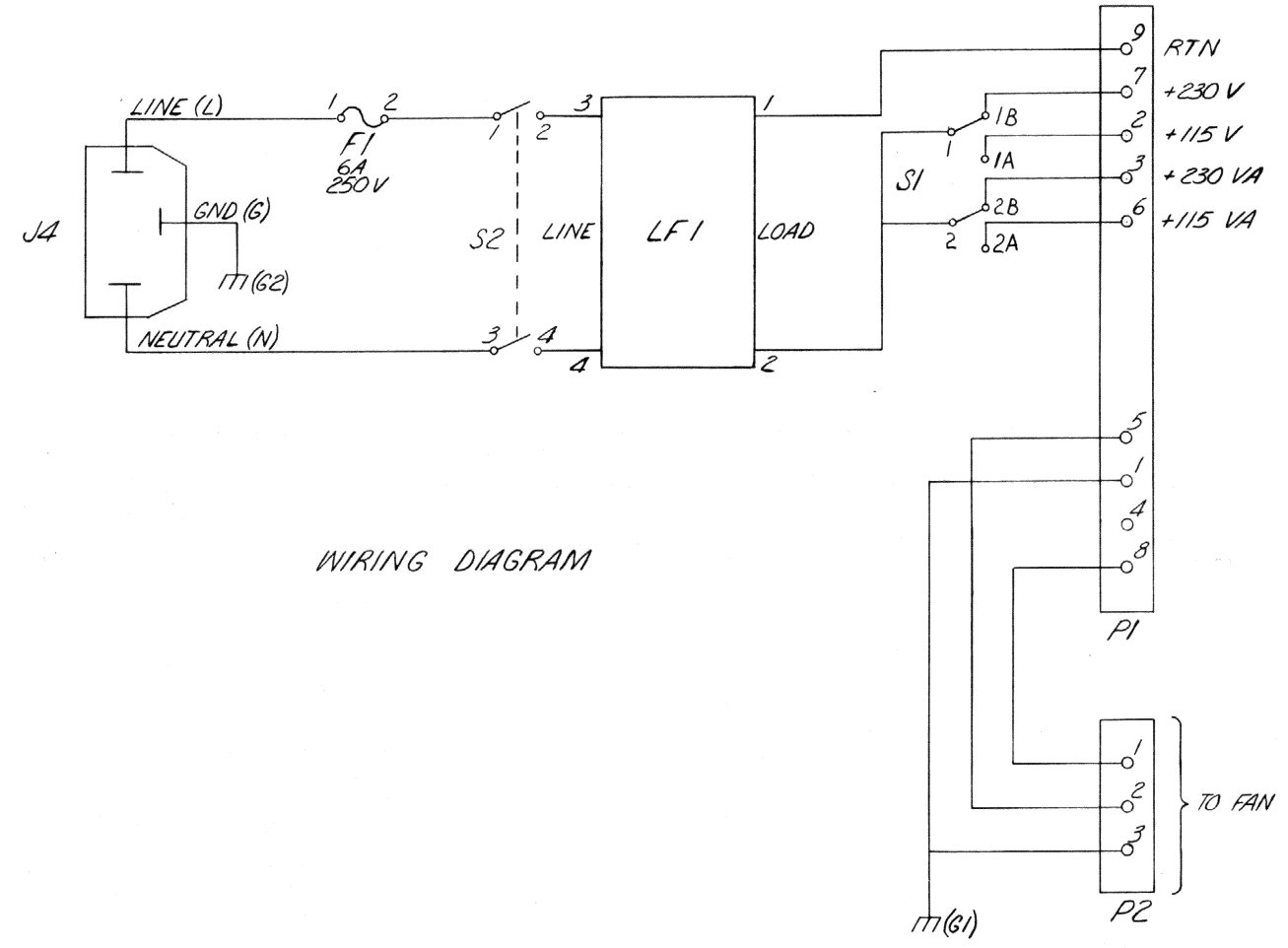
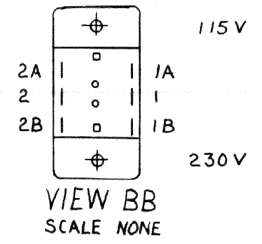
REV.	CHG.	NO.	DATE	BY	APP.
1	1016530-PN001	A	9-16-80	B.O. CONNELL	
2	1016530-PN002	B	12-04-80	J. BITTO	

CAUTION: OFF SHEET PARTS LIST EXISTS. SEE K-PL-7016530-0-DBP

QUANTITY & VARIATION		DESCRIPTION	DWG./PART NO.	ITEM NO.
UNLESS OTHERWISE SPECIFIED DIMENSIONS ARE IN INCHES				
ANGLES ±0° 30'	CLASS OF ACCURACY (CHECK ONE)	NOMINAL DIMENSION RANGE INCHES		
SURFACE QUALITY IN	MEDIUM <input type="checkbox"/> PREFERRED <input checked="" type="checkbox"/>	OVER 0 TO 0.2	OVER 0.2 TO 1.2	OVER 1.2 TO 4.0
		OVER 4.0 TO 12.0	OVER 12.0 TO 40.0	OVER 40.0 TO 80.0
		±.004	±.008	±.012
		±.016	±.024	±.04
		±.012	±.018	±.025
		±.04	±.063	±0.1
THIRD ANGLE PROJECTION	DRN. <i>[Signature]</i>	FIRST USED ON		
REMOVE BURRS AND BREAK SHARP CORNERS	CHK'D. <i>[Signature]</i>	LA120 digital		
DO NOT SCALE DWG	ENG. <i>[Signature]</i>	TITLE		
MATERIAL SEE 6530B.PLS	PROJ. ENG. <i>[Signature]</i>	POWER ENTRY ASSY (SWITCHER)		
FINISH	PROD. <i>[Signature]</i>	NUMBER		
		7016530-0-0		
		REV. B		
		SHEET 1 OF 2		
		DIST. PN 1		

"THIS DRAWING AND SPECIFICATIONS, HEREIN, ARE THE PROPERTY OF DIGITAL EQUIPMENT CORPORATION AND SHALL NOT BE REPRODUCED OR COPIED OR USED IN WHOLE OR IN PART AS THE BASIS FOR THE MANUFACTURE OR SALE OF ITEMS WITHOUT WRITTEN PERMISSION. COPYRIGHT © 1975 DIGITAL EQUIPMENT CORPORATION"

WIRE TABLE									
ITEM NO.	DESCRIPTION		FROM			TO			REMARKS
	AWG	COLOR	POINT	CONN	WITH	POINT	CONN	WITH	
3	18	BLU	—	LF1-4	—	—	S2-4	—	
4	18	BRN	—	LF1-3	—	—	S2-2	—	
5	18	BLK	—	S2-1	—	—	F1-2	SOL#*17	
6	18	BLU	—	S2-3	—	—	J4-N	SOL#*17	
7	18	BRN	—	J4-L	SOL#*17	—	F1-1	SOL#*17	
8	14	GRN/YEL	—	J4-6	SOL#*17	—	—	—	
2	14	GRN/YEL	1	—	—	—	G1	ITEM *10	
	14	GRN/YEL	2	—	—	—	G1	*10	
	18	BLU	—	S1-1	—	—	LF1-2	—	
	18	BRN	—	PI-9	—	—	LF1-1	—	
	18	BLK	—	PI-7	—	11	S1-1B	—	
	18	BLK	—	PI-3	—	12	S1-2B	—	
	18	BRN	—	PI-2	—	13	S1-1A	—	
	18	BRN	—	PI-6	—	14	S1-2A	—	
18	BLU	—	SI-2	—	15	SI-1	—		



REVISIONS		
CHK	CHANGE NO.	REV.

LINE	ITEM	DOCUMENT NUMBER	PART NUMBER	DESCRIPTION	QTY PER VARIATION	REFERENCE DESIGNATOR
1	1	D-MD-5014000-0-0	5014000-00	DRILL & ETCH BD	1	
2	2		1001610-00	.01 MFD 50V -20+00 Z5U AXIAL	3	C1-C3
3	3		1300365-00	1 K 1/4W 5% CC	1	R1
4	4		1300479-00	10 K 1/4W 5% CC	2	R2,R3
5	5		1300309-00	390 1/4W 5% CC	2	R4,R5
6	6		1912648-00	LS251 MUX 8 INPUT,TRI-STA	1	E1
7	7		1209837-00	SOCKET 16PIN IC ADAPTER PLUG	1	X1
8	8		9009217-00	POST, WIPE WRAP	4	

REVISION HISTORY			BASIC PART NO: 5414001			DIGITAL			
ENG	ECD NUMBER	REV	SECTION A OF A	DRN	DATE	TITLE			
	INITIAL	A	SECTION VARIATION INDEX	CHK'D:	18-DEC-78	PARTS LIST			
			(A) 00	R,W.CAUNTER	18-DEC-78	5414001			
			(B)			LA120 KEYBOARD TERM.			
			(C)	DFS,ENG: D,LEBLANC	18-DEC-78	DOCUMENT NUMBER			
			(D)						
			(E)	RESP,ENG: D,LEBLANC	18-DEC-78	SIZE CODE NUMBER REV			
			(F)						
			(G)	MFG,ENG: ED BLAIR	28-FEB-79	K	PL	5414001-0-DBP	A
			(H)						
			(I)	ASSEMBLY NUMBER:		FILE NAME:			
			(J)	D-UA-5414001-0-0		14001.PRT			
			(K)			EDIT #			
			(L)			3			
			(M)						
			(N)						

"THIS DRAWING AND SPECIFICATIONS HEREIN, ARE THE PROPERTY OF DIGITAL EQUIPMENT CORPORATION AND SHALL NOT BE REPRODUCED OR COPIED OR USED IN WHOLE OR IN PART AS THE BASIS FOR THE MANUFACTURE OR SALE OF ITEMS WITHOUT WRITTEN PERMISSION. COPYRIGHT (C) 1979, DIGITAL EQUIPMENT CORPORATION"

8

7

6

5

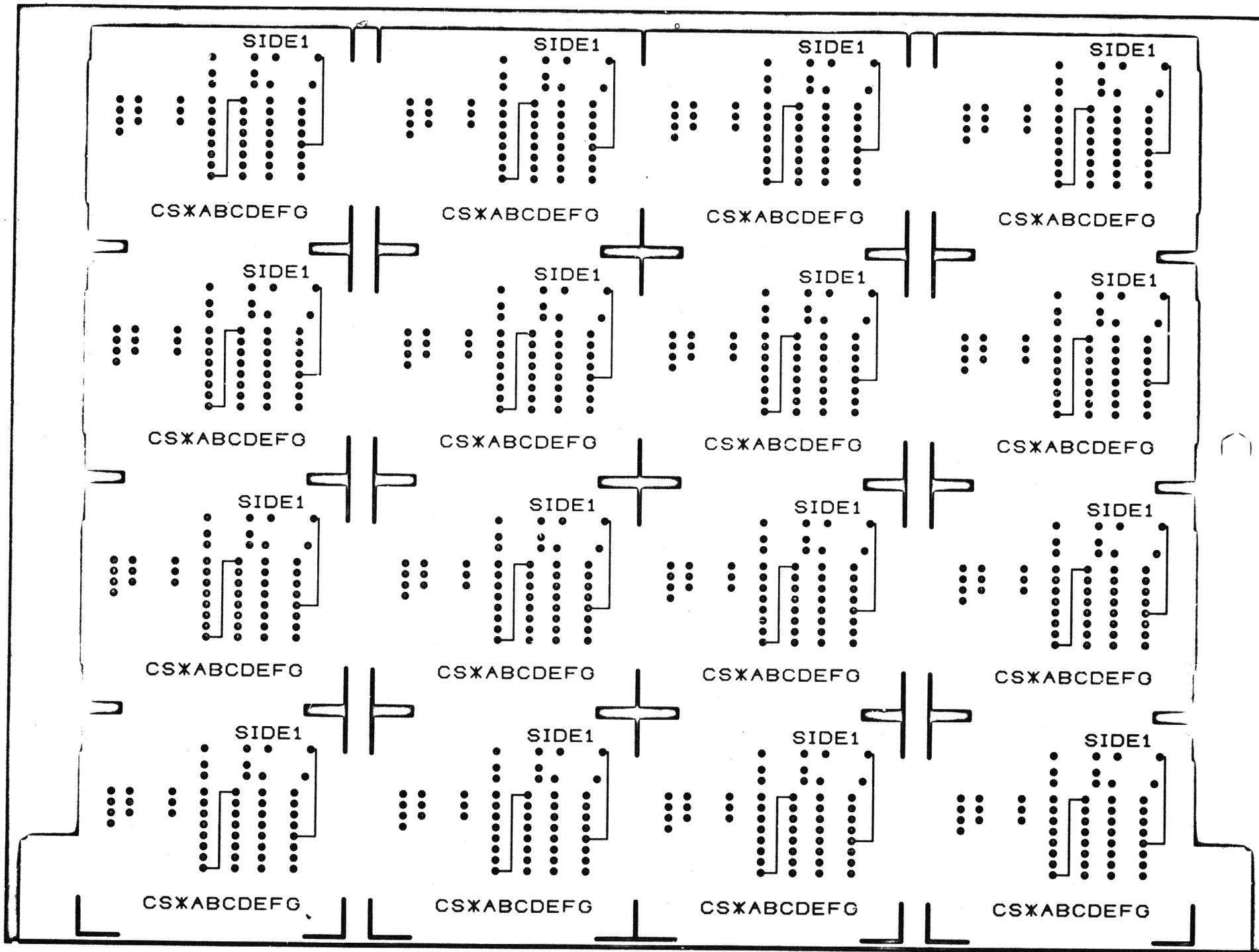
4

3

DUA 5414001-0-0 A 2

1

THIS DRAWING AND SPECIFICATIONS HEREIN ARE THE PROPERTY OF DIGITAL EQUIPMENT CORPORATION, AND SHALL NOT BE REPRODUCED OR COPIED OR USED IN WHOLE OR IN PART AS THE BASIS FOR THE MANUFACTURE OR SALE OF ITEMS WITHOUT WRITTEN PERMISSION. COPYRIGHT © 1978 DIGITAL EQUIPMENT CORPORATION



D

C

A

B

A

DUA 5414001-0-0 A

REVISIONS		
CHK	CHANGE NO	REV

TITLE	SIZE CODE	NUMBER	REV.
LAI20 KEYBOARD TERM.	DUA	5414001-0-0	A
SCALE	SHEET	OF	DELT
2/1	2	3	

8

7

6

5

4

3

2

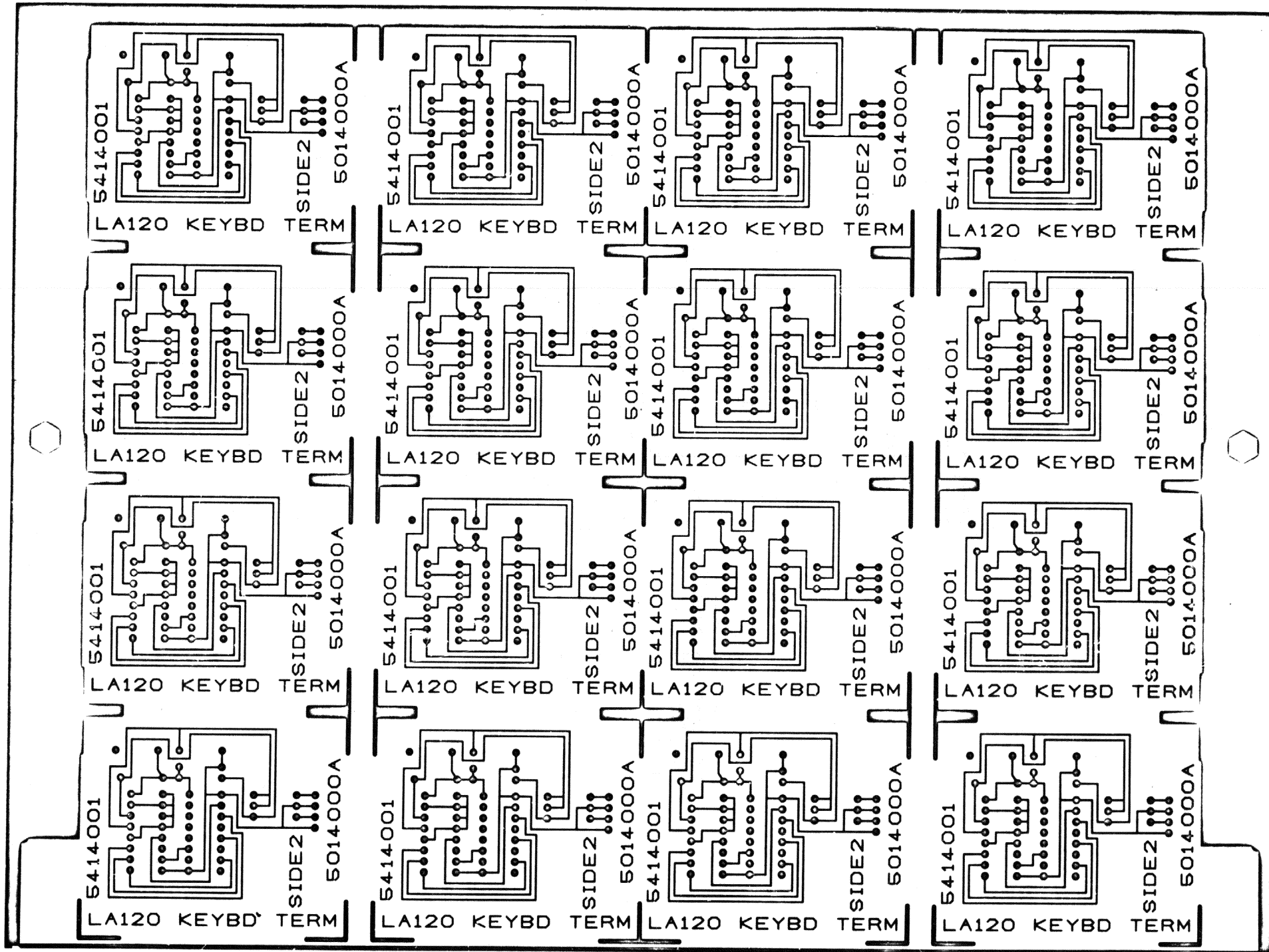
1

MR

THIS DRAWING AND SPECIFICATIONS HEREIN ARE THE PROPERTY OF DIGITAL EQUIPMENT CORPORATION AND SHALL NOT BE REPRODUCED OR USED IN WHOLE OR IN PART AS THE BASIS FOR THE MANUFACTURE OR SALE OF ITEMS WITHOUT THE WRITTEN PERMISSION OF DIGITAL EQUIPMENT CORPORATION.

8 7 6 5 4 3 2 1

DUA 5414001-0-0 A



D
C
B
A

D
C
B
A

DUA 5414001-0-0 A

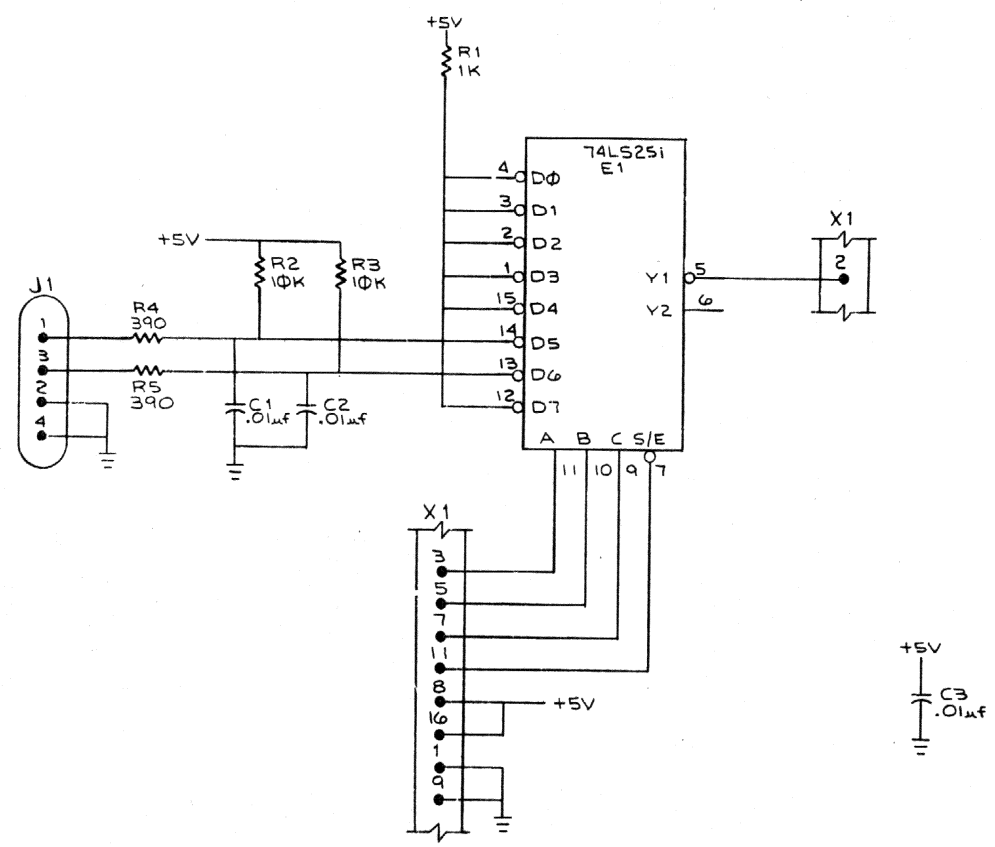
REVISIONS		
CHK	CHANGE NO.	DATE

8	7	6	5	4	3	2	1			
TITLE LA120 KEYBOARD TERM							SCALE 2/1	SHEET 3 OF 3	NUMBER DUA 5414001-0-0	REV. A
MR										

8 7 6 5 4 3 2 1

"THIS DRAWING AND SPECIFICATIONS, HEREIN, ARE THE PROPERTY OF DIGITAL EQUIPMENT CORPORATION AND SHALL NOT BE REPRODUCED OR COPIED OR USED IN WHOLE OR IN PART AS THE BASIS FOR THE MANUFACTURE OR SALE OF ITEMS WITHOUT WRITTEN PERMISSION.
 © 1978 DIGITAL EQUIPMENT CORPORATION"

REV. 1-0-1000159 CS 2
 5414001-0-1



REV.	
CHANGE NO.	
CHEK	

DRN: <i>W. Cantor</i> 10/28/78	FIRST USED ON	LAI20	digital
CHK: <i>D. Lane</i> 1 Dec 78	TITLE	LAI20 KEYBOARD TERM	
ENG: <i>D. Blane</i> 1 Dec 78			
PRG. ENG: <i>D. Lane</i> 1 Dec 78			
PROD: <i>D. Lane</i> 23 Nov 77			
NEXT HIGHER ASSY.			
B-DD-5414001-0	SIZE CODE	NUMBER	REV.
SCALE	D	CS 5414001-0-1	A
SHEET	1	OF	1
DIST.			

REV. 1-0-1000159 CS 2
 5414001-0-1



