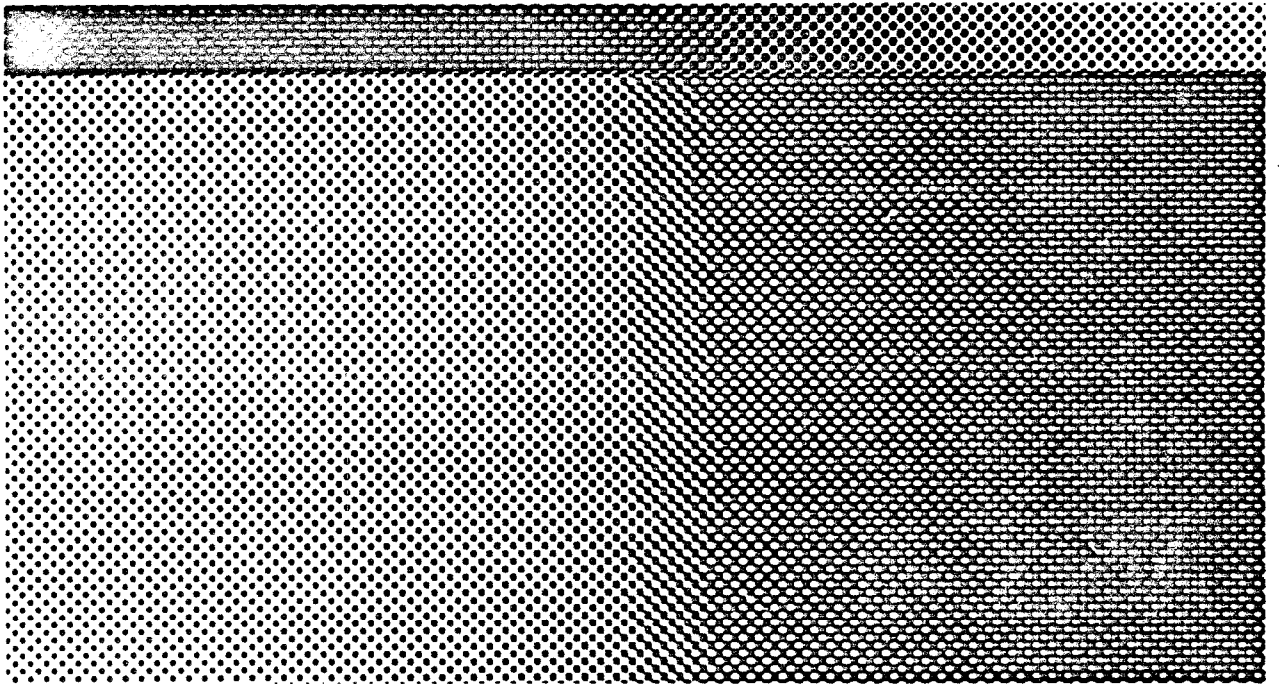




305-481
Issue 1

AT&T 3B2 Computer Migration Technician Manual



.6 1/4 x 8 1/2" BLK + WNT

NOTICE

The information in this document is subject to change without notice. AT&T assumes no responsibility for any errors that may appear in this document.

Copyright 1985 AT&T
All Rights Reserved
Printed in U.S.A.

TRADEMARKS

The following trademark is used in this manual:

- UNIX — Trademark of AT&T

ORDERING INFORMATION

Additional copies of this document can be ordered by calling

1-800-432-6600 Inside the U.S.A.

1-800-255-1242 Inside Canada

OR

1-317-352-8557 Outside the U.S.A.

OR by writing to:

AT&T Customer Information Center (CIC)
Attn: Customer Service Representative
P.O. Box 19901
Indianapolis, IN 46219

CONTENTS

- Chapter 1. INTRODUCTION**
- Chapter 2. PREPARATION**
- Chapter 3. LOAD NEW SOFTWARE RELEASE**
- Chapter 4. REPLACE SYSTEM BOARD**
- Chapter 5. VERIFY SYSTEM OPERATION**

Chapter 1
INTRODUCTION

	PAGE
SYSTEM BOARD RETURN POLICY	1-2
CONVENTIONS	1-2
MANUAL ORGANIZATION	1-3

Chapter 1

INTRODUCTION

This document describes how to "migrate" an AT&T 3B2/300 Computer to an AT&T 3B2/310 Computer. The migration involves hardware and probably software changes. In order to migrate a 3B2/300 Computer to a 3B2/310 Computer, these requirements must be met:

1. The operating system must be UNIX* System V Release 2.0 or a later release.
2. The computer must be equipped with at least 1 megabyte of Random Access Memory (RAM)
3. A 30-megabyte hard disk must be installed in the computer.

If the computer is not at Release 2.0, have the customer contact his/her Account Representative and arrange for an upgrade.

* Trademark of AT&T

INTRODUCTION

SYSTEM BOARD RETURN POLICY

The migration of a 3B2/300 Computer to a 3B2/310 Computer includes a return policy on the 3B2/300 Computer system board. It is your responsibility (technician's) to return the system board to your Material Stock Location (MSL).

CONVENTIONS

Screen displays are included in this document to help you understand described procedures. The following conventions are used on these screen displays to show terminal inputs and system responses.

This style of type is used to show system generated responses displayed on your screen.

This style of bold type is used to show inputs entered from your keyboard that are displayed on your screen.

These bracket symbols, < >, identify inputs from the keyboard that are not displayed on your screen, such as: <CR> carriage return, <CTRL d> control d, <ESC g> escape g, passwords, and tabs.

This style of italic type is used for notes that provide you with additional information. This style of type is also used to show variable inputs such as times and dates.

The screen displays are only examples of the system responses that you should receive. System responses that you receive may differ for various reasons. For example, some system generated responses are affected by the utilities that are installed. Also, many system responses contain variables such as numbers of files, number of blocks, file sizes, times, and dates. It is not very likely that these variables will agree with the displays on your terminal screen.

MANUAL ORGANIZATION

The rest of this manual is organized as follows:

- Chapter 2, "PREPARATION," describes what has to be done to get ready for the migration.
- Chapter 3, "LOAD NEW SOFTWARE RELEASE," provides the procedural steps for installing the new software release.
- Chapter 4, "REPLACE SYSTEM BOARD," describes the tasks that need to be performed to replace a 3B2/300 Computer system board with a 3B2/310 Computer system board.
- Chapter 5, "VERIFY SYSTEM OPERATION," describes the tasks that need to be performed to verify that the system is operating normally after the migration.

Chapter 2
PREPARATION

	PAGE
CHECK SYSTEM RELEASE	2-2
TOOLS	2-2
VERIFY CONTENTS OF MIGRATION KIT	2-3
VERIFY THAT CUSTOMER HAS A CURRENT BACKUP OF HARD DISK DATA	2-3
VERIFY INTEGRITY OF 3B2/300 HARDWARE	2-4
VERIFY CORE SYSTEM FLOPPY DISKS	2-8
HAVE OWNER REMOVE 3B2 COMPUTER FROM NETWORK.....	2-10

Chapter 2

PREPARATION

This chapter describes the tasks that you need to perform to get ready for the migration. Successful completion of these tasks should ensure a smooth migration.

PREPARATION

CHECK SYSTEM RELEASE

It is important to know the system release for a couple of reasons. First of all, in order to be able to do the migration, the UNIX Operating System must be at least UNIX System V Release 2.0. Second, if a release later than Release 2.0 is installed, then only the hardware portion of the migration procedure needs to be performed.

1. Log in as **root**.
2. Enter:

```
uname -r<CR>
```

Response:

UNIX System release that is installed on the computer is displayed.

TOOLS

The only tools you will need to do the migration are:

- 1/4-inch straight slot screwdriver
- Antistatic wrist strap
- Tool for removing Integrated Circuits (IC's)

VERIFY CONTENTS OF MIGRATION KIT

There are two migration kits (Package A and Package B) to support the migration of a 3B2/300 Computer to a 3B2/310 Computer. The migration kits are the same except for the system board. The system board in Package A does not have a MAU (Math Accelerator Unit) and the system board in Package B does.

A migration kit contains:

- Core System Floppy Disks containing new software release
- System Board
- Migration Manuals (305-481 and 305-482)
- Set of 3B2 Computer utilities
- New set of documents
- 3B2/310 Computer labels
- Indicator replacement wires
- File Permission Update Floppy (Migration Floppy).

A check list is included with each migration kit. Verify the contents of the kit using this check list.

VERIFY THAT CUSTOMER HAS A CURRENT BACKUP OF HARD DISK DATA

Although doing a backup is not necessary for the migration procedure itself, it is highly recommended that the hard disk data be backed up as a precautionary measure. Make sure the owner has backed up and verified all the data he considers to be critical before you start the migration.

PREPARATION

VERIFY INTEGRITY OF 3B2/300 HARDWARE

In order to verify the integrity of the 3B2/300 hardware, run all the system board diagnostic phases. The Floppy Interface/Control Test requires a formatted floppy disk to be inserted in order to run the test. Therefore, before you start the diagnostics, format a floppy disk so you will have one available when this test is run. (`sysadm diskmgmt/format`).

1. Enter:

```
shutdown -y -g0 -15<CR>
```

to go to the firmware mode.

Response:

A series of messages is displayed ending with

```
FIRMWARE MODE
```

2. Enter the firmware password:

```
mcp<CR>.
```

Note: If the customer has changed the firmware mode password, ask the customer to enter the firmware password.

Response:

Enter name of program to execute []:

3. Enter:

```
dgmon<CR>
```

A typical response is:

```

Possible load devices are:
Option Number  Slot  Name
-----
0              0    FDS
1              0    HD30
Enter Load Device Option Number [1 (HD30)]:
```

4. Select the default load device by depressing carriage return.

<CR>

Response:

The following prompt is displayed:

```

3B2 DIAGNOSTIC MONITOR
DGMON >
```

5. Enter:

dgn sbd ph=*<CR>

to execute all of the system board diagnostic phases.

Some of the diagnostic phases will require a response on your part. Answer all the questions that can be responded to with a "y" or "n" (yes or no) with a "y." The response to the Floppy Interface/Control Test prompt is an "r." It is not necessary to enter a <CR> after a response.

PREPARATION

Response:

The response for a successful completion is:

SBD 0 (IN SLOT 0) DIAGNOSTICS PASSED

DGMON >

If either of the following messages is displayed, a hardware problem exists which must be corrected before you can perform the migration:

SDB 0 (IN SLOT 0) DIAGNOSTICS FAILED

or

DIAGNOSTIC CONTROL PROGRAM ERROR

Note: Repair of hardware trouble is not included with the purchase of a migration kit. It is the customer's responsibility to have the computer repaired, unless the computer is covered by an AT&T maintenance contract.

6. If all the tests passed successfully, enter:

q<CR>

to exit the diagnostic monitor.

Response:

Enter name of program to execute []:

7. Enter:

unix<CR>

A typical response is:

```
Possible load devices are:
Option Number  Slot  Name
-----
          0      0    FD5
          1      0    HD30
Enter Load Device Option Number [1 (HD30)]:
```

8. Enter:

1<CR>.

Response:

After a slight delay, messages are displayed reporting the status of the boot process. The final message to appear is:

Console Login:

PREPARATION

VERIFY CORE SYSTEM FLOPPY DISKS

Use the following procedure to verify the integrity of the Core System Floppy Disks and to make a copy of *DISK 1*. The customer will provide you with a blank, formatted floppy to make this copy. Leave the Core System Floppy Disks, plus the copy of *DISK 1*, with the owner after you complete the migration.

1. At the console, log in as **root**.
2. Make sure that *DISK 1* of the 3B2 Core System Floppy Disks is write protected, and insert it in the floppy disk drive.

Caution: Do NOT turn power off or execute shutdown while the floppy disk is in the disk drive.

3. Enter the following command to copy the floppy disk to a temporary file named **tmpfile**:

```
dd bs=9b if=/dev/rdiskette of=/usr/tmp/tmpfile<CR>
```

Response:

Indicator on the floppy disk drive lights.

4. Allow approximately 3 minutes for the contents of the floppy to be transferred to **tmpfile**. If the transfer is successful, the following output messages are printed:

```
158+0 blocks in
158+0 blocks out
```

Any other message implies that the transfer failed. Do NOT continue if the transfer failed.

PREPARATION

5. Remove *DISK 1* of the 382 Core System Floppy Disks from the drive. Label a blank formatted floppy disk "*DISK 1 COPY*." Make sure the floppy disk is not write protected, and insert it in the floppy disk drive.
6. Enter the following command to copy *tmpfile* to the floppy disk:

```
dd bs=9b if=/usr/tmp/tmpfile of=/dev/rdiskette<CR>
```

Response:

Indicator on the floppy disk drive lights.

7. Wait approximately 3 minutes for *tmpfile* to be copied to the floppy disk. The following messages indicate that the copy was successful:

```
158+0 blocks in  
158+0 blocks out
```

Any other messages imply that the copy failed.

8. If you want to verify the copy of *DISK 1*, enter:

```
dd bs=9b if=/dev/rdiskette of=/dev/null<CR>
```

Response:

After approximately 3 minutes the following messages are displayed indicating that the copy is good:

```
158+0 blocks in  
158+0 blocks out
```

9. Remove the floppy disk from the disk drive.

PREPARATION

10. Using the command line

```
dd bs=9b if=/dev/rdiskette of=/dev/null<CR>
```

verify the other four 3B2 Core System Floppy Disks.

Note: Do NOT continue if you could not copy *DISK 1* or if any of the original 3B2 Core System Floppy Disks did not pass verification. Do NOT attempt the migration using a faulty floppy disk.

HAVE OWNER REMOVE 3B2 COMPUTER FROM NETWORK

If the computer is on a local area network, have the owner remove the computer from the network before you start the migration. If the 3B2 Computer is on a structured or administered network, that is, a network with 3B5, 3B15, and/or 3B20 Computers, the removal has to be done from the network master using the `nirmnode` command.

If the migration only requires the installation of a new system board, then skip the next chapter and go to Chapter 4.

Chapter 3

LOAD NEW SOFTWARE RELEASE

	PAGE
INSTALL MIGRATION UTILITIES	3-2
PERFORM RELEASE UPGRADE	3-4
REMOVE MIGRATION UTILITIES	3-11

Chapter 3

LOAD NEW SOFTWARE RELEASE

This chapter provides the procedure for loading a new software release.

Caution: Do NOT install a new "core system" if the UNIX System installed on the computer is a later release than UNIX System V Release 2.0. If a later release is installed, skip this chapter.

LOAD NEW SOFTWARE RELEASE

INSTALL MIGRATION UTILITIES

In order to correct some minor problems encountered when loading a new software release, a special utilities, 3B2 310 Migration Utilities, needs to be installed before you start the upgrade procedure. This utilities is on a floppy disk labeled " *File Permission Update Floppy*," but is commonly referred to as the "migration floppy."

Use the following procedure to install the migration utilities.

1. Enter:

```
sysadm installpkg<CR>
```

Typical response:

```
Running subcommand 'installpkg' from menu 'softwaremgmt',  
SOFTWARE MANAGEMENT
```

```
Select which device to use:
```

- ```
1 ctapel
2 diskettel
```

```
Enter a number, a name, the initial part of a name, or
? for HELP, q to QUIT:
```

2. Select device 2 (diskettel).
3. Insert the migration floppy disk in the disk drive and depress <RETURN> as instructed.

LOAD NEW SOFTWARE RELEASE

---

Response:

```
Installing the 3B2 310 Migration Utilities.
Copyright (c) 1985 AT&T.
All Rights Reserved.
```

```
The following files are being installed:
//usr/options/310migr.name
1 blocks
11 blocks
```

*Note: An error message:*

```
cp: cannot access /etc/disks
```

*may be displayed. You can ignore this message.*

```
Installation of 3B2 310 Migration Utilities is complete.
```

```
You may now remove the medium from the diskette drive.
```

4. Enter `q<CR>` to exit Simple Administration and remove the migration floppy disk.

## PERFORM RELEASE UPGRADE

**Caution: Do NOT attempt to do this procedure during periods when there is a higher than normal possibility of a sudden loss of power, for example, during an electrical storm. Loss of power during certain parts of the upgrade procedure may cause loss of user data.**

After you installed the migration utilities, you are ready to install the new software release. The new release is installed by transferring files from the Core System Floppy Disks to the hard disk. A program stored on the floppy disks controls the file transfer. Use extreme caution and carefully adhere to the programmed instructions to guarantee a smooth upgrade.

1. Change directories to the root directory.
2. Enter the following command to enter the firmware mode:

```
shutdown -y -i5<CR>
```

Response:

```
Shutdown started. date
Broadcast Message from root (console) date
THE SYSTEM IS BEING SHUT DOWN NOW !!!
Log off now or risk your files being damaged.
INIT: New run level: 5
The system is coming down. Please wait.
System services are now being stopped.
The system is down.
SELF-CHECK
FIRMWARE MODE
```

LOAD NEW SOFTWARE RELEASE

---

3. Enter `mcp` (default firmware password) or the current firmware password if it was changed.

Response:

Enter name of program to execute [ ]:

**Note:** If DEMON EPROMs are installed, the following message appears after entering `.mcp`:

```
3B2 Monitor/Control Program-erase '^H', kill '@'
Physical Mode
>
```

Enter `boot<CR>` and the response will be:

Enter name of program to execute [ ]:

4. Make sure that *DISK 1* of the five disk set is NOT write protected, then insert it into the floppy disk drive.
5. Enter:

`unix<CR>`

A typical response is:

| Possible load devices are: |      |      |
|----------------------------|------|------|
| Option Number              | Slot | Name |
| 0                          | 0    | FDS  |
| 1                          | 0    | HD30 |

Enter Load Device Option Number [1 (HD30)]:

## LOAD NEW SOFTWARE RELEASE

---

6. Enter:

␣<CR>

After approximately 30 seconds, a response similar to the following is displayed:

```
UNIX System V Release 2.0 3B2 Version 2
system name
Copyright (c) 1984 AT&T.
All Rights Reserved

Note: There is a delay between messages.

3B2 Version 2 Installation

 1) Full Restore
 2) Partial Restore
 3) Dual-Disk Upgrade
 4) Release Upgrade

When responding to a question, you may use the "backspace" key
to erase the last character typed or the "␣" key to erase the
entire line. Enter "help" for additional information.

Selection? [1 2 3 4 quit help]
```

7. The selection to make for a migration is "Release Upgrade." After you make the selection, the installation program will guide you through the rest of the procedure. The program is interactive and will prompt you to respond to various questions. You may enter *help* when appropriate to get additional information.

**Caution:** Once the automated upgrade procedure from *DISK 1* begins, **DO NOT** interrupt the process. Interruption may cause loss of user files.



LOAD NEW SOFTWARE RELEASE

---

Enter:

4<CR>

to start the upgrade procedure.

Response:

```
-- Release Upgrade --
```

```
The "Release Upgrade" option replaces most of the core system files on the integral hard disk(s) with 382 Version 2 files. The system configuration, installed packages and user files are not affected.
```

```
Continue? [y n help]
```

8. Enter:

y<CR>

Response:

```
Checking the hard disk file systems.
```

```
/dev/dsk/c1d0s0
File System: root Volume: 1.1
```

```
**Phase 1 - Check Blocks and Sizes
**Phase 2 - Check Pathnames
**Phase 3 - Check Connectivity
**Phase 4 - Check Reference Counts
**Phase 5 - Check Free List
785 files 12172 blocks 3240 free
```

```
Continued
```

## LOAD NEW SOFTWARE RELEASE

---

*Continued from previous screen*

```
/dev/dsk/c1d0s2
File System: usr Volume: 1.1

**Phase 1 - Check Blocks and Sizes
**Phase 2 - Check Pathnames
**Phase 3 - Check Connectivity
**Phase 4 - Check Reference Counts
**Phase 5 - Check Free List
4791 files 36646 blocks 3484 free
```

Saving system configuration files in /usr/old.

Installing the initial core system files. This should take no more than ten minutes.

1246 blocks (*displayed after installation completes*)  
1 block

*The system is restarting itself from the hard disk. This should take no more than five minutes. The installation procedure will then continue automatically.*

9. After the system restarts itself, a response similar to the following will be displayed.

```
UNIX System V Release 2.0.4 3B2 Version 2
system name
Copyright (c) 1984 AT&T.
All Rights Reserved
```

Checking the hard disk file systems.

```
/dev/dsk/c1d0s0
File System: root Volume: 2042up
```

*Continued*

LOAD NEW SOFTWARE RELEASE

*Continued from previous screen*

```
**Phase 1 - Check Blocks and Sizes
**Phase 2 - Check Pathnames
**Phase 3 - Check Connectivity
**Phase 4 - Check Reference Counts
**Phase 5 - Check Free List
687 files 11614 blocks 3264 free
```

```
/dev/dsk/cld0s2
File System: usr Volume: 2042up
```

```
**Phase 1 - Check Blocks and Sizes
**Phase 2 - Check Pathnames
**Phase 3 - Check Connectivity
**Phase 4 - Check Reference Counts
**Phase 5 - Check Free List
4816 files 36710 blocks 3420 free
```

Please insert the 3B2 Core System floppy number 2.

Type "go" when ready [ go quit help ]

10. Enter:

go<CR>.

Response:

Installing additional core system files. This should take no more than ten minutes.

1249 blocks (*displayed after installation completes*)

11. As each floppy is loaded, the response will be the number of blocks that were installed. After the number of blocks is displayed, you are prompted to insert the next floppy disk. Be sure to insert the floppy disks in the proper sequence, *DISK 2* through *DISK 5*. After the last floppy is installed, the following messages are displayed.

## LOAD NEW SOFTWARE RELEASE

---

You may now remove the last 3B2 Core System floppy.  
83 blocks  
89 blocks

See /usr/old/README regarding changes to system configuration files.

Installation is now complete. The system is restarting itself from the hard disk. It will be ready to use when you receive the "Console Login" prompt. This should take no more than five minutes.

### SELF-CHECK

DIAGNOSTICS PASSED

UNIX System V Release 2.0.4 3B2 Version 2

system name

Copyright (c) 1984 AT&T.

All Rights Reserved

*Note: If an XDC is installed the following messages will be displayed:*

WARNING: too few HDE equipped disk slots

Bad block handling skipped for maj/min = 17/16

*You can ignore these messages.*

The system is coming up. Please wait.

Generating a new /unix

AT&T 3B2 SYSTEM CONFIGURATION:

Memory size: 1 Megabyte

System Peripherals:

| Device Name | Subdevices                      |
|-------------|---------------------------------|
| SBD         | Floppy Disk<br>30 Megabyte Disk |
| PORTS       |                                 |
| PORTS       |                                 |

The system is ready.

Console Login:

The computer is now operating on the new software release with the 3B2/300 Computer system board.

## REMOVE MIGRATION UTILITIES

**Note:** It is important that you remove the migration utilities because removing this utilities does more than just remove the 310migr.name file.

1. Log in as root and enter:

```
sysadm removepkg<CR>
```

Typical response:

```
Running subcommand 'removepkg' from menu 'softwaremgmt'.
SOFTWARE MANAGEMENT
```

```
The following software packages have been installed:
```

```
Listing of
installed
utilities
```

```
Select which device to use:
```

```
1 ctapel
2 diskette1
```

```
Enter a number, a name, the initial part of a name, or
? for HELP, q to QUIT:
```

2. Select device 2 (diskette1).
3. Insert the migration floppy disk in the disk drive, and depress <RETURN> as instructed.

## LOAD NEW SOFTWARE RELEASE

---

Response:

```
Removing the 382 310 Migration Utilities.
11 blocks
The following files are being removed:
/usr/options/310migr.name
The 382 310 Migration Utilities have been removed.
Execute "shutdown -i6 -y -g0"
You may now remove the medium from the diskette drive.
```

4. Remove the migration floppy disk from the disk drive.

5. Enter:

```
q<CR>
```

to exit Simple Administration.

Response:

```
(Root prompt)
```

6. Enter:

```
shutdown -i6 -y -g0<CR>
```

Response:

A series of messages is displayed reporting the progress of the reboot. First the system is taken down, then an automatic reboot is done, diagnostics are run, the system comes back up, a new "unix" file is generated, and finally the system is ready and a Console Login prompt is displayed. This entire reboot process takes approximately 6 minutes to complete.

## Chapter 4

### REPLACE SYSTEM BOARD

|                                                    | PAGE |
|----------------------------------------------------|------|
| SAFETY REMINDERS .....                             | 4-1  |
| EXECUTE touch /etc/system AND REMOVE POWER.....    | 4-2  |
| PREPARE TO REMOVE SYSTEM BOARD .....               | 4-3  |
| Remove Cable Access Door and Computer Cover .....  | 4-3  |
| Remove RAM (Random Access Memory) Card(s).....     | 4-4  |
| Remove Feature Card Cables .....                   | 4-6  |
| Remove Feature Card Cage Assembly .....            | 4-10 |
| REMOVE SYSTEM BOARD .....                          | 4-12 |
| INSTALL 3B2/310 COMPUTER SYSTEM BOARD.....         | 4-14 |
| INSTALL 3B2/310 COMPUTER DEMON EPROMs .....        | 4-16 |
| REASSEMBLE COMPUTER .....                          | 4-16 |
| Install Feature Card Cage Assembly .....           | 4-16 |
| Connect Feature Card Cables .....                  | 4-18 |
| Install RAM Memory Card(s) .....                   | 4-20 |
| Replace Computer Cover and Cable Access Door ..... | 4-20 |
| PLACE NEW LABEL ON COMPUTER .....                  | 4-22 |
| RETURN SYSTEM BOARD .....                          | 4-22 |





## **Chapter 4**

---

### **REPLACE SYSTEM BOARD**

Be careful not to damage the carton that the new system board is packed in since this same carton will be used to return the 3B2/300 Computer system board. The only tools you will need to replace the system board are a 1/4-inch straight slot screwdriver and an antistatic wrist strap.

### **SAFETY REMINDERS**

1. Always unplug the 3B2 Computer before removing the cover.
2. Be sure to always wear an antistatic wrist strap and ground yourself to the computer chassis before you do anything inside the computer.
3. Be alert for sharp edges when handling hardware.
4. Follow instructions carefully to avoid personal injury or equipment damage.

## REPLACE SYSTEM BOARD

---

### EXECUTE touch /etc/system AND REMOVE POWER

1. If you are not logged in, log in as root.

2. Enter:

```
touch /etc/system<CR>
```

to force a full self-configuration when the system is powered up.

3. Enter:

```
shutdown -y -i0<CR>
```

to shut down the computer.

***Caution: Never pull the power plug or externally remove power until the shutdown sequence has completed. Data could be permanently lost if the computer is not shut down properly.***

4. Wait for the computer to complete its shutdown sequence. The broadcast message will end with "The system is down," and the POWER indicator will turn off.

5. Unplug the power cord.

## PREPARE TO REMOVE SYSTEM BOARD

### Remove Cable Access Door and Computer Cover

1. Remove the cable access door by pulling up on the latch, then lifting up and pulling out on the door. (See Figure 4-1.)

**Caution:** Never remove the 3B2 Computer cover unless the power is removed.

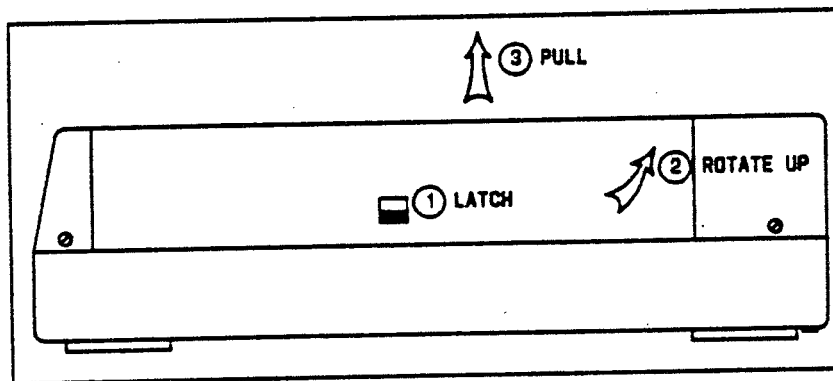


Figure 4-1. Removing Cable Access Door

2. Remove the four screws holding the computer cover.
3. Remove the cover.

## REPLACE SYSTEM BOARD

---

4. Compare Figure 4-2 to the inside of the 3B2/300 Computer, and familiarize yourself with the location and placement of the major components.

### **Remove RAM (Random Access Memory) Card(s)**

1. Loosen the screw on the bracket holding the memory card(s) in place. (See Figure 4-2.)
2. Slide the bracket up and remove it from the cage assembly.
3. Note the orientation of the memory card(s).
4. If a RAM card is installed in the M1 connector slot, remove it first. To remove the card, hold it gently by the edges and slowly pull straight up.

**Note:** A gentle rocking motion may be necessary to loosen the card enough to remove it.

5. Carefully place the card aside.
6. If you have a second memory card, repeat Steps 4 and 5.

REPLACE SYSTEM BOARD

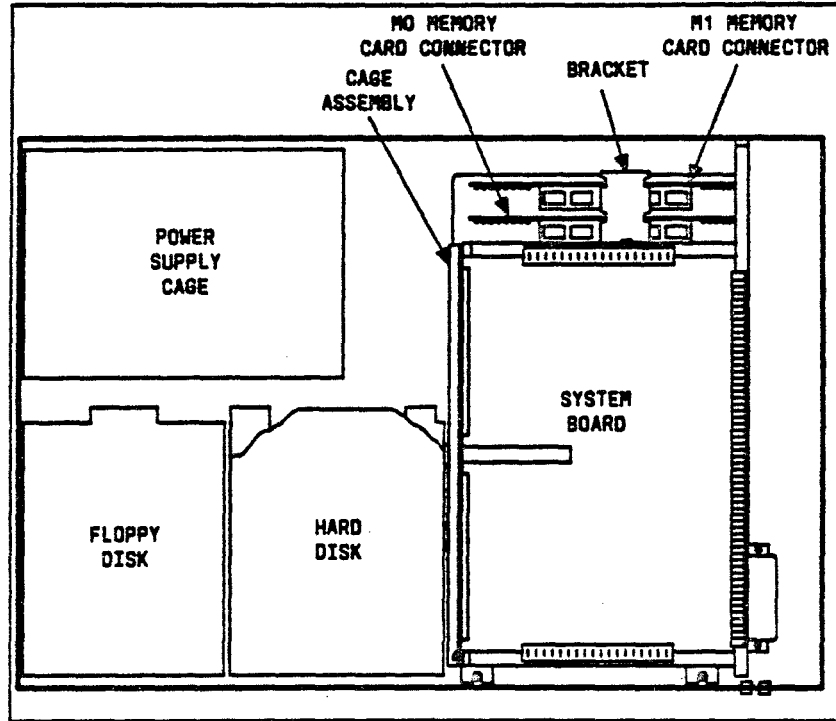


Figure 4-2. Internal View of 3B2/300 Computer

## Remove Feature Card Cables

**Caution:** *It is not necessary to remove the feature cards from the feature card cage assembly. However, if you do remove the feature cards instead of disconnecting the cables, be sure to record their location so the cards are placed back in the correct slots.*

Before removing any feature card cables, make sure that all the cables are labeled and that feature card labels are on the cable access door. (See Figure 4-3.) If different types of feature cards are installed, you may encounter different types of plugs going to the feature cards. These plugs will require different techniques to remove them.

- A. **Modular Plugs**— Modular plugs are connected to serial ports. To remove this type of plug, squeeze in the tab that is sticking out, and pull the plug out of the jack.
- B. **Parallel Port Plug**—To remove the plug going to a parallel port jack, you need to remove the screw used to secure the adapter plug to the parallel port jack. (See Figure 4-3.)

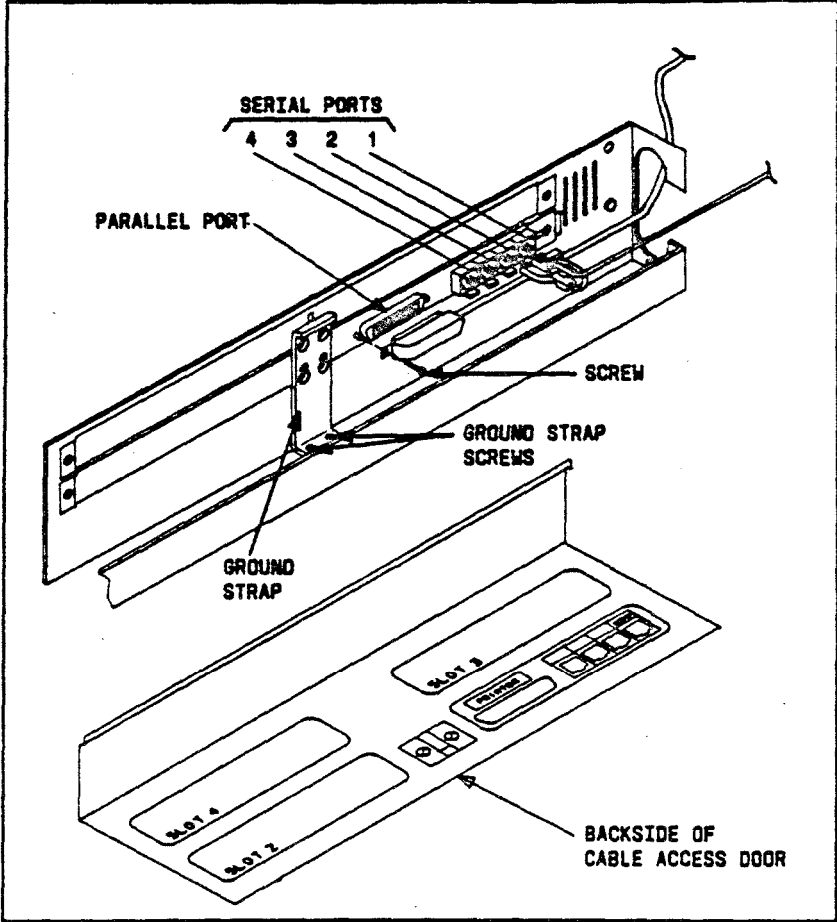


Figure 4-3. Disconnecting Parallel Port Plug

## REPLACE SYSTEM BOARD

---

- C. CTC and XDC Cards— In order to remove the cable from a CTC (Cartridge Tape Controller) or an XDC (Expansion Disk Controller) feature card, you need to slide the card out a few inches.

**Note:** Before you can slide the card out, you need to remove the ground strap and the ground clip (Figure 4-4).

After sliding the card out, loosen but do not remove the two strain relief securing screws that are located in the holes below the cutout on the faceplate of the card. Unplug the cable from the card and slide the card back into the slot. (See Figure 4-4 and Figure 4-5.)

- D. 3BNET Card— The cable going to a 3BNET feature card is secured to the card by a locking latch clip on the connector. In order to remove the cable, you need to unlock the connector by sliding back the locking latch clip.



REPLACE SYSTEM BOARD

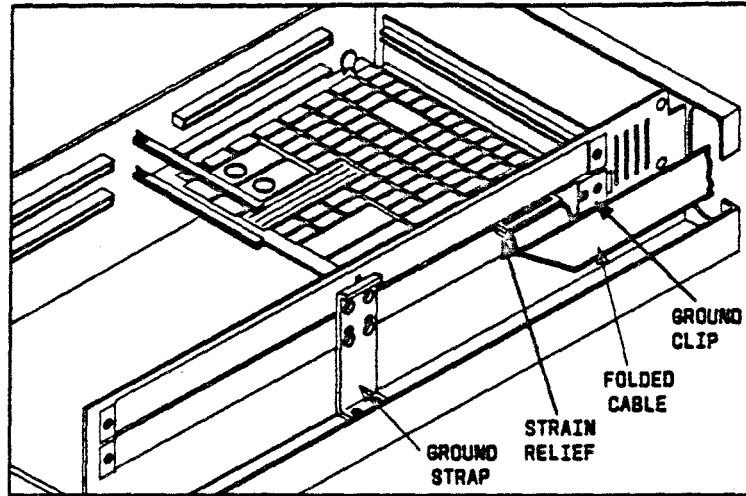


Figure 4-4. Installed CTC/XDC Feature Card

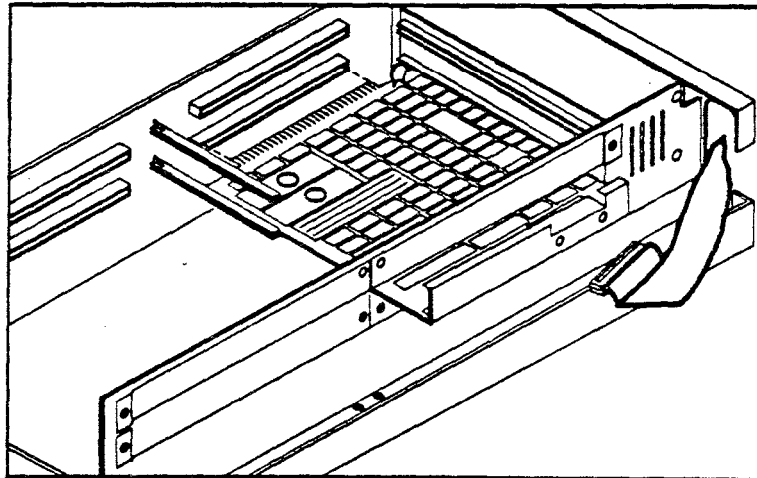


Figure 4-5. CTC/XDC Feature Card With Cable Removed

## REPLACE SYSTEM BOARD

---

### Remove Feature Card Cage Assembly

1. Remove and save the two screws holding the ground strap to the chassis. (See Figure 4-3.)
2. Remove and save the four screws holding the cage assembly to the chassis. (See Figure 4-6.)
3. Gently lift the card cage assembly [with feature card(s) still installed] from its chassis.

**Note:** Since the backplane is connected to the cage assembly, the backplane must be disconnected from the system board before the cage assembly can be removed. In order to loosen the backplane from its system board connector, you may need to gently rock the left side of the card cage back and forth.

REPLACE SYSTEM BOARD

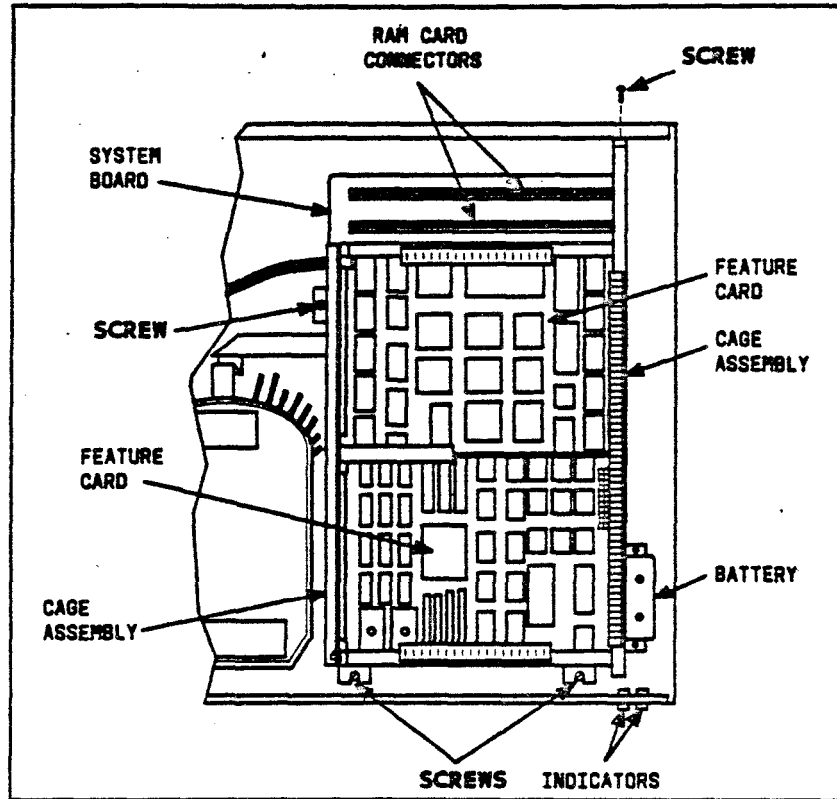


Figure 4-6. Removing Feature Card Cage Assembly

## REPLACE SYSTEM BOARD

---

### REMOVE SYSTEM BOARD

Refer to Figure 4-7, and do the following steps to remove the system board:

1. Unplug the dual UART ribbon cable from the system board.
2. Unplug power cable.
3. If a disk power cable is connected to the system board, remove it.

**Note:** Early versions of system boards will not have a connector for the disk power cable.

4. Unplug disk interface cables.
5. Unplug the battery wires.
6. Unplug the wires going to the POWER and DIAGNOSTIC indicators.

**Note:** On some older model system boards these wires are soldered onto the system board. The migration kits include replacement wires to use with the 3B2/310 Computer system boards.

7. Remove and save the six screws holding the system board to the chassis.
8. Carefully remove the system board.

# REPLACE SYSTEM BOARD

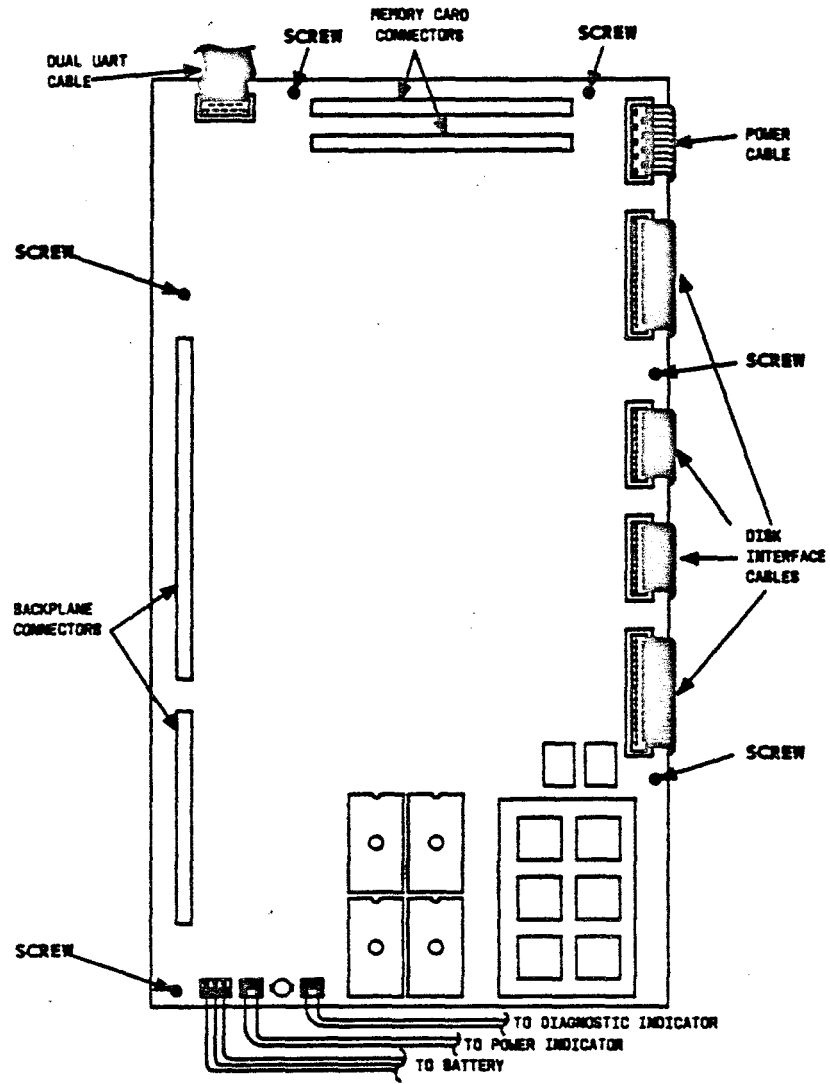


Figure 4-7. Removing 3B2/300 Computer System Board

## REPLACE SYSTEM BOARD

---

### INSTALL 3B2/310 COMPUTER SYSTEM BOARD

Refer to Figure 4-8, and install the 3B2/310 Computer System Board.

1. Make sure the ribbon cables that pass under the system board are lying flat.
2. If the power wires passed under the system board, move them out of the way so the wires will not be under the system board when you install it.

**Note:** On early versions of the 3B2/300 Computer System Board the power connector was on the right side, and the power wires passed under the system board. On the 3B2/310 Computer System Board the power connector is on the left side of the system board.

3. Using the six screws from the old system board, fasten the system board to the chassis.
4. Connect the battery wires.
5. Connect the POWER and DIAGNOSTIC indicator wires. If the wires were soldered to the old system board, use the new wires that came with the migration kit.
6. Connect the dual UART plug to the system board.
7. Connect the disk power cable to the system board if one was connected to the old system board.
8. Connect the power wires to the system board.
9. Connect the disk interface cables.

# REPLACE SYSTEM BOARD

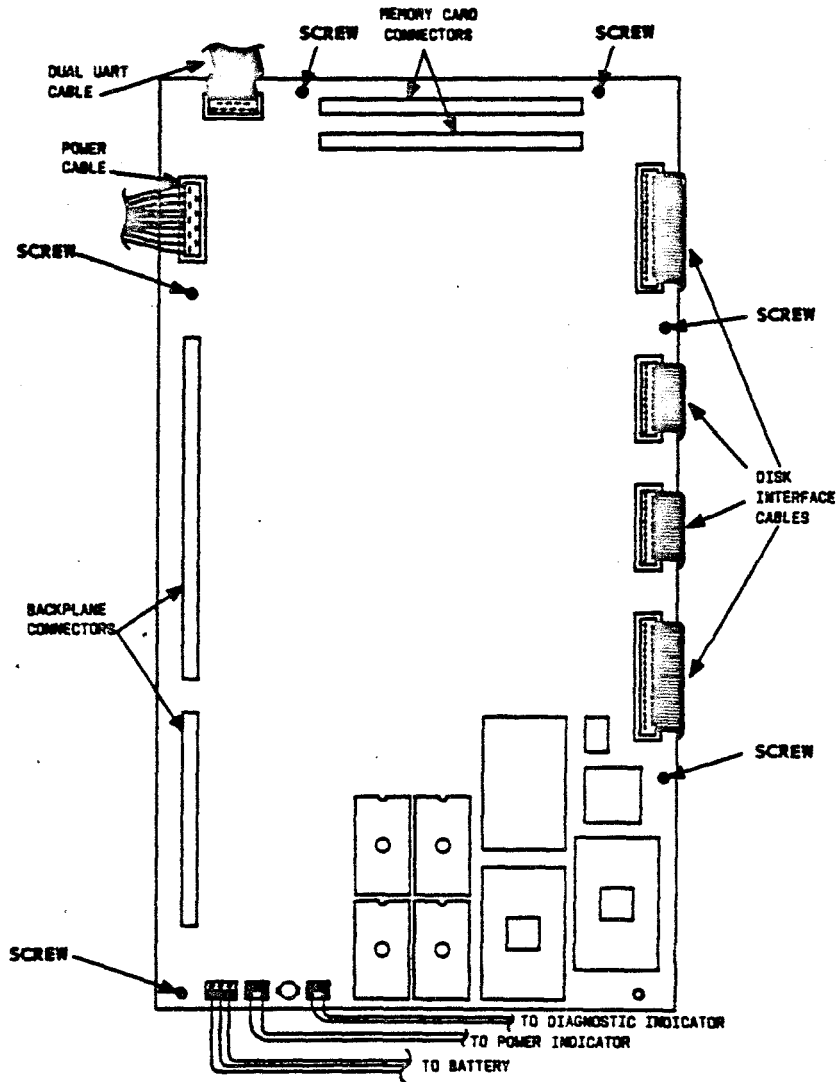


Figure 4-8. Installing 3B2/310 Computer System Board

## REPLACE SYSTEM BOARD

---

### **INSTALL 3B2/310 COMPUTER DEMON EPROMs**

In order to have the Debug Monitor feature on a 3B2/310 Computer, 3B2/310 Computer DEMON EPROMs must be installed on the system board; 3B2/300 Computer DEMON EPROMs are not compatible with a 3B2/310 Computer. If DEMON EPROMs are to be installed, install the EPROMs at this time. Refer to the installation procedure in the *AT&T 3B2 Computer Debug Monitor Guide*.

### **REASSEMBLE COMPUTER**

#### **Install Feature Card Cage Assembly**

1. Carefully position the cage assembly over the system board. (See Figure 4-9.) Align the back plane connectors and brackets.

***Caution: Be careful that you DO NOT pinch any wires or cables under the cage assembly supports. Also take care not to damage the indicators on the front of the 3B2 Computer.***

2. Gently push down on the left side (as you face the front of the computer) of the cage assembly to firmly seat the back plane connectors in the back plane connector slots on the system board.
3. Using the four screws, secure the cage assembly to the chassis.



REPLACE SYSTEM BOARD

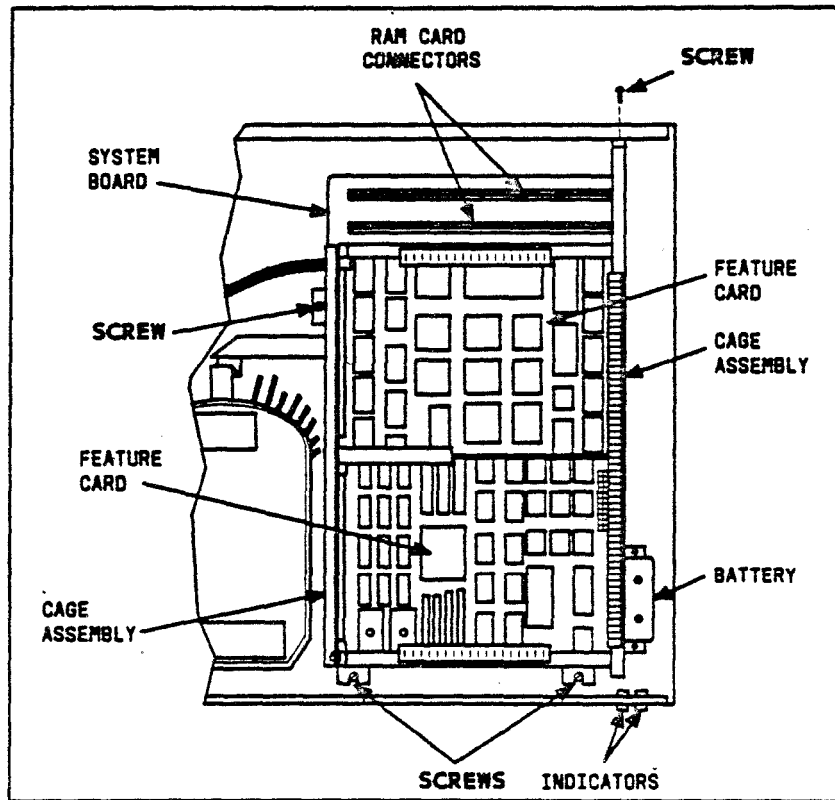


Figure 4-9. Installing Feature Card Cage Assembly

## REPLACE SYSTEM BOARD

---

### Connect Feature Card Cables

1. Using the diagram shown on the back of the cable access door, connect the feature card cables to the appropriate jacks.
  - A. **Modular Plugs**—Align the plug with the serial port, and push in the plug until you hear a click.
  - B. **Parallel Port Plugs**—After connecting the adapter plug to the parallel port jack, tighten the screw to secure the plug to the jack. (See Figure 4-10.)
  - C. **CTC/XDC Cards**—Slide the card out a few inches and connect the plug. Slide the card back into the slot and then tighten the two strain relief screws. Attach and secure the ground clip.
  - D. **3BNET Card**—After connecting the cable to the feature card, lock the connector in place by sliding the locking latch clip to the locked position.
2. Connect the ground strap to the chassis. (See Figure 4-10.)

REPLACE SYSTEM BOARD

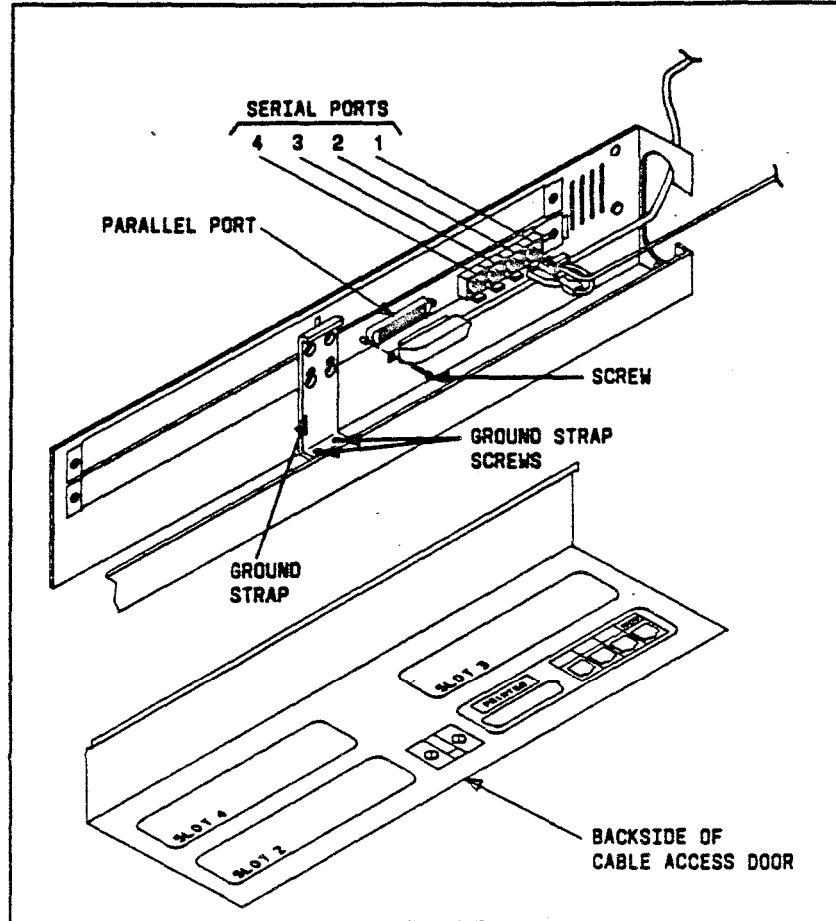


Figure 4-10. Connecting Feature Card Cables and Ground Strap

## REPLACE SYSTEM BOARD

---

### **Install RAM Memory Card(s)**

1. Carefully pick up a memory card by its edges.
2. With the component side facing toward the cage assembly, hold the memory card over the M0 connector slot. (See Figure 4-11.)
3. Gently insert the card into the connector until it is firmly in place.
4. If you have a second memory card, repeat Steps 2 and 3 at the M1 connector slot.
5. Place the bracket on top of the memory card(s), and slide the bracket down onto the screw attached to the cage assembly.
6. Tighten the screw to lock the bracket and the memory card(s) in place.

### **Replace Computer Cover and Cable Access Door**

1. Place the top cover over the chassis, and secure the cover with the four screws.
2. Replace the cable access door. (See Figure 4-1.)
3. Plug in the power cord.

REPLACE SYSTEM BOARD

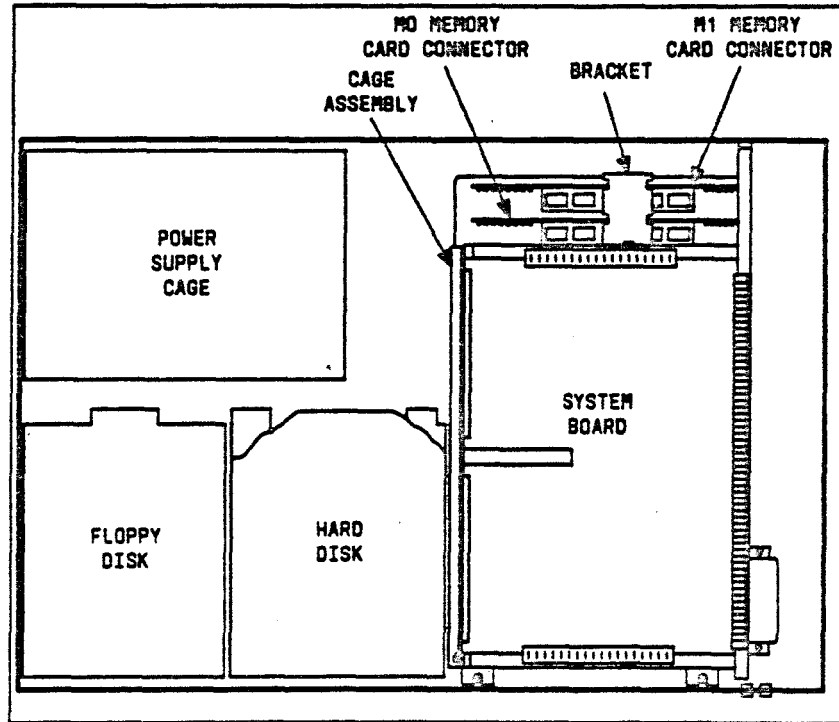


Figure 4-11. Internal View of 3B2/310 Computer

## REPLACE SYSTEM BOARD

---

### **PLACE NEW LABEL ON COMPUTER**

Each migration kit contains labels to change the identity of the 3B2/300 Computer to a 3B2/310 Computer. Choose the appropriate *AT&T 3B2/310* Computer label and place it on the front of the computer.

You also need to make a minor modification to the label on the back of the computer; the label which contains the model, code, serial number, and FCC information. With a marker place an "M" at the end of the serial number to identify the computer as a 3B2/310 Computer.

### **RETURN SYSTEM BOARD**

The migration of a 3B2/300 Computer to a 3B2/310 Computer includes a return policy on the system board. Return the 3B2/300 Computer System Board to your Material Stock Location (MSL) where it will go through the normal repair process.

## Chapter 5

### VERIFY SYSTEM OPERATION

|                              | PAGE |
|------------------------------|------|
| APPLY POWER .....            | 5-1  |
| RUN DEMAND DIAGNOSTICS ..... | 5-2  |
| INSTALL UTILITIES .....      | 5-5  |





## Chapter 5

---

### VERIFY SYSTEM OPERATION

#### APPLY POWER

1. Before you apply power, make sure the baud rate of the console terminal is set at 9600 baud.
2. Depress the POWER SWITCH to the ON position.

Since the battery was disconnected, the following message will be displayed:

```
FW ERROR 1-01: NVRAM SANITY FAILURE
 DEFAULT VALUES ASSUMED
 IF REPEATED, CHECK THE BATTERY
```

3. Wait for Console Login: to appear.

## VERIFY SYSTEM OPERATION

---

### RUN DEMAND DIAGNOSTICS

In order to "check out" the new system board, run the system board demand diagnostics.

1. Log in as **root** and enter:

```
shutdown -y -g0 -i5<CR>
```

to go to the firmware mode.

Response:

A series of messages is displayed ending with

```
FIRMWARE MODE
```

2. Enter the firmware password:

```
mcp<CR>.
```

Response:

```
Enter name of program to execute []:
```

3. Enter:

```
dgmon<CR>
```

Response:

A table of possible load devices is displayed.

VERIFY SYSTEM OPERATION

---

4. Select the default load device by depressing carriage return.

<CR>

Response:

The following prompt is displayed:

```
 3B2 DIAGNOSTIC MONITOR
 DGMON >
```

5. Enter:

```
1 sbd<CR>
```

to display the diagnostic phase table for the system board. The phase table lists the phase numbers, phase types, and a phase description.

6. Run the diagnostic phases that are labeled "DEMAND." For example, to run system board diagnostic phase 11, enter:

```
dgn sbd ph=11<CR>
```

An example of a successful completion would be:

```
<<< DIAGNOSTIC MODE >>>
Test: Dynamic Memory Diagnostic DEMAND
Time Taken = 70 seconds
1 2 3 4
Dynamic Memory Diagnostic Completed ATP

 SBD 0 (IN SLOT 0) DIAGNOSTICS PASSED
DGMON >
```

## VERIFY SYSTEM OPERATION

---

7. Enter:

q<CR>

to exit the diagnostic monitor.

Response:

Enter name of program to execute [ ]:

8. Enter:

unix<CR>

A typical response is:

Possible load devices are:

| Option Number | Slot | Name |
|---------------|------|------|
| 0             | 0    | FD5  |
| 1             | 0    | HD30 |

Enter Load Device Option Number [1 (HD30)]:

9. Enter:

1<CR>.

Response:

After a slight delay, messages are displayed reporting the status of the boot process. The final message to appear is:

Console Login:

## INSTALL UTILITIES

Log in and enter `sysadm listpkg` to list the utilities that are currently installed on the computer. Install all those utilities included in the migration package that are not already installed.

**Caution:** *Be particularly careful to not install the following utilities if they are already installed:*

- *Basic Networking*
- *Terminal Filters*
- *Line Printer Spooling*

***If you reinstall the Basic Networking and Line Printer Spooling utilities, files that were changed or created when setting up these utilities will be overwritten. Considerable work may be required to return these utilities to their pre-migration states.***

The recommended sequence for installing the utilities is:

1. Terminal Information
2. Directory and File Management
3. Editing
4. Security Administration (Only available in the United States)
5. System Administration
6. User Environment
7. Inter-Process Communication

## VERIFY SYSTEM OPERATION

---

8. Basic Networking
9. Help
10. Terminal Filters
11. Line Printer Spooling
12. Performance Measurements
13. Spell
14. Graphics

This completes the migration of the 3B2/300 Computer to a 3B2/310 Computer. Before you leave:

- Call 1-800-922-0354 (hot line) and inform the National Software Support Center (NSSC) that the 3B2/300 Computer has been migrated to a 3B2/310 Computer.
- Remind the customer that there are tasks in the *Customer Migration Manual* that need to be performed, for example, making a new floppy key and re-establishing networking.
- Don't forget to return the 3B2/300 Computer System Board to your MSL.

Your comments and suggestions are appreciated and will help us to provide the best documentation for your use.

1. How would you rate this document for COMPLETENESS? (Please Circle)

Excellent Adequate Poor  
4 ----- 3 ----- 2 ----- 1 ----- 0

2. Identify any information that you feel should be included or removed.

\_\_\_\_\_  
\_\_\_\_\_

3. How would you rate this document for ACCURACY of information? (Please Circle)

Excellent Adequate Poor  
4 ----- 3 ----- 2 ----- 1 ----- 0

4. Specify page and nature of any error(s) found in this document.

\_\_\_\_\_  
\_\_\_\_\_

5. How would you rate this document for ORGANIZATION of information? (Please Circle)

Excellent Adequate Poor  
4 ----- 3 ----- 2 ----- 1 ----- 0

6. Describe any format or packaging problems you have experienced with this document.

\_\_\_\_\_  
\_\_\_\_\_

7. Do you have any general comments or suggestions regarding this document?

\_\_\_\_\_  
\_\_\_\_\_

8. We would like to know a little about your background as a user of this document:

- A. Your job function \_\_\_\_\_
- B. Number of years experience with computer hardware: operation \_\_\_\_\_, maintenance \_\_\_\_\_
- C. Number of years experience with computer software: user \_\_\_\_\_, programmer \_\_\_\_\_

Your Name \_\_\_\_\_ Phone No. \_\_\_\_\_  
Company \_\_\_\_\_  
Address \_\_\_\_\_  
City & State \_\_\_\_\_ Zip Code \_\_\_\_\_

PERFORATE

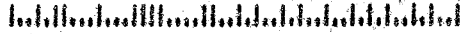


NO POSTAGE  
NECESSARY  
IF MAILED  
IN THE  
UNITED STATES

**BUSINESS REPLY MAIL**  
FIRST CLASS PERMIT NO. 1999 GREENSBORO N.C.  
POSTAGE WILL BE PAID BY ADDRESSEE



**DOCUMENTATION SERVICES**  
2400 Reynolda Road  
Winston-Salem, N.C. 27106-9989



Do Not Tear—Fold Here and Tape