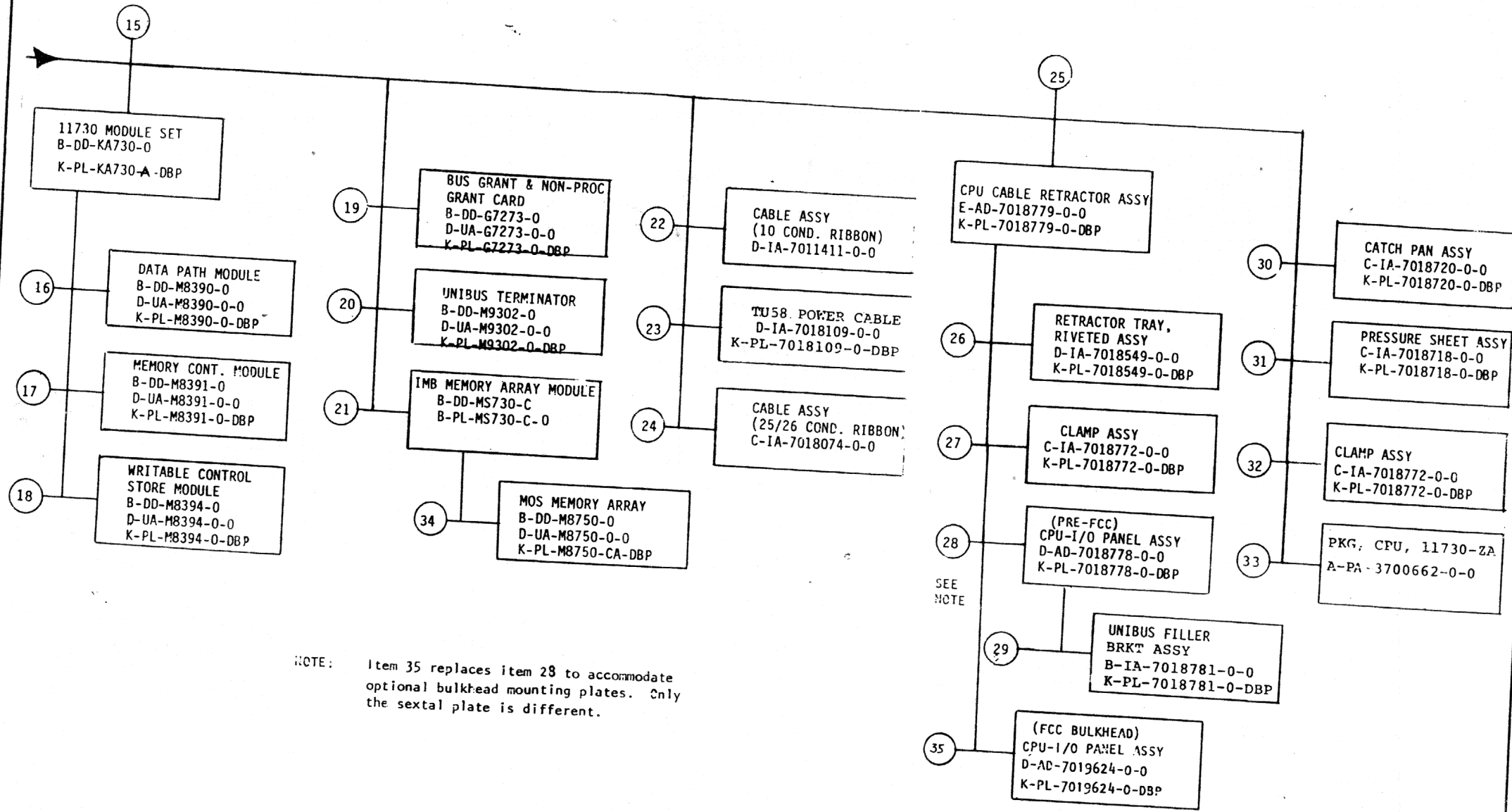






"THIS DRAWING AND SPECIFICATIONS, HEREIN, ARE THE PROPERTY OF DIGITAL EQUIPMENT CORPORATION AND SHALL NOT BE REPRODUCED OR COPIED OR USED IN WHOLE OR IN PART AS THE BASIS FOR THE MANUFACTURE OR SALE OF ITEMS WITHOUT WRITTEN PERMISSION. 1982  
 COPYRIGHT © DIGITAL EQUIPMENT CORPORATION"

REV B  
 NUMBER 11730-Z  
 SIZE CODE DD  
 SIZE 8

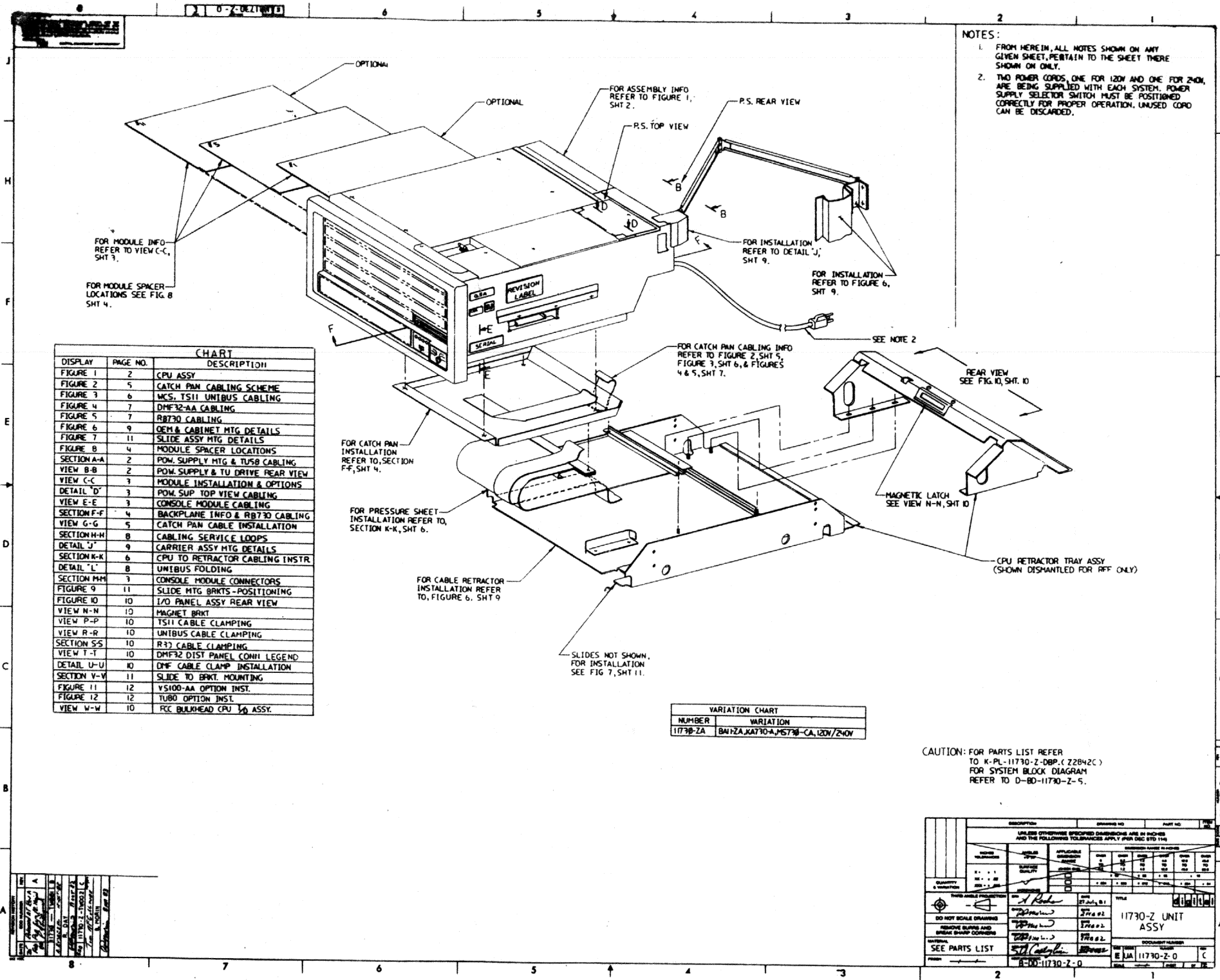


NOTE: Item 35 replaces item 28 to accommodate optional bulkhead mounting plates. Only the sextal plate is different.

DRB 107

TITLE 11730-Z UNIT ASSY  
 SHEET 3 OF 6  
 SIZE CODE DD  
 NUMBER 11730-Z  
 REV B

TW



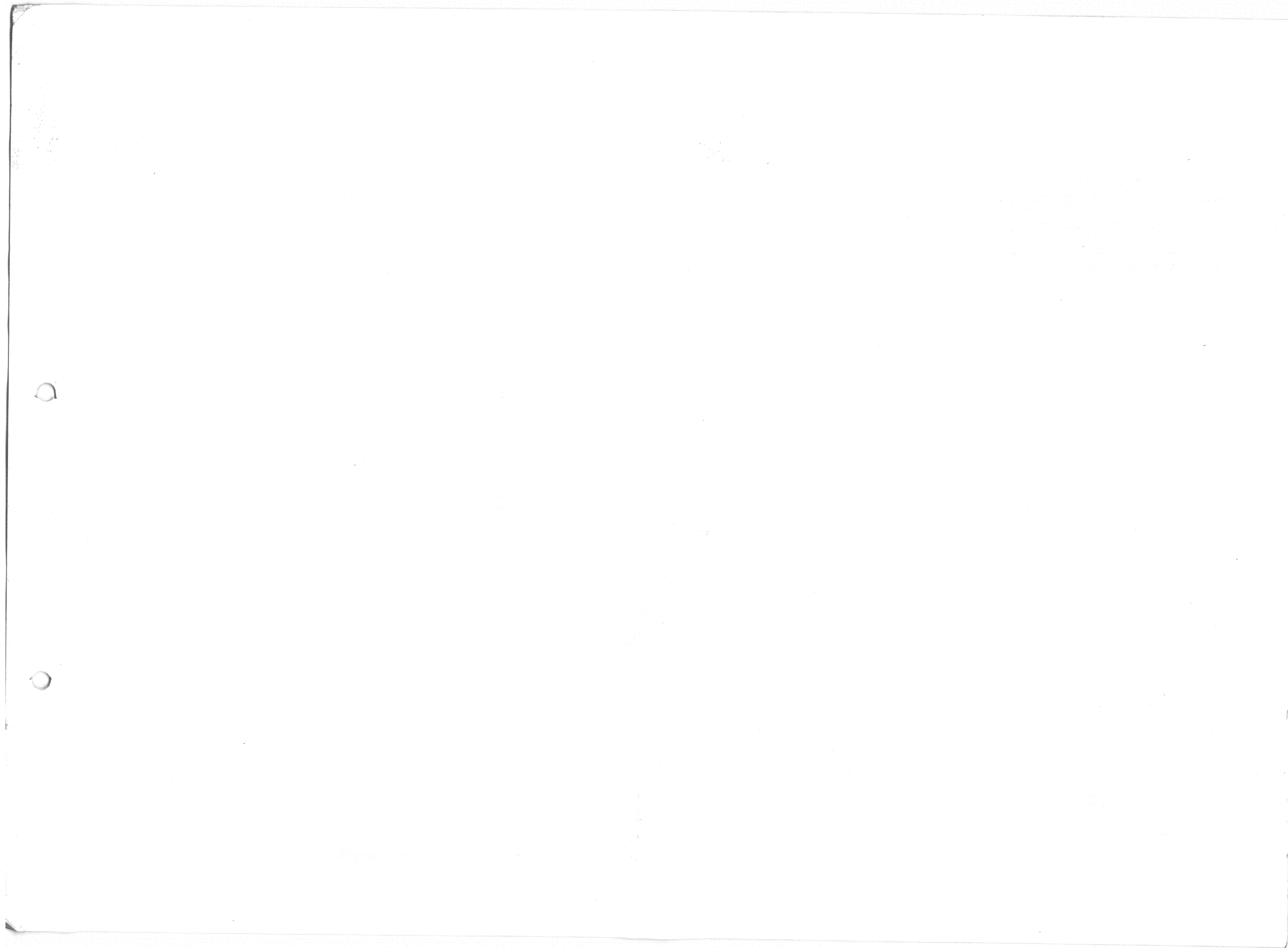
DISPLAY	PAGE NO.	DESCRIPTION
FIGURE 1	2	CPU ASSY
FIGURE 2	5	CATCH PIM CABLING SCHEME
FIGURE 3	6	MCS, TS11 UNIBUS CABLING
FIGURE 4	7	DMF32-AA CABLING
FIGURE 5	7	R8730 CABLING
FIGURE 6	9	OEM & CABINET MTG DETAILS
FIGURE 7	11	SLIDE ASSY MTG DETAILS
FIGURE 8	4	MODULE SPACER LOCATIONS
SECTION A-A	2	POW. SUPPLY MTG & TUSB CABLING
VIEW B-B	2	POW. SUPPLY & TU DRIVE REAR VIEW
VIEW C-C	7	MODULE INSTALLATION & OPTIONS
DETAIL 'D'	3	POW. SUP. TOP VIEW CABLING
VIEW E-E	3	CONSOLE MODULE CABLING
SECTION F-F	4	BACKPLANE INFO & R8730 CABLING
VIEW G-G	5	CATCH PIM CABLE INSTALLATION
SECTION H-H	8	CABLING SERVICE LOOPS
DETAIL 'J'	9	CARRIER ASSY MTG DETAILS
SECTION K-K	6	CPU TO RETRACTOR CABLING INSTR.
DETAIL 'L'	8	UNIBUS FOLDING
SECTION M-M	3	CONSOLE MODULE CONNECTORS
FIGURE 9	11	SLIDE MTG BRKTS - POSITIONING
FIGURE 10	10	I/O PANEL ASSY REAR VIEW
VIEW N-N	10	MAGNET BRKT
VIEW P-P	10	TS11 CABLE CLAMPING
VIEW R-R	10	UNIBUS CABLE CLAMPING
SECTION S-S	10	R730 CABLE CLAMPING
VIEW T-T	10	DMF32 DIST PANEL CONN LEGEND
DETAIL U-U	10	DMF CABLE CLAMP INSTALLATION
SECTION V-V	11	SLIDE TO BRKT MOUNTING
FIGURE 11	12	V5100-AA OPTION INST.
FIGURE 12	12	TUBO OPTION INST.
VIEW W-W	10	FCC BLANKHEAD CPU 3/2 ASSY.

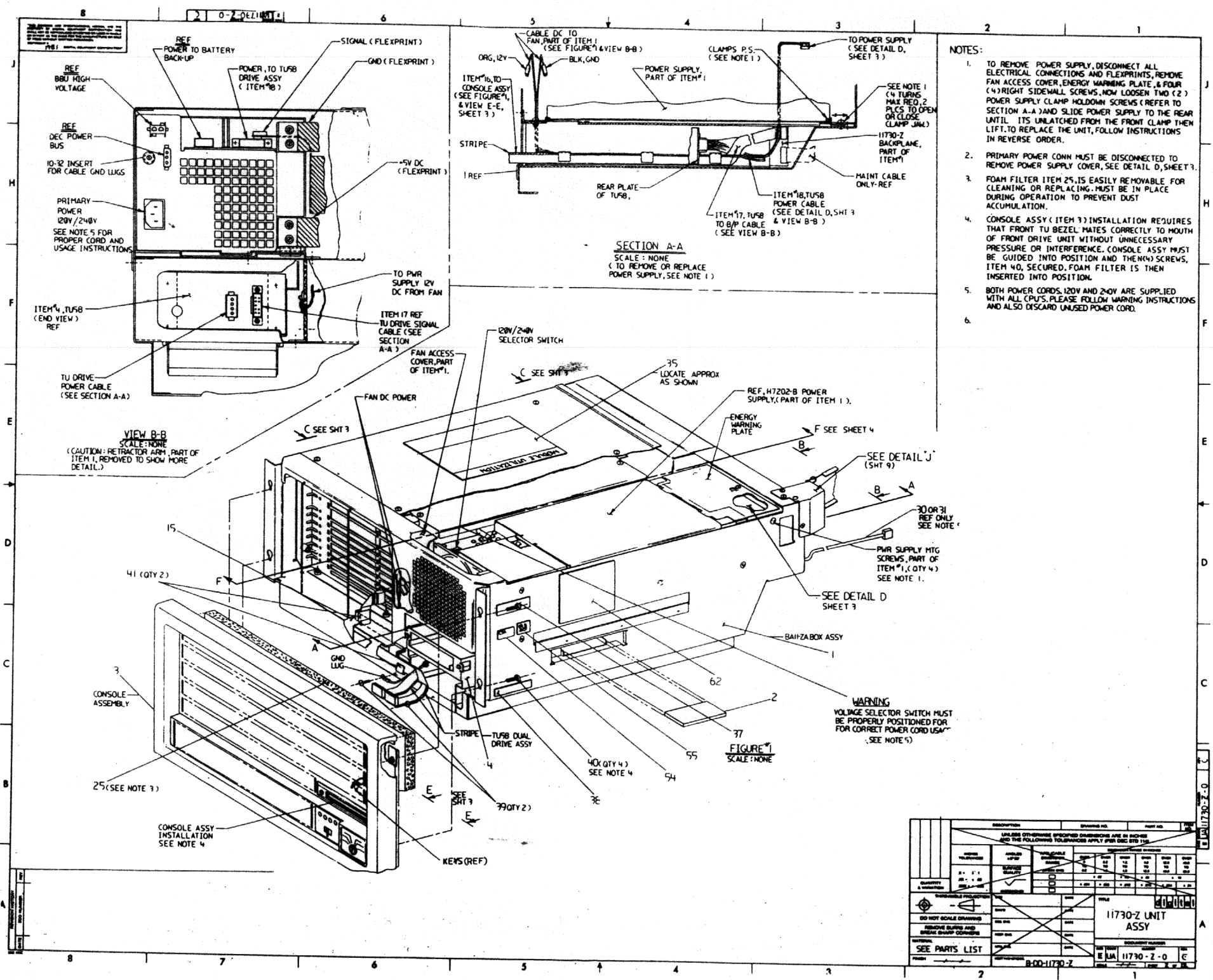
NUMBER	VARIATION
11730-2A	BA172A, KA730-A, M5730-CA, 120V/240V

CAUTION: FOR PARTS LIST REFER TO K-PL-11730-Z-DBP, (Z28+2C) FOR SYSTEM BLOCK DIAGRAM REFER TO D-80-11730-Z-5.

11730-2A	11730-2A	11730-2A	11730-2A	11730-2A	11730-2A	11730-2A	11730-2A	11730-2A	11730-2A
----------	----------	----------	----------	----------	----------	----------	----------	----------	----------

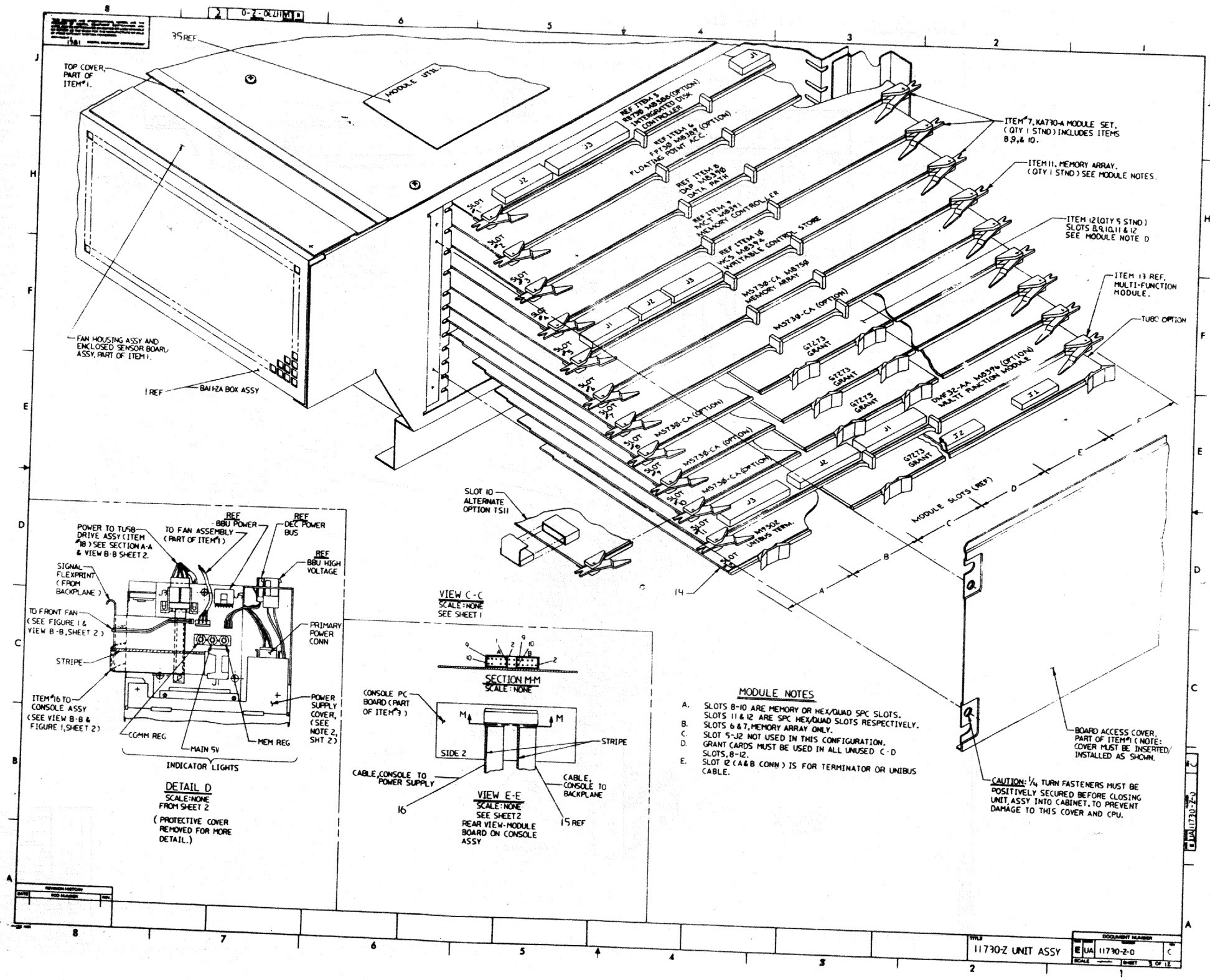
QUANTITY	DESCRIPTION	REVISION	DATE	BY	CHKD
1	11730-Z UNIT ASSY	1	11/73	J. J. ...	J. J. ...
1	11730-Z-0	1	11/73	J. J. ...	J. J. ...





- NOTES:**
1. TO REMOVE POWER SUPPLY, DISCONNECT ALL ELECTRICAL CONNECTIONS AND FLEXPRINTS, REMOVE FAN ACCESS COVER, ENERGY WARNING PLATE, & FOUR (4) RIGHT SIDEWALL SCREWS, NOW LOOSEN TWO (2) POWER SUPPLY CLAMP HOLDDOWN SCREWS (REFER TO SECTION A-A) AND SLIDE POWER SUPPLY TO THE REAR UNTIL ITS UNLATCHED FROM THE FRONT CLAMP THEN LIFT. TO REPLACE THE UNIT, FOLLOW INSTRUCTIONS IN REVERSE ORDER.
  2. PRIMARY POWER CONN MUST BE DISCONNECTED TO REMOVE POWER SUPPLY COVER, SEE DETAIL D, SHEET 3.
  3. FOAM FILTER ITEM 25, IS EASILY REMOVABLE FOR CLEANING OR REPLACING, MUST BE IN PLACE DURING OPERATION TO PREVENT DUST ACCUMULATION.
  4. CONSOLE ASSY (ITEM 3) INSTALLATION REQUIRES THAT FRONT TU BEZEL MATES CORRECTLY TO MOUTH OF FRONT DRIVE UNIT WITHOUT UNNECESSARY PRESSURE OR INTERFERENCE, CONSOLE ASSY MUST BE GUIDED INTO POSITION AND THEN 4) SCREWS, ITEM 40, SECURED, FOAM FILTER IS THEN INSERTED INTO POSITION.
  5. BOTH POWER CORDS, 120V AND 240V ARE SUPPLIED WITH ALL CPU'S, PLEASE FOLLOW WARNING INSTRUCTIONS AND ALSO DISCARD UNUSED POWER CORD.
  - 6.

DESCRIPTION	QUANTITY	UNIT	REVISION
11730-Z UNIT ASSY	1		
<p>ALL DIMENSIONS UNLESS OTHERWISE SPECIFIED ARE IN INCHES AND THE FOLLOWING TOLERANCES APPLY UNLESS OTHERWISE SPECIFIED</p>			
DATE	BY	CHKD	APP'D
<p>DO NOT SCALE DRAWING</p>			
<p>SEE PARTS LIST</p>			
<p>11730-Z UNIT ASSY</p>		<p>8-00-11730-Z</p>	



35 REF

TOP COVER, PART OF ITEM 1.

MODULE UTIL

FAN HOUSING ASSY AND ENCLOSED SENSOR BOARD ASSY, PART OF ITEM 1.

1 REF BAIHA BOX ASSY

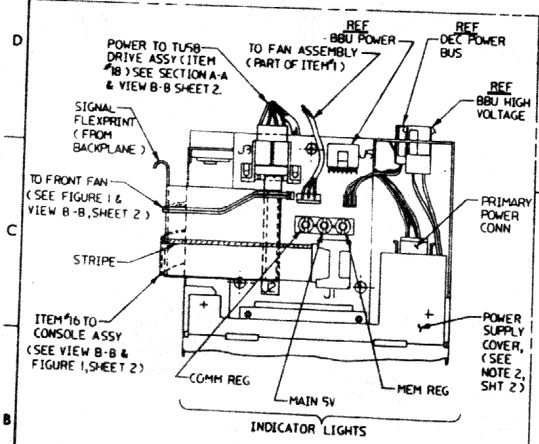
ITEM 7, KAT30-4 MODULE SET, (QTY 1 STD) INCLUDES ITEMS 8, 9, & 10.

ITEM 11, MEMORY ARRAY, (QTY 1 STD) SEE MODULE NOTES.

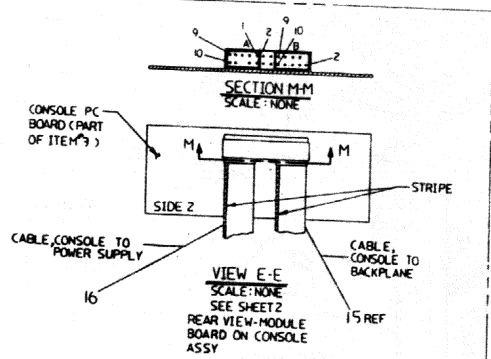
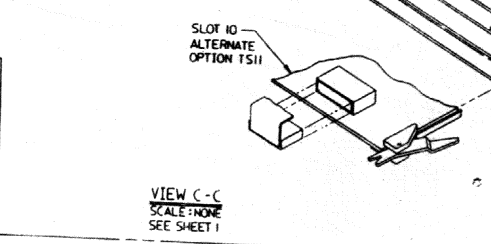
ITEM 12 (QTY 5 STD) SLOTS 8, 9, 11 & 12 SEE MODULE NOTE D

ITEM 13 REF, MULTI-FUNCTION MODULE.

TUBO OPTION



DETAIL D  
SCALE: NONE  
FROM SHEET 2  
(PROTECTIVE COVER REMOVED FOR MORE DETAIL.)

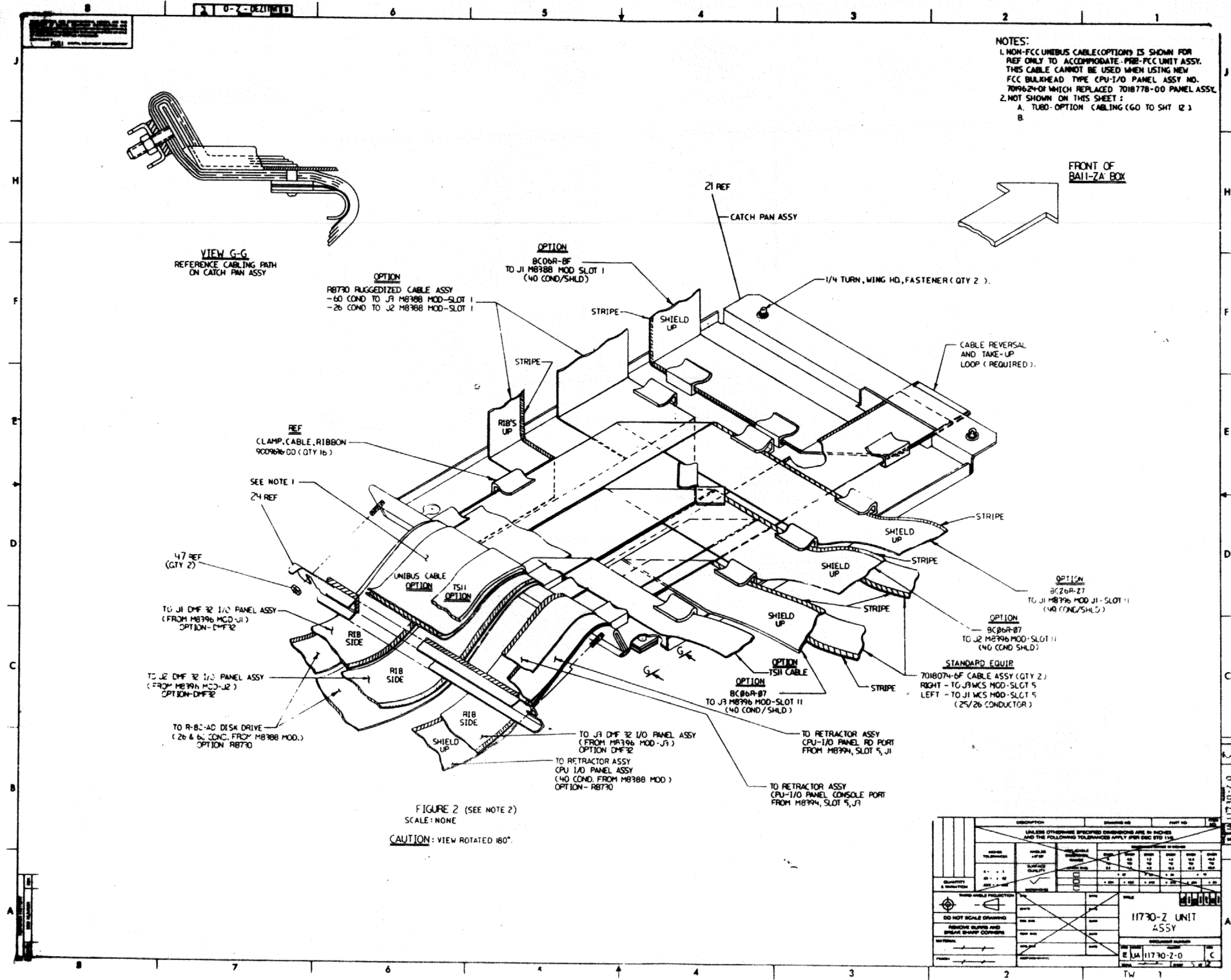


MODULE NOTES

- A. SLOTS 8-10 ARE MEMORY OR HEX/QUAD SPC SLOTS. SLOTS 11 & 12 ARE SPC HEX/QUAD SLOTS RESPECTIVELY.
- B. SLOTS 6 & 7, MEMORY ARRAY ONLY.
- C. SLOT 5-J2 NOT USED IN THIS CONFIGURATION.
- D. GRANT CARDS MUST BE USED IN ALL UNUSED C-D SLOTS, 8-12.
- E. SLOT 12 (A & B CONN) IS FOR TERMINATOR OR UNIBUS CABLE.

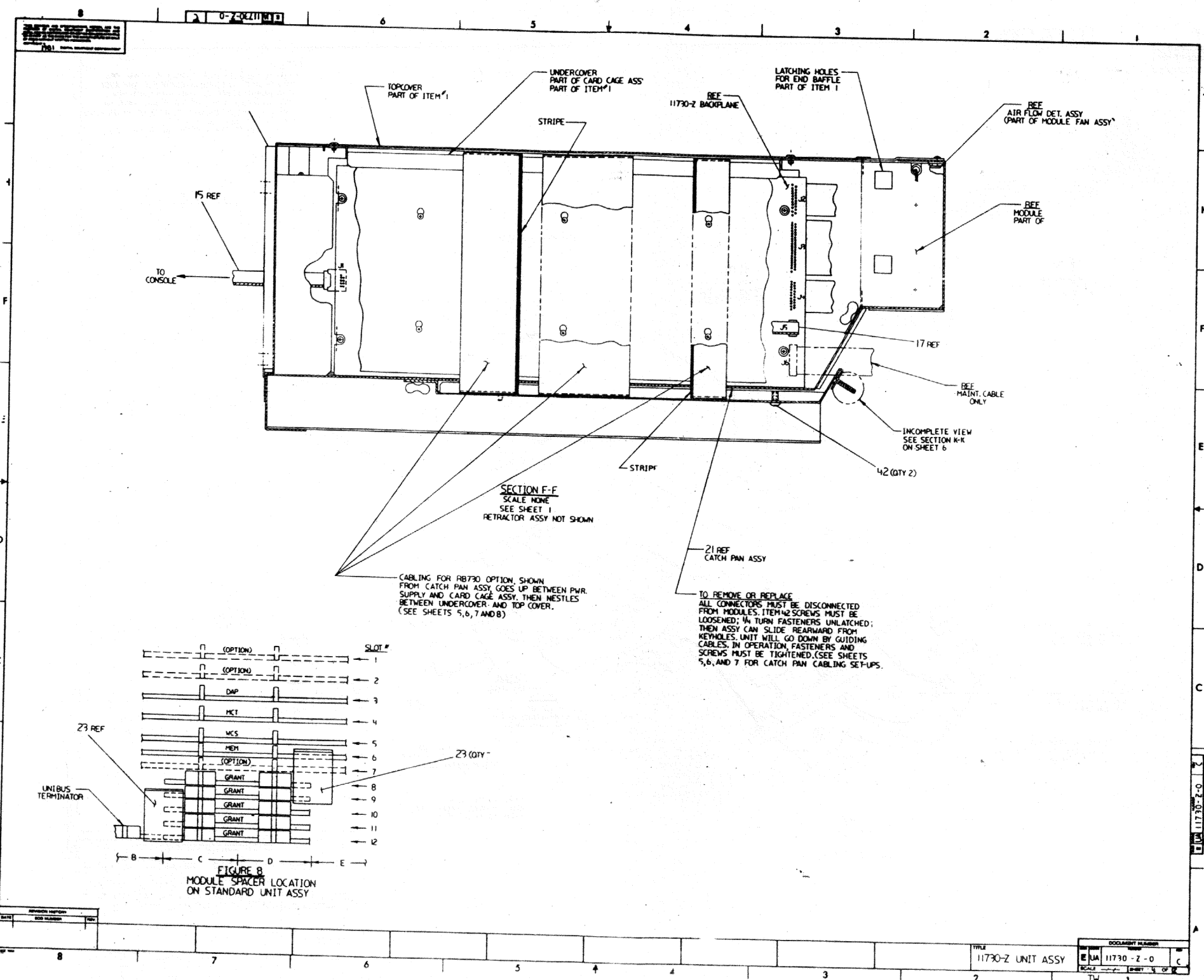
BOARD ACCESS COVER, PART OF ITEM 1 (NOTE: COVER MUST BE INSERTED/INSTALLED AS SHOWN.)

CAUTION: 1/4 TURN FASTENERS MUST BE POSITIVELY SECURED BEFORE CLOSING UNIT ASSY INTO CABINET, TO PREVENT DAMAGE TO THIS COVER AND CPU.

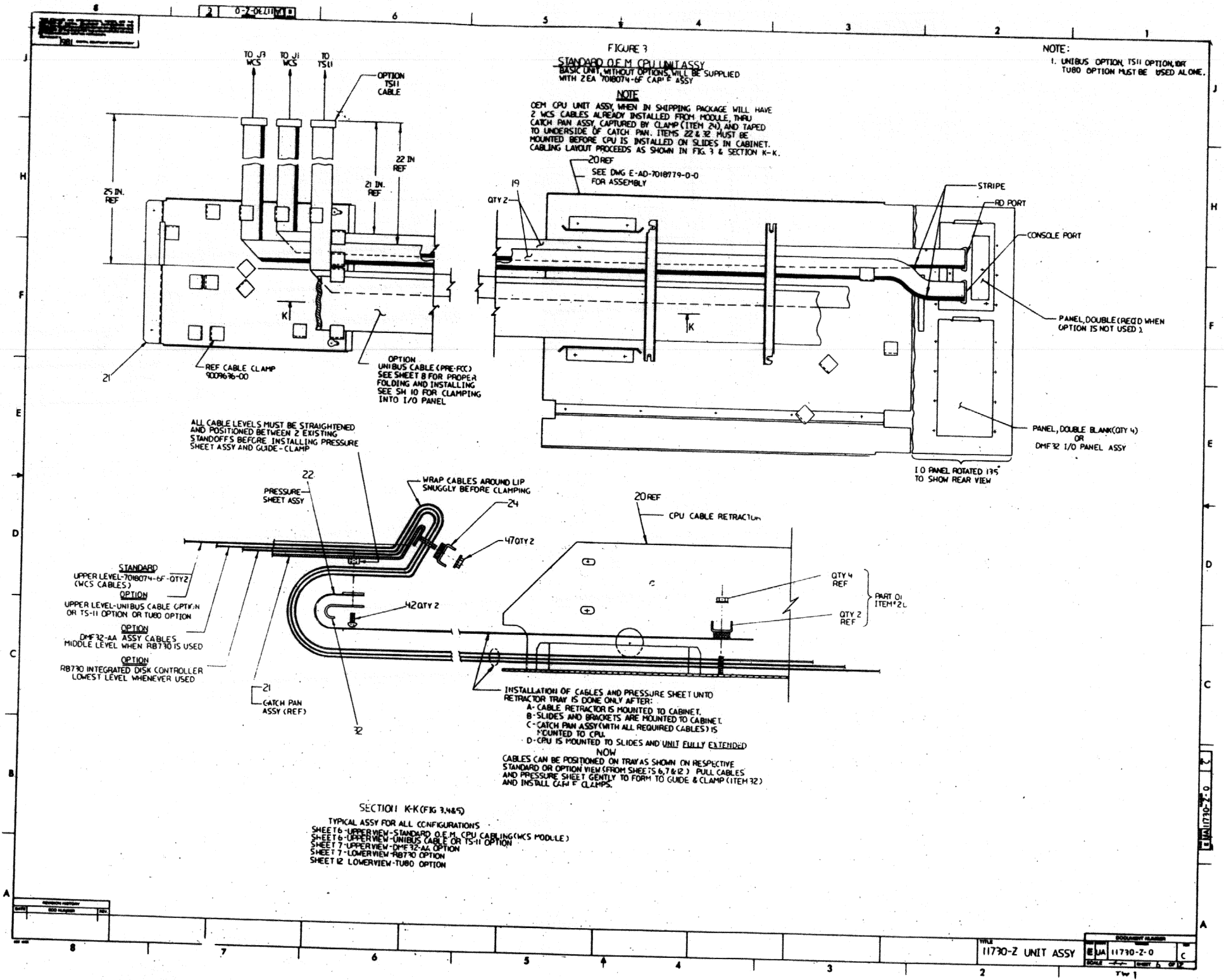


IDENTIFICATION		REVISION NO.	DATE
<p>USE THE DIMENSIONS SPECIFIED UNLESS OTHERWISE INDICATED AND THE FOLLOWING TOLERANCES APPLY UNLESS SHOWN OTHERWISE</p>			
Quantity	Part No.	Description	Material
1	11730-2	UNIT ASSY	
1	11730-2-0		









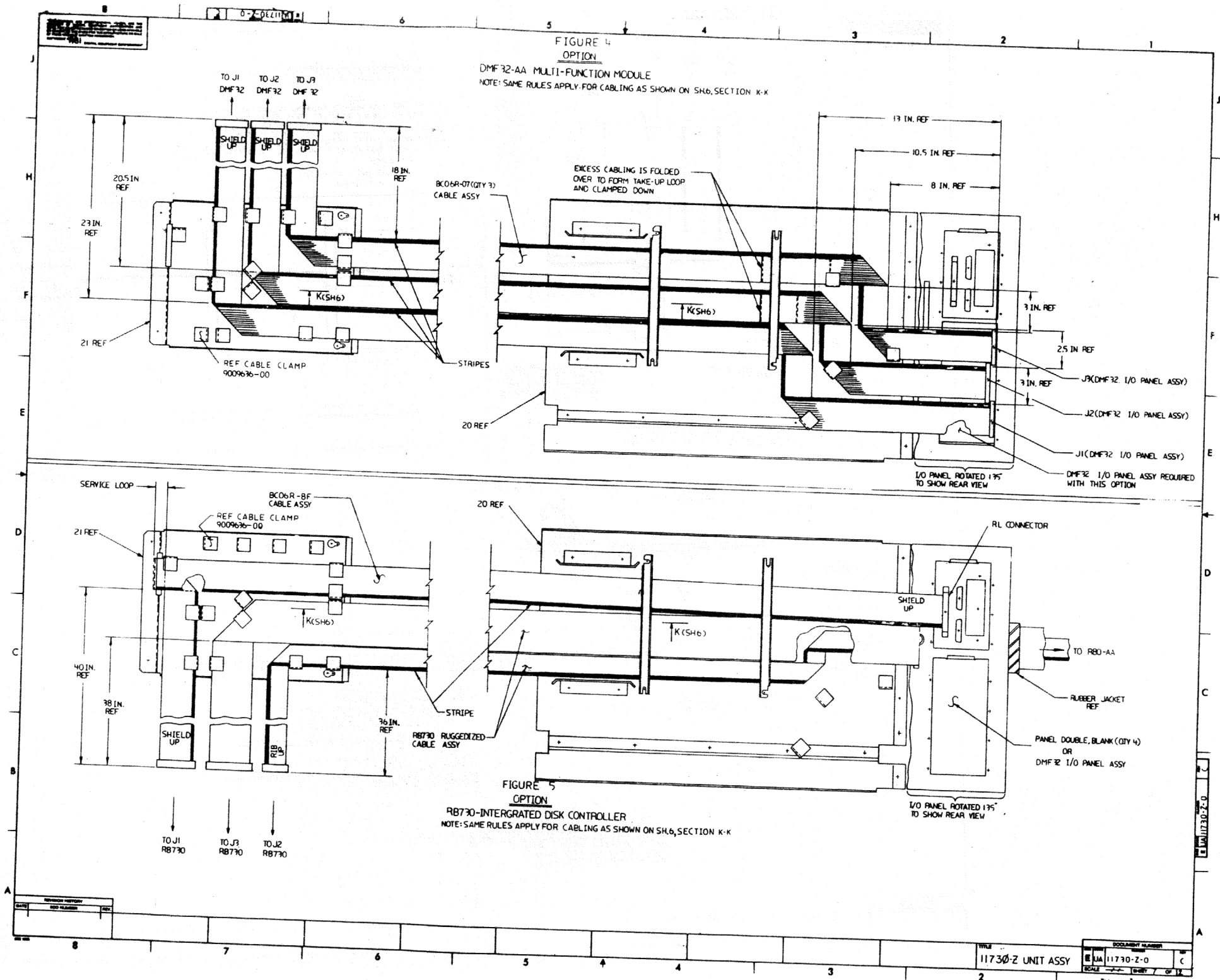
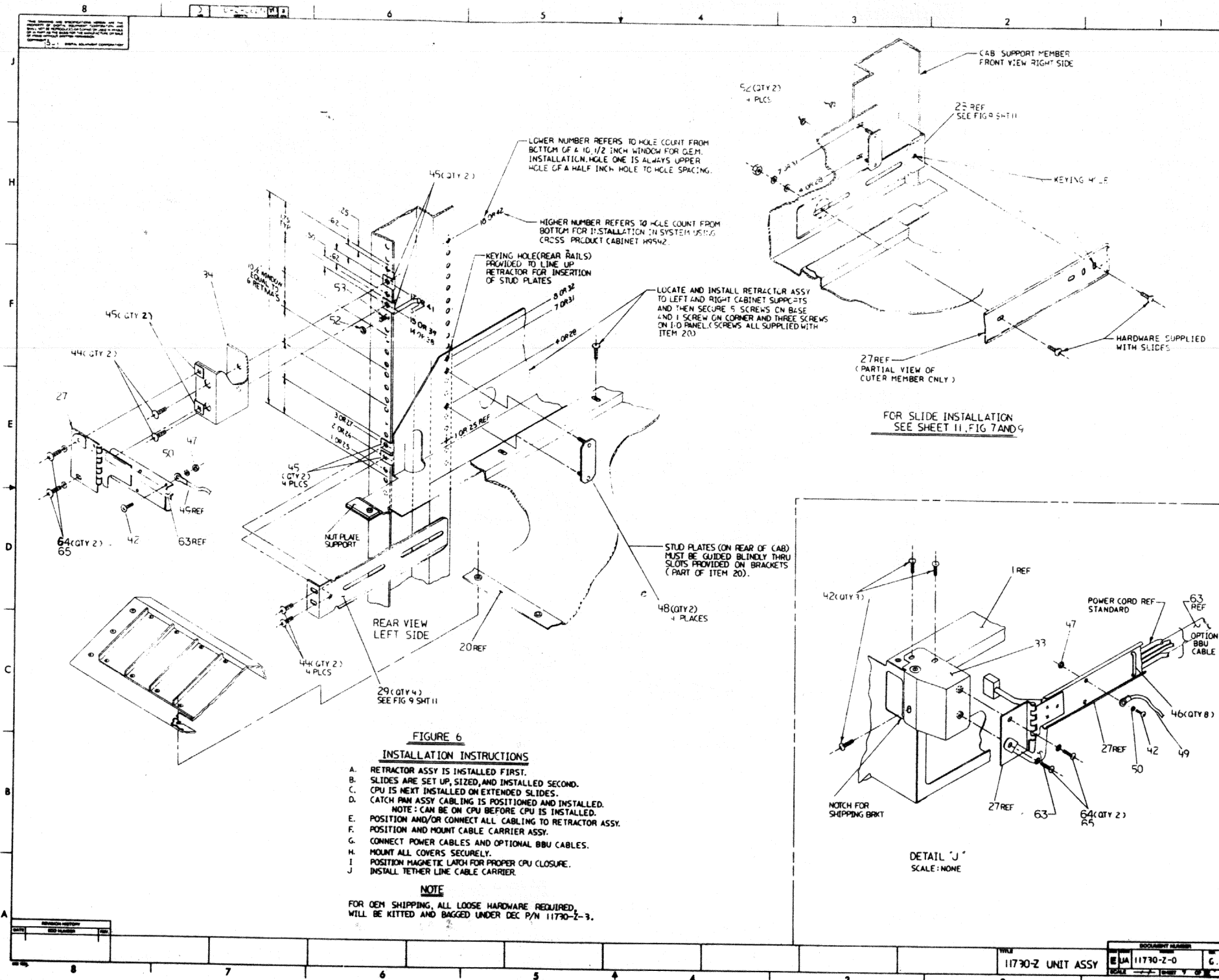


FIGURE 4  
 OPTION  
 DMF 32-AA MULTI-FUNCTION MODULE  
 NOTE: SAME RULES APPLY FOR CABLING AS SHOWN ON SH.6, SECTION K-K

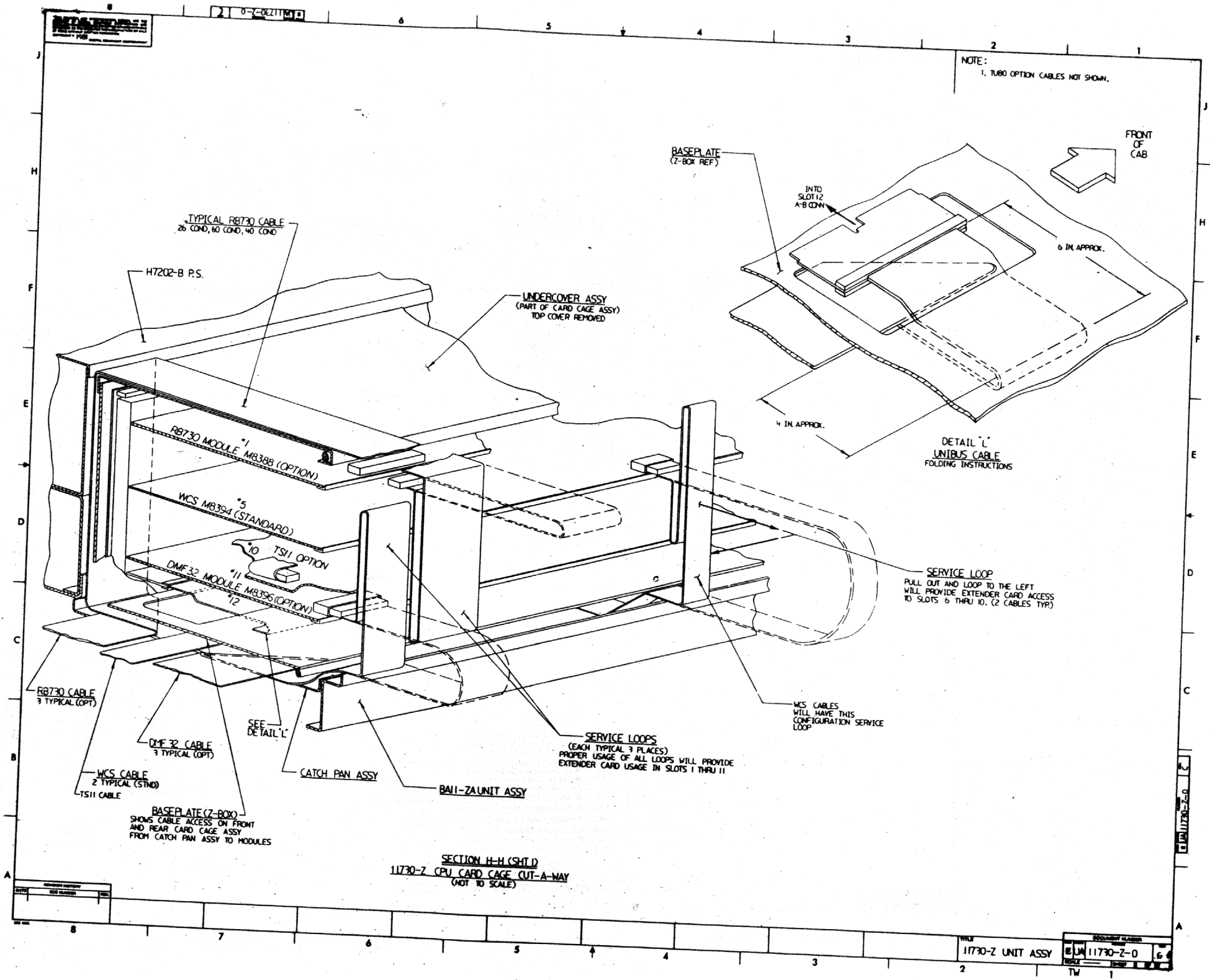
FIGURE 5  
 OPTION  
 RB730-INTEGRATED DISK CONTROLLER  
 NOTE: SAME RULES APPLY FOR CABLING AS SHOWN ON SH.6, SECTION K-K

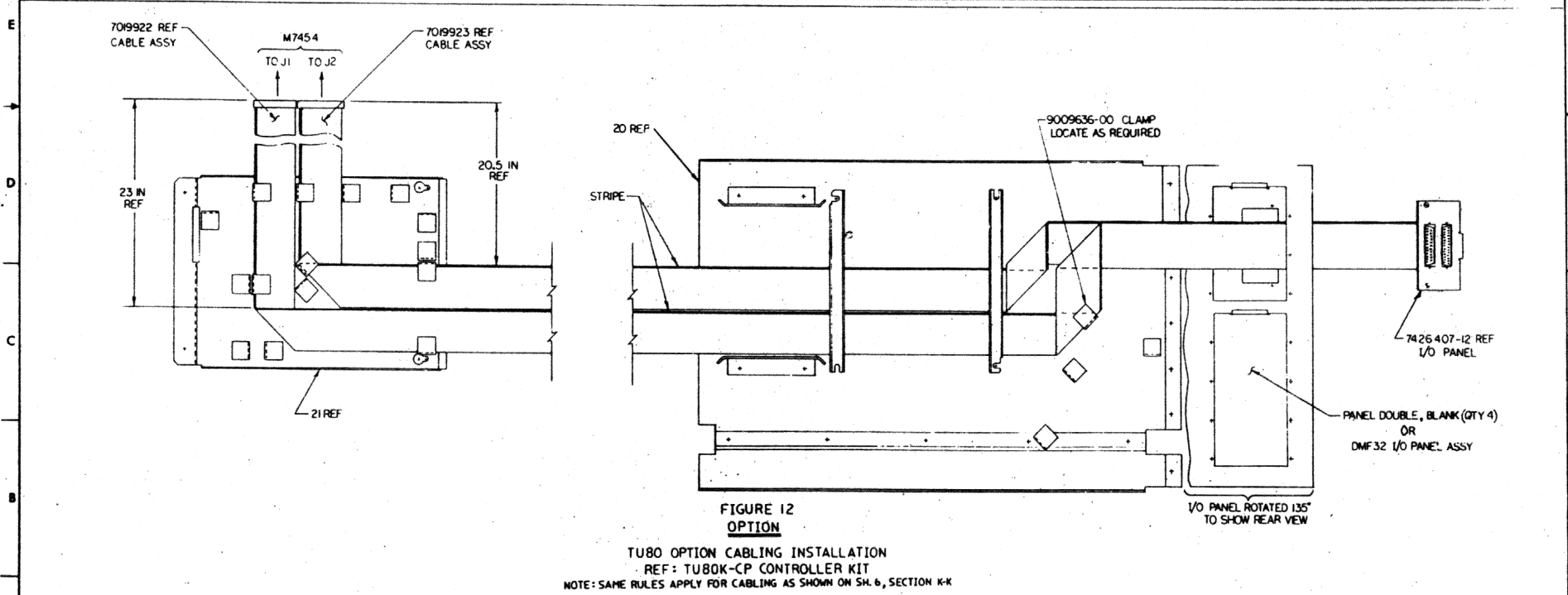
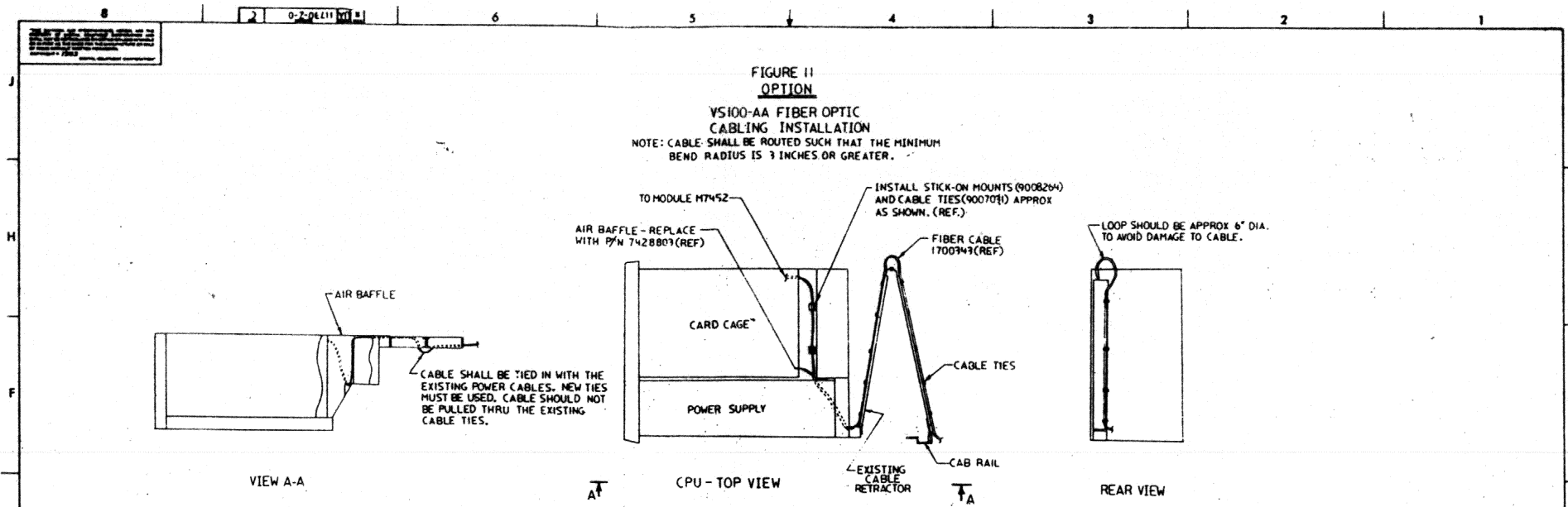
11730-Z UNIT ASSY  
 11730-Z-0  
 SCALE 1/4" = 1"

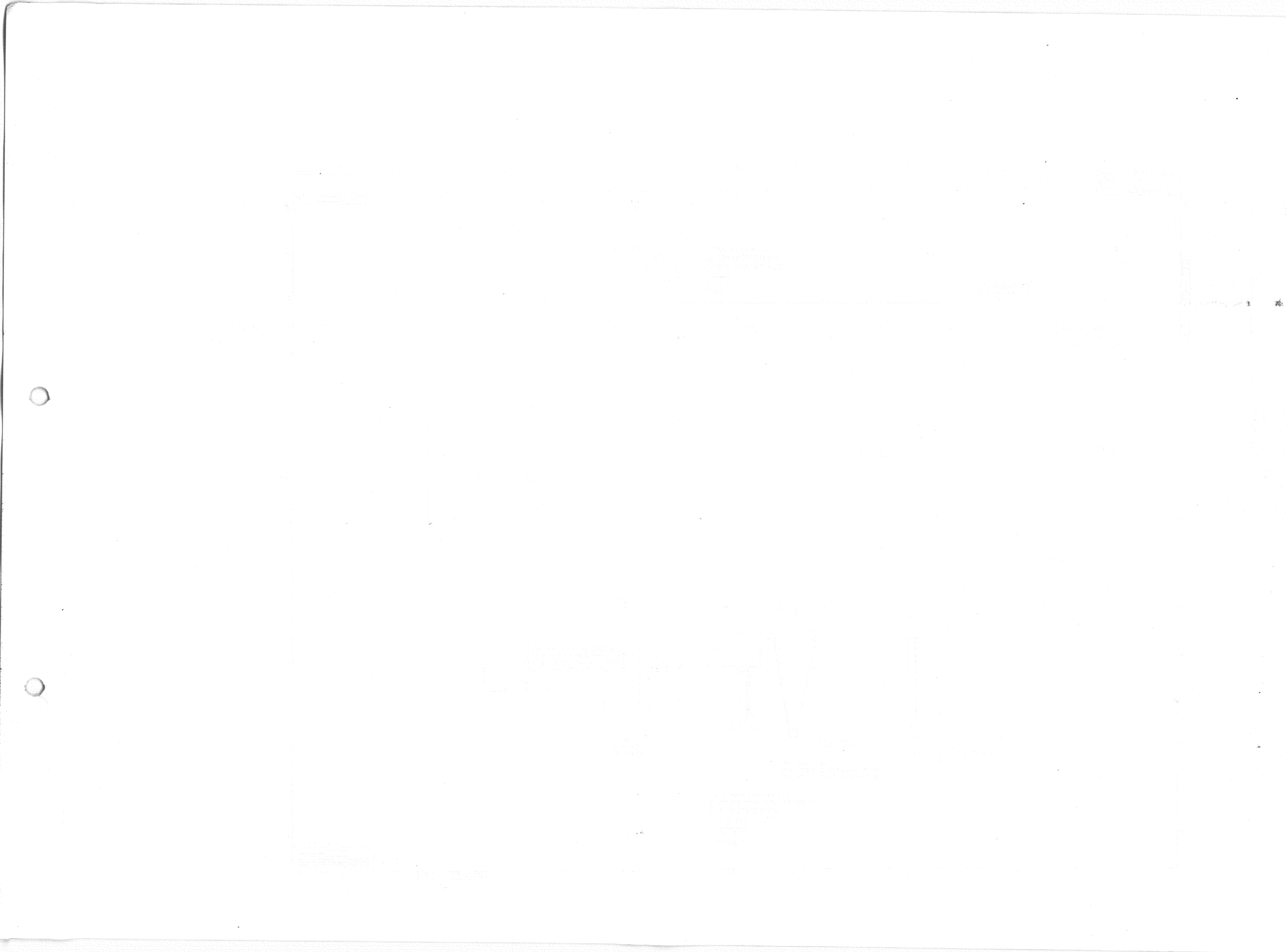


- FIGURE 6**  
**INSTALLATION INSTRUCTIONS**
- RETRACTOR ASSY IS INSTALLED FIRST.
  - SLIDES ARE SET UP, SIZED, AND INSTALLED SECOND.
  - CPU IS NEXT INSTALLED ON EXTENDED SLIDES.
  - CATCH PAN ASSY CABLING IS POSITIONED AND INSTALLED.  
NOTE: CAN BE ON CPU BEFORE CPU IS INSTALLED.
  - POSITION AND/OR CONNECT ALL CABLING TO RETRACTOR ASSY.
  - POSITION AND MOUNT CABLE CARRIER ASSY.
  - CONNECT POWER CABLES AND OPTIONAL BBU CABLES.
  - MOUNT ALL COVERS SECURELY.
  - POSITION MAGNETIC LATCH FOR PROPER CPU CLOSURE.
  - INSTALL TETHER LINE CABLE CARRIER.

**NOTE**  
 FOR OEM SHIPPING, ALL LOOSE HARDWARE REQUIRED, WILL BE KITTED AND BAGGED UNDER DEC P/N 11730-2-3.



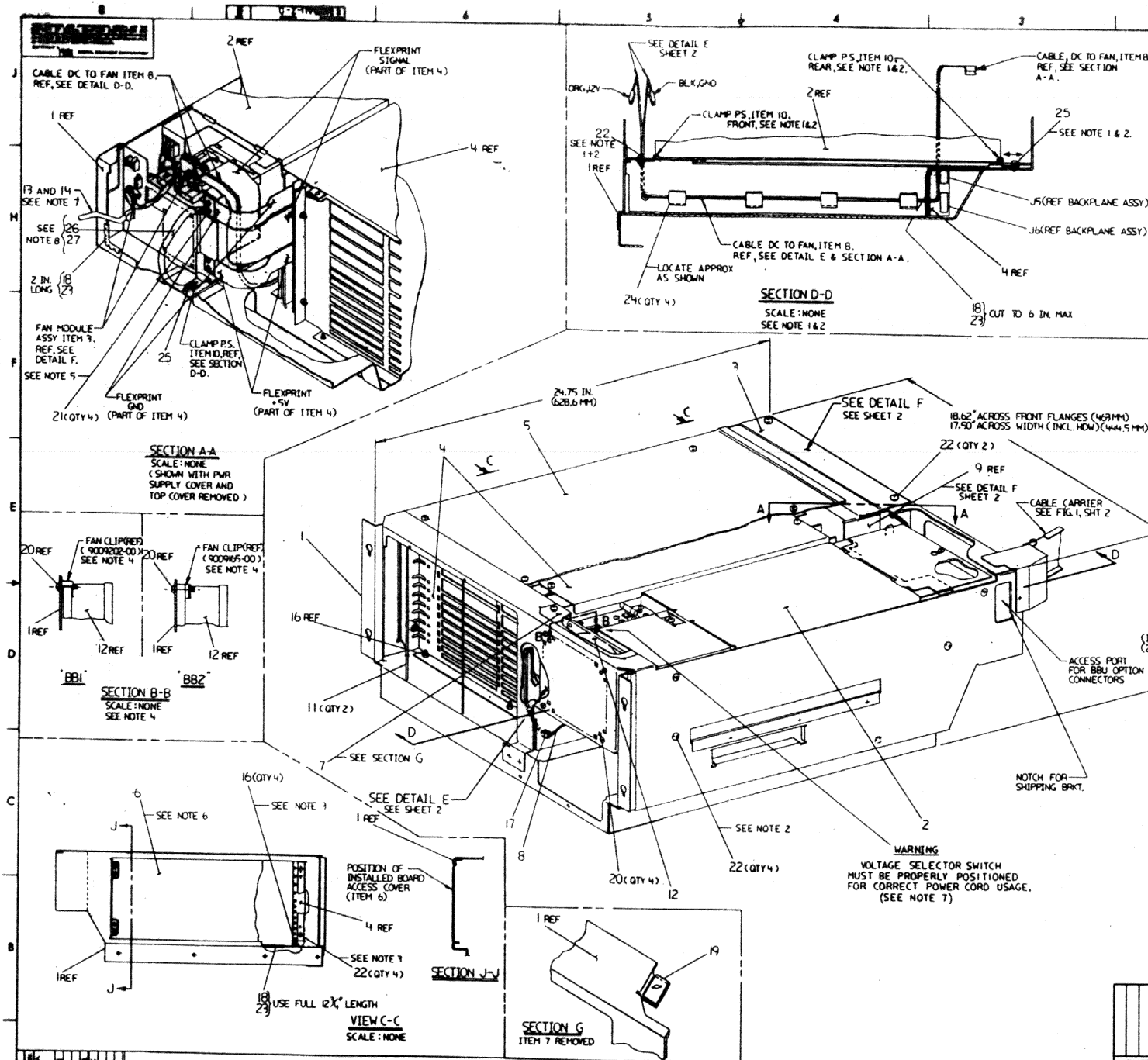












- NOTES:**
1. INSTALL ITEM 10 CLAMP PS QTY 2 LOOSELY TO ACCEPT POWER SUPPLY WHEN INSTALLED.
  2. **INSTALLATION OF POWER SUPPLY:** REMOVE FAN ACCESS COVER (ITEM 7) AND LOWER POWER SUPPLY (ITEM 2) INTO PLACE BY TILTING REAR END ONTO BRACKET AND SEATING FRONT END. NOW SLIDE POWER SUPPLY (SEE SECTION D-D) TO CATCH UNDER FRONT CLAMP AND SLIDE REAR CLAMP INTO POSITION. INSTALL 4 SCREWS (ITEM 22) INTO RIGHT HAND WALL AND TIGHTEN CLAMP SCREWS (2 PLACES). NOTE: CLAMP SCREWS REQUIRE ONLY 1 OR 4 TURNS, MAXIMUM, TO LOOSEN OR TIGHTEN FOR SLIDING ACTION. NOW CONNECT FLEXPRINTS (QTY 7) AND CONNECTORS AS SHOWN (SEE SECTION A-A).
  3. INSTALL CARD CAGE (ITEM 4) SQUARELY AND CENTERED. SCREW TIGHTENING PROGRESSION IS REQUIRED TO SEAT FIRMLY.
  4. ITEM 12, 2VDC FAN IS SUPPLIED BY VENDOR WITH MOUNTING CLIPS (QTY 4). IF SUPPLIED WITH U-CLIP TYPE MOUNTING CLIPS (REF. 900R202-00) REFER TO SECTION B-B (BB1) AND IF BOSS TYPE MOUNTING CLIPS (REF. 900R15-00) ARE SUPPLIED, REFER TO SECTION B-B (BB2).
  5. TORQUE OF 16 IN-LBS REQUIRED ON SCREWS (ITEM 21) MOUNTING FLEXPRINT CABLES.
  6. INSTALL BOARD ACCESS COVER (ITEM 6) WITH OFFSET LIP FITTING UNDER TOP OF SIDE WALL.
  7. BOTH POWER CORDS, 120V AND 240V, ARE SUPPLIED WITH ALL OEM CPU'S. PLEASE FOLLOW WARNING INSTRUCTIONS AND ALSO DISCARD UNUSED POWER CORD.
  8. SLIP ITEM 27 OVER ITEM 26 BEFORE ASSEMBLY OF ITEM 26.

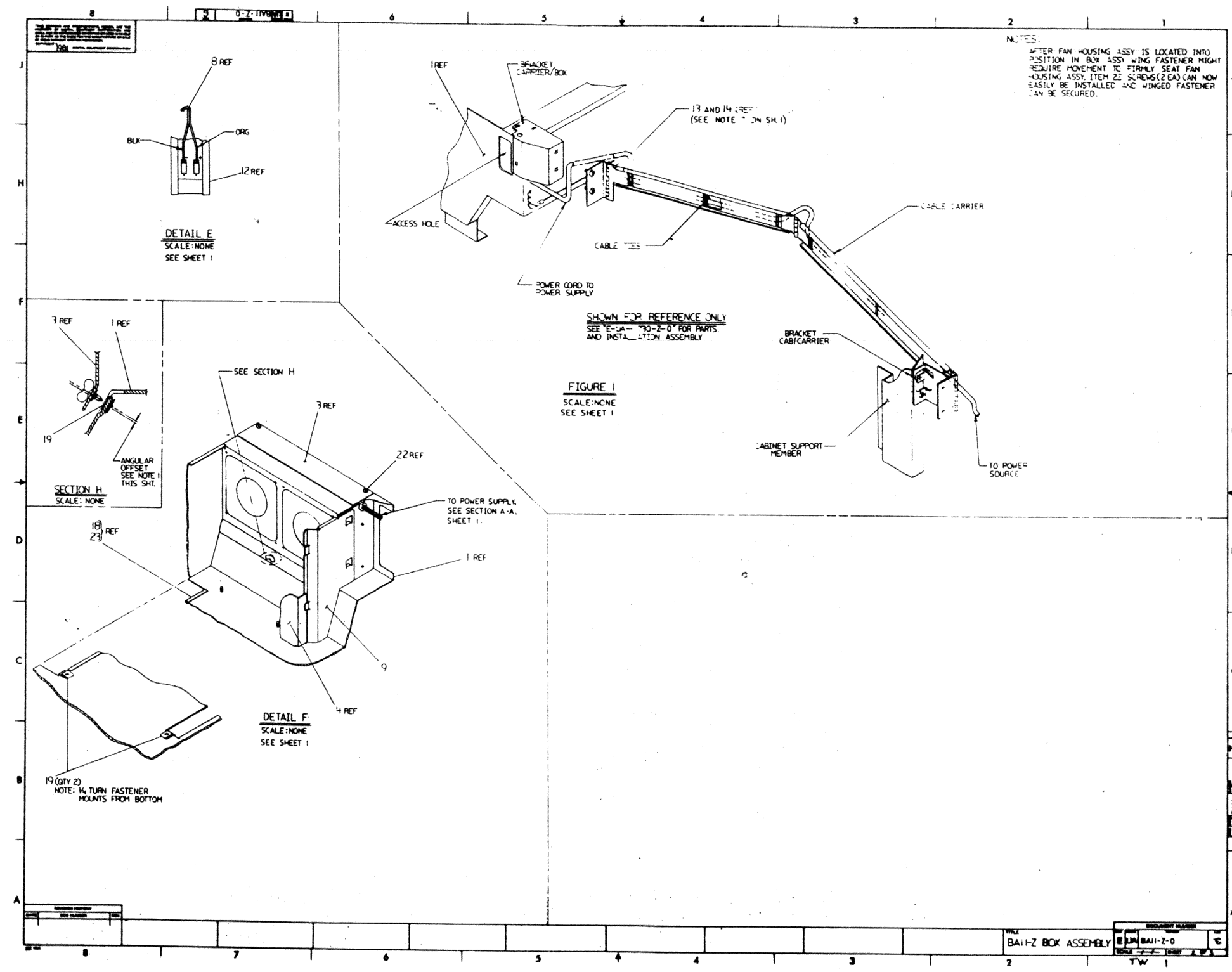
VAR	DESCRIPTION
BAI1-2A	10.5" Z-BOX, #7202-B POWER SUPPLY, 11730-Z CARD CAGE/BACKPLANE, 120V AND 240V POWER CORDS

CAUTION: OFF SHEETS PARTS LIST REFER TO K-PL-BAI1-Z-DBP. (Z1862A)

REV	DESCRIPTION	DATE	BY	CHKD
1	ISSUED			
2	REVISED			
3	REVISED			
4	REVISED			
5	REVISED			
6	REVISED			
7	REVISED			
8	REVISED			
9	REVISED			
10	REVISED			
11	REVISED			
12	REVISED			
13	REVISED			
14	REVISED			
15	REVISED			
16	REVISED			
17	REVISED			
18	REVISED			
19	REVISED			
20	REVISED			
21	REVISED			
22	REVISED			
23	REVISED			
24	REVISED			
25	REVISED			
26	REVISED			
27	REVISED			
28	REVISED			
29	REVISED			
30	REVISED			

SEE PARTS LIST





NOTES:  
 AFTER FAN HOUSING ASSY IS LOCATED INTO POSITION IN BOX ASSY WING FASTENER MIGHT REQUIRE MOVEMENT TO FIRMLY SEAT FAN HOUSING ASSY. ITEM 22 SCREWS (2 EA) CAN NOW EASILY BE INSTALLED AND WINGED FASTENER CAN BE SECURED.

SHOWN FOR REFERENCE ONLY  
 SEE E-1A-130-2-0 FOR PARTS AND INSTALLATION ASSEMBLY

FIGURE 1  
 SCALE: NONE  
 SEE SHEET 1

DETAIL E  
 SCALE: NONE  
 SEE SHEET 1

SECTION H  
 SCALE: NONE

DETAIL F  
 SCALE: NONE  
 SEE SHEET 1

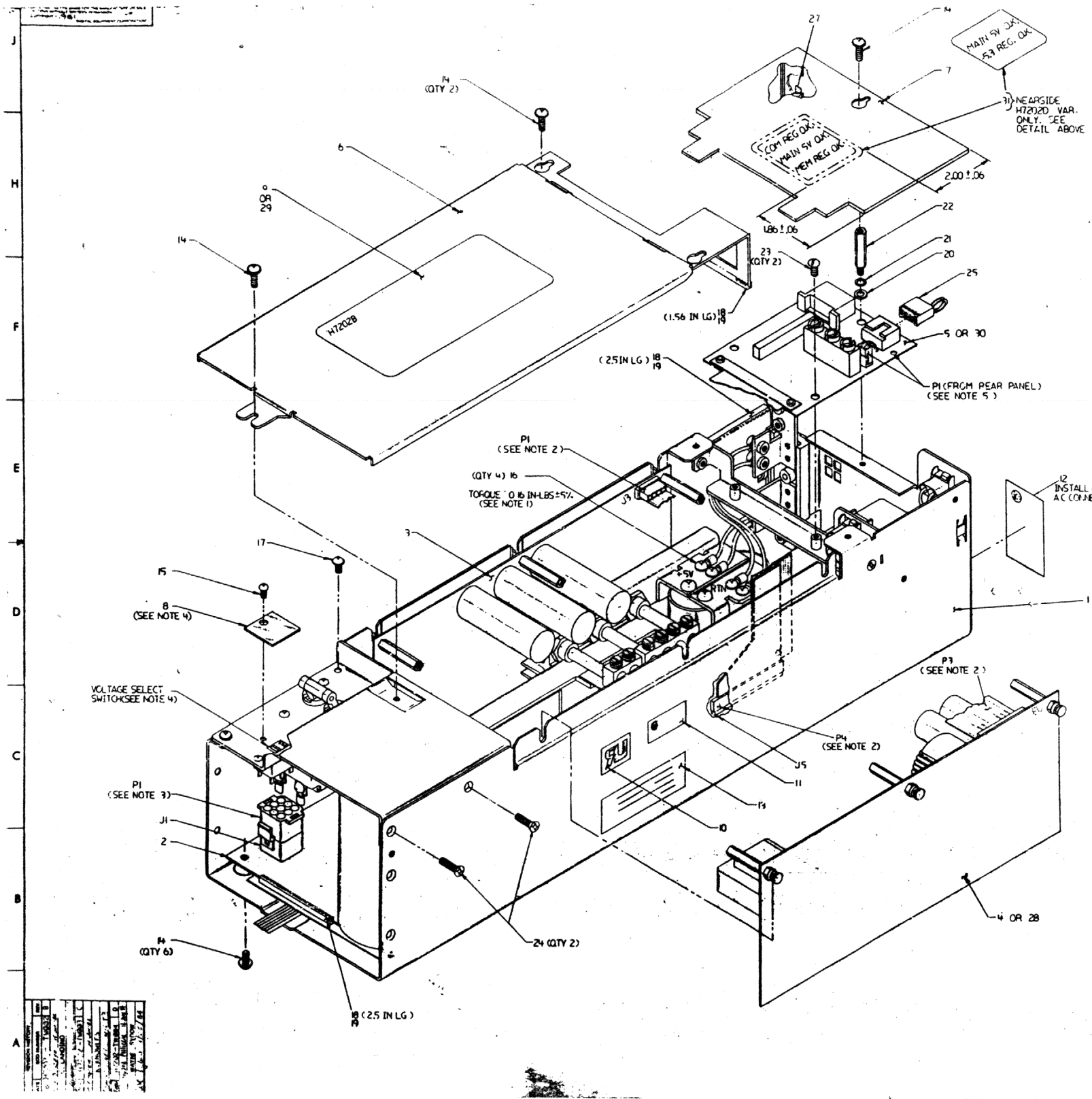
19 (QTY 2)  
 NOTE: 1/4 TURN FASTENER MOUNTS FROM BOTTOM

REV	DESCRIPTION	DATE
1	BA11-Z BOX ASSEMBLY	
2		
3		
4		
5		
6		
7		
8		









- NOTES:
- CONNECT RED LEADS TO 5V & BLACK LEADS TO RTN. AS SHOWN USING ITEM 6.
  - "B" VARIATION  
CONNECT P1 OF ITEM 5 TO J3 OF ITEM 3, P4 OF ITEM 5 TO J5 OF ITEM 2 AND P3 OF ITEM 5 TO J3 OF ITEM 4.
  - "D" VARIATION  
CONNECT P4 OF ITEM 30 TO J5 OF ITEM 2 AND P3 OF ITEM 30 TO J3 OF ITEM 28. P1 IS NOT USED IN THIS VARIATION.
  - CONNECT P1 OF ITEM 1 TO J1 OF ITEM 2.
  - BE SURE VOLTAGE SELECT SWITCH IS SET AT 220V BEFORE INSTALLING ITEM 8.
  - PLATE WIRES OF P1 AWAY FROM TESTER ALIGNMENT HOLE AS INDICATED.

CAUTION: OFF SHEET PARTS LIST SEE K-PL-H7202-0-DBP (2228D.PLS)

1	CHASSIS	1
2	TRANSFORMER	1
3	CAPACITOR	1
4	CAPACITOR	1
5	VOLTAGE SELECT SWITCH	1
6	WIRE	6
7	REAR PANEL	1
8	SCREW	4
9	SCREW	2
10	SCREW	2
11	SCREW	2
12	SCREW	2
13	SCREW	2
14	SCREW	2
15	SCREW	2
16	SCREW	4
17	SCREW	2
18	SCREW	2
19	SCREW	2
20	SCREW	2
21	SCREW	2
22	SCREW	2
23	SCREW	2
24	SCREW	2
25	SCREW	2
26	SCREW	2
27	SCREW	2

UNLESS OTHERWISE SPECIFIED DIMENSIONS ARE IN INCHES AND THE FOLLOWING TOLERANCES APPLY PER DIM 917-114		DRAWING NO.		PART NO.	
APPLICABLE DIMENSION SYSTEM		H7202-0-00		H7202-0-00	
APPLICABLE TOLERANCES		FRACTIONS		DECIMALS	
SIZE	TOLERANCE	SIZE	TOLERANCE	SIZE	TOLERANCE
0.001 - 0.005	±0.0005	0.005 - 0.010	±0.0005	0.010 - 0.020	±0.0005
0.010 - 0.020	±0.0005	0.020 - 0.030	±0.0005	0.030 - 0.040	±0.0005
0.040 - 0.060	±0.0005	0.060 - 0.080	±0.0005	0.080 - 0.100	±0.0005
0.100 - 0.150	±0.0005	0.150 - 0.200	±0.0005	0.200 - 0.300	±0.0005
0.300 - 0.400	±0.0005	0.400 - 0.500	±0.0005	0.500 - 0.750	±0.0005
0.750 - 1.000	±0.0005	1.000 - 1.500	±0.0005	1.500 - 2.000	±0.0005
2.000 - 3.000	±0.0005	3.000 - 4.000	±0.0005	4.000 - 6.000	±0.0005
6.000 - 10.000	±0.0005	10.000 - 15.000	±0.0005	15.000 - 25.000	±0.0005
25.000 - 40.000	±0.0005	40.000 - 60.000	±0.0005	60.000 - 100.000	±0.0005
100.000 - 150.000	±0.0005	150.000 - 250.000	±0.0005	250.000 - 500.000	±0.0005
500.000 - 1000.000	±0.0005	1000.000 - 2000.000	±0.0005	2000.000 - 5000.000	±0.0005
5000.000 - 10000.000	±0.0005	10000.000 - 20000.000	±0.0005	20000.000 - 50000.000	±0.0005
50000.000 - 100000.000	±0.0005	100000.000 - 200000.000	±0.0005	200000.000 - 500000.000	±0.0005
500000.000 - 1000000.000	±0.0005	1000000.000 - 2000000.000	±0.0005	2000000.000 - 5000000.000	±0.0005
5000000.000 - 10000000.000	±0.0005	10000000.000 - 20000000.000	±0.0005	20000000.000 - 50000000.000	±0.0005
50000000.000 - 100000000.000	±0.0005	100000000.000 - 200000000.000	±0.0005	200000000.000 - 500000000.000	±0.0005
500000000.000 - 1000000000.000	±0.0005	1000000000.000 - 2000000000.000	±0.0005	2000000000.000 - 5000000000.000	±0.0005
5000000000.000 - 10000000000.000	±0.0005	10000000000.000 - 20000000000.000	±0.0005	20000000000.000 - 50000000000.000	±0.0005
50000000000.000 - 100000000000.000	±0.0005	100000000000.000 - 200000000000.000	±0.0005	200000000000.000 - 500000000000.000	±0.0005
500000000000.000 - 1000000000000.000	±0.0005	1000000000000.000 - 2000000000000.000	±0.0005	2000000000000.000 - 5000000000000.000	±0.0005
5000000000000.000 - 10000000000000.000	±0.0005	10000000000000.000 - 20000000000000.000	±0.0005	20000000000000.000 - 50000000000000.000	±0.0005
50000000000000.000 - 100000000000000.000	±0.0005	100000000000000.000 - 200000000000000.000	±0.0005	200000000000000.000 - 500000000000000.000	±0.0005
500000000000000.000 - 1000000000000000.000	±0.0005	1000000000000000.000 - 2000000000000000.000	±0.0005	2000000000000000.000 - 5000000000000000.000	±0.0005
5000000000000000.000 - 10000000000000000.000	±0.0005	10000000000000000.000 - 20000000000000000.000	±0.0005	20000000000000000.000 - 50000000000000000.000	±0.0005
50000000000000000.000 - 100000000000000000.000	±0.0005	100000000000000000.000 - 200000000000000000.000	±0.0005	200000000000000000.000 - 500000000000000000.000	±0.0005
500000000000000000.000 - 1000000000000000000.000	±0.0005	1000000000000000000.000 - 2000000000000000000.000	±0.0005	2000000000000000000.000 - 5000000000000000000.000	±0.0005
5000000000000000000.000 - 10000000000000000000.000	±0.0005	10000000000000000000.000 - 20000000000000000000.000	±0.0005	20000000000000000000.000 - 50000000000000000000.000	±0.0005
50000000000000000000.000 - 100000000000000000000.000	±0.0005	100000000000000000000.000 - 200000000000000000000.000	±0.0005	200000000000000000000.000 - 500000000000000000000.000	±0.0005
500000000000000000000.000 - 1000000000000000000000.000	±0.0005	1000000000000000000000.000 - 2000000000000000000000.000	±0.0005	2000000000000000000000.000 - 5000000000000000000000.000	±0.0005
5000000000000000000000.000 - 10000000000000000000000.000	±0.0005	10000000000000000000000.000 - 20000000000000000000000.000	±0.0005	20000000000000000000000.000 - 50000000000000000000000.000	±0.0005
50000000000000000000000.000 - 100000000000000000000000.000	±0.0005	100000000000000000000000.000 - 200000000000000000000000.000	±0.0005	200000000000000000000000.000 - 500000000000000000000000.000	±0.0005
500000000000000000000000.000 - 1000000000000000000000000.000	±0.0005	1000000000000000000000000.000 - 2000000000000000000000000.000	±0.0005	2000000000000000000000000.000 - 5000000000000000000000000.000	±0.0005
5000000000000000000000000.000 - 10000000000000000000000000.000	±0.0005	10000000000000000000000000.000 - 20000000000000000000000000.000	±0.0005	20000000000000000000000000.000 - 50000000000000000000000000.000	±0.0005
50000000000000000000000000.000 - 100000000000000000000000000.000	±0.0005	100000000000000000000000000.000 - 200000000000000000000000000.000	±0.0005	200000000000000000000000000.000 - 500000000000000000000000000.000	±0.0005
500000000000000000000000000.000 - 1000000000000000000000000000.000	±0.0005	1000000000000000000000000000.000 - 2000000000000000000000000000.000	±0.0005	2000000000000000000000000000.000 - 5000000000000000000000000000.000	±0.0005
5000000000000000000000000000.000 - 10000000000000000000000000000.000	±0.0005	10000000000000000000000000000.000 - 20000000000000000000000000000.000	±0.0005	20000000000000000000000000000.000 - 50000000000000000000000000000.000	±0.0005
50000000000000000000000000000.000 - 100000000000000000000000000000.000	±0.0005	100000000000000000000000000000.000 - 200000000000000000000000000000.000	±0.0005	200000000000000000000000000000.000 - 500000000000000000000000000000.000	±0.0005
500000000000000000000000000000.000 - 1000000000000000000000000000000.000	±0.0005	1000000000000000000000000000000.000 - 2000000000000000000000000000000.000	±0.0005	2000000000000000000000000000000.000 - 5000000000000000000000000000000.000	±0.0005
5000000000000000000000000000000.000 - 10000000000000000000000000000000.000	±0.0005	10000000000000000000000000000000.000 - 20000000000000000000000000000000.000	±0.0005	20000000000000000000000000000000.000 - 50000000000000000000000000000000.000	±0.0005
50000000000000000000000000000000.000 - 100000000000000000000000000000000.000	±0.0005	100000000000000000000000000000000.000 - 200000000000000000000000000000000.000	±0.0005	200000000000000000000000000000000.000 - 500000000000000000000000000000000.000	±0.0005
500000000000000000000000000000000.000 - 1000000000000000000000000000000000.000	±0.0005	1000000000000000000000000000000000.000 - 2000000000000000000000000000000000.000	±0.0005	2000000000000000000000000000000000.000 - 5000000000000000000000000000000000.000	±0.0005
5000000000000000000000000000000000.000 - 10000000000000000000000000000000000.000	±0.0005	10000000000000000000000000000000000.000 - 20000000000000000000000000000000000.000	±0.0005	20000000000000000000000000000000000.000 - 50000000000000000000000000000000000.000	±0.0005
50000000000000000000000000000000000.000 - 100000000000000000000000000000000000.000	±0.0005	100000000000000000000000000000000000.000 - 200000000000000000000000000000000000.000	±0.0005	200000000000000000000000000000000000.000 - 500000000000000000000000000000000000.000	±0.0005
500000000000000000000000000000000000.000 - 1000000000000000000000000000000000000.000	±0.0005	1000000000000000000000000000000000000.000 - 2000000000000000000000000000000000000.000	±0.0005	2000000000000000000000000000000000000.000 - 5000000000000000000000000000000000000.000	±0.0005
5000000000000000000000000000000000000.000 - 10000000000000000000000000000000000000.000	±0.0005	10000000000000000000000000000000000000.000 - 20000000000000000000000000000000000000.000	±0.0005	20000000000000000000000000000000000000.000 - 50000000000000000000000000000000000000.000	±0.0005
50000000000000000000000000000000000000.000 - 100000000000000000000000000000000000000.000	±0.0005	100000000000000000000000000000000000000.000 - 200000000000000000000000000000000000000.000	±0.0005	200000000000000000000000000000000000000.000 - 500000000000000000000000000000000000000.000	±0.0005
500000000000000000000000000000000000000.000 - 1000000000000000000000000000000000000000.000	±0.0005	1000000000000000000000000000000000000000.000 - 2000000000000000000000000000000000000000.000	±0.0005	2000000000000000000000000000000000000000.000 - 5000000000000000000000000000000000000000.000	±0.0005
5000000000000000000000000000000000000000.000 - 100.000	±0.0005	100.000 - 200.000	±0.0005	200.000 - 500.000	±0.0005
500.000 - 1000.000	±0.0005	1000.000 - 2000.000	±0.0005	2000.000 - 5000.000	±0.0005
5000.000 - 100.000	±0.0005	100.000 - 200.000	±0.0005	200.000 - 500.000	±0.0005
500.000 - 1000.000	±0.0005	1000.000 - 2000.000	±0.0005	2000.000 - 50000000	







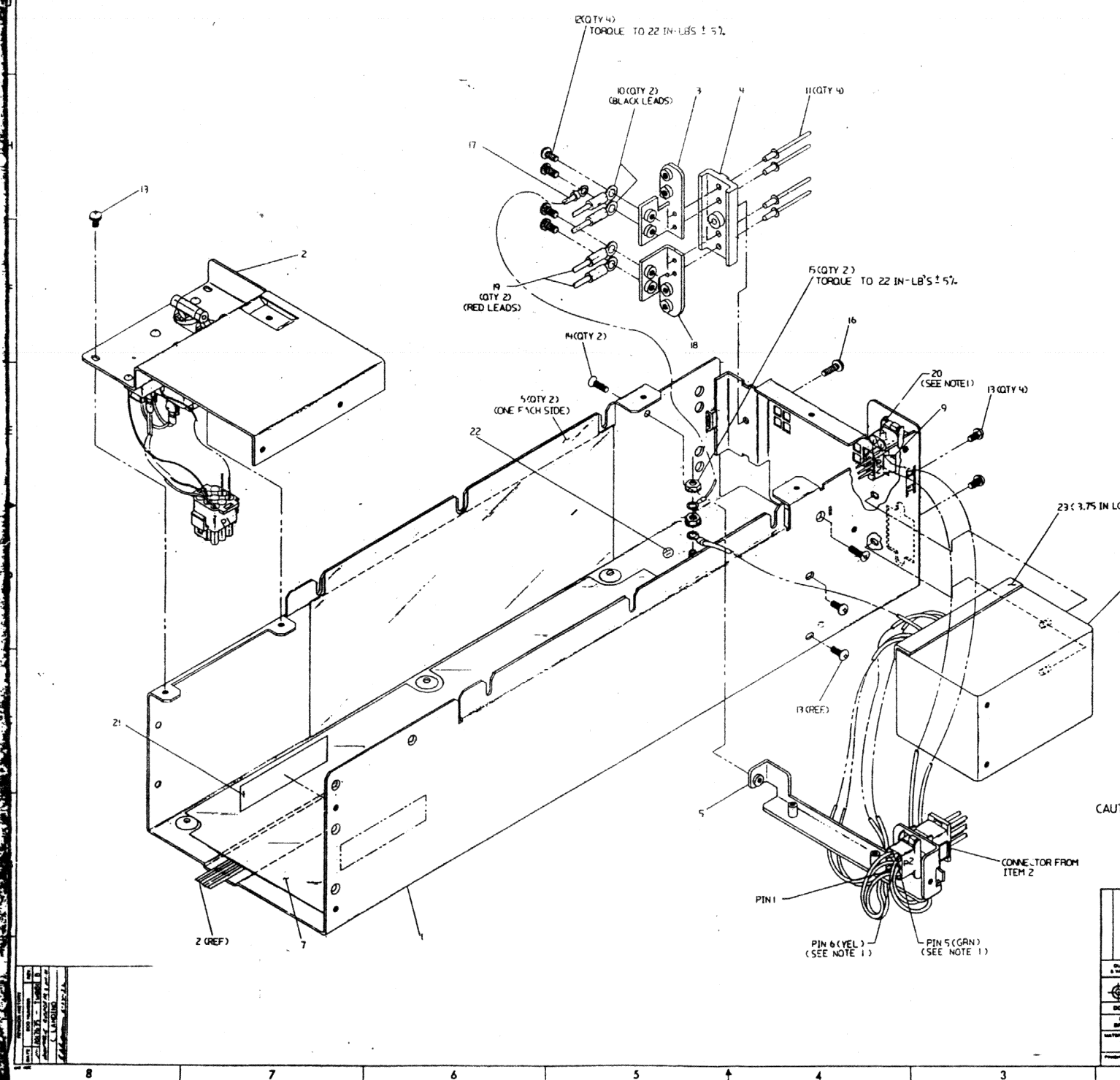






8 7017635-001

NOTES:  
 1. INSTALL YEL LEAD (POS. NO. 1) OF ITEM 20 (P1) INTO POS. NO. 6 OF P2 FROM ITEM NO. 8, INSTALL GREEN LEAD (POS. NO. 2) OF ITEM 20 (P1) INTO POS. NO. 5 OF P2 FROM ITEM 8.

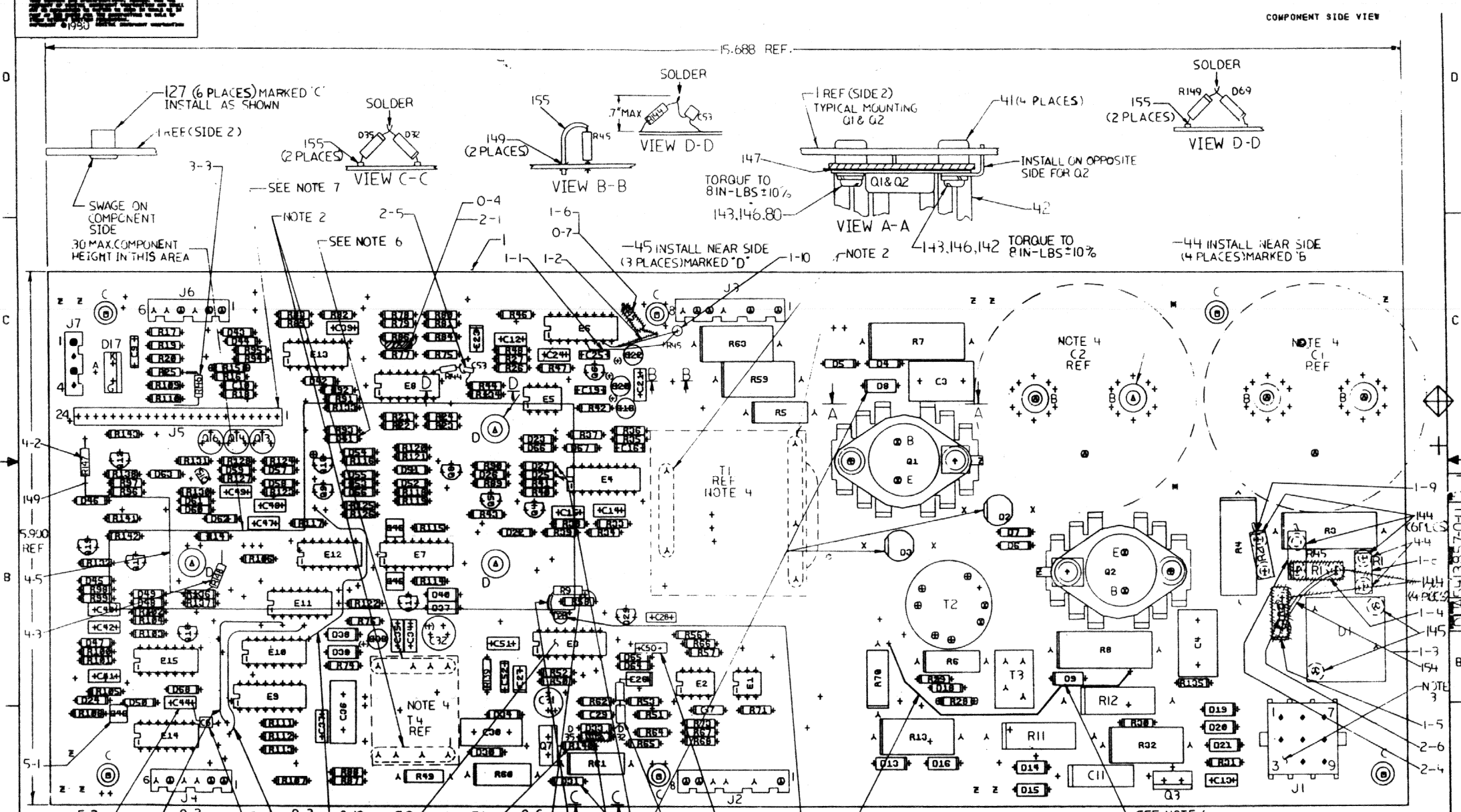


CAUTION: OFF SHEET PARTS LIST SEE K-PL-7017635-0-D6P

8 7 6 5 4 3 2 1

DESCRIPTION	QUANTITY	REVISION	DATE	BY	CHKD	APP'D
UNLESS OTHERWISE SPECIFIED DIMENSIONS ARE IN INCHES AND THE FOLLOWING TOLERANCES APPLY (PER DEC 87D 118)						
FRONT PANEL	1					
REAR PANEL	1					
CONNECTOR	1					
LEADS	1					
SCREWS	1					
FASTENERS	1					
OTHER	1					
QUANTITY & MATERIAL						
DESCRIPTION	4720E BOX ASSY					
DATE	7/2/70					
BY	SLA					
CHKD	SLA					
APP'D	SLA					
SECURITY NUMBER	7017635-0-01					
FORM	7017635-0-0					





NOTES: 1. U/I APPROVAL REQUIRED.  
 2. MASK HOLES PRIOR TO WAVE SOLDER.  
 3. HILL PIN NO. 5 FROM J1 PINNOS FROM B PRIOR TO INSERTION.  
 4. C1, C2, T1 & T4 TO BE INSERTED AT NEXT HIGHER ASSY. LEVEL.  
 5. RAISE BUILDING BOLTS TO GO OFF PCB BOARD.

STEP	Y	RCIS	STEP	T	TIME
REPORT	X	RCIS	STEP	II	TIME

CHANGE NO.	BY	DATE	DESCRIPTION
1			
2			
3			
4			
5			
6			
7			
8			
9			
10			
11			
12			
13			
14			
15			
16			
17			
18			
19			
20			

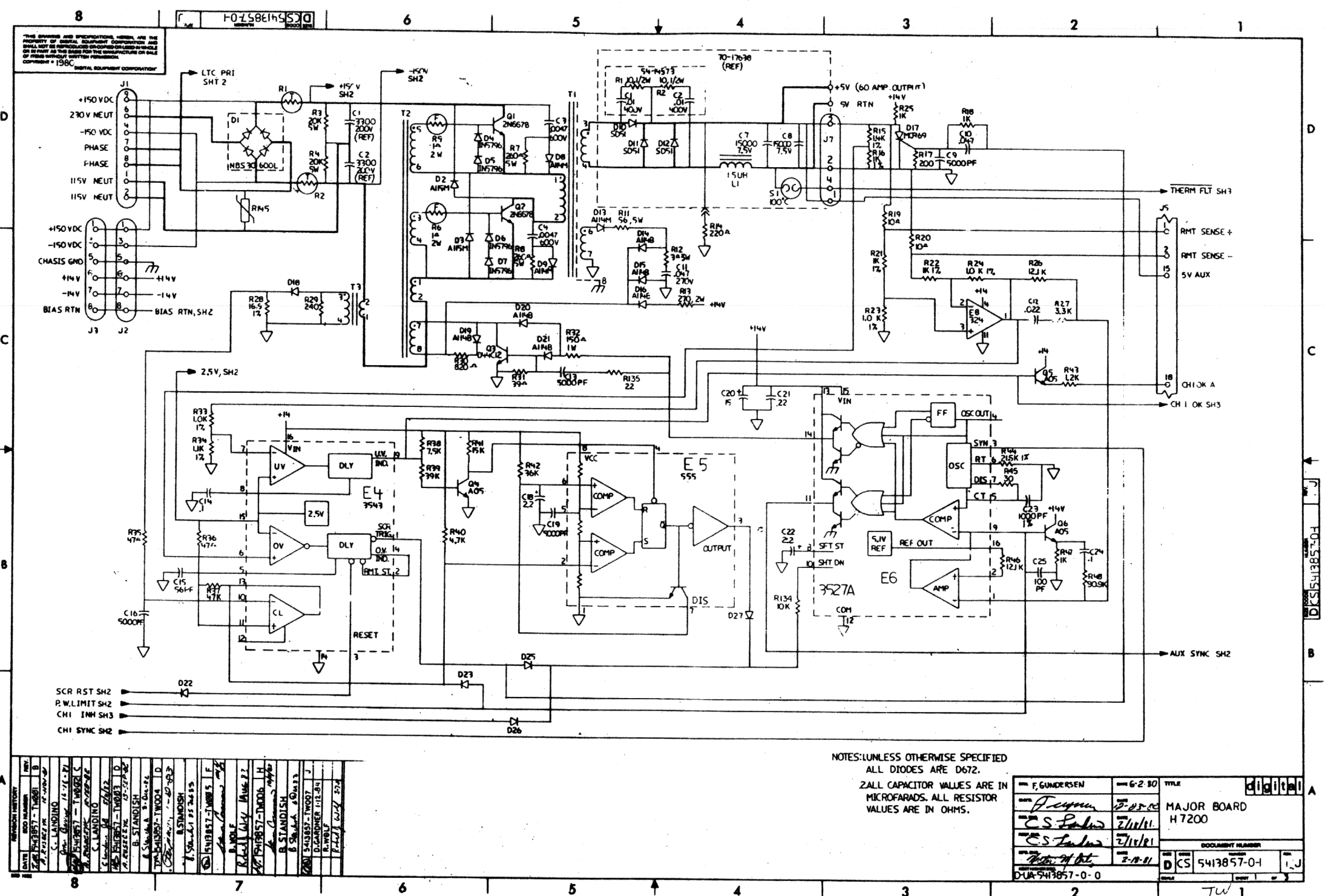
6. DIODES D2, D3, D8, D9, D25, D27, D31, AND D41 ARE OPPOSITE ORIENTATION TO ALL OTHER DIODES.  
 Z CUT PIN 5 FROM J5 (FOR KEY). (CONT' SHT 2)

ETCH REV.	

SIGNATURES	DATE	digital
DRN: [Signature]	12-22	
CHK: [Signature]	12-22	TITLE
TECH. ENG.: [Signature]	12/22	H7200 MAJOR BD.
PROJ. ENG.: [Signature]	12/22	SIZE CODE
PROG.: [Signature]	12-22	NUMBER
SCALE 2/1		D UA5413857-0-01
SHT. 1 OF 3		REV
NEXT NUMBER ASSY. B-D0-5413857-0		





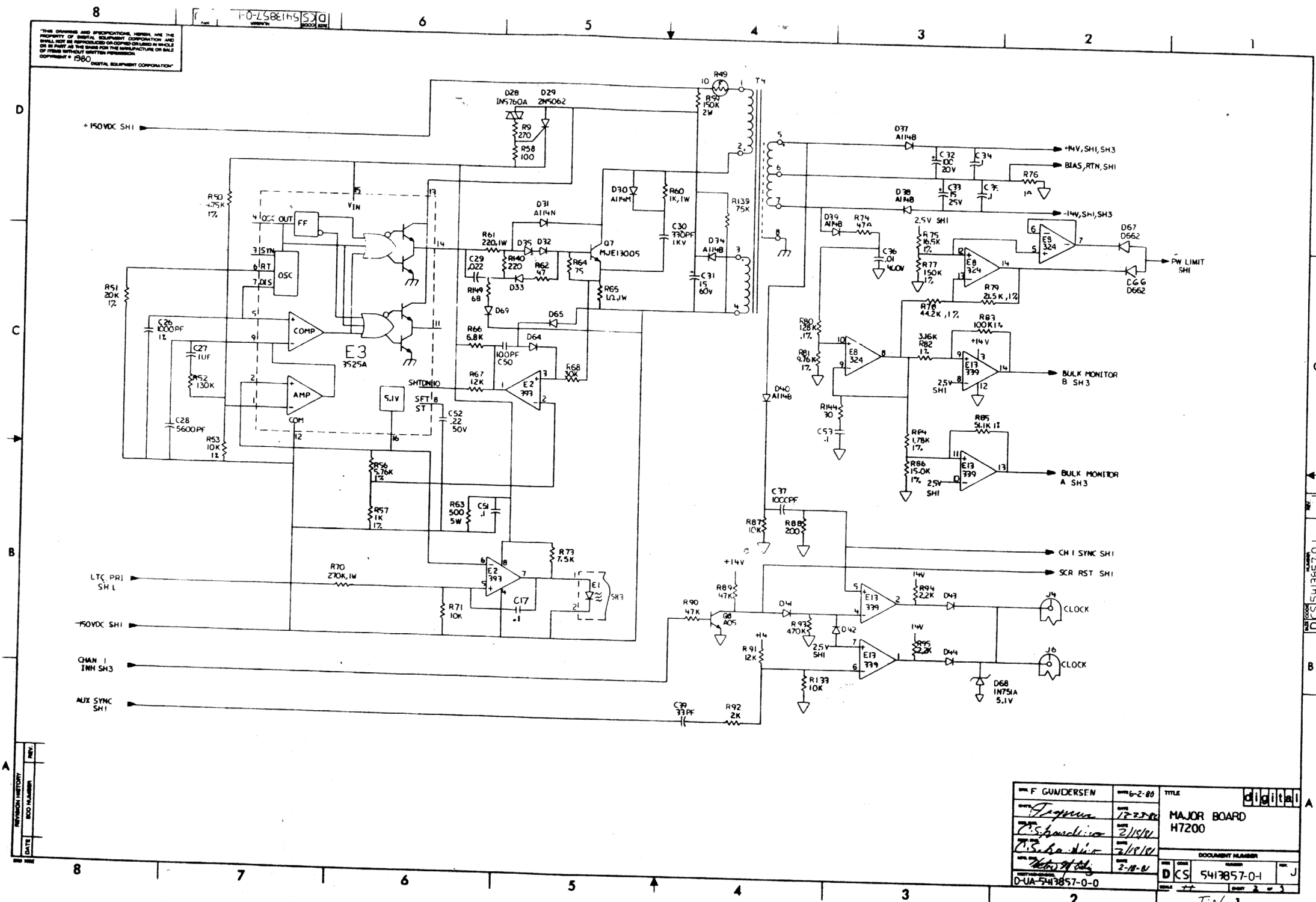


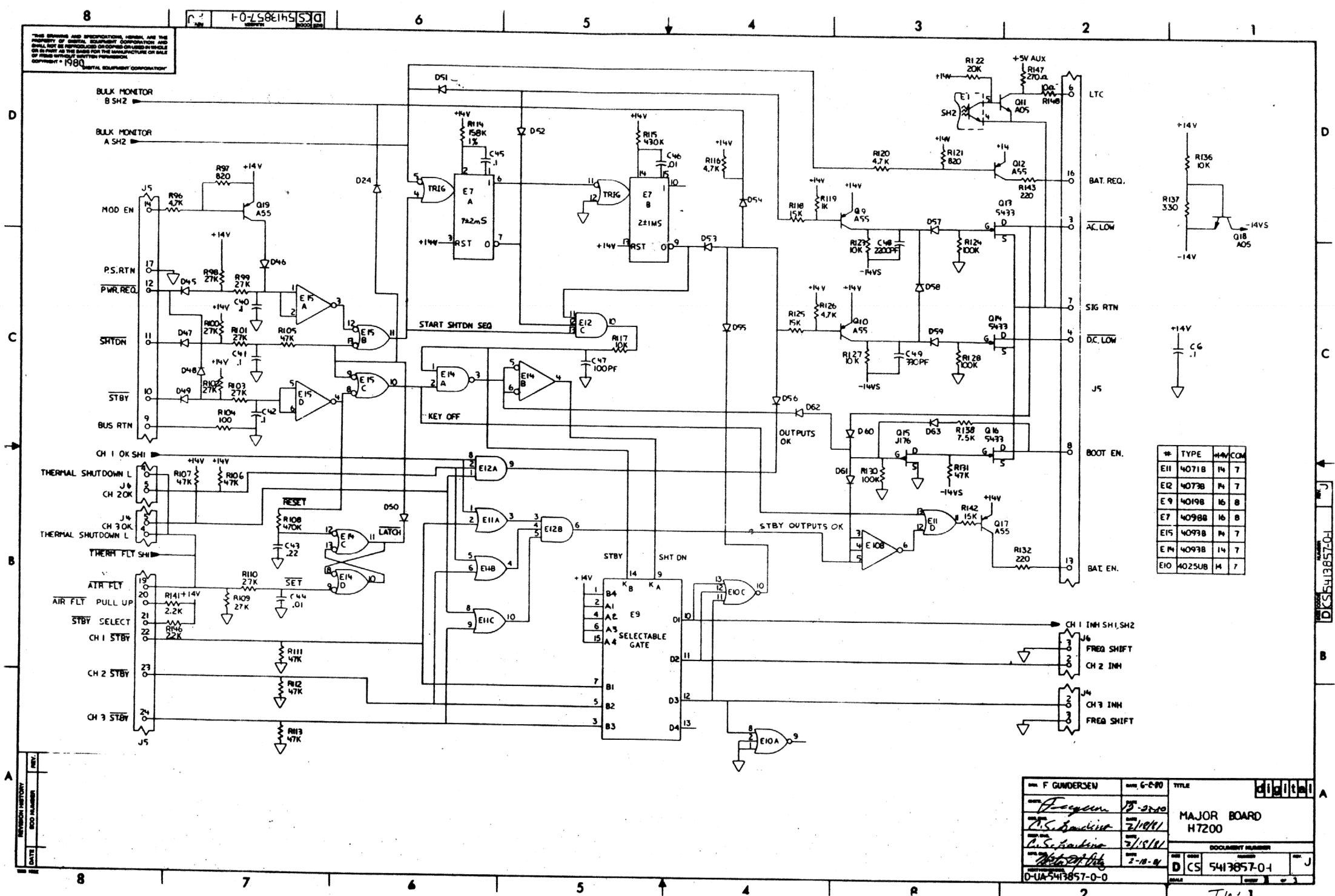
REV.	DATE	BY	CHKD	DESCRIPTION
1	11/11/67	F. GUNDERSEN	F. GUNDERSEN	INITIAL DESIGN
2	11/11/67	F. GUNDERSEN	F. GUNDERSEN	REVISED TO ADD THERM FLT SH3
3	11/11/67	F. GUNDERSEN	F. GUNDERSEN	REVISED TO ADD RMT SENSE +
4	11/11/67	F. GUNDERSEN	F. GUNDERSEN	REVISED TO ADD RMT SENSE -
5	11/11/67	F. GUNDERSEN	F. GUNDERSEN	REVISED TO ADD 5V AUX
6	11/11/67	F. GUNDERSEN	F. GUNDERSEN	REVISED TO ADD CHI OK A
7	11/11/67	F. GUNDERSEN	F. GUNDERSEN	REVISED TO ADD CHI OK SH3
8	11/11/67	F. GUNDERSEN	F. GUNDERSEN	REVISED TO ADD AUX SYNC SH2

NOTES: UNLESS OTHERWISE SPECIFIED  
 ALL DIODES ARE D672.  
 ALL CAPACITOR VALUES ARE IN MICROFARADS. ALL RESISTOR VALUES ARE IN OHMS.

DESIGNED BY	F. GUNDERSEN	DATE	6-2-67	TITLE	MAJOR BOARD H7200
CHECKED BY	F. GUNDERSEN	DATE	7/11/67	DOCUMENT NUMBER	CS 5413857-0-1
APPROVED BY	F. GUNDERSEN	DATE	7/11/67	REV	1
DATE	11/11/67	BY	F. GUNDERSEN	CHKD	F. GUNDERSEN

TW 1



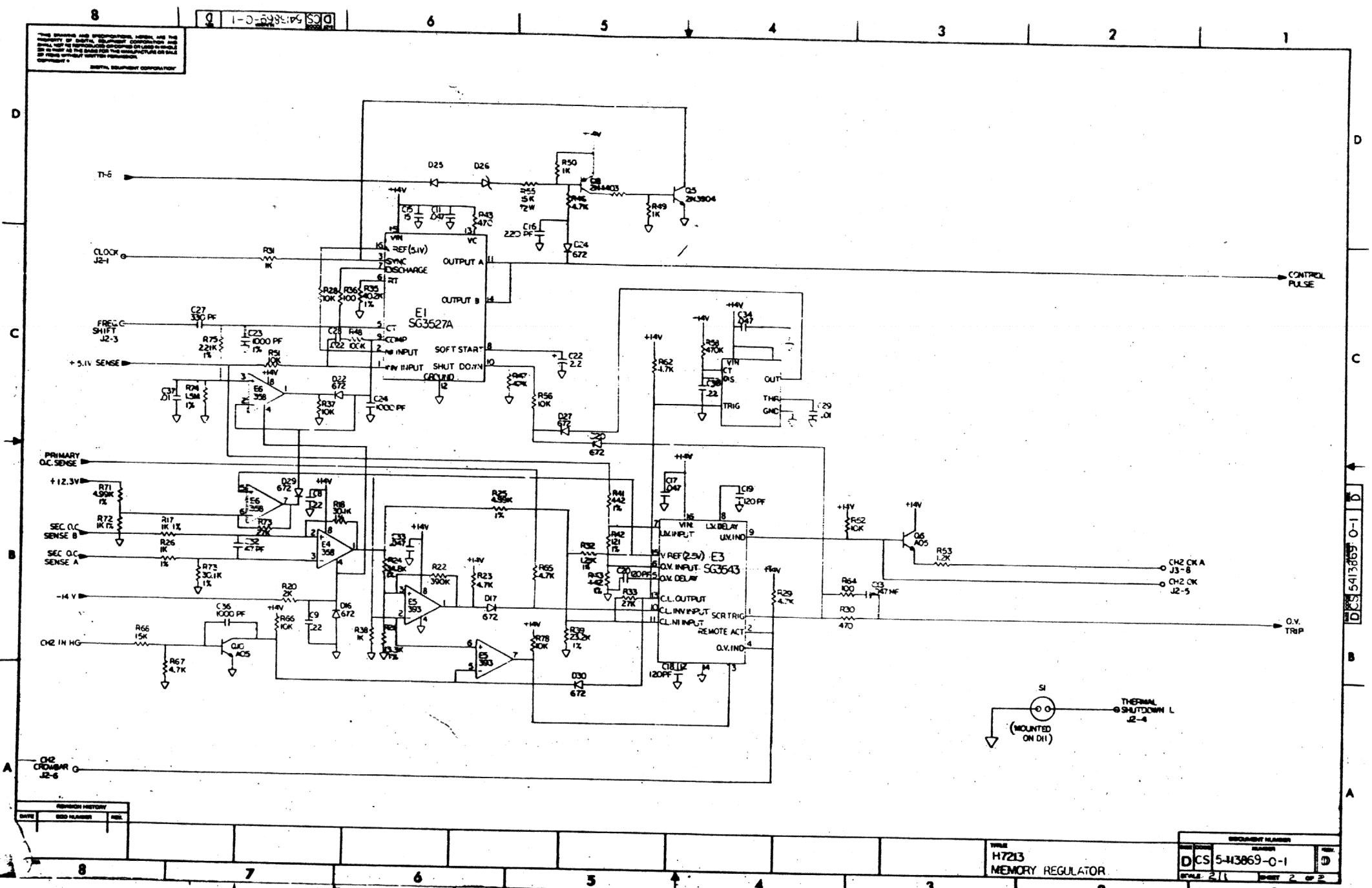


DESIGNED BY: F. GUNDERSEN	DATE: 6-2-90	TITLE: MAJOR BOARD H700
DRAWN BY: [Signature]	DATE: 7/19/91	DOCUMENT NUMBER: DCS 5413857-0-1
CHECKED BY: [Signature]	DATE: 7/18/91	REV: 1
APPROVED BY: [Signature]	DATE: 2-18-9	REV: 1





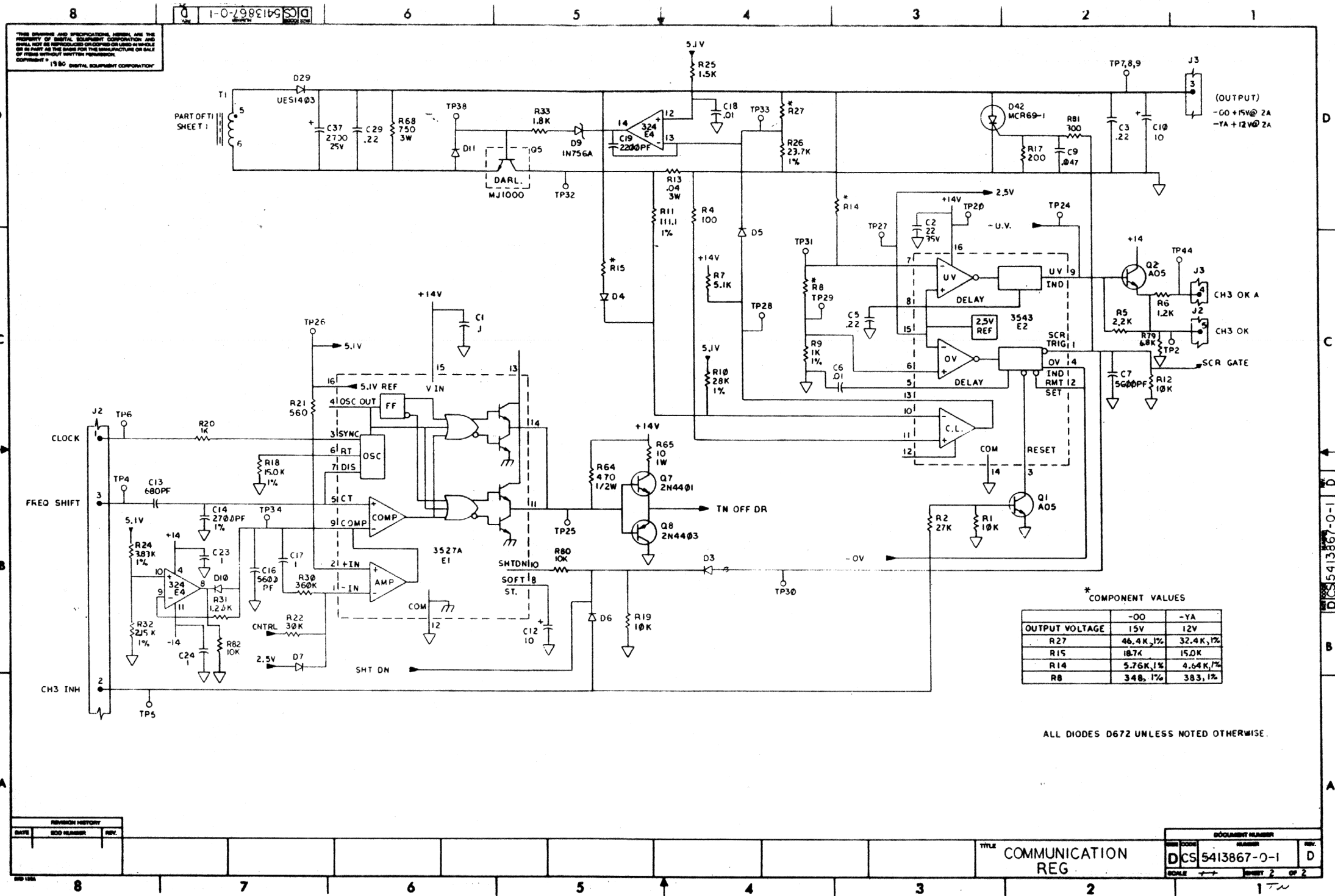




TITLE: H7213 MEMORY REGULATOR  
 DRAWING NUMBER: DCS 5-43869-0-1  
 SHEET: 2/1 OF 2







THIS DRAWING AND SPECIFICATIONS ARE THE PROPERTY OF SPITAL EQUIPMENT CORPORATION AND SHALL NOT BE REPRODUCED OR COPIED IN WHOLE OR IN PART OR FOR ANY PURPOSE WITHOUT THE WRITTEN PERMISSION OF SPITAL EQUIPMENT CORPORATION. COPYRIGHT © 1980 SPITAL EQUIPMENT CORPORATION.

\* COMPONENT VALUES

OUTPUT VOLTAGE	-00	-YA
R27	46.4K, 1%	32.4K, 1%
R15	18.7K	15.0K
R14	5.76K, 1%	4.64K, 1%
R8	348, 1%	383, 1%

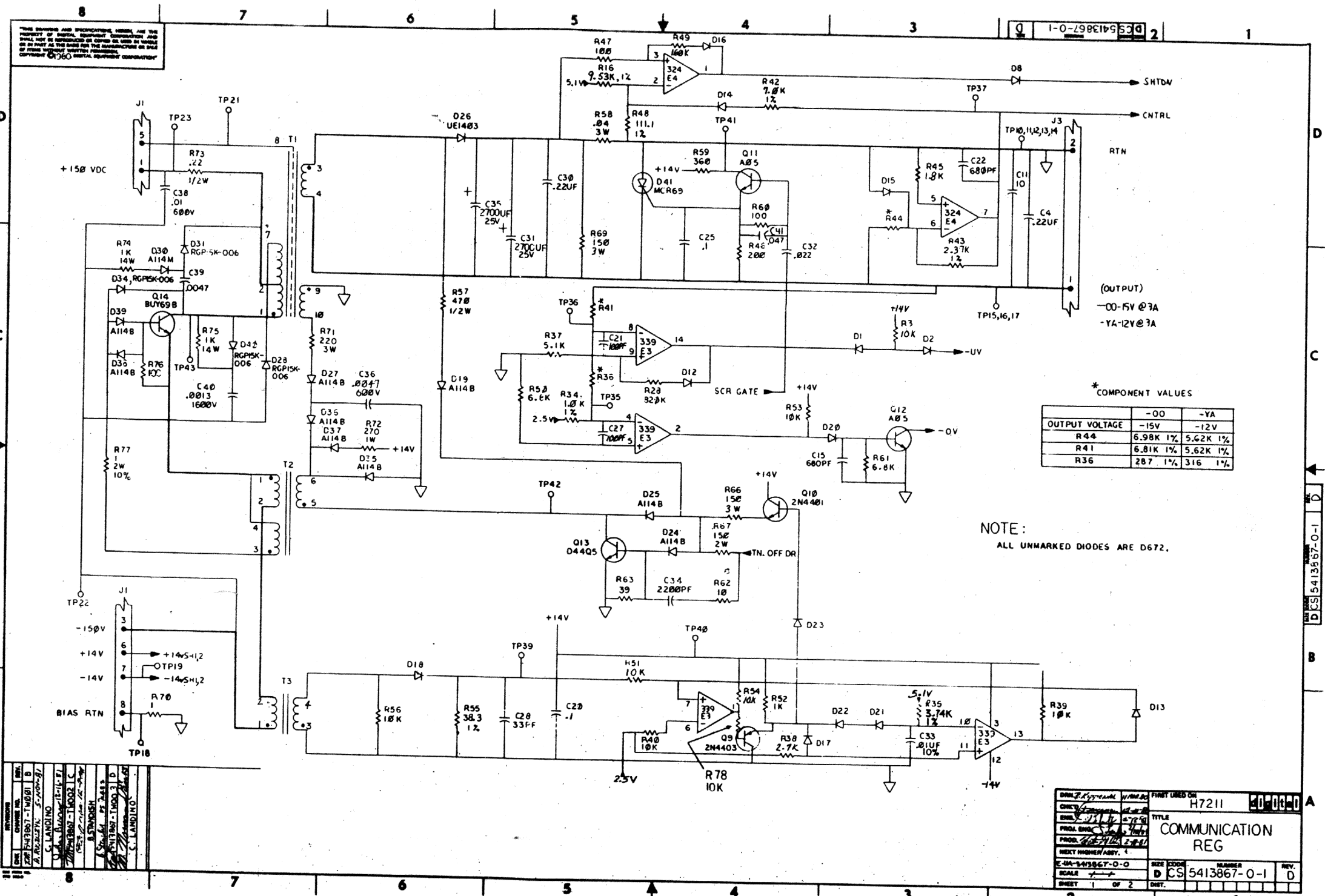
ALL DIODES D672 UNLESS NOTED OTHERWISE.

REVISION HISTORY

DATE	ECO NUMBER	REV.

DOCUMENT NUMBER

TITLE	COMMUNICATION REG
DOC CODE	DCS 5413867-0-1
REV.	D
SCALE	SHEET 2 OF 2



1-0-0980149532

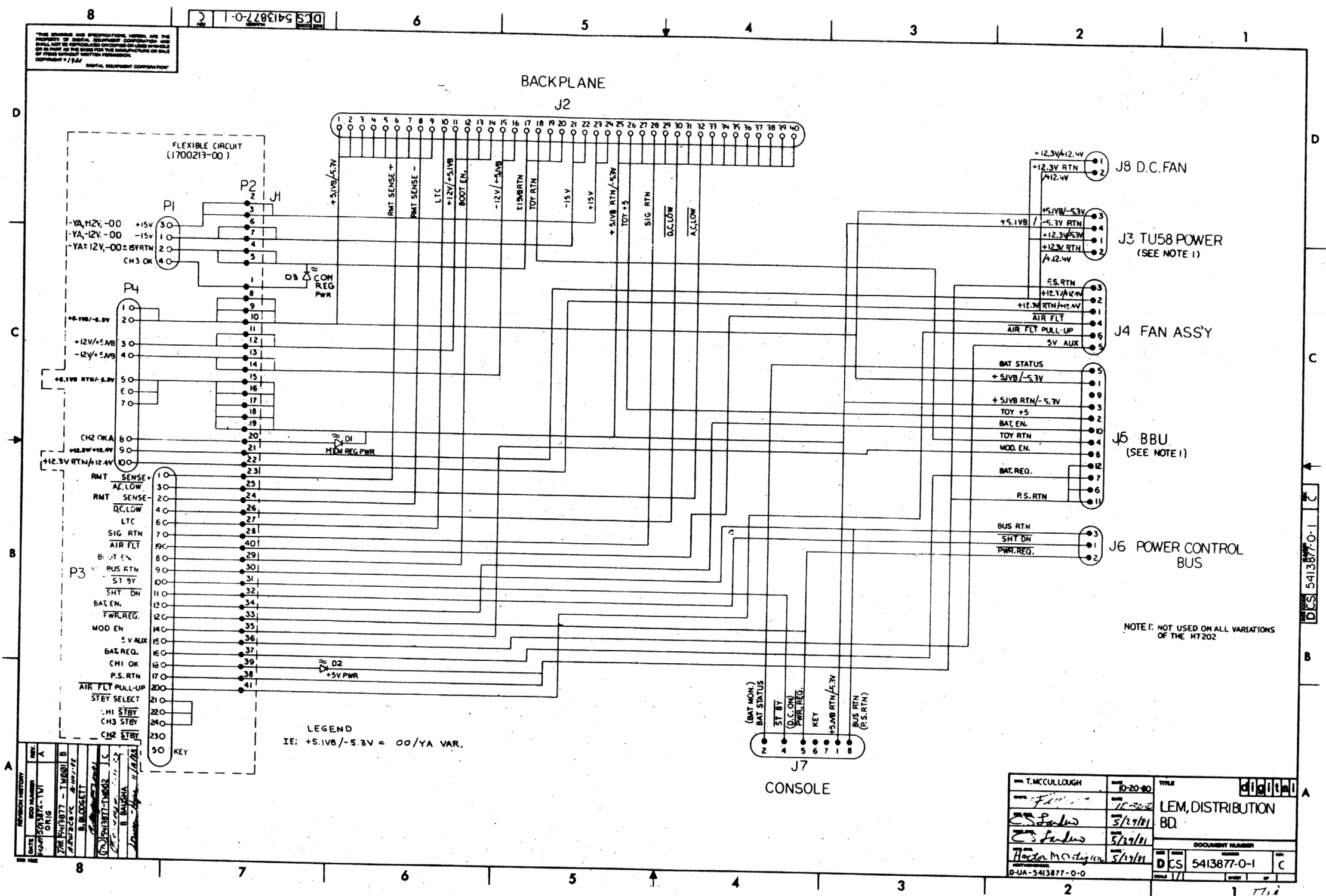
\* COMPONENT VALUES

OUTPUT VOLTAGE	-00	-YA
R44	6.98K 1%	5.62K 1%
R41	6.81K 1%	5.62K 1%
R36	287 1%	316 1%

NOTE:  
ALL UNMARKED DIODES ARE D672.

REV. 1	DATE	BY	CHKD.
2	11-10-67	C. LANDINO	C. LANDINO
3	11-10-67	C. LANDINO	C. LANDINO
4	11-10-67	C. LANDINO	C. LANDINO
5	11-10-67	C. LANDINO	C. LANDINO
6	11-10-67	C. LANDINO	C. LANDINO
7	11-10-67	C. LANDINO	C. LANDINO
8	11-10-67	C. LANDINO	C. LANDINO

DESIGNED BY	DATE	REV.	1
DRN. 2/1/68	11-10-67	H7211	21-0000
TITLE			
COMMUNICATION REG			
SCALE			
D CS 5413867-0-1			
SHEET 1 OF 2			



8

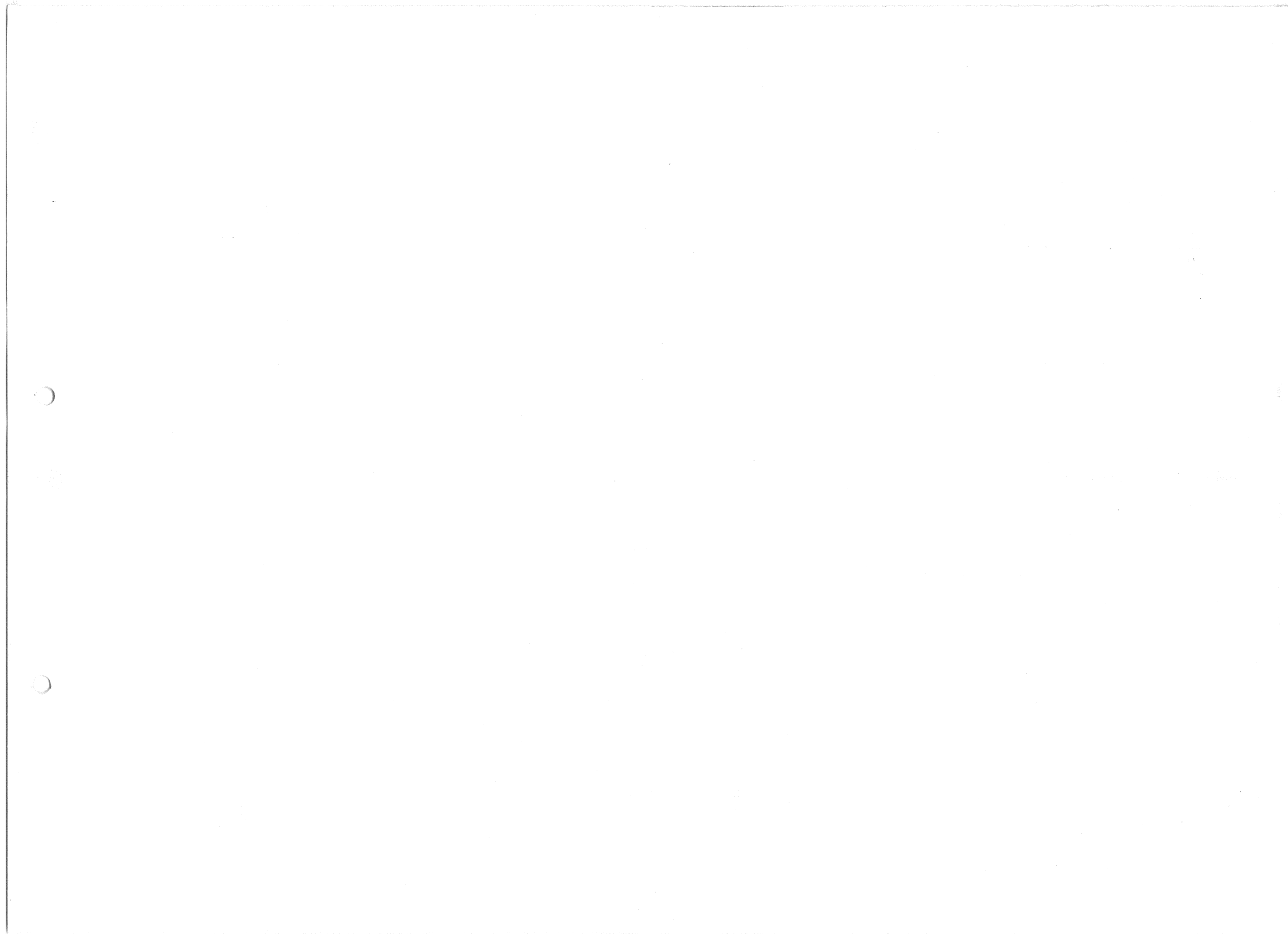
DCS 5413877-0-1

THIS DRAWING AND SPECIFICATIONS HEREIN ARE THE PROPERTY OF DIGITAL EQUIPMENT CORPORATION AND SHALL NOT BE REPRODUCED OR COPIED IN ANY MANNER OR FOR ANY PURPOSE WITHOUT THE WRITTEN PERMISSION OF DIGITAL EQUIPMENT CORPORATION.

DIGITAL EQUIPMENT CORPORATION

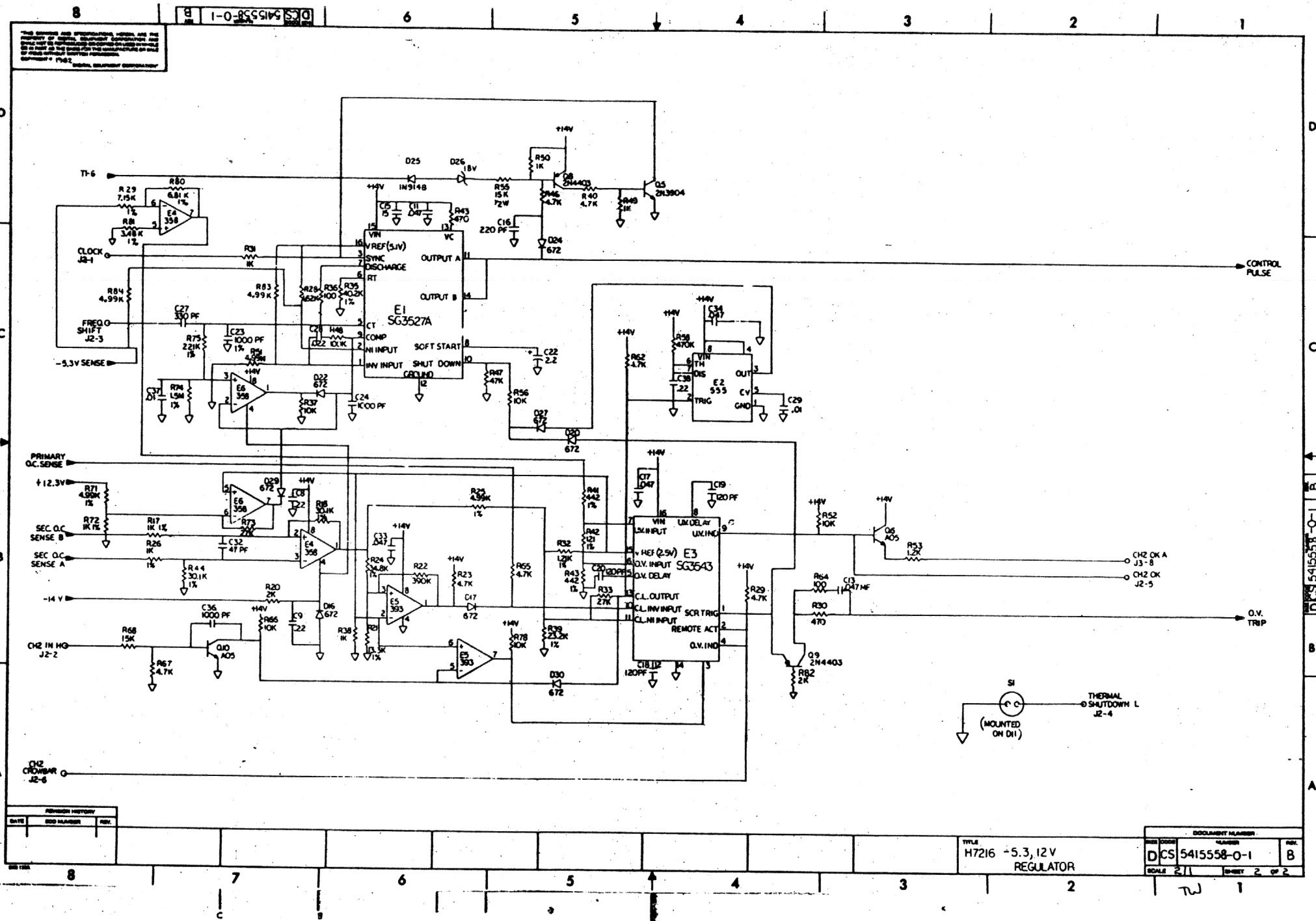
REV.	DATE	DESCRIPTION
1	5/12/81	INITIAL
2	5/12/81	REVISED
3	5/12/81	REVISED
4	5/12/81	REVISED
5	5/12/81	REVISED
6	5/12/81	REVISED
7	5/12/81	REVISED
8	5/12/81	REVISED

DESIGNED BY T. McCullough	DATE 10-20-80	TITLE LEM, DISTRIBUTION BD.
CHECKED BY C. S. Poulos	DATE 5/12/81	
APPROVED BY C. S. Poulos	DATE 5/12/81	
APPROVED BY Hector Montoya	DATE 5/12/81	
DOCUMENT NUMBER DCS 5413877-0-1		REV. 1









REVISION HISTORY		
DATE	ISS NUMBER	REV.

TITLE  
H7216 -5.3, 12V  
REGULATOR

DOCUMENT NUMBER		
ISS NUMBER	ISS DATE	REV.
DCS 5415558-0-1		B
SCALE 2/1	SHEET 2 OF 2	





8 7 6 5 4 3 2 1

THIS DRAWING AND INFORMATION HEREON ARE THE PROPERTY OF MILITARY EQUIPMENT CORPORATION AND SHALL NOT BE REPRODUCED OR DISSEMINATED IN ANY MANNER WITHOUT THE EXPRESS WRITTEN PERMISSION OF MILITARY EQUIPMENT CORPORATION, 1980

1-0-84hhhs570

D  
C  
B  
A

LEGEND

J1	J2	W1	W2	W3	W4	VARIATION	ASSEMBLY NUMBER
OUT	IN	OUT	OUT	IN	IN	11/730-AA	94-14438-00 SEE NOTE 1
IN	OUT	OUT	IN	OUT	IN	11/730-ZA	94-14438-01 SEE NOTE 1
IN	OUT	OUT	IN	OUT	IN	11/725	94-14438-02 SEE NOTE 1
IN	OUT	OUT	OUT	IN	IN	11/730-AE,AF	94-14438-03 SEE NOTE 1

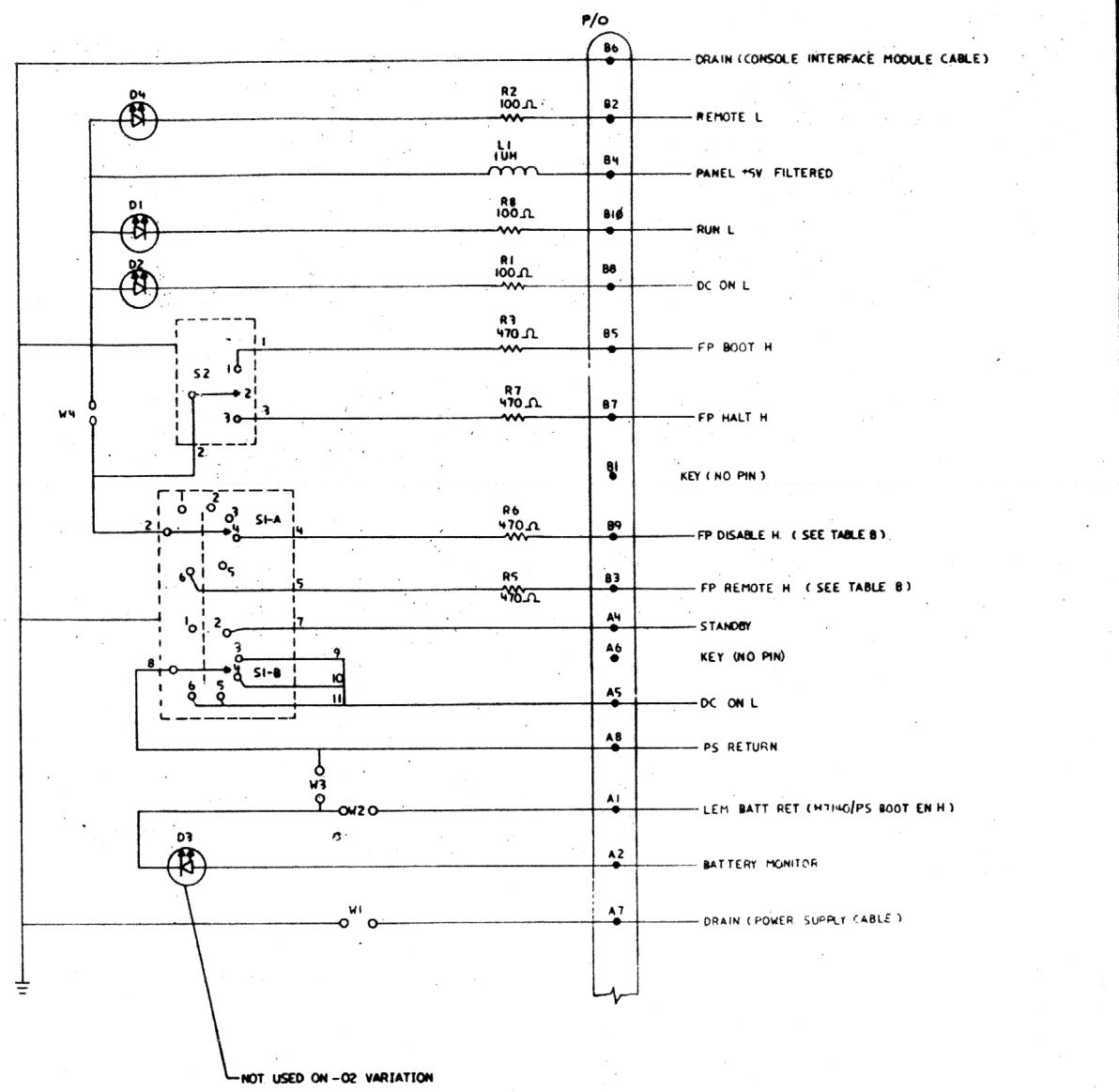
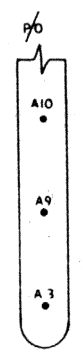
NOTE:  
1. FOR PICTORIAL PINNING OF J1 AND S2 SEE D-UA-544438-0-0.

TABLE A

POSITION	SWITCH 1A DESCRIPTION	SWITCH 1B DESCRIPTION
1	OFF	OFF
2	NONE	STANDBY
3	LOCAL	DC ON
4	LOCAL DISABLE	DC ON
5	REMOTE DISABLE	DC ON
6	REMOTE	DC ON

TABLE B

DISABLE	REMOTE	SWITCH 1A POSITION
0	0	1
0	0	2
0	0	3
1	0	4
1	1	5
0	1	6



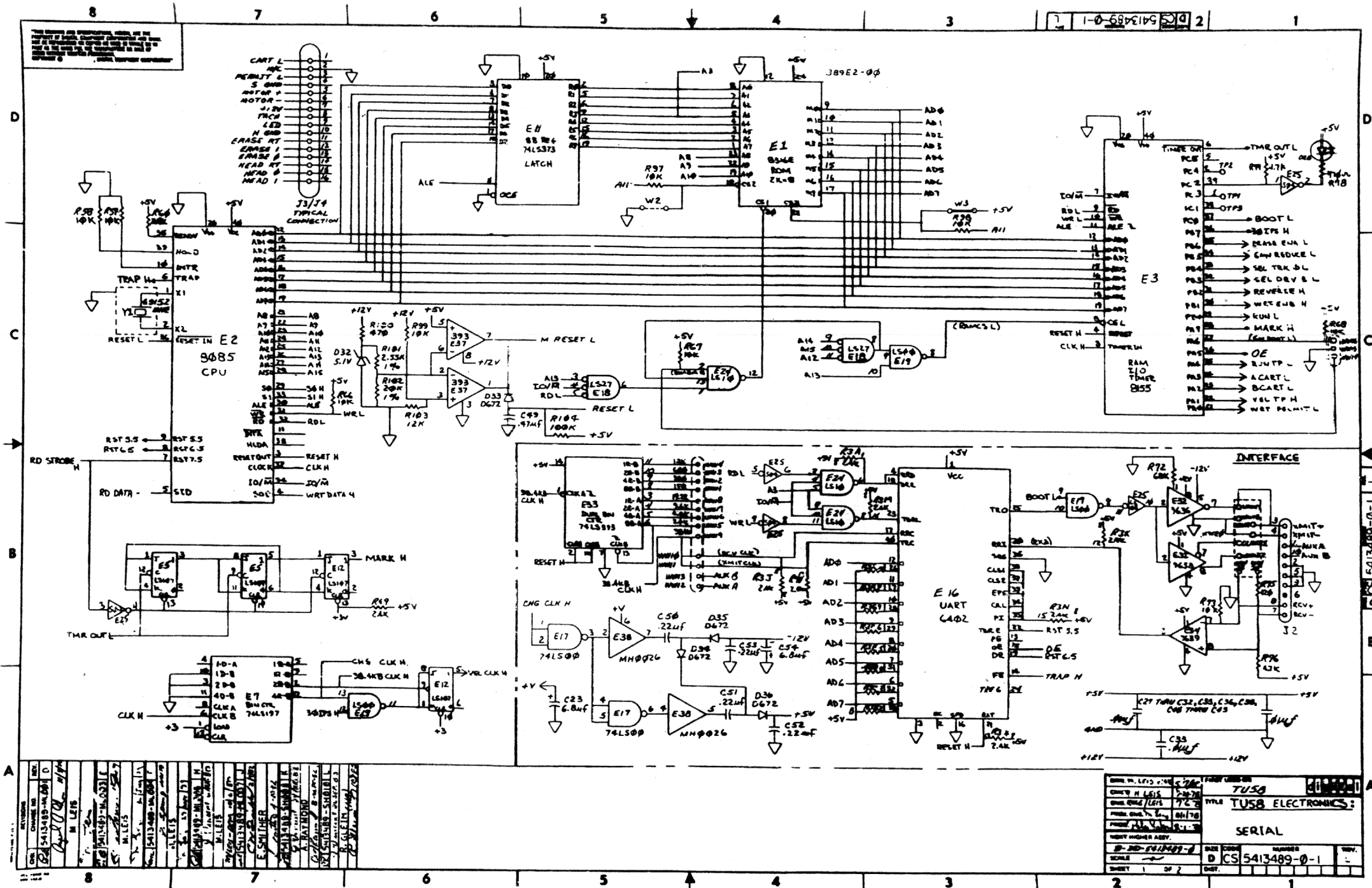
NOT USED ON -02 VARIATION

REVISION HISTORY	REV.	DATE
544438-1-003	B	
A. ROBERTS	E-11-83	
C. PARSON	7-1-83	

DESIGNED BY J. J. JAMES	DATE 8-18-80	TITLE CONSOLE MODULE
CHECKED BY F. J. JAMES	DATE 8-28-80	DOCUMENT NUMBER D CS 544438-0-1 B
APPROVED BY D. M. ANDREWS	DATE 10-8-80	
APPROVED BY D. M. ANDREWS	DATE 12-8-80	
APPROVED BY J. J. JAMES	DATE 7-0-8-80	
D-UA-544438-0-0		TW 1

8 7 6 5 4 3 2 1



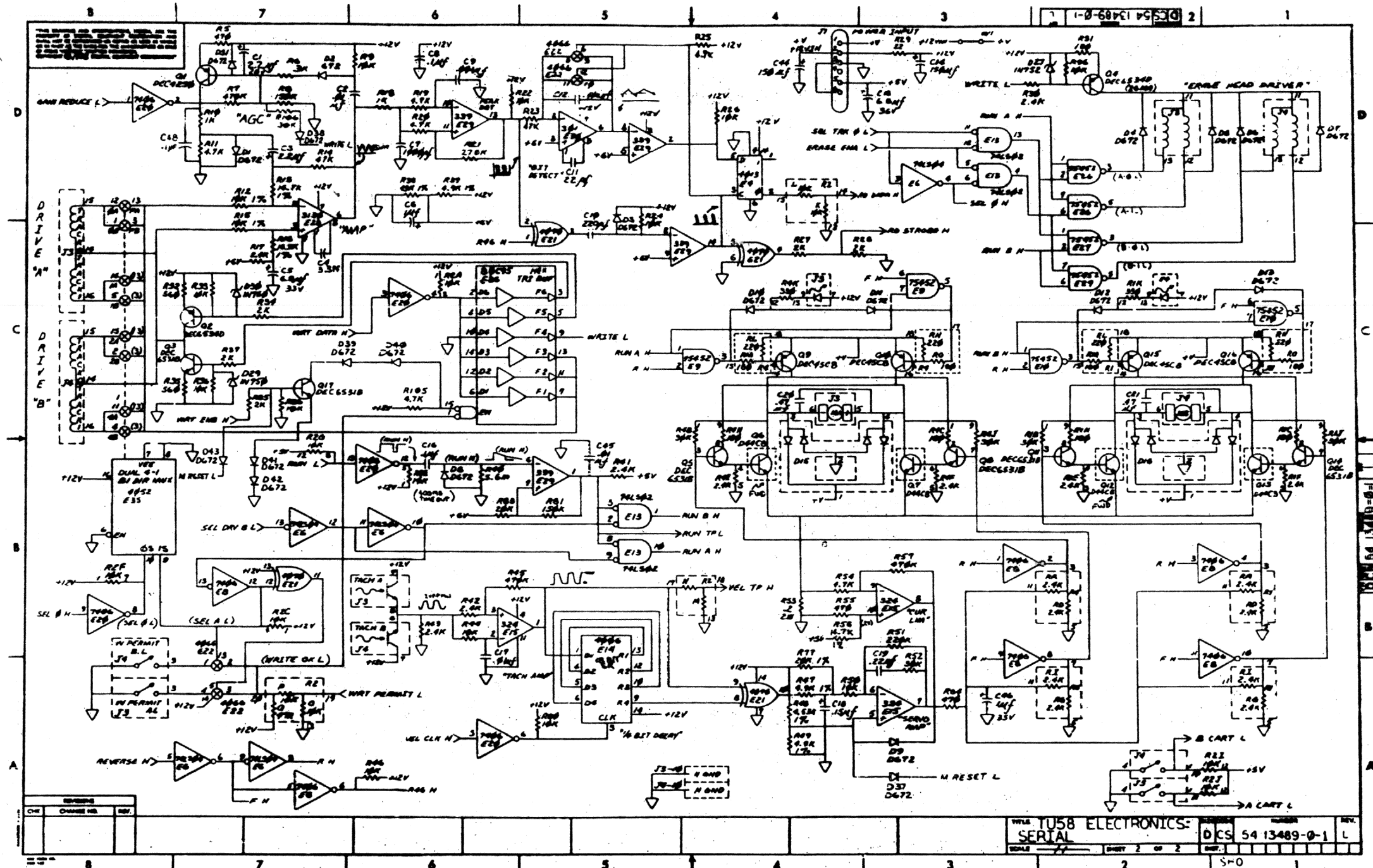


THIS CIRCUIT AND INFORMATION HEREON ARE THE PROPERTY OF THE UNITED STATES GOVERNMENT AND ARE LOANED TO YOU BY THE NATIONAL BUREAU OF STANDARDS. IT IS TO BE REPRODUCED AND TRANSMITTED IN ANY FORM OR BY ANY MEANS, ELECTRONIC OR MECHANICAL, INCLUDING PHOTOCOPYING, RECORDING, OR BY ANY INFORMATION STORAGE AND RETRIEVAL SYSTEM, WITHOUT PERMISSION IN WRITING FROM THE NATIONAL BUREAU OF STANDARDS.

REV.	DATE	BY	CHKD.	DESCRIPTION
1	11/15/78	W. L. LEIS		INITIAL DESIGN
2	11/15/78	W. L. LEIS		REVISED TO ADD 74LS164
3	11/15/78	W. L. LEIS		REVISED TO ADD 74LS165
4	11/15/78	W. L. LEIS		REVISED TO ADD 74LS160
5	11/15/78	W. L. LEIS		REVISED TO ADD 74LS161
6	11/15/78	W. L. LEIS		REVISED TO ADD 74LS162
7	11/15/78	W. L. LEIS		REVISED TO ADD 74LS163
8	11/15/78	W. L. LEIS		REVISED TO ADD 74LS164
9	11/15/78	W. L. LEIS		REVISED TO ADD 74LS165
10	11/15/78	W. L. LEIS		REVISED TO ADD 74LS166
11	11/15/78	W. L. LEIS		REVISED TO ADD 74LS167
12	11/15/78	W. L. LEIS		REVISED TO ADD 74LS168
13	11/15/78	W. L. LEIS		REVISED TO ADD 74LS169
14	11/15/78	W. L. LEIS		REVISED TO ADD 74LS170
15	11/15/78	W. L. LEIS		REVISED TO ADD 74LS171
16	11/15/78	W. L. LEIS		REVISED TO ADD 74LS172
17	11/15/78	W. L. LEIS		REVISED TO ADD 74LS173
18	11/15/78	W. L. LEIS		REVISED TO ADD 74LS174
19	11/15/78	W. L. LEIS		REVISED TO ADD 74LS175
20	11/15/78	W. L. LEIS		REVISED TO ADD 74LS176
21	11/15/78	W. L. LEIS		REVISED TO ADD 74LS177
22	11/15/78	W. L. LEIS		REVISED TO ADD 74LS178
23	11/15/78	W. L. LEIS		REVISED TO ADD 74LS179
24	11/15/78	W. L. LEIS		REVISED TO ADD 74LS180
25	11/15/78	W. L. LEIS		REVISED TO ADD 74LS181
26	11/15/78	W. L. LEIS		REVISED TO ADD 74LS182
27	11/15/78	W. L. LEIS		REVISED TO ADD 74LS183
28	11/15/78	W. L. LEIS		REVISED TO ADD 74LS184
29	11/15/78	W. L. LEIS		REVISED TO ADD 74LS185
30	11/15/78	W. L. LEIS		REVISED TO ADD 74LS186
31	11/15/78	W. L. LEIS		REVISED TO ADD 74LS187
32	11/15/78	W. L. LEIS		REVISED TO ADD 74LS188
33	11/15/78	W. L. LEIS		REVISED TO ADD 74LS189
34	11/15/78	W. L. LEIS		REVISED TO ADD 74LS190
35	11/15/78	W. L. LEIS		REVISED TO ADD 74LS191
36	11/15/78	W. L. LEIS		REVISED TO ADD 74LS192
37	11/15/78	W. L. LEIS		REVISED TO ADD 74LS193
38	11/15/78	W. L. LEIS		REVISED TO ADD 74LS194
39	11/15/78	W. L. LEIS		REVISED TO ADD 74LS195
40	11/15/78	W. L. LEIS		REVISED TO ADD 74LS196
41	11/15/78	W. L. LEIS		REVISED TO ADD 74LS197
42	11/15/78	W. L. LEIS		REVISED TO ADD 74LS198
43	11/15/78	W. L. LEIS		REVISED TO ADD 74LS199
44	11/15/78	W. L. LEIS		REVISED TO ADD 74LS200
45	11/15/78	W. L. LEIS		REVISED TO ADD 74LS201
46	11/15/78	W. L. LEIS		REVISED TO ADD 74LS202
47	11/15/78	W. L. LEIS		REVISED TO ADD 74LS203
48	11/15/78	W. L. LEIS		REVISED TO ADD 74LS204
49	11/15/78	W. L. LEIS		REVISED TO ADD 74LS205
50	11/15/78	W. L. LEIS		REVISED TO ADD 74LS206
51	11/15/78	W. L. LEIS		REVISED TO ADD 74LS207
52	11/15/78	W. L. LEIS		REVISED TO ADD 74LS208
53	11/15/78	W. L. LEIS		REVISED TO ADD 74LS209
54	11/15/78	W. L. LEIS		REVISED TO ADD 74LS210
55	11/15/78	W. L. LEIS		REVISED TO ADD 74LS211
56	11/15/78	W. L. LEIS		REVISED TO ADD 74LS212
57	11/15/78	W. L. LEIS		REVISED TO ADD 74LS213
58	11/15/78	W. L. LEIS		REVISED TO ADD 74LS214
59	11/15/78	W. L. LEIS		REVISED TO ADD 74LS215
60	11/15/78	W. L. LEIS		REVISED TO ADD 74LS216
61	11/15/78	W. L. LEIS		REVISED TO ADD 74LS217
62	11/15/78	W. L. LEIS		REVISED TO ADD 74LS218
63	11/15/78	W. L. LEIS		REVISED TO ADD 74LS219
64	11/15/78	W. L. LEIS		REVISED TO ADD 74LS220
65	11/15/78	W. L. LEIS		REVISED TO ADD 74LS221
66	11/15/78	W. L. LEIS		REVISED TO ADD 74LS222
67	11/15/78	W. L. LEIS		REVISED TO ADD 74LS223
68	11/15/78	W. L. LEIS		REVISED TO ADD 74LS224
69	11/15/78	W. L. LEIS		REVISED TO ADD 74LS225
70	11/15/78	W. L. LEIS		REVISED TO ADD 74LS226
71	11/15/78	W. L. LEIS		REVISED TO ADD 74LS227
72	11/15/78	W. L. LEIS		REVISED TO ADD 74LS228
73	11/15/78	W. L. LEIS		REVISED TO ADD 74LS229
74	11/15/78	W. L. LEIS		REVISED TO ADD 74LS230
75	11/15/78	W. L. LEIS		REVISED TO ADD 74LS231
76	11/15/78	W. L. LEIS		REVISED TO ADD 74LS232
77	11/15/78	W. L. LEIS		REVISED TO ADD 74LS233
78	11/15/78	W. L. LEIS		REVISED TO ADD 74LS234
79	11/15/78	W. L. LEIS		REVISED TO ADD 74LS235
80	11/15/78	W. L. LEIS		REVISED TO ADD 74LS236
81	11/15/78	W. L. LEIS		REVISED TO ADD 74LS237
82	11/15/78	W. L. LEIS		REVISED TO ADD 74LS238
83	11/15/78	W. L. LEIS		REVISED TO ADD 74LS239
84	11/15/78	W. L. LEIS		REVISED TO ADD 74LS240
85	11/15/78	W. L. LEIS		REVISED TO ADD 74LS241
86	11/15/78	W. L. LEIS		REVISED TO ADD 74LS242
87	11/15/78	W. L. LEIS		REVISED TO ADD 74LS243
88	11/15/78	W. L. LEIS		REVISED TO ADD 74LS244
89	11/15/78	W. L. LEIS		REVISED TO ADD 74LS245
90	11/15/78	W. L. LEIS		REVISED TO ADD 74LS246
91	11/15/78	W. L. LEIS		REVISED TO ADD 74LS247
92	11/15/78	W. L. LEIS		REVISED TO ADD 74LS248
93	11/15/78	W. L. LEIS		REVISED TO ADD 74LS249
94	11/15/78	W. L. LEIS		REVISED TO ADD 74LS250
95	11/15/78	W. L. LEIS		REVISED TO ADD 74LS251
96	11/15/78	W. L. LEIS		REVISED TO ADD 74LS252
97	11/15/78	W. L. LEIS		REVISED TO ADD 74LS253
98	11/15/78	W. L. LEIS		REVISED TO ADD 74LS254
99	11/15/78	W. L. LEIS		REVISED TO ADD 74LS255
100	11/15/78	W. L. LEIS		REVISED TO ADD 74LS256

DATE: 11/15/78	DESIGNER: W. L. LEIS	CHECKED: W. L. LEIS	DATE: 11/15/78
PROJECT: TUSB			
TITLE: TUSB ELECTRONICS			
SERIAL: _____			
SCALE: _____	SIZE: _____	NUMBER: _____	REV: _____
D CS 5413489-0-1		REV: _____	
SHEET 1 OF 2		DATE: _____	





TU58 ELECTRONICS  
 SERIAL  
 DCS 54 13489-0-1 L





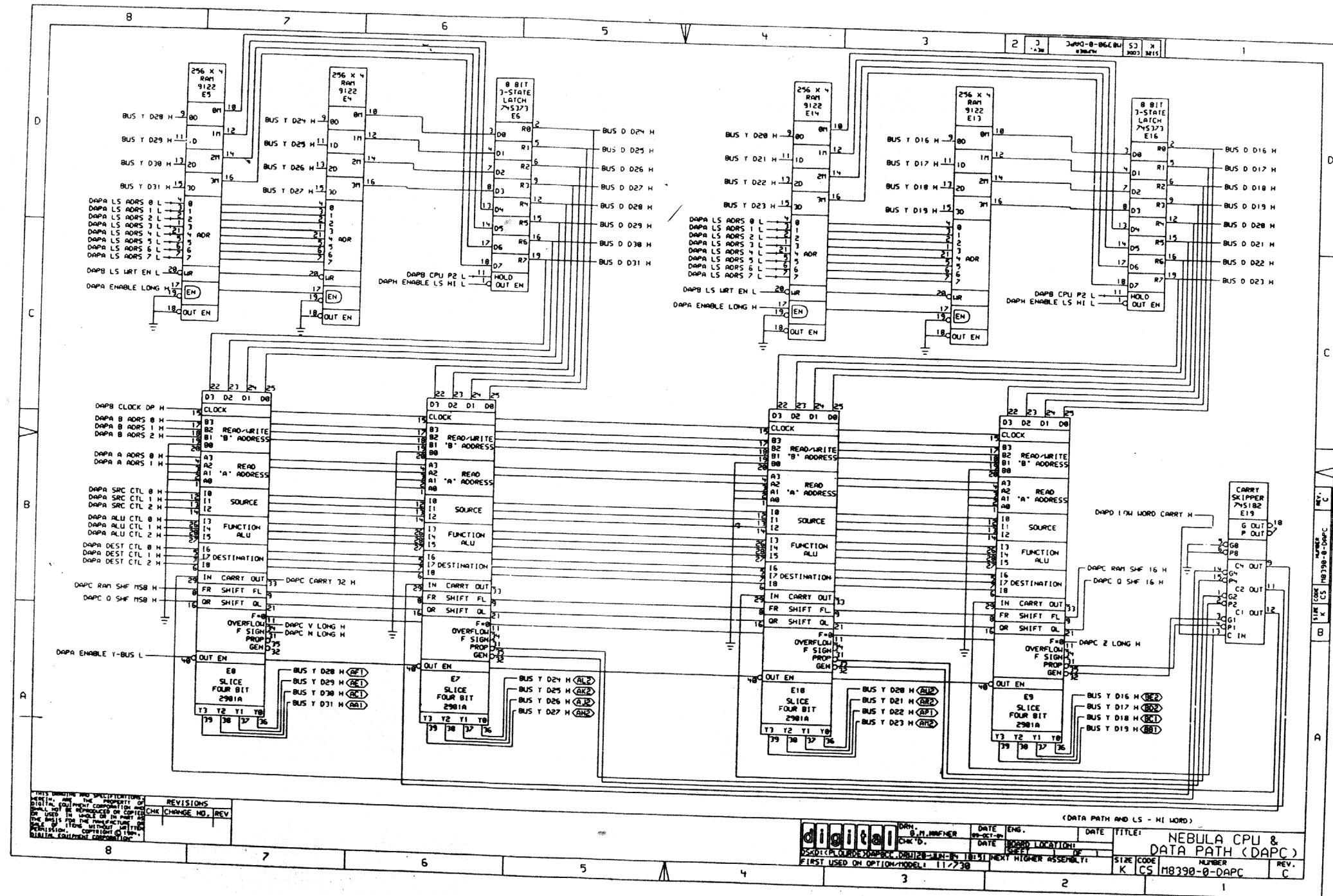








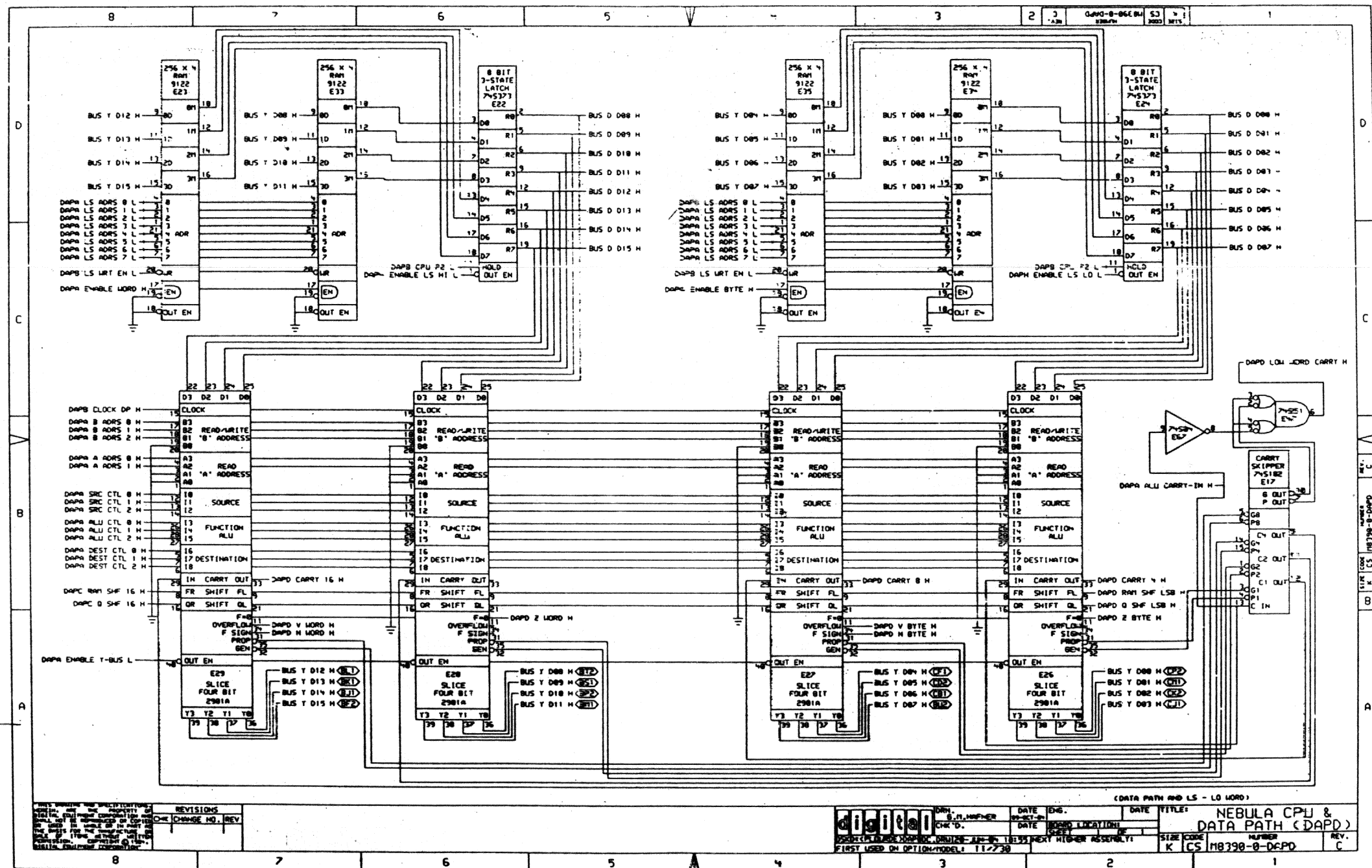




THIS DRAWING AND SPECIFICATIONS ARE THE PROPERTY OF DIGITAL EQUIPMENT CORPORATION AND ARE TO BE REPRODUCED OR TRANSMITTED IN ANY FORM OR BY ANY MEANS, ELECTRONIC OR MECHANICAL, INCLUDING PHOTOCOPYING, RECORDING, OR BY ANY INFORMATION STORAGE AND RETRIEVAL SYSTEM, WITHOUT PERMISSION IN WRITING FROM DIGITAL EQUIPMENT CORPORATION.

REV. NO.	DATE	DESCRIPTION
1	11-27-70	INITIAL DESIGN
2	12-15-70	REVISIONS

DIGITAL		DATE ENG.	DATE	TITLE:
DRY	PL NUMBER	DATE	DATE	NEBULA CPU & DATA PATH (DAPC)
52-014-0000-0000-0000-0000-0000-0000	11-27-70			
FIRST USED ON OPTION MODEL: 11-27-70		DATE	DATE	NUMBER
				K CS M8290-0-DAPC
				REV. C



REV.	DESCRIPTION	DATE	BY
1	INITIAL		
2	CHANGE NO. 1		
3	CHANGE NO. 2		

DATE	ENG.	DATE	TITLE
11-27-79			NEBULA CPU & DATA PATH (DAPD)
			NUMBER
			REV. C

DESIGNED BY: [Name] CHECKED BY: [Name] DATE: [Date] FIRST USED ON OPTION MODEL: 11-27-79

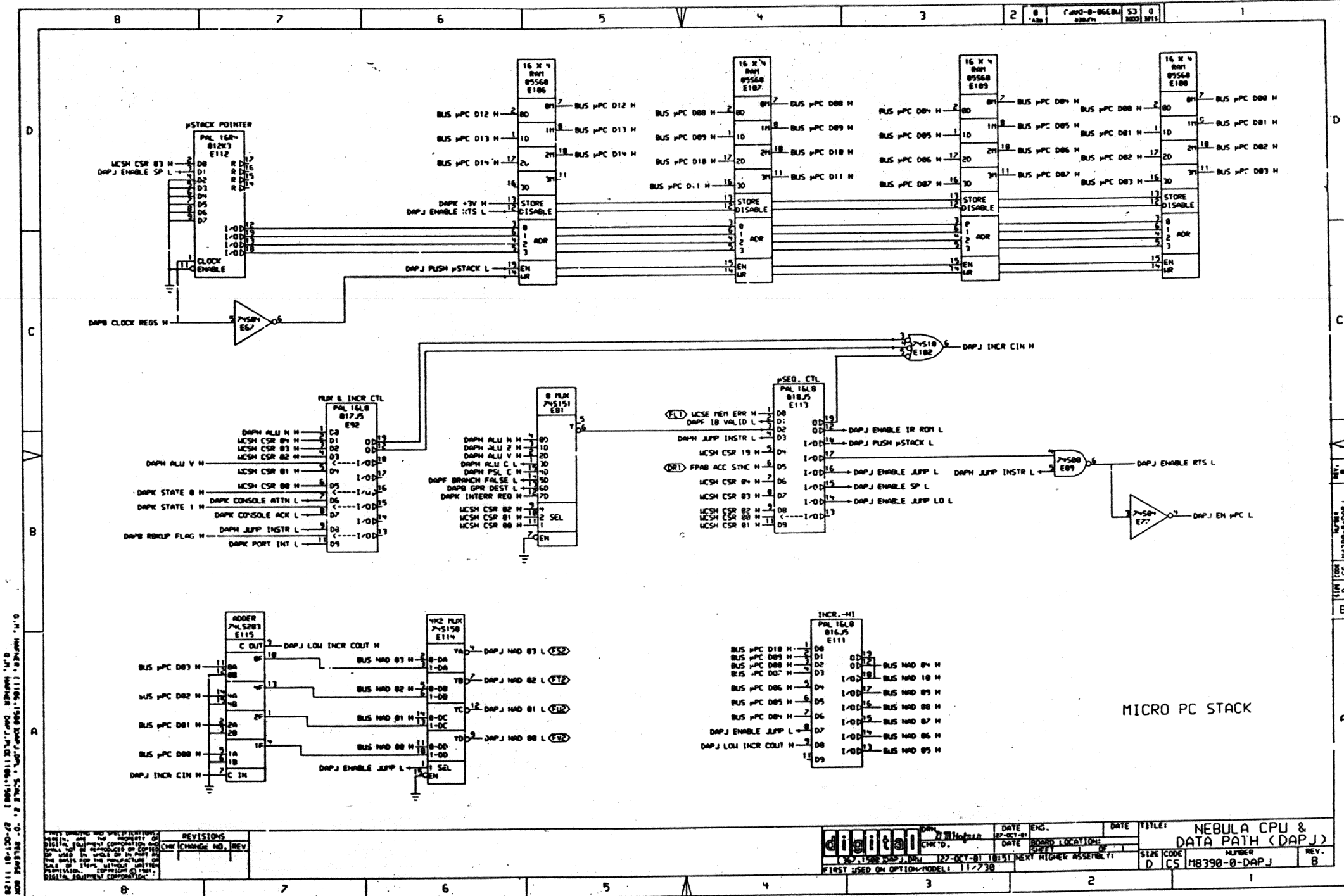












O.M. NUMBER: 1186-1588 DAPJ.DWG. SCALE: 2:1  
 O.M. NUMBER: DAPJ.DWG.1186-1588  
 DATE: 12-27-81

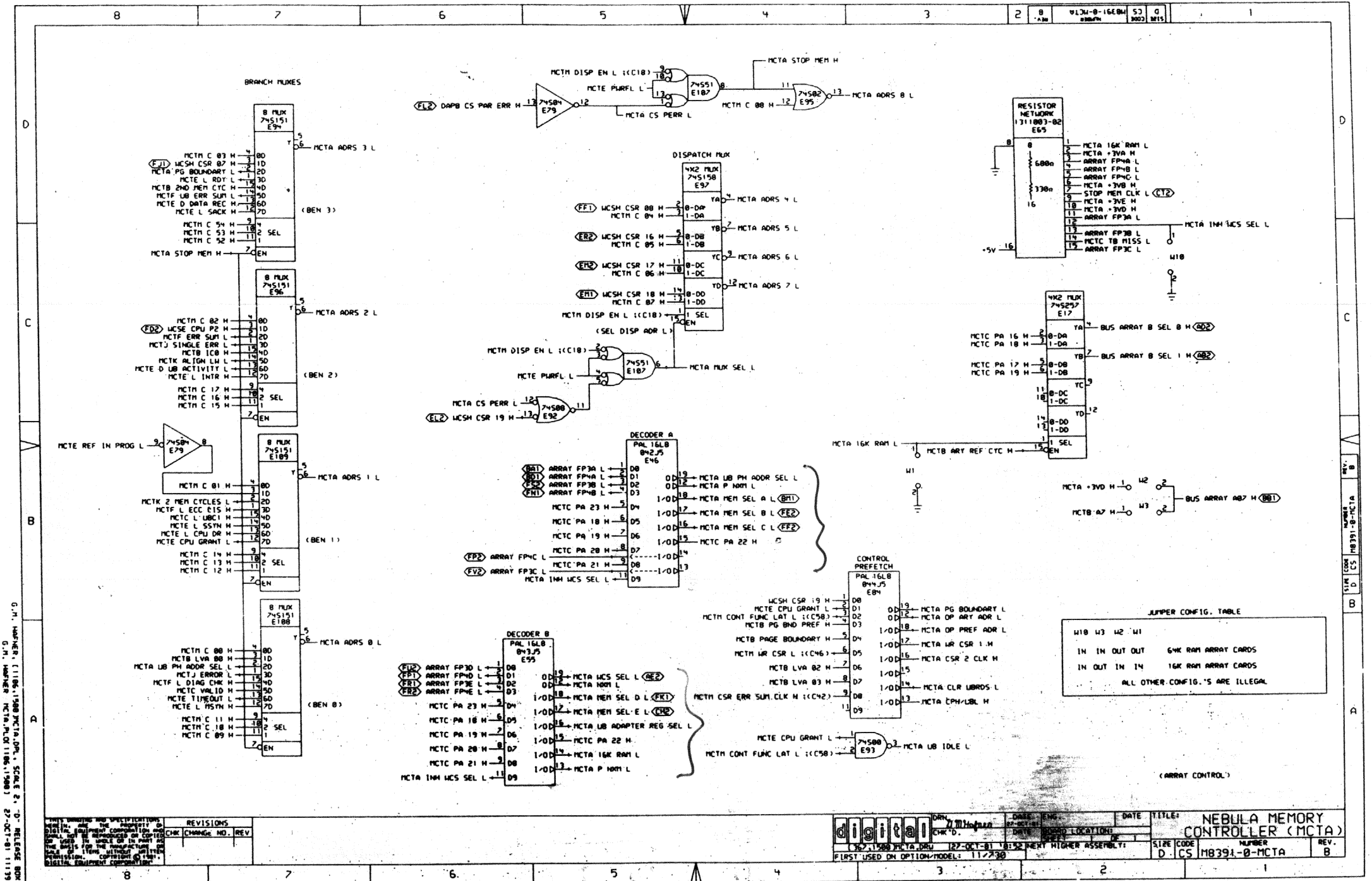
REV.	DESCRIPTION	DATE
1	INITIAL DESIGN	12-27-81
2	REVISION	12-27-81

digital	DATE	12-27-81	ENG.	DATE	TITLE
	DATE	12-27-81	BOARD LOCATION		NEBULA CPU & DATA PATH (DAPJ)
	DATE	12-27-81	REV. HIGHEN ASSEMBLY	SIZE CODE	D CS
	FIRST USED ON OPTION MODEL:	117730		NUMBER	MB390-0-DAPJ
				REV.	B









G.M. HARNER, (1186) MCTA, SCALE 2:1 - REFERENCE BOARD  
 G.M. HARNER, MCTA, (1186) MCTA, SCALE 2:1 - REFERENCE BOARD

REV	CHG	NO.	REV

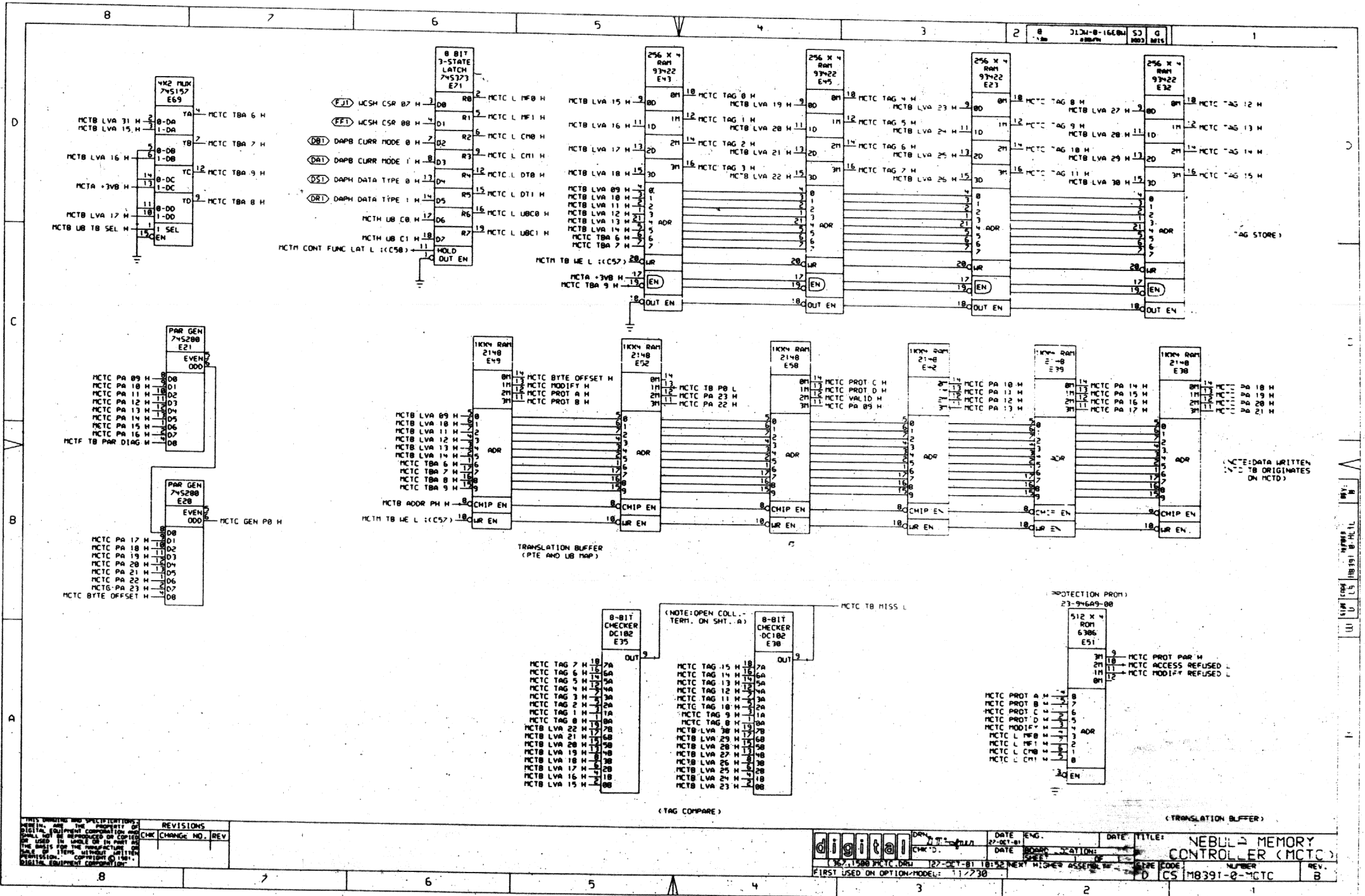
	DATE	12-01-81	DATE	12-01-81	TITLE	NEBULA MEMORY CONTROLLER (MCTA)
	DESIGNED BY		CHECKED BY		SIZE	D. CS
FIRST USED ON OPTION MODEL: 11730	DATE: 12-01-81	BY: G.M. HARNER	LOCATION:	NUMBER:	REV: 8	PART NUMBER: M8394-0-MCTA

JUMPER CONFIG. TABLE

W10	W3	W2	W1	
IN	IN	OUT	OUT	64K RAM ARRAY CARDS
IN	OUT	IN	IN	16K RAM ARRAY CARDS
ALL OTHER CONFIG.'S ARE ILLEGAL				

(ARRAY CONTROL)





G.M. WARNER (1186-1988) MTC-DP, SCALE 2:1, RELEASE BOX  
 G.M. WARNER MTC-PLD(1186-1988) 27-OCT-81 11198

NOTE: DATA WRITTEN IN TB ORIGINATES ON MCTD

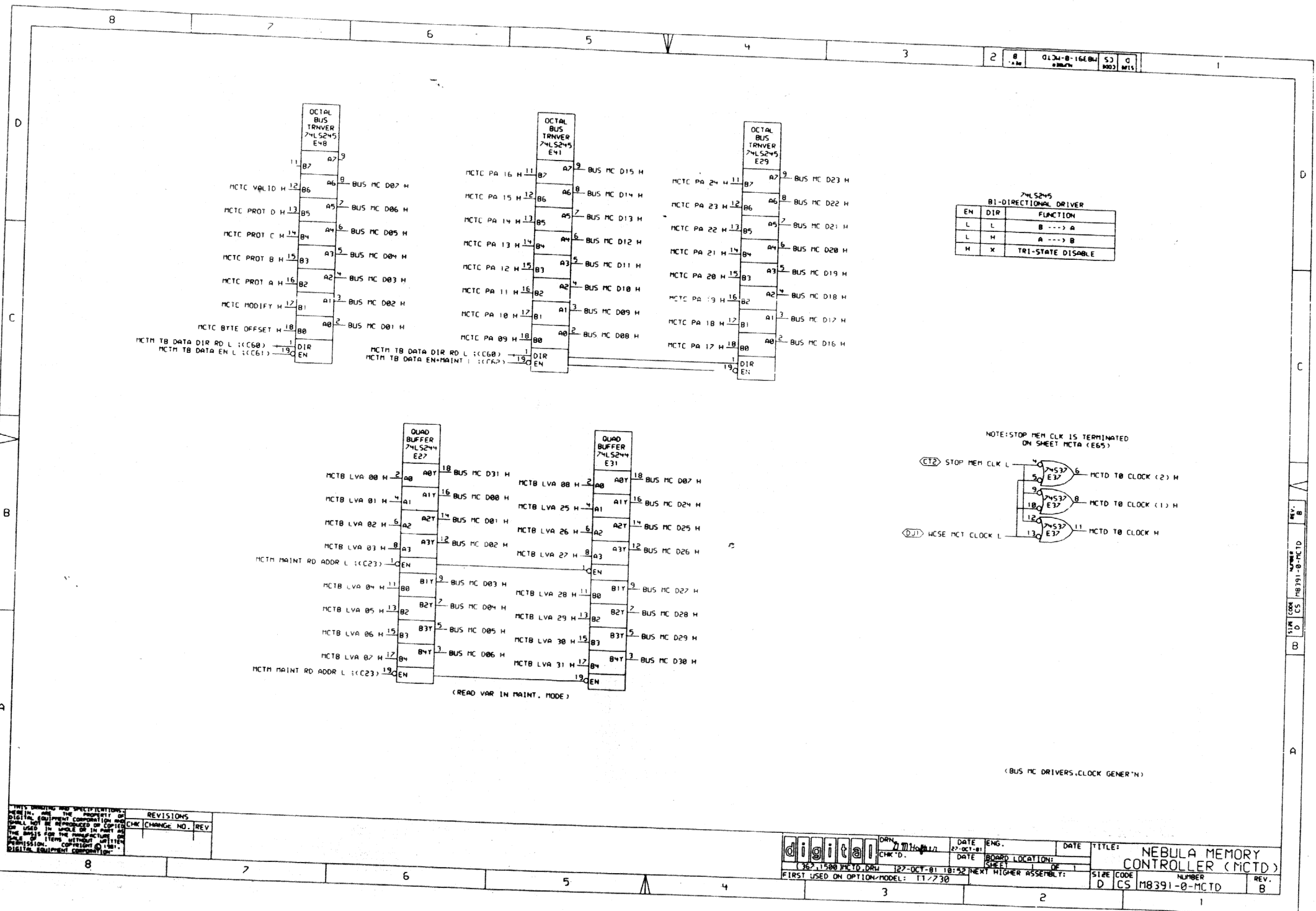
TRANSLATION BUFFER (PTE AND LB MAP)

PROTECTION PROM 23-9669-00

(TAG COMPARE)

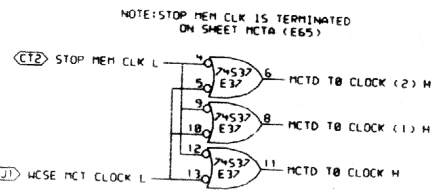
(TRANSLATION BUFFER)

digital  
 12-1-73 MTC-DP 12-1-73 11:42 NEXT HIGHER ASSEMBLY  
 FIRST USED ON OPTION MODEL: 11-7-73



74LS245  
BI-DIRECTIONAL DRIVER

EN	DIR	FUNCTION
L	L	B → A
L	H	A → B
H	X	TRI-STATE DISABLE



(BUS MC DRIVERS, CLOCK GENERATION)

G.H. HARNER (1186) MCTD-DPL, SCALE 2.0" RELEASE BOX  
G.H. HARNER MCTD-DPL(1186) 27-OCT-81 1118

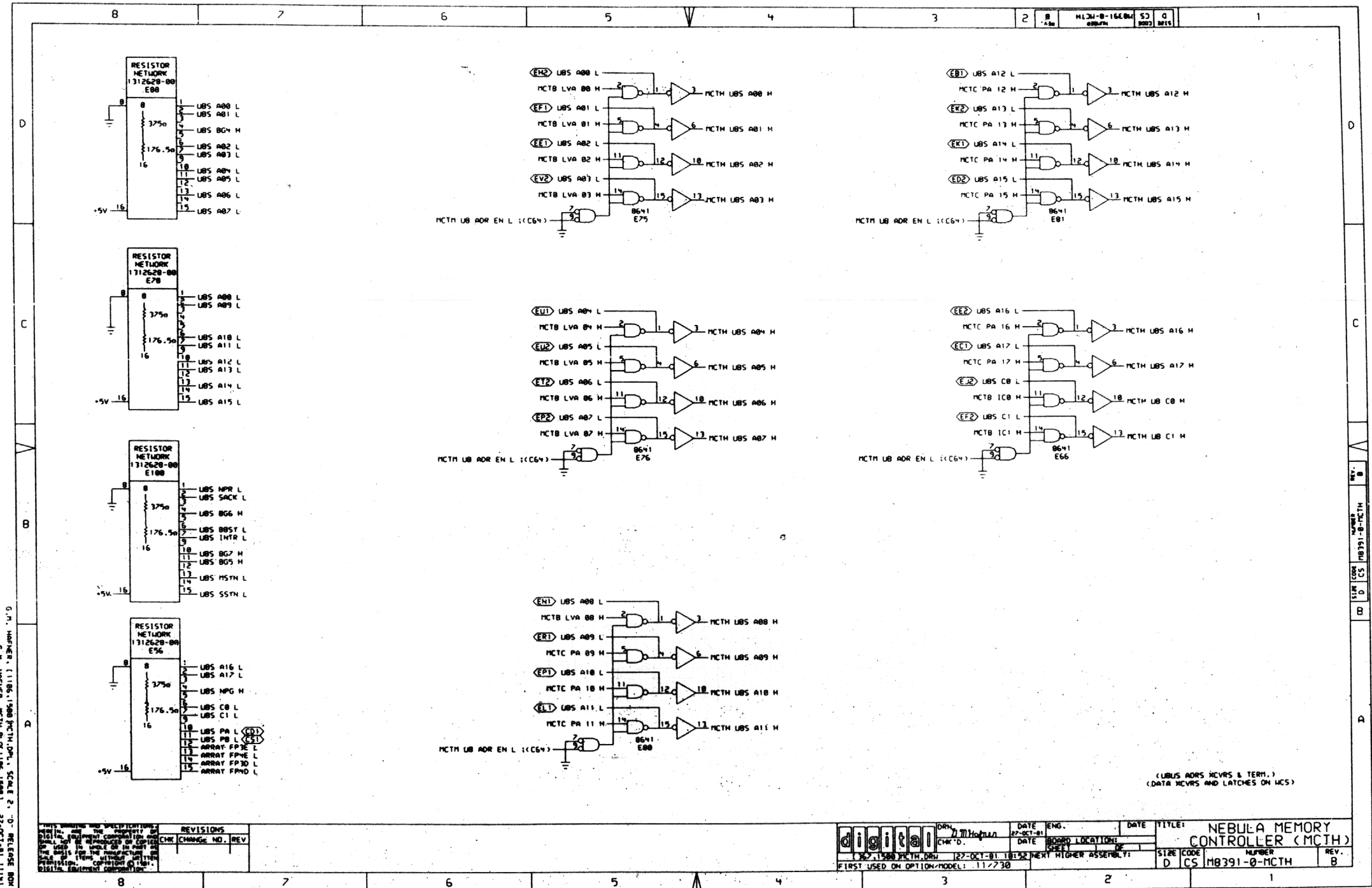
REVISIONS	
CHK	CHANGE NO. REV

**digital** DAN M HOLLIS DATE ENG. 27-OCT-81  
 DATE BOARD LOCATION: SHEET 1  
 TITLE: NEBULA MEMORY CONTROLLER (MCTD)  
 SIZE CODE NUMBER REV.  
 D CS M8391-0-MCTD B









G.M. WARNER, (1186,1508) MCH, DM, SCALE 2, 27-OCT-81, RELEASE 80M  
 G.M. WARNER, MCH, P, (1186,1508) 27-OCT-81, 1141

digital	DATE	27-OCT-81	DATE	27-OCT-81	DATE	27-OCT-81	DATE	27-OCT-81			
	CHK'D.	J. J. Hoffman	DATE	27-OCT-81	DATE	27-OCT-81	DATE	27-OCT-81			
FIRST USED ON OPTION/MODEL: 11/2730				FIRST USED ON OPTION/MODEL: 11/2730				FIRST USED ON OPTION/MODEL: 11/2730			
SIZE	CODE	D	CS	NUMBER	HB391-0-MCH	REV.	B				





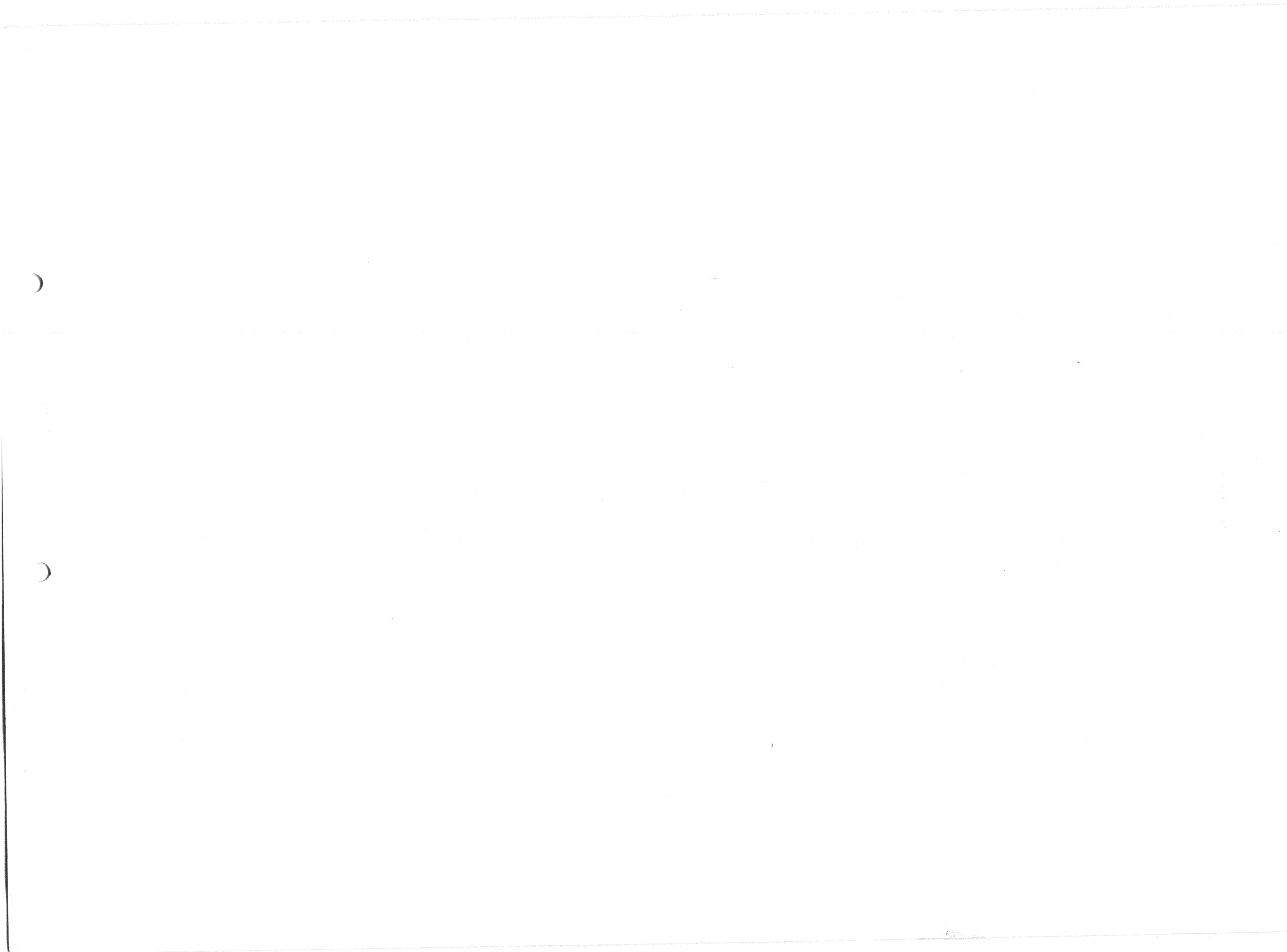


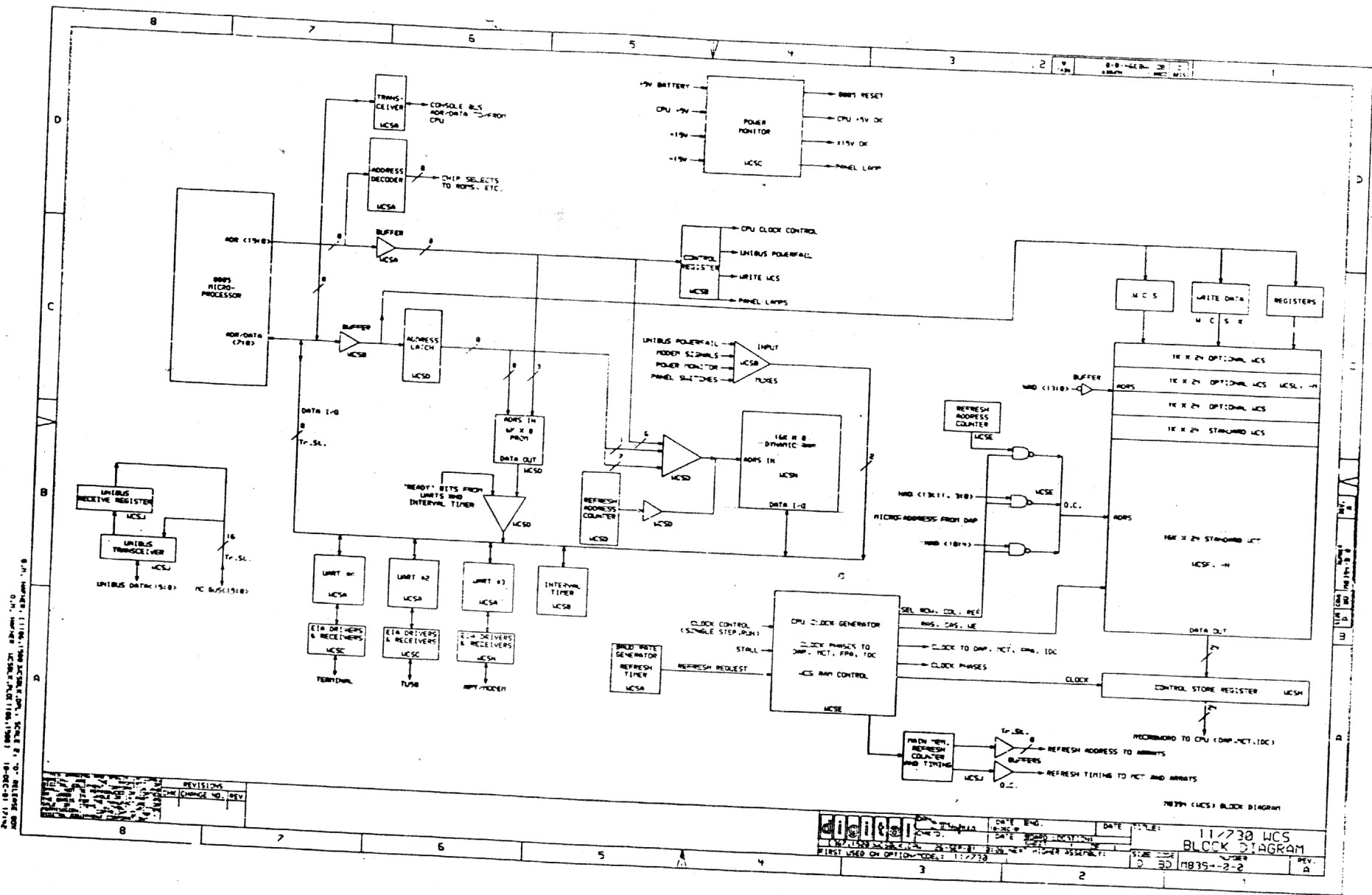
○

○



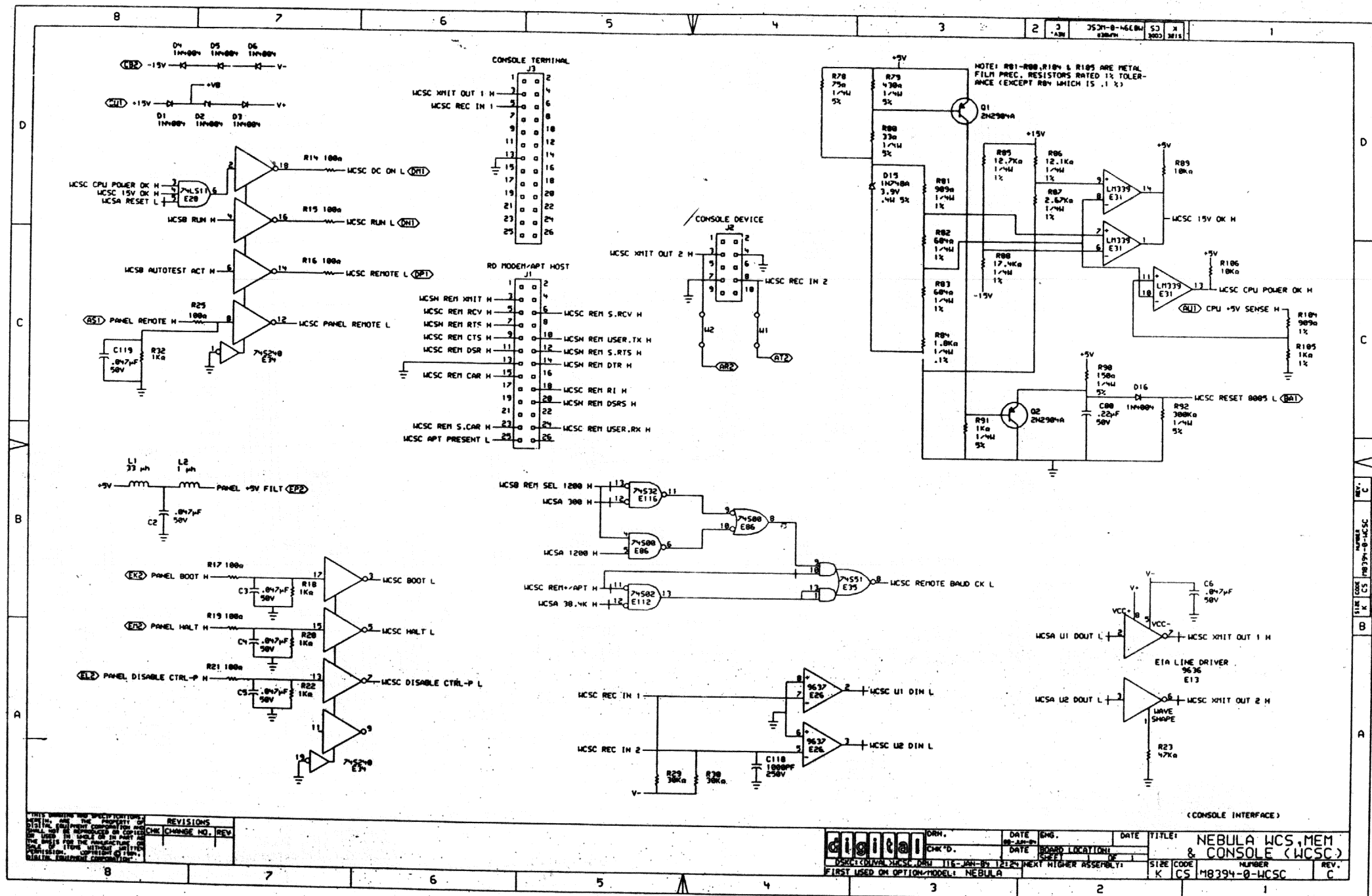












REV.	DATE	DESCRIPTION
1		INITIAL DESIGN
2		REVISIONS
3		CHG. CHANGE NO. REV.

DRW. DATE	ENG. DATE	FILE	TITLE
CHK'D. DATE	BOARD LOCATION	SIZE	NUMBER
FIRST USED ON OPTION/MODEL: NEBULA		CS	M8394-0-WCSC
		K	C

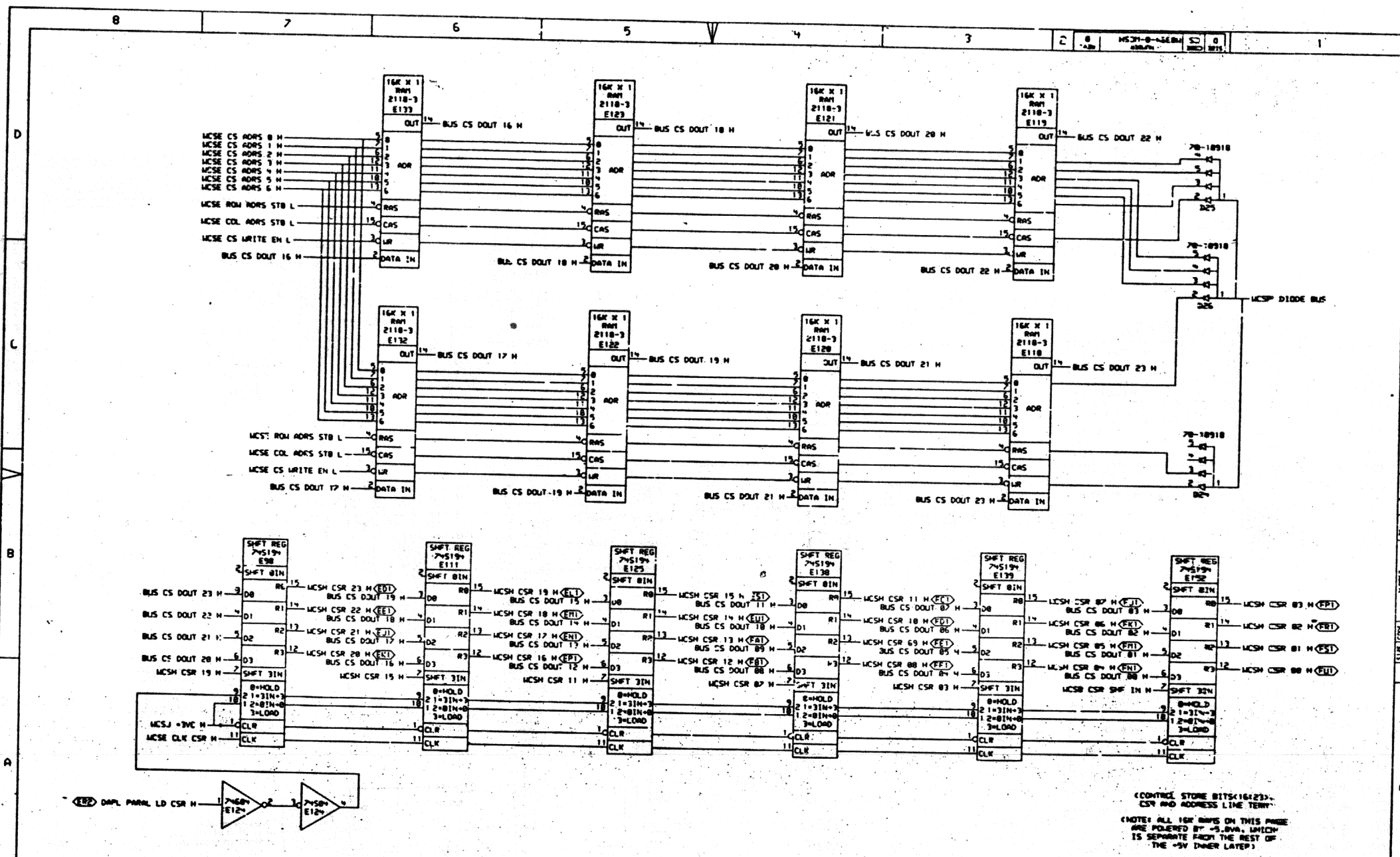








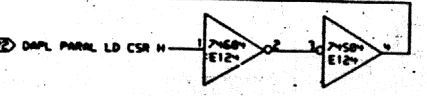




8.11. NUMBER: 11180-1-1588 WCSH MEM & CONSOLE  
 8.11. NUMBER: WCSH MEM & CONSOLE  
 11/17/71 20-100-11180-1-1588 WCSH MEM & CONSOLE  
 8.11. NUMBER: WCSH MEM & CONSOLE

REVISIONS	
CHG	CHANGE NO. / REV

	DATE: 11/17/71	ENG.:	DATE:	TITLE: NEBULA WCS MEM & CONSOLE (WCSH)
	18 DEC 81	11/17/71	11/17/71	11/17/71
FIRST USED ON OPTION/MODEL: 11/27/70	18 DEC 81	11/17/71	11/17/71	11/17/71



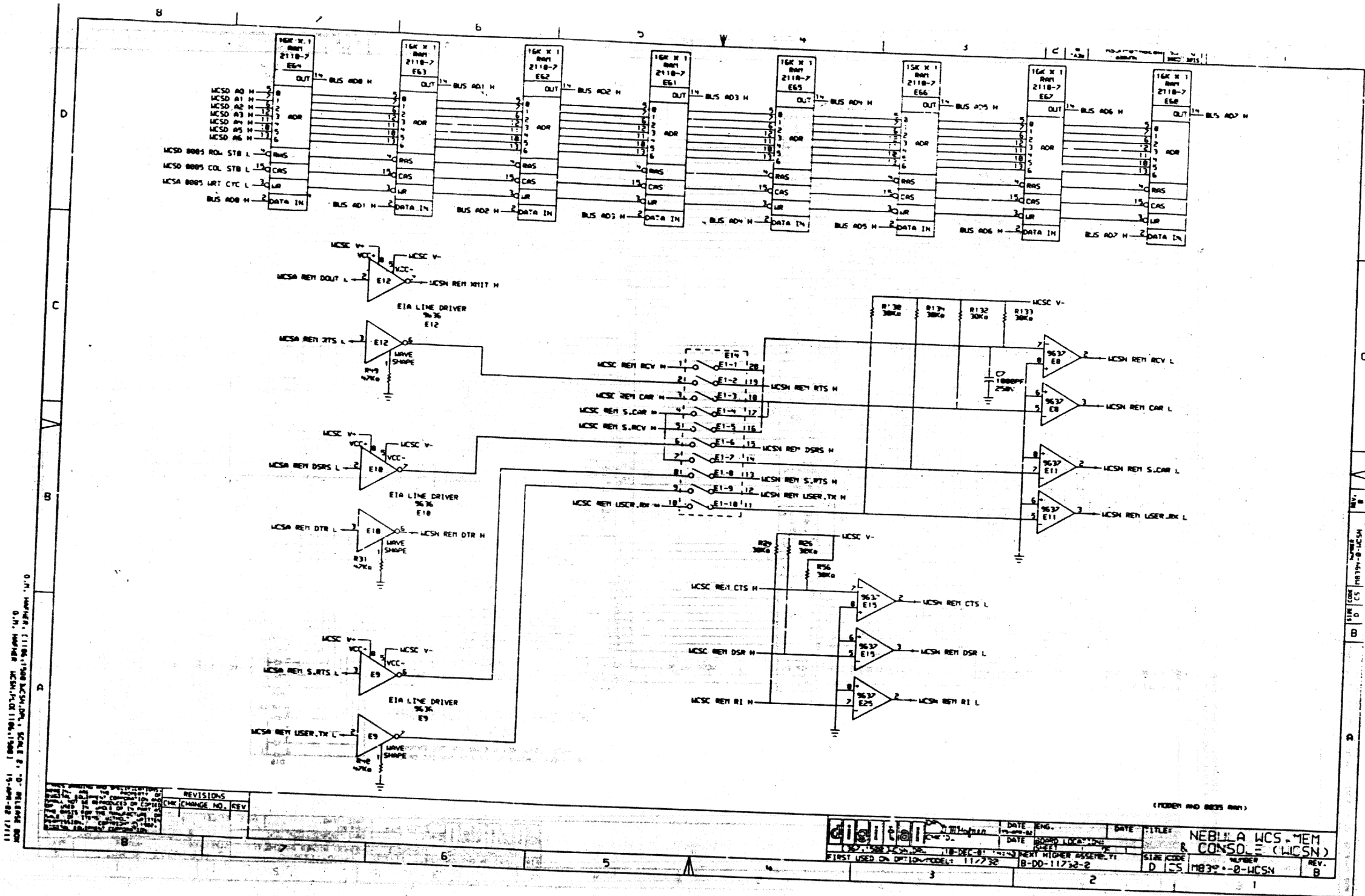
(CONTROL STORE BITS 16423) -  
 CS AND ADDRESS LINE TERM  
 (NOTE: ALL 16K RAMS ON THIS PAGE  
 ARE POWERED BY +5.0V, WHICH  
 IS SEPARATE FROM THE REST OF  
 THE +5V INNER LAYER)











D.M. HANSEN (11/26/58) MCSN, D.M. SCALE 2:1 - RELEASE 2001  
 D.M. HANSEN (1/10/59) MCSN (1/10/59) 19-000-00 (1/11)

REVISIONS		
CHK	CHANGE NO.	REV

DATE	ENG.	DATE	TITLE
11/26/58	D.M. HANSEN	11/26/58	NEBLA WCS MEM CONSOLE (MCSN)
DATE	BY	DATE	BY
11/26/58	D.M. HANSEN	11/26/58	D.M. HANSEN
FIRST USED ON OPTION MODEL 117732		B-D0-11732-2	
S/N	REV.	REV.	REV.
D	CS	1	B

1

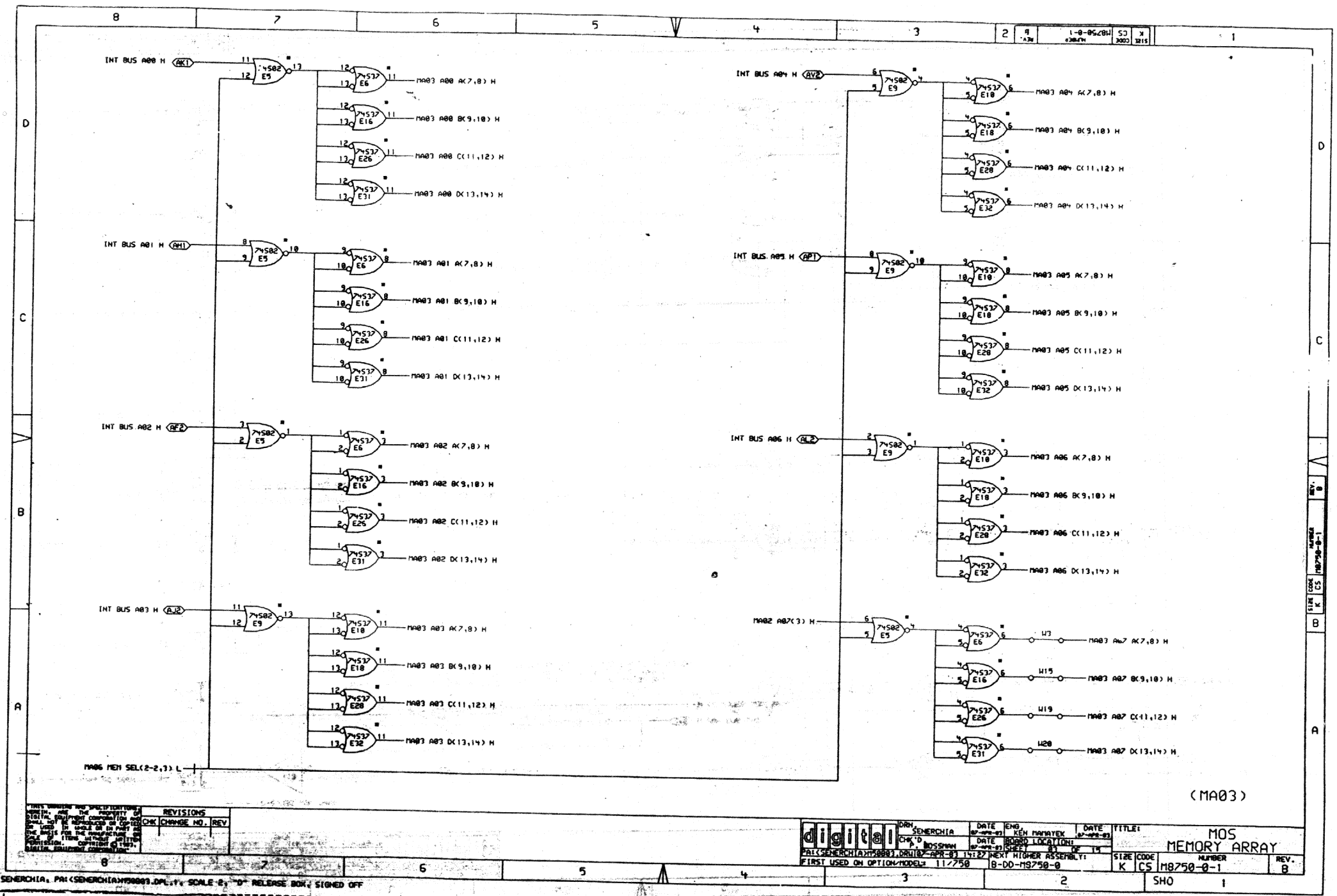
2









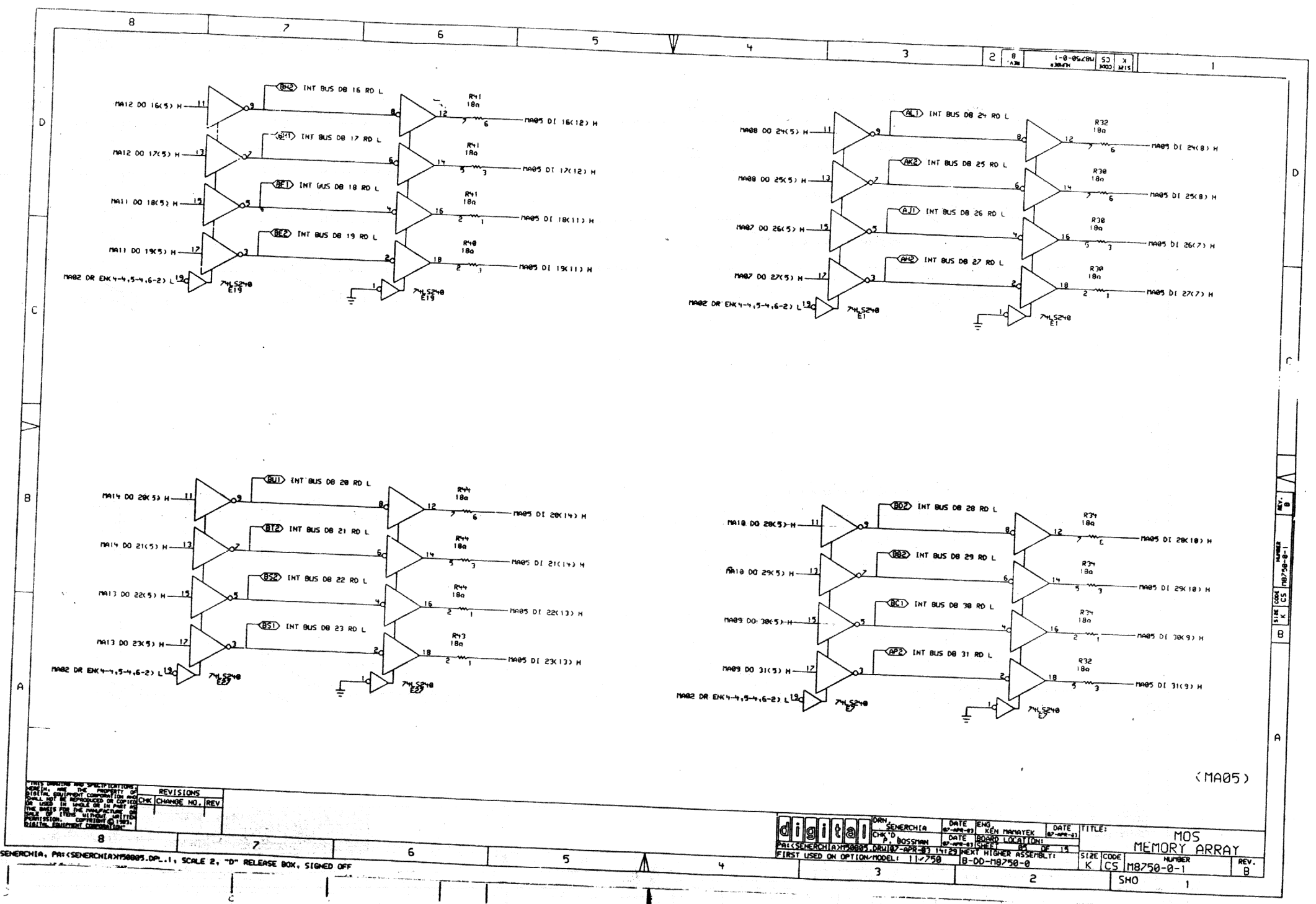


REV	CHG	NO	REV

<b>digital</b>	DATE: 11/75	ENG: BOSSMAN	DATE: 11/75	TITLE: MOS MEMORY ARRAY
SENERCHIA	DATE: 11/75	ENG: BOSSMAN	DATE: 11/75	SIZE: K CS
FIRST USED ON OPTION MODEL: 11/75	DATE: 11/75	ENG: BOSSMAN	DATE: 11/75	NUMBER: MA03
				REV: B

SENERCHIA, PAI (SENERCHIA) MA03.DPL:TY SCALE: 2:1 0" RELEASE BOX, SIGNED OFF



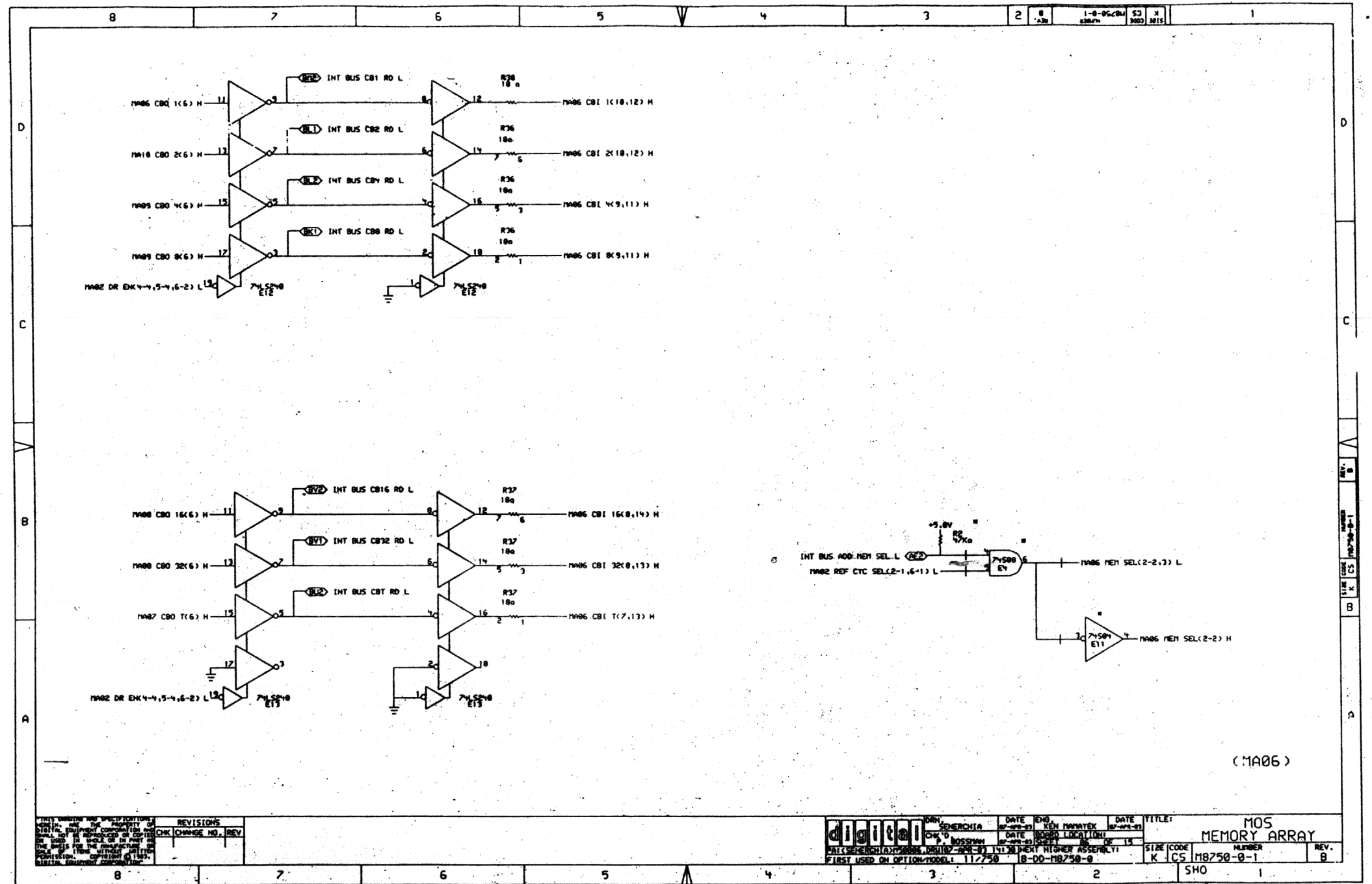


THIS DRAWING AND SPECIFICATIONS ARE THE PROPERTY OF DIGITAL EQUIPMENT CORPORATION AND ARE TO BE REPRODUCED OR COPIED IN WHOLE OR IN PART WITHOUT THE WRITTEN PERMISSION OF DIGITAL EQUIPMENT CORPORATION.

REV.	CHANGE NO.	REV.

digit	DATE	ENG	DATE	TITLE:
	11/2/75	11/2/75	11/2/75	MOS MEMORY ARRAY
DESIGNED BY	CHECKED BY	DATE	DATE	REV.
SENARCHIA	BOSSMAN	11/2/75	11/2/75	B
FIRST USED ON OPTION/MODEL:	DATE	LOC.	DATE	REV.
11/2/75	11/2/75	11/2/75	11/2/75	B
SIZE	CODE	NUMBER	REV.	
K	CS	118750-0-1		
		SHO		

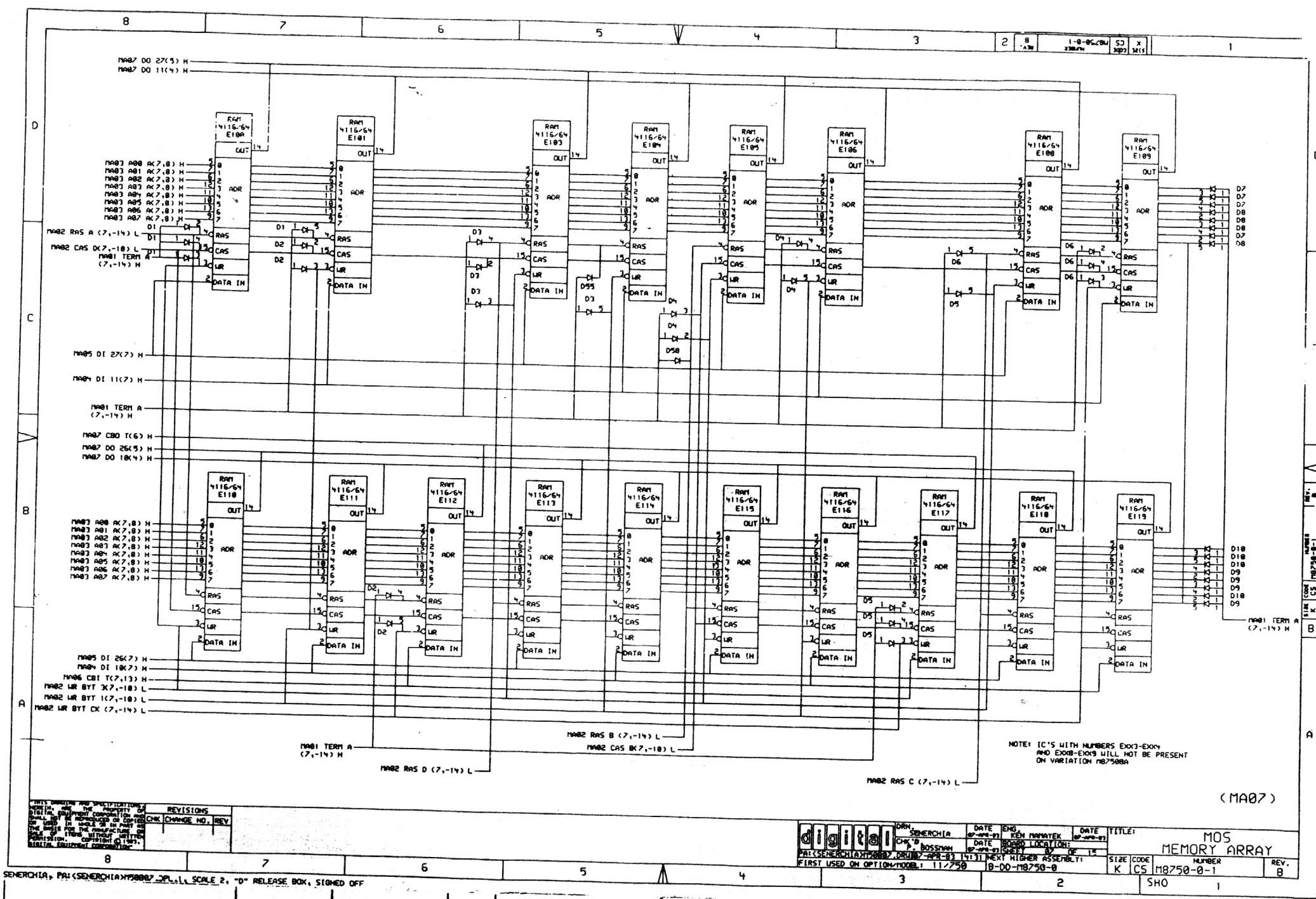
SENARCHIA, PA1 (SENARCHIA) MA05.DPL-1, SCALE 2, "D" RELEASE BOX, SIGNED OFF



REV	DATE	BY	CHK	CHANGE NO.	REV

digital	DRN	SENERCHIA	DATE ENG	DATE	TITLE
	CHK'D	BOSSMAN	DATE		
FIRST USED ON OPTION MODEL: 117750					
SIZE	CODE	NUMBER	REV.		
K	CS	M8750-0-1	B		

SENERCHIA, PAI<SENERCHIA>M8750-0-1, SCALE 2, "D" RELEASE BOX, SIGNED OFF



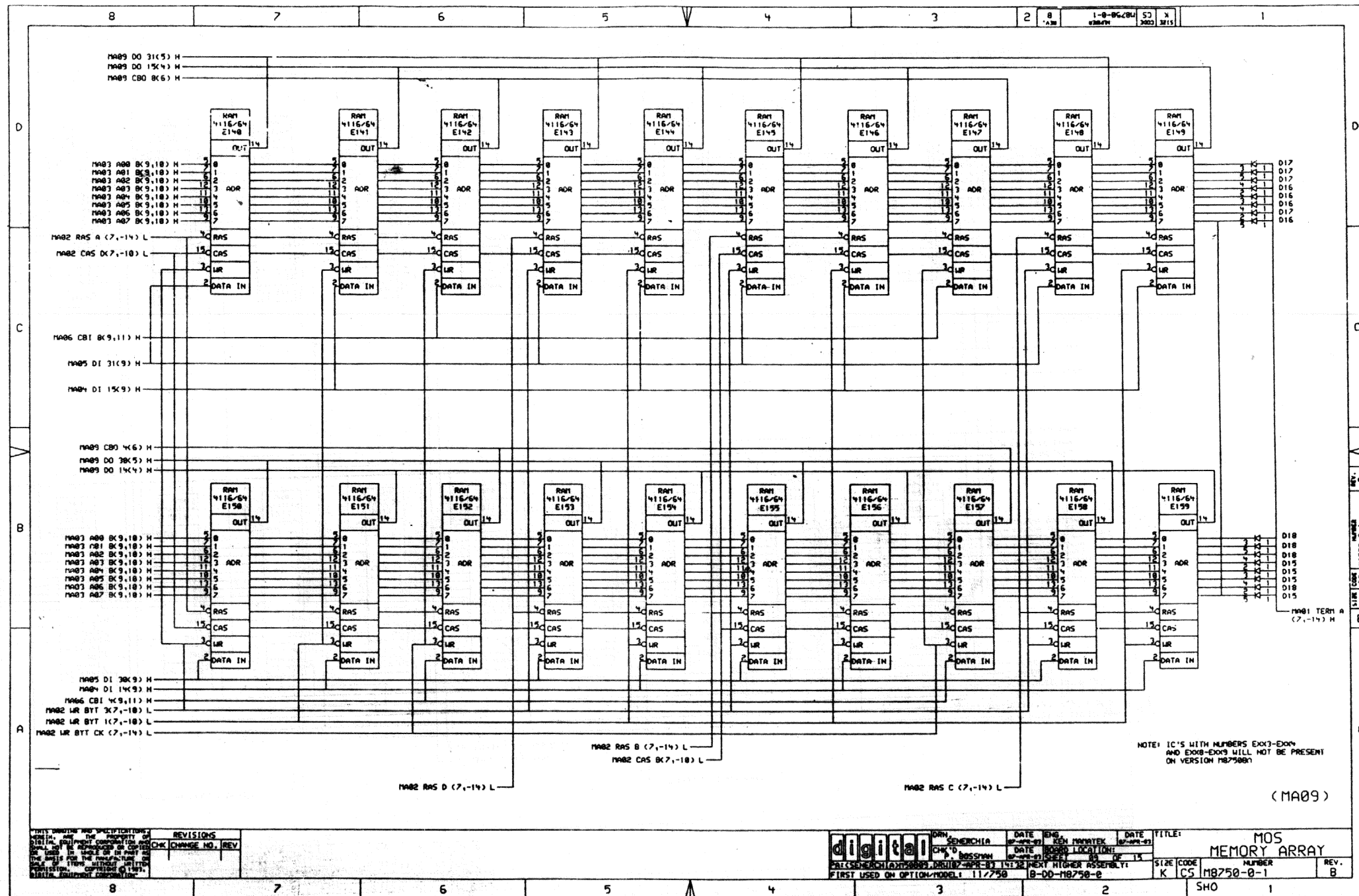
REVISIONS

CHK	CHANGE NO.	REV.

<b>digital</b>	DATE: 11/75	ENG: SENNERCHIA	DATE: 11/75	REV: 1	DATE: 11/75	REV: 1	TITLE: MOS MEMORY ARRAY
FIRST USED ON OPTION NUMBER: 11/75		DATE: 11/75		DATE: 11/75		DATE: 11/75	
SIZE: K		CODE: CS		NUMBER: MA8750-0-1		REV: B	

SENERCHIA, PA: (SENERCHIA) MA8750-0-1 SCALE 2, "D" RELEASE BOX, SIGNED OFF



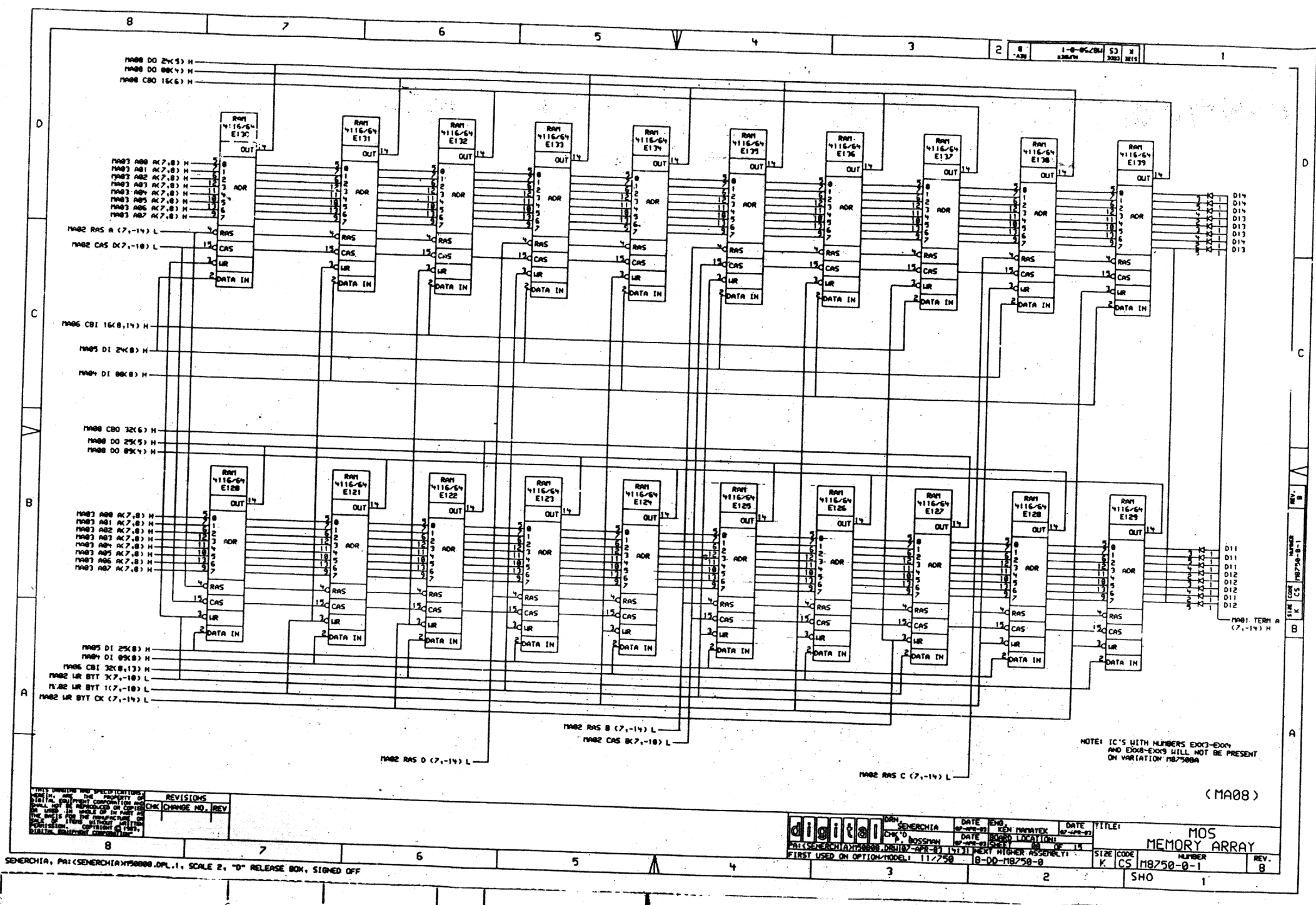


SENERCHIA, PA1<SENERCHIA>M5889.DPL 1, SCALE 2, "D" RELEASE BOX, STIGHED OFF

REV	DATE	DESCRIPTION
1		

REV	DATE	DESCRIPTION
1		

digital	DATE: 11/7/58	FILE: MOS MEMORY ARRAY
SENERCHIA	DATE: 11/7/58	SIZE CODE: K
CHK'D: BOSMAN	DATE: 11/7/58	NUMBER: CS M8750-0-1
DATE: 11/7/58	DATE: 11/7/58	REV: B
DATE: 11/7/58	DATE: 11/7/58	REV: B

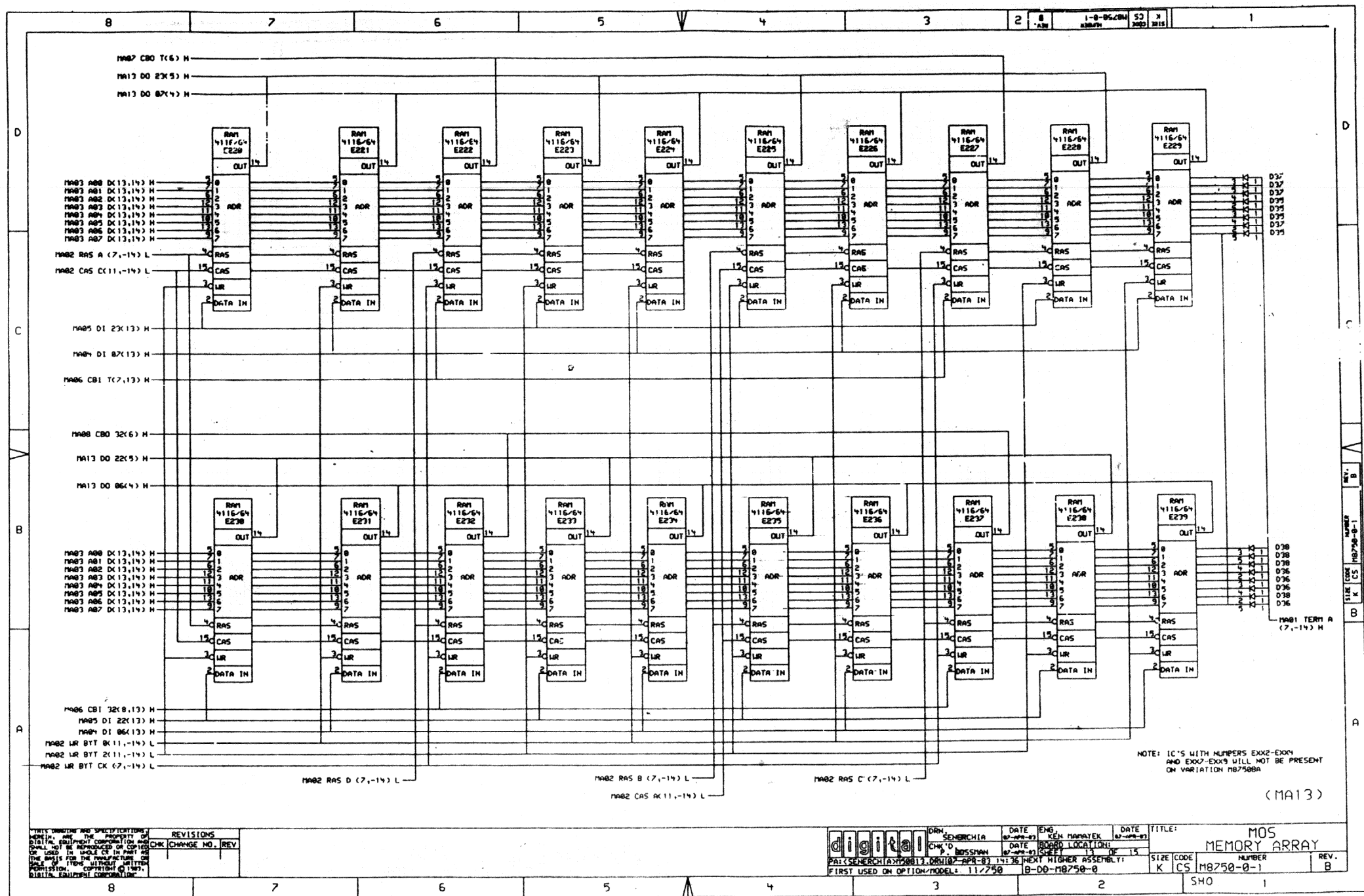


SEMERCHIA, PA: (SEMERCHIA)M59888.DPL.1, SCALE 2, "D" RELEASE BOX, SIGNED OFF









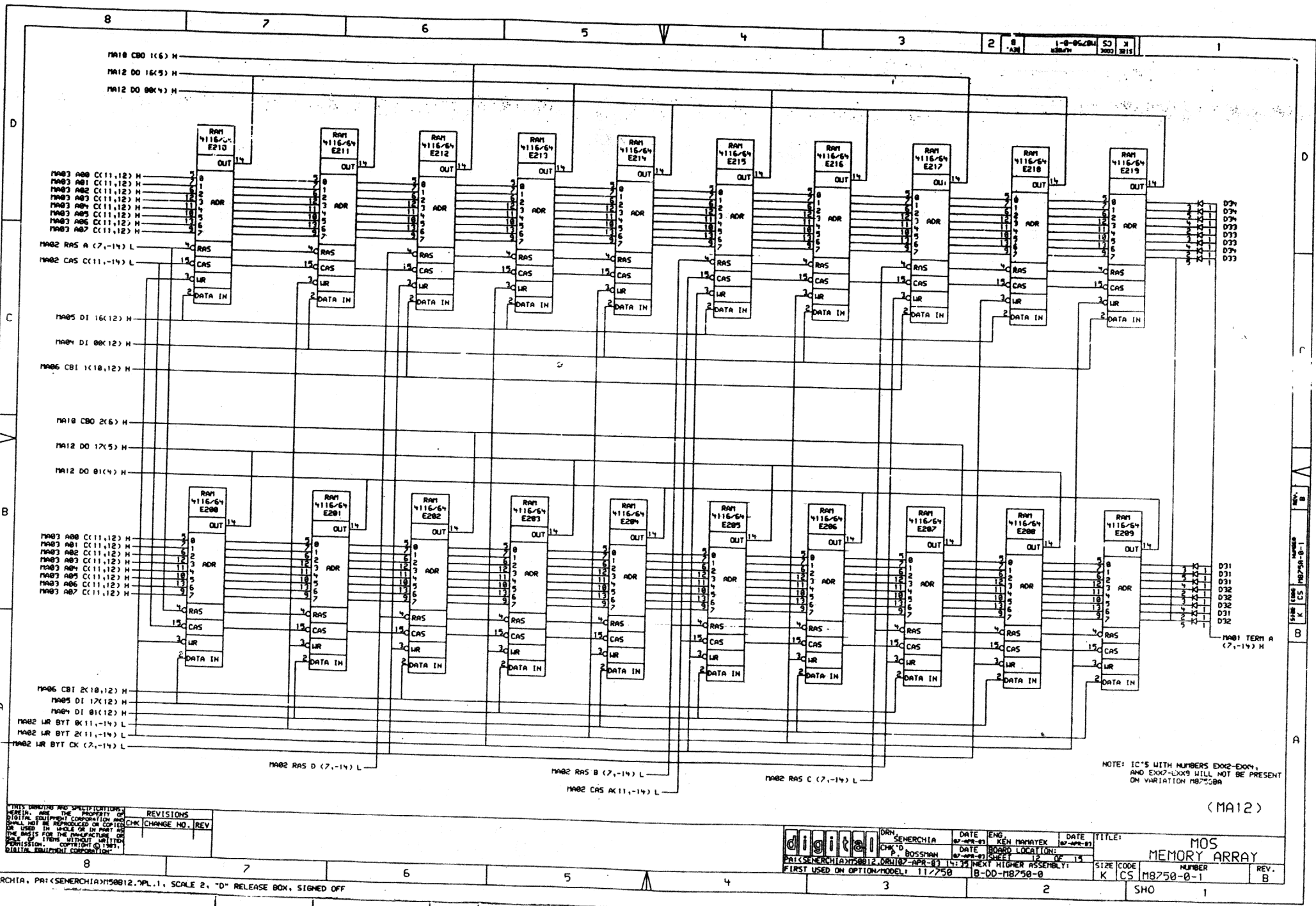
THIS DRAWING AND SPECIFICATIONS ARE THE PROPERTY OF DIGITAL EQUIPMENT CORPORATION AND SHALL NOT BE REPRODUCED OR COPIED IN ANY MANNER WITHOUT THE WRITTEN PERMISSION OF DIGITAL EQUIPMENT CORPORATION.

REV.	CHG.	CHANGE NO.	REV.

DATE	ENG.	DATE	FILE:
02-09-81	KEN MARATEK	02-09-81	540
DATE	BOARD LOCATION	DATE	FILE:
02-09-81		02-09-81	540
DATE	DATE	DATE	FILE:
02-09-81	02-09-81	02-09-81	540
DATE	DATE	DATE	FILE:
02-09-81	02-09-81	02-09-81	540
DATE	DATE	DATE	FILE:
02-09-81	02-09-81	02-09-81	540

NOTE: IC'S WITH NUMBERS EX02-EX04 AND EX07-EX09 WILL NOT BE PRESENT ON VARIATION 187508A

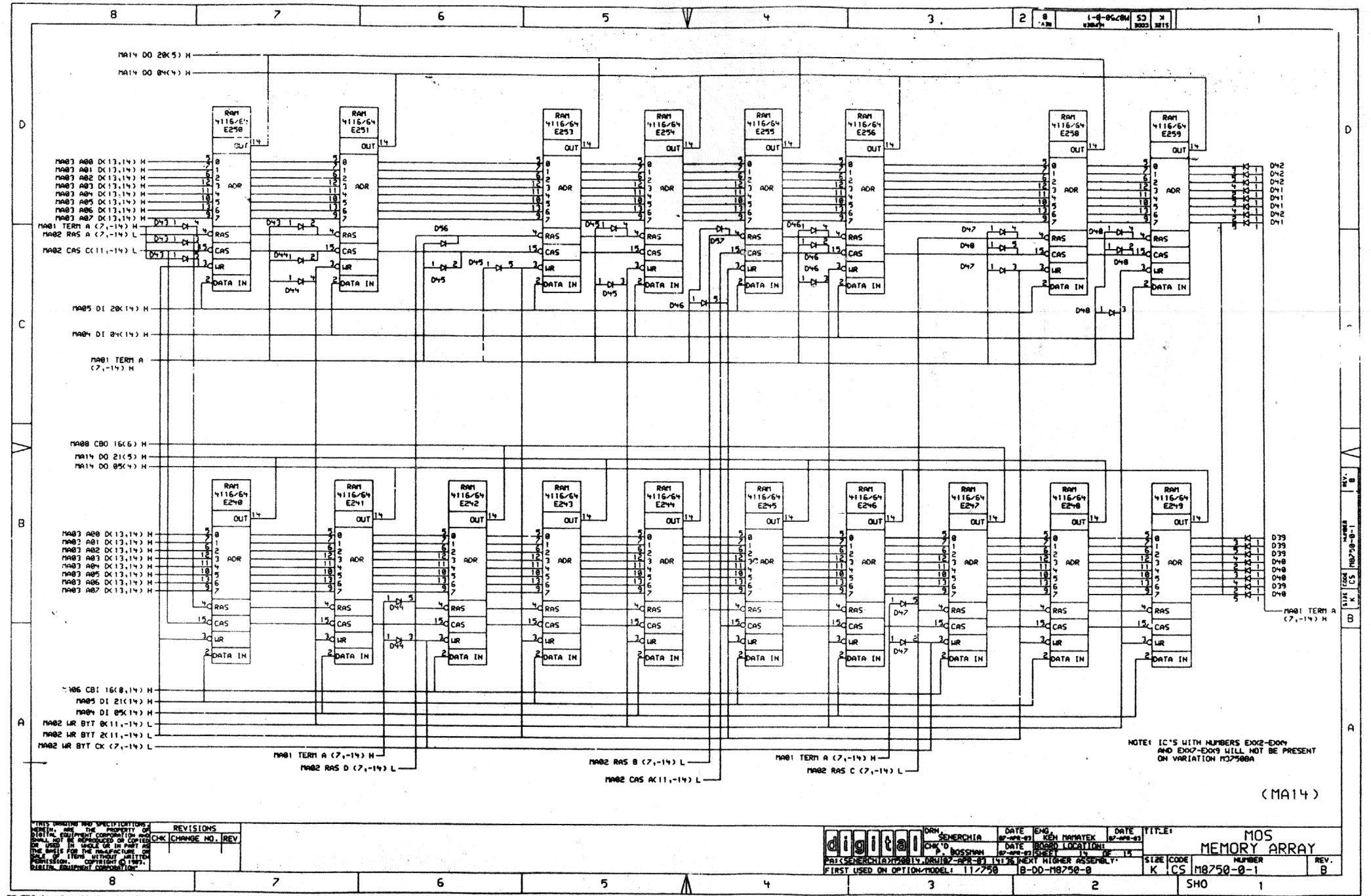
(MA13)



THIS DRAWING AND SPECIFICATIONS ARE THE PROPERTY OF DIGITAL EQUIPMENT CORPORATION AND SHALL NOT BE REPRODUCED OR COPIED OR USED IN WHOLE OR IN PART AS THE BASIS FOR THE MANUFACTURE OR SALE OF ITEMS WITHOUT WRITTEN PERMISSION. COPYRIGHT © 1974 DIGITAL EQUIPMENT CORPORATION

REVISIONS	CHK	CHANGE NO.	REV

	DATE: 11/7/75 FIRST USED ON OPTION/MODEL: B-DD-MB750-0	ENG: BOSSMAN DATE: 12/15/75 NEXT HIGHER ASSEMBLY: B-DD-MB750-0	DATE: 12/15/75 DATE: 12/15/75	TITLE: MOS MEMORY ARRAY	SIZE: K CODE: CS	NUMBER: MB750-0-1	REV: B
	DRN: SENERCHIA CHK: BOSSMAN	DATE: 12/15/75 DATE: 12/15/75	DATE: 12/15/75 DATE: 12/15/75	DATE: 12/15/75 DATE: 12/15/75	TITLE: MOS MEMORY ARRAY	SIZE: K CODE: CS	NUMBER: MB750-0-1



REVISIONS	CHK	CHANGE NO.	REV

digital	DATE	ENG	DATE	YTF:EI
	11/7/58	BOSSMAN	11/7/58	
FIRST USED ON OPTION MODEL: 11/7/58		18-00-18750-0		
SIZE	CODE	NUMBER	REV.	
K	CS	18750-0-1	B	

SENERCHIA, PAI (SENERCHIA) 18750-0-1, SCALE 2, "D" RELEASE BOX, SIGNED OFF

