

DRAWING
 TITLE=DSB32
 ABBREV=DSB
 LAST MODIFIED=Wed Jan 11 14:41:03 1989

DSB32 TOP LEVEL BLOCK DIAGRAM

REV	REV	REV	REV
OK	CHANGE NO.	REV	

REV	REV	REV	REV
OK	CHANGE NO.	REV	

digital
 FOR LEAD ON OPTION MODEL

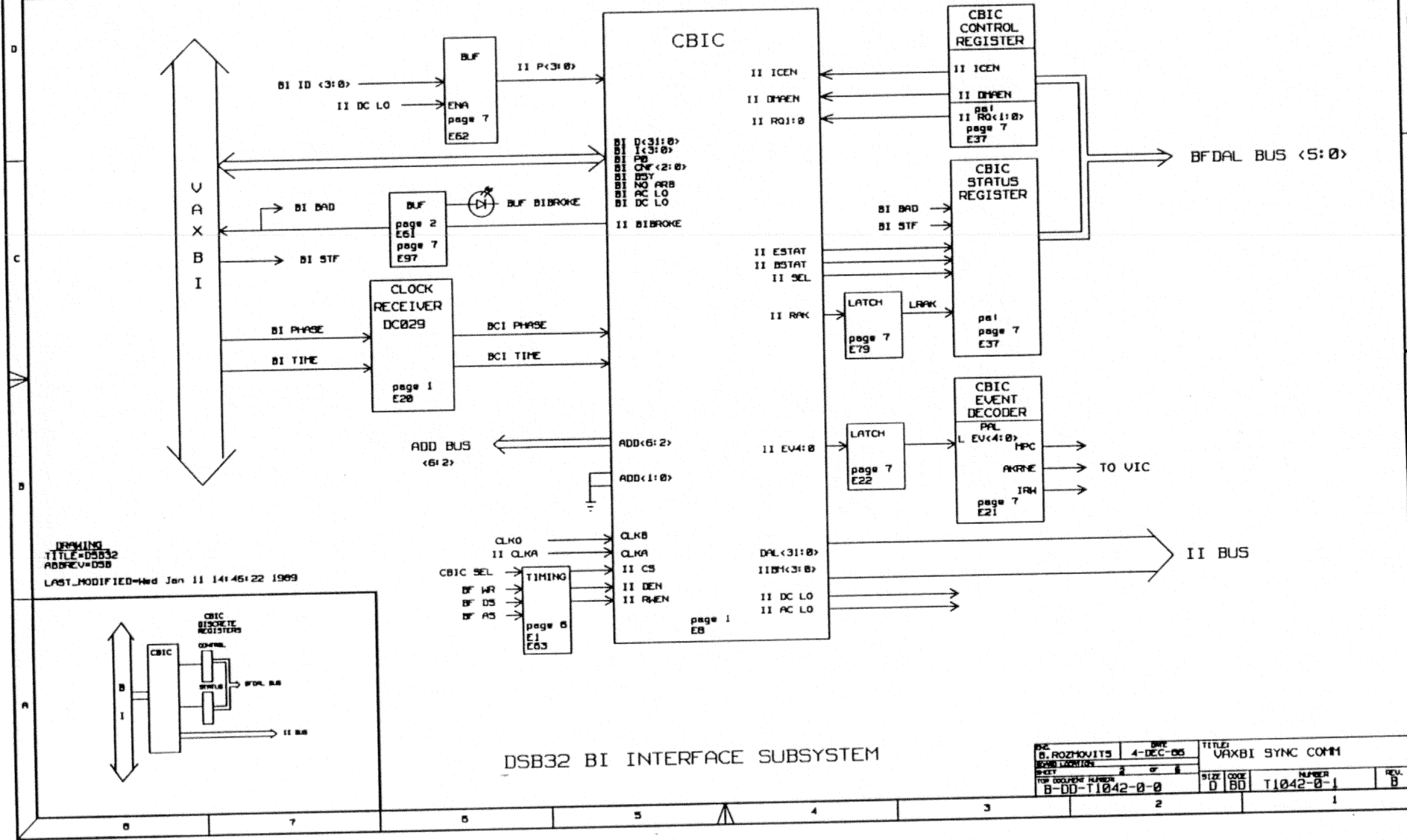
DESIGNED BY	B. ROZHOVITS	DATE	4-DEC-86
CHECKED BY	R. A. SANDSON	DATE	2-OCT-87

DESIGNED BY	B. ROZHOVITS	DATE	4-DEC-86
CHECKED BY		DATE	
FOR DOCUMENT NUMBER	B-DD-T1042-0-0		

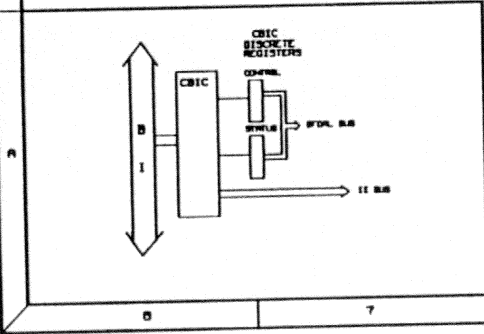
TITLE	VAXBI SYNC COMM		
SIZE	D	CODE	BD
NUMBER	T1042-0-1		
REV.	B		

B D B D T1042-0-1

THIS DRAWING IS UNCLASSIFIED
DATE 11-11-2011 BY 60322 UCBAW/BJS
EXEMPT FROM AUTOMATIC
DECLASSIFICATION

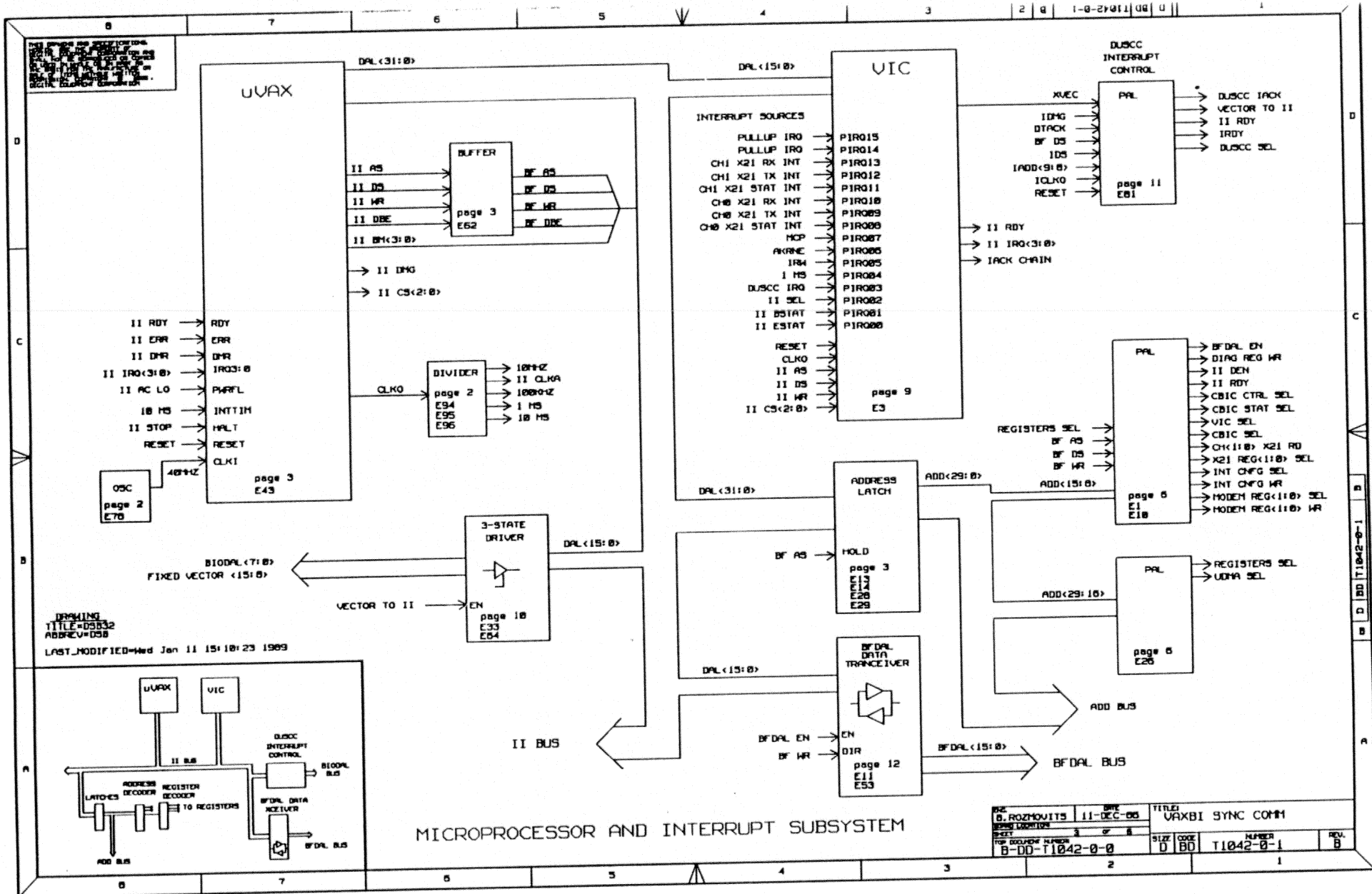


DRAWING
TITLE=DSB32
ADDRESS=DSB
LAST_MODIFIED=Wed Jan 11 14:46:22 1989



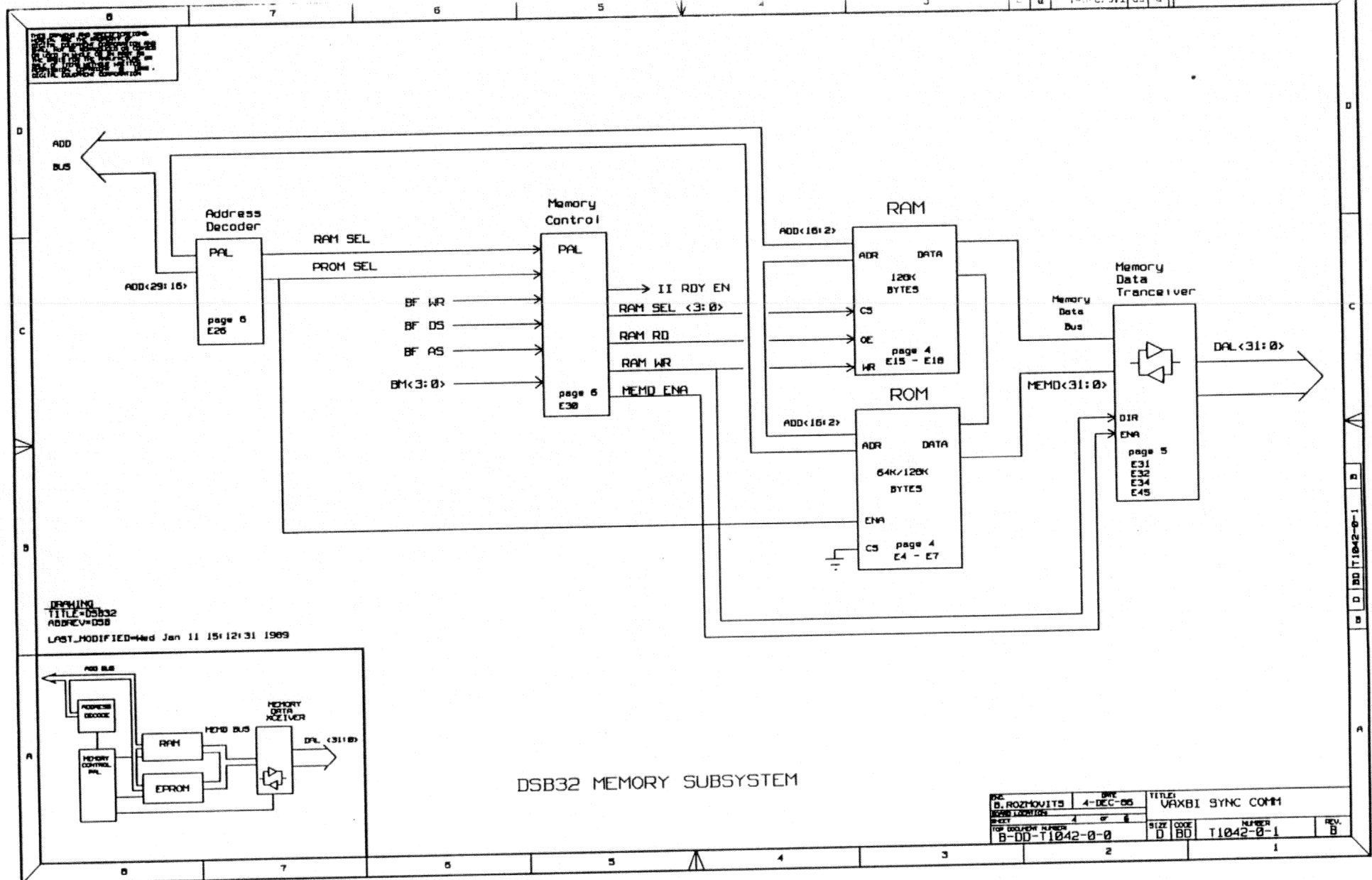
DSB32 BI INTERFACE SUBSYSTEM

DESIGNER	DATE	TITLE
B. ROZHOVITS	4-DEC-85	VAXBI SYNC COMM
DESIGN CHECKED		
BY	2 OF 8	
TOP GROUP NUMBER	SHEET CODE	NUMBER
B-DD-T1042-0-0	D BD	T1042-0-1
		REV. B



DRAWING
TITLE=05832
ABREV=DSB
LAST_MODIFIED=Wed Jan 11 15:10:23 1989

DESIGNER	B. ROZHOVITS	DATE	11-DEC-85	TITLE	VAXBI SYNC CONT		
DESIGN LOCATION							
SHEET	3	OF	8				
FOR DOCUMENT NUMBER	B-DD-T1042-0-0	SHEET CODE	0	BD	NUMBER	T1042-0-1	REV.
							B

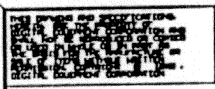
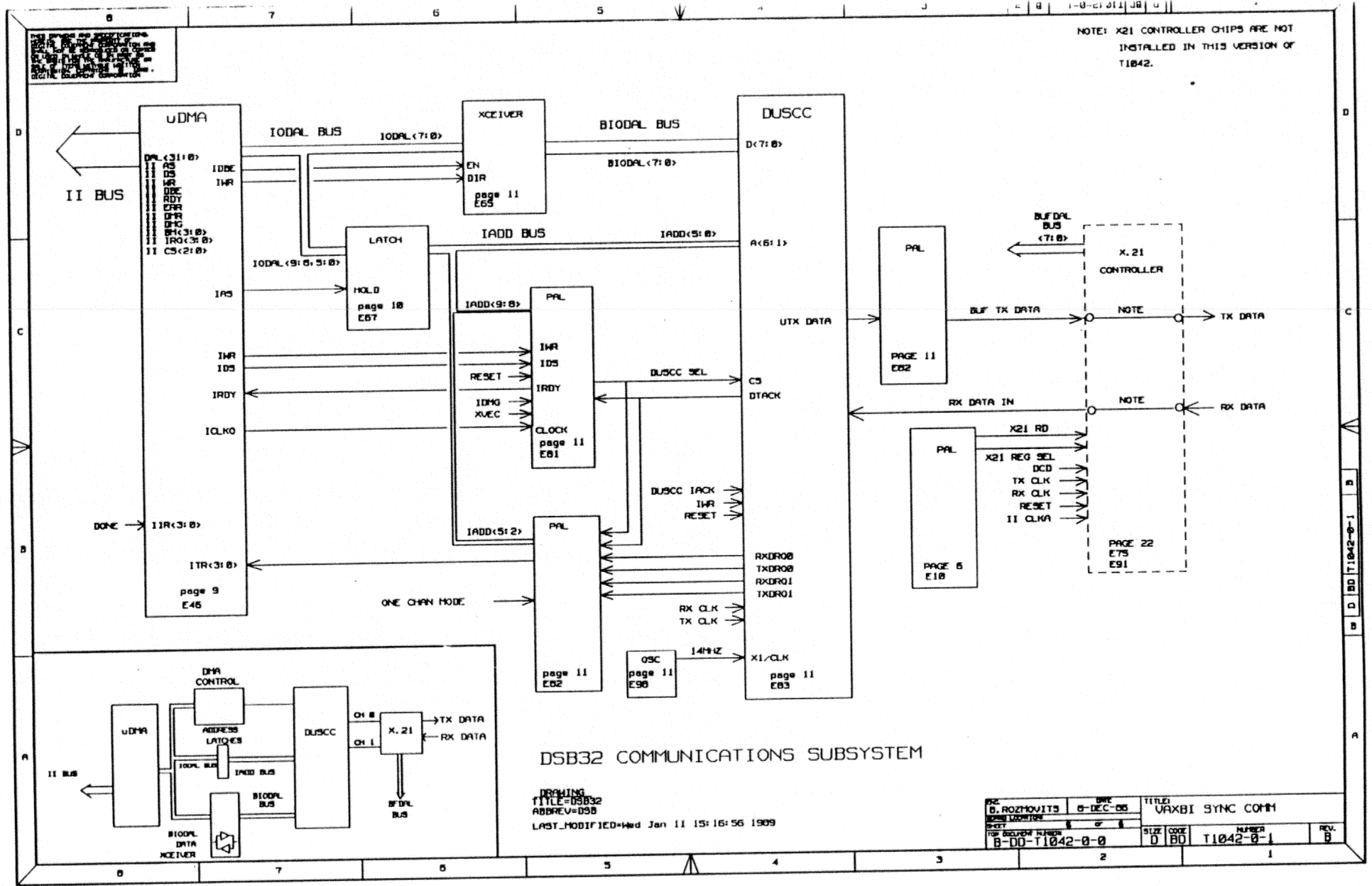


DRAWING
 TITLE=DSB32
 ABBREV=DSB
 LAST_MODIFIED=Wed Jan 11 15:12:31 1989

DSB32 MEMORY SUBSYSTEM

ENC	D. ROZHOVITS	DATE	4-DEC-85	TITLE	VAXBI SYNC COMM
ISSUE	1	LOCATIONS	4	SIZE	D 80
TOP DOCUMENT NUMBER	B-DD-T1042-0-0	NUMBER	T1042-0-1	REV.	B

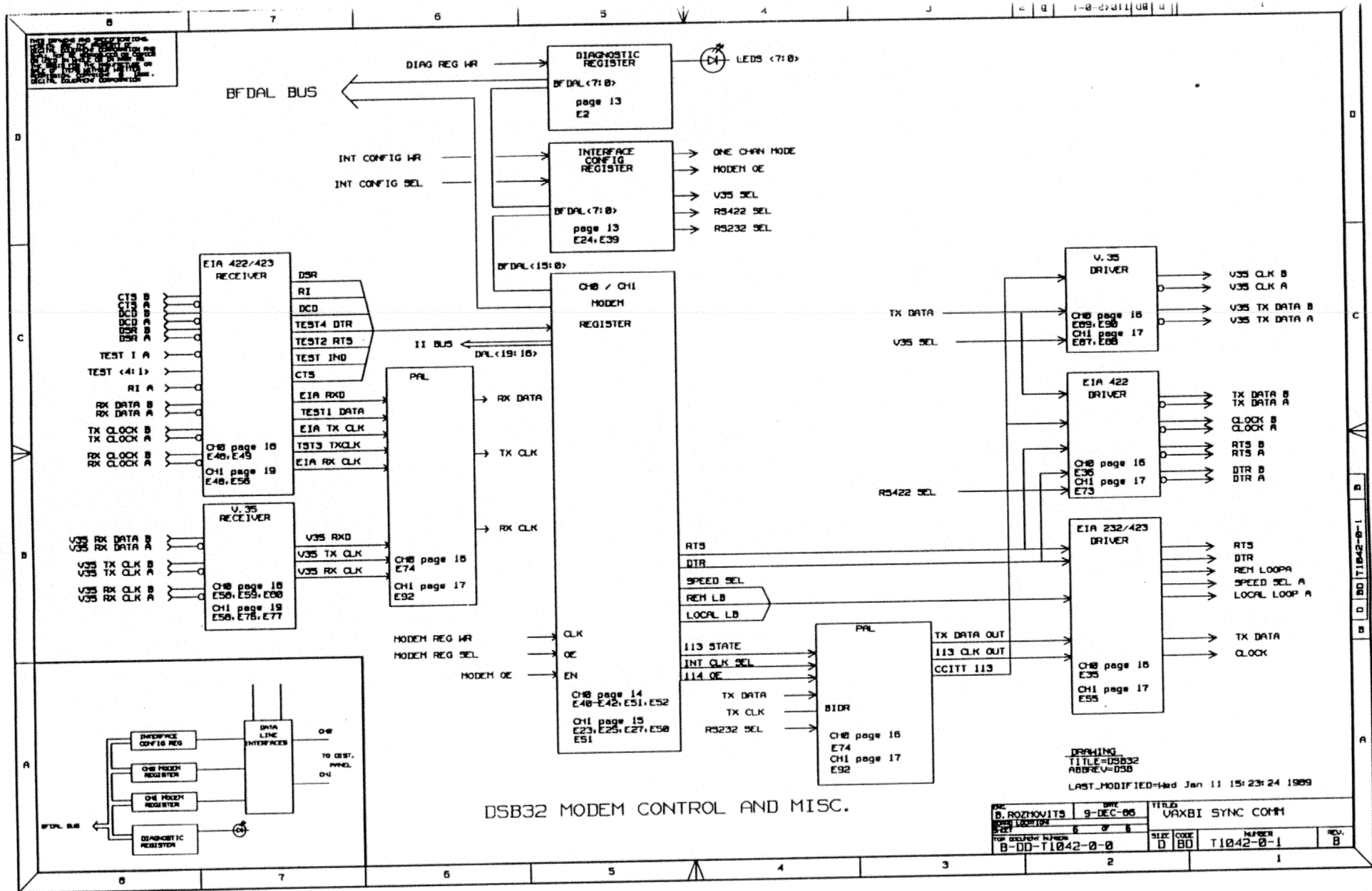
NOTE: X21 CONTROLLER CHIPS ARE NOT INSTALLED IN THIS VERSION OF T1042.



DSB32 COMMUNICATIONS SUBSYSTEM

DRAWING
 TITLE=DSB32
 ABBREV=DSB
 LAST_MODIFIED=Wed Jan 11 15:16:56 1989

DESIGNER	DATE	TITLE	REV.
B. ROZMOVITS	8-DEC-85	VAXBI SYNC COMM	0
DESIGN CHECKED			
TOP DRAWING NUMBER	SIZE	CODE	NUMBER
B-DD-T1042-0-0	0	BD	T1042-0-1



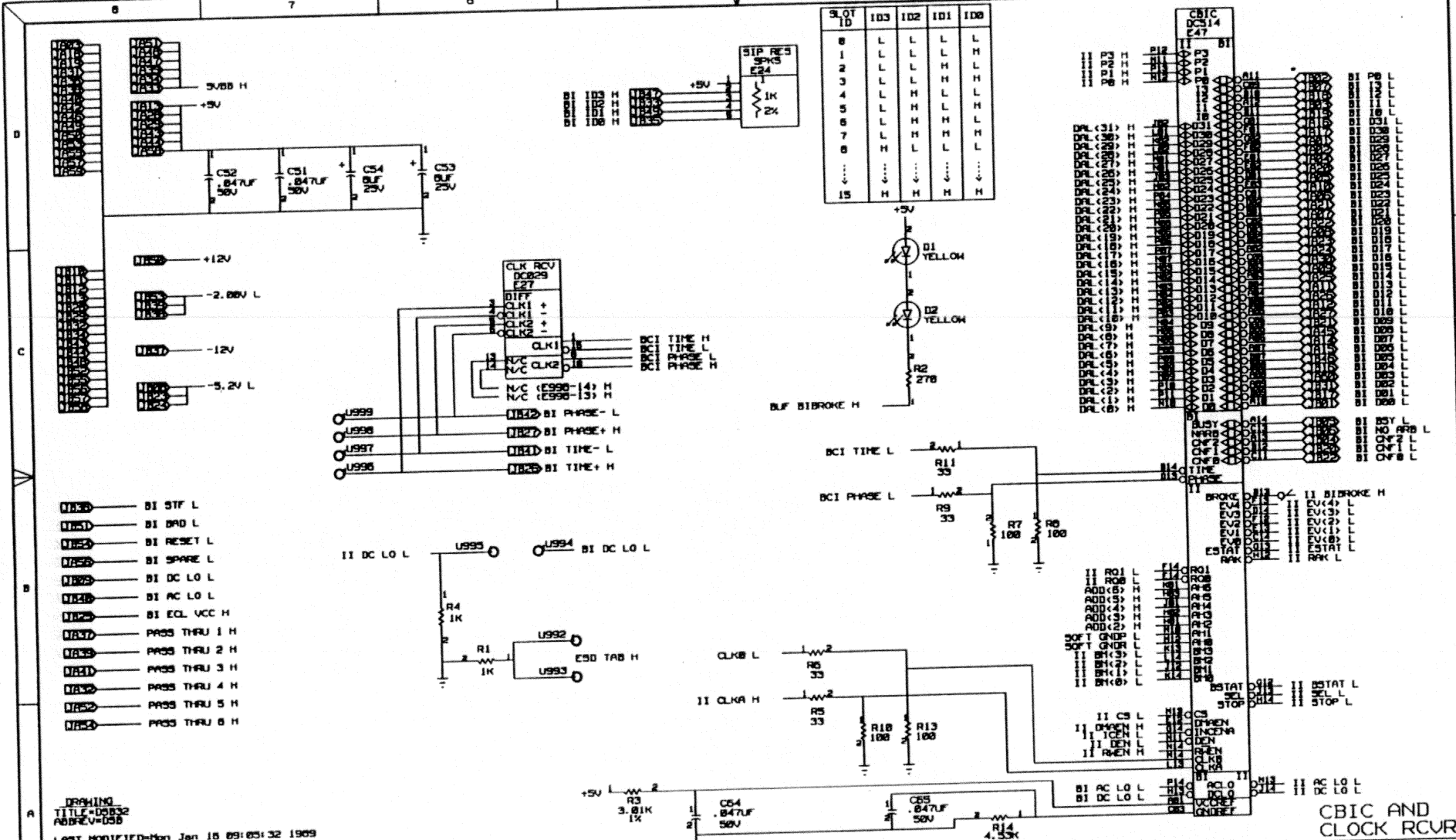
DRAWING
 TITLE-DSB32
 ABBREV-DSB
 LAST MODIFIED: Wed Jan 11 15:23:24 1989

DESIGNER	DATE	TITLE	REV.
B. ROZHOVITS	9-DEC-85	VAXBI SYNC COMM	B
DESIGN LOCATION	5 OF 5	SIZE	CODE
B-DD-T1042-0-0		D	BD
PROJECT NUMBER		NUMBER	
B-DD-T1042-0-1		T1042-0-1	

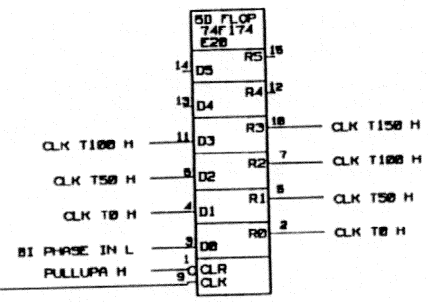
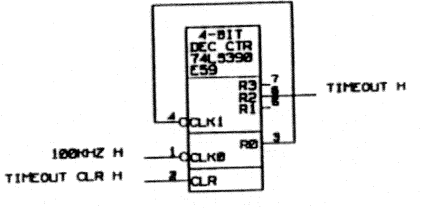
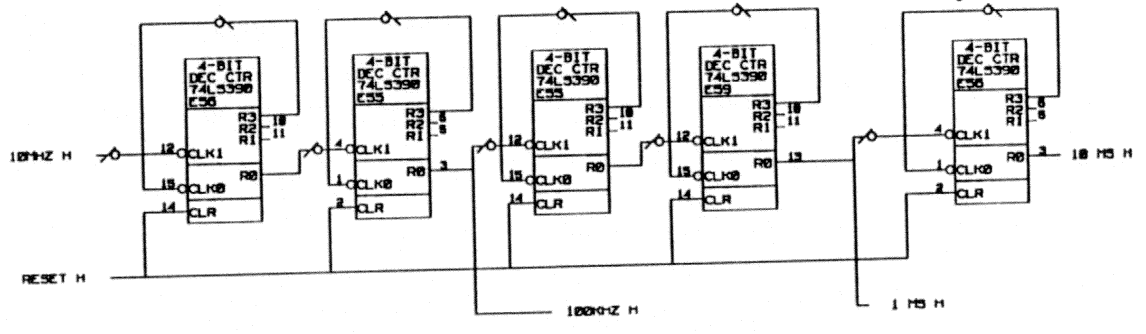
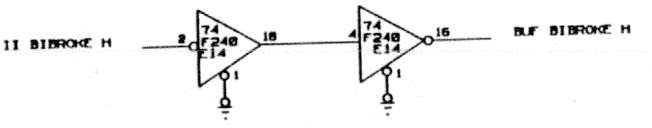
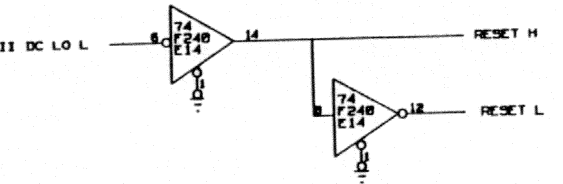
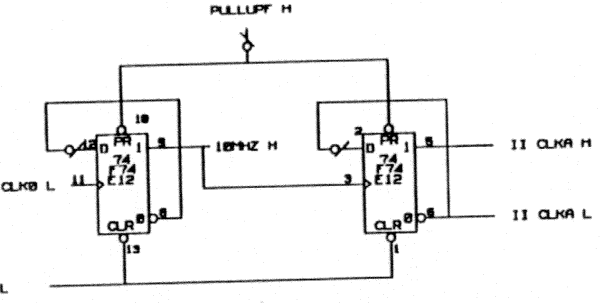
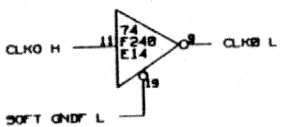
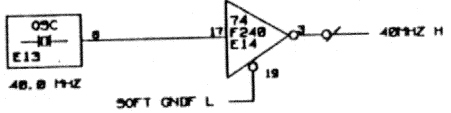
DRAWING
 TITLE=DSB32
 ADDR=DSB
 LAST_MODIFIED=Mon Jan 15 09:05:32 1989

**CBIC AND
 CLOCK RCVR**

DESIGNER: K. CLEMONS		DATE: 29-OCT-86	BY: B. ROZMOVITS	DATE: 29-OCT-86	TITLE: (DSB32) LFXBI SYNC COMM
DESIGN NO: B-DD-11042-0-0			REV: 01 OF 28		SIZE: D
PART NO: B-DD-11042-0-0			REV: 01 OF 28		CODE: CS
FORM NO: 6011-108-01			REV: 01 OF 28		ISSUE: 1



THIS DRAWING IS THE PROPERTY OF
 THE UNITED STATES GOVERNMENT
 AND IS LOANED TO YOUR ORGANIZATION
 IT IS TO BE REPRODUCED AS SHOWN
 AND IS NOT TO BE DISTRIBUTED OUTSIDE
 YOUR ORGANIZATION WITHOUT THE
 EXPRESS WRITTEN PERMISSION OF
 THE NATIONAL BUREAU OF STANDARDS
 DIGITAL LABORATORY

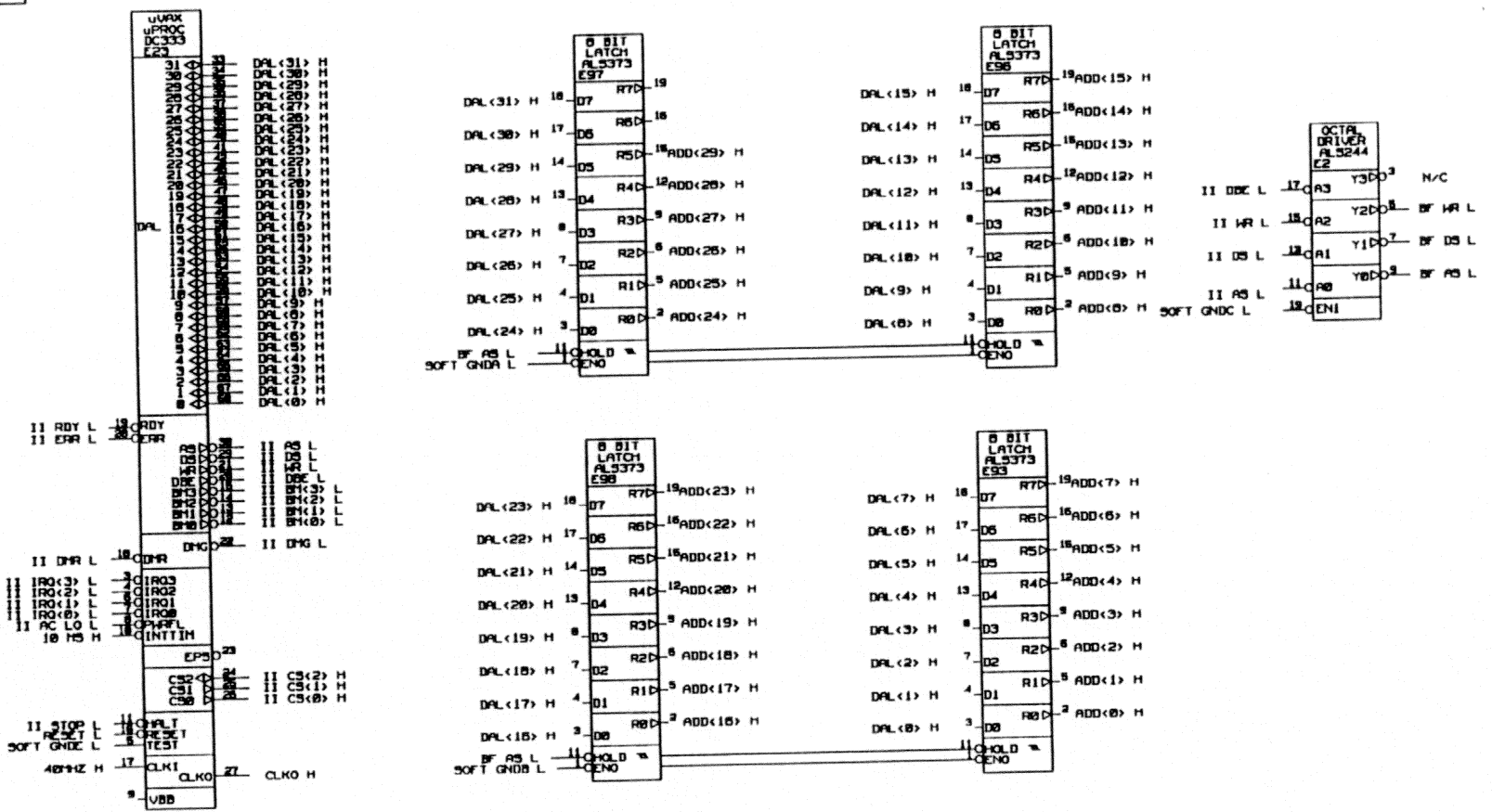


CLOCKS

DRAWING
 TITLE=DSB32
 ABBREV=DSB
 LAST MODIFIED=Mon Jan 18 09:06:29 1995

DESIGNER	DATE	TITLE	REV.
B. ROZHOVITS	04-SEP-86	(DSB32)	B
ISSUE	OF	PROJECT	
2	28	VAXBI SYNC COMM	
FOR DRAWING NUMBER	SIZE	CODE	NUMBER
B-DD-T1042-0-0	D	CS	T1042-0-1

THIS DRAWING IS THE PROPERTY OF
 THE UNITED STATES GOVERNMENT
 AND IS LOANED TO YOU BY THE
 NATIONAL BUREAU OF STANDARDS
 GAITHERSBURG, MARYLAND 20899



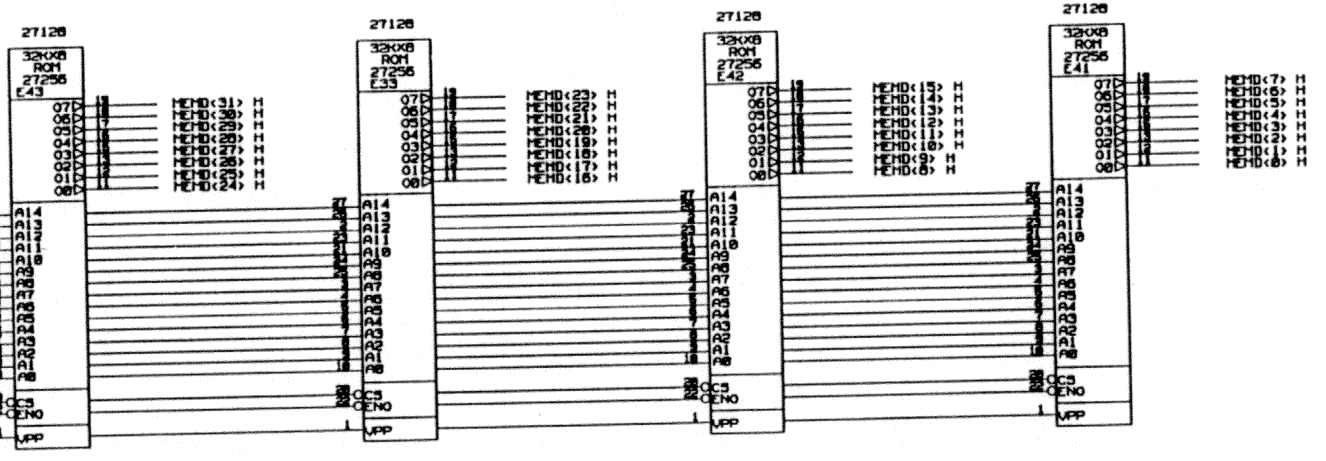
VVAX AND
 ADDRESS LATCH

DRAWING
 TITLE=DSB32
 ABBREV=DSB
 LAST_MODIFIED=Mon Jan 16 09:53:20 1989

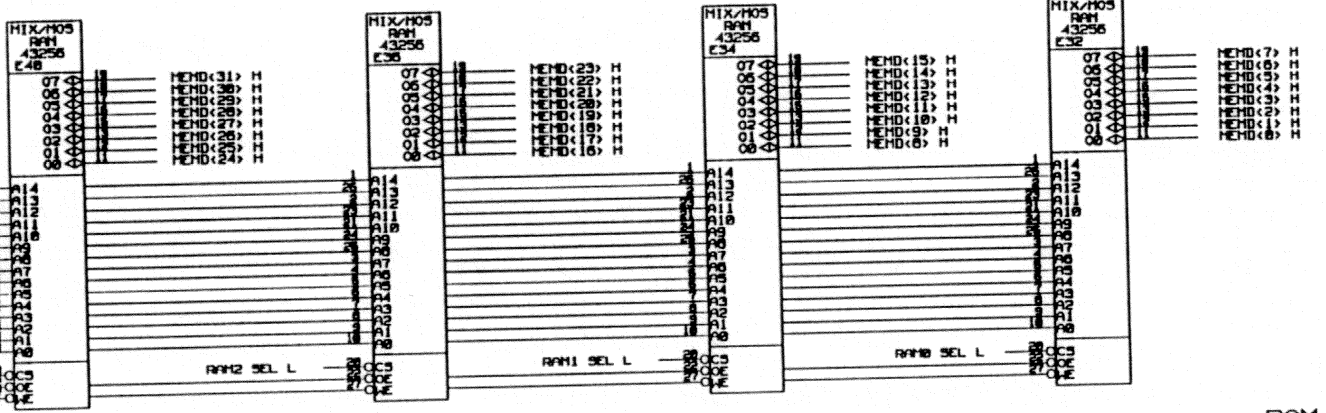
DESIGNER	DATE	TITLE	NUMBER	REV.
B. ROZMOVITS	29-JUG-88	(DSB32) VVAXBI SYNC COMM		B
ISSUE	OF	SIZE	CODE	
3	26	D	C5	
JOB DOCUMENT NUMBER		T1042-0-1		
B-00-T1042-0-0				

THIS DRAWING IS UNCLASSIFIED
DATE 10/15/98 BY 60322 UCBAW/STP
EXEMPT FROM AUTOMATIC
DECLASSIFICATION
DATE 10/15/98 BY 60322 UCBAW/STP

SEE NOTE 1
HI
ADD<15> H
ADD<14> H
ADD<13> H
ADD<12> H
ADD<11> H
ADD<10> H
ADD<9> H
ADD<8> H
ADD<7> H
ADD<6> H
ADD<5> H
ADD<4> H
ADD<3> H
ADD<2> H
SOFT 0H00 L
FROM SEL L
+5V



ADD<15> H
ADD<14> H
ADD<13> H
ADD<12> H
ADD<11> H
ADD<10> H
ADD<9> H
ADD<8> H
ADD<7> H
ADD<6> H
ADD<5> H
ADD<4> H
ADD<3> H
ADD<2> H
RAM2 SEL L
RAM1 SEL L
RAM0 SEL L



RAM AND ROM MEMORY

NOTE 1.
JUMPER OUT WITH 16K X 8 EPROMS (27128)
JUMPER IN WITH 32K X 8 EPROMS (27256)

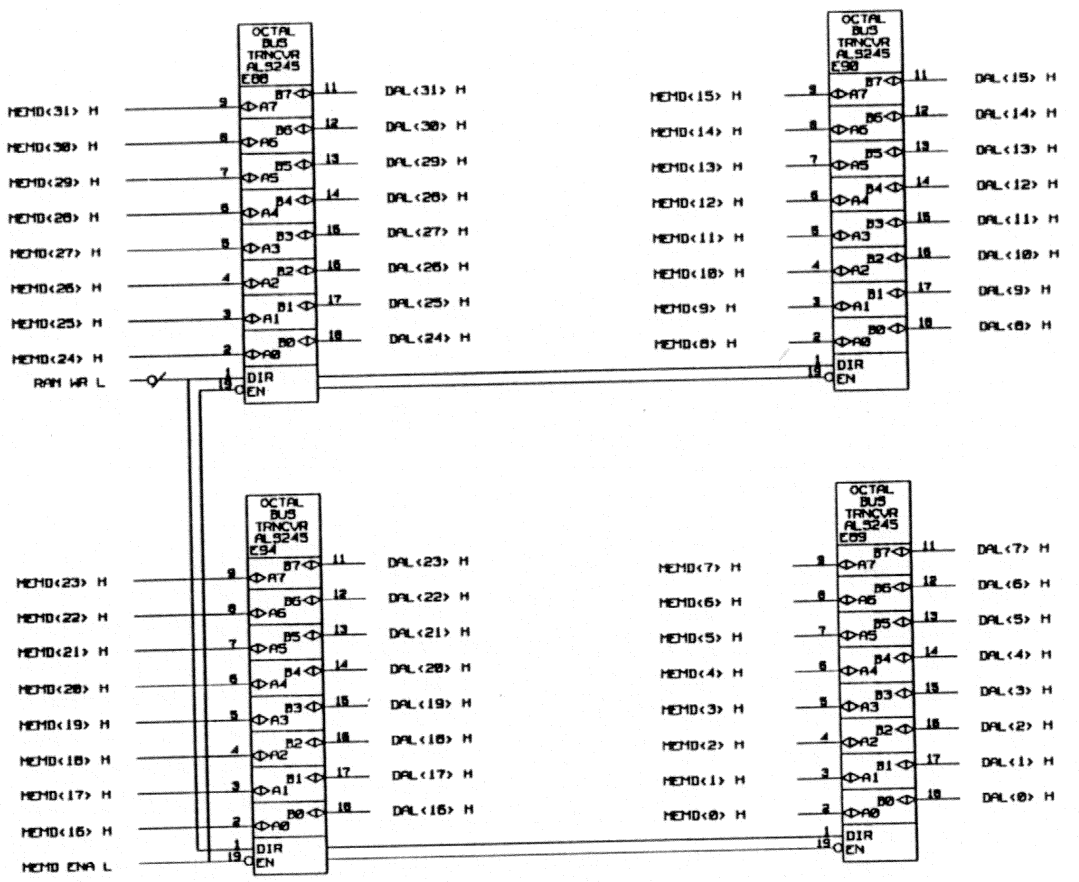
DRAWING
TITLE=05B32
ABREV=05B

LAST_MODIFIED=Mon Jan 16 09:54:17 1989

BY B. ROZMOVITS	DATE 0-SEP-85	TITLE (05B32)	REV. B
ISSUE LOCATION 1	SIZE D	CODE CS	NUMBER T1042-0-1
FOR DRAWING NUMBER B-DD-T1042-0-0			

B D D C T1042-0-1

THIS DRAWING AND SPECIFICATION
 SHALL BE THE PROPERTY OF THE
 U.S. GOVERNMENT AND SHALL BE
 LOANED TO YOU BY THE U.S. GOVERNMENT
 UNDER CONTRACT NUMBER DA-36-069-AMC-0000
 IT IS TO BE RETURNED TO THE U.S. GOVERNMENT
 OFFICE OF THE ASSISTANT SECRETARY
 FOR ACQUISITION (ASST. SEC. FOR ACQ.)
 WASHINGTON, D.C. 20301



MEMORY DATA
 XCVR <31:0>

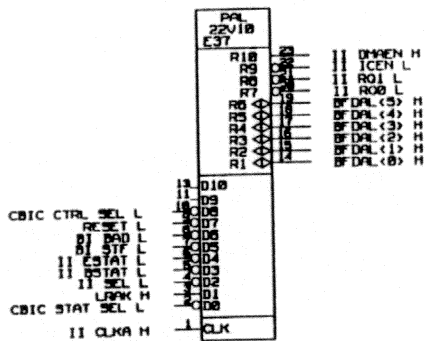
DRAWING
 TITLE=DSB32
 ABBREV=DSB
 LAST_MODIFIED=Mon Jan 16 09:56:39 1989

DESIGNER D. ROZIMOVITS	DATE 84-SEP-86	TITLE (DSB32)
ISSUE LOCATION 8 of 26	PROJECT B-DD-T1042-0-0	NUMBER UAXBT SYNC COMM
SIZE B-DD-T1042-0-0	CODE D CS	REV. B

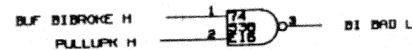
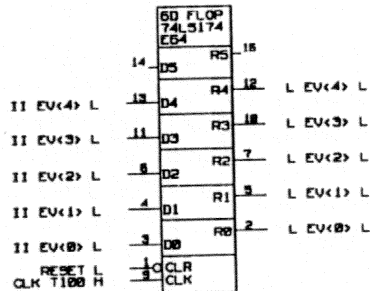
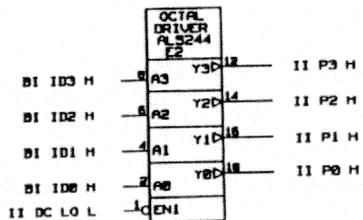
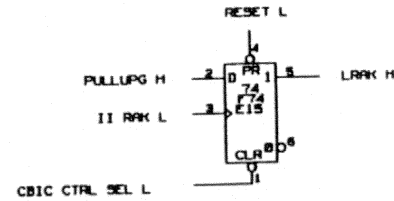
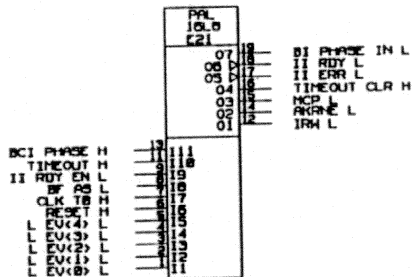
D
C
B
A
T1042-0-1

THIS DRAWING AND SPECIFICATION
 ARE THE PROPERTY OF THE U.S. GOVERNMENT
 AND ARE LOANED TO YOU BY THE U.S. GOVERNMENT
 AND ARE NOT TO BE DISTRIBUTED OUTSIDE YOUR
 ORGANIZATION WITHOUT THE EXPRESS WRITTEN
 PERMISSION OF THE U.S. GOVERNMENT
 DIGITAL EQUIPMENT CORPORATION

23-00210-00
 CBIC CTRL AND STATUS
 REGISTER
 40P



23-46675-00
 EVENT CODES
 & MISC

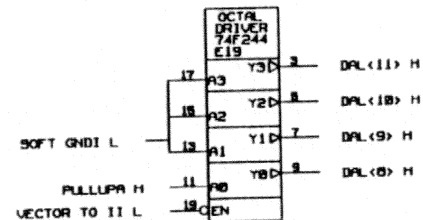
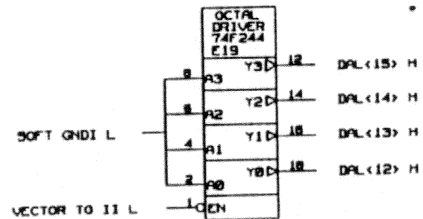
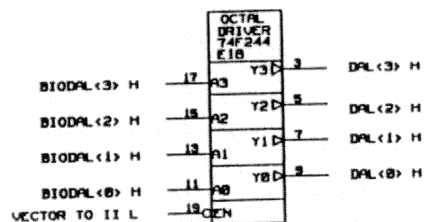
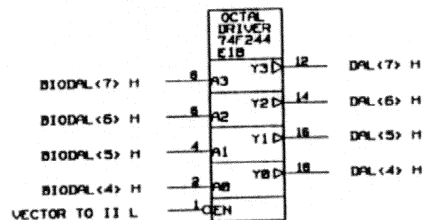
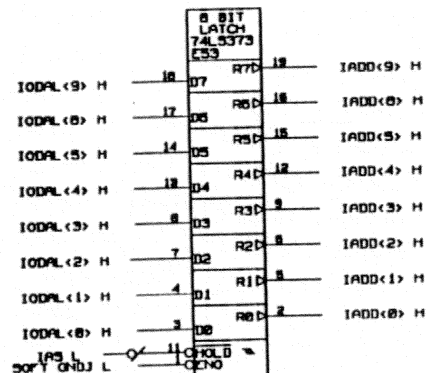


CBIC CONTROL &
 STATUS REGISTER
 (AND MISC.)

DRAWING
 TITLE: DSB32
 ABBREV: DSB
 LAST MODIFIED: Mon Jan 16 09:57:30 1989

DESIGNER B. ROZHOVITS	DATE 29-OCT-88	TITLE (DSB32)	REV. B
SCALE 7 OF 28		NUMBER T1042-0-1	
TOP SECRET/NO FORN DISSEM B-DD-T1042-0-0	SIZE D	CODE CS	

THIS DRAWING IS THE PROPERTY OF
 TEXAS INSTRUMENTS INCORPORATED
 AND IS NOT TO BE REPRODUCED OR
 TRANSMITTED IN ANY FORM OR BY
 ANY MEANS, ELECTRONIC OR MECHANICAL,
 INCLUDING PHOTOCOPYING, RECORDING,
 OR BY ANY INFORMATION STORAGE AND
 RETRIEVAL SYSTEM.

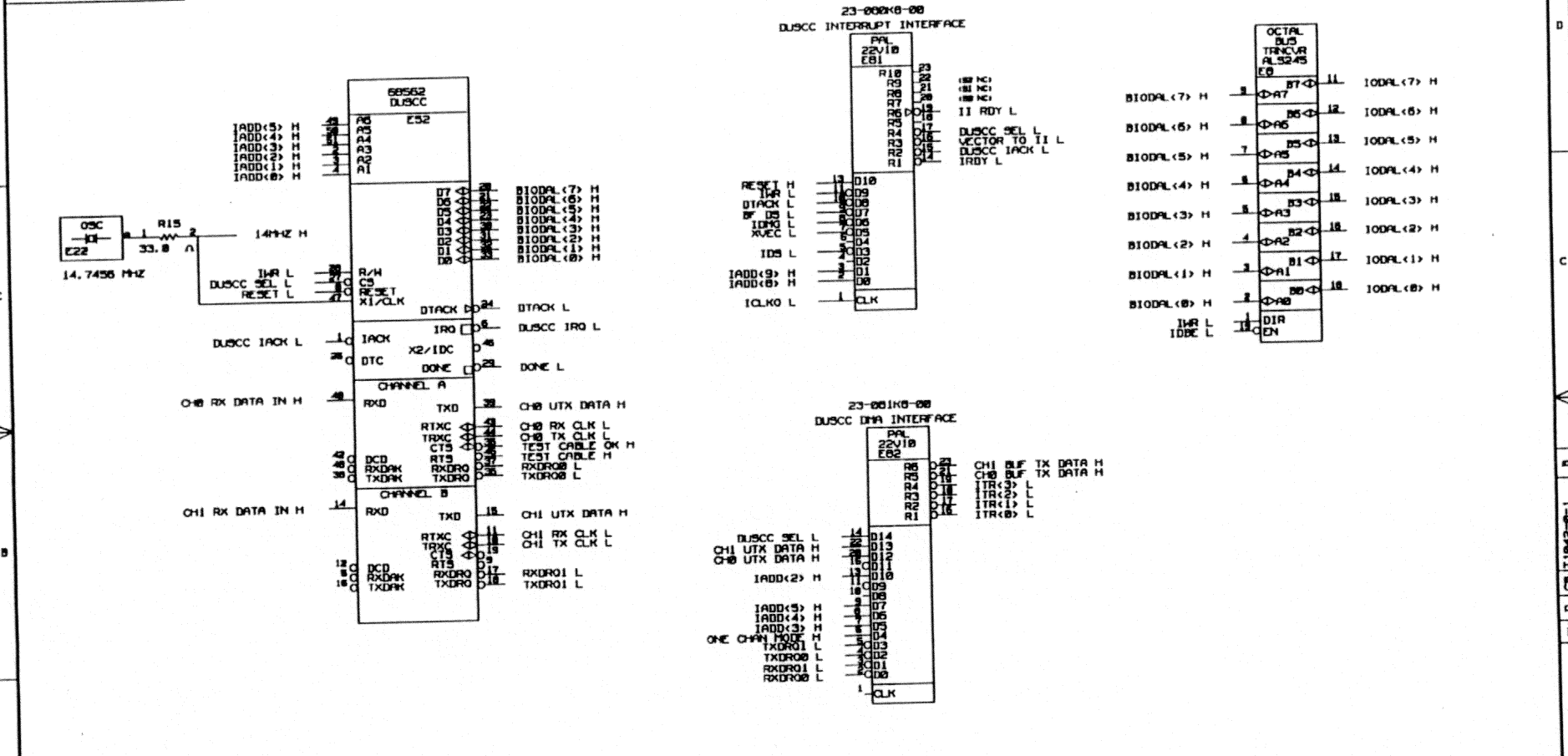


DUSCC INTERRUPT
IO DAL ADDRESS LATCHES

DRAWING
TITLE = DSB32
ABBREV = DSB
LAST MODIFIED = Mon Jan 16 09:59:56 1989

DR	B. ROZMOVITS	DATE	15-SEP-86	TITLE	(DSB32)
DESIGNER		DATE		PROJECT	LATCH SYNC COMM
SIZE	11	OF	26	SIZE (INCH)	
FOR DELIGHT NUMBER	B-DD-T1042-0-0	SIZE (MM)	D	COUNT	T1042-0-1
				NUMBER	
				REV.	B

THIS DRAWING IS THE PROPERTY OF
 THE UNITED STATES GOVERNMENT
 AND IS LOANED TO YOU BY THE
 NATIONAL BUREAU OF STANDARDS
 BOSTON FIELD OFFICE

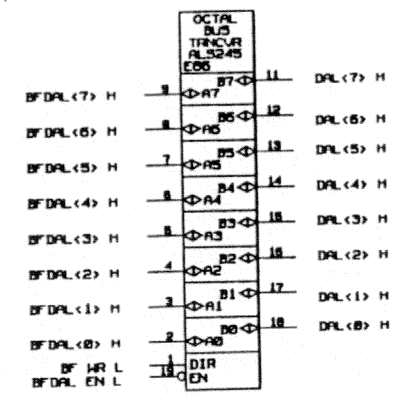
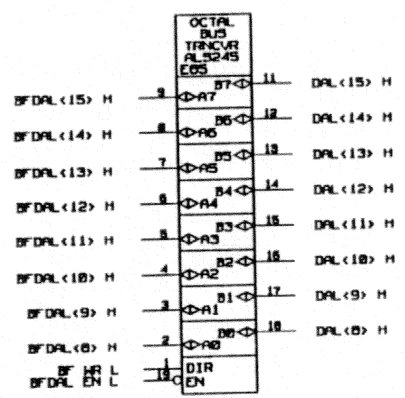


DUSCC AND BIODAL XCUR

DRAWING
 TITLE-DSB32
 ABBREV-DSB
 LAST_MODIFIED=Mon Jan 15 10:00:20 1989

DESIGNER D. ROZHOVITS	DATE 24-SEP-86	TITLE (DSB32) VAXBI SYNC COMM
SHEET 11 OF 26	SIZE D CS	NUMBER 11042-0-1
FOR DOCUMENT NUMBER B-DD-11042-0-0		REV. B

100% CHECKED BY: [unreadable]
 100% CHECKED BY: [unreadable]
 100% CHECKED BY: [unreadable]
 100% CHECKED BY: [unreadable]

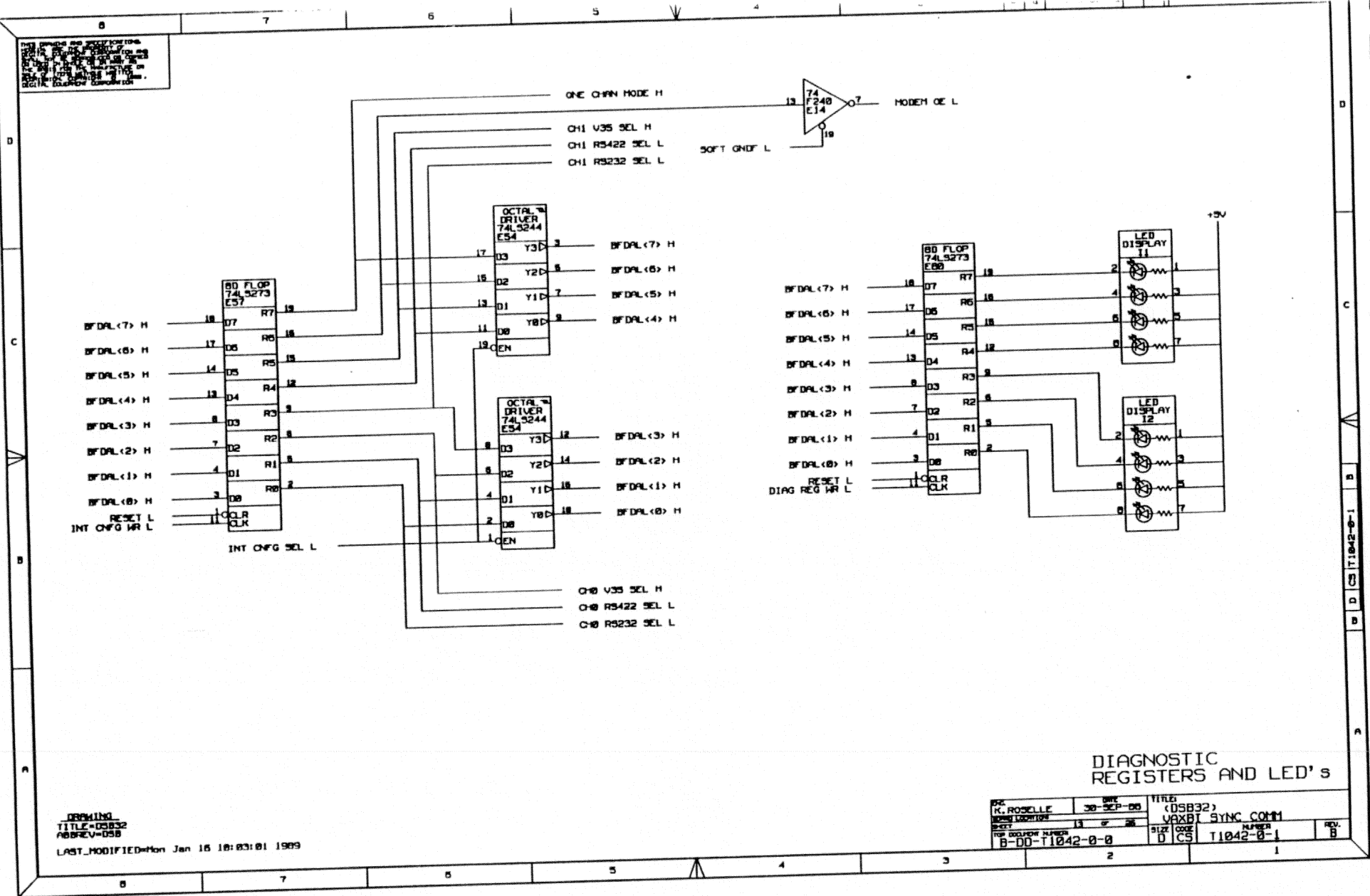


DAL BUFFERS

DRAWING
 TITLE=DSB32
 ABBREV=DSB
 LAST_MODIFIED=Mon Jan 15 10:01:27 1999

DSG D. ROZMOVITS 29 SEP 99	DATE 29 SEP 99	TITLE (DSB32) VAXBI SYNC COMM
B-00-T1042-0-0	D CS	NUMBER T1042-0-1
		REV. B

THIS SYMBOL AND SPECIFICATION ARE THE PROPERTY OF THE U.S. GOVERNMENT AND ARE TO BE REPRODUCED IN WHOLE OR IN PART BY ANY PERSON OR ORGANIZATION WITHOUT PERMISSION.



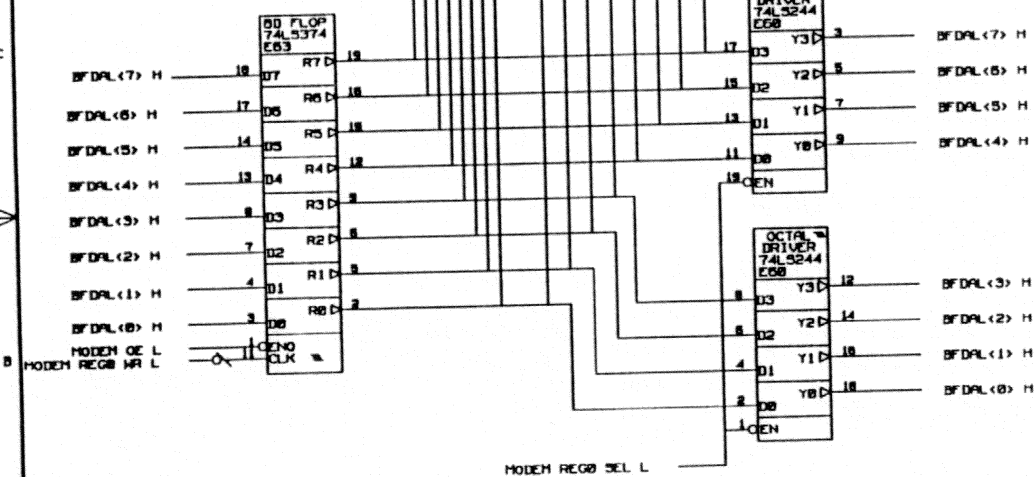
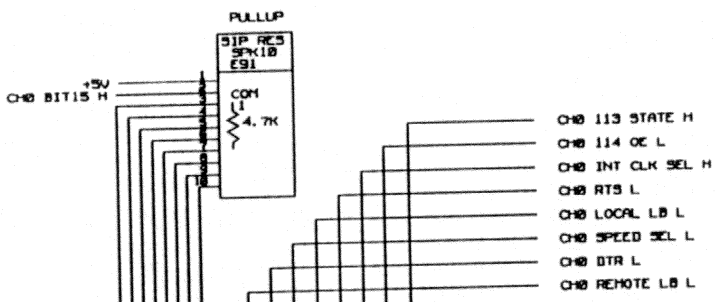
DRAWING
 TITLE=DSB32
 ABBREV=DSB
 LAST_MODIFIED=Mon Jan 16 10:03:01 1989

DIAGNOSTIC
 REGISTERS AND LED's

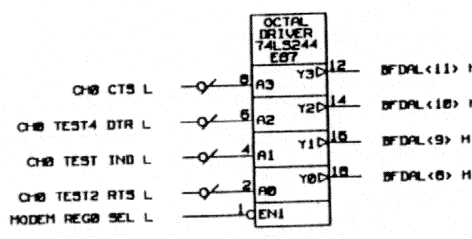
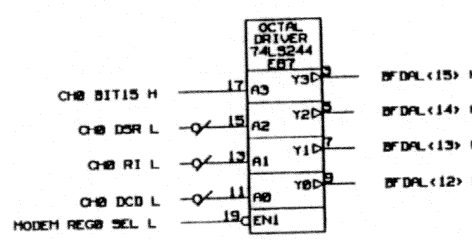
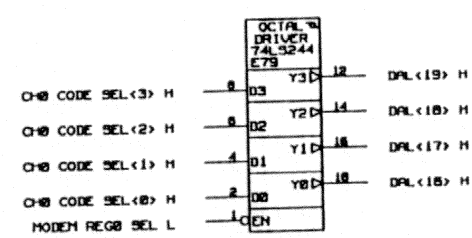
DESIGNER	DATE	TITLE
K. ROSELLE	30-SEP-88	(DSB32)
WORK LOCATION		VAXBT SYNC COMM
PROJECT	13 of 26	NUMBER
TOP DRAWING NUMBER	B-DD-T1042-0-0	SIZE
		D C5 T1042-0-1
		REV. B

B D S T1042-0-1

THIS DRAWING AND SPECIFICATION ARE THE PROPERTY OF THE U.S. GOVERNMENT AND ARE TO BE RELEASED TO ANYONE WITHOUT LIMITATION.



READ/WRITE REGISTER



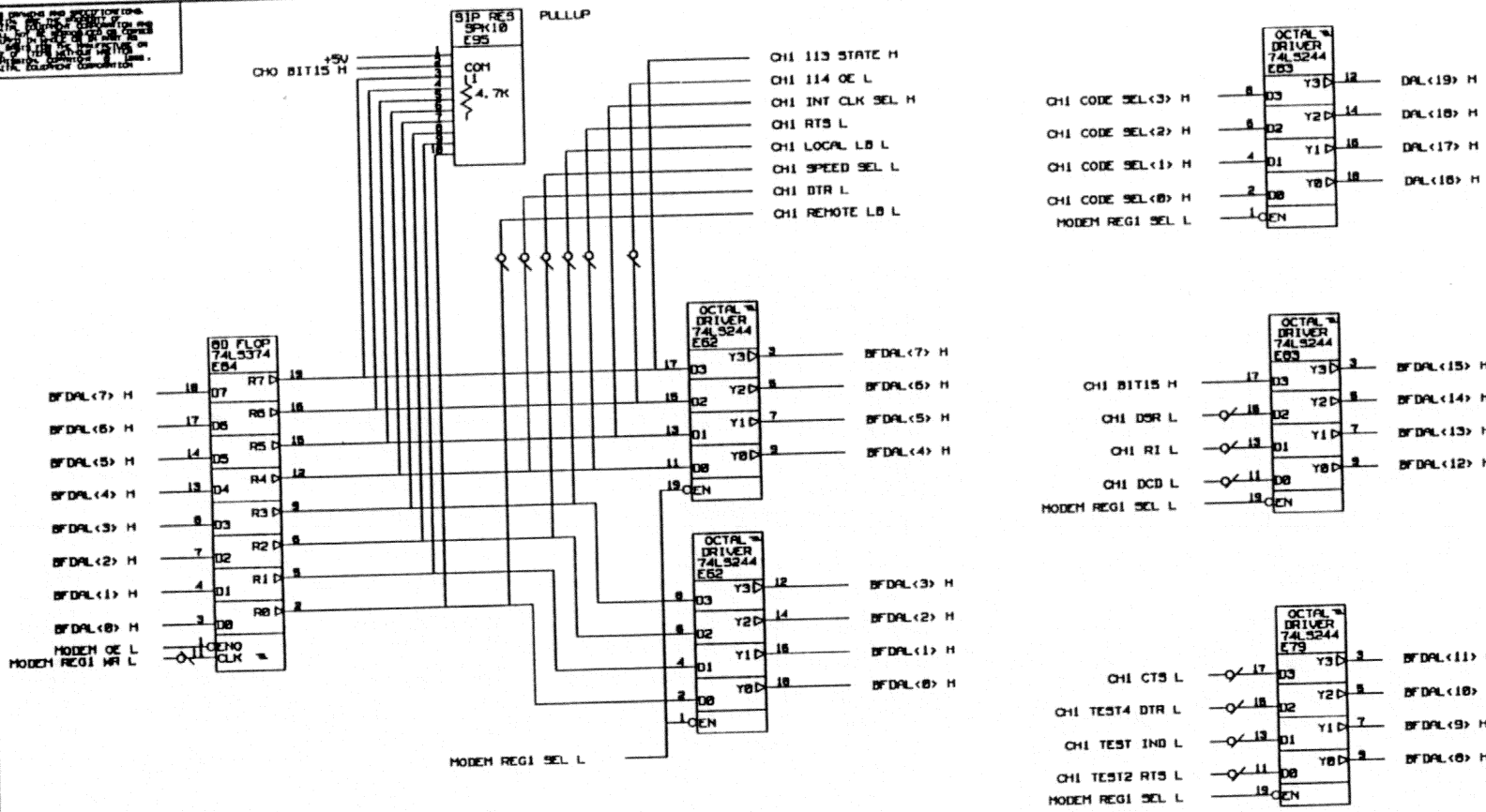
READ ONLY REGISTER

CHANNEL 0 INTERFACE CONTROL REGISTER

DRAWING
 TITLE=DSB32
 ABBREV=DSB
 LAST_MODIFIED=Mon Jan 16 18:03:59 1989

DESIGNER	R. ROSELLE	DATE	30-SEP-88	TITLE	(DSB32)
DESIGN OFFICE					VAXBI SYNC COMM
SIZE	14	OF	28	REV.	B
TOP DRAWING NUMBER	B-D0-11042-0-0		SIZE CODE	D C5	NUMBER
					T1042-0-1

THIS DRAWING AND SPECIFICATION ARE THE PROPERTY OF THE U.S. GOVERNMENT AND ARE TO BE USED FOR THE SPECIFIC PURPOSES AUTHORIZED BY THE U.S. GOVERNMENT. ANY REPRODUCTION OR TRANSMISSION IN ANY FORM OR BY ANY MEANS, ELECTRONIC OR MECHANICAL, INCLUDING PHOTOCOPYING, RECORDING, OR BY ANY INFORMATION STORAGE AND RETRIEVAL SYSTEM, IS PROHIBITED WITHOUT PERMISSION IN WRITING FROM THE U.S. GOVERNMENT.



READ/WRITE REGISTER

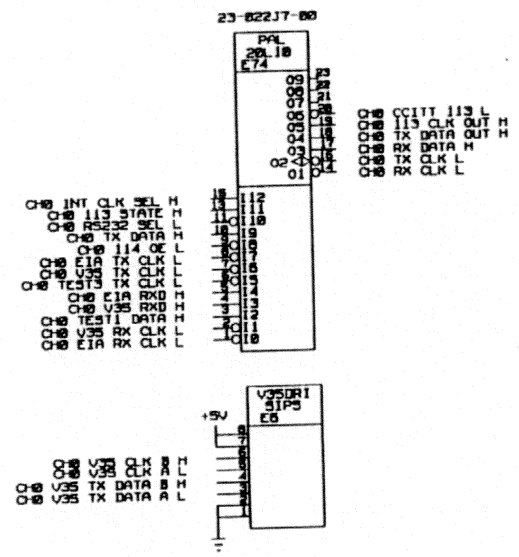
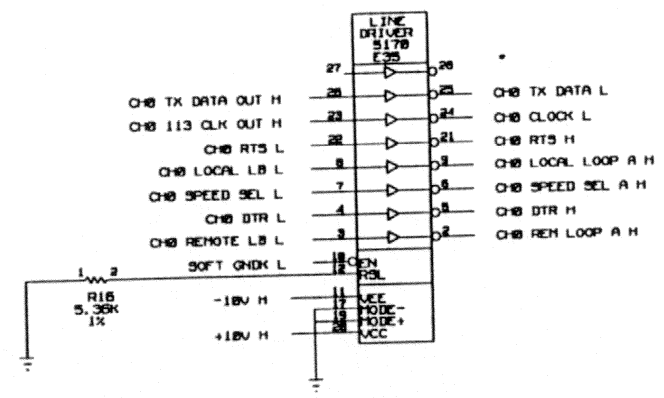
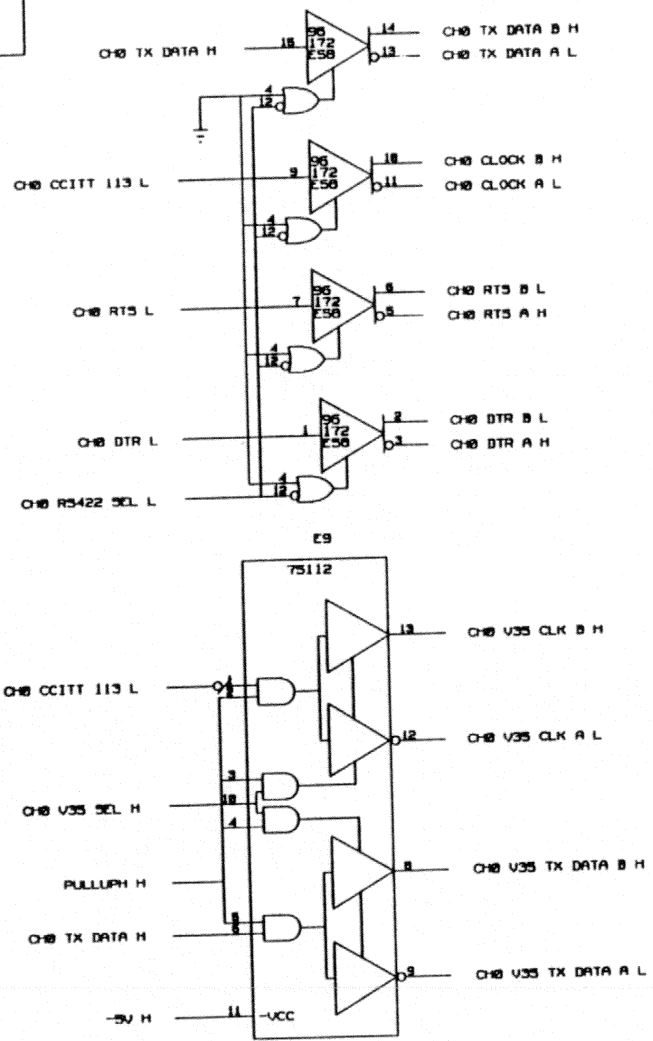
READ ONLY REGISTER

CHANNEL 1 INTERFACE CONTROL REGISTER

DRAWING
 TITLE=DSB32
 ABBREV=DSB
 LAST_MODIFIED=Mon Jan 15 18:04:21 1989

DESIGNER K. ROSS/LE	DATE 28-SEP-88	TITLE (DSB32)
DESIGN LOCATION	SHEET 18 OF 26	PROJECT VAXBI SYNC COMM
FOR EXCHANGE NUMBER B-DD-T1042-0-0	SIZE D	CODE CS
	ISSUED T1042-0-1	REV. B

THIS DRAWING AND SPECIFICATIONS ARE THE PROPERTY OF THE U.S. GOVERNMENT AND ARE TO BE REPRODUCED IN WHOLE OR IN PART BY ANY PERSON OR ORGANIZATION WITHOUT PERMISSION OF THE U.S. GOVERNMENT.

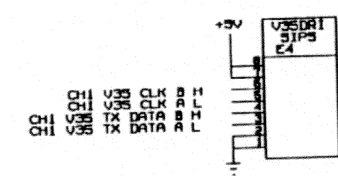
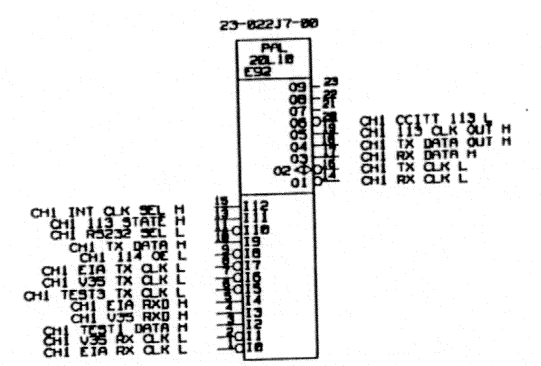
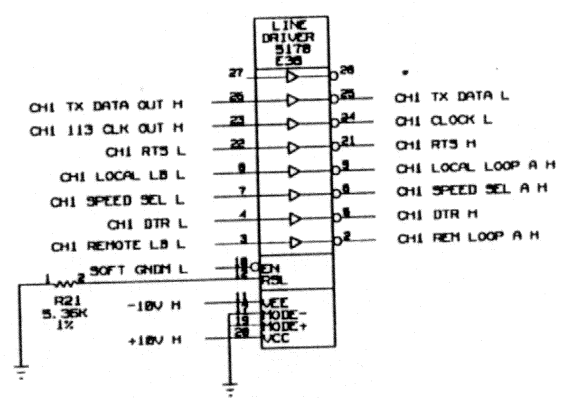
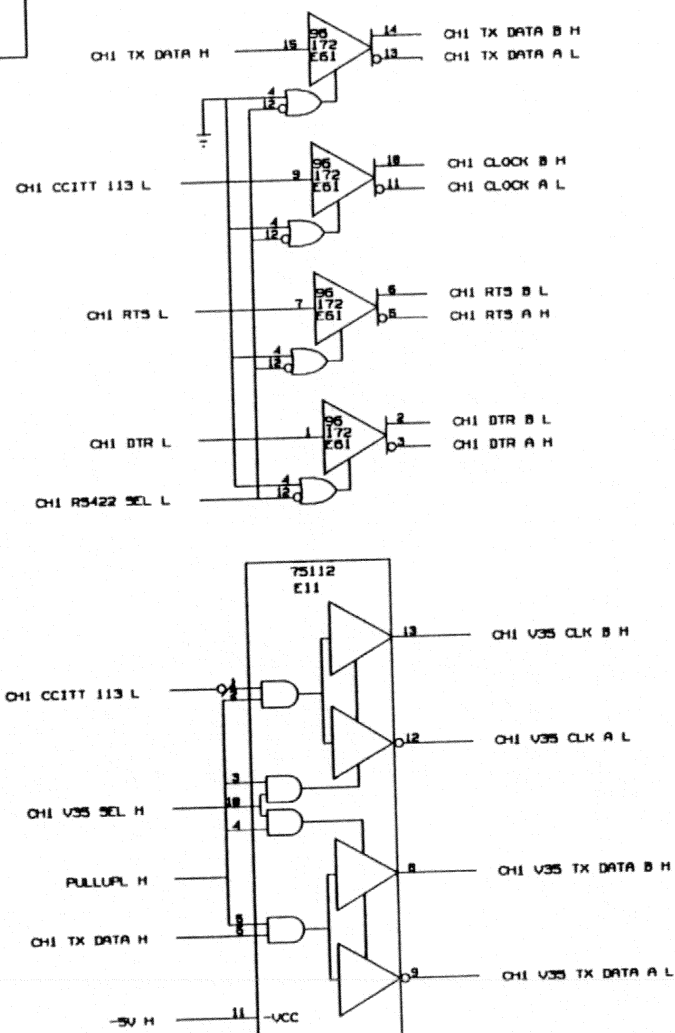


CHANNEL 0 TRANSMITTERS

DESIGNER	DATE	TITLE
B. ROZHOVITS	14-OCT-66	(DSB32) VAXBI SYNC COMM
FOR APPROVAL NUMBER	SIZE	CODE
B-DD-T1042-0-0	D	CS
	NUMBER	REV.
	T1042-0-1	B

DRAWING
TITLE=DSB32
ABBREV=DSB
LAST_MODIFIED=Mon Jan 16 16:04:51 1969

THIS DRAWING AND ALL CONTENTS THEREOF ARE THE PROPERTY OF THE U.S. AIR FORCE. IT IS TO BE KEPT IN CONFIDENCE AND IS NOT TO BE REPRODUCED OR TRANSMITTED IN ANY FORM OR BY ANY MEANS, ELECTRONIC, MECHANICAL, PHOTOCOPYING, RECORDING, OR BY ANY INFORMATION STORAGE AND RETRIEVAL SYSTEM, WITHOUT PERMISSION IN WRITING FROM THE U.S. AIR FORCE.

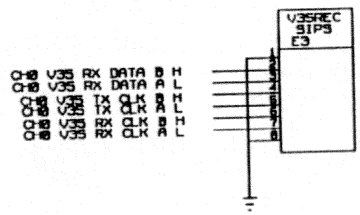
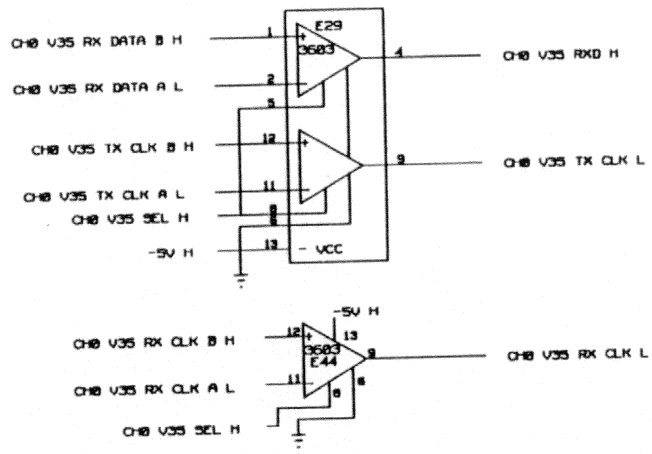
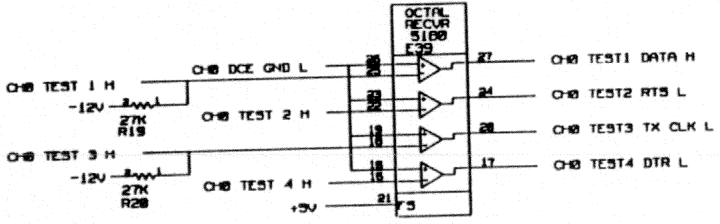
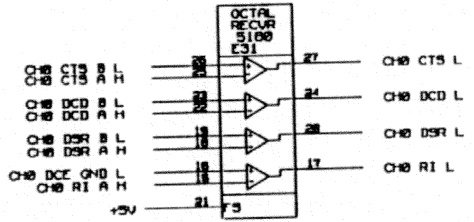
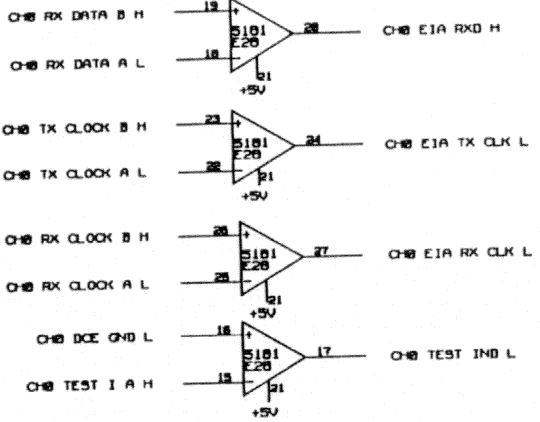


CHANNEL 1 TRANSMITTERS

DRAWING
 TITLE=05832
 ABBREV=DSB
 LAST_MODIFIED=Mon Jan 16 16:05:11 1989

DESIGNER	DATE	TITLE
D. ROZNOVITS	14-OCT-86	(DSB32)
FOR APPROVAL	BY	WAXBT SYNC COMM
NO. OF SHEETS	SHEET NO.	SIZE
17	26	D
FOR ORDER NUMBER	CODE	NUMBER
B-DD-T1042-0-0	D	T1042-0-1
		REV.
		B

THIS DRAWING AND SPECIFICATION ARE THE PROPERTY OF THE U.S. GOVERNMENT AND ARE TO BE REPRODUCED AND TRANSMITTED IN ANY FORM AND BY ANY MEANS, ELECTRONIC OR MECHANICAL, INCLUDING PHOTOCOPYING, RECORDING, OR BY ANY INFORMATION STORAGE AND RETRIEVAL SYSTEM, WITHOUT PERMISSION IN WRITING FROM THE U.S. GOVERNMENT PRINTING OFFICE.

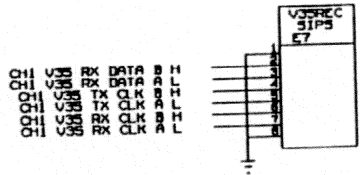
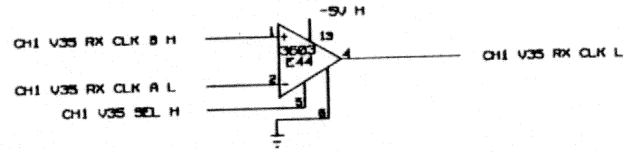
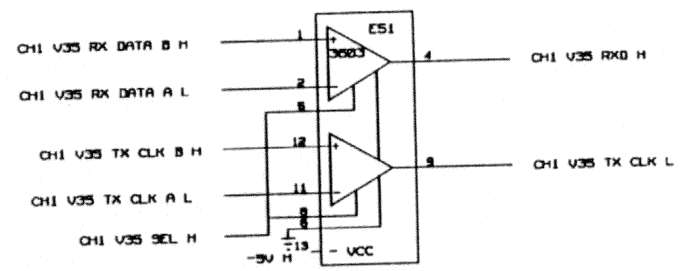
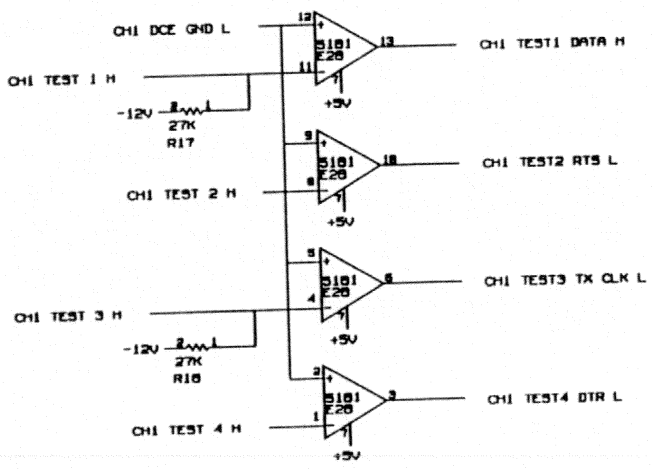
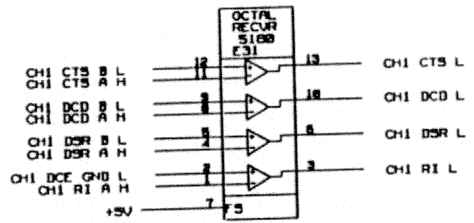
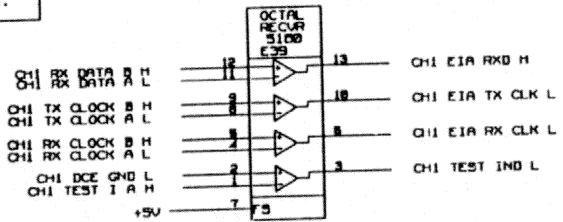


CHANNEL 0 RECEIVERS

DRAWING
 TITLE-DSB32
 ABBREV-DSB
 LAST_MODIFIED=Mon Jan 16 10:05:37 1989

DESIGNER D. ROZMOVITS	DATE 18-OCT-88	TITLE (DSB32)
DESIGN CHECKED		MAXBIT SYNC COMM
SHEET 18 OF 26		NUMBER
FOR DRAWING NUMBER B-DD-T1042-0-0		REV. B

THIS DRAWING AND SPECIFICATION
 ARE THE PROPERTY OF THE
 UNITED STATES GOVERNMENT
 AND ARE LOANED TO YOU BY
 THE NATIONAL BUREAU OF
 STANDARDS. IT IS TO BE
 RETURNED TO THE NATIONAL
 BUREAU OF STANDARDS
 ON THE DATE INDICATED
 ON THE CHECKOUT SLIP.



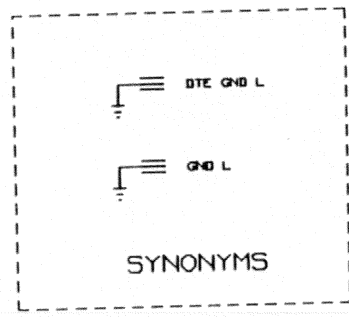
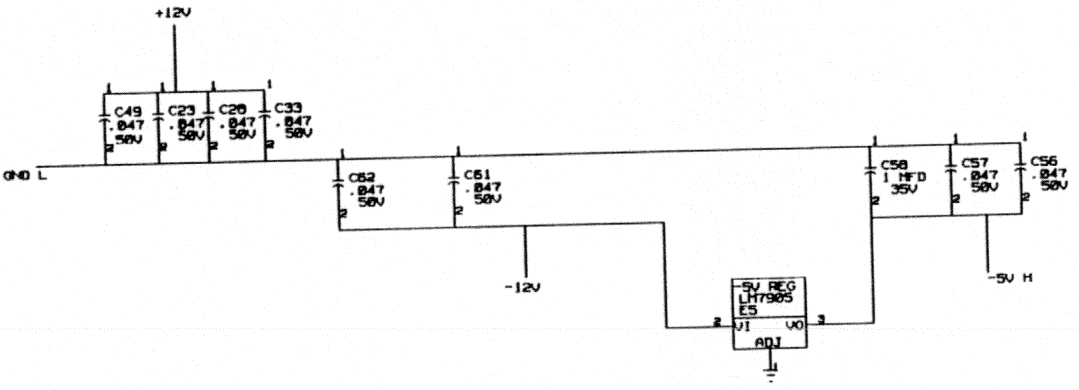
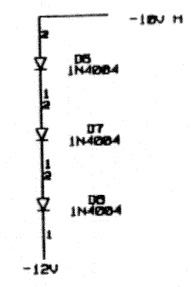
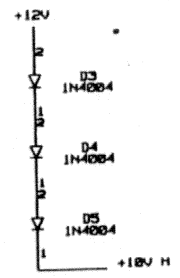
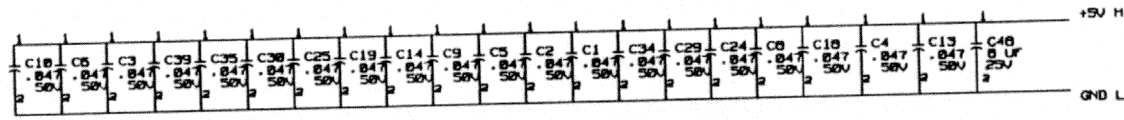
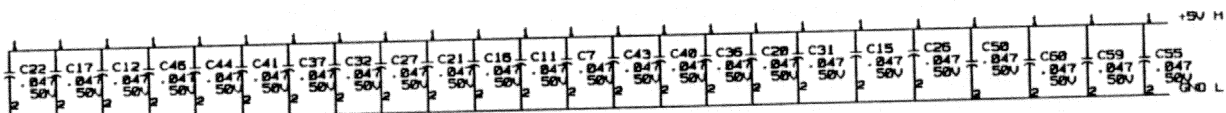
CHANNEL 1 RECEIVERS

DESIGNER	DATE	TITLE	REV.
B. ROZMOVITS	15-OCT-85	(05832)	B
PROJECT	14 OF 26	VAXBI SYNC COMM	
TOP SOURCE NUMBER	SIZE	CODE	NUMBER
B-DD-T1042-0-0	D	CS	T1042-0-1

DRAWING
 TITLE=05832
 ADRREV=05B
 LAST_MODIFIED=Mon Jan 16 10:05:55 1989

D
C
B
A
0 7 6 5 4 3 2 1

ALL DIMENSIONS AND SPACING UNLESS OTHERWISE SPECIFIED ARE IN MILLIMETERS
 ALL DIMENSIONS ARE TO CENTER UNLESS OTHERWISE SPECIFIED
 ALL DIMENSIONS ARE TO CENTER UNLESS OTHERWISE SPECIFIED



POWER AND BYPASS CAP'S

DRAWING
 TITLE=DSB32
 ABBREV=DSB
 LAST_MODIFIED=Mon Jan 15 10:01:03 1989

DESIGNER	DATE	TITLE	REV.
B. ROZMOVITS	02-OCT-88	(DSB32) VAXBI SYNC COMM	B
PROJECT	SIZE	CODE	NUMBER
B-DD-T1042-0-0	D	CS	T1042-0-1

THIS DRAWING AND ANY SPECIFICATIONS ATTACHED HERETO SHALL BE THE PROPERTY OF THE U.S. GOVERNMENT AND SHALL BE LOANED TO YOU BY THE U.S. GOVERNMENT. IT IS TO BE USED ONLY FOR THE PURPOSES AUTHORIZED BY THE U.S. GOVERNMENT. IT IS TO BE RETURNED TO THE U.S. GOVERNMENT AND NOT TO BE REPRODUCED, COPIED, OR TRANSMITTED IN ANY FORM OR BY ANY MEANS, ELECTRONIC OR MECHANICAL, INCLUDING PHOTOCOPYING, RECORDING, OR BY ANY INFORMATION STORAGE AND RETRIEVAL SYSTEM.

		SIGNAL CROSS REFERENCE			SIGNAL CROSS REFERENCE			RESERVED FOR DEC USE ONLY		
		EIA EIA CCITT			EIA EIA CCITT					
		449 232			449 232					
TEST CABLE H	CH0				TEST CABLE2 H	CH1				
DTE GND L		RD	184		DTE GND L		RD	184		
CH0 RX DATA B H		DM	187		CH1 RX DATA B H		DM	187		
CH0 DSR B L		RD	184		CH1 DSR B L		RD	184		
CH0 RX DATA A L		DM	187		CH1 RX DATA A L		DM	187		
CH0 DSR A H		RD	184		CH1 DSR A H		RD	184		
CH0 LOCAL LOOP A H		LL	141		CH1 LOCAL LOOP A H		LL	141		
CH0 CODE SEL(0) H					CH1 CODE SEL(0) H					
CH0 TEST 4 H					CH1 TEST 4 H					
CH0 CODE SEL(1) H					CH1 TEST 1 A H	TH	142			
CH0 TEST 1 A H		TH	142		CH1 CODE SEL(2) H					
CH0 CODE SEL(2) H					CH1 REM LOOP A H	RL	140			
CH0 REM LOOP A H		RL	140		CH1 CODE SEL(3) H					
CH0 CODE SEL(3) H					DTE GND L	SC	182a			
DTE GND L		SC	182a		CH1 DCD A H	RR	CF	109		
CH0 DCD A H		RR	CF	109	CH1 SPEED SEL A H	SR	CH	111		
CH0 SPEED SEL A H		SR	CH	111	CH1 TX DATA A L	SD		183		
CH0 TX DATA A L		SD		183	CH1 DTR H	TR	CD	180/2		
CH0 DTR H		TR	CD	180/2	CH1 TX DATA B H	SD		183		
CH0 TX DATA B H		SD		183	CH1 V35 RX CLK B H			115		
CH0 V35 RX CLK B H				115	DTE GND L					
TEST CABLE2 H					CH1 V35 RX CLK A L			115		
CH0 V35 RX CLK A L				115	CH1 TX DATA L	SD	BA	183		
CH0 TX DATA L		SD	BA	183	DTE GND L					
DTE GND L		SC	182a		CH1 RTS B L	RS		185		
CH0 RTS B L		RS		185	CH1 CLOCK A L	TT		113		
CH0 CLOCK A L		TT		113	CH1 RTS A H	RS		185		
CH0 RTS A H		RS		185	CH1 CLOCK B H	TT		113		
CH0 CLOCK B H		TT		113	DTE GND L	SC		182a		
DTE GND L		SC		182a	CH1 RX CLOCK A L	RT	DD	113		
DTE GND L		SC		182a	CH1 V35 CLK B H			113		
CH0 RX CLOCK A L		RT	DD	113	CH1 RX CLOCK B H			113		
CH0 V35 CLK B H				113	CH1 V35 CLK A L			113		
CH0 RX CLOCK B H				113	DTE GND L					
CH0 V35 CLK A L		SC		182a	CH1 DCE GND L	RC		182b		
DTE GND L		RC		182b	CH1 TX CLOCK A L	ST	DA	114		
CH0 DCE GND L		ST	DB	114	CH1 TEST 1 H					
CH0 TX CLOCK A L				114	CH1 TX CLOCK B H	ST		114		
CH0 TEST 1 H		ST		114	CH1 TEST 2 H					
CH0 TX CLOCK B H				114	CH1 RI A H	IC	CE	125		
CH0 TEST 2 H		IC	CE	125	CH1 V35 RX DATA A L			184		
CH0 RI A H				184	CH1 RTS H	RS	CA	185		
CH0 V35 RX DATA A L		RS	CA	185	CH1 V35 RX DATA B H			184		
CH0 RTS H				184	DTE GND L	SC		182a		
CH0 V35 RX DATA B H		SC		182a	DTE GND L	SC		182a		
DTE GND L		SC		182a	CH1 DCD B L	RR		109		
DTE GND L		RR		109	CH1 DTR B L	TR		180/2		
CH0 DCD B L		TR		180/2	CH1 CLOCK L	TT	DA	113		
CH0 DTR B L		TT	DA	113	CH1 DTR A H	TR		180/2		
CH0 CLOCK L				113	CH1 CTS A H	CS	CB	186		
CH0 DTR A H				186	TEST CABLE OK H	SC		182a		
CH0 CTS A H		SC		182a	CH1 CTS B L	CS		186		
DTE GND L		CS		186	CH1 V35 TX DATA B H			114		
CH0 CTS B L				114	CH1 V35 TX CLK A L			183		
CH0 V35 TX DATA B H				183	CH1 V35 TX DATA A L			183		
CH0 V35 TX CLK A L				183	CH1 V35 TX CLK B H			114		
CH0 V35 TX DATA A L				114	CH1 TEST 3 H					
CH0 V35 TX CLK B H					CH1 SPARE L					
CH0 V35 TX DATA B H										
CH0 TEST 3 H										
CH0 SPARE L										

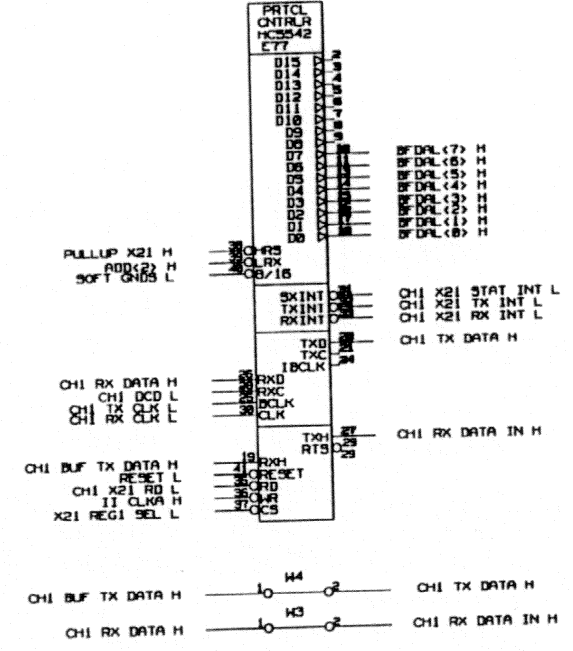
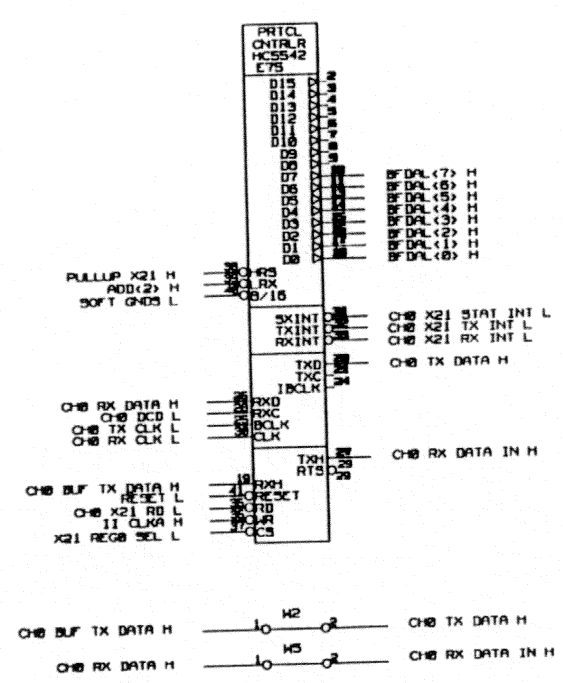
COMM
BACKPLANE
PINS AND
SIGNALS

DRG	D. ROZHOVITS	DATE	10-20-86	TITLE	(05B32)	
FORM LOCATION				VAXBI SYNC COMM		
PAGE	21	OF	25	SIZE	D	REV.
FOR RECORD IN FILE	B-DD-T1042-0-0			CODE	CS	NUMBER
						T1042-0-1

DRAWING
TITLE=05B32
ADDR=V=05B
LAST MODIFIED: Mon Jan 16 10:02:16 1989

THIS DRAWING AND SPECIFICATION
 SHALL BE THE PROPERTY OF THE
 U.S. GOVERNMENT AND SHALL BE
 LOANED TO YOU BY THE U.S. GOVERNMENT
 AND SHALL NOT BE DISTRIBUTED
 OUTSIDE YOUR AGENCY.

NOTE: E75 AND E91 ARE NOT INSTALLED



X.21

DRAWING
 TITLE=D5832
 ABBREV=D58
 LAST_MODIFIED=Mon Jan 16 10:03:38 1989

DESIGNER	DATE	TITLE
GLENN ROY	11-24-85	(D5832)
REVISION		MAXBIT SYNC COMM
REV. NO.	22 of 26	
TOP DRAWING NUMBER	SIZE	CODE
B-DD-T1042-0-0	D	CS
	NUMBER	REV.
	T1042-0-1	B

