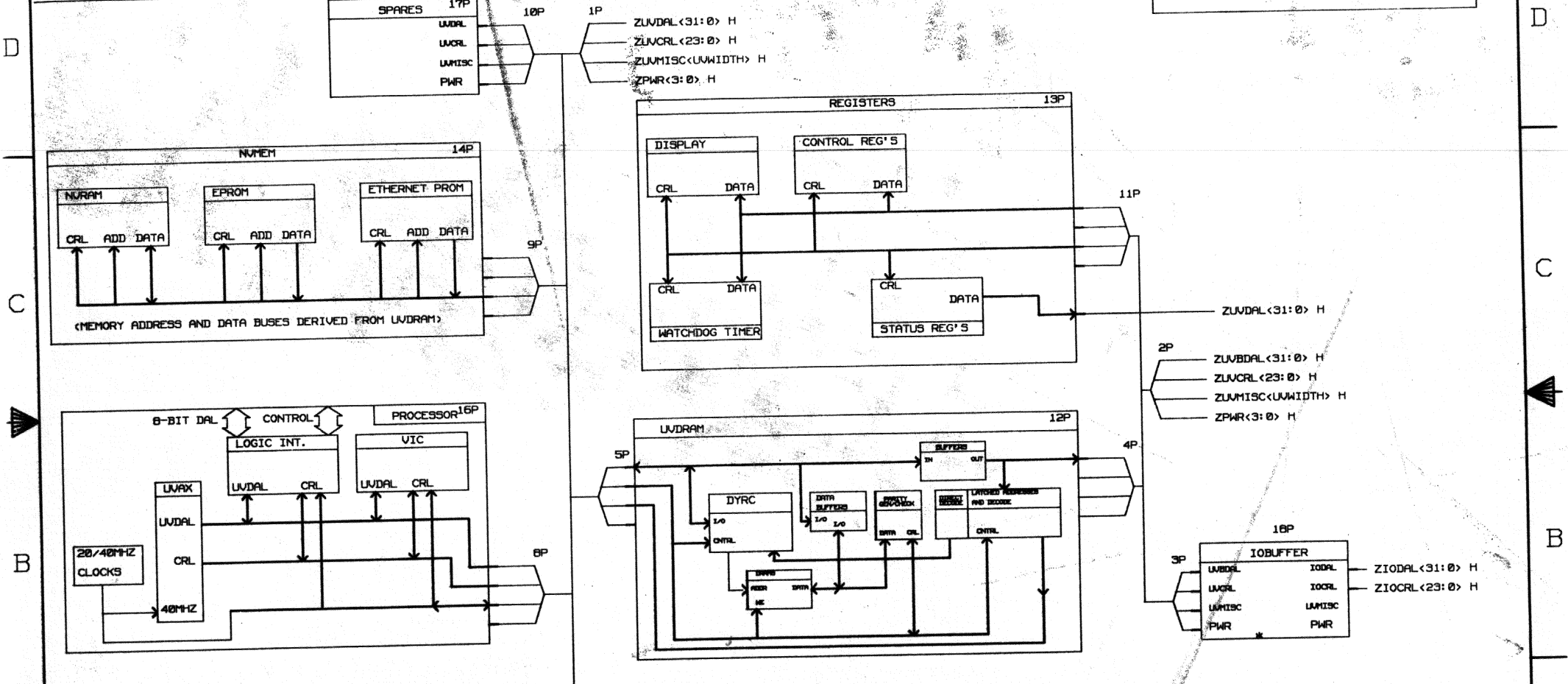


THIS DRAWING AND SPECIFICATIONS HEREIN ARE THE PROPERTY OF DIGITAL EQUIPMENT CORPORATION AND SHALL NOT BE REPRODUCED OR COPIED OR USED IN WHOLE OR IN PART AS THE BASIS FOR THE MANUFACTURE OR SALE OF ITEMS WITHOUT WRITTEN PERMISSION.
 COPYRIGHT 1985 DIGITAL EQUIPMENT CORPORATION

* DUMMY UVDAL BUS ADDED TO SATISFY SYNONYM PAGE REQUIREMENTS



DEFINE
 X_FIRST=0
 X_STEP=SIZE
 UMWIDTH=135:0
 CONWIDTH=41:0
 MISCWIDTH=77:0
 SERWIDTH=80:0

DRAWING
 TITLE=SERVER_SV3
 ABBREV=SRV3
 Tue Jun 17 19:16:46 1985

NEXT HIGHER ASSEMBLY: SERVER_S.LOGIC.1.1
 TITLE: SERVER_S.LOGIC.1.1

DES. NAME	DAVID L A BRASH	DATE	13JUN85	TITLE	digital
DES. ENG. NAME		DATE			MICROSERVER_SYNC
DES. ENCL. NAME		DATE			(SERVER_SV3.LOGIC.1.1)
DES. ENCL. NAME		DATE			(VERSION 3 - GATE ARRAY)
DES. ENCL. NAME		DATE			DOCUMENT NUMBER
DES. ENCL. NAME		DATE			SIZE B CS NUMBER TBD00-0-0
DES. ENCL. NAME		DATE			SCALE NTS SHEET 1 OF 4

REVISION HISTORY	DATE
REV	ECO NUMBER

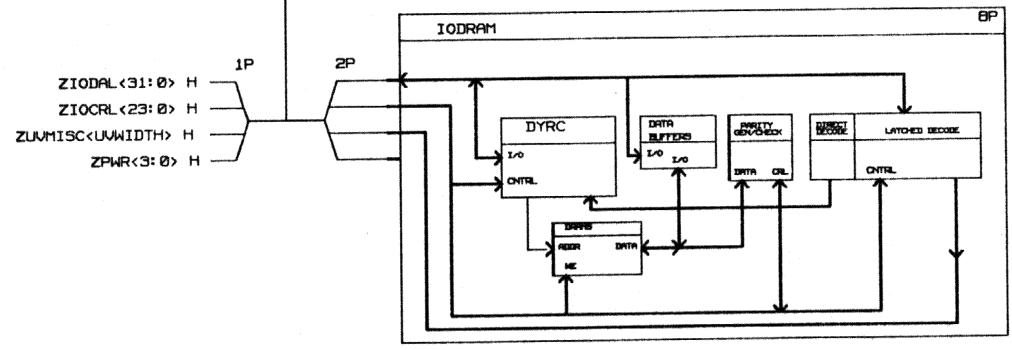
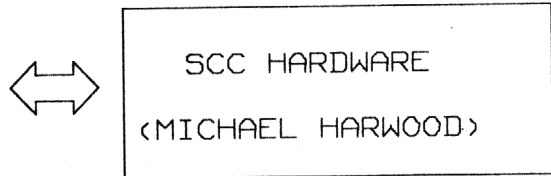
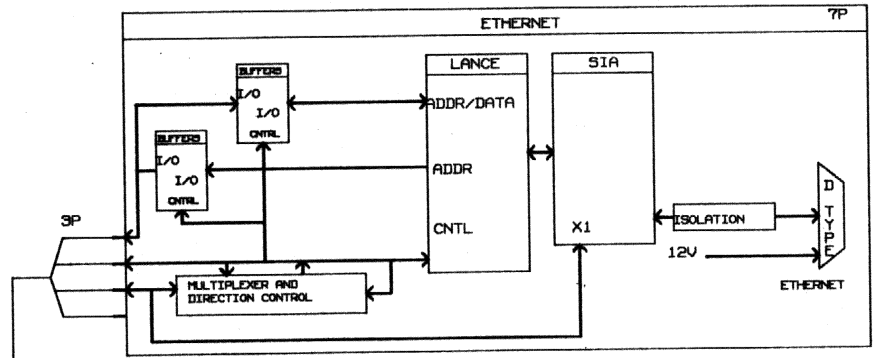
THIS DRAWING AND SPECIFICATIONS, HEREIN, ARE THE PROPERTY OF DIGITAL EQUIPMENT CORPORATION AND SHALL NOT BE REPRODUCED OR COPIED OR USED IN WHOLE OR IN PART AS THE BASIS FOR THE MANUFACTURE OR SALE OF ITEMS WITHOUT WRITTEN PERMISSION.
 COPYRIGHT 1985 DIGITAL EQUIPMENT CORPORATION

4

3

2

1



REVISION HISTORY
 REV. ECO NUMBER DATE

DRAWING
 TITLE=SERVER_SV3
 ABBREV=SRV3
 Tue Jun 17 17:01:08 1985

NEXT HIGHER ASSEMBLY
 SERVER_S.LOGIC.1.1

DESIGN	DAVID L A BRASH	13JUN85	TITLE	digital	
CHK'D	NAME	DATE	MICROSERVER_SYNC		
DESIGN	NAME	DATE	<SERVER_SV3.LOGIC.1.2>		
RESP. ENG.	NAME	DATE	<VERSION 3 - GATE ARRAY>		
APP. ENG.	NAME	DATE	DOCUMENT NUMBER		
SIZE	B	CODE	CS	NUMBER	TBD00-0-0
SCALE	NTS		SHEET	2 of 4	

4

3

2

1

D

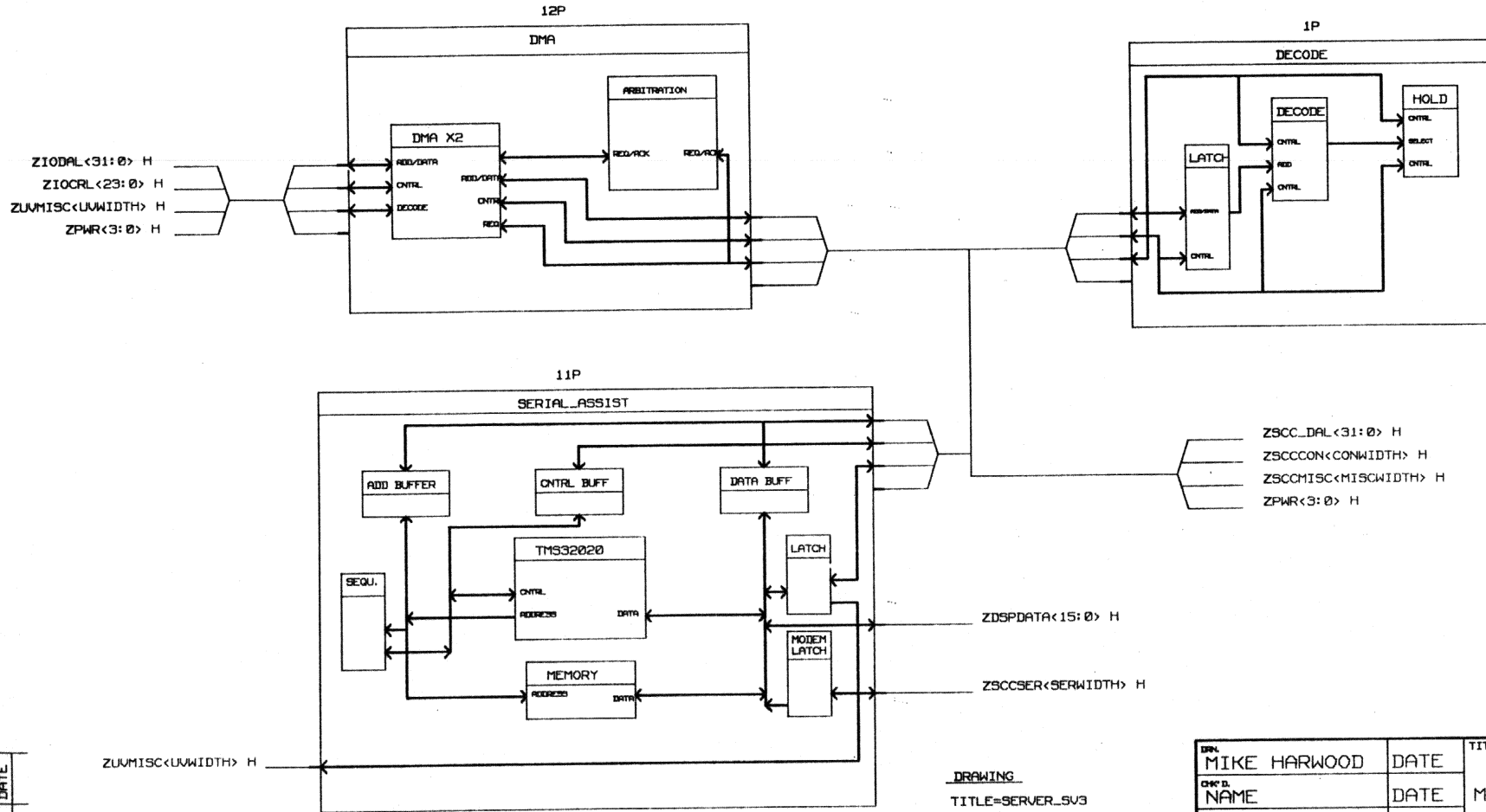
C

B

A

THIS DRAWING AND SPECIFICATIONS HEREIN ARE THE PROPERTY OF DIGITAL EQUIPMENT CORPORATION AND SHALL NOT BE REPRODUCED OR COPIED OR USED IN WHOLE OR IN PART AS THE BASIS FOR THE MANUFACTURE OR SALE OF ITEMS WITHOUT WRITTEN PERMISSION.

COPYRIGHT 1985 DIGITAL EQUIPMENT CORPORATION



REV	ECO	NUMBER	DATE

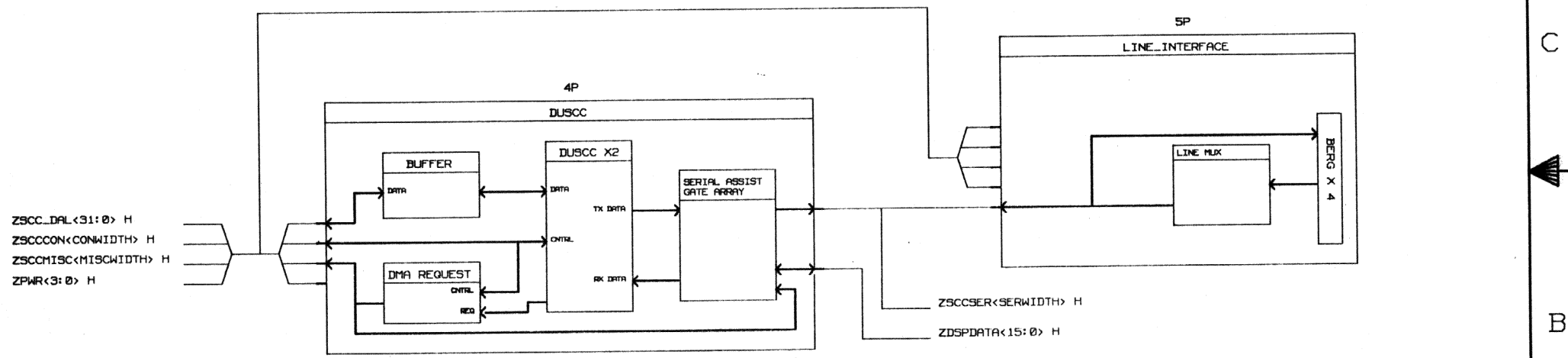
DRAWING
 TITLE=SERVER_SV3
 ABBREV=SRV3
 Tue Jun 17 18:04:48 1985

NEXT HIGHER ASSEMBLY
 SERVER_S.LOGIC.1.1

DRN.	NAME	DATE	TITLE
MIKE HARWOOD			MICROSERVER_SYNC (SERVER_SV3.LOGIC.1.3) (VERSION 3 -- GATE ARRAY)
DES. ENG. NAME			DOCUMENT NUMBER
RESP. ENG. NAME			B CS TBD00-0-0
FIG. ENG. NAME			A
TOP DOC NO.	SERVER_S.LOGIC.1.1		SCALE NTS
			SHEET 3 of 4

THIS DRAWING AND SPECIFICATIONS HEREIN ARE THE PROPERTY OF DIGITAL EQUIPMENT CORPORATION AND SHALL NOT BE REPRODUCED OR COPIED OR USED IN WHOLE OR IN PART AS THE BASIS FOR THE MANUFACTURE OR SALE OF ITEMS WITHOUT WRITTEN PERMISSION.

COPYRIGHT 1985 DIGITAL EQUIPMENT CORPORATION



REV	ECO NUMBER	DATE

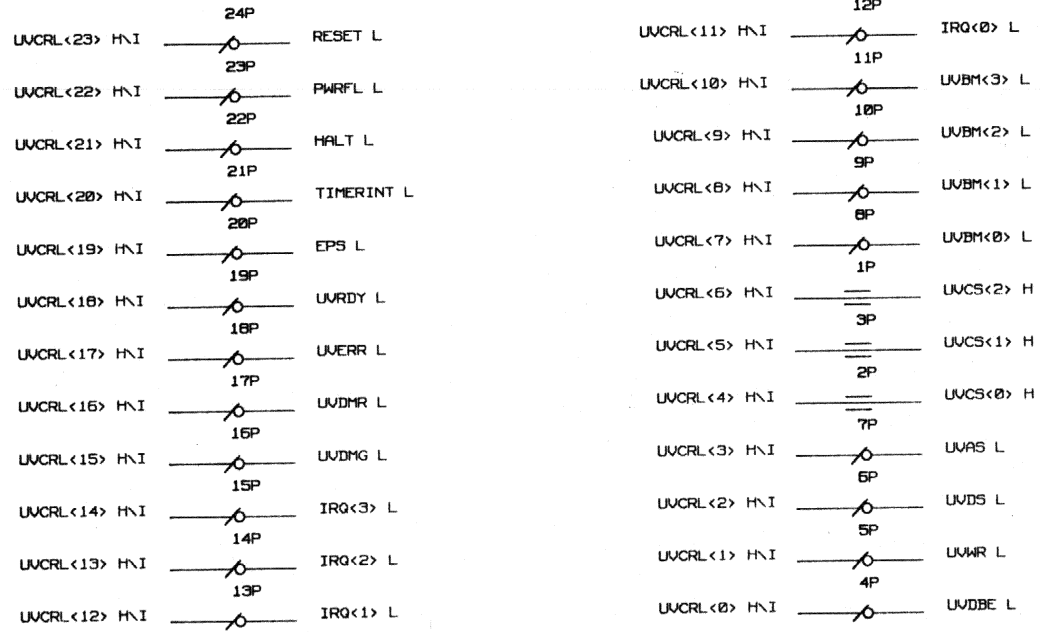
DRAWING
 TITLE=SERVER_SV3
 ABBREV=SRV3
 Tue Jun 17 16:57:43 1986

DES. NAME	MIKE HARWOOD	DATE		TITLE	digital
DES. ENG. NAME		DATE		MICROSERVER_SYNC	
DES. DWG. NAME		DATE		<SERVER_SV3.LOGIC.1.4>	
DES. DWG. NAME		DATE		<VERSION 3 - GATE ARRAY>	
MFG. DWG. NAME		DATE		DOCUMENT NUMBER	
TOP Dwg. NO.	SERVER_S.LOGIC.1.1			SIZE B	CODE CS
					NUMBER TBD00-0-0
					REV. A
				SCALE NTS	SHEET 4 of 4

THIS DRAWING AND SPECIFICATIONS, HEREIN, ARE THE PROPERTY OF DIGITAL EQUIPMENT CORPORATION AND SHALL NOT BE REPRODUCED OR COPIED OR USED IN WHOLE OR IN PART AS THE BASIS FOR THE MANUFACTURE OR SALE OF ITEMS WITHOUT WRITTEN PERMISSION.

COPYRIGHT 1986 DIGITAL EQUIPMENT CORPORATION

SYNONYMS FOR UVAX CONTROL AND DAL SIGNALS



UVDAL<31:0> H.I ≡ UV_DAL<31:0> H

REVISION HISTORY
 REV. ECO NUMBER DATE

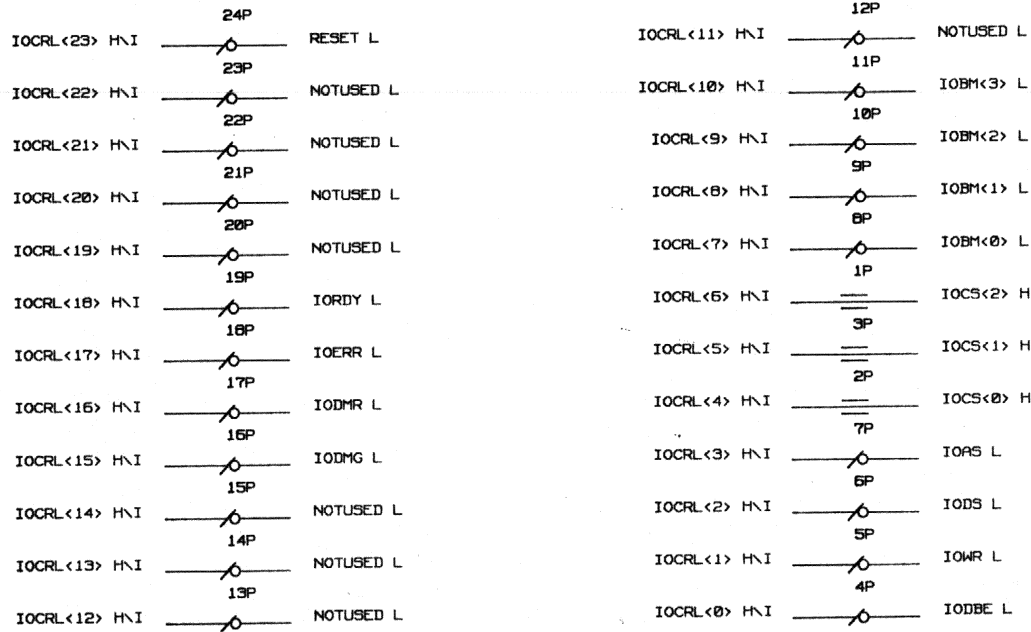
DRAWING
 Wed May 14 20:53:21 1986

NEXT HIGHER ASSEMBLY
SERVER_S.LOGIC. 1.1

DRN DAVID L A BRASH	17FEB86	TITLE SYNONYMS.LOGIC. 1.1		
CHK'D NAME	DATE			
DES. ENG. NAME	DATE			
RESP. ENG. NAME	DATE			
WFL. ENG. NAME	DATE			
TOP DOC NO. SERVER_S.LOGIC. 1.1	SCALE NTS	DOCUMENT NUMBER TBD00-0-0	REV. A	SHEET 1 OF 6

THIS DRAWING AND SPECIFICATIONS, HEREIN, ARE THE PROPERTY OF DIGITAL EQUIPMENT CORPORATION AND SHALL NOT BE REPRODUCED OR COPIED OR USED IN WHOLE OR IN PART AS THE BASIS FOR THE MANUFACTURE OR SALE OF ITEMS WITHOUT WRITTEN PERMISSION.
 COPYRIGHT 1985 DIGITAL EQUIPMENT CORPORATION

SYNONYMS FOR IO_BUS CONTROL AND DATA SIGNALS



IODAL<31:0> H,I IO_DAL<31:0> H

REVISION HISTORY
 REV. ECO NUMBER DATE

DRAWING
 Fri Jun 13 11:57:00 1985

SERVER_S.LOGIC.1.1 SERVER_S.LOGIC.1.1

DRN. DAVID L A BRASH	22APR85	TITLE SYNONYMS.LOGIC.1.2
CHK'D. NAME	DATE	DOCUMENT NUMBER TBD00-0-0
DES. ENG. NAME	DATE	
RESP. ENG. NAME	DATE	
MFG. ENG. NAME	DATE	
TOP DOC NO. SERVER_S.LOGIC.1.1	SCALE NTS	REV. A SHEET 2 of 5

THIS DRAWING AND SPECIFICATIONS, HEREIN, ARE THE PROPERTY OF DIGITAL EQUIPMENT CORPORATION AND SHALL NOT BE REPRODUCED OR COPIED OR USED IN WHOLE OR IN PART AS THE BASIS FOR THE MANUFACTURE OR SALE OF ITEMS WITHOUT WRITTEN PERMISSION.

COPYRIGHT 1985 DIGITAL EQUIPMENT CORPORATION

SYNONYMS CATEGORISED BY THEIR MODULE OF ORIGIN

*** TRANSLATION FROM IOCL BUS

PROCESSOR

- UVMISC<0> H.I. RESET H
- UVMISC<1> H.I. A40MHZ H
- UVMISC<2> H.I. B40MHZ H
- UVMISC<3> H.I. C40MHZ H
- UVMISC<4> H.I. C20MHZ L
- UVMISC<5> H.I. C20MHZ H
- UVMISC<6> H.I. CONSOLE L

UVD RAM

- UVMISC<46:15> H.I. UVADD<31:0> H
- UVMISC<47> H.I. STATUS L
- UVMISC<48> H.I. ERRCLR L
- UVMISC<49> H.I. DISPW L
- UVMISC<50> H.I. CONTROL L
- UVMISC<51> H.I. WRK L
- UVMISC<52> H.I. ENET L
- UVMISC<53> H.I. VIC L
- UVMISC<54> H.I. ROMRD L
- UVMISC<55> H.I. NVRAM L
- UVMISC<56> H.I. NVOE L
- UVMISC<57> H.I. NVAE L
- UVMISC<58> H.I. WDIR L
- UVMISC<59> H.I. UVBAR L
- UVMISC<60> H.I. UVBDS L
- UVMISC<61> H.I. UVBAS L

IODRAM

- UVMISC<67:62> H.I. IOADD<29:24> H
- UVMISC<68> H.I. IOADD<0> H
- UVMISC<69> H.I. IOADD<1> H
- UVMISC<70> H.I. IOADD<2> H
- UVMISC<71> H.I. ADMA L
- UVMISC<72> H.I. BDMA L
- UVMISC<73> H.I. LANCE L
- UVMISC<74> H.I. LNCMSTR L
- UVMISC<75> H.I. LNCADD L
- UVMISC<76> H.I. IOTOLNC L
- UVMISC<77> H.I. LOSEL L
- UVMISC<78> H.I. DCOK L

IOBUFFER

- UVMISC<79> H.I. IOERR L ***
- UVMISC<80> H.I. IODATEN L
- UVMISC<81> H.I. IOCRLEN L
- UVMISC<82> H.I. IOADDEN L
- UVMISC<83> H.I. IOREADY L
- UVMISC<84> H.I. IOERR H
- UVMISC<85> H.I. TMSERR H

REGISTERS

- UVMISC<7> H.I. TMSCLR1 H
- UVMISC<8> H.I. TMSCLR2 H
- UVMISC<9> H.I. DUMP H
- UVMISC<10> H.I. DUMPEN H
- UVMISC<11> H.I. RSTDSP L
- UVMISC<12> H.I. PRTNEN H
- UVMISC<13> H.I. WDHALT L
- UVMISC<14> H.I. SYSRESET L

ETHERNET

- UVMISC<86> H.I. ADMAG L
- UVMISC<87> H.I. DALI L
- UVMISC<88> H.I. BYTE L
- UVMISC<89> H.I. LNCIRQ L

PSU

- UVMISC<135:104> H.I. UVMEM<31:0> H

REVISION HISTORY
REV. ECO NUMBER DATE

DRAWING

Tue Jun 17 13:15:54 1986

NEXT HIGHER ASSEMBLY
SERVER_S.LOGIC.1.1

DRN. DAVID L A BRASH	17FEB86	TITLE digital SYNONYMS.LOGIC.1.3
CHK'D. NAME	DATE	
DES. ENG. NAME	DATE	
REP. ENG. NAME	DATE	
WFC. ENG. NAME	DATE	
TOP DOC NO. SERVER_S.LOGIC.1.1		DOCUMENT NUMBER TB000-0-0
SCALE NTS	SHEET 3 of 5	REV. A

4

3

2

1

THIS DRAWING AND SPECIFICATIONS, HEREIN, ARE THE PROPERTY OF DIGITAL EQUIPMENT CORPORATION AND SHALL NOT BE REPRODUCED OR COPIED OR USED IN WHOLE OR IN PART AS THE BASIS FOR THE MANUFACTURE OR SALE OF ITEMS WITHOUT WRITTEN PERMISSION.
 COPYRIGHT 1985 DIGITAL EQUIPMENT CORPORATION

SYNONYMS CATEGORISED BY FUNCTION

SCC INTERRUPTS

- UVMISC<90> H.I. RX0INT H
- UVMISC<91> H.I. RX1INT H
- UVMISC<92> H.I. RX2INT H
- UVMISC<93> H.I. RX3INT H
- UVMISC<94> H.I. TX0INT H
- UVMISC<95> H.I. TX1INT H
- UVMISC<96> H.I. TX2INT H
- UVMISC<97> H.I. TX3INT H
- UVMISC<98> H.I. X21INT L
- UVMISC<99> H.I. SERINT L
- UVMISC<100> H.I. DMAINT L
- UVMISC<101> H.I. MODCHGINT H
- UVMISC<102> H.I. TMSINT L
- UVMISC<103> H.I. NOTUSED H

D

C

B

A

REVISION HISTORY
 REV. ECO NUMBER DATE

DRAWING
 Fri Jun 13 11:52:15 1986

NEXT HIGHER ASSEMBLY
 SERVER_S.LOGIC. 1. 1

DRN DAVID L. A BRASH	17FEB86	TITLE SYNONYMS.LOGIC. 1. 4
CHK'D. NAME	DATE	DOCUMENT NUMBER TBD00-0-0
DES. ENCL. NAME	DATE	
RESP. ENG. NAME	DATE	
APP. ENCL. NAME	DATE	
TOP DOC NO. SERVER_S.LOGIC. 1. 1	SCALE NTS	REVISION A
SHEET 4 of 6		

4

3

2

1

4

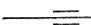
3

2

1

THIS DRAWING AND SPECIFICATIONS, HEREIN, ARE THE PROPERTY OF DIGITAL EQUIPMENT CORPORATION AND SHALL NOT BE REPRODUCED OR COPIED OR USED IN WHOLE OR IN PART AS THE BASIS FOR THE MANUFACTURE OR SALE OF ITEMS WITHOUT WRITTEN PERMISSION.
 COPYRIGHT 1986 DIGITAL EQUIPMENT CORPORATION

UVAX BUFFERED DAL BUS
 <BIDIRECTIONAL DAL BUS FROM UVDRAM TO REGISTERS AND IOBUFFER>

UVBDAL<31:0> HNI  UV_BDAL<31:0> H

REVISION HISTORY
 REV | ECO NUMBER | DATE

DRAWING

Fr: Jun 13 17:08:22 1986

NEXT HIGHER ASSEMBLY
 SERVER_S.LOGIC.1.1

DRW. NAME	DAVID L A BRASH	DATE	22APR86	TITLE		digital	
CHK'D. NAME		DATE		SYNONYMS.LOGIC.1.5			
DES. ENG. NAME		DATE		DOCUMENT NUMBER			
RESP. ENG. NAME		DATE		SIZE	CODE	NUMBER	REV.
MFG. ENG. NAME		DATE		B	CS	TBD00-0-0	A
TOP DOC NO.				SCALE	NTS	SHEET	5 of 6

4

3

2

1

D

C

B

A

4

3

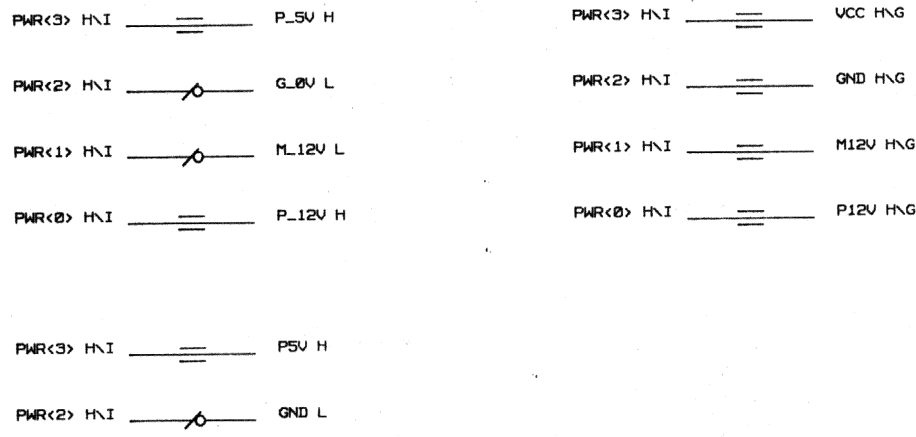
2

1

THIS DRAWING AND SPECIFICATIONS HEREIN ARE THE PROPERTY OF DIGITAL EQUIPMENT CORPORATION AND SHALL NOT BE REPRODUCED OR COPIED OR USED IN WHOLE OR IN PART AS THE BASIS FOR THE MANUFACTURE OR SALE OF ITEMS WITHOUT WRITTEN PERMISSION.

COPYRIGHT 1985 DIGITAL EQUIPMENT CORPORATION

MICROSERVER-S POWER BUS



REVISION HISTORY
REV | ECO NUMBER | DATE

DRAWING
Thu May 22 09:39:26 1986

NEXT HIGHER ASSEMBLY
SERVER_S.LOGIC.1.1

DRW. DAVID L A BRASH	22APR86	TITLE digital
CHK'D. NAME	DATE	SYNONYMS.LOGIC.1.6
DES. ENG. NAME	DATE	
RESP. ENG. NAME	DATE	DOCUMENT NUMBER
MFG. ENG. NAME	DATE	
TOP DOC NO. SERVER_S.LOGIC.1.1	SCALE NTS	NUMBER TBD00-0-0
		REV. A
		SHEET 6 OF 6

4

3

2

1

D

C

B

A

4

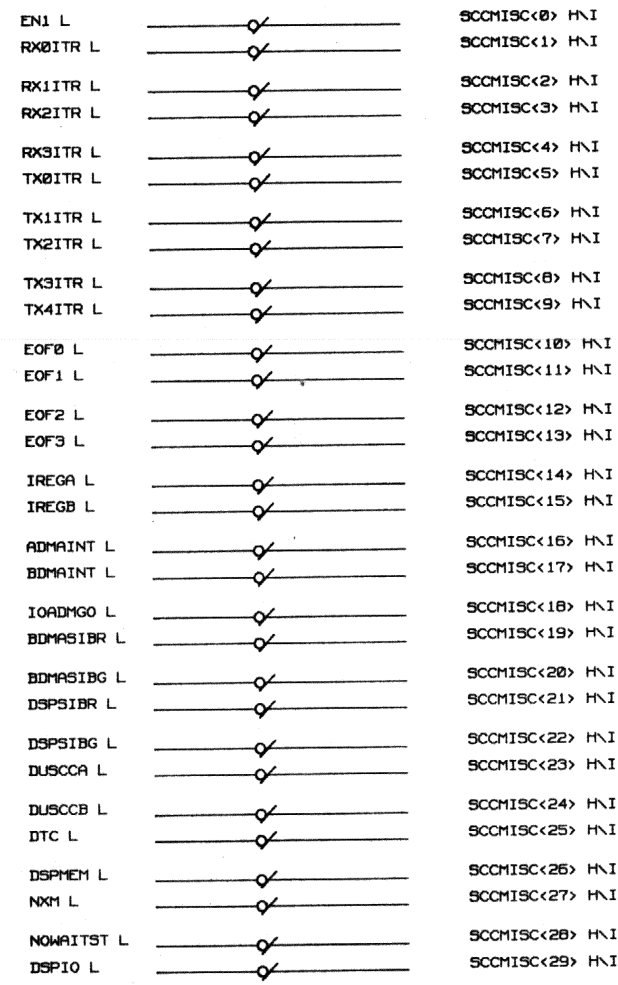
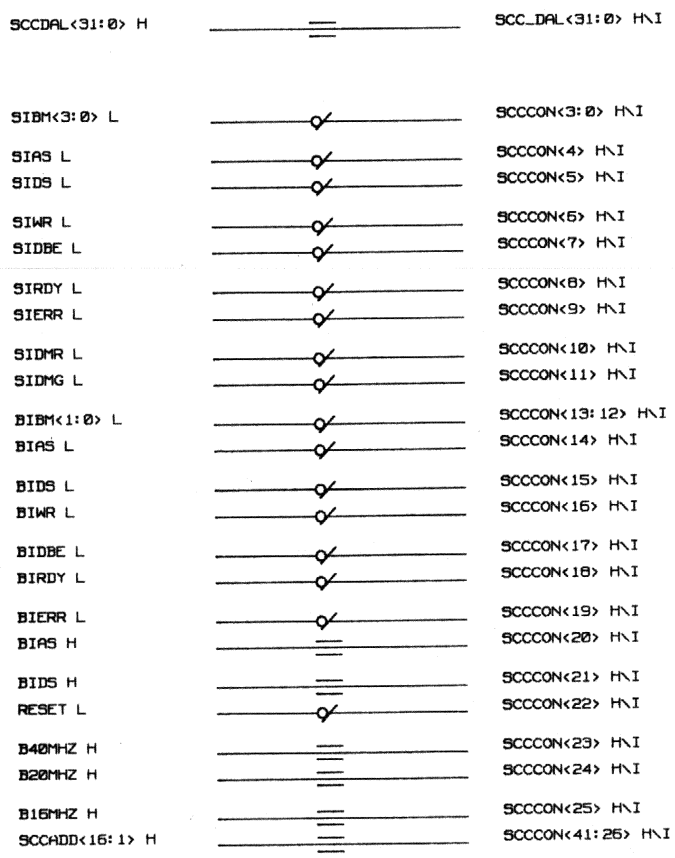
3

2

1

THIS DRAWING AND SPECIFICATIONS HEREIN ARE THE PROPERTY OF DIGITAL EQUIPMENT CORPORATION AND SHALL NOT BE REPRODUCED OR COPIED OR USED IN WHOLE OR IN PART AS THE BASIS FOR THE MANUFACTURE OR SALE OF ITEMS WITHOUT WRITTEN PERMISSION.

COPYRIGHT 1985 DIGITAL EQUIPMENT CORPORATION



- SCCMISC<0> HNI
- SCCMISC<1> HNI
- SCCMISC<2> HNI
- SCCMISC<3> HNI
- SCCMISC<4> HNI
- SCCMISC<5> HNI
- SCCMISC<6> HNI
- SCCMISC<7> HNI
- SCCMISC<8> HNI
- SCCMISC<9> HNI
- SCCMISC<10> HNI
- SCCMISC<11> HNI
- SCCMISC<12> HNI
- SCCMISC<13> HNI
- SCCMISC<14> HNI
- SCCMISC<15> HNI
- SCCMISC<16> HNI
- SCCMISC<17> HNI
- SCCMISC<18> HNI
- SCCMISC<19> HNI
- SCCMISC<20> HNI
- SCCMISC<21> HNI
- SCCMISC<22> HNI
- SCCMISC<23> HNI
- SCCMISC<24> HNI
- SCCMISC<25> HNI
- SCCMISC<26> HNI
- SCCMISC<27> HNI
- SCCMISC<28> HNI
- SCCMISC<29> HNI

REVISION HISTORY	REV	ECO NUMBER	DATE

DRAWING
Tue Jun 17 10:08:43 1985

NEXT HIGHER ASSEMBLY
SERVER_S.LOGIC.1.1

DRW. MIKE HARWOOD		DATE	TITLE	
DRW. D. NAME		DATE	SYNONYMS.LOGIC.1.7	
DES. ENG. NAME		DATE		
RESP. ENG. NAME		DATE		
APP. ENG. NAME		DATE	DOCUMENT NUMBER	
SIZE B	CODE CS	NUMBER TBDD00-0-0	REV. A	
TOP DOC NO. SERVER_S.LOGIC.1.1		SCALE NTS SHEET 7 OF 7		

4

3

2

1

(THIS DRAWING AND SPECIFICATIONS HEREIN ARE THE PROPERTY OF DIGITAL EQUIPMENT CORPORATION AND SHALL NOT BE REPRODUCED OR COPIED OR USED IN WHOLE OR IN PART AS THE BASIS FOR THE MANUFACTURE OR SALE OF ITEMS WITHOUT WRITTEN PERMISSION.)

COPYRIGHT 1985 DIGITAL EQUIPMENT CORPORATION

DMASEL H	==	SCCMISC<30> H\I
WIND L	✓	SCCMISC<31> H\I
DACK L	✓	SCCMISC<32> H\I
CHAN<0> H	==	SCCMISC<33> H\I
CHAN<1> H	==	SCCMISC<34> H\I
RXDMA0 L	✓	SCCMISC<35> H\I
RXDMA1 L	✓	SCCMISC<36> H\I
RXDMA2 L	✓	SCCMISC<37> H\I
RXDMA3 L	✓	SCCMISC<38> H\I
TXDMA0 L	✓	SCCMISC<39> H\I
TXDMA1 L	✓	SCCMISC<40> H\I
TXDMA2 L	✓	SCCMISC<41> H\I
TXDMA3 L	✓	SCCMISC<42> H\I
LDMASEL H	==	SCCMISC<43> H\I
LCHAN<0> H	==	SCCMISC<44> H\I
LCHAN<1> H	==	SCCMISC<45> H\I
LBIWR L	✓	SCCMISC<46> H\I
RX0DMA L	✓	SCCMISC<47> H\I
TX0DMA L	✓	SCCMISC<48> H\I
RX1DMA L	✓	SCCMISC<49> H\I
TX1DMA L	✓	SCCMISC<50> H\I
RX2DMA L	✓	SCCMISC<51> H\I
TX2DMA L	✓	SCCMISC<52> H\I
RX3DMA L	✓	SCCMISC<53> H\I
TX3DMA L	✓	SCCMISC<54> H\I
DUSCCEN L	✓	SCCMISC<55> H\I
NC	✓	SCCMISC<56> H\I
NC	✓	SCCMISC<57> H\I
NC	✓	SCCMISC<58> H\I
DSP10WR3 L	✓	SCCMISC<59> H\I

DSP10RD3 L	✓	SCCMISC<60> H\I
DSPWR L	✓	SCCMISC<61> H\I
DMINT L	✓	SCCMISC<62> H\I
DSPRDY L	✓	SCCMISC<63> H\I
RSTEOF0 L	✓	SCCMISC<64> H\I
RSTEOF1 L	✓	SCCMISC<65> H\I
RSTEOF2 L	✓	SCCMISC<66> H\I
RSTEOF3 L	✓	SCCMISC<67> H\I
CSL0350 H	==	SCCMISC<68> H\I
DUSCC H	==	SCCMISC<69> H\I
CSHI100 L	✓	SCCMISC<70> H\I
SERINT L	✓	SCCMISC<71> H\I
RSTDSP L	✓	SCCMISC<72> H\I
LDACK L	✓	SCCMISC<73> H\I
AVBR L	✓	SCCMISC<74> H\I
AVBG L	✓	SCCMISC<75> H\I
BVBR L	✓	SCCMISC<76> H\I
BVBG L	✓	SCCMISC<77> H\I
TX3REQ L	✓	SCCMISC<78> H\I
TX2REQ L	✓	SCCMISC<79> H\I
TX1REQ L	✓	SCCMISC<80> H\I
TX0REQ L	✓	SCCMISC<81> H\I
RX3REQ L	✓	SCCMISC<82> H\I
RX2REQ L	✓	SCCMISC<83> H\I
RX1REQ L	✓	SCCMISC<84> H\I
RX0REQ L	✓	SCCMISC<85> H\I
B2MHZ H	==	SCCMISC<86> H\I
C20MHZ H	==	B20MHZ H
C20MHZ L	==	B20MHZ L

REVISION HISTORY		
REV	ECO NUMBER	DATE

DRAWING

Wed Jun 18 18:01:02 1985

NEXT HIGHER ASSEMBLY
SERVER_S.LOGIC.1.1

DESIGNER MIKE HARWOOD	DATE	TITLE
DWG. D. NAME	DATE	SYNONYMS.LOGIC.1.8
DES. ENG. NAME	DATE	
RESP. ENG. NAME	DATE	DOCUMENT NUMBER
FIG. ENG. NAME	DATE	
TOP DOC NO. SERVER_S.LOGIC.1.1	SCALE NTS	NUMBER TBD00-0-0
		REV. A
		SHEET 8 of 7

4

3

2

1

THIS DRAWING AND SPECIFICATIONS, HEREIN, ARE THE PROPERTY OF DIGITAL EQUIPMENT CORPORATION AND SHALL NOT BE REPRODUCED OR COPIED OR USED IN WHOLE OR IN PART AS THE BASIS FOR THE MANUFACTURE OR SALE OF ITEMS WITHOUT WRITTEN PERMISSION.

COPYRIGHT 1985 DIGITAL EQUIPMENT CORPORATION

CH0_CCITT_104 H	=====	SCCSER<00> H\I	CH1_CCITT_104 H	=====	SCCSER<30> H\I
CH0_CCITT_114 L	-----/-----	SCCSER<01> H\I	CH1_CCITT_114 L	-----/-----	SCCSER<31> H\I
CH0_CCITT_115 L	-----/-----	SCCSER<02> H\I	CH1_CCITT_115 L	-----/-----	SCCSER<32> H\I
CH0_CCITT_113 L	-----/-----	SCCSER<03> H\I	CH1_CCITT_113 L	-----/-----	SCCSER<33> H\I
CH0_CCITT_103 H	=====	SCCSER<04> H\I	CH1_CCITT_103 H	=====	SCCSER<34> H\I
CH0_CCITT_141 L	-----/-----	SCCSER<05> H\I	CH1_CCITT_141 L	-----/-----	SCCSER<35> H\I
CH0_CCITT_111 L	-----/-----	SCCSER<06> H\I	CH1_CCITT_111 L	-----/-----	SCCSER<36> H\I
CH0_CCITT_106.2 L	-----/-----	SCCSER<07> H\I	CH1_CCITT_106.2 L	-----/-----	SCCSER<37> H\I
CH0_CCITT_140 L	-----/-----	SCCSER<08> H\I	CH1_CCITT_140 L	-----/-----	SCCSER<38> H\I
CH0_CCITT_107 L	-----/-----	SCCSER<09> H\I	CH1_CCITT_107 L	-----/-----	SCCSER<39> H\I
CH0_CCITT_125 L	-----/-----	SCCSER<10> H\I	CH1_CCITT_125 L	-----/-----	SCCSER<40> H\I
CH0_CCITT_109 L	-----/-----	SCCSER<11> H\I	CH1_CCITT_109 L	-----/-----	SCCSER<41> H\I
CH0_CCITT_106 L	-----/-----	SCCSER<12> H\I	CH1_CCITT_106 L	-----/-----	SCCSER<42> H\I
CH0_TEST_4_DTR L	-----/-----	SCCSER<13> H\I	CH1_TEST_4_DTR L	-----/-----	SCCSER<43> H\I
CH0_CCITT_142 L	-----/-----	SCCSER<14> H\I	CH1_CCITT_142 L	-----/-----	SCCSER<44> H\I
CH0_TEST_2_RTS L	-----/-----	SCCSER<15> H\I	CH1_TEST_2_RTS L	-----/-----	SCCSER<45> H\I
CH0_RS232_SEL L	-----/-----	SCCSER<16> H\I	CH1_RS232_SEL L	-----/-----	SCCSER<46> H\I
CH0_RS422_SEL L	-----/-----	SCCSER<17> H\I	CH1_RS422_SEL L	-----/-----	SCCSER<47> H\I
CH0_V35_SEL H	=====	SCCSER<18> H\I	CH1_V35_SEL H	=====	SCCSER<48> H\I
CH0_TEST L	-----/-----	SCCSER<19> H\I	CH1_TEST L	-----/-----	SCCSER<49> H\I
CH0_CCITT_105 L	-----/-----	SCCSER<20> H\I	CH1_CCITT_105 L	-----/-----	SCCSER<50> H\I
CH0_CODE_SEL<3:0> H	=====	SCCSER<24:21> H\I	CH1_CODE_SEL<3:0> H	=====	SCCSER<54:51> H\I

REVISION HISTORY
REV | ECO NUMBER | DATE

DRAWING

Thu Jun 19 10:54:37 1985

NEXT HIGHER ASSEMBLY
SERVER_S.LOGIC.1.1

DESIGNER MIKE HARWOOD	DATE	TITLE	digital	
CHK'D NAME	DATE	SYNONYMS.LOGIC.1.10		
DESIGNER NAME	DATE			
RESP. ENG. NAME	DATE	DOCUMENT NUMBER		
WFS. ENG. NAME	DATE	SIZE B	CODE CS	NUMBER TBD00-0-0
TOP DOC NO. SERVER_S.LOGIC.1.1	SCALE NTS	REVISION A	SHEET 10 of 7	

4

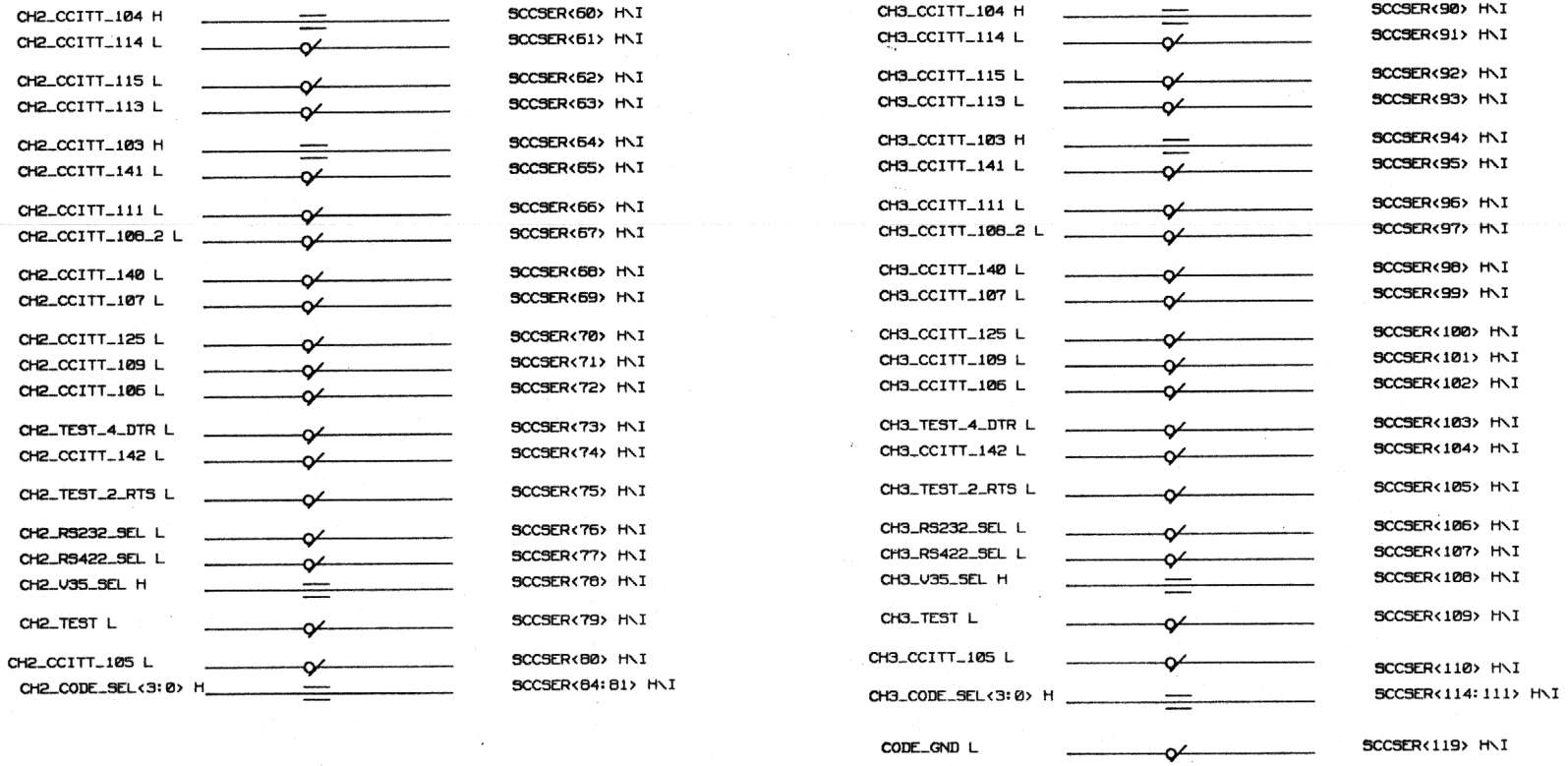
3

2

1

THIS DRAWING AND SPECIFICATIONS, HEREIN, ARE THE PROPERTY OF DIGITAL EQUIPMENT CORPORATION AND SHALL NOT BE REPRODUCED OR COPIED OR USED IN WHOLE OR IN PART AS THE BASIS FOR THE MANUFACTURE OR SALE OF ITEMS WITHOUT WRITTEN PERMISSION.

COPYRIGHT 1986 DIGITAL EQUIPMENT CORPORATION



D

C

B

A

REVISION HISTORY
REV. ECO NUMBER DATE

DRAWING
Thu Jun 19 10:52:46 1986

NEXT HIGHER ASSEMBLY
SERVER_S.LOGIC.1.1

DES. MIKE HARWOOD		DATE	TITLE	
CHK'D. NAME		DATE	SYNONYMS.LOGIC.1.10	
DES. ENG. NAME		DATE	DOCUMENT NUMBER	
RESP. ENG. NAME		DATE	SIZE B	CODE CS
REV. ENG. NAME		DATE	NUMBER TBD00-0-0	
TOP DOC NO. SERVER_S.LOGIC.1.1		SCALE NTS		REVISION A
		SHEET 10 of 7		

4

3

2

1

4

3

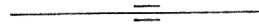
2

1

THIS DRAWING AND SPECIFICATIONS HEREIN ARE THE PROPERTY OF DIGITAL EQUIPMENT CORPORATION AND SHALL NOT BE REPRODUCED OR COPIED OR USED IN WHOLE OR IN PART AS THE BASIS FOR THE MANUFACTURE OR SALE OF ITEMS WITHOUT WRITTEN PERMISSION.

COPYRIGHT 1985 DIGITAL EQUIPMENT CORPORATION

DSPDATA<15:0> H



DSPDAT<15:0> H:I

D

C

B

A

REV	ECC NUMBER	DATE

DES.	MIKE HARWOOD	DATE	TITLE		
CHG'D.	NAME	DATE	SYNONYMS. LOGIC. 1. 11		
DES. ENG.	NAME	DATE	DOCUMENT NUMBER		
RESP. ENG.	NAME	DATE	SIZE	CODE	NUMBER
APP. ENG.	NAME	DATE	B	CS	TBD00-0-0
TOP DOC NO.	SERVER_S. LOGIC. 1. 1		SCALE	NTS	SHEET 11 of 7
REV.			A		

NOT HIGHER ASSEMBLY
SERVER_S. LOGIC. 1. 1

4

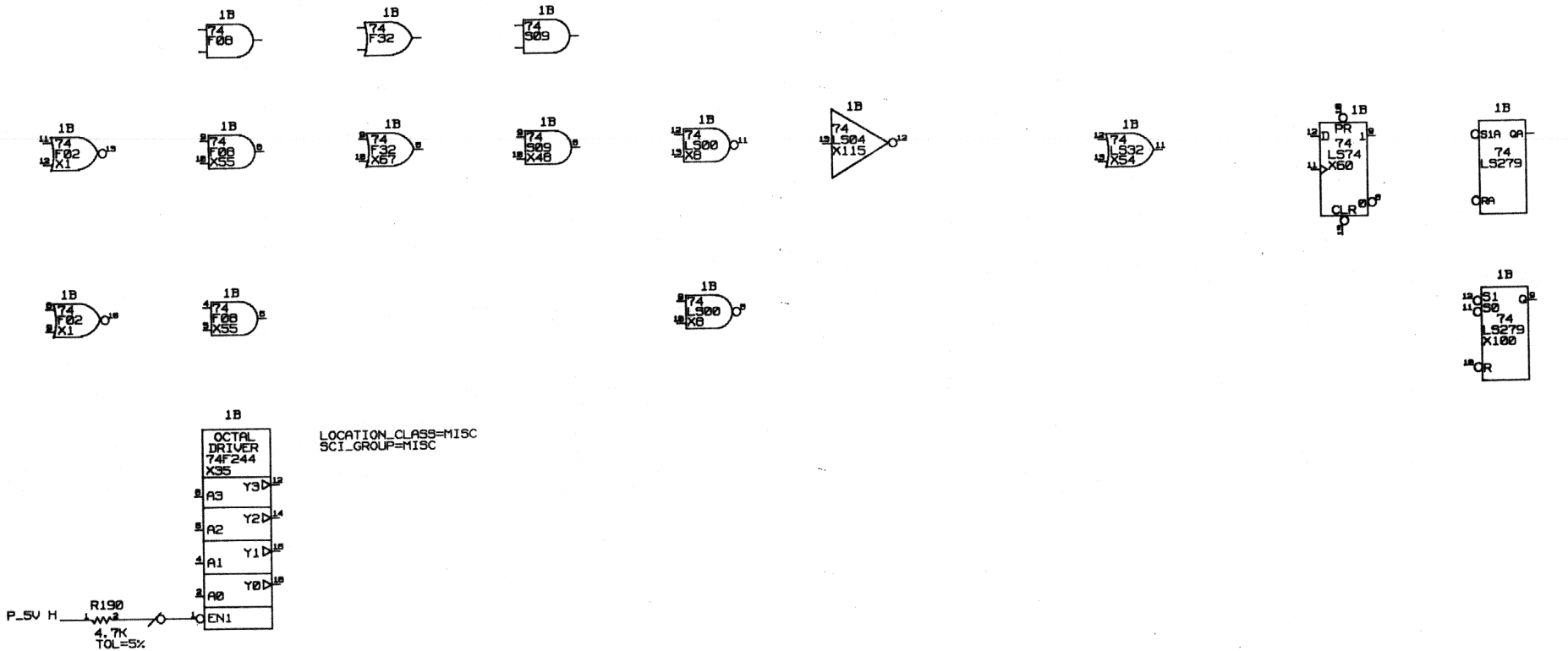
3

2

1

THIS DRAWING AND SPECIFICATIONS, HEREIN, ARE THE PROPERTY OF DIGITAL EQUIPMENT CORPORATION AND SHALL NOT BE REPRODUCED OR COPIED OR USED IN WHOLE OR IN PART AS THE BASIS FOR THE MANUFACTURE OR SALE OF ITEMS WITHOUT WRITTEN PERMISSION.

COPYRIGHT 1986 DIGITAL EQUIPMENT CORPORATION



REVISION HISTORY	REV	ECO NUMBER	DATE

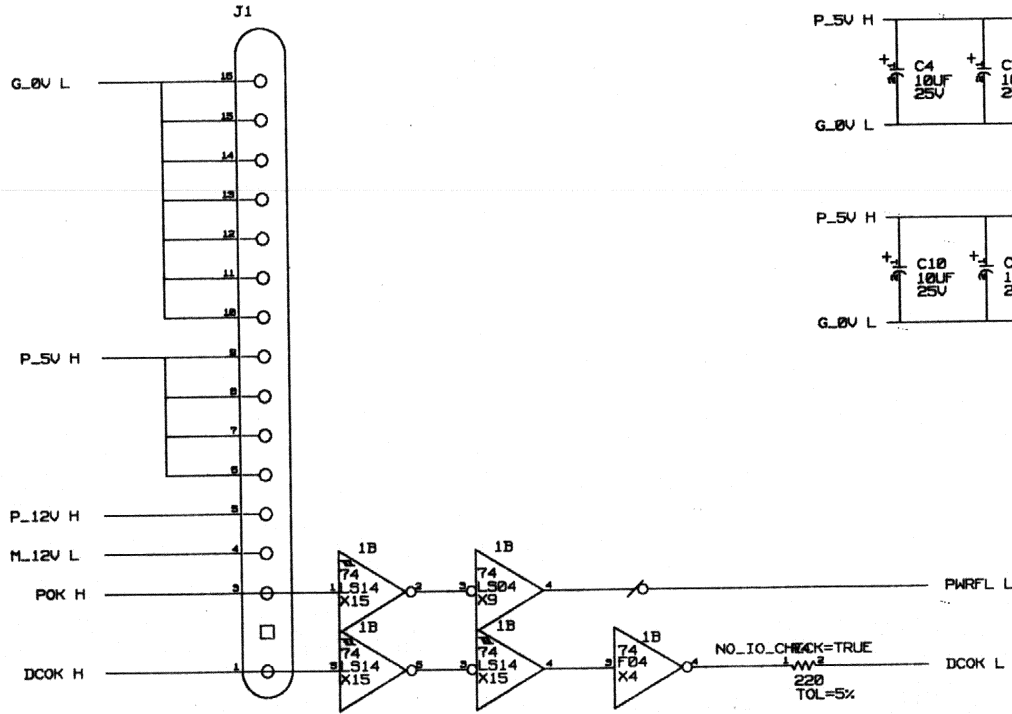
DRAWING
SPARES
SPARES
Thu Jun 19 09:33:33 1986

NEXT HIGHER ASSEMBLY
SERVER_S.LOGIC.1.1

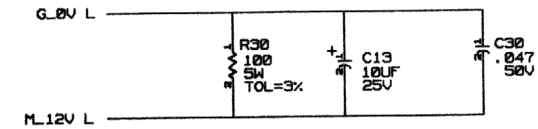
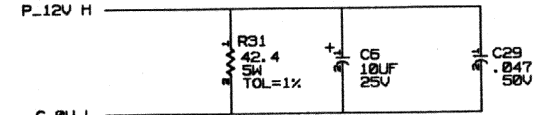
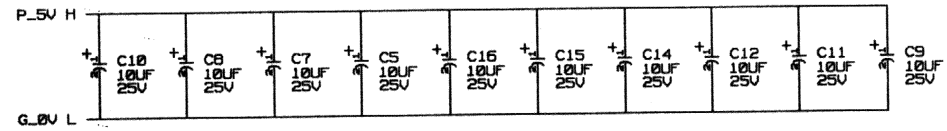
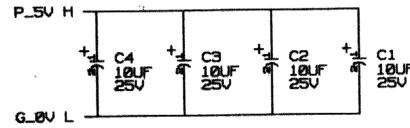
DRW. NAME	DAVID L. A. BRASH	DATE	25APR86	TITLE	digital		
DES. ENG. NAME		DATE		SPARES.LOGIC.1.1			
DES. ENG. NAME		DATE					
RESP. ENG. NAME		DATE		DOCUMENT NUMBER			
				SIZE	CODE	NUMBER	REV.
				B	CS	TBD00-0-0	A
TOP DOC NO.	SERVER_S.LOGIC.1.1			SCALE	NTS		SHEET 1 of 1

THIS DRAWING AND SPECIFICATIONS, HEREIN, ARE THE PROPERTY OF DIGITAL EQUIPMENT CORPORATION AND SHALL NOT BE REPRODUCED OR COPIED OR USED IN WHOLE OR IN PART AS THE BASIS FOR THE MANUFACTURE OR SALE OF ITEMS WITHOUT WRITTEN PERMISSION.

COPYRIGHT 1986 DIGITAL EQUIPMENT CORPORATION



(MICROVAX DECOUPLING)



REV	ECO NUMBER	DATE

DRAWING

PSU

Wed Jun 18 22:18:37 1986

NEXT HIGHER ASSEMBLY
SERVER_S.LOGIC.1.1

DES.	DATE	TITLE
DAVID L A BRASH	11APR86	PSU.LOGIC.1.1
CHK'D.	DATE	DOCUMENT NUMBER
NAME	DATE	
DES. ENG.	DATE	
NAME	DATE	
CHK'D.	DATE	SCALE NTS
NAME	DATE	NUMBER
TOP DOC NO.	SERVER_S.LOGIC.1.1	TBD00-0-0
REV.	A	SHEET 1 of 1

4

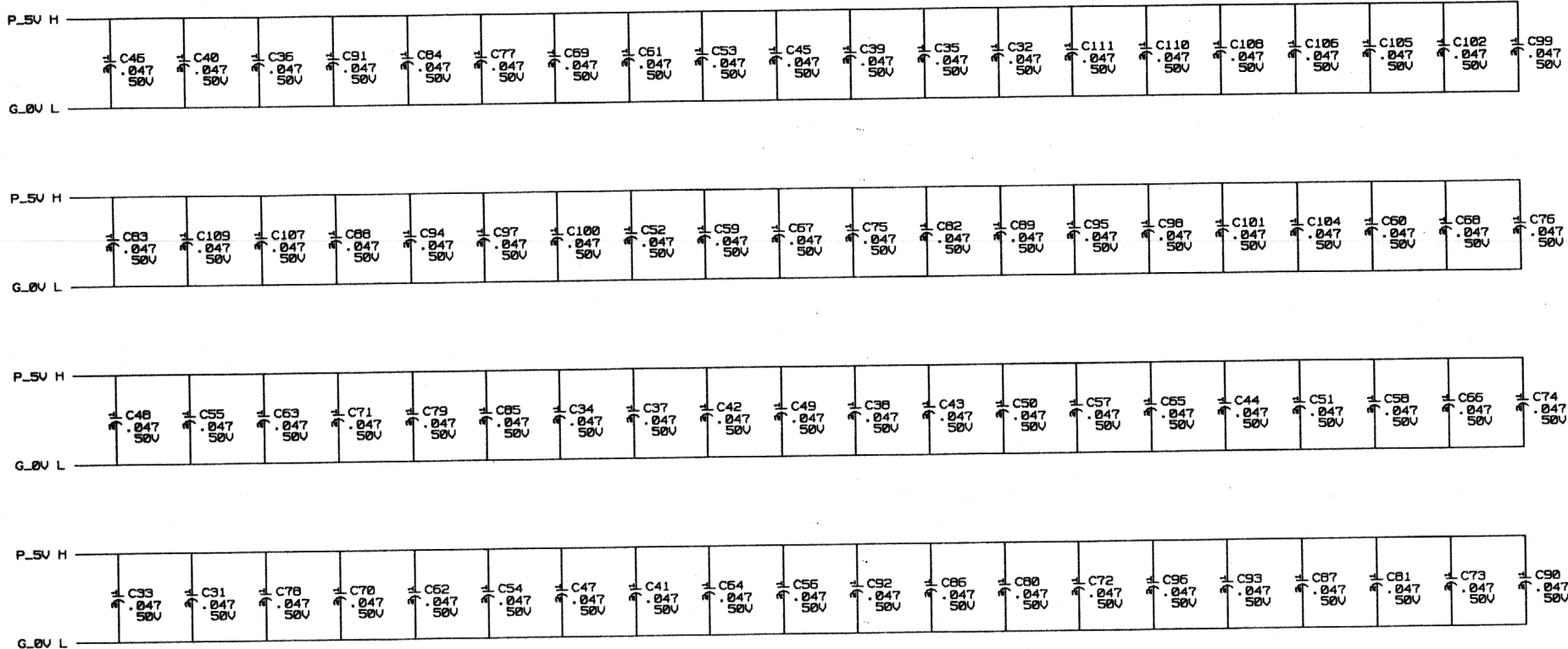
3

2

1

THIS DRAWING AND SPECIFICATIONS HEREIN ARE THE PROPERTY OF DIGITAL EQUIPMENT CORPORATION AND SHALL NOT BE REPRODUCED OR COPIED OR USED IN WHOLE OR IN PART AS THE BASIS FOR THE MANUFACTURE OR SALE OF ITEMS WITHOUT WRITTEN PERMISSION.

COPYRIGHT 1986 DIGITAL EQUIPMENT CORPORATION



REVISION HISTORY	REV	ECO NUMBER	DATE

DRAWING
 PSU
 PSU
 Wed Jun 18 22:20:43 1986

NEXT HIGHER ASSEMBLY
 SERVER_S.LOGIC.1.1

DRN DAVID L A BRASH	11APR86	TITLE digital PSU.LOGIC.1.2
CHK'D NAME	DATE	
DES. ENG. NAME	DATE	DOCUMENT NUMBER B CS TBD00-0-0
RESP. ENG. NAME	DATE	
PTG. ENG. NAME	DATE	REV. A
TOP DOC NO. SERVER_S.LOGIC.1.1	SERVER_S.LOGIC.1.1	SCALE NTS SHEET 1 of 2

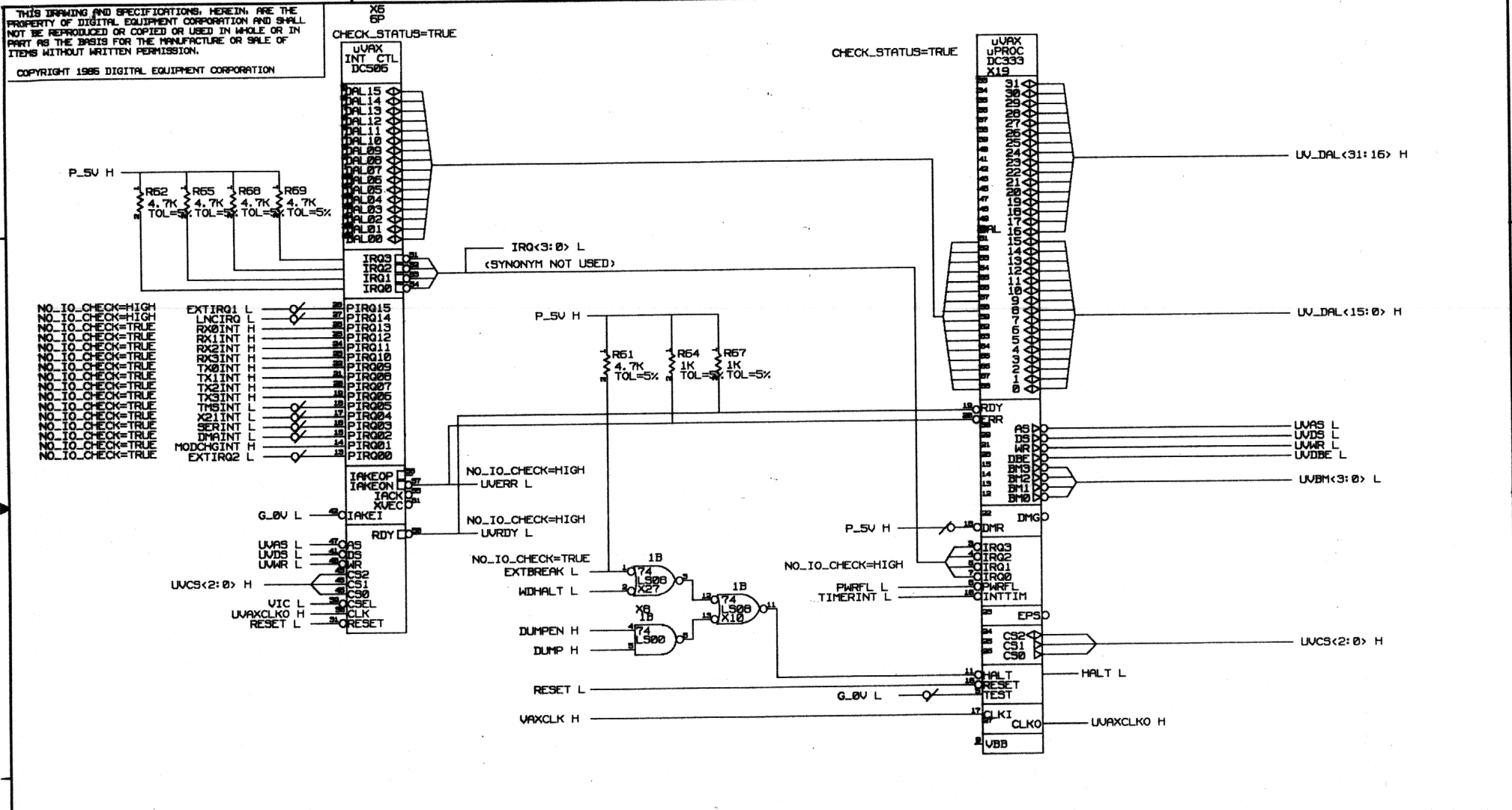
4

3

2

1

THIS DRAWING AND SPECIFICATIONS, HEREIN, ARE THE PROPERTY OF DIGITAL EQUIPMENT CORPORATION AND SHALL NOT BE REPRODUCED OR COPIED OR USED IN WHOLE OR IN PART AS THE BASIS FOR THE MANUFACTURE OR SALE OF ITEMS WITHOUT WRITTEN PERMISSION.
 COPYRIGHT 1986 DIGITAL EQUIPMENT CORPORATION



REVISION HISTORY	REV	ECO NUMBER	DATE

DRAWING
 PROCESSOR
 PROC
 Wed Jun 18 21:20:54 1986

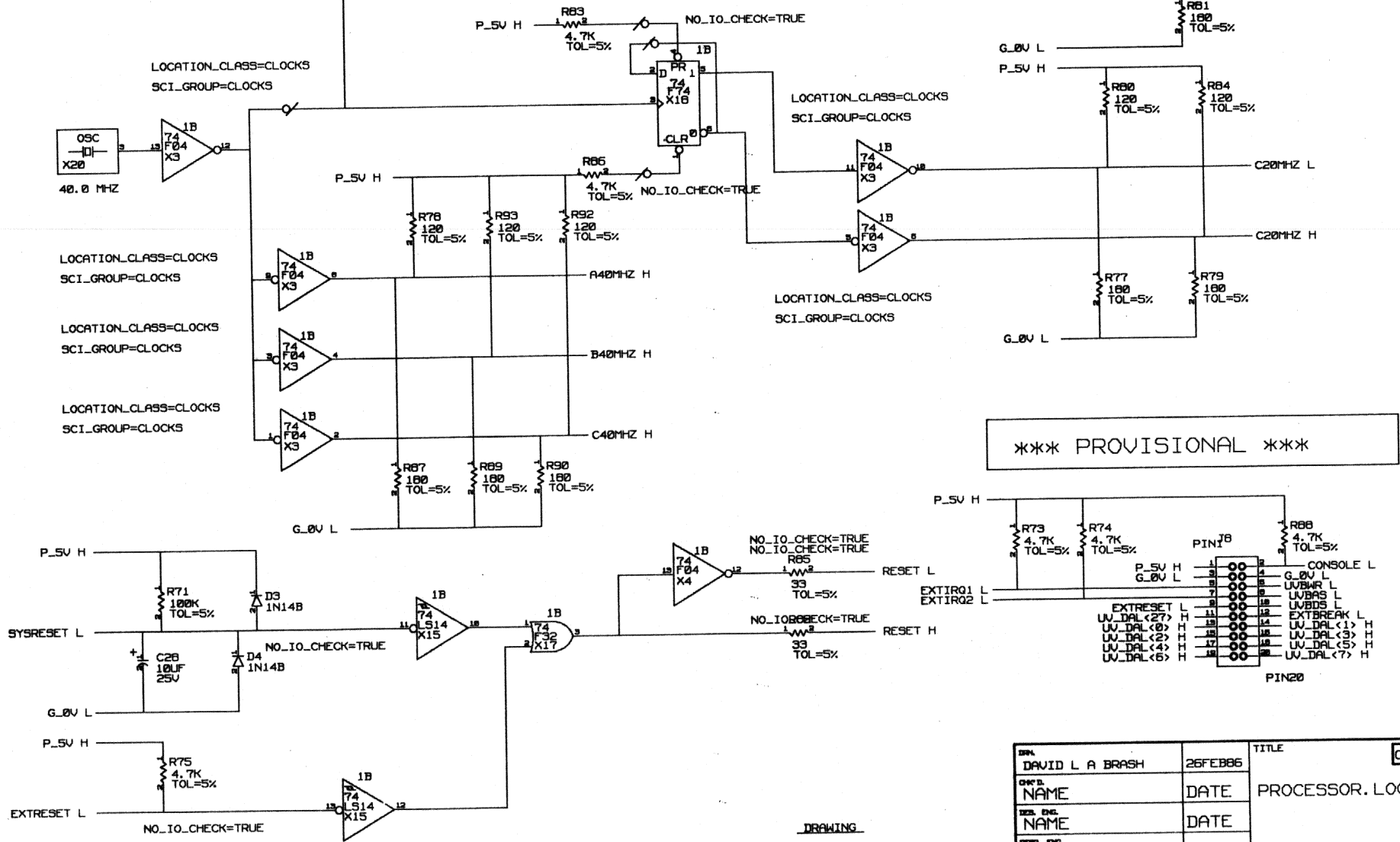
NEXT HEADER ASSEMBLY	SERVER_S.LOGIC.1.1	TOP DOC NO.	SERVER_S.LOGIC.1.1
----------------------	--------------------	-------------	--------------------

DES. NAME	DAVID L A BRASH	DATE	18FEB86	TITLE	digital
DES. ENG. NAME		DATE		PROCESSOR.LOGIC.1.1	
DES. ENG. NAME		DATE			
RESP. ENG. NAME		DATE			
WFG. ENG. NAME		DATE			
DOCUMENT NUMBER					
SIZE	B	CODE	CS	NUMBER	TBD00-0-0
SCALE	NTS	SHEET	1	TOTAL	2

1 BODY_TYPE=COMMENT

THIS DRAWING AND SPECIFICATIONS, HEREIN, ARE THE PROPERTY OF DIGITAL EQUIPMENT CORPORATION AND SHALL NOT BE REPRODUCED OR COPIED OR USED IN WHOLE OR IN PART AS THE BASIS FOR THE MANUFACTURE OR SALE OF ITEMS WITHOUT WRITTEN PERMISSION.

COPYRIGHT 1986 DIGITAL EQUIPMENT CORPORATION



*** PROVISIONAL ***

REVISION HISTORY
REV | ECO NUMBER | DATE

DRAWING
PROCESSOR
PROC
Wed Jun 18 21:23:09 1986

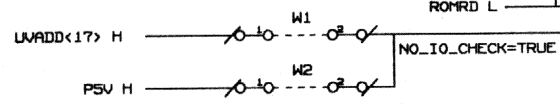
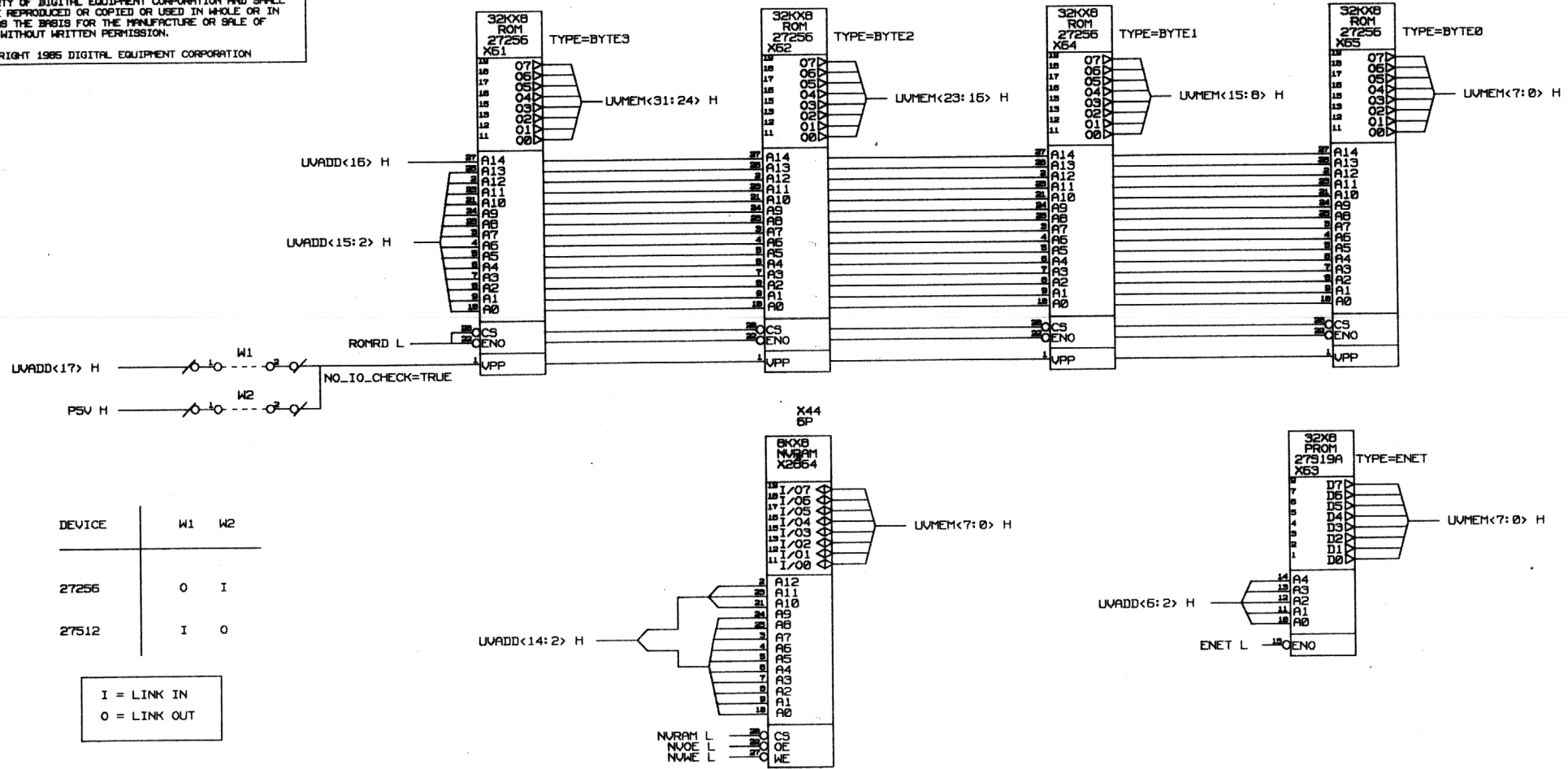
NEXT HIGHER ASSEMBLY: SERVER_S.LOGIC.1.1
TOP DOC NO.: SERVER_S.LOGIC.1.1

DES. NAME	DAVID L A BRASH	DATE	25FEB86	TITLE	digital
DES. ENG. NAME		DATE		PROCESSOR.LOGIC.1.2	
REP. ENG. NAME		DATE			
PPG. ENG. NAME		DATE			
				DOCUMENT NUMBER	
REV. B	CS	TBD00-0-0	A		
SCALE	NTS	SHEET 2 of 2			

BODY_TYPE=COMMENT

THIS DRAWING AND SPECIFICATIONS, HEREIN, ARE THE PROPERTY OF DIGITAL EQUIPMENT CORPORATION AND SHALL NOT BE REPRODUCED OR COPIED OR USED IN WHOLE OR IN PART AS THE BASIS FOR THE MANUFACTURE OR SALE OF ITEMS WITHOUT WRITTEN PERMISSION.

COPYRIGHT 1985 DIGITAL EQUIPMENT CORPORATION



DEVICE	W1	W2
27256	0	I
27512	I	0

I = LINK IN
0 = LINK OUT

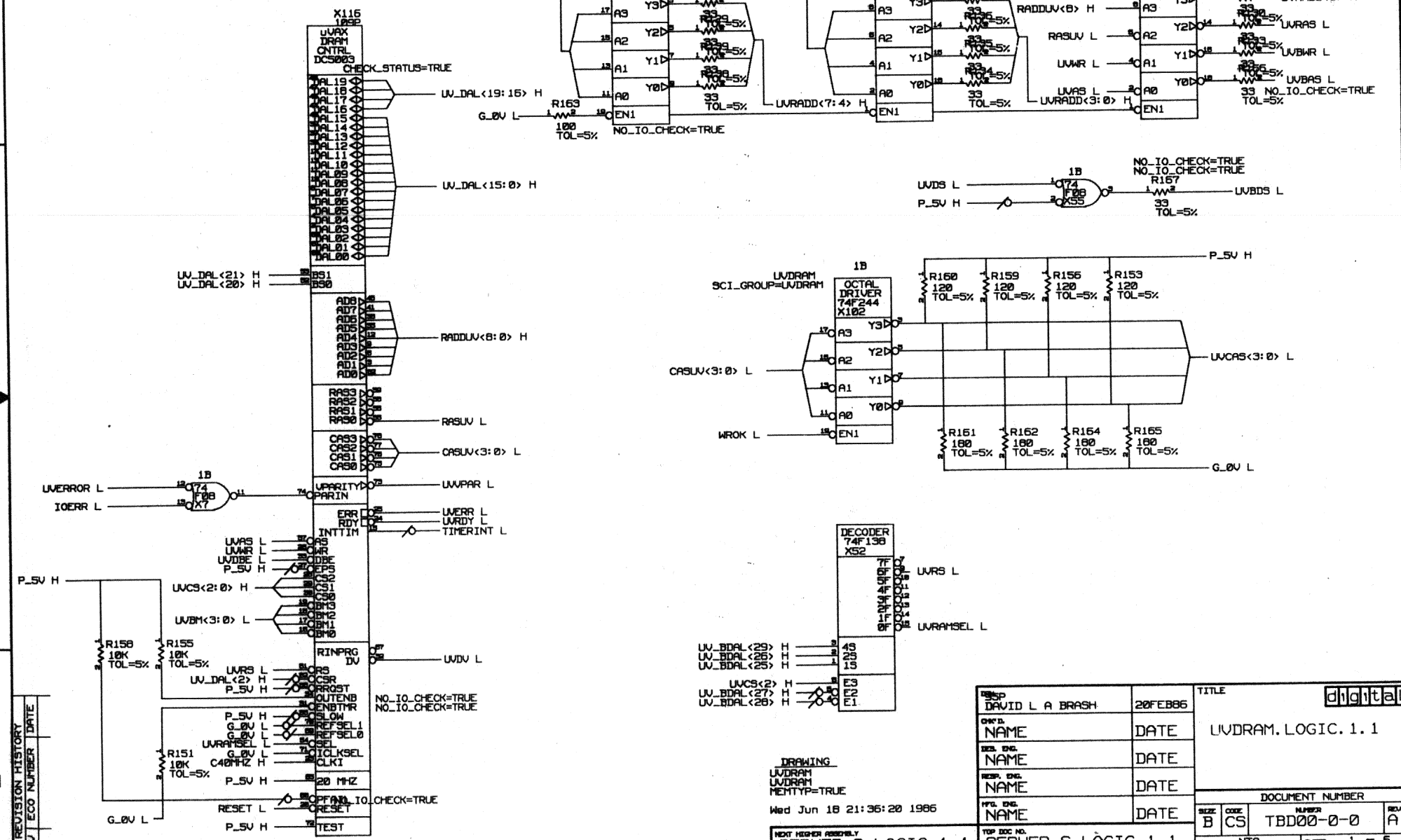
REV	ECO NUMBER	DATE

DRW. DAVID L A BRASH	18FE886	TITLE	digital
DATE NAME	DATE	NUMEM.LOGIC. 1. 1	
DES. ENG. NAME	DATE		
REF. ENG. NAME	DATE		
WFO. ENG. NAME	DATE		
TOP DOC NO. SERVER_S.LOGIC. 1. 1	SERVER_S.LOGIC. 1. 1	DOCUMENT NUMBER	
		SIZE B	CODE CS
		NUMBER TBD00-0-0	REV. A
		SCALE NTS	SHEET 1 of 1

DRAWING
NUMEM
NUMEM
Wed Jun 18 22:09:36 1985

BODY_TYPE=COMMENT

THIS DRAWING AND SPECIFICATIONS, HEREIN, ARE THE PROPERTY OF DIGITAL EQUIPMENT CORPORATION AND SHALL NOT BE REPRODUCED OR COPIED OR USED IN WHOLE OR IN PART AS THE BASIS FOR THE MANUFACTURE OR SALE OF ITEMS WITHOUT WRITTEN PERMISSION.
 COPYRIGHT 1985 DIGITAL EQUIPMENT CORPORATION



REV	ECO NUMBER	DATE

DRAWING
 UVDRAM
 MENTYP=TRUE
 Wed Jun 18 21:35:20 1985

DESIGN	DATE
DAVID L A BRASH	20FE885
NAME	DATE
NAME	DATE
NAME	DATE
NAME	DATE

TITLE		DOCUMENT NUMBER	
digital		TBD00-0-0	
REV	CODE	NUMBER	REV
B	CS	TBD00-0-0	A
SCALE NTS		SHEET 1 of 5	

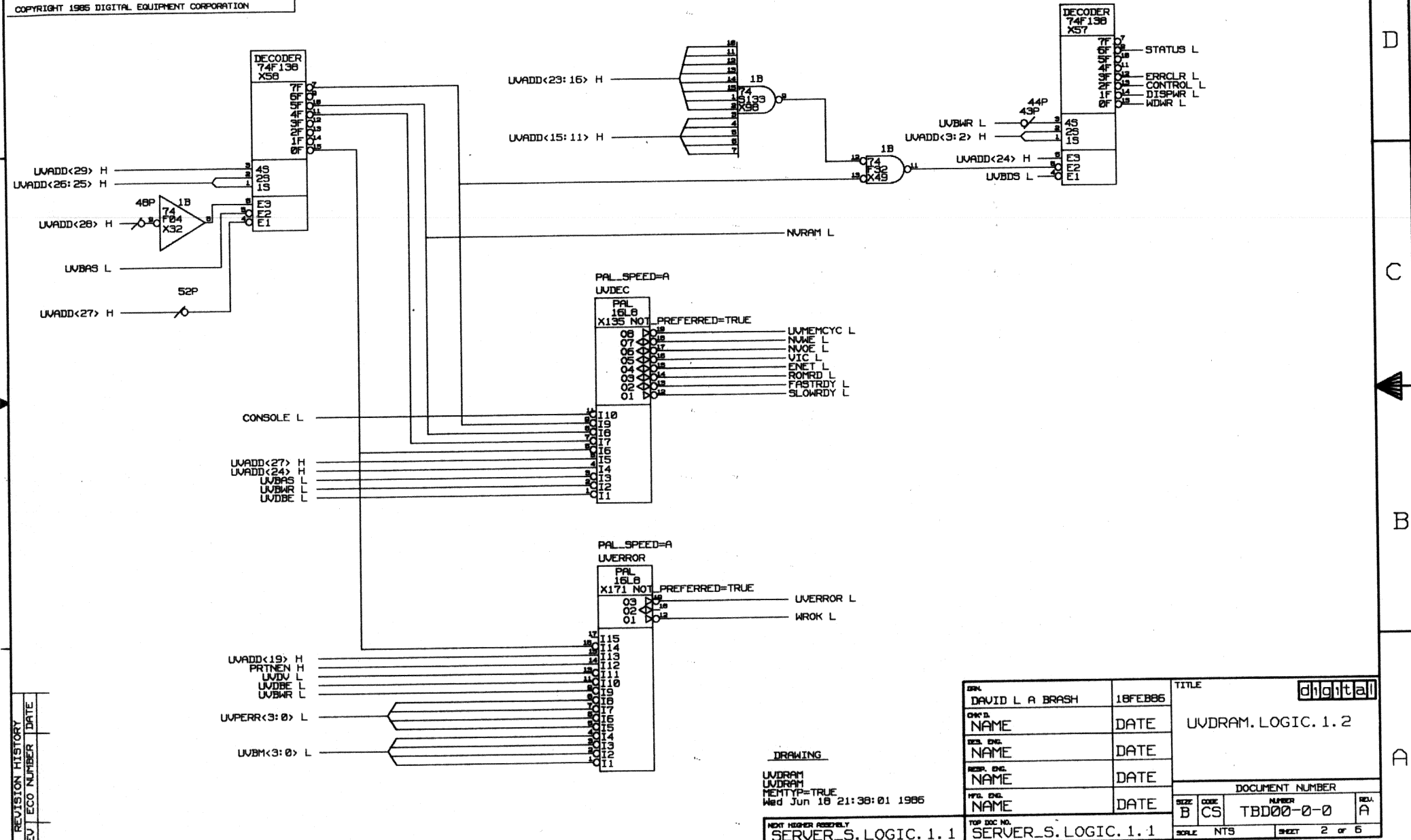
NEXT HIGHER ASSEMBLY
 SERVER_S.LOGIC.1.1

TOP DOC NO.
 SERVER_S.LOGIC.1.1

BODY_TYPE=COMMENT

THIS DRAWING AND SPECIFICATIONS, HEREIN, ARE THE PROPERTY OF DIGITAL EQUIPMENT CORPORATION AND SHALL NOT BE REPRODUCED OR COPIED OR USED IN WHOLE OR IN PART AS THE BASIS FOR THE MANUFACTURE OR SALE OF ITEMS WITHOUT WRITTEN PERMISSION.

COPYRIGHT 1985 DIGITAL EQUIPMENT CORPORATION



REV	ECO NUMBER	DATE

DRAWING
 UVDRAM
 UVDRAW
 MEMTYP=TRUE
 Wed Jun 18 21:38:01 1986

NEXT HIGHER ASSEMBLY
 SERVER_S.LOGIC.1.1

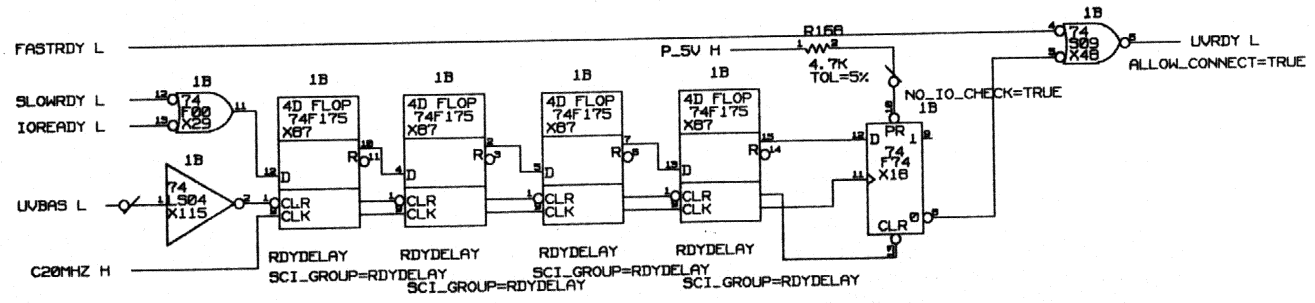
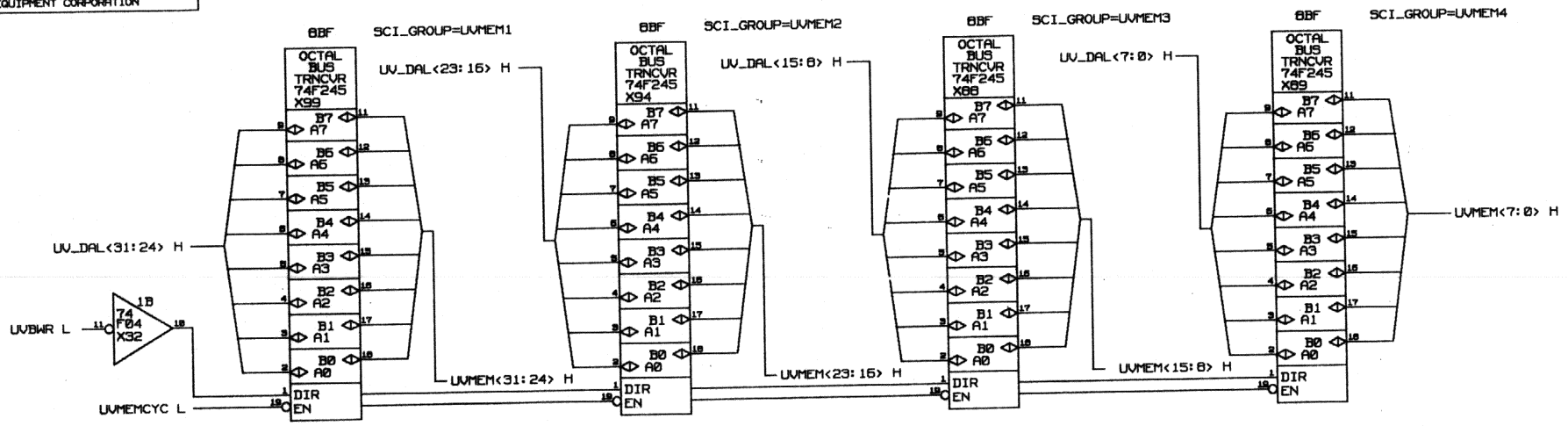
DES. NAME	DATE
DAVID L A BRASH	18FE886
DES. ENG. NAME	DATE
RES. ENG. NAME	DATE
WFO. ENG. NAME	DATE
TOP DOC NO.	SERVER_S.LOGIC.1.1

TITLE	
digital	
UVDRAM.LOGIC.1.2	
DOCUMENT NUMBER	
SIZE B	CODE CS
NUMBER TBD00-0-0	REV. A
SCALE NTS	SHEET 2 OF 6

BODY_TYPE=COMMENT

THIS DRAWING AND SPECIFICATIONS, HEREIN, ARE THE PROPERTY OF DIGITAL EQUIPMENT CORPORATION AND SHALL NOT BE REPRODUCED OR COPIED OR USED IN WHOLE OR IN PART AS THE BASIS FOR THE MANUFACTURE OR SALE OF ITEMS WITHOUT WRITTEN PERMISSION.

COPYRIGHT 1985 DIGITAL EQUIPMENT CORPORATION



REVISION HISTORY
REV. ECO NUMBER DATE

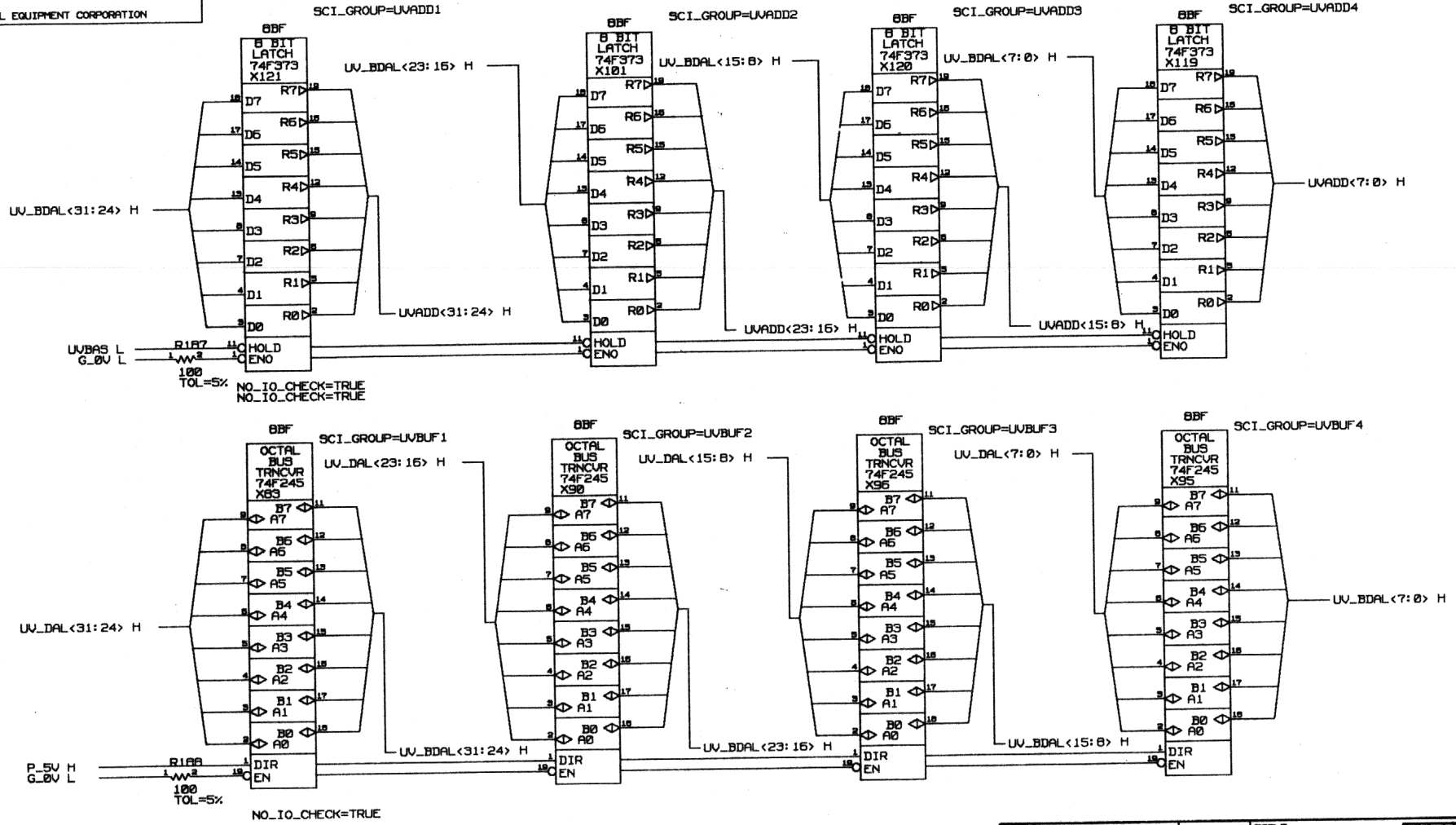
DRAWING
UVDAM
UVDAM
MEMTYP=TRUE
Wed Jun 18 21:39:38 1985
NEXT HIGHER ASSEMBLY
SERVER_S.LOGIC.1.1

DES. NAME	DAVID L A BRASH	DATE	18FE886	TITLE	digital
DES. NAME		DATE		UVDAM.LOGIC.1.3	
REV. ENG. NAME		DATE			
REV. ENG. NAME		DATE			
REV. ENG. NAME		DATE			
TOP DOC NO.	SERVER_S.LOGIC.1.1	TOP DOC NO.	SERVER_S.LOGIC.1.1	DOCUMENT NUMBER	
SCALE	NTS	SIZE	B CS	NUMBER	TBD00-0-0
				REV.	A
				SHEET	3 of 5

BODY_TYPE=COMMENT

THIS DRAWING AND SPECIFICATIONS, HEREIN, ARE THE PROPERTY OF DIGITAL EQUIPMENT CORPORATION AND SHALL NOT BE REPRODUCED OR COPIED OR USED IN WHOLE OR IN PART AS THE BASIS FOR THE MANUFACTURE OR SALE OF ITEMS WITHOUT WRITTEN PERMISSION.

COPYRIGHT 1985 DIGITAL EQUIPMENT CORPORATION

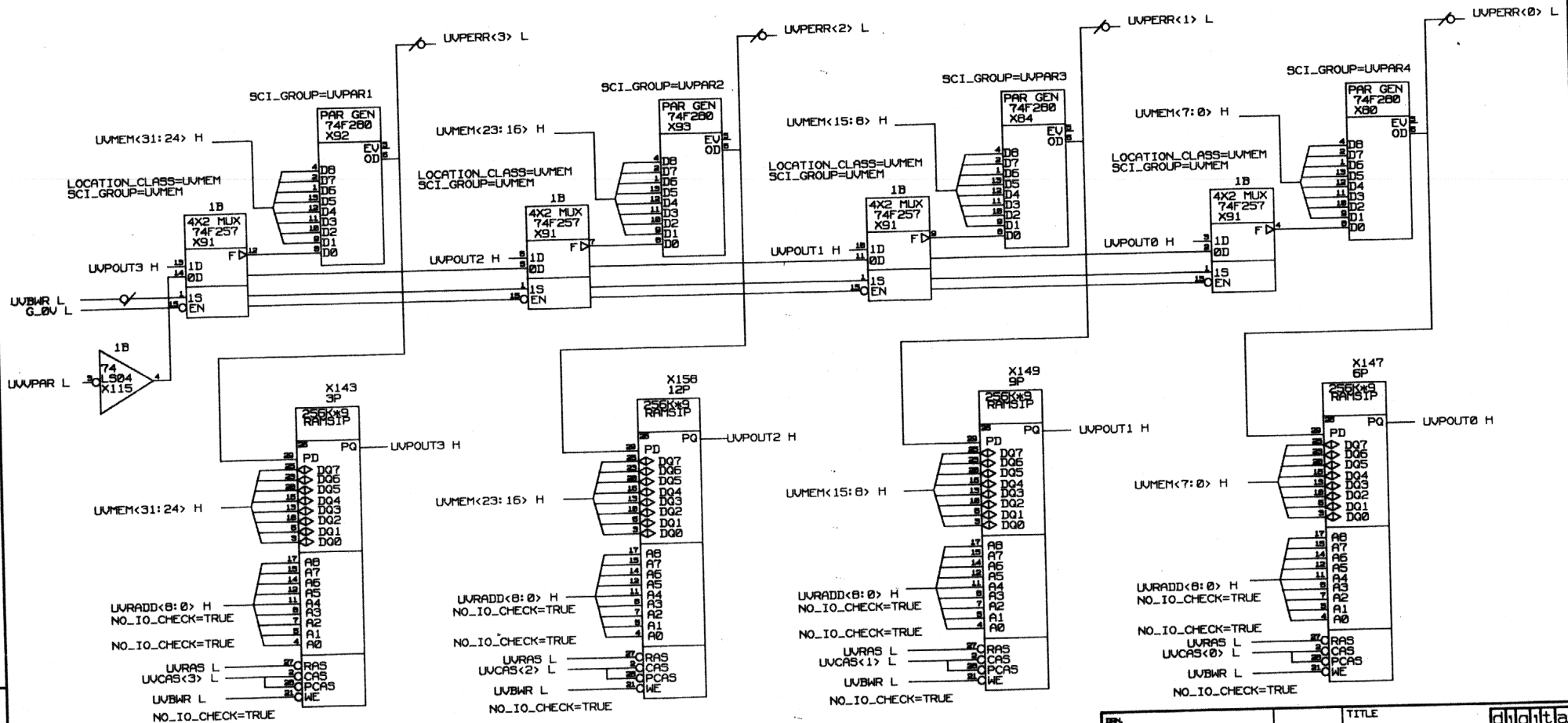


REV	ECO NUMBER	DATE

DRAWING
 UVDRAM
 UVDRAM
 MENTYP=TRUE
 Wed Jun 18 21:42:41 1985
 NEXT HIGHER ASSEMBLY
 SERVER_S.LOGIC.1.1

DES. NAME	DAVID L A BRASH	DATE	18FEB86	TITLE digital UVDRAM.LOGIC.1.4
DES. ENG. NAME	NAME	DATE		
RESP. ENG. NAME	NAME	DATE		
WFO. ENG. NAME	NAME	DATE		
DOCUMENT NUMBER				REV. A
SIZE	B	CODE	CS	
TOP DOC NO.		SERVER_S.LOGIC.1.1		DOCUMENT NUMBER
SCALE	NTS	SHEET	4 of 5	

THIS DRAWING AND SPECIFICATIONS, HEREIN, ARE THE PROPERTY OF DIGITAL EQUIPMENT CORPORATION AND SHALL NOT BE REPRODUCED OR COPIED OR USED IN WHOLE OR IN PART AS THE BASIS FOR THE MANUFACTURE OR SALE OF ITEMS WITHOUT WRITTEN PERMISSION.
 COPYRIGHT 1985 DIGITAL EQUIPMENT CORPORATION



REV	ECO NUMBER	DATE

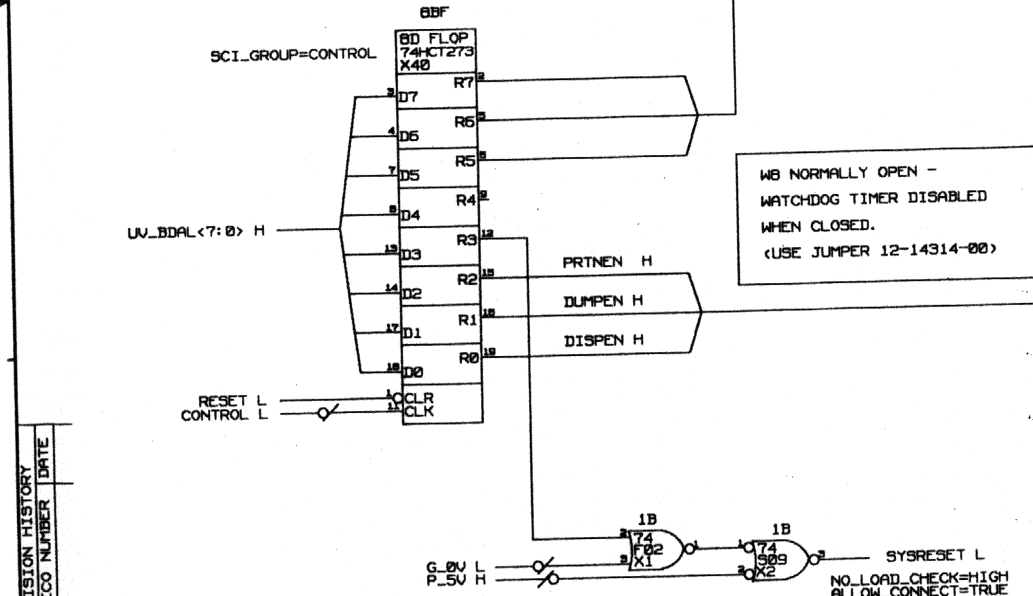
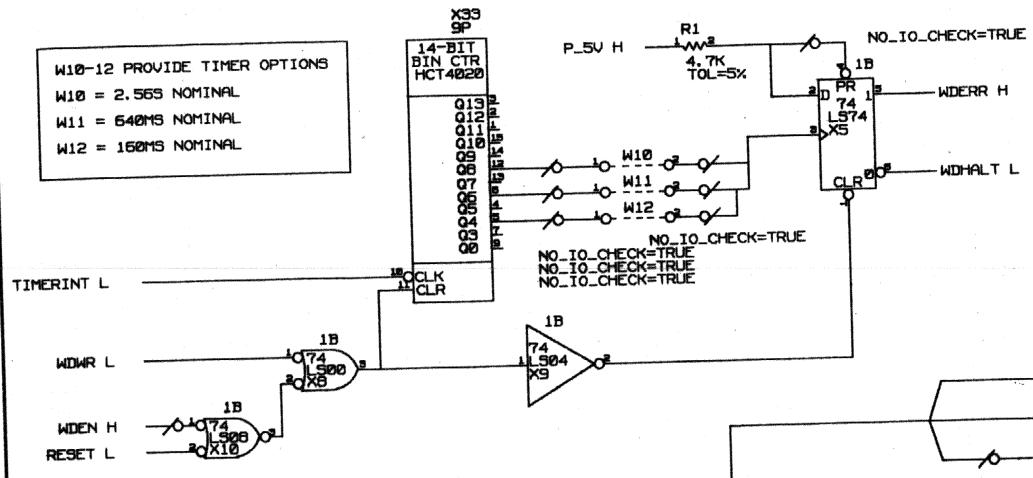
DRAWING
 UVDram
 UVDram
 MEMTYP=RAMSIP
 Wed Jun 18 21:45:06 1986
 NEXT HIGHER ASSEMBLY
 SERVER_S.LOGIC.1.1

SER.	NAME	DATE	TITLE
DAVID L A BRASH	DAVID L A BRASH	19MAR86	UVDram.LOGIC.1.5
DES. ENG.	NAME	DATE	
RES. ENG.	NAME	DATE	
WFO. ENG.	NAME	DATE	
TOP DOC NO.	SERVER_S.LOGIC.1.1		
DOCUMENT NUMBER			
SIZE	CODE	NUMBER	REV.
B	CS	TBD00-0-0	A
SCALE NTS			SHEET 5 of 5

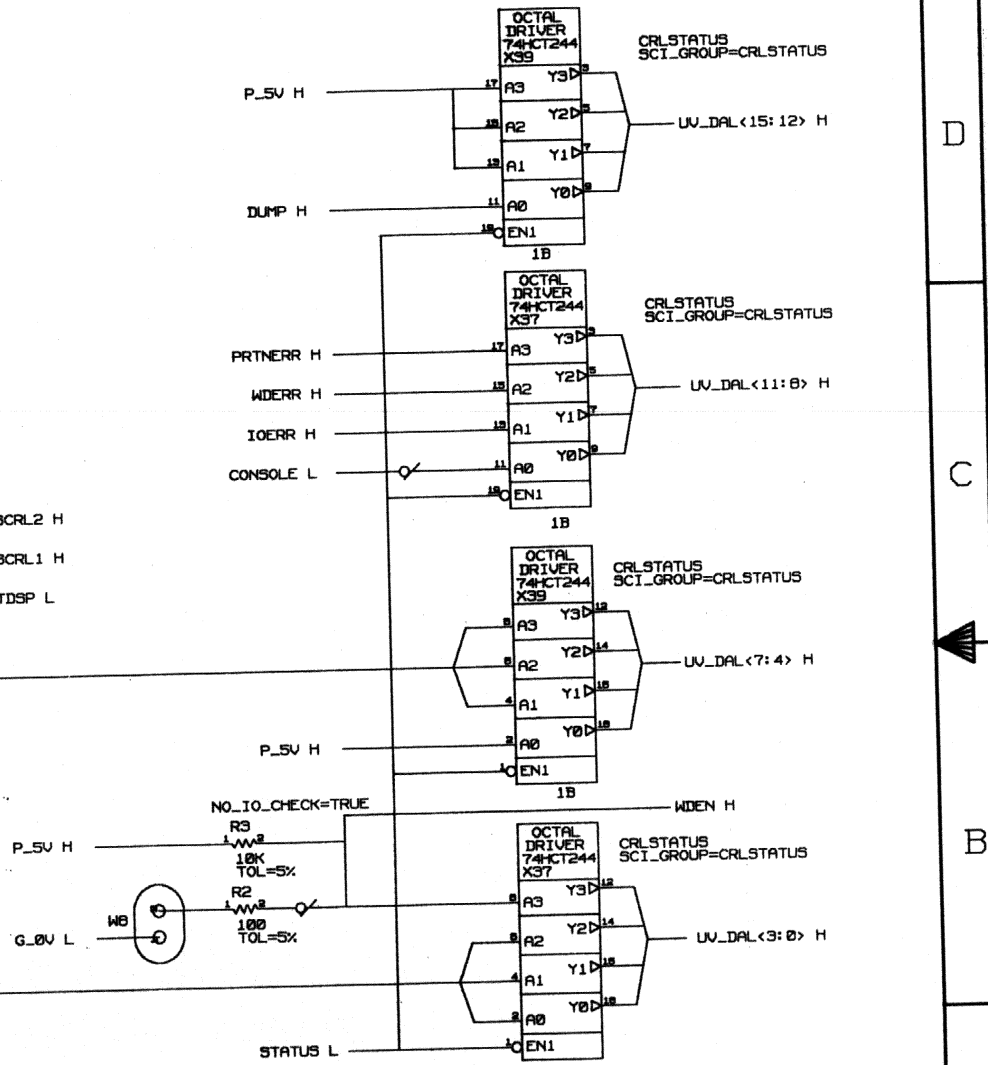
THIS DRAWING AND SPECIFICATIONS, HEREIN, ARE THE PROPERTY OF DIGITAL EQUIPMENT CORPORATION AND SHALL NOT BE REPRODUCED OR COPIED OR USED IN WHOLE OR IN PART AS THE BASIS FOR THE MANUFACTURE OR SALE OF ITEMS WITHOUT WRITTEN PERMISSION.

COPYRIGHT 1985 DIGITAL EQUIPMENT CORPORATION

W10-12 PROVIDE TIMER OPTIONS
 W10 = 2.56S NOMINAL
 W11 = 640MS NOMINAL
 W12 = 160MS NOMINAL



REV	ECO NUMBER	DATE



W6 NORMALLY OPEN -
 WATCHDOG TIMER DISABLED
 WHEN CLOSED.
 (USE JUMPER 12-14314-00)

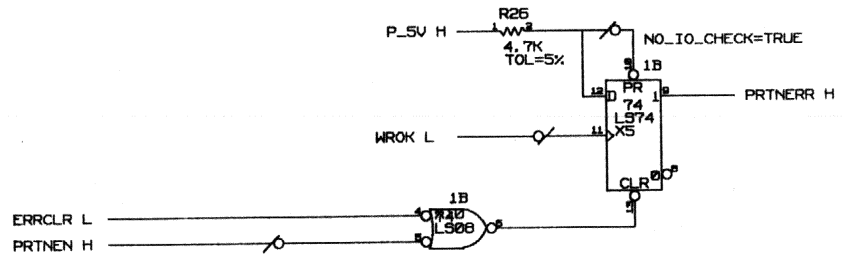
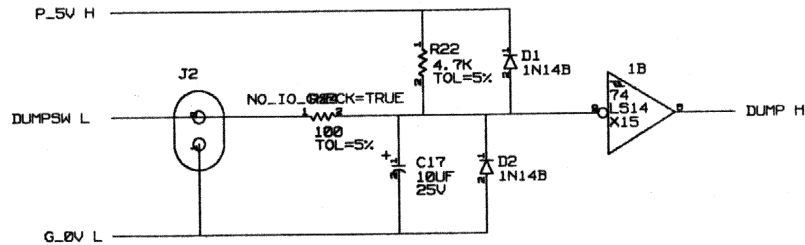
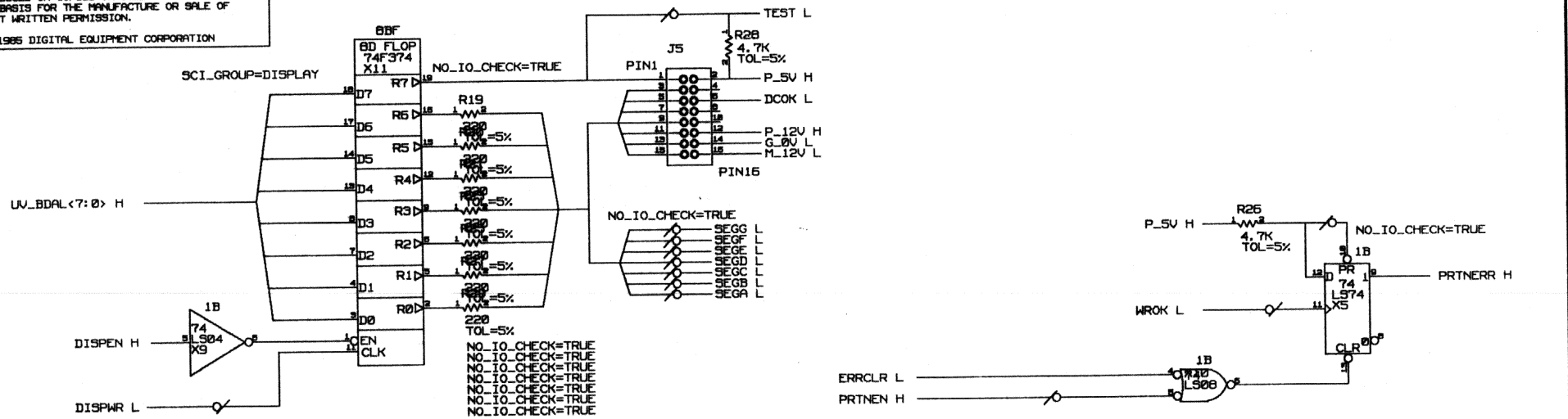
DRAWING
 REGISTERS
 REG
 Wed Jun 18 21:27:52 1985

NEXT HIGHER ASSEMBLY
 SERVER_S.LOGIC.1.1 SERVER_S.LOGIC.1.1

DESIGN	DAVID L A BRASH	DATE	7MAR85	TITLE	DIGITAL						
CHG'D	NAME	DATE			REGISTERS.LOGIC.1.1						
DESIGN	NAME	DATE									
RESP. ENG.	NAME	DATE									
WPG. ENG.	NAME	DATE									
TOP DOC NO.	SERVER_S.LOGIC.1.1			SCALE	NTS	SHEET	1 of 2				
				SIZE	B	CODE	CS	NUMBER	TBD00-0-0	REV.	A
BODY_TYPE=COMMENT											

THIS DRAWING AND SPECIFICATIONS, HEREIN, ARE THE PROPERTY OF DIGITAL EQUIPMENT CORPORATION AND SHALL NOT BE REPRODUCED OR COPIED OR USED IN WHOLE OR IN PART AS THE BASIS FOR THE MANUFACTURE OR SALE OF ITEMS WITHOUT WRITTEN PERMISSION.

COPYRIGHT 1985 DIGITAL EQUIPMENT CORPORATION



REV	ECO NUMBER	DATE

DRAWING
REGISTERS
REG

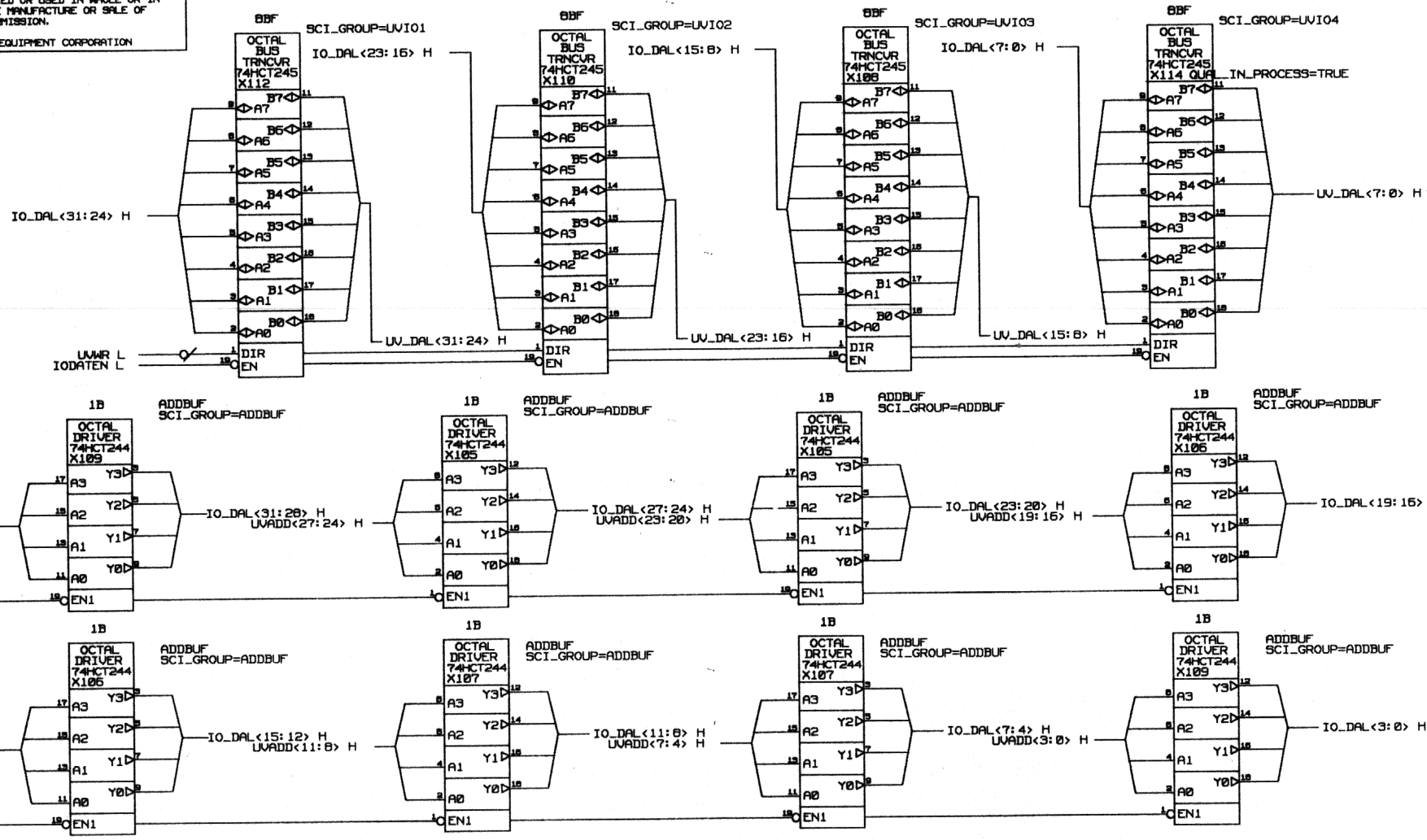
Wed Jun 18 21:30:15 1986

NEXT HIGHER ASSEMBLY
SERVER_S.LOGIC.1.1

DRW. DAVID L A BRASH	20FEB86	TITLE	digital
CHK'D. NAME	DATE	REGISTERS.LOGIC.1.2	
DES. ENG. NAME	DATE		
REP. ENG. NAME	DATE		
WFO. ENG. NAME	DATE	DOCUMENT NUMBER	
TOP DOC NO. SERVER_S.LOGIC.1.1		SIZE B	CODE CS
		NUMBER TBD00-0-0	REV. A
		SCALE NTS	SHEET 2 of 2

BODY_TYPE=COMMENT

THIS DRAWING AND SPECIFICATIONS, HEREIN, ARE THE PROPERTY OF DIGITAL EQUIPMENT CORPORATION AND SHALL NOT BE REPRODUCED OR COPIED OR USED IN WHOLE OR IN PART AS THE BASIS FOR THE MANUFACTURE OR SALE OF ITEMS WITHOUT WRITTEN PERMISSION.
 COPYRIGHT 1985 DIGITAL EQUIPMENT CORPORATION



REVISION HISTORY	REV	ECO NUMBER	DATE

DRAWING
 IOBUFFER
 IOBUF
 Wed Jun 18 22:05:23 1985
 NEXT HIGHER ASSEMBLY
 SERVER_S. LOGIC. 1. 1

DRN DAVID L A BRASH	11APR85	TITLE IOBUFFER.LOGIC. 1. 1
CHK'D NAME	DATE	DOCUMENT NUMBER B CS TBD00-0-0
DES. ENG. NAME	DATE	
RESP. ENG. NAME	DATE	
WFO. ENG. NAME	DATE	
TOP DOC NO. SERVER_S. LOGIC. 1. 1	SCALE NTS	REV. A
SHEET 1 of 2		

4

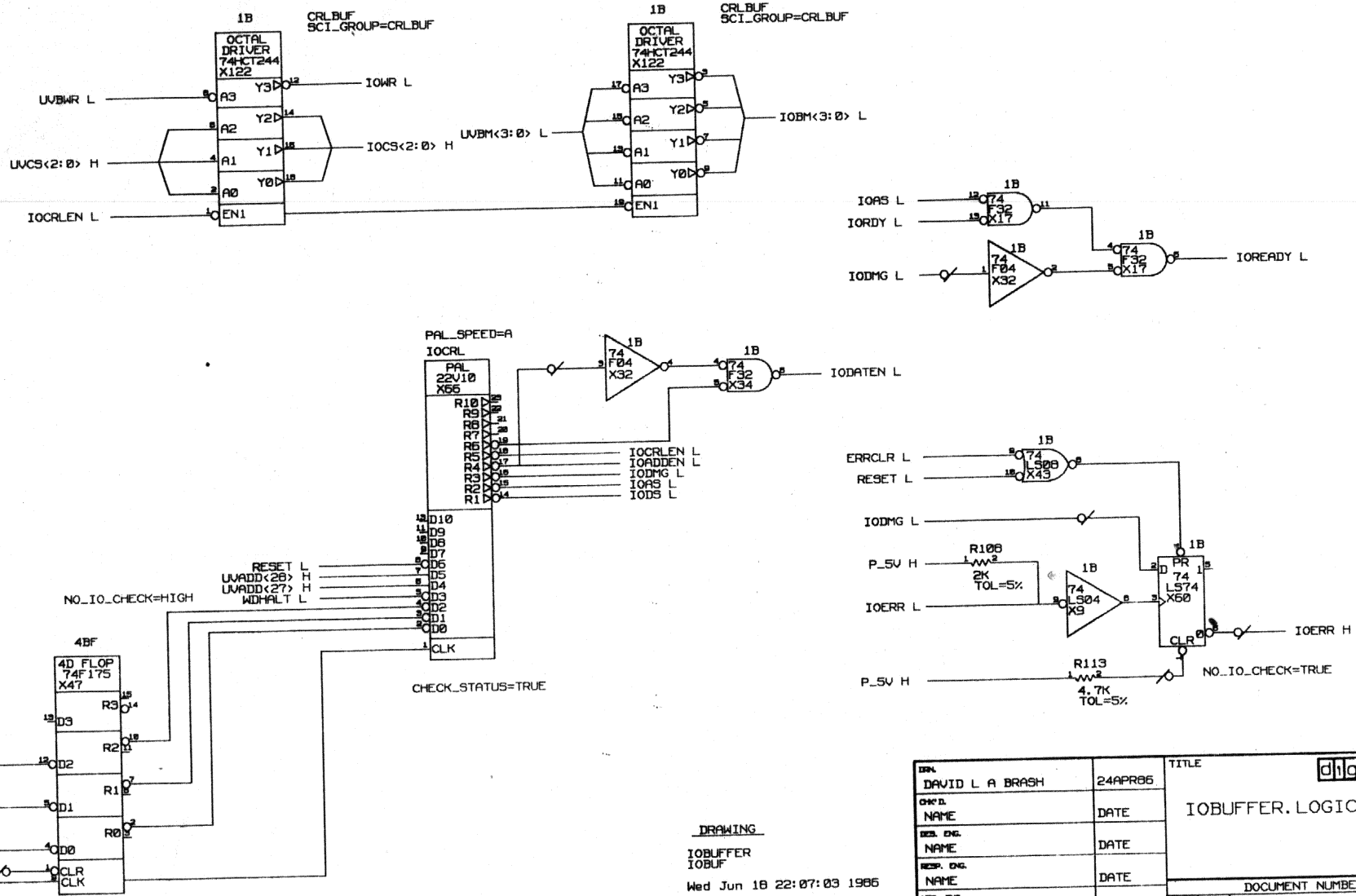
3

2

1

THIS DRAWING AND SPECIFICATIONS, HEREIN, ARE THE PROPERTY OF DIGITAL EQUIPMENT CORPORATION AND SHALL NOT BE REPRODUCED OR COPIED OR USED IN WHOLE OR IN PART AS THE BASIS FOR THE MANUFACTURE OR SALE OF ITEMS WITHOUT WRITTEN PERMISSION.

COPYRIGHT 1986 DIGITAL EQUIPMENT CORPORATION



REV	ECO NUMBER	DATE

DRAWING
IOBUFFER
IOBUF
Wed Jun 18 22:07:03 1986

DRN DAVID L A BRASH	24APR86	TITLE digital
CHK'D NAME	DATE	IOBUFFER.LOGIC.1.2
DES. ENG. NAME	DATE	
REP. ENG. NAME	DATE	
MFG. ENG. NAME	DATE	
TOP DOC NO. SERVER_S.LOGIC.1.1		DOCUMENT NUMBER TB000-0-0
		REV. A
		SCALE NTS SHEET 2 OF 2

4

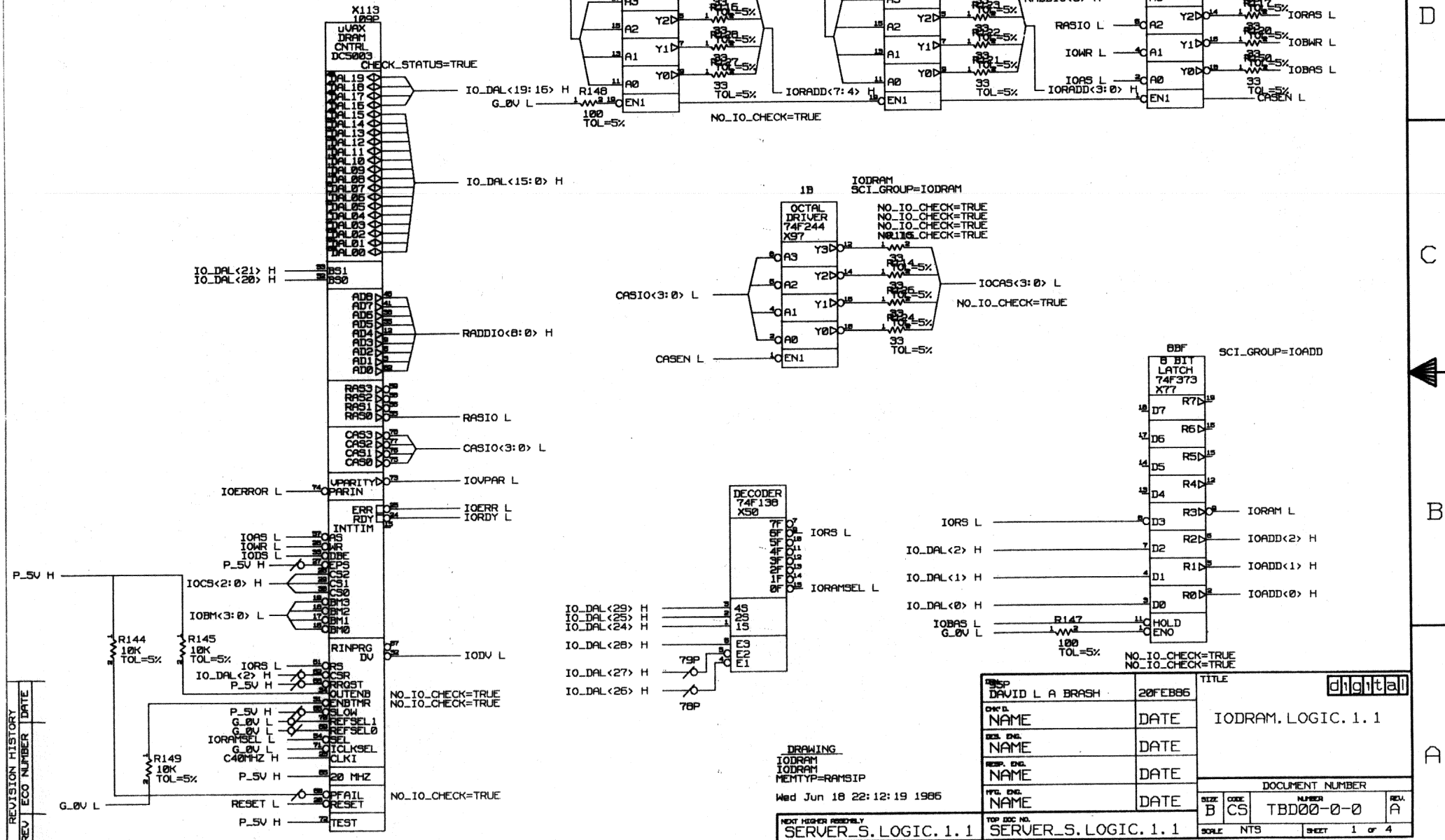
3

2

1

THIS DRAWING AND SPECIFICATIONS, HEREIN, ARE THE PROPERTY OF DIGITAL EQUIPMENT CORPORATION AND SHALL NOT BE REPRODUCED OR COPIED OR USED IN WHOLE OR IN PART AS THE BASIS FOR THE MANUFACTURE OR SALE OF ITEMS WITHOUT WRITTEN PERMISSION.

COPYRIGHT 1985 DIGITAL EQUIPMENT CORPORATION



REV	ECO	NUMBER	DATE

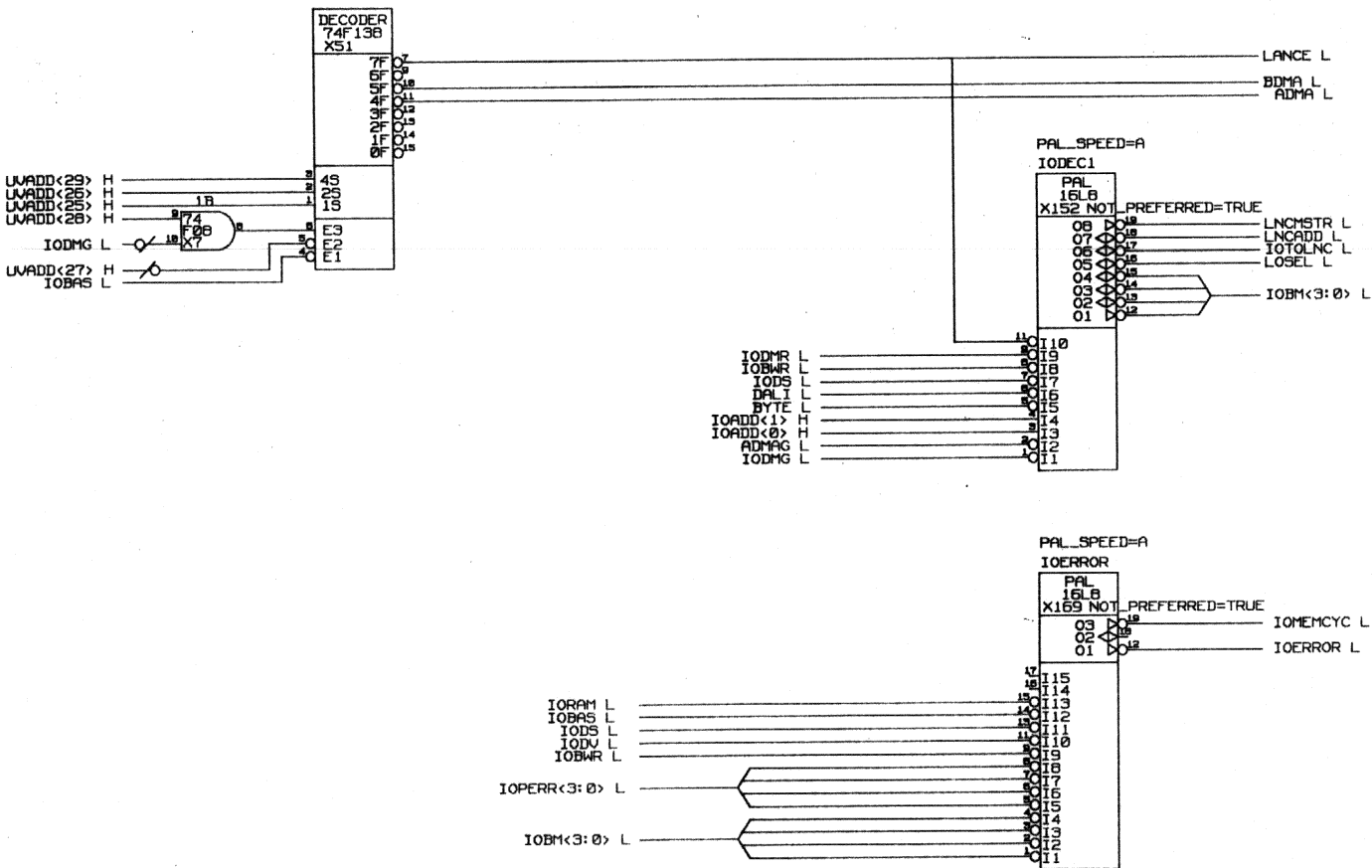
DESIGNER DAVID L A BRASH	DATE 20 FEB 86	TITLE IODRAM.LOGIC.1.1
DESIGNER NAME	DATE	
RESP. ENGR NAME	DATE	
RESP. ENGR NAME	DATE	
TOP DOC NO. SERVER_S.LOGIC.1.1		

DOCUMENT NUMBER		
SIZE B	CODE CS	NUMBER TBD00-0-0
SCALE NTS	SHEET 1	REV A

DRAWING
IODRAM
IEMTYP=RAMSIP
Wed Jun 18 22:12:19 1986
NEXT HIGHER ASSEMBLY
SERVER_S.LOGIC.1.1

THIS DRAWING AND SPECIFICATIONS HEREIN ARE THE PROPERTY OF DIGITAL EQUIPMENT CORPORATION AND SHALL NOT BE REPRODUCED OR COPIED OR USED IN WHOLE OR IN PART AS THE BASIS FOR THE MANUFACTURE OR SALE OF ITEMS WITHOUT WRITTEN PERMISSION.

COPYRIGHT 1985 DIGITAL EQUIPMENT CORPORATION



REVISION HISTORY
REV. ECO NUMBER DATE

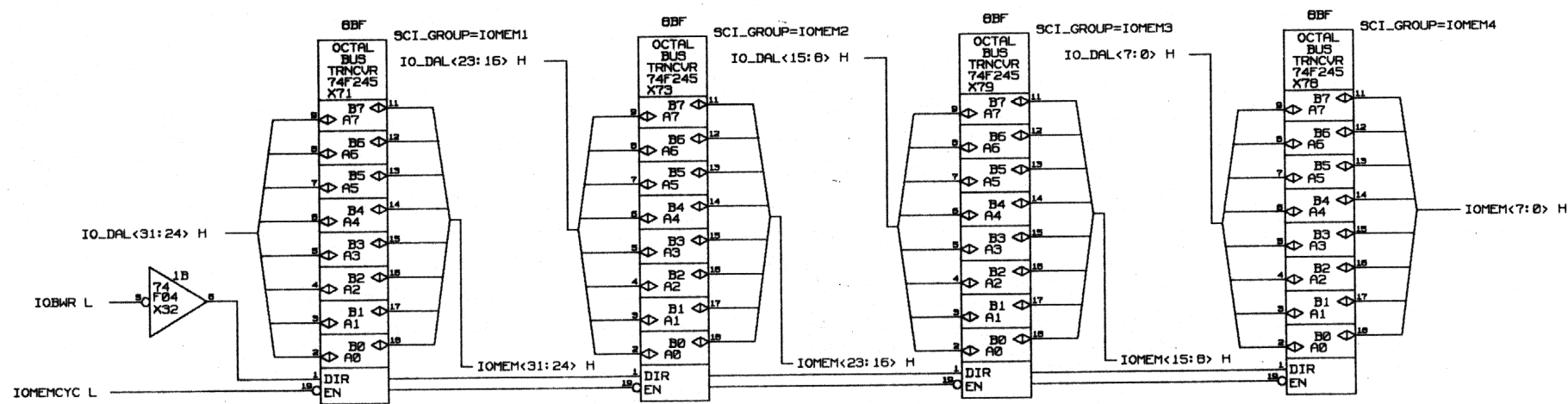
DRAWING
IODRAM
IODRAM
MENTYP=TRUE
Wed Jun 18 22:13:50 1986

NEXT HIGHER ASSEMBLY
SERVER_S.LOGIC.1.1

DES. NAME DAVID L A BRASH	DATE 18FEB86	TITLE digital
DES. ENG. NAME	DATE	IODRAM.LOGIC.1.2
DES. ENG. NAME	DATE	
RESP. ENG. NAME	DATE	DOCUMENT NUMBER
FFG. ENG. NAME	DATE	
TOP DOC NO. SERVER_S.LOGIC.1.1	SCALE NTS	NUMBER TBD00-0-0
		REV. A
		SHEET 2 OF 5

THIS DRAWING AND SPECIFICATIONS HEREIN ARE THE PROPERTY OF DIGITAL EQUIPMENT CORPORATION AND SHALL NOT BE REPRODUCED OR COPIED OR USED IN WHOLE OR IN PART AS THE BASIS FOR THE MANUFACTURE OR SALE OF ITEMS WITHOUT WRITTEN PERMISSION.

COPYRIGHT 1985 DIGITAL EQUIPMENT CORPORATION



REV	ECO NUMBER	DATE

DRAWING
IODRAM
IODRAM
MEMTYP=TRUE
Wed Jun 18 22:15:18 1986

NEXT HIGHER ASSEMBLY
SERVER_S.LOGIC.1.1

DES. NAME	DAVID L A BRASH	DATE	18FEB86	TITLE	digital						
DES. NAME		DATE									
DES. NAME		DATE		DOCUMENT NUMBER	TBD00-0-0						
DES. NAME		DATE									
DES. NAME		DATE		SIZE	B	CODE	CS	NUMBER	TBD00-0-0	REV.	A
TOP DOC NO.	SERVER_S.LOGIC.1.1	SCALE	NTS	SHEET	3	OF	5	BODY_TYPE=COMMENT			

4

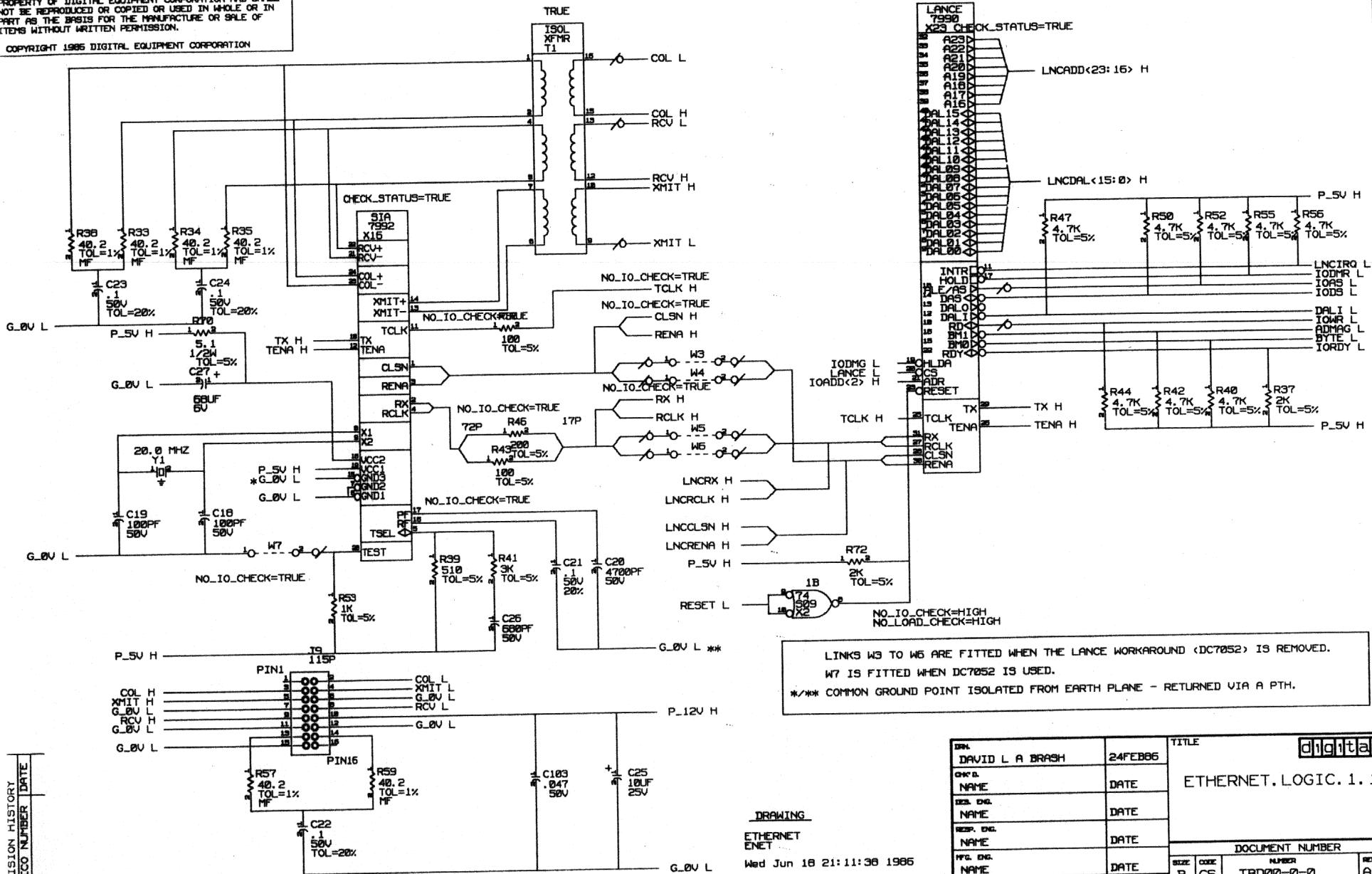
3

2

1

THIS DRAWING AND SPECIFICATIONS, HEREIN, ARE THE PROPERTY OF DIGITAL EQUIPMENT CORPORATION AND SHALL NOT BE REPRODUCED OR COPIED OR USED IN WHOLE OR IN PART AS THE BASIS FOR THE MANUFACTURE OR SALE OF ITEMS WITHOUT WRITTEN PERMISSION.

COPYRIGHT 1985 DIGITAL EQUIPMENT CORPORATION



REV	ECO NUMBER	DATE

DRAWING
 ETHERNET ENET
 Wed Jun 18 21:11:38 1985

NEXT HIGHER ASSEMBLY
 SERVER_S.LOGIC.1.1

DES. NAME	DAVID L A BRASH	DATE	24FEB86	TITLE digital ETHERNET.LOGIC.1.1
DES. ENG. NAME		DATE		
RESP. ENG. NAME		DATE		
WFO. ENG. NAME		DATE		
DOCUMENT NUMBER				
SIZE	B	CODE	CS	NUMBER
				TBD00-0-0
SCALE	NTS	SHEET	1	OF 3

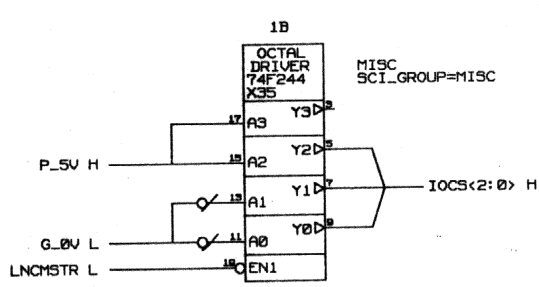
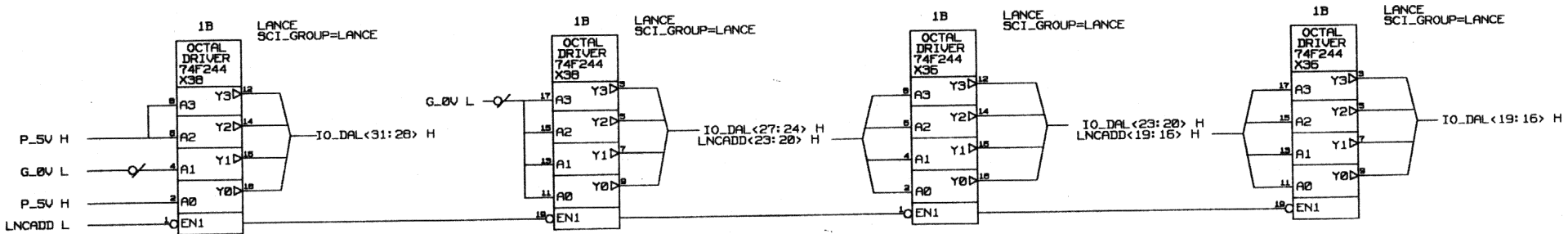
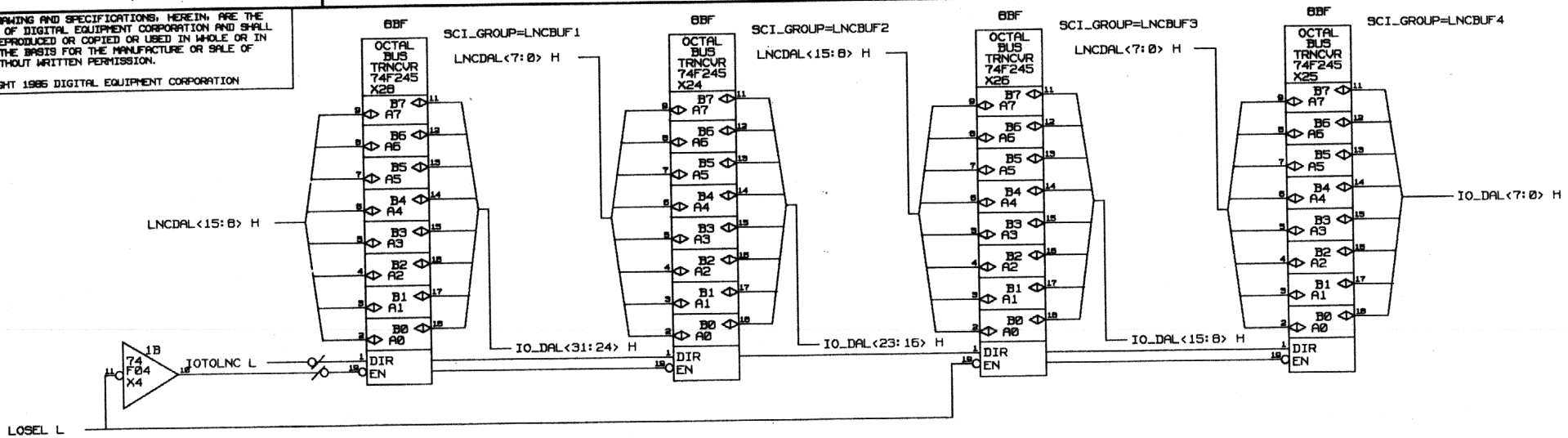
4

3

2

1

THIS DRAWING AND SPECIFICATIONS HEREIN ARE THE PROPERTY OF DIGITAL EQUIPMENT CORPORATION AND SHALL NOT BE REPRODUCED OR COPIED OR USED IN WHOLE OR IN PART AS THE BASIS FOR THE MANUFACTURE OR SALE OF ITEMS WITHOUT WRITTEN PERMISSION.
 COPYRIGHT 1985 DIGITAL EQUIPMENT CORPORATION



IOCS<2:0> DEFAULTED TO INSTRUCTION FETCHES FOR LANCE TO ALLOW CORRECT ERROR HANDLING

DRAWING
 ETHERNET
 ENET
 Wed Jun 18 21:15:29 1986

NEXT HIGHER ASSEMBLY: SERVER_S.LOGIC.1.1
 TOP DOC NO.: SERVER_S.LOGIC.1.1

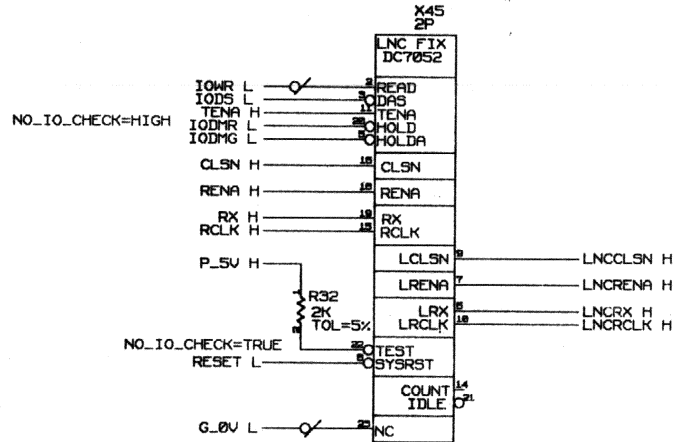
DRG. DAVID L A BRASH	24FEB86	TITLE	digital	
CHK'D. NAME	DATE	ETHERNET.LOGIC.1.2		
DES. ENG. NAME	DATE			
RESP. ENG. NAME	DATE			
PGG. ENL. NAME	DATE			
TOP DOC NO.	SERVER_S.LOGIC.1.1			
DOCUMENT NUMBER		SIZE	CODE	NUMBER
		B	CS	TBD00-0-0
		SCALE	NTS	SHEET 2 of 3

REVISION HISTORY	REV	ECO NUMBER	DATE

THIS DRAWING AND SPECIFICATIONS, HEREIN, ARE THE PROPERTY OF DIGITAL EQUIPMENT CORPORATION AND SHALL NOT BE REPRODUCED OR COPIED OR USED IN WHOLE OR IN PART AS THE BASIS FOR THE MANUFACTURE OR SALE OF ITEMS WITHOUT WRITTEN PERMISSION.

COPYRIGHT 1985 DIGITAL EQUIPMENT CORPORATION

THE DC7052 IS USED TO CORRECT PROBLEMS IN THE AMD LANCE (REV D).



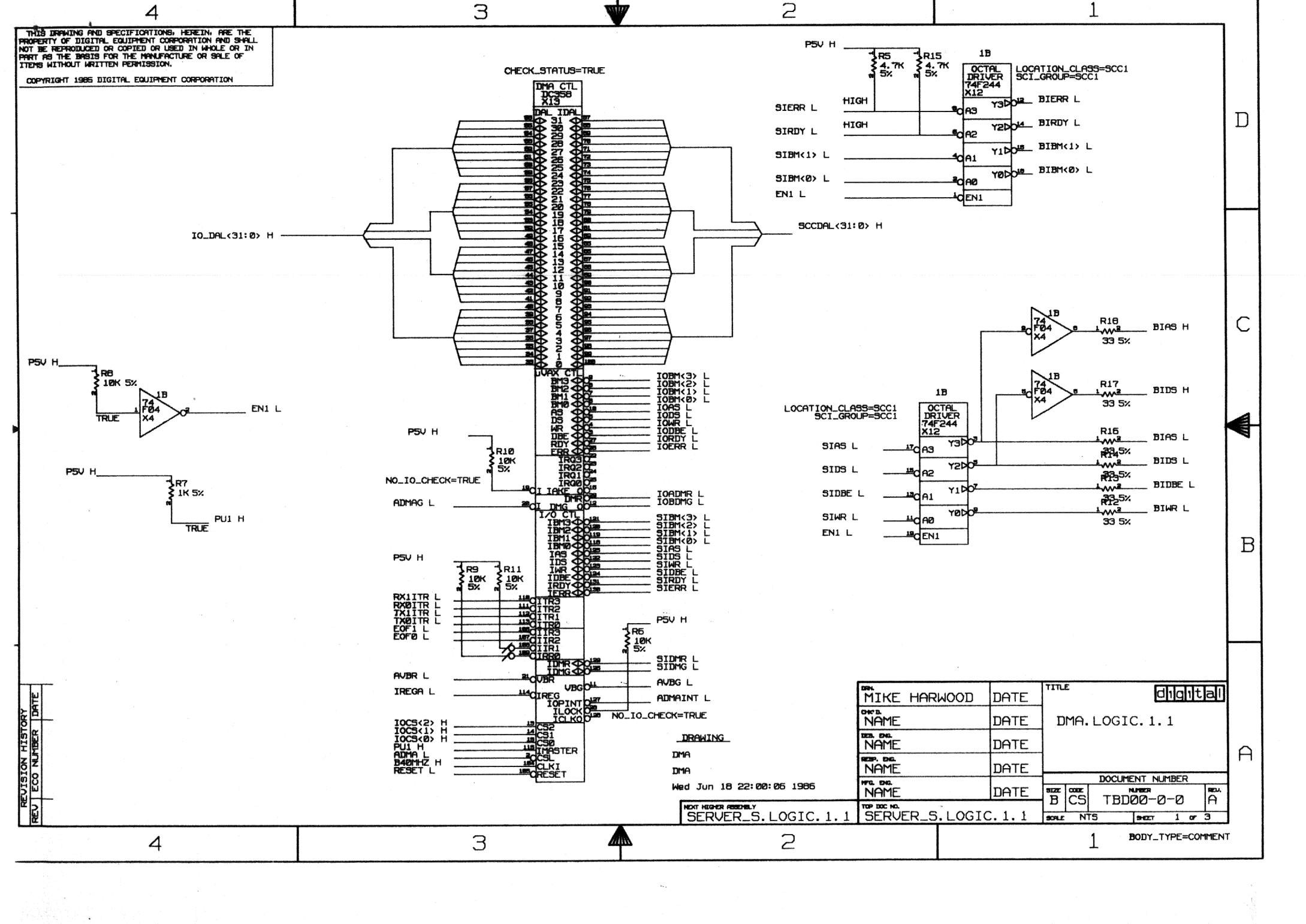
REV	ECO NUMBER	DATE

DRAWING
 ETHERNET
 ENET
 Wed Jun 18 21:18:00 1985

NEXT HIGHER ASSEMBLY
 SERVER_S.LOGIC.1.1

DES. NAME	DAVID L A BRASH	DATE	4APR85	TITLE	ETHERNET.LOGIC.1.3
DES. ENG. NAME		DATE			
RESP. ENG. NAME		DATE		DOCUMENT NUMBER	TBD00-0-0
MFG. ENG. NAME		DATE			
TOP DOC NO.	SERVER_S.LOGIC.1.1	SCALE	NTS	SIZE	B CS
				CODE	
				NUMBER	
				REV.	A
				SHEET	3 of 3

THIS DRAWING AND SPECIFICATIONS, HEREIN, ARE THE PROPERTY OF DIGITAL EQUIPMENT CORPORATION AND SHALL NOT BE REPRODUCED OR COPIED OR USED IN WHOLE OR IN PART AS THE BASIS FOR THE MANUFACTURE OR SALE OF ITEMS WITHOUT WRITTEN PERMISSION.
 COPYRIGHT 1985 DIGITAL EQUIPMENT CORPORATION



REV	ECO NUMBER	DATE

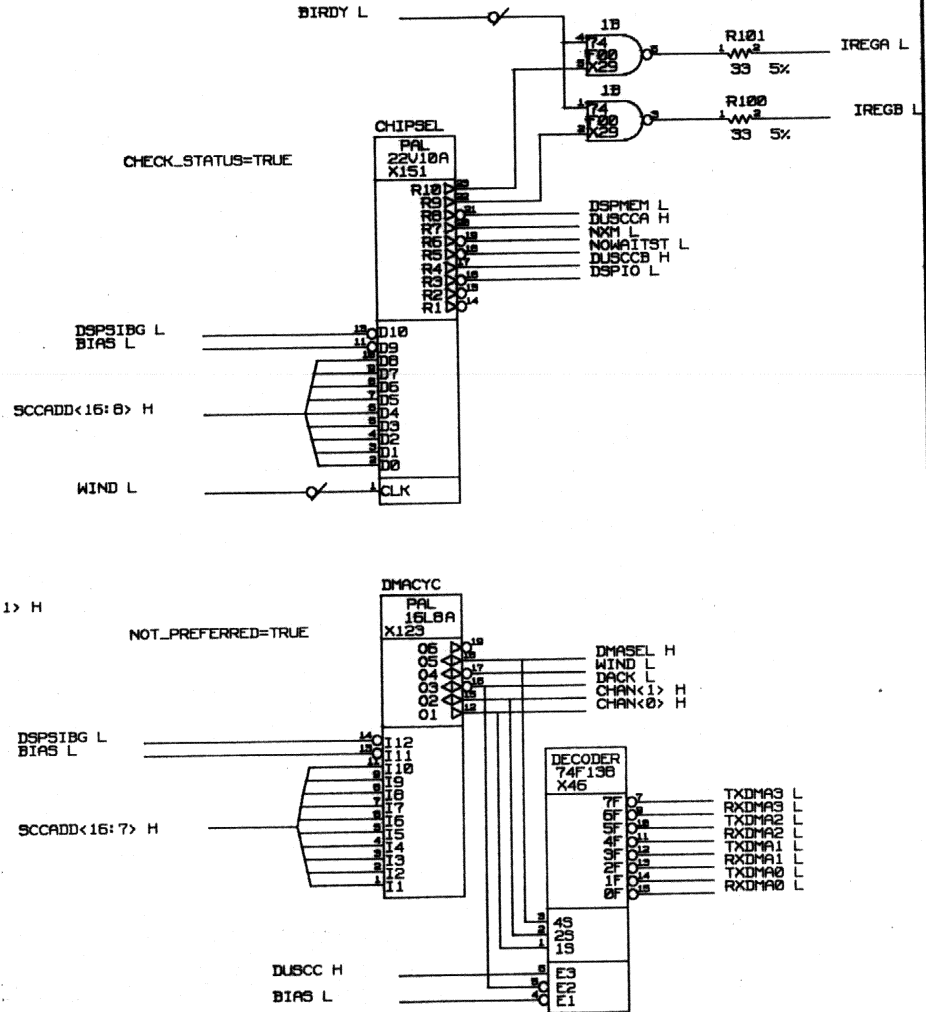
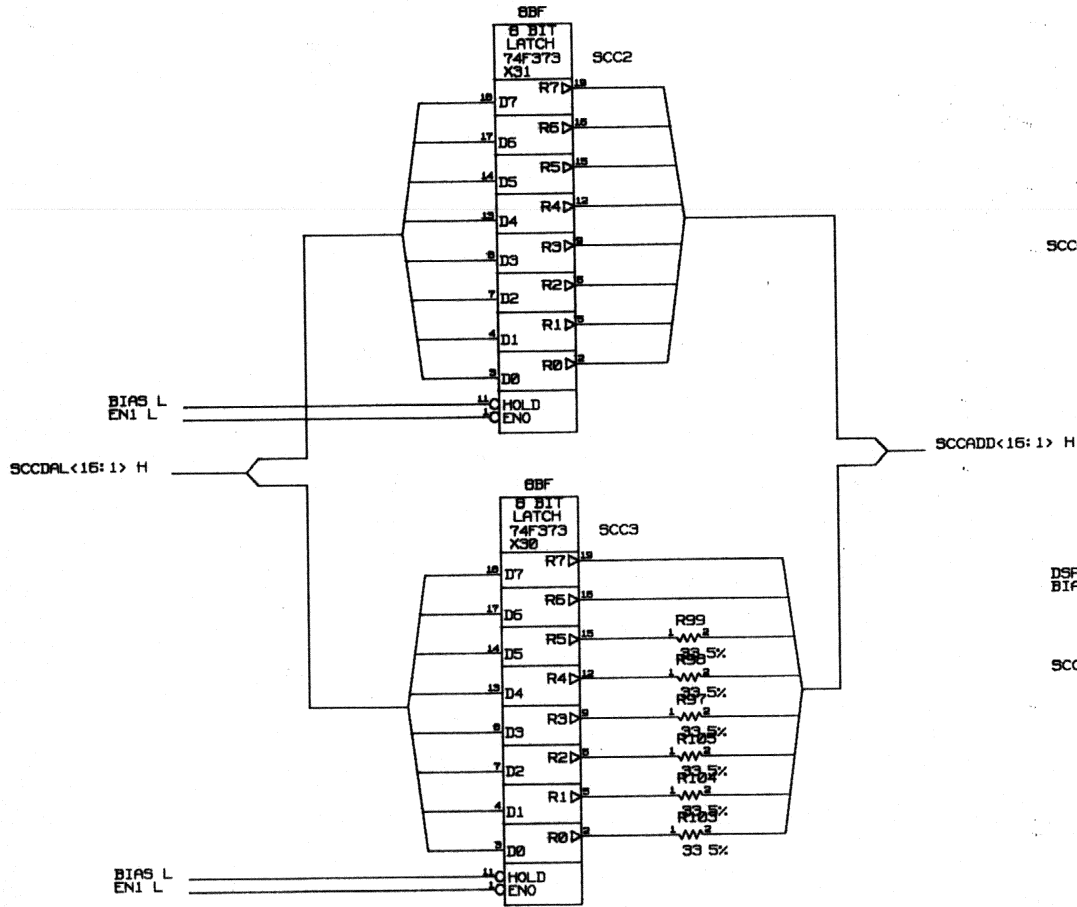
DES.:	MIKE HARWOOD	DATE		TITLE	Digital
CHK'D:	NAME	DATE		DMA.LOGIC.1.1	
DES. ENG.:	NAME	DATE			
RESP. ENG.:	NAME	DATE			
WFL. ENG.:	NAME	DATE			
DOCUMENT NUMBER					
SIZE	CODE	NUMBER	REV.		
B	CS	TBD00-0-0	A		
SCALE		NTS	SHEET		1 of 3

TOP DOC NO. SERVER_S.LOGIC.1.1
 NEXT HIGHER ASSEMBLY SERVER_S.LOGIC.1.1
 BODY_TYPE=COMMENT

DRAWING
 DMA
 DMA
 Wed Jun 18 22:00:06 1985

THIS DRAWING AND SPECIFICATIONS HEREIN ARE THE PROPERTY OF DIGITAL EQUIPMENT CORPORATION AND SHALL NOT BE REPRODUCED OR COPIED OR USED IN WHOLE OR IN PART AS THE BASIS FOR THE MANUFACTURE OR SALE OF ITEMS WITHOUT WRITTEN PERMISSION.

COPYRIGHT 1985 DIGITAL EQUIPMENT CORPORATION



REV	ECO NUMBER	DATE

DRAWING
 DECODE
 DECODE
 Wed Jun 18 21:47:20 1985

NEXT HIGHER ASSEMBLY
 SERVER_S.LOGIC.1.1

DES. NAME	DATE	TITLE
MIKE HARWOOD		DECODE.LOGIC.1.1
DES. ENG. NAME	DATE	DOCUMENT NUMBER
DES. ENG. NAME	DATE	SIZE B CS
		NUMBER TBD00-0-0
DES. ENG. NAME	DATE	REV. A
		SCALE NTS
		SHEET 1 of 3

4

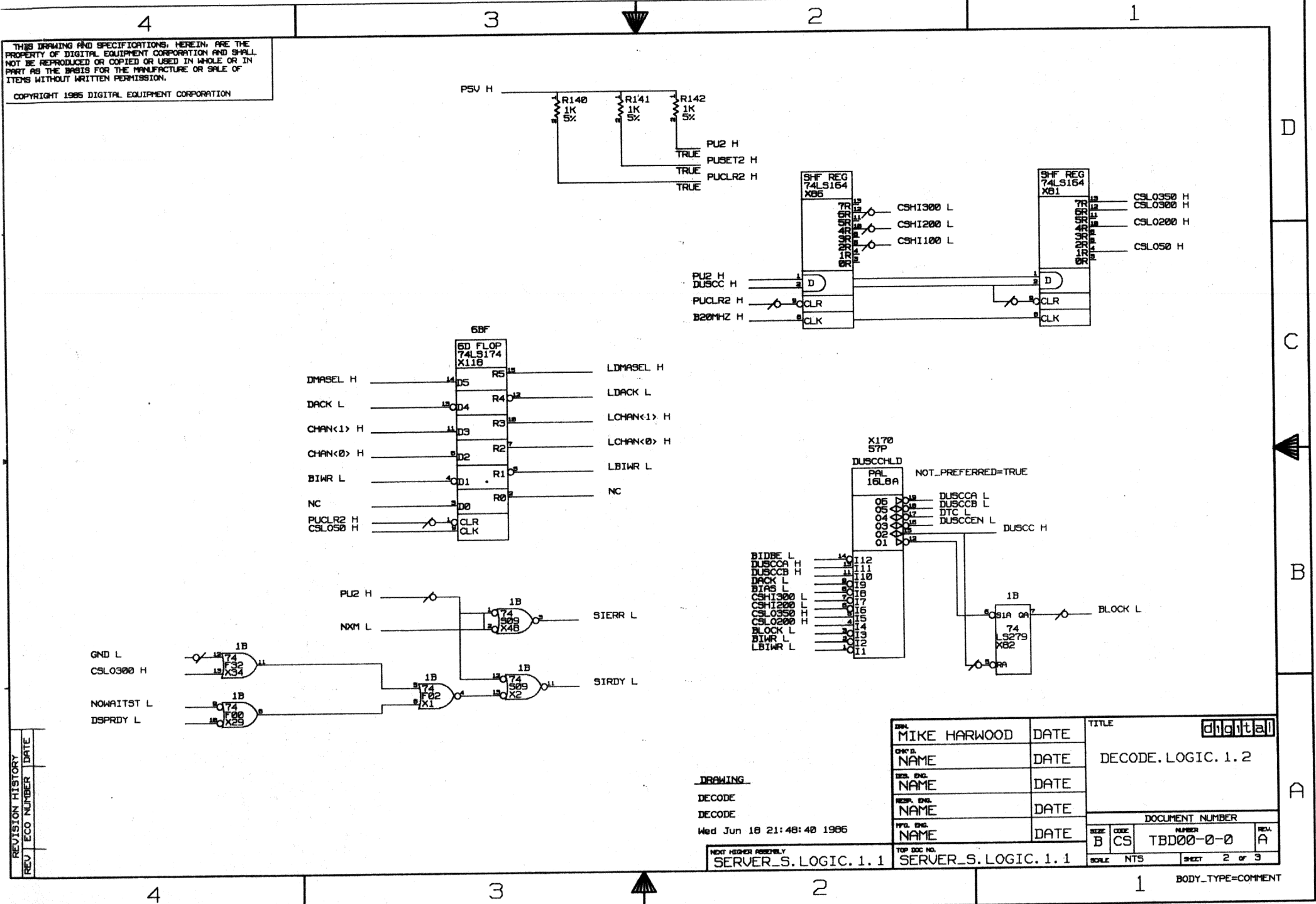
3

2

1

THIS DRAWING AND SPECIFICATIONS, HEREIN, ARE THE PROPERTY OF DIGITAL EQUIPMENT CORPORATION AND SHALL NOT BE REPRODUCED OR COPIED OR USED IN WHOLE OR IN PART AS THE BASIS FOR THE MANUFACTURE OR SALE OF ITEMS WITHOUT WRITTEN PERMISSION.

COPYRIGHT 1985 DIGITAL EQUIPMENT CORPORATION



REV	ECO NUMBER	DATE

DRAWING
 DECODE
 DECODE
 Wed Jun 18 21:48:48 1985

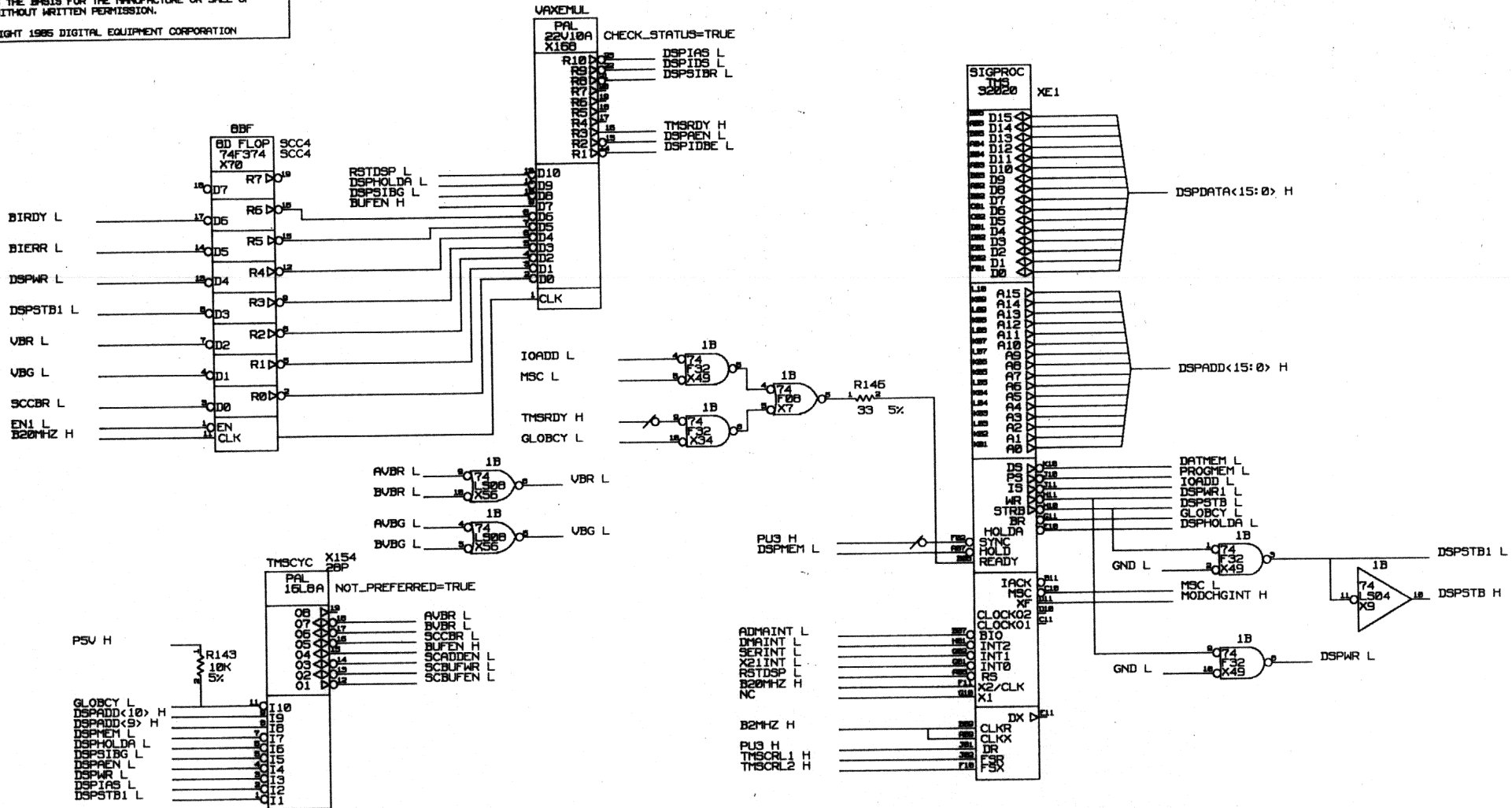
NEXT HIGHER ASSEMBLY SERVER_S.LOGIC.1.1	TOP DOC NO. SERVER_S.LOGIC.1.1	DATE	DATE	DATE	DATE	DATE	DATE	DATE	DATE
--	-----------------------------------	------	------	------	------	------	------	------	------

DESIGNER MIKE HARWOOD	DATE	TITLE digital
CHK'D NAME	DATE	DECODE.LOGIC.1.2
DESIGN NAME	DATE	
RESP. ENG. NAME	DATE	
WFO. ENG. NAME	DATE	
DOCUMENT NUMBER		
SIZE B	CODE CS	RELEASED TBD00-0-0
SCALE NTS	SHEET 2	TOTAL SHEETS 3

BODY_TYPE=COMMENT

THIS DRAWING AND SPECIFICATIONS, HEREIN, ARE THE PROPERTY OF DIGITAL EQUIPMENT CORPORATION AND SHALL NOT BE REPRODUCED OR COPIED OR USED IN WHOLE OR IN PART AS THE BASIS FOR THE MANUFACTURE OR SALE OF ITEMS WITHOUT WRITTEN PERMISSION.

COPYRIGHT 1985 DIGITAL EQUIPMENT CORPORATION



REVISION HISTORY	DATE
REV	ECO NUMBER

DRAWING
 SERIAL_ASSIST
 SERIAL
 Wed Jun 18 21:08:35 1985

NEXT HIGHER ASSEMBLY: SERVER_S.LOGIC.1.1
 TOP DOC NO.: SERVER_S.LOGIC.1.1

DESIGNER: MIKE HARWOOD	DATE	TITLE:
CHK'D: NAME	DATE	SERIAL_ASSIST.LOGIC.1.1
DESIGN: NAME	DATE	
RESP. ENG.: NAME	DATE	
APP. ENG.: NAME	DATE	
DOCUMENT NUMBER		
SIZE: B CS	NUMBER: TBD00-0-0	REV: A
SCALE: NTS	SHEET 1 of 7	

4

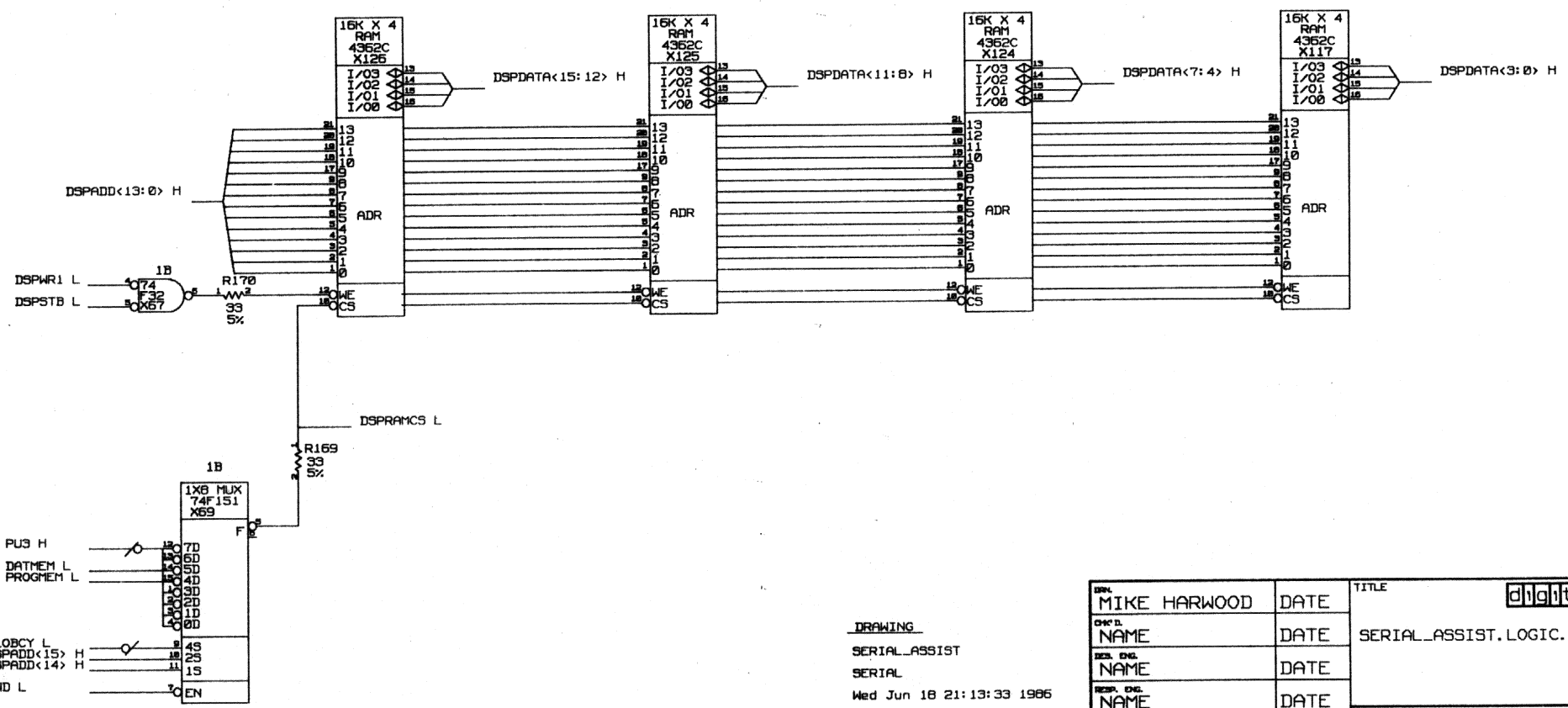
3

2

1

THIS DRAWING AND SPECIFICATIONS, HEREIN, ARE THE PROPERTY OF DIGITAL EQUIPMENT CORPORATION AND SHALL NOT BE REPRODUCED OR COPIED OR USED IN WHOLE OR IN PART AS THE BASIS FOR THE MANUFACTURE OR SALE OF ITEMS WITHOUT WRITTEN PERMISSION.

COPYRIGHT 1985 DIGITAL EQUIPMENT CORPORATION



REV	ECO NUMBER	DATE

DRAWING
 SERIAL_ASSIST
 SERIAL
 Wed Jun 18 21:13:33 1985

DES. NAME	MIKE HARWOOD	DATE		TITLE	digital
CHK'D. NAME		DATE		SERIAL_ASSIST.LOGIC.1.2	
DES. ENG. NAME		DATE			
REP. ENG. NAME		DATE			
APP. ENG. NAME		DATE			
DOCUMENT NUMBER					
SIZE	B	CODE	CS	NUMBER	TBD00-0-0
SCALE	NTS	SHEET	2	OF	?

NEXT HIGHER ASSEMBLY
 SERVER_S.LOGIC.1.1

TOP DOC NO.
 SERVER_S.LOGIC.1.1

BODY_TYPE=COMMENT

4

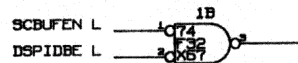
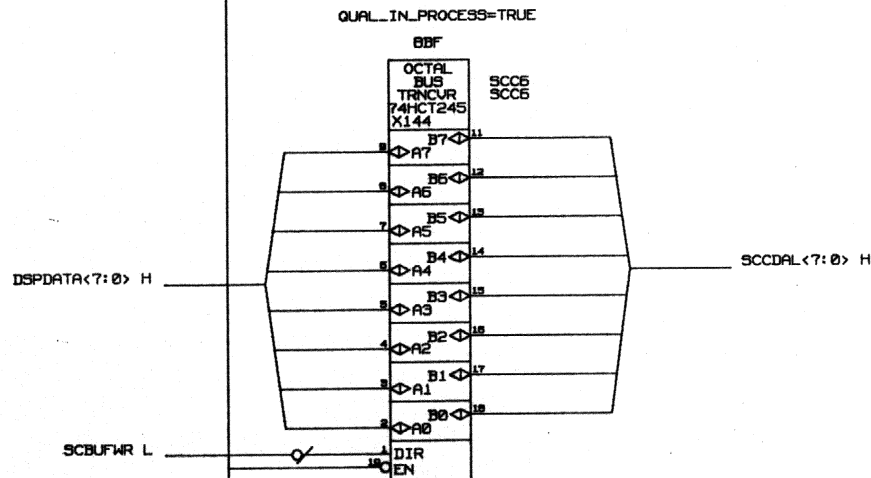
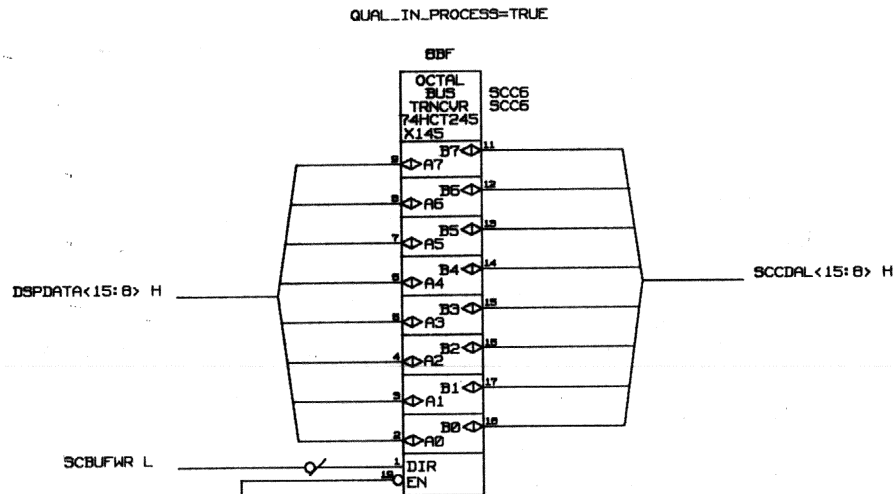
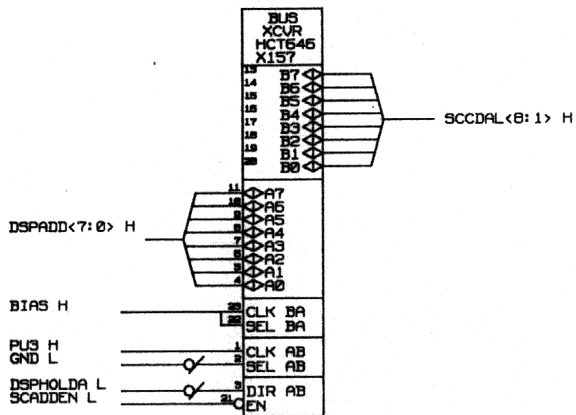
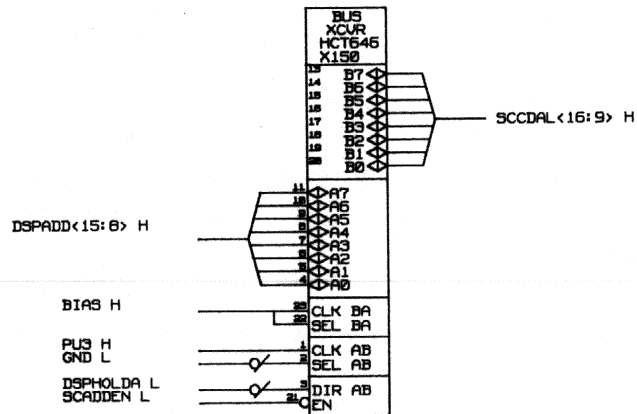
3

2

1

THIS DRAWING AND SPECIFICATIONS, HEREIN, ARE THE PROPERTY OF DIGITAL EQUIPMENT CORPORATION AND SHALL NOT BE REPRODUCED OR COPIED OR USED IN WHOLE OR IN PART AS THE BASIS FOR THE MANUFACTURE OR SALE OF ITEMS WITHOUT WRITTEN PERMISSION.

COPYRIGHT 1985 DIGITAL EQUIPMENT CORPORATION



DRAWING
 SERIAL_ASSIST
 SERIAL
 Wed Jun 18 21:17:24 1985

NEXT HIGHER ASSEMBLY
 SERVER_S.LOGIC.1.1

DES. NAME	MIKE HARWOOD	DATE		TITLE			
CHK'D. NAME		DATE		SERIAL_ASSIST.LOGIC.1.3			
DES. ENG. NAME		DATE					
RESP. ENG. NAME		DATE		DOCUMENT NUMBER			
FIG. ENG. NAME		DATE		SIZE	CODE	NUMBER	REV.
TOP DOC NO.	SERVER_S.LOGIC.1.1			B	CS	TBD00-0-0	A
				SCALE	NTS	SHEET	3 of ?

REVISION HISTORY	REV	ECO NUMBER	DATE

BODY_TYPE=COMMENT

4

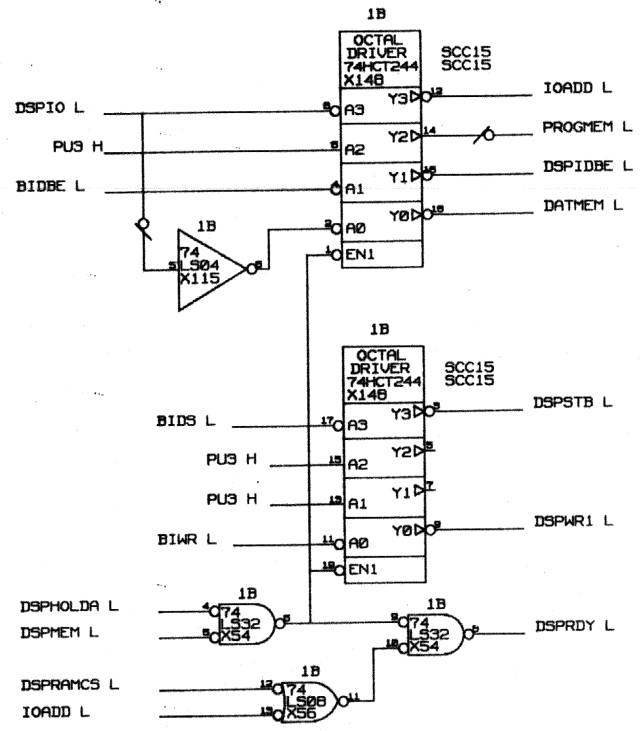
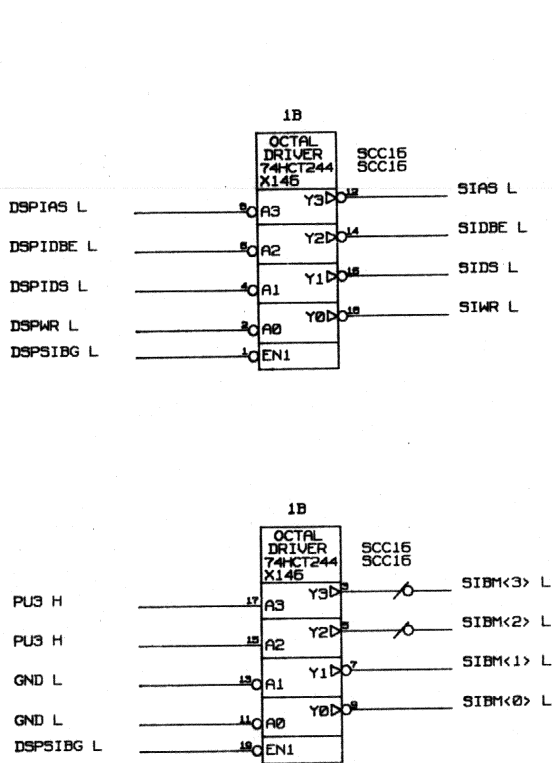
3

2

1

THIS DRAWING AND SPECIFICATIONS, HEREIN, ARE THE PROPERTY OF DIGITAL EQUIPMENT CORPORATION AND SHALL NOT BE REPRODUCED OR COPIED OR USED IN WHOLE OR IN PART AS THE BASIS FOR THE MANUFACTURE OR SALE OF ITEMS WITHOUT WRITTEN PERMISSION.

COPYRIGHT 1985 DIGITAL EQUIPMENT CORPORATION



REVISION HISTORY
REV | ECO NUMBER | DATE

DRAWING
SERIAL_ASSIST
SERIAL
Wed Jun 18 21:22:01 1985

NEXT HIGHER ASSEMBLY
SERVER_S.LOGIC.1.1

DES. NAME	MIKE HARWOOD	DATE		TITLE	digital	
DES. ENG. NAME		DATE		SERIAL_ASSIST.LOGIC.1.6		
DES. ENG. NAME		DATE				
RESP. ENG. NAME		DATE				
WFO. ENG. NAME		DATE				
TOP DOC NO.	SERVER_S.LOGIC.1.1					
SIZE	B	CODE	CS	NUMBER	TBD00-0-0	
SCALE	NTS		SHEET	6 of 7		

4

3

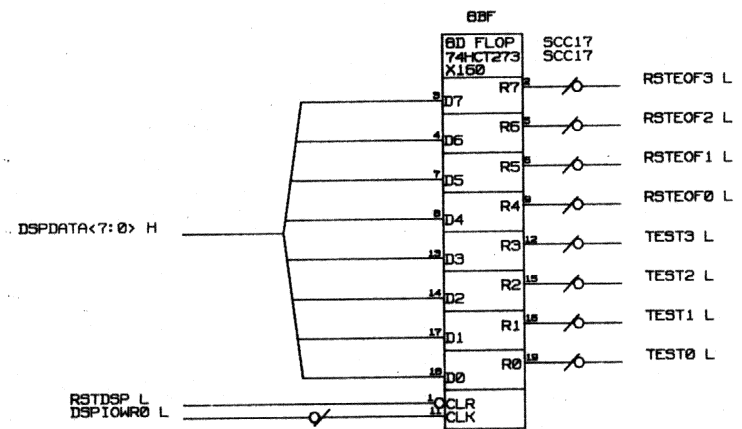
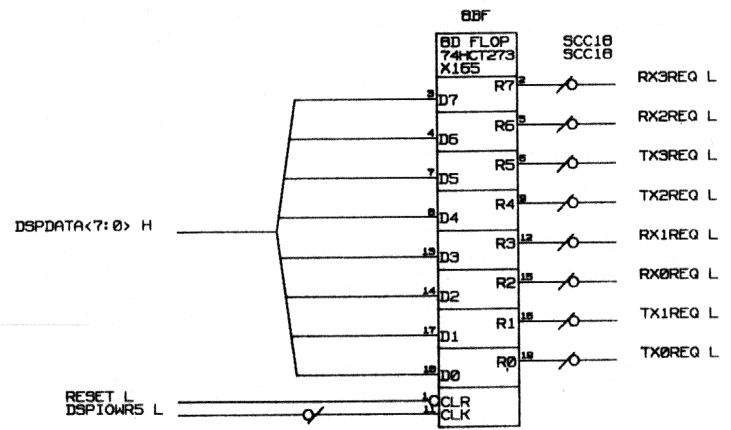
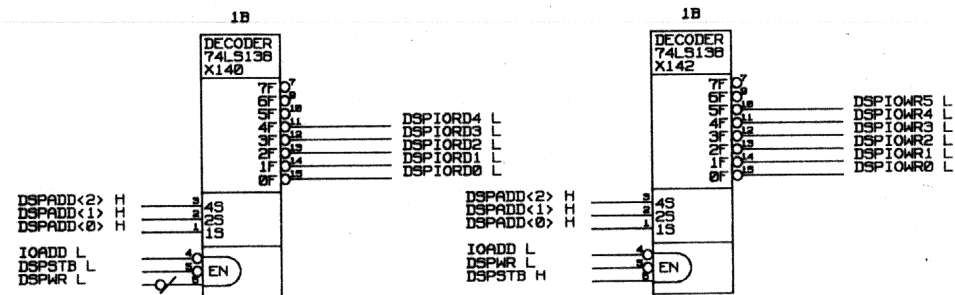
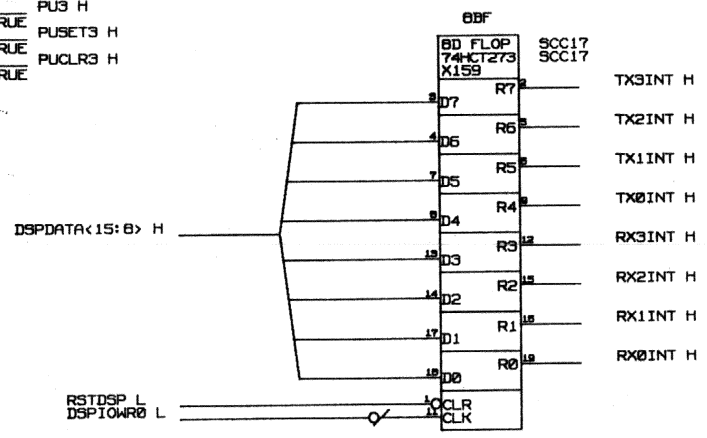
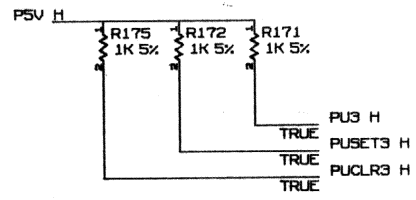
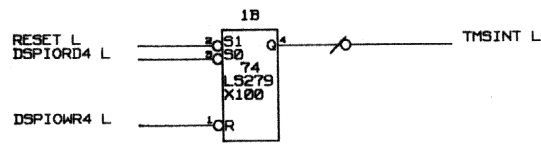
2

1

BODY_TYPE=COMMENT

THIS DRAWING AND SPECIFICATIONS HEREIN ARE THE PROPERTY OF DIGITAL EQUIPMENT CORPORATION AND SHALL NOT BE REPRODUCED OR COPIED OR USED IN WHOLE OR IN PART AS THE BASIS FOR THE MANUFACTURE OR SALE OF ITEMS WITHOUT WRITTEN PERMISSION.

COPYRIGHT 1985 DIGITAL EQUIPMENT CORPORATION



REV	ECO NUMBER	DATE

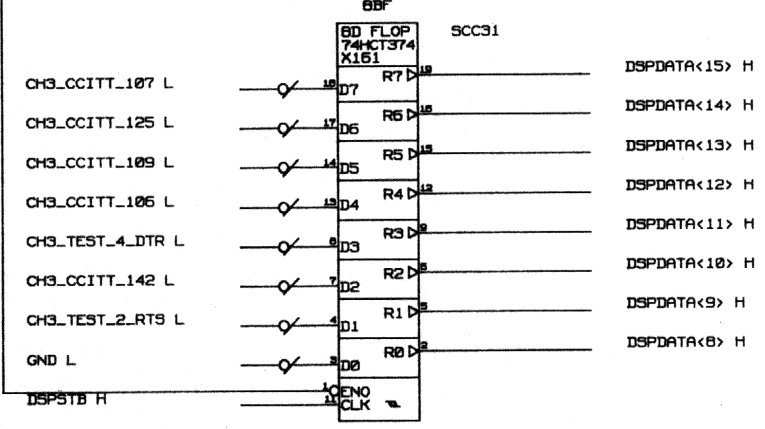
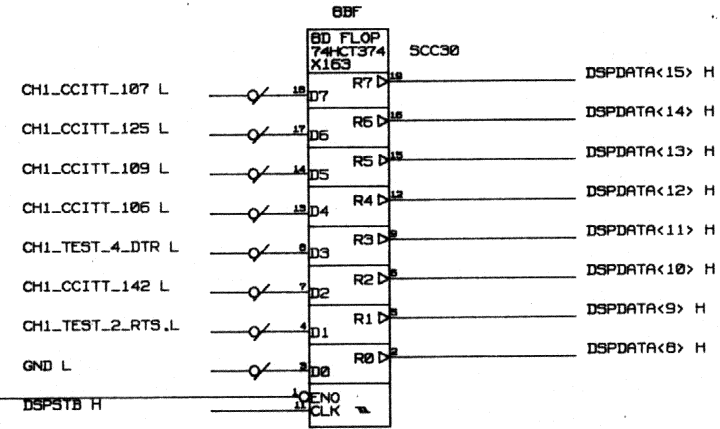
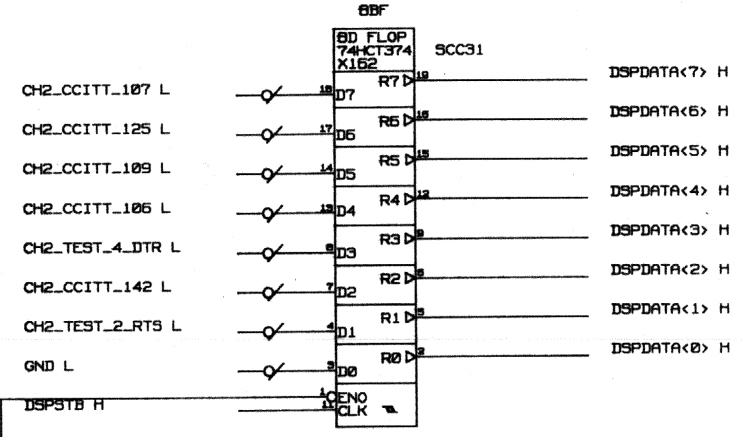
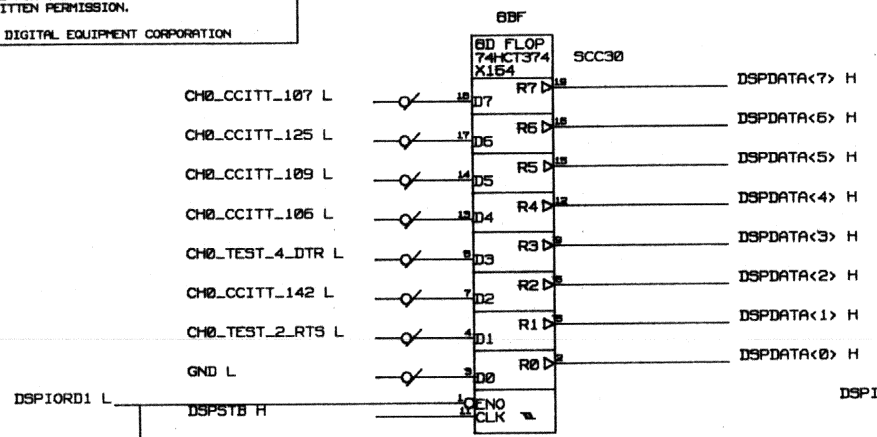
DRAWING
SERIAL_ASSIST
SERIAL
Wed Jun 18 21:24:44 1986

NEXT HIGHER ASSEMBLY
SERVER_S.LOGIC.1.1

DRW. MIKE HARWOOD	DATE	TITLE	digital	
CHK'D.	DATE	SERIAL_ASSIST.LOGIC.1.7		
NAME	DATE			
DES. ENG.	DATE			
NAME	DATE			
RESP. ENG.	DATE			
NAME	DATE			
WTS. ENG.	DATE			
NAME	DATE			
TOP DOC NO. SERVER_S.LOGIC.1.1		DOCUMENT NUMBER		REV. A
SIZE B	CODE CS	NUMBER TBD00-0-0	SHEET 7 OF 7	
SCALE NTS				

THIS DRAWING AND SPECIFICATIONS HEREIN ARE THE PROPERTY OF DIGITAL EQUIPMENT CORPORATION AND SHALL NOT BE REPRODUCED OR COPIED OR USED IN WHOLE OR IN PART AS THE BASIS FOR THE MANUFACTURE OR SALE OF ITEMS WITHOUT WRITTEN PERMISSION.

COPYRIGHT 1986 DIGITAL EQUIPMENT CORPORATION



REV	ECO NUMBER	DATE

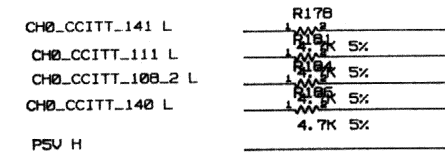
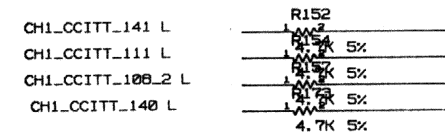
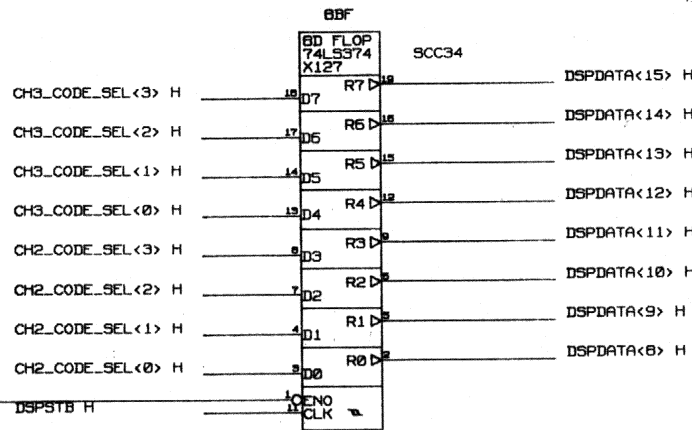
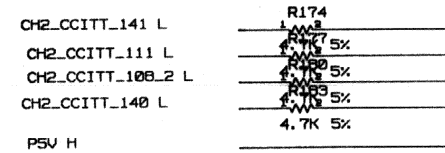
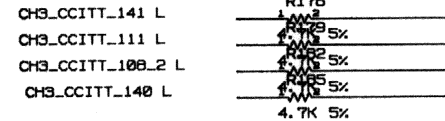
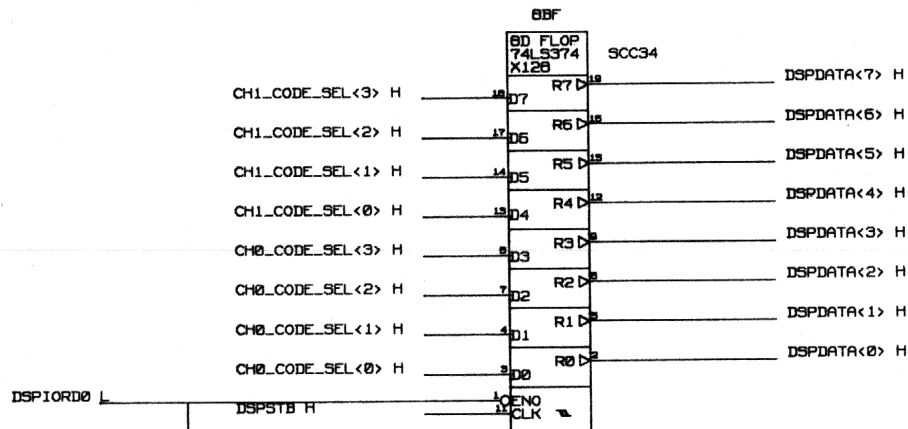
DRAWING
SERIAL_ASSIST
SERIAL
Wed Jun 18 21:26:26 1986

NEXT HIGHER ASSEMBLY
SERVER_S.LOGIC.1.1

DESIGN MIKE HARWOOD	DATE	TITLE Digital
CHK'D NAME	DATE	
DESIGN NAME	DATE	SERIAL_ASSIST.LOGIC.1.B
PREP. ENG. NAME	DATE	DOCUMENT NUMBER
PTG. ENG. NAME	DATE	SIZE B CODE CS NUMBER TB000-0-0 REV. A
TOP DOC NO. SERVER_S.LOGIC.1.1	SCALE NTS	SHEET 8 of 7

THIS DRAWING AND SPECIFICATIONS, HEREIN, ARE THE PROPERTY OF DIGITAL EQUIPMENT CORPORATION AND SHALL NOT BE REPRODUCED OR COPIED OR USED IN WHOLE OR IN PART AS THE BASIS FOR THE MANUFACTURE OR SALE OF ITEMS WITHOUT WRITTEN PERMISSION.

COPYRIGHT 1985 DIGITAL EQUIPMENT CORPORATION



REVISION HISTORY
REV
ECO NUMBER
DATE

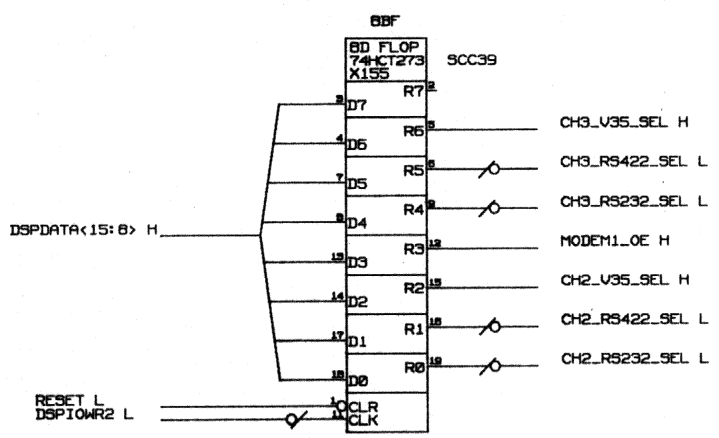
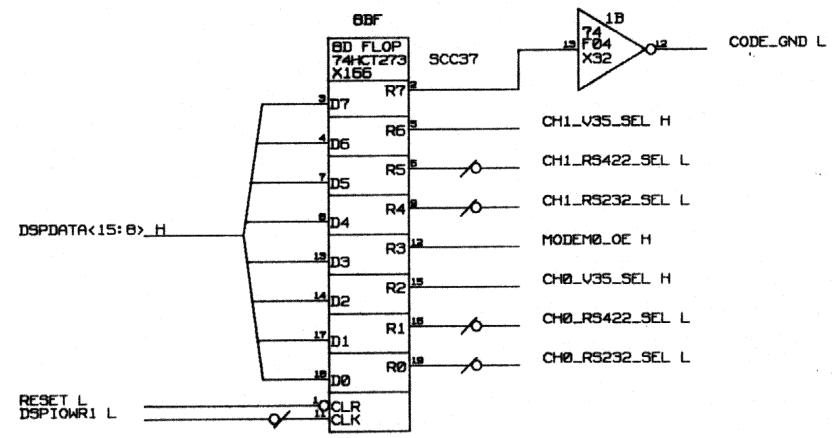
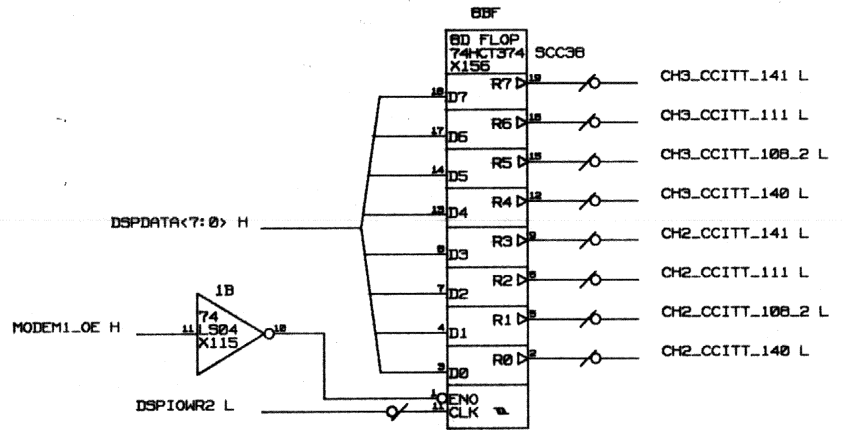
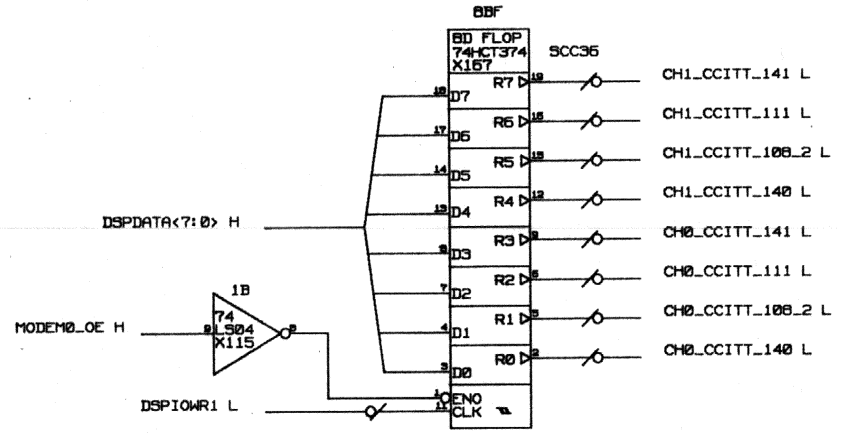
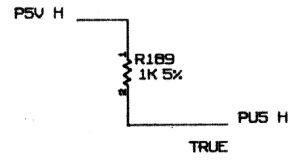
DRAWING
SERIAL_ASSIST
SERIAL
Wed Jun 18 21:29:04 1985

NEXT HIGHER ASSEMBLY
SERVER_S.LOGIC.1.1

DRN MIKE HARWOOD	DATE	TITLE digital SERIAL_ASSIST.LOGIC.1.9
CHK'D NAME	DATE	
DES. ENG. NAME	DATE	
DEP. ENG. NAME	DATE	
WFO. ENG. NAME	DATE	DOCUMENT NUMBER
TOP DOC NO. SERVER_S.LOGIC.1.1	SCALE NTS	REV. A
		NUMBER TBD00-0-0
		SHEET 9 of 7

THIS DRAWING AND SPECIFICATIONS, HEREIN, ARE THE PROPERTY OF DIGITAL EQUIPMENT CORPORATION AND SHALL NOT BE REPRODUCED OR COPIED OR USED IN WHOLE OR IN PART AS THE BASIS FOR THE MANUFACTURE OR SALE OF ITEMS WITHOUT WRITTEN PERMISSION.

COPYRIGHT 1986 DIGITAL EQUIPMENT CORPORATION



REV	ECO NUMBER	DATE

DRAWING
 SERIAL_ASSIST
 SERIAL
 Wed Jun 18 21:57:07 1986

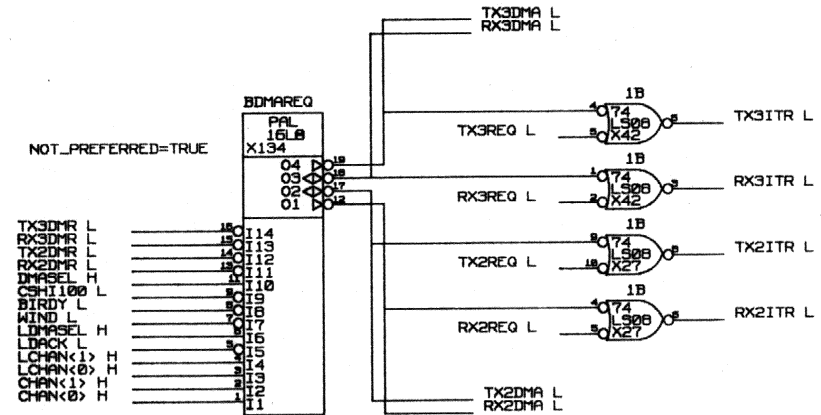
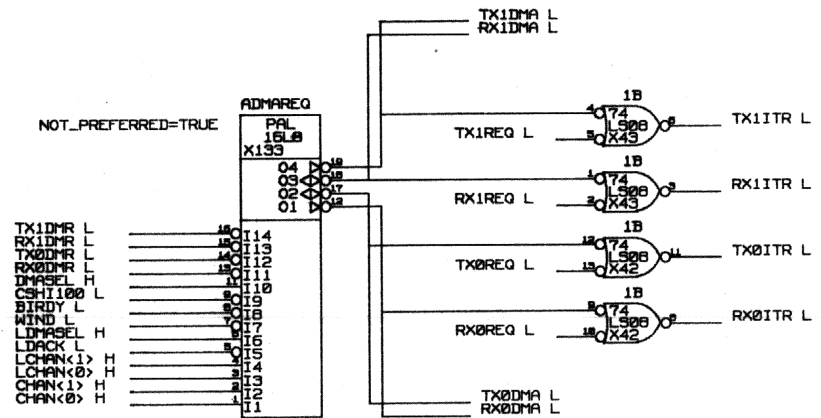
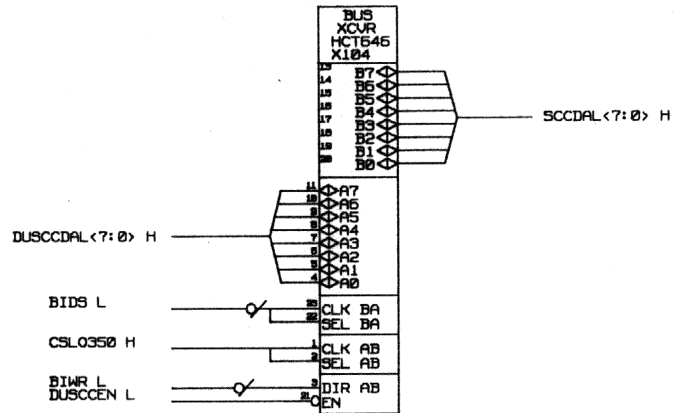
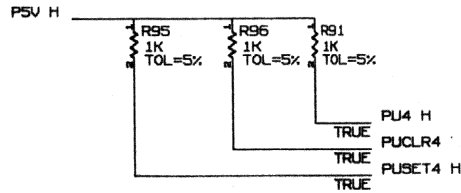
NEXT HIGHER ASSEMBLY
 SERVER_S.LOGIC.1.1

DES. NAME	MIKE HARWOOD	DATE	
CHK'D. NAME		DATE	
DES. ENG. NAME		DATE	
REP. ENG. NAME		DATE	
APP. ENG. NAME		DATE	
TOP DOC NO.	SERVER_S.LOGIC.1.1		

TITLE				digital	
SERIAL_ASSIST.LOGIC.1.10					
DOCUMENT NUMBER					
SIZE	CODE	NUMBER	REV.		
B	CS	TBD00-0-0	A		
SCALE NTS			SHEET 10 of ?		

THIS DRAWING AND SPECIFICATIONS, HEREIN, ARE THE PROPERTY OF DIGITAL EQUIPMENT CORPORATION AND SHALL NOT BE REPRODUCED OR COPIED OR USED IN WHOLE OR IN PART AS THE BASIS FOR THE MANUFACTURE OR SALE OF ITEMS WITHOUT WRITTEN PERMISSION.

COPYRIGHT 1985 DIGITAL EQUIPMENT CORPORATION



REV	ECO NUMBER	DATE

DRAWING
 DUSCC
 DUSCC
 Wed Jun 18 21:50:16 1985

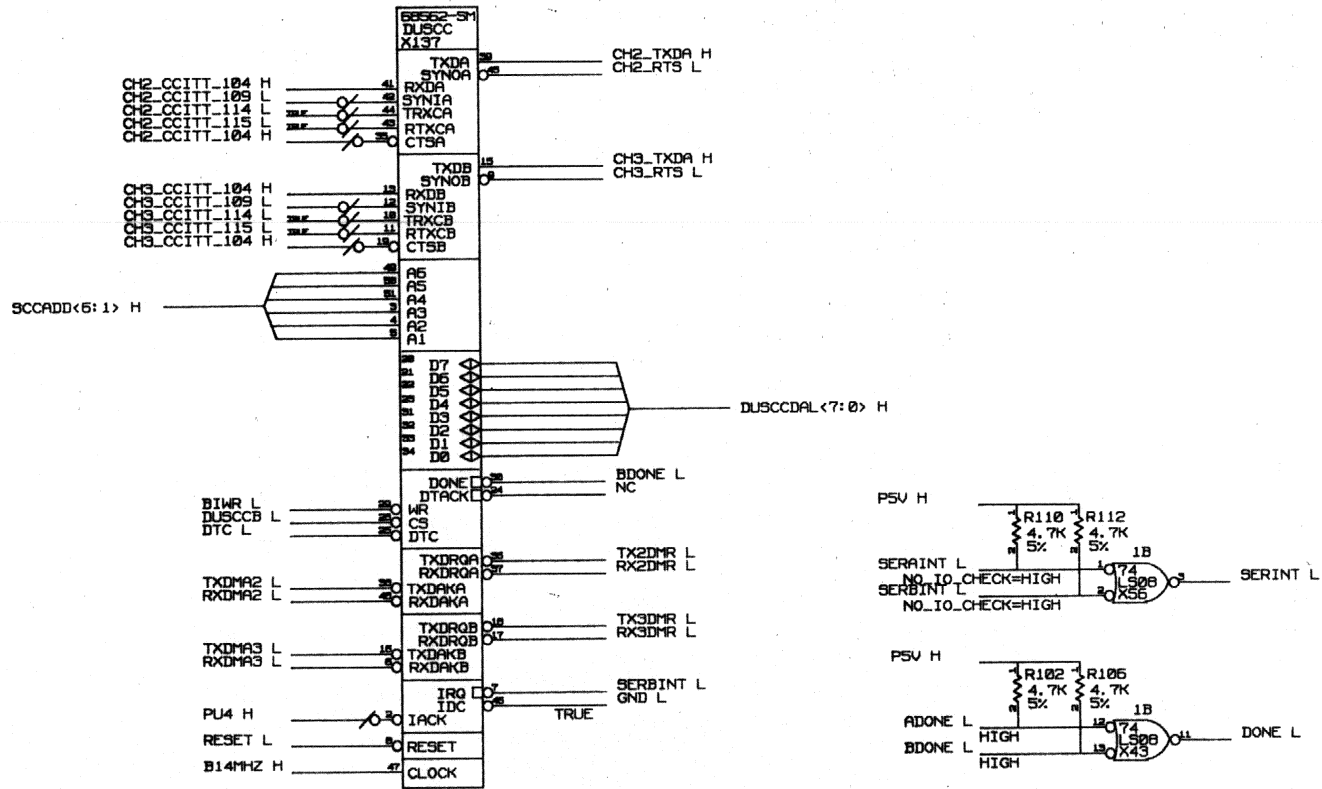
NEXT HIGHER ASSEMBLY
 SERVER_S.LOGIC.1.1
 TOP DOC NO.
 SERVER_S.LOGIC.1.1

DES. MIKE HARWOOD	DATE	TITLE digital
CHK'D. NAME	DATE	DUSCC.LOGIC.1.1
DES. ENG. NAME	DATE	
RESP. ENG. NAME	DATE	
WFO. ENG. NAME	DATE	
TOP DOC NO. SERVER_S.LOGIC.1.1		DOCUMENT NUMBER
		SCALE B CS NUMBER TB000-0-0 REV. A
		SHEET 1 of 7

BODY_TYPE=COMMENT

THIS DRAWING AND SPECIFICATIONS, HEREIN, ARE THE PROPERTY OF DIGITAL EQUIPMENT CORPORATION AND SHALL NOT BE REPRODUCED OR COPIED OR USED IN WHOLE OR IN PART AS THE BASIS FOR THE MANUFACTURE OR SALE OF ITEMS WITHOUT WRITTEN PERMISSION.

COPYRIGHT 1986 DIGITAL EQUIPMENT CORPORATION



REV	ECC NUMBER	DATE

DRAWING
 DUSCC
 DUSCC
 Wed Jun 18 21:52:51 1986

NEXT HIGHER ASSEMBLY
 SERVER_S.LOGIC.1.1

DESIGNER	DATE	TITLE
MIKE HARWOOD		DUSCC.LOGIC.1.3
CHK'D NAME	DATE	
DESIGNER NAME	DATE	
PREP. ENG. NAME	DATE	
FIG. ENG. NAME	DATE	
TOP DOC NO.		
SERVER_S.LOGIC.1.1		
DOCUMENT NUMBER		
SIZE	CODE	NUMBER
B	CS	TBD00-0-0
SCALE		SHEET
NTS		3 of 7

digital

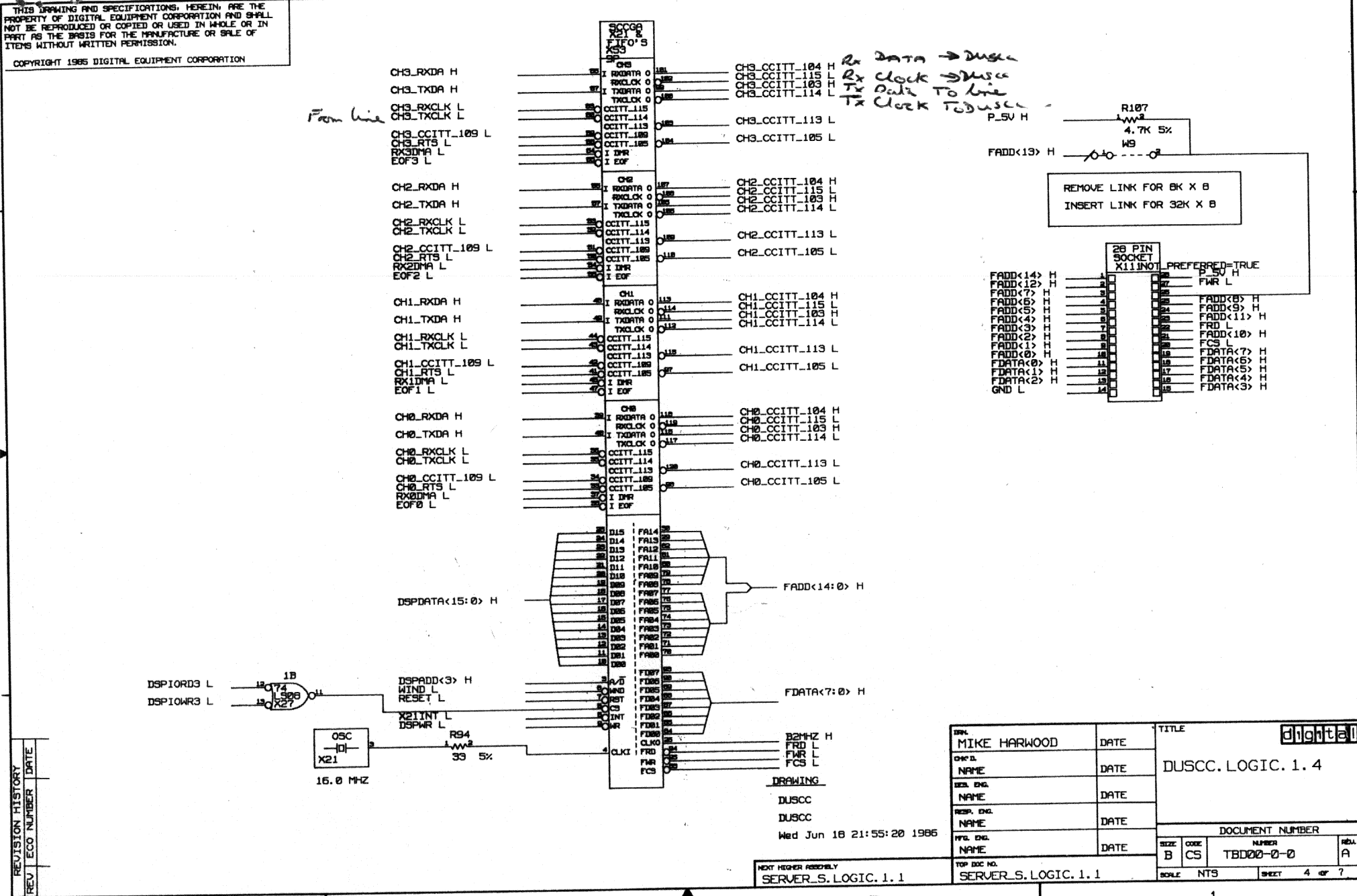
THIS DRAWING AND SPECIFICATIONS HEREIN ARE THE PROPERTY OF DIGITAL EQUIPMENT CORPORATION AND SHALL NOT BE REPRODUCED OR COPIED OR USED IN WHOLE OR IN PART AS THE BASIS FOR THE MANUFACTURE OR SALE OF ITEMS WITHOUT WRITTEN PERMISSION.

COPYRIGHT 1985 DIGITAL EQUIPMENT CORPORATION

From line

*Rx DATA → DUSCC
Rx clock → DUSCC
Tx DATA → DUSCC
Tx clock → DUSCC*

REMOVE LINK FOR BK X B
INSERT LINK FOR 32K X B



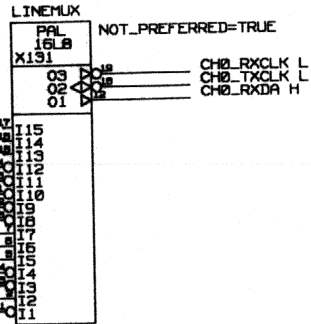
REVISION HISTORY

REV	ECO NUMBER	DATE

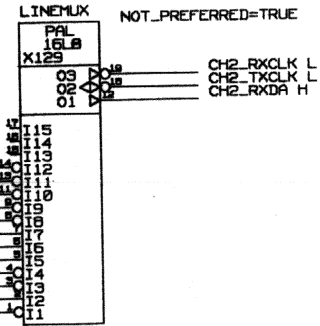
DRW: MIKE HARWOOD	DATE	TITLE	digital	
CHK'D:	DATE	DUSCC.LOGIC.1.4		
NAME	DATE			
DES. ENG. NAME	DATE			
RESP. ENG. NAME	DATE			
WFG. ENG. NAME	DATE			
TOP DOC NO. SERVER_S.LOGIC.1.1	DATE	SIZE B CS	NUMBER T8D00-0-0	RELA A
		SCALE NTS	SHEET 4 OF 7	

THIS DRAWING AND SPECIFICATIONS, HEREIN, ARE THE PROPERTY OF DIGITAL EQUIPMENT CORPORATION AND SHALL NOT BE REPRODUCED OR COPIED OR USED IN WHOLE OR IN PART AS THE BASIS FOR THE MANUFACTURE OR SALE OF ITEMS WITHOUT WRITTEN PERMISSION.

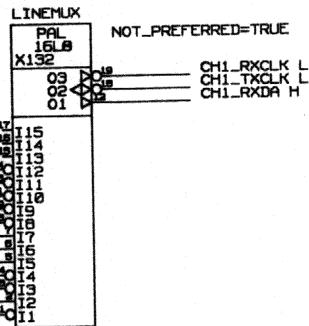
COPYRIGHT 1985 DIGITAL EQUIPMENT CORPORATION



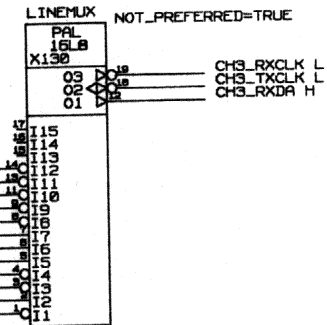
CH0_TEST_3_CLK114 L
CH0_V35_114 L
CH0_ETR_114 L
CH0_V35_115 L
CH0_ETR_115 L
CH0_TEST_1_DATA103 H
CH0_V35_104 H
CH0_ETR_104 H
CH0_RS232_SEL L
CH0_RS422_SEL L
CH0_V35_SEL H
TEST0 L



CH2_TEST_3_CLK114 L
CH2_V35_114 L
CH2_ETR_114 L
CH2_V35_115 L
CH2_ETR_115 L
CH2_TEST_1_DATA103 H
CH2_V35_104 H
CH2_ETR_104 H
CH2_RS232_SEL L
CH2_RS422_SEL L
CH2_V35_SEL H
TEST2 L



CH1_TEST_3_CLK114 L
CH1_V35_114 L
CH1_ETR_114 L
CH1_V35_115 L
CH1_ETR_115 L
CH1_TEST_1_DATA103 H
CH1_V35_104 H
CH1_ETR_104 H
CH1_RS232_SEL L
CH1_RS422_SEL L
CH1_V35_SEL H
TEST1 L



CH3_TEST_3_CLK114 L
CH3_V35_114 L
CH3_ETR_114 L
CH3_V35_115 L
CH3_ETR_115 L
CH3_TEST_1_DATA103 H
CH3_V35_104 H
CH3_ETR_104 H
CH3_RS232_SEL L
CH3_RS422_SEL L
CH3_V35_SEL H
TEST3 L

REV	ECO NUMBER	DATE

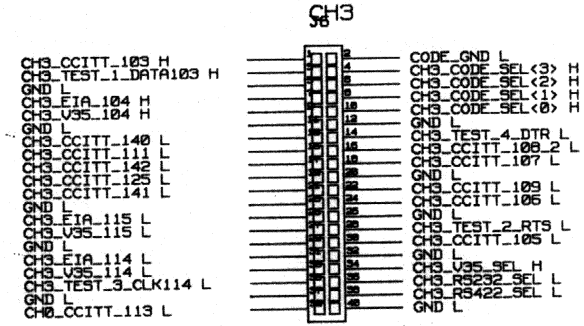
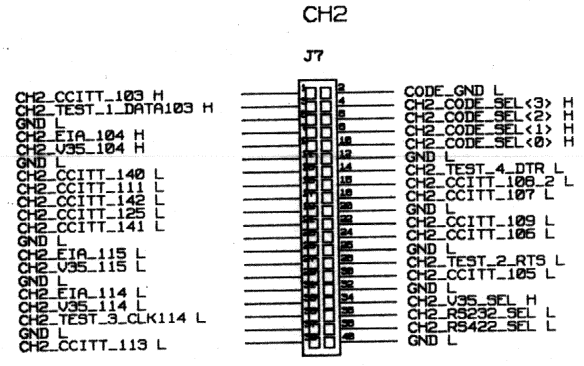
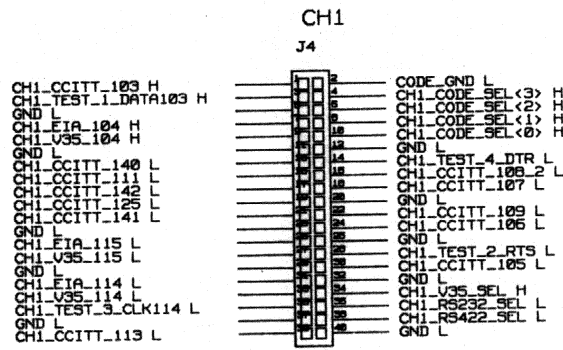
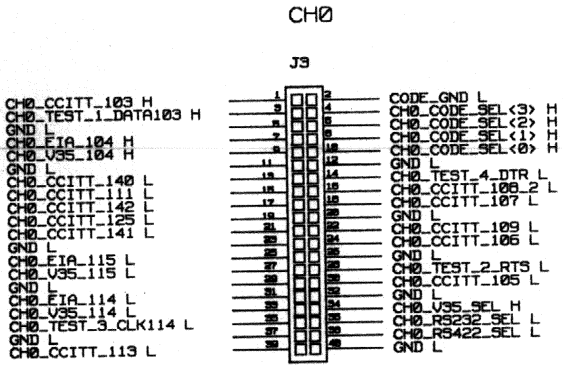
DRAWING
LINE INTERFACE
MODEM
Wed Jun 18 21:31:20 1986

NEXT HIGHER ASSEMBLY
SERVER_S.LOGIC.1.1

DRW. MIKE HARWOOD	DATE	TITLE digital LINE_INTERFACE.LOGIC.1.1
CHK'D. NAME	DATE	
DES. ENG. NAME	DATE	
RESP. ENL. NAME	DATE	
APP. ENG. NAME	DATE	
TOP DOC NO. SERVER_S.LOGIC.1.1		DOCUMENT NUMBER TB000-0-0
SCALE NTS	SHEET 1 of ?	REV. A

THIS DRAWING AND SPECIFICATIONS, HEREIN, ARE THE PROPERTY OF DIGITAL EQUIPMENT CORPORATION AND SHALL NOT BE REPRODUCED OR COPIED OR USED IN WHOLE OR IN PART AS THE BASIS FOR THE MANUFACTURE OR SALE OF ITEMS WITHOUT WRITTEN PERMISSION.

COPYRIGHT 1985 DIGITAL EQUIPMENT CORPORATION



REVISION HISTORY	REV	ECO NUMBER	DATE

DRAWING
 LINE INTERFACE
 MODEM
 Wed Jun 18 21:33:20 1985

NEXT HIGHER ASSEMBLY
 SERVER_S.LOGIC.1.1

DRW.	Tony Holmes	DATE
CHK'D.		DATE
DES. ENG.		DATE
RESP. ENG.		DATE
MFG. ENG.		DATE

TITLE		digital	
LINE_INTERFACE.LOGIC.1.2			
DOCUMENT NUMBER			
SIZE	CODE	NUMBER	REV.
B	CS	TBD00-0-0	A
SCALE		NTS	SHEET 2 of 8

TOP DOC NO.
 SERVER_S.LOGIC.1.1