

# TU78 Subsystem

## Pocket Service Guide

Issued By  
Training Department

FOR REFERENCE ONLY  
NOT MAINTAINED

Prepared by Educational Services  
of  
Digital Equipment Corporation

1st Edition, May 1981  
2nd Edition, March 1984

Copyright © 1981, 1984 by Digital Equipment Corporation

All Rights Reserved

The material in this manual is for informational purposes and is subject to change without notice.

Digital Equipment Corporation assumes no responsibility for any errors that may appear in this manual.

Printed in U.S.A.

#### NOTICE:

This equipment generates, uses, and may emit radio frequency energy. The equipment has been type tested and found to comply with the limits for a Class A computing device pursuant to Subpart J of Part 15 of FCC Rules, which are designed to provide reasonable protection against such radio frequency interference. Operation of this equipment in a residential area may cause interference in which case the user at his own expense may be required to take whatever measures may be required to correct the interference.

The following are trademarks of Digital Equipment Corporation, Maynard, Massachusetts.

DEC	DECNET	IAS
DECUS	DECsystem-10	MASSBUS
DIGITAL	DECSYSTEM-20	PDT
<b>digital</b>	DECwriter	RSTS
PDP	DIBOL	RSX
UNIBUS	EduSystem	VMS
VAX	OMNIBUS	VT
OS/8		

# CONTENTS

## 1 INTRODUCTION

1.1	General . . . . .	1
1.2	Subsystem Overview . . . . .	1
1.3	TM78 Assemblies . . . . .	1
1.4	TU78 Assemblies . . . . .	1
1.5	Operator Controls and Indicators . . . . .	1
1.6	Maintenance Controls and Indicators . . . . .	11
1.6.1	TM78 Controls and Indicators . . . . .	12
1.6.2	TU78 Controls and Indicators . . . . .	12
1.7	Tools . . . . .	12
1.8	Spares Kit Lists . . . . .	16
1.8.1	TM78 Spares Kit . . . . .	16
1.8.2	TU78 Spares Kit . . . . .	17
1.9	Recommended Spares Levels (RSL) . . . . .	18
1.9.1	Additional TM78 RSL Parts . . . . .	18
1.9.2	Additional TU78 RSL Parts . . . . .	18
1.10	Related Documents . . . . .	21
1.11	System Diagnostics . . . . .	23

## 2 TROUBLESHOOTING

2.1	Introduction . . . . .	24
2.2	On-Line Diagnostics . . . . .	24
2.3	In-Line Diagnostics . . . . .	24
2.4	Error Logs . . . . .	24
2.5	Status Indicators for Troubleshooting . . . . .	24
2.6	Error Codes . . . . .	25
2.7	TM78 Maintenance Panel . . . . .	42
2.7.1	Keypad Function Summary . . . . .	42
2.7.2	Errors . . . . .	45
2.7.3	Parameters . . . . .	46
2.7.4	Maintenance Instructions . . . . .	55
2.7.5	Sample Maintenance Routine . . . . .	58
2.8	Test Points . . . . .	58

### 3 CHECKS AND ADJUSTMENTS

3.1	Parts Replacement . . . . .	63
3.2	Quick Reference Adjustment Specification . . . . .	63
3.3	Write Current Adjustments . . . . .	76

### APPENDIX A SUBSYSTEM MASSBUS REGISTERS

### APPENDIX B EXTENDED SENSE BYTES

#### FIGURES

1-1	Dual-Ported TU78 Subsystem . . . . .	2
1-2	TM78 Front View . . . . .	3
1-3	TM78 Module Layout (Back View) Showing Maintenance Indicators . . . . .	4
1-4	TU78 Assemblies (Front View) . . . . .	6
1-5	TU78 Assemblies (Back View) . . . . .	7
1-6	TU78 Card Cage Showing Maintenance Controls and Indicators . . . . .	8
1-7	TU78 Operator Control Panel . . . . .	9
1-8	H7422 Power Supply Showing Maintenance Indicators and Controls . . . . .	13
1-9	Door Safety Interlock Switch . . . . .	14
2-1	TM78 Maintenance Panel . . . . .	43
2-2	Sample Write/Read Routine . . . . .	59
3-1	GCR/PE Preamp 1 PCBA Test Points . . . . .	73
3-2	Interconnect F1 PCBA . . . . .	74
3-3	Vacuum Valve and Pressure Valve . . . . .	75
3-4	Write Head Current Waveform . . . . .	78
A-1	RH20 and RH780 Addresses . . . . .	80
A-2	Control and Status Register . . . . .	81
A-3	Data Transfer Interrupt Register . . . . .	83
A-4	Tape Control Register . . . . .	84
A-5	Drive Type Register . . . . .	85
A-6	Tape Unit Status Register . . . . .	86
A-7	Motion Interrupt Code Register . . . . .	87
A-8	Motion Command Register . . . . .	88
A-9	Hardware Control Register . . . . .	91
A-10	Configuration/Status Register . . . . .	92
A-11	Control Register . . . . .	93
A-12	Status Register . . . . .	94
A-13	Virtual Address Register . . . . .	95
A-14	Byte Counter Register . . . . .	95
A-15	Diagnostic Register . . . . .	96
A-16	Map Register . . . . .	97

B-1	Read Path Status Byte . . . . .	98
B-2	Read Microcontroller Command Byte . .	100
B-3	Parity Read Channel Status Byte . . . .	101
B-4	ECC Status Byte . . . . .	102
B-5	Channel (N) Track in Error Byte . . . . .	103
B-6	TU Port Status Byte . . . . .	104
B-7	CAS Port (N) Status Byte . . . . .	105
B-8	MASSBUS C Bus Status Byte . . . . .	105
B-9	MASSBUS D Bus Status Byte . . . . .	106
B-10	Write Microcontroller Error Byte . . . . .	106
B-11	Interrupt Status Byte . . . . .	107
B-12	TU78 Status Byte . . . . .	107
B-13	MIA Status A Byte . . . . .	109
B-14	MIA Status B Byte . . . . .	109
B-15	MIA TU Diagnostics Byte . . . . .	110
B-16	Retry Control Byte . . . . .	110
B-17	TU Software Status . . . . .	111
B-18	Transfer Control Byte . . . . .	111
	TU78 Subsystem Detailed	
	Block Diagram . . . . .	112
	Write Path Troubleshooting Diagram . .	113
	Read Path Troubleshooting Diagram . .	113

## TABLES

1-1	TU78 Controls . . . . .	10
1-2	TU78 Indicators . . . . .	11
1-3	TU78 Maintenance Controls . . . . .	16
2-1	TM78/TU78 Diagnostics . . . . .	25
2-2	In-Line Self-Test Microdiagnostics . . . .	26
2-3	Troubleshooting Indicator Functions . .	27
2-4	Interrupt Code to Failure Code . . . . .	29
2-5	Keypad Error/Status Codes . . . . .	45
2-6	Parameter Items . . . . .	46
2-7	Maintenance Instruction Codes . . . . .	55
3-1	Checks/Adjustments When Replacing Parts . . . . .	63
3-2	Adjustment Specifications . . . . .	66
3-3	Vacuum and Pressure Valve Components . . . . .	78
A-1	Data Transfer Function Codes . . . . .	82
A-2	Nondata Transfer Function Codes . . . .	89
B-1	Read Microcontroller Status Codes . . .	99
B-2	Read Microcontroller Command Codes . . . . .	101



# **1 INTRODUCTION**

## **1.1 GENERAL**

This document is designed for use by a person trained to service a TU78 subsystem. A TU78 subsystem is made up of a MASSBUS controller (RHXX), a TM78 formatter, and a TU78 tape transport. Procedures are short, and support a maintenance philosophy of module replacement.

This chapter presents an overview of the formatter and transport for quick review. Chapter 2 is troubleshooting information. Use of error logs, diagnostics, and maintenance panel features allow rapid location of malfunctions. Chapter 3 lists all adjustments in quick reference format.

Programming information is not provided but register summaries for each hardware family type are found in Appendix A. Appendix B lists the extended sense registers available in the diagnostic and error log printouts.

## **1.2 SUBSYSTEM OVERVIEW**

The TU78 subsystem is shown in Figure 1-1. The example shown is a dual-ported TM78 formatter, controlling four TU78 transports. A detailed block diagram of the subsystem may be found on the foldout at the end of this book.

## **1.3 TM78 ASSEMBLIES**

Major TM78 assemblies are shown in Figures 1-2 and 1-3.

## **1.4 TU78 ASSEMBLIES**

Major TU78 assemblies are shown in Figures 1-4, 1-5, and 1-6.

## **1.5 OPERATOR CONTROLS AND INDICATORS**

All operator controls and indicators are on the TU78 control panel. Figure 1-7 shows the panel, Table 1-1 lists the controls and their functions, and Table 1-2 lists the indicators and their functions.

## 2 INTRODUCTION

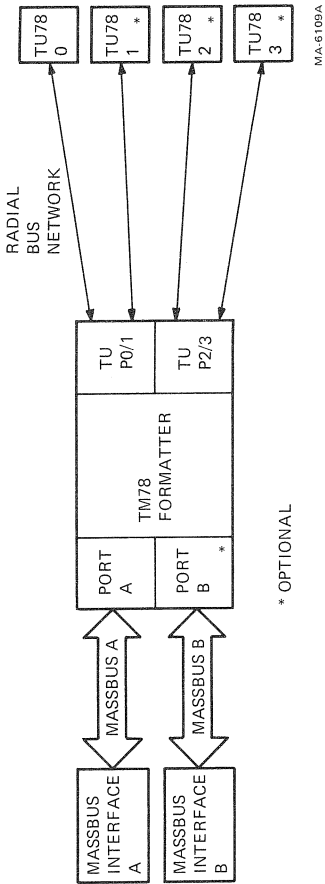
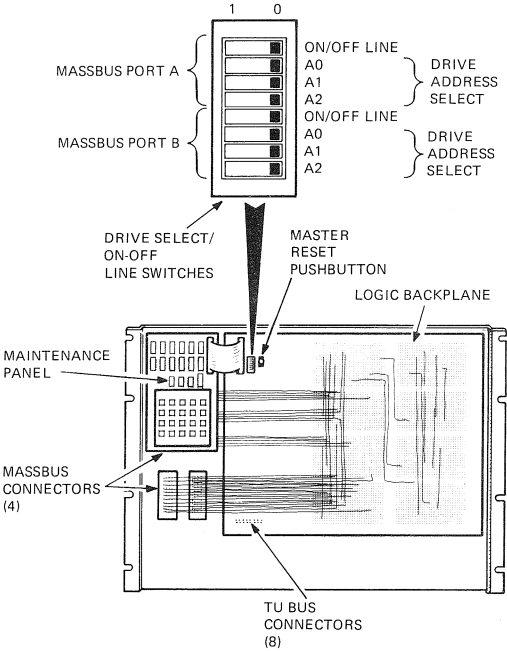


Figure 1-1 Dual-Ported TU78 Subsystem

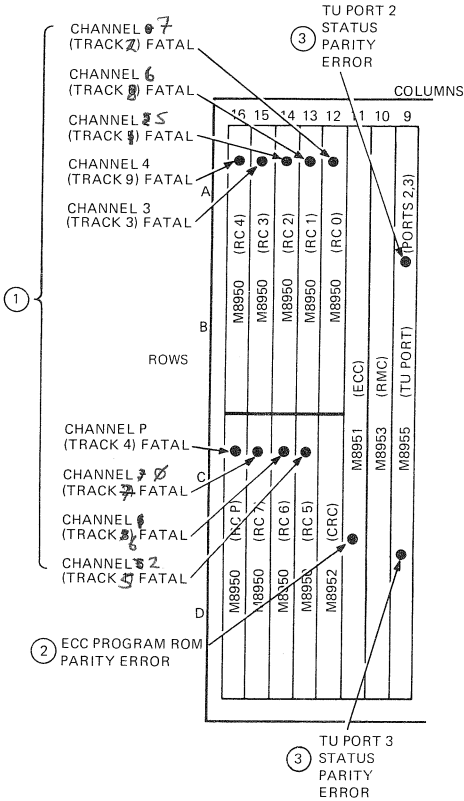




MA-7554A

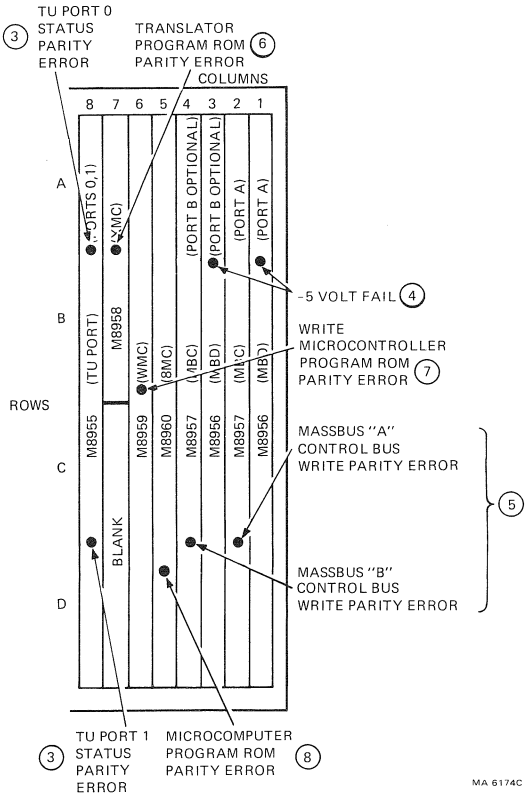
Figure 1-2 TM78 Front View

# 4 INTRODUCTION



MA 6174B

Figure 1-3 TM78 Module Layout (Back View) Showing Maintenance Indicators (Sheet 1 of 2)



MA 6174C

Figure 1-3 TM78 Module Layout (Back View) Showing Maintenance Indicators (Sheet 2 of 2)

## 6 INTRODUCTION

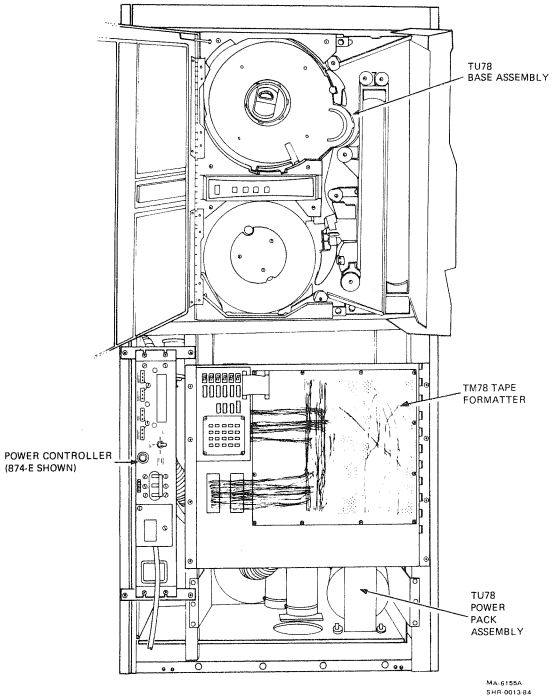
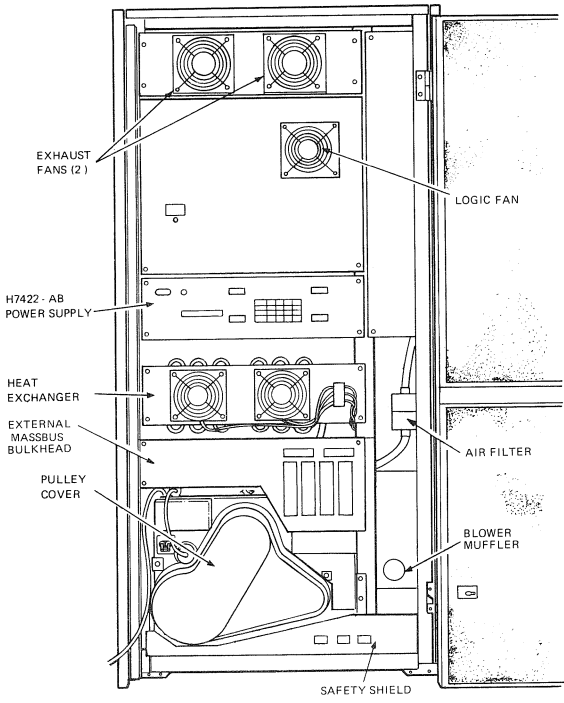


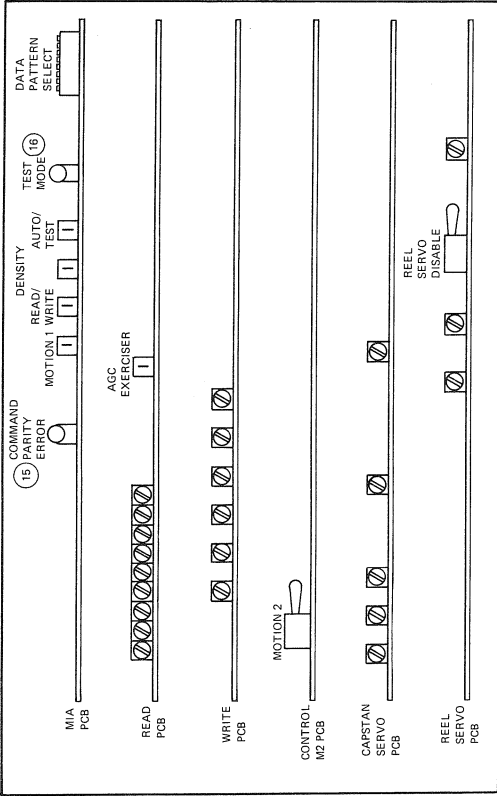
Figure 1-4 TU78 Assemblies (Front View)



b. REAR VIEW

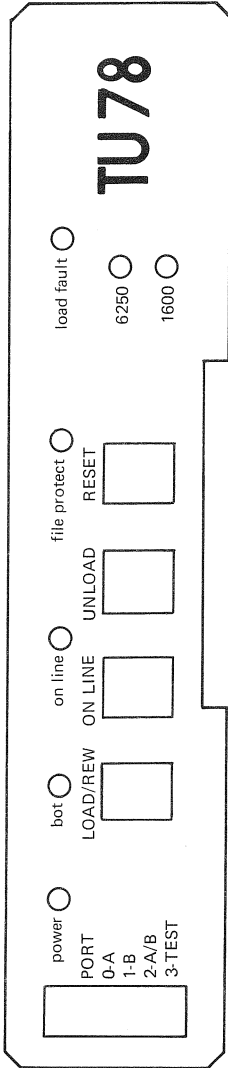
MA-7013  
SHR-0114-84

Figure 1-5 TU78 Assemblies (Back View)



MA-7069

Figure 1-6 TU78 Card Cage Showing Maintenance Controls and Indicators



MA-2662A

Figure 1-7 TU78 Operator Control Panel

## 10 INTRODUCTION

**Table 1-1 TU78 Controls**

<b>Control</b>	<b>Function</b>
Port Select Switch	It selects the MASSBUS I/O port(s) allowed to send commands to this tape transport.
	<b>Switch Position    Function</b>
	0            Transport connected to MASSBUS port A
	1            Transport connected to MASSBUS port B
	2            Transport connected to both MASSBUS ports A and B
	3            Transport disconnected from both MASSBUS ports and placed in maintenance mode (available to TM78 formatter maintenance panel)
LOAD/ REW	It starts one of three sequences <ol style="list-style-type: none"><li>1. With no tape in path, it initiates a load sequence.</li><li>2. With tape in path but not tensioned, it starts a midreel load sequence. In a midreel load sequence the tape loads and runs in reverse direction to BOT.</li><li>3. With tape in path and tensioned, and the transport off-line, the tape rewinds to BOT. If the tape is at BOT or if the transport is on-line, no action occurs.</li></ol>
ON LINE	It switches the transport off-line or on-line.
UNLOAD	If the TU78 is off-line, it causes the tape to rewind and unload. If the tape is at BOT, it unloads. If the TU78 is on-line, button has no effect.
RESET	Terminates all functions and clears a load fault.



**Table 1-2 TU78 Indicators**

<b>Indicator</b>	<b>Meaning</b>
Power	DC and secondary ac power are present.
BOT	Tape is at BOT.
On Line	TU78 is on-line. The transport returns to the off-line mode if any of the following occur. <ol style="list-style-type: none"> <li>1. ON LINE button is pressed.</li> <li>2. External rewind unload command is received.</li> <li>3. Vacuum column interlock is broken.</li> <li>4. AC power is lost.</li> <li>5. RESET button is pressed.</li> <li>6. Front door opens.</li> </ol>
File Protect	Tape reel without a write enable ring has been loaded on the transport.
Load Fault	Load fault has occurred. <ol style="list-style-type: none"> <li>1. Autoload sequence has failed to load a tape from a 267 mm (10.5 in) reel after two tries.</li> <li>2. Load sequence has failed to load tape from a 216 mm or 178 mm (8.5 in or 7 in) reels.</li> </ol>
1600	Tape transport is set to read or write at 1600 bits/in (PE mode).
6250	Tape transport is set to read or write at 6250 bits/in (GCR mode).

## 1.6 MAINTENANCE CONTROLS AND INDICATORS

Maintenance controls and indicators may be found on the TM78 logic gate (front and back), the TM78 power supply (H7422), the TU78 logic cage, and the front of the TU78 base assembly.

## 12 INTRODUCTION

### 1.6.1 TM78 Controls and Indicators

Figure 1-2 shows the front of the TM78 logic gate and details the maintenance controls. The maintenance panel is described in Chapter 2. To the right of the maintenance panel is a DIP switch matrix. The DIP switches select the MASSBUS drive address for both ports and sets either or both ports on or off-line. A dual port TM78 is considered off-line for maintenance purposes only when both ports are placed off-line.

Figure 1-3 shows the back of the logic gate and details some of the maintenance indicators that may be used for troubleshooting. Table 2-3 lists the indicators and describes their functions.

Figure 1-8 shows the front of the H7422 power supply and details the maintenance indicators and adjustments.

### 1.6.2 TU78 Controls and Indicators

Figure 1-9 shows a detail of the base assembly and points out the door safety interlock switch. This switch must be defeated to perform certain maintenance adjustments. To defeat the switch pull its actuator arm down and out with a spring hook.

The rest of the TU78 maintenance controls and indicators are on PCBAs in the card cage assembly (Figure 1-6). Table 1-3 lists the TU78 maintenance controls and Table 2-3 lists the indicators.

## 1.7 TOOLS

In addition to the standard DIGITAL tool kit, the following tools are needed to service the TM78/TU78.

Description	DEC Part Number	Included in Spares Kit
Dual trace oscilloscope with two X10/X1 probes	—	No
Digital voltmeter	—	No
Two multilayer dual-height module extenders	W900	No
Reel motor centering tool	29-23206	Yes

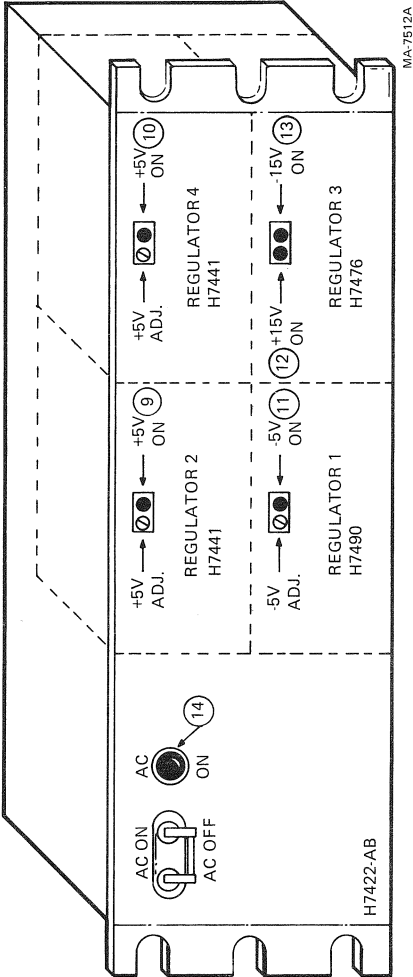


Figure 1-8 H7422 Power Supply Showing Maintenance Indicators and Controls

## 14 INTRODUCTION

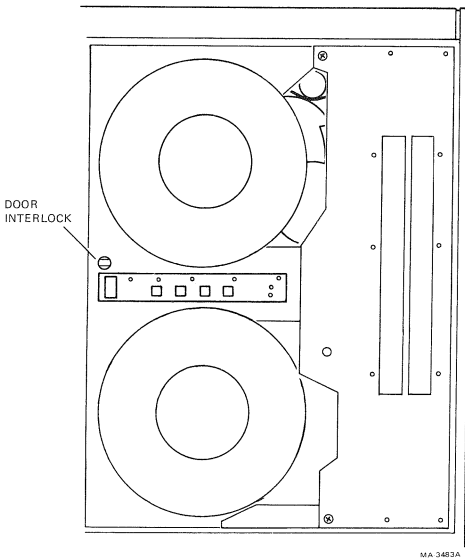


Figure 1-9 Door Safety Interlock Switch

Description	DEC Part Number	Included in Spares Kit
Reel flange locating bar	29-23207	Yes
PCBA extender	29-23218	Yes
Lower restraint tube fitting	29-23228	Yes
Differential pressure gauge (0–40 inch H <sub>2</sub> O)	29-11650	Yes
Differential pressure gauge (0–5 PSI)	29-11636	Yes

<b>Description</b>	<b>DEC Part Number</b>	<b>Included in Spares Kit</b>
Portable accessory package for gauges (2 needed)	29-11647	Yes
Tachometer (decimal readout)	29-11635	Yes
Tape crimper	47-00038	Yes
Xcelite handle	29-10562	Yes
7 inch extension	29-11625	Yes
5/32 inch × 4 inch Ballpoint hex driver	29-11630	Yes
Master skew tape (1200 ft)	29-19224	No
Magna-See tape developer	29-16871	No
50X microscope with graticule	29-20273	No
Heat sink compound	90-08268	Yes
Inspection mirror (dental type)	29-19663	No
Cleaning kit	TUC01	(comes with TU78)
Standard output tape	29-11691	No

## 16 INTRODUCTION

**Table 1-3 TU78 Maintenance Controls**

<b>Control</b>	<b>Location</b>	<b>Purpose</b>
Motion 1	MIA PCBA	It moves transport forward or reverse when on-line and in manual mode.
Read/ Write	MIA PCBA	It selects read or write mode when on-line and in manual mode.
Density	MIA PCBA	It selects 1600 or 6250 BPI density when on-line and in manual mode.
Auto/Man	MIA PCBA	It selects auto (transport connected to formatter) or test mode. When in test (or manual) mode, transport must be on-line for other MIA switches to function.
Data Pattern Select	MIA PCBA	It selects a repeating 8-frame pattern when on-line and in manual mode.
AGC Exerciser	Read PCBA	It allows Read PCBA to lock AGC to the ARA burst, or to run free.
Motion 2	Control M2 PCBA	It moves transport forward or reverse, on or off-line.
Reel Servo Disable	Reel servo PCBA	It disables the reel servo amplifiers so that certain adjustments can be made.

## 1.8 SPARES KIT LISTS

### 1.8.1 TM78 Spares Kit (A2-W0342-10)

The following lists the contents of the TM78 Spares Kit.

<b>DEC Part Number</b>	<b>Description</b>
M8950	Read data sync module
M8951	ECC module
M8952	CRC/ACRC module

<b>DEC Part Number</b>	<b>Description</b>
M8953	Read path microcontroller module
M8955	TU port module
M8956	MASSBUS data interface module
M8957	Common address space module
M8958	Write translator module
M8959	Write micro/byte assembly module
M8960	Microcomputer module
54-14174	Maintenance keypad/display
H7476	Power supply regulator $\pm 15.0$ V
H7490	Power supply regulator $- 5.0$ V
H7441	Power supply regulator $+ 5.0$ V
54-14192	AC/DC low board

### 1.8.2 TU78 Spares Kit (A2-W0341-10)

The following lists the contents of the TU78 Spares Kit.

<b>DEC Part Number</b>	<b>Description</b>
29-23766	GCR/PE preamp 1 PCBA
29-23770	Interconnect F1 PCBA
29-23769	MIA PCBA
29-23763	WRITE PCBA
29-23762	READ PCBA
29-23764	Control M2 PCBA
29-23765	Capstan/regulator PCBA
29-23231	Reel servo PCBA
29-23218	Extender PCBA
29-23996	Compressor belt, 50/60 Hz
29-23989	Blower belt, 50 Hz, Lo Altitude
29-23991	Blower belt, 60 Hz, Lo Altitude
29-23220	Muffler
29-23259	Air filter
70-17382-15	15 ft TU bus cable
29-10562	Handle
29-11625	7 inch extension
29-11630	5/32 inch ball-end allen driver
29-11001	Phillips screwdriver blade
29-11635	Tachometer

## 18 INTRODUCTION

### DEC

<b>Part Number</b>	<b>Description</b>
29-11636	Gauge, 0-5 PSI
29-11650	Gauge, 0-40 inch H <sub>2</sub> O
29-11647	Accessory kit for gauges (2)
29-23206	Centering tool
29-23207	Locating bar
29-23228	Tube fitting

### 1.9 RECOMMENDED SPARES LEVELS (RSL)

In addition to the spares kit contents, the following parts are recommended to repair 98 percent of all possible failures.

#### 1.9.1 Additional TM78 RSL Parts

The following are additional RSL parts for the TM78.

### DEC

<b>Part Number</b>	<b>Description</b>
BC06S-25	25 ft MASSBUS cable
12-10930-01	230 Vac fan
12-11079-00	Pushbutton switch
12-11164-04	DIP switch
70-17381-0D	Flat cable
70-17400-00	Backplane

#### 1.9.2 Additional TU78 RSL Parts

The following are additional RSL parts for the TU78.

### DEC

<b>Part Number</b>	<b>Description</b>
12-17916-02	Fan, tube axial 230 V
29-16280-00	Switch, MICRO
29-23216-00	Sense assy, reel
29-23217-00	Sense assy, pack
29-23236-00	Motor assy, reel
29-23238-00	Switch, pressure
29-23239-00	Switch, pressure
29-23242-00	EOT/BOT assy
29-23243-00	TIP assy
29-23246-00	Transducer assy, vacuum



<b>DEC Part Number</b>	<b>Description</b>
29-23247-00	Circuit breaker
29-23248-00	Valve assy, vacuum
29-23249-00	Valve assy, pressure
29-23250-00	Bearing, air
29-23251-00	Bearing, air
29-23252-00	Bearing, air
29-23257-00	Compressor
29-23280-00	Motor, gear drv
29-23287-00	Motor, ac
29-23297-00	Switch, backwrap defeat
29-23298-00	Blower assy (Below SN SP002386)
29-24013	Blower assy (SN SP002386 and above)
29-23308-00	Relay reed SS 12 Vdc
29-23321-0P	Cable, flat ribbon (AMTIE)
29-23322-00	Thread block 2
29-23323-00	Thread block 4
29-23324-00	Thread block assy
29-23325-00	Thread block assy
29-23326-00	Thread block assy
29-23475-00	Hub reel
29-23767-00	Head, R/W
29-23768-00	Motor assy, capstan
29-23771-00	Controls assy
10-11643-00	18,000 MFD 25V +75-10%
12-14405-00	Door, tape transport, front
29-23208-00	Hub, machined
29-23209-00	Flange, front
29-23211-00	Interconnect D1
29-23215-00	Door assy, buffer box
29-23219-00	Spring, compression
29-23222-00	Spring, bellville
29-23223-00	Washer
29-23241-00	Cleaner, tape
29-23255-00	Guide plate "R"
29-23256-00	Guide plate "C"

## 20 INTRODUCTION

### DEC

#### Part

#### Number

#### Description

29-23258-00	Transformer
29-23279-00	Filter, RFI
29-23283-00	Guide, Air
29-23284-00	Hub, motor 50 Hz
29-23285-00	Hub, motor 60 Hz
29-23286-00	Catch, spring
29-23288-00	Receptacle, fastener
29-23309-00	47000 MFD 15 W VDC +75%-10%
29-23310-00	61000 MFD 50 W VDC +100%-10%
29-23311-00	RECT, BRDG 25 A 100 PN
29-23312-00	RECT, BRDG 10 A 100 A
29-23320-00	330 20 W 10% WW
29-23361-00	Cap plug
29-23655-00	Kit, vac hose/tubing
70-17143-00	Fan assembly TU78
90-07221-00	Fuse, reg blow, 5 A, 250 V
90-08835-00	Fuse, reg blow, 20 A, 32 V
90-08838-00	Fuse, reg blow, 10 A, 32 V
29-11691-00	Tape MSTR OTPT 1200X1/2
29-16871-00	Magnasee
29-19224-00	Tape, master skew 1200
29-20273-00	Microscope 50 X
47-00038	Tape crimper
90-08268	Thermal compound

**1.10 RELATED DOCUMENTS**

The following list describes documents related to the TU78 subsystem.

<b>Title</b>	<b>Document Number</b>	<b>Contents</b>
TM78 Magnetic Tape Formatter User's Guide	EK-0TM78-UG	Description, programming, and installation information of the TM78
TM78 Magnetic Tape Formatter Technical Manual	EK-0TM78-TM	Theory of operation, programming information, installation, and maintenance of the TM78 Formatter and H7422 Power Supply
TU78 Magnetic Tape Transport User's Guide	EK-0TU78-UG	Description, installation instructions, and operating procedures for the TU78.
TU78 Magnetic Tape Transport Technical Manual; Volume 1	EK-1TU78-TM	Schematics and logic prints of TU78
TU78 Magnetic Tape Transport Technical Manual; Volume 2	EK-2TU78-TM	Description, installation, operation, theory, and maintenance of TU78

## 22 INTRODUCTION

<b>Title</b>	<b>Document Number</b>	<b>Contents</b>
TM78 Magnetic Tape Transport IPB	EK-TM78-IP	Exploded views and parts lists of TM78
872 Power Controller IPB	EK-00872-IP	Exploded views and parts lists of 872
874 Power Controller IPB	EK-00874-IP	Exploded views and parts lists of 874
RH20 MASSBUS Controller Unit Description	EK-RH20-UD	Description of RH20 MASSBUS controller
RH780 MASSBUS Adapter Technical Description	EK-RH780-TD	Programming and theory of RH780 MASSBUS adapter
Field Maintenance Print Set	MP01061	Engineering drawings for TU78 mechanics and cabinet, engineering drawings and parts lists for TM78 mechanics and logic, TM78 power supply chassis, +5 volt regulator, $\pm 15$ volt regulator, and -5 volt regulator

### 1.11 SYSTEM DIAGNOSTICS

The following are system diagnostics for both the TU78 and TM78.

	<b>Diagnostic Name</b>	
<b>Title</b>	<b>DECSYSTEM-20</b>	<b>VAX</b>
A. Control Logic Test	DFTUI	EVMAE
B. Data Reliability	DFTUJ	EVMAA

# 2 TROUBLESHOOTING

## 2.1 INTRODUCTION

This chapter gives a short description of the tools available for troubleshooting a failure in the subsystem. They include troubleshooting flows, on-line and in-line diagnostic programs, error log summaries, status indicators, and a maintenance panel for exercising the formatter/transport off-line.

## 2.2 ON-LINE DIAGNOSTICS

Table 2-1 lists and describes the on-line (system level) diagnostics available for each hardware family.

## 2.3 IN-LINE DIAGNOSTICS

A total of 37 in-line microdiagnostics run continuously when the subsystem is idle. If a microdiagnostic fails to operate correctly, the TM78 raises an attention interrupt to the host CPU(s). Each microdiagnostic may be called up individually for scope loops or repair verification. This is done through the TM78 maintenance panel. Table 2-2 lists each microdiagnostic and its test number.

## 2.4 ERROR LOGS

All DEC operating systems, under which the TU78 runs, support an error logging scheme. At a minimum, all MASSBUS registers are read and stored away each time a hard or uncorrectable error occurs. MASSBUS registers are listed in Appendix A. As an error log option, the extended sense summary may also be read and stored away. The extended sense summary is a 60-byte field of internal TM78 and TU78 registers. Extended sense tables for each of four possible TU78s are updated after each error. The extended sense bytes are listed in Appendix B.

## 2.5 STATUS INDICATORS FOR TROUBLESHOOTING

In addition to the TM78 maintenance panel, a total of 29 LED indicators are available for troubleshooting. Table 2-3 lists each indicator, its function, and location.

**Table 2-1 TM78/TU78 Diagnostics**

DECSYSTEM-20	VAX	Description
<b>Control Logic Test</b>		
DFTUI	EVMAE	The Control Logic Test tests MASSBUS controller and TM78 formatter logic. It also tests subsystem basic command functions while checking for proper tape motion timing. The test must be run from each CPU separately, through both MASSBUS ports (if dual port option is present). The test provides error information to the user via console or lineprinter.
<b>Data Reliability</b>		
DFTUJ	EVMAA	The Data Reliability Test tests TM78 circuitry by writing and reading pre-determined data patterns and recording modes. The test provides error information to the user via console or lineprinter. The test may be run in dual port mode (from dual CPUs) driving two or more transports.

## 2.6 ERROR CODES

The TM78 sends an interrupt code and a failure code to the host CPU at the completion of any command. These same codes are put into the maintenance display at the completion of a command issued through the maintenance keypad. Table 2-4 lists each interrupt code in numerical order followed by each failure code that could occur within that interrupt code.

Note that certain interrupt codes imply that the command completed without error or a nondata record was found (codes 01–06). Others indicate that the transport was not in the correct state to operate on the command, or that another command is necessary (codes 07–27). Still others indicate a possible hardware or software failure (codes 30–32). Interrupt code 77 is a unique code in that it applies only to keypad commands.

**Table 2-2 In-Line Self-Test Microdiagnostics**

<b>Test Number</b>	<b>Description</b>
0	Write microcontroller self-test (M8959)
1	Translator ROM parity test (M8958)
2	Read path microcontroller self-test (M8953)
3	Read channel 0 (slot AB12) self-test
4	Read channel 1 (slot AB13) self-test
5	Read channel 2 (slot AB14) self-test
6	Read channel 3 (slot AB15) self-test
7	Read channel 4 (slot AB16) self-test
10	Read channel 5 (slot CD13) self-test
11	Read channel 6 (slot CD14) self-test
12	Read channel 7 (slot CD15) self-test
13	Read channel P (slot CD16) self-test
14	Read path error corection self-test (M8951)
15	Microcomputer RAM memory self-test (Loc 40000-40777)
16	Microcomputer RAM memory self-test (Loc 41000-41777)
17	Microcomputer RAM memory self-test (Loc 42000-42777)
20	Microcomputer RAM memory self-test (Loc 43000-43777)
21	Microcomputer RAM memory self-test (Loc 44000-44777)
22	Microcomputer RAM memory self-test (Loc 45000-45777)
23	Microcomputer RAM memory self-test (Loc 46000-46777)
24	Microcomputer RAM memory self-test (Loc 47000-47777)
25	Loop write-to-read at TU port 0 in GCR
26	Loop write-to-read at TU port 0 in PE
27	Loop write-to-read at TU port 1 in GCR
30	Loop write-to-read at TU port 1 in PE
31	Loop write-to-read at TU port 2 in GCR
32	Loop write-to-read at TU port 2 in PE
33	Loop write-to-read at TU port 3 in GCR
34	Loop write-to-read at TU port 3 in PE
35	Loop write-to-read at MIA 0 in GCR
36	Loop write-to-read at MIA 0 in PE
37	Loop write-to-read at MIA 1 in GCR
40	Loop write-to-read at MIA 1 in PE
41	Loop write-to-read at MIA 2 in GCR
42	Loop write-to-read at MIA 2 in PE
43	Loop write-to-read at MIA 3 in GCR
44	Loop write-to-read at MIA 3 in PE



**Table 2-3 Troubleshooting Indicator Functions**

<b>Indicator Number on Figure</b>	<b>Function</b>	<b>Possible Failing FRU</b>
1-3 1*	A channel has failed. These nine indicators reflect the quality of the data stream for each channel or track. They indicate loss of SYNC or track dropout. Nonlatched	<ul style="list-style-type: none"> <li>• TU78 transport</li> <li>• TU Bus cable (n)B</li> <li>• M8950</li> </ul>
1-3 2*	A parity error has occurred in the ECC microcontroller. Latched	<ul style="list-style-type: none"> <li>• M8951</li> </ul>
1-3 3*	There has been a TU bus status parity error. Wrong Parity was received at the TU port on the WCS lines. Latched	<ul style="list-style-type: none"> <li>• TU bus cable (n)A</li> <li>• TU78 MIA</li> <li>• M8955</li> </ul>
1-3 4*	-5 V for the MASSBUS transceivers is out of specification. Nonlatched	<ul style="list-style-type: none"> <li>• H7490</li> <li>• H7422</li> <li>• TM78 backplane</li> </ul>
1-3 5*	Wrong parity was received at the MASSBUS port on a control bus command write. Latched	<ul style="list-style-type: none"> <li>• MASSBUS cable</li> <li>• RHXX controller</li> <li>• M8957</li> </ul>
1-3 6*	A parity error has occurred in the translator microcontroller. Latched	<ul style="list-style-type: none"> <li>• M8958</li> </ul>
1-3 7*	A parity error has occurred in the write microcontroller. Latched	<ul style="list-style-type: none"> <li>• M8959</li> </ul>

\*The normal state of the indicator is off.

## 28 TROUBLESHOOTING

**Table 2-3 Troubleshooting Indicator Functions (Cont)**

Indicator Number on Figure	Function	Possible Failing FRU
1-3 8*	A parity error has occurred in the microcomputer program ROM. Latched	<ul style="list-style-type: none"> <li>• M8960</li> </ul>
1-8 9†	+5 V regulator 2 is ok (supplies TM78 read path).	<ul style="list-style-type: none"> <li>• H7441</li> <li>• Any module in slots 10&lt;16</li> </ul>
1-8 10†	+5 V regulator 4 is ok (supplies TM78 write path, MASSBUS ports TU ports and micro-computer).	<ul style="list-style-type: none"> <li>• H7441</li> <li>• Any module in slots 1&lt;9</li> </ul>
1-8 11†	-5 V regulator 1 is ok.	<ul style="list-style-type: none"> <li>• H7490</li> <li>• M8956 (slot 1 or 3)</li> <li>• M8957 (slot 2 or 4)</li> </ul>
1-8 12†	+15 V regulator 3 is ok.	<ul style="list-style-type: none"> <li>• H7476</li> <li>• Any M8950</li> </ul>
1-8 13†	-15 V regulator 3 is ok.	<ul style="list-style-type: none"> <li>• H7476</li> <li>• Any M8950</li> </ul>
1-8 14†	Power is being applied to the H7422 power supply.	<ul style="list-style-type: none"> <li>• H7422 circuit breaker tripped</li> <li>• H7422 power cord</li> <li>• H7422 supply</li> </ul>
1-6 15†	A command or command address on the WCS lines was received at the MIA with wrong parity.	<ul style="list-style-type: none"> <li>• TU bus cable (n)A</li> <li>• M8955</li> <li>• TU78 MIA</li> </ul>
1-6 16†	MIA PCBA maintenance switch S4 is in MANUAL position.	<ul style="list-style-type: none"> <li>• Flip switch to AUTO</li> </ul>

\*The normal state of the indicator is off.

†The normal state of the indicator is on.

Table 2-4 Interrupt Code to Failure Code

Int Code	Name	Failure Code
01	DONE*	00 – Extended sense data not updated
		01 – Extended sense data updated and contains something of interest
02	TAPE MARK*	Always zero
03	BOT*	01 – Command was issued with tape at BOT
		02 – Saw BOT indicator after tape motion started
		03 – ARA ID detected
04	EOT*	00 – Extended sense data not updated
		01 – Extended sense data updated and contains something of interest
05	LOGICAL EOT†	Always zero
06	NO OP†	Always zero
07	REWINDING†	Always zero
10	FPT*	Always zero
11	NOT READY*	01 – TU is on-line but not ready (Possible when TU is manually rewound or loading)
		02 – Fatal error has occurred and this command cannot be performed until error status has been presented and a TM CLEAR received

\*The interrupt code is used for nondata transfer or data transfer.

†The interrupt code is used for nondata transfer only.

## 30 TROUBLESHOOTING

**Table 2-4 Interrupt Code to Failure Code (Cont)**

<b>Int Code</b>	<b>Name</b>	<b>Failure Code</b>
		03 – Access to TU is allowed but TU is either rewinding or doing a DSE from another MASSBUS or keypad command
12	NOT AVAIL*	Always zero
13	OFF LINE*	Always zero
14	NOT EXECUTABLE*	Always zero
15	NOT CAPABLE*	01 – No record found within 25 ft (7.6 m) of tape 02 – ID burst neither PE or GCR 03 – ARA ID not found 04 – No GAP found after ID burst (PE) or ARA ID burst (GCR)
17	ON LINE‡	Always zero
20	LONG REC¶	00 – Extended sense data not updated 01 – Extended sense data updated and contains something of interest
21	SHORT REC¶	00 – Extended sense data not updated 01 – Extended sense data updated and contains something of interest
22	RETRY¶	01 – CRC error, ACRC error, pointer mismatch, uncorrectable or two-track error set in ECCSTA register (This code generated by write GCR operations)

Table 2-4 Interrupt Code to Failure Code (Cont)

Int Code	Name	Failure Code
		02 – CRC error, ACRC error or uncorrectable set in ECCSTA register (This code generated by read GCR operations)
		03 – Uncorrectable error set in ECCSTA register (This code generated by read PE operations)
		04 – AMTIE, pointer mismatch, uncorrectable, two-track error or single-track error set in ECCSTA register (This code generated by write PE operations)
		05 – At least one bit set in ECCSTA register
		06 – At least one write fail bit set in RPFail and RPATH registers (This code generated by write PE operations)
		07 – More than one write fail bit set in RPFail and RPATH registers (This code generated by write CR operations)
		10 – RSTAT contains bad code
		11 – GCR characters from WMC and RMC do not match (This code generated by write PE operations)

\* The interrupt code is used for nondata transfer or data transfer.

† The interrupt code is used for nondata transfer only.

‡ The interrupt code is used for TM78 initiated.

¶ The interrupt code is used for data transfer.

Table 2-4 Interrupt Code to Failure Code (Cont)

Int Code	Name	Failure Code
		12 – MASSBUS data bus parity error (write)
		13 – Record length incorrect during retry opposite attempt; invalid data has been transferred
		14 – Tape positioned at or beyond EOT.
23	READ OPP¶	Same as Int Code 22
24	UNREADABLE¶	Same as Int Code 22
25	ERROR¶	Same as Int Code 22
26	EOT ERROR¶	Same as Int Code 22
27	BAD TAPE*	Same as Int Code 22
30	TM FAULT A*	01 – Illegal command code
		02 – Data transfer command issued while nondata transfer command in progress on same tape unit
		03 – WMC error; check ECODE (ERR CNT register – U address 326) register for reason – may be Illegal Format or Skip Count codes
		04 – RUN not received from MASSBUS controller
		05 – Command from read micro-controller loopback register did not match command loaded into RMC CMD register.
		06 – ECC ROM parity error (M8951)
		07 – XMC ROM parity error (M8958)

Table 2-4 Interrupt Code to Failure Code (Cont)

Int Code	Name	Failure Code
		10 – Command read from RMC register RCMLP did not match command loaded into RCMD register (this code generated when Verify ID Burst command loaded during write of BOT area)
		11 – Command read from RMC register RCMLP did not match command loaded into RCMD register (this code generated when Verify ARA Burst command loaded during write of BOT area)
		12 – Command read from RMC register RCMDP did not match command register (this code generated when Verify ARA ID command loaded during write of BOT area)
		13 – Command read from RMC register RCMLP did not match command loaded into RCMD register (this code generated when Verify Gap command loaded during write BOT area)
		14 – Command read from RMC register RCMLP did not match command loaded into RCMD register (this code generated when Read ID Burst command loaded during read of BOT area)

\* The interrupt code is used for nondata transfer or data transfer.

† The interrupt code is used for nondata transfer only.

‡ The interrupt code is used for TM78 initiated.

¶ The interrupt code is used for data transfer.

**Table 2-4 Interrupt Code to Failure Code (Cont)**

<b>Int Code</b>	<b>Name</b>	<b>Failure Code</b>
14		Command read from RMC register RCMLP did not match command loaded into RCMD register (this code generated when Read ID Burst command loaded during read of BOT area)
15		Command read from RMC register RCMLP did not match command loaded into RCMD register (this code generated when Verify ARA ID command loaded during read of BOT area)
16		Command read from RMC register RCMLP did not match command loaded into RCMD register (this code generated when Verify Gap command loaded during read of BOT area)
17		Command read from RMC register RCMLP did not match command loaded into RCMD register (this code generated when Find Gap command loaded during Erase Gap routine)
20		WMC LEFT failed to set in Extended Sense routine
21		PE parity error on data as it leaves translator (checked at translator output).
22		XMC DONE did not set (M8958, M8959)
23		WMC ROM PE or RD PE set in WMCERR register (M8959, M8952, M8951)



**Table 2-4 Interrupt Code to Failure Code (Cont)**

Int Code	Name	Failure Code
		22 – XMC DONE did not set (M8958, M8959)
		23 – WMC ROM PE or RD PE set in WMCERR register (M8959, M8952, M8951)
31	TU FAULT A*	01 – TU status parity error (MIA)
		02 – TU command parity error (M8955)
		03 – Rewinding tape went off-line
		04 – Tape went not ready during DSE
		05 – TU CMD status changed during DSE
		06 – Capstan did not reach velocity within 2 ms forward or 4 ms reverse
		07 – TU velocity drifted after up to speed and writing started
		10 – TU CMD did not load correctly to start tape motion in selected function routine (example: on forward (write) – looks for forward, write, and motion: on reverse – looks for reverse and motion)
		11 – TU CMD did not load correctly to set drive density
		12 – TU CMD did not load correctly to start tape motion to write BOT ID Burst
		13 – TU CMD did not load correctly to backup tape to BOT after failing to write BOT ID
		14 – Failed to write density ID Burst correctly. Looks for 256 correct samples out of 1200

\* The interrupt code is used for nondata transfer or data transfer.

**Table 2-4 Interrupt Code to Failure Code (Cont)**

Int Code	Name	Failure Code
		15 – Failed to write ARA Burst correctly. Looks for 1/4 inch perfect characters in ARA burst.
		16 – Failed to write ARA ID correctly. Looks for 1/4 inch perfect out of 2 inches
		17 – ARA error bit set in MTA status B register
		21 – Could not find a gap after the ID code was written correctly
		22 – TU CMD did not load correctly to start tape motion to read ID Burst
		23 – Time-out looking for BOT after detecting ARA ID burst
		24 – Failed to write tape mark correctly
		25 – Velocity checks passed, but tape never came up to speed while trying to reposition for retry of writing tape mark
		26 – TU CMD did not load correctly to start tape motion in Erase Gap routine
		27 – Could not detect a gap in Erase Gap routine. Gap must be at least 0.2 inch blank tape on 7 tracks (AMTIE's – 1.6 ms)
		30 – Could not detect a gap after writing record
		31 – Read path terminated before entire record was written. Less than 937 byte count = erase problem. Greater than 937 byte count = erase/write problem or bad spot on tape

**Table 2-4 Interrupt Code to Failure Code (Cont)**

<b>Int Code</b>	<b>Name</b>	<b>Failure Code</b>
		32 – Could not find a gap after writing record and read path terminated early. Starts looking for gap 0.15 inch before end of record
		33 – TU CMD did not load correctly to backup for retry of write tape mark
		34 – TU lost velocity in reverse while trying to reposition for retry of writing tape mark
		35 – TU CMD did not load correctly to backup to retry a read of BOT ID
		36 – Time-out looking for BOT after failing to write BOT ID
		37 – TU velocity changed while writing PE gap before starting to write record
		40 – TU CMD did not load correctly to set PE tape density at start of write BOT ID burst
		41 – TU CMD did not load correctly to set GCR tape density after writing Density ID
		42 – TU CMD did not load correctly to set PE tape density at start of read from BOT
		43 – TU CMD did not load correctly to set GCR tape density after reading a GCR Density ID burst

**Table 2-4 Interrupt Code to Failure Code (Cont)**

<b>Int Code</b>	<b>Name</b>	<b>Failure Code</b>
32	TM FAULT B‡	43 – TU CMD did not load correctly to set GCR tape density after reading a GCR Density ID burst
		00 – RST0 interrupt occurred with TMRDY still set(AC/DC LO)
		01 – Power failed interrupt
		02 – 8085 interrupt for unknown reason on channel 5.5
		03 – 8085 interrupt for unknown reason on channel 6.5
		04 – 8085 interrupt for unknown reason on channel 7
		05 – 8085 interrupt for unknown reason on channel 7.5
		06 – CAS retry count expired (greater than 255)
		07 – CAS contention received but not legitimate
		10 – Queue error; could not find queue entry
		11 – 8085 queue entry already full
		12 – 8085 ROM parity error
		13 – In-line test 0; WMC (write microcontroller) self-test failed =M8959-M8957
		14 – In-line test 1; XMC ROM (translator microcontroller) parity error M8958-M8959-M8960
		15 – In-line test 2; RPM (read path microcontroller) self-test failed M8953-M8960
		16 – In-line test 3; RPM1 channel 0 self-test failure M8950 (slot AB12)

Table 2-4 Interrupt Code to Failure Code (Cont)

Int Code	Name	Failure Code
17	In-line test 4; RPM1 channel 1 self-test failure M8950 (slot AB13)	
20	In-line test 5; RPM1 channel 2 self-test failure M8950 (slot AB14)	
21	In-line test 6; RPM1 channel 3 self-test failure M8950 (slot AB15)	
22	In-line test 7; RPM1 channel 4 self-test failure M8950 (slot AB16)	
23	In-line test 10; RPM1 channel 5 self-test failure M8950 (slot CD13)	
24	In-line test 11; RPM1 channel 6 self-test failure M8950 (slot CD14)	
25	In-line test 12; RPM1 channel 7 self-test failure M8950 (slot CD15)	
26	In-line test 13; RPM1 channel P self-test failure M8950 (slot CD16)	
27	In-line test 14; RPM1 error correction self-test M8950-M8951-M8953	
30	In-line test 15; 40000 – 40777 RAM memory failure M8960	
31	In-line test 16; 41000 – 41777 RAM memory failure M8960	

\* The interrupt code is used for nondata transfer or data transfer.

† The interrupt code is used for nondata transfer only.

‡ The interrupt code is used for TM78 initiated.

¶ The interrupt code is used for data transfer.

Table 2-4 Interrupt Code to Failure Code (Cont)

Int Code	Name	Failure Code
		31 – In-line test 16; 41000 – 41777 RAM memory failure M8960
		32 – In-line test 17; 42000 – 42777 RAM memory failure M8960
		33 – In-line test 20; 43000 – 43777 RAM memory failure M8960
		34 – In-line test 21; 44000 – 44777 RAM memory failure M8960
		35 – In-line test 22; 45000 – 45777 RAM memory failure M8960
		36 – In-line test 23; 46000 – 46777 RAM memory failure M8960
		37 – In-line test 24; 47000 – 47777 RAM memory failure M8960
		* 40 – In-line test 25; loop write-to-read at TU port 0 – GCR
		* 41 – In-line test 26; loop write-to-read at TU port 0 – PE
		* 42 – In-line test 27; loop write-to-read at TU port 1 – GCR
		* 43 – In-line test 30; loop write-to-read at TU port 1 – PE
		* 44 – In-line test 31; loop write-to-read at TU port 2 – GCR
		* 45 – In-line test 32; loop write-to-read at TU port 2 – PE
		* 46 – In-line test 33; loop write-to-read at TU port 3 – GCR
		* 47 – In-line test 34; loop write-to-read at TU port 3 – PE

Table 2-4 Interrupt Code to Failure Code (Cont)

Int Code	Name	Failure Code
		† 50 – In-line test 35; loop write-to-read at MTA 0 – GCR
		† 51 – In-line test 36; loop write-to-read at MTA 0 – PE
		† 52 – In-line test 37; loop write-to-read at MTA 1 – GCR
		† 53 – In-line test 40; loop write-to-read at MTA 1 – PE
		† 54 – In-line test 41; loop write-to-read at MTA 2 – GCR
		† 55 – In-line test 42; loop write-to-read at MTA 2 – PE
		† 56 – In-line test 43; loop write-to-read at MTA 3 – GCR
		† 57 – In-line test 44; loop write-to-read at MTA 3 – PE
34	MB FAULT	01 – Control bus parity error (Write)
		02 – Illegal MASSBUS register referenced
77	KEY FAIL	01 – Keypad entry error
		02 – TM78 not off-line
		03 – Illegal instruction code

\* The interrupt code is used for nondata transfer or data transfer.

† The interrupt code is used for nondata transfer only.

## 2.7 TM78 MAINTENANCE PANEL

A firmware driven TM78 maintenance panel provides access to the operational microcode functions, internal hardware registers, and the resident microdiagnostics.

A table of instructions may be created in RAM through the keypad to exercise the formatter or a single tape transport. Many functions of the maintenance panel can be used while the TM78 is on-line and performing tape operations for a host CPU. Added maintenance functions are provided when the TM78 is switched off-line from the host.

### NOTE

Because the operational microcode must time-share or interleave the host commands and the maintenance commands, use of the keypad while on-line causes slower response time to the commands issued by the host. Therefore, be sure to check with the system operator before using the maintenance panel to see if this latency is acceptable. If not, use the instruction delay in parameter item No. 2 (Table 2-6).

The maintenance panel includes a 20-key keypad and a 6-digit octal display cluster. Figure 2-1 shows a detailed view of the maintenance panel.

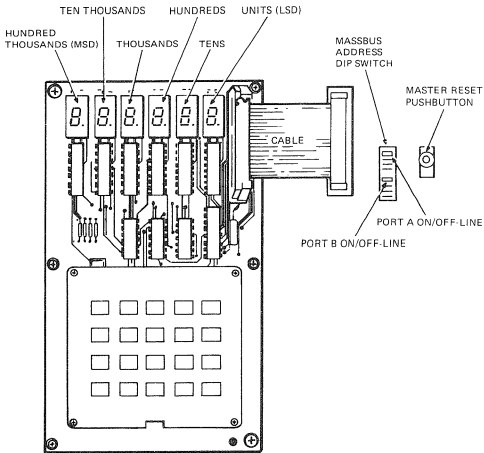
### 2.7.1 Keypad Function Summary

The following is a summary of the keypad functions.

#### Miscellaneous Keys

<b>ENA</b>	Pressing this key once enables the keypad. Pressing this key again disables the keypad.
<b>CLR</b>	CLEAR erases a number in the display and stops a looping command.





MA 7862

Figure 2-1 TM78 Maintenance Panel

## Numeric Keys

0 → 7

The eight numeric keys specify one of the following before a control or operation key is pressed.

- Memory address
- Memory data
- Internal I/O hardware address
- Internal I/O hardware data
- Parameter item number
- Parameter data
- Instruction item number
- Instruction op-code

## Control Keys

INS

The INSTRUCTION key is used to examine and modify any of the sixteen instruction locations.

**HDW** The **HARDWARE** key is used to examine and modify most of the 377 TM78 internal I/O registers. (Appendix B of the *TM78 Technical Manual*.)

**PAR** The **PARAMETER** key is used to examine and modify the set of parameter items that control the microcode in performing maintenance functions.

**MEM** The **MEMORY** key is used to examine and modify locations within the microcomputers memory space.

**NXT** The **NEXT** key causes the next sequential item or location of the group (**INS**, **HDW**, **PAR**, or **MEM**) selected last to be examined.

**DEP** The **DEPOSIT** key is used to modify the contents of an item or location.

**Operation Keys**

**EXE** The **EXECUTE** key is used to execute a single maintenance instruction one time only.

**REP** The **REPEAT** key causes a single maintenance instruction code to be executed repeatedly.

**STA** The **START** key initiates the execution of instructions previously deposited into the instruction item group.

**CON** The **CONTINUE** key may be used to continue the maintenance instruction program at the item number saved when it was last stopped.

### 2.7.2 Errors

An error code is displayed whenever a command cannot be performed. Table 2-5 lists all the error codes and the reason for the error.

**Table 2-5 Keypad Error/Status Codes**

<b>Code in Display</b>	<b>Meaning</b>
<b>E 001</b>	Value of item number or location is too large for this group.
<b>E 002</b>	Value of item number or location is already at high limit when <b>NXT</b> key was pressed.
<b>E 003</b>	No numeric value was specified before deposit.
<b>E 004</b>	Privileged function is requested (such as modifying a RAM or hardware location) with <b>TM78</b> on-line.
<b>E 005</b>	ROM address is not in use.
<b>E 006</b>	Illegal instruction code is selected for an instruction item.
<b>77 - 01</b>	Error is detected when attempting to execute a maintenance instruction to a <b>TU78</b> . Either the <b>TU78</b> selected by parameter item 0 is not in maintenance mode (port select 3), or the adjustment selected is out of acceptable tolerance.
<b>77 - 02</b>	Privileged maintenance instruction is requested with <b>TM78</b> on-line.
<b>77 - 03</b>	Illegal instruction code is specified when using <b>EXE</b> or <b>REP</b> keys.

2.7.3 Parameters

Table 2-6 lists each parameter location and a description of how it conditions or affects the hardware when running maintenance panel instructions.

Table 2-6 Parameter Items

Item Number	Read/Write	Initialized Value	Description																					
0	R/W	000	<p>MASSBUS Port/Tape unit port select</p> <p>This item selects one of two MASSBUS ports and one of four Tape unit ports to communicate with.</p> <table border="1"> <thead> <tr> <th>Bit</th> <th>Value</th> <th>Port Selected</th> </tr> </thead> <tbody> <tr> <td>7</td> <td>0</td> <td>MASSBUS A</td> </tr> <tr> <td>7</td> <td>1</td> <td>MASSBUS B</td> </tr> <tr> <td>1:0</td> <td>0</td> <td>TU Port 0</td> </tr> <tr> <td>1:0</td> <td>1</td> <td>TU Port 1</td> </tr> <tr> <td>1:0</td> <td>2</td> <td>TU Port 2</td> </tr> <tr> <td>1:0</td> <td>3</td> <td>TU Port 3</td> </tr> </tbody> </table> <p>This item corresponds to hardware register 340-W.</p>	Bit	Value	Port Selected	7	0	MASSBUS A	7	1	MASSBUS B	1:0	0	TU Port 0	1:0	1	TU Port 1	1:0	2	TU Port 2	1:0	3	TU Port 3
Bit	Value	Port Selected																						
7	0	MASSBUS A																						
7	1	MASSBUS B																						
1:0	0	TU Port 0																						
1:0	1	TU Port 1																						
1:0	2	TU Port 2																						
1:0	3	TU Port 3																						
1	R/W	000	<p>Program run control</p> <p>This item is used by the <b>STA</b> and <b>CON</b> keys. When this item is any number other than 0, a program can be single-stepped one instruction at a time. When this item is 0 the program can run.</p>																					
2	R/W	000	<p>Instruction delay</p> <p>This item is used to insert a delay between each instruction pass when in LOOP mode. The larger the number the longer the</p>																					

Table 2-6 Parameter Items (Cont)

Item Number	Read/Write	Initialized Value	Description
			delay. The delay can be used to reduce the impact on host CPU throughput, to allow tape to stop between instructions, etc.
3	R/W	000	General-Purpose counter  This counter can be loaded, counted, and tested by maintenance instructions.
4	R	000	Branch status  Status byte returned by all instructions. Used by conditional branch instructions.  Bit 0 – error Bit 1 – end of tape Bit 2 – tape mark
5	R	000	Interrupt code (Table 2-5)
6	R	000	Failure code (Table 2-5)  Items 5 and 6 contain the execute status returned by the last tape command or in-line diagnostic control instruction. Program control and privileged instructions return execute status but do not write into these parameter items. These items make it possible to run a program that performs tape commands and halts if an error is detected. The actual error can be identified by examining these parameter items after the program halts.

Table 2-6 Parameter Items (Cont)

Item Number	Read/Write	Initialized Value	Description																																	
7	R	000	<p>Program continue address</p> <p>The CON key uses this item to determine next instruction address.</p>																																	
10	R/W	*	<p>In-line diagnostic index</p> <p>This item selects an in-line diagnostic program for maintenance instruction 16. Refer to Table 2-2 for a listing of the in-line tests available.</p>																																	
11	R/W	120	<p>Data format and skip count</p> <p>Data transfer maintenance instructions uses this item and corresponds to hardware register 320-W. Initialized to image format with a zero skip count.</p>																																	
<table border="1"> <thead> <tr> <th>Bit</th> <th>Value</th> <th>Description</th> </tr> </thead> <tbody> <tr> <td>7</td> <td>–</td> <td>Not used</td> </tr> <tr> <td>6:4</td> <td></td> <td>Format Control</td> </tr> <tr> <td></td> <td>0</td> <td>11 normal</td> </tr> <tr> <td></td> <td>1</td> <td>15 normal</td> </tr> <tr> <td></td> <td>2</td> <td>10 compatible</td> </tr> <tr> <td></td> <td>3</td> <td>10 core dump</td> </tr> <tr> <td></td> <td>4</td> <td>10 high-density compatible</td> </tr> <tr> <td></td> <td>5</td> <td>Image (skip count has no effect)</td> </tr> <tr> <td></td> <td>6</td> <td>10 high-density dump</td> </tr> <tr> <td></td> <td>7</td> <td>Illegal</td> </tr> </tbody> </table>				Bit	Value	Description	7	–	Not used	6:4		Format Control		0	11 normal		1	15 normal		2	10 compatible		3	10 core dump		4	10 high-density compatible		5	Image (skip count has no effect)		6	10 high-density dump		7	Illegal
Bit	Value	Description																																		
7	–	Not used																																		
6:4		Format Control																																		
	0	11 normal																																		
	1	15 normal																																		
	2	10 compatible																																		
	3	10 core dump																																		
	4	10 high-density compatible																																		
	5	Image (skip count has no effect)																																		
	6	10 high-density dump																																		
	7	Illegal																																		

Table 2-6 Parameter Items (Cont)

Item Number	Read/Write	Initialized Value	Description
			3:0 Skip Count
			00 No skip
			01 Skip 1 byte
			02 Skip 2 bytes
			03 Skip 3 bytes
			04 Skip 4 bytes
			05 Skip 5 bytes
			06 Skip 6 bytes
			07 Skip 7 bytes
			10 Skip 8 bytes
			11-17 Illegal
12	R/W	020	Write function clock control
13	R/W	022	Read GCR function clock control
14	R/W	023	Read PE function clock control
15	R/W	020	LOOP write to read function clock control
			Items 12 – 15 are the data loaded into the clock control register before the function is performed. Refer to hardware register 360-W in TM78 Technical Manual for a description of the bit combinations.
16	R/W	005000	Write record size
			This 16-bit item is the byte count used by write data maintenance instructions to determine the size of the record written. It is used by read data maintenance instructions as the expected record size.

\*Item value is not initialized by enabling keypad.

Table 2-6 Parameter Items (Cont)

Item Number	Read/Write	Initialized Value	Description
17	R	000000	Read record size  This 16-bit item is returned by read data instructions as actual size of record read.
20	R/W	777777	Write data  This 18-bit item is written into the DDR for write data instructions.
21	R	000000	Read data  This 18-bit item contains the contents of the DDR after the last read data instruction, if performed in image format. It is cleared on every read in all other formats.
22	R	*	Last fatal interrupt code for port A
23	R	*	Last fatal interrupt code for port B  Item 23 and 24 are a history of last fatal interrupt code (right justified).
24	R	*	Last fatal failure code for port A
25	R	*	Last fatal failure code for port B  Items 23 and 24 are a history of the last fatal failure code (left justified).



Table 2-6 Parameter Items (Cont)

Item Number	Read/Write	Initialized Value	Description
26	R	*	Command code is being executed on last error.
27	R	*	Interrupt code is 6 bits right justified.
30	R	*	Failure code is 6 bits right justified.

**NOTE**

Items 26 through 30 are written with zeros when these locations are written as a result of the keypad hardware dump instruction.

Items 31 – 105 are hardware registers.

			Register	Contents
31	R	*	0	Read path write fail bits
32	R	*	1	Read path diagnostic bits
33	R	*	2	Read path status
34	R	*	3	Read path CMD
35	R	*	20	AMTIE
36	R	*	21	RC done
37	R	*	22	Illegal 5-4/
40	R	*	23	Mark 2
41	R	*	24	End mark
42	R	*	25	RC par bits
43	R	*	26	Postamble det
44	R	*	27	Data
45	R	*	30	CRC
46	R	*	31	Corrected data
47	R	*	32	ECC status
50	R	*	40	Channel 0 TIE bus
51	R	*	41	Channel 1 TIE bus

\*Item value is not initialized by enabling keypad.

Table 2-6 Parameter Items (Cont)

Item Number	Read/Write	Initialized Value	Description
<b>Register Contents</b>			
52	R	*	42 Channel 2 TIE bus
53	R	*	43 Channel 3 TIE bus
54	R	*	44 Channel 4 TIE bus
55	R	*	45 Channel 5 TIE bus
56	R	*	46 Channel 6 TIE bus
57	R	*	47 Channel 7 TIE bus
60	R	*	50 Channel P TIE bus
61	R	*	60 TIE bus
62	R	*	104 AMTIE
63	R	*	110 Port Status
64	R	*	114 Read data
65	R	*	240 CAS status
66	R	*	241 CBUS status
67	R	*	300 DBUS status
70	R	*	320 WMC status
71	R	*	321 TU select 0
72	R	*	322 TU select 1
73	R	*	323 Write data
74	R	*	324 Byte counter <7:0>
75	R	*	324 Byte counter <15:8>
76	R	*	325 Pad counter <7:0>
77	R	*	325 Pad Counter <15:8>
100	R	*	326 Ecode counter <7:0>
101	R	*	326 Ecode counter <15:8>
102	R	*	330 DDR/MBD A.
103	R	*	331 DDR/MBD B.
104	R	*	332 WMC Errors
105	R	*	340 Interrupt status
106	R	*	0 MIA status
107	R	*	1 MIA status A
110	R	*	2 MIA status B
111	R	*	3 Serial NR A
112	R	*	4 Serial NR B
113	R	*	5 TU diagnostics
114	R	*	Retry counter
<p>This item count of number of retry requests given. A zero means tape unit is not in error recovery.</p>			
115	R	*	Retry control bits

Table 2-6 Parameter Items (Cont)

Item Number	Read/Write	Initialized Value	Description
			Bit 5 – initial command moved tape in reverse Bit 6 – initial command was a read Bit 7 – last retry requested was in opposite direction of initial command
116	R	*	TU software status  Bit 0 – DSE command in progress Bit 1 – rewinding command in progress Bit 2 – tape unit exists Bit 3 – motion command (NDT) in progress Bit 4 – moved in reverse direction last Bit 5 – last operation wrote on tape Bit 6 – last record seen was tape mark Bit 7 – Massbus port B issued last command
117	R	*	Transfer control word  This item is the control word for last data transfer command  Bits 0–2 – write clock select Bits 3–5 – read clock select Bits 6 – PLO bypass Bit 7 – low read threshold
120	R	*	Retry suppress and format control

\*Item value is not initialized by enabling keypad.

Table 2-6 Parameter Items (Cont)

Item Number	Read/Write	Initialized Value	Description
			This item is a copy of Massbus register containing retry suppress, format and skip count.
121	R	*	Keypad enable flag
			This item is nonzero when keypad is enabled.
122 - 137			Not used
↓			
ADW 140	R	*	MIA register 0, TU78 status
LOCATIONS 140	W	*	MIA register 0, TU CMD A
ON 141	R	*	MIA register 1, MIA status a
TAPE 141	W	*	MIA register 1, TU CMD B
DECK! 142	R	*	MIA register 2, MIA status b
USEFUL 142	W	*	MIA register 2, AMTIE loop
TO 143	R	*	MIA register 3, serial No. a
CHECK 143	W	*	MIA register 3, threshold
144	R	*	MIA register 4, serial No. B
BOWLING 144	W		Not used
TAPE 145	R	*	MIA register 5, TU diagnostics
DECK 145	W		Not used
146	-		Not used
AND 147	R/W	*	MIA register 7, pattern generator data
FORWARD 150 - 157			Not used

Items 140 - 147 are explained in Appendix C of the Technical Manuals.

\*Item value is not initialized by enabling keypad.

### 2.7.4 Maintenance Instructions

A table of 16 maintenance instructions may be assembled and run using the **INS**, **STA** and **CON** keys. Single instructions may also be executed with the **EXE** and **REP** keys. The transport being exercised must be selected to port #3. Table 2-7 lists all available maintenance instruction codes, their description, and the parameter item codes that influence the execution of that instruction. Tape Command (Group A), Program Control (Group B), and In-Line diagnostic control instructions (Group C) may all be run while the TM78 is off-line or on-line with the host CPU using another transport. However, privileged instructions (Group D) require that both ports of the TM78 be placed off-line.

**Table 2-7 Maintenance Instruction Codes**

<b>Instruction Code</b>	<b>Description</b>	<b>Controlling Parameter Items (Table 2-6)</b>
<b>A. Tape Commands (Nonprivileged)</b>		
5	Rewind and unload tape	0,1
7	Rewind tape	0,1
15	Write tape mark - PE	0,1,12
17	Write tape mark - GCR	0,1,12
21	Space one record forward	0,1,13,14
23	Space one record reverse	0,1,13,14
31	Space forward one record or file	0,1,13,14
33	Space reverse one record or file	0,1,13,14
35	Erase extended gap - PE	0,1
37	Erase extended gap - GCR	0,1
51	Loop write-to-read at TU port - PE	0,1,15
53	Loop write-to-read at TU port - GCR	0,1,15
55	Loop write-to-read at MIA	0,1,15
57	Loop write-to-read at MIA PCBA - GCR	0,1,15

Table 2-7 Maintenance Instruction Codes (Cont)

Instruction Code	Description	Controlling Parameter Items (Table 2-6)
61	Write data – PE	0,1,11,12,16,20
63	Write data – GCR	0,1,11,12,16,20
71	Read forward	0,1,11,13,14,17,21
77	Read reverse	0,1,11,13,14,17,21

**B. Program Control Instructions (Do Not Use with EXE/REP Keys)**

0	NO-OP	1
2	Halt	7
4	Increment counter +1	1,3
6	Decrement counter +1	1,3
10	Update parameter items 26 through 121 with current hardware status *	0,1
12	Display contents of counter.	1,3
14	Display contents of parameter item addressed by counter.	1,3
100 + n	Load counter with n (n = 0-77)	1,3
200 + x	Branch if error status	1,4
220 + x	Branch if no error status	1,4
240 + x	Branch if EOT detected	1,4
260 + x	Branch if no EOT detected	1,4
300 + x	Branch if tape mark detected	1,4
320 + x	Branch if no tape mark detected	1,4
340 + x	Branch if counter not zero	1,3
360 + x	Unconditional branch	1

\* Refer to note on page 51.

x = Item number (0 to 17) of next instruction if branch condition is true

Table 2-7 Maintenance Instruction Codes (Cont)

Instruction Code	Description	Controlling Parameter Items (Table 2-6)
<b>C. In-Line Diagnostic Control Instructions</b>		
16	Run in-line diagnostic (Table 2-2)	1,10,15
32	Run tape speed adjustment routine	1
34	Run start ramp adjustment routine	1
36	Run forward stop ramp adjustment routine	1
40	Run reverse stop ramp adjustment routine	1
42	Write 13 mm (0.5 in) record pattern generator - PE	1,3,12,147
44	Write 13 mm (0.5 in) record using pattern generator - GCR	1,3,12,147
<b>D. Privileged Instructions (TM78 must be off-line)</b>		
26	Write continuously at 3200 FRPI in all tracks	0,12
30	Write continuously at 9042 FRPI in all tracks	0,12
46	Write continuously using pattern generator - PE	0,3,12,147
50	Write continuously using pattern generator - GCR	0,3,12,147

### 2.7.5 Sample Maintenance Routine

Figure 2-2 shows the program flow for a sample write/read maintenance routine. This routine writes a record, reads it backward and forward, then repeats the operation till the EOT marker is reached where the tape is rewound. A tally of all read errors is put into the display for each tape pass. If a write error occurs, many important TM78/TU78 registers are saved in parameter locations. Then the program halts so that these parameters can be analyzed.

The program coding is shown below.

Instruction Address	Instruction Code	Description
0	7	Rewind tape
1	100	Clear counter
2	61 (63)	Write PE (GCR)
3	240	If EOT, branch to start
4	214	If error, branch to save
5	77	Read reverse
6	211	If error, branch to count update
7	71	Read forward
10	222	Branch to write if no error
11	4	Increment counter + 1
12	12	Put count in display
13	362	Branch to write
<del>14</del>	<del>10</del>	Save registers <i>THESE ARE SAVED ANYWAY!</i>
15	2	Halt
16	362	Branch to write after continue
17	-	-

*STA*

### 2.8 TEST POINTS

The following list includes all troubleshooting test points available on the TU78 PCBAs and the corresponding signal name.

#### Control M2 PCBA

- TP 1 - GND
- TP 2 - GND
- TP 3-12 - UNUSED
- TP13 - +5 V DC
- TP14 - LDF0
- TP15 - CLK B (100 KHZ)
- TP16 - U85-2
- TP17 - UNUSED
- TP18 - NLDP1



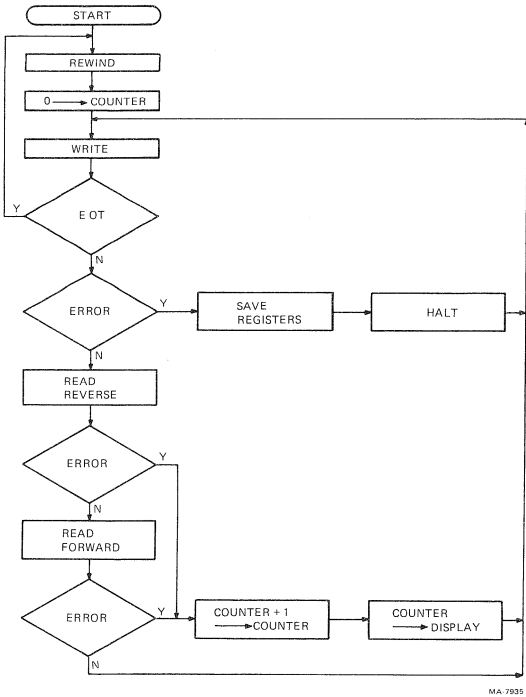


Figure 2-2 Sample Write/Read Routine

**Control M2 PCBA**

- TP19 – CLK E (10 HZ)
- TP20 – CLK A (1 MHZ)
- TP22 – U71-6 CAPSTAN REV
- TP23 – U63-6
- TP24 – U66-6 NRDY
- TP25 – GND
- TP26 – GND
- TP27 – LDF 1
- TP28 – LDF 6
- TP29 – U72-11 RWS
- TP30 – MAINT FUNCTION
- TP31 – MAINT FUNCTION
- TP32 – LDF 2
- TP33 – NTAP 2
- TP34 – N > 80 %

**Control M2 PCBA**

- TP35 – LDF 3
- TP36 – NBOT
- TP37 – STL
- TP38 – NEOT
- TP39 – CLK C (10 KHZ)
- TP40 – TACH AMP
- TP41 – LDF 5
- TP42 – LDF4
- TP43 – LOW TAPE SENSOR
- TP44 – NLDFS
- TP45 – LDS (LOAD FAULT SENSE)
- TP46 – BKW
- TP47 – MRL
- TP48 – ABP N/O
- TP49 – GND
- TP50 – GND
- TP51 – NPOL
- TP53 – THD
- TP54 – CC N/O
- TP55 – CO N/O
- TP56 – U146-5 UNLD
- TP57 – S LIMIT N/O
- TP58 – NSMRL
- TP59 – TOR N/O
- TP60 – VAC N/O
- TP61 – T LIMIT N/O
- TP62 – NINTLK
- TP63 – NCCC (CLOSE CART CMD)
- TP64 – SRF
- TP65 – SRR
- TP66 – TRF
- TP67 – TRR
- TP68 – THDS
- TP69 – NCOC (CART OPEN CMD)
- TP70 – NRSAE (REEL SERVO ENABLE)
- TP71 – PNU RET
- TP72 – NXFR

**Read PCBA**

- TP 1
- TP 2
- TP 3-9 UNUSED
- TP10 TRK 9/0 ACTIVE (CH4 & 6)
- TP11 TRK 9/1 ACTIVE (CH4 & 5)
- TP12-19 UNUSED
- TP20 U29-11

TP21 CLEAR  
TP22 ST1 CLOCKS  
TP23 UNUSED  
TP24 UNUSED

#### **Write PCBA**

TP 1 CLK 2  
TP 2 V PED  
TP 3 V STEP  
TP 4 V WRT  
TP 5 CLK 1  
TP 6 V PED AT Q27/28 WD2  
TP 7-23 UNUSED  
TP24 REWR (REWIND RAMP)

#### **Capstan/Regulator PCBA**

TP 1 GND  
TP 2 GND  
TP 3-10 UNUSED  
TP11 +5 V DC  
TP12 V SENSE  
TP13 MOTOR CURRENT  
TP14 UNUSED  
TP15 +15 VDC  
TP16 UNUSED  
TP17 UNUSED  
TP18 -15 VDC  
TP19 MOTOR VOLTAGE  
TP20-24 UNUSED  
TP49 CAPSTAN GND  
TP50 CAPSTAN GND  
TP51 NFPT  
TP52 ANALOG TACH  
TP53 UNUSED  
TP54 UNUSED  
TP55 SPARES 1  
TP56 CART SOL RET  
TP57 VAC SOL RET  
TP58 WP SOL RET  
TP59 PRES SOL RET  
TP60-64 UNUSED  
TP65 8.5 VAC  
TP66-69 UNUSED  
TP70 NPORST  
TP71 CART MTR (+)  
TP72 UNUSED

**Interconnect F1 PCBA**

TP 1 S POS  
TP 2 T POS 2  
TP 3 TIP  
TP 4 N PKSN  
TP 5 EOT  
TP 6 BOT  
TP 7 GND

**Reel Servo PCBA**

TP 1  
TP 2  
TP 4 +36 V (T)  
TP 6 TM (+)  
TP 8 TM (-)  
TP10 -36 V (T)  
TP12 +36 V (S)  
TP14 SM (-)  
TP16 SM (+)  
TP18 -36 V (S)  
TP20 UNUSED  
TP21 NTDA  
TP22 NTDB  
TP23 NSDA  
TP24 NSDB  
TP49 GND  
TP50 GND  
TP51 Q2 (COLL)  
TP52 REEL SERVO BRAKE  
TP 53 +5 V (S) TO ALL IC'S  
TP54 UNUSED  
TP55 TPOS  
TP56 NTRRTP57 NTRF  
TP58 SUM AMP OUT NDTA/B  
TP59 SUM AMP OUT T/U LOOP COMP  
TP60 NAE (REEL SERVO ENAB)  
TP61 NTINTLK  
TP62 +15 V DC  
TP63 UNUSED  
TP64 -15 V DC  
TP65 1.25 KHZ T-WAVE GEN  
TP66 SPOS  
TP67 OFFSET  
TP68 SUM AMP OUT SUP LOOP COMP  
TP69 NSRF 1  
TP70 NSRR  
TP71 SUM AMP OUT NSDA/B  
TP72 NSRF 2

# 3 CHECKS AND ADJUSTMENTS

## 3.1 PARTS REPLACEMENT

Table 3-1 lists the corequisite check or adjustment that must be made when replacing certain parts in the subsystem. If a part is not listed in the table, then no corresponding check or adjustment is required.

## 3.2 QUICK REFERENCE ADJUSTMENT SPECIFICATION

Table 3-2 provides a quick reference to the various TM78/TU78 adjustment specifications. Figures 3-1 and 3-2 show the location of various controls and switches on the TU78 PCBAs. Figure 3-3 shows the air valves with their test points and adjustments.

**Table 3-1 Checks/Adjustments When Replacing Parts**

<b>Part Replaced</b>	<b>Check or Adjustment</b>	<b>Paragraph</b>
Read/ write/ erase head	Clean transport	4.3.4*
	Power	6.5.1*
	Capstan servo adjustment	6.5.5*
	Read/write adjustments	6.5.7*
Capstan motor	System vacuum	6.5.4.1*
	Takeup reel vacuum	6.5.4.2*
	Read skew	6.5.7.1*
Supply reel motor	Supply reel load speed	6.5.6.2*
	Tape loop position	6.5.6.4*

\*TU78 Technical Manual (Vol II)

## 64 CHECKS AND ADJUSTMENTS

**Table 3-1** Checks/Adjustments When Replacing Parts (Cont)

<b>Part Replaced</b>	<b>Check or Adjustment</b>	<b>Paragraph</b>
Takeup reel motor	Takeup reel load speed	6.5.6.3*
	Tape loop position	6.5.6.4*
AC motor	Vacuum/pressure	6.5.4*
Blower	System vacuum	6.5.4.1*
	Takeup reel vacuum	6.5.4.2*
Compressor	Air bearing pressure	6.5.4.3*
	Thread block and cartridge pressure	6.5.4.4*
Read PCBA	PE gain	6.5.7.3*
Write PCBA	Write currents	6.5.7.2*
	PE gain	6.5.7.3*
Capstan Servo PCBA	Power	6.5.1*
	Capstan servo adjustments	6.5.5*
	PE gain	6.5.7.3*
Reel servo PCBA	Reel servo adjustments	6.5.6*
	Dynamic brake check	6.6.6.1*
Preamp PCBA	PE gain	6.5.7.3*
Inter-connect F1 PCBA	EOT/BOT sensor	6.5.2*
	Pack sense sensor	6.5.3*
	Tape loop position	6.5.6.4*

**Table 3-1** Checks/Adjustments When Replacing Parts (Cont)

<b>Part Replaced</b>	<b>Check or Adjustment</b>	<b>Paragraph</b>
Maintenance panel	Keypad/display power on checks	3.5.1.1*
H7441	+5 V	5.7.5†
H7446	± 15 V	5.7.5†
H7490	-5 V	5.7.5†

**NOTE**

**The paragraph number listed is for the full procedure found in the applicable technical manual.**

---

\*TU78 Technical Manual (Vol II)

†TM78 Technical Manual

Table 3-2 Adjustment Specifications

Parameter	Specified Value and Tolerance	Test Point	Adjustment	Adjustment Paragraph
TU78 Supply Voltage +5 V	+5.15 Vdc, $\pm 0.15$ Vdc	Capstan/regulator, TP11	Capstan/regulator, R179	6.5.1
Tape Path Sensors EOT/BOT sensor	0 Vdc, $\pm 0.1$ Vdc with EOT/BOT not under sensor	Interconnect F1, TP6(+) TP5(-)	Interconnect F1, R22	6.5.2
Pack sense	0.5 Vdc max with takeup reel sensor tab in line with sensor	Interconnect F1, TP4(+) TP7(-)	Interconnect F1, R17	6.5.3



Table 3-2 Adjustment Specifications (Cont)

Parameter	Specified Value and Tolerance	Test Point	Adjustment	Adjustment Paragraph
<b>Vacuum/Air Pressure</b>				
System vacuum	34 inches of water with tape running forward ( $\pm 1$ inch water)	Cripple reel port	Butterfly valve	6.5.4.1
Takeup reel vacuum	19 inches of water ( $\pm 1$ inch water)	Takeup reel vacuum port	Vacuum valve Friction plate	6.5.4.2
Air bearing pressure	3.75 PSI ( $\pm 0.25$ PSI) with tape running forward	Air bearing pressure port	Pressure valve ABP screw	6.5.4.3
Thread block pressure	24 inches of water ( $\pm 2$ inches of water)	Thread block pressure port	Thread block pressure adjustment screw	6.5.4.4
Cartridge pressure	2.5 inches of water ( $\pm 0.5$ inches of water with cartridge loaded, should be greater than 9.0 inches of water)	Cartridge pressure port	Cartridge pressure screw	6.5.4.4

Table 3-2 Adjustment Specifications (Cont)

Parameter	Specified Value and Tolerance	Test Point	Adjustment	Adjustment Paragraph
Capstan Servo Tape speed	Use TM78 maintenance panel Keypad OP Code = 32 (REP) Display value = L00	-	Capstan/regulator, R47	6.5.5
Forward start ramp	Use TM78 maintenance panel Keypad OP Code = 34 (REP) Display value = L00 ± 2	-	Capstan/regulator, R59	6.5.5
Forward stop ramp	Use TM78 maintenance panel Keypad OP Code = 36 (REP) Display value = L00 2	-	Capstan/regulator, R66	6.5.5

Table 3-2 Adjustment Specifications (Cont)

Parameter	Specified Value and Tolerance	Test Point	Adjustment	Adjustment Paragraph
Reverse stop ramp	Use TM78 maintenance panel Keypad OP Code = 40 (REP) Display value = $L00 \pm 2$	-	Capstan/regulator, R78	6.5.5
Reel Servo Servo offset	No rotation of supply reel hub	-	Reel servo PCBA R76	6.5.6.1
Supply reel load speed	55 rpm ( $\pm 5$ rpm) Reel servo PCBA TP60 and TP69 to ground (TP49)	-	Reel servo PCBA R52	6.5.6.2

Table 3-2 Adjustment Specifications (Cont)

Parameter	Specified Value and Tolerance	Test Point	Adjustment	Adjustment Paragraph
Takeup reel load speed	180 rpm ( $\pm 8$ rpm) Reel servo PCBA TP60 and TP57 to ground (TP49)	-	Reel servo PCBA R91	6.5.6.2
Tape loop position	Refer to procedure in TM	-	-	6.5.6.4
Read/Write	Clean tape path	-	-	4.3.4
Skew (azimuth)	Leading step width (using skew tape) = 1.2 1/2 s maximum, Adjust for minimum	Read PCBA TP11	Head azimuth screw	6.5.7.1

Table 3-2 Adjustment Specifications (Cont)

Parameter	Specified Value and Tolerance	Test Point	Adjustment	Adjustment Paragraph
Write current	Refer to Paragraph 3.3 in TM	-	-	6.5.7.2
PE gain	1.25 V PP at Preamp output resistor wiring all 1s on a standard output tape	Preamp resistor upper lead R1 R4 R7 R10 R13 R16 R19 R22 R25	Read PCBA Potentiometer R706 R906 R506 R106 R406 R306 R206 R806 R606	6.5.7.3

Table 3-2 Adjustment Specifications (Cont)

Parameter	Specified Value and Tolerance	Test Point	Adjustment	Adjustment Paragraph
TM78 Power +5 V (read path)	5 Vdc, $\pm 0.1$ Vdc	A16A2	A7422 Regulator 2	TM78 Tech Manual Table 5-10
+5 V (write path and control)	+5 Vdc, $\pm 0.1$ Vdc	A09A2	H7422 Regulator 4	Table 5-10
-5 V	-5.0 Vdc, $\pm 16$ Vdc	A01V2	H7422 Regulator 1	Table 5-10

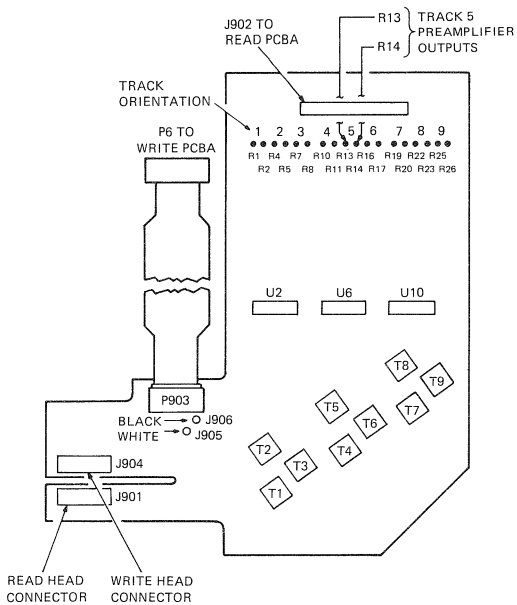


Figure 3-1 GCR/PE Preamp 1 PCBA Test Points

## 74 CHECKS AND ADJUSTMENTS

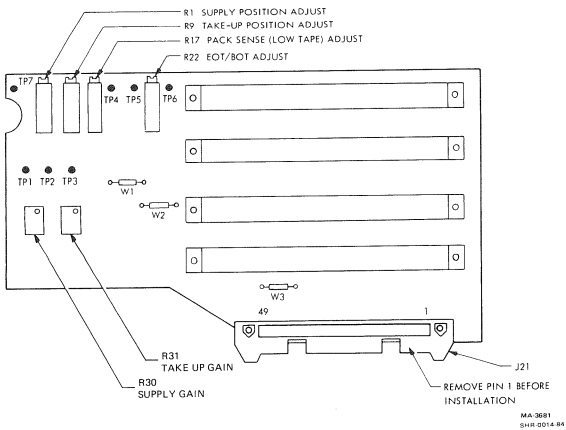


Figure 3-2 Interconnect F1 PCBA  
a. Early Model

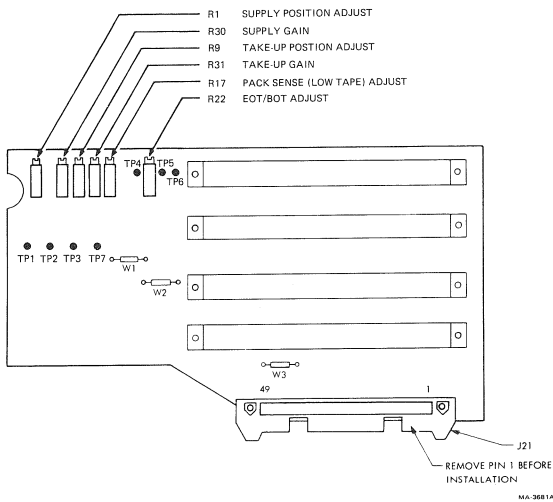
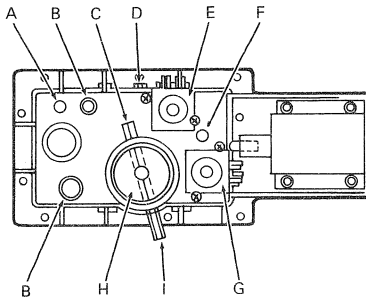
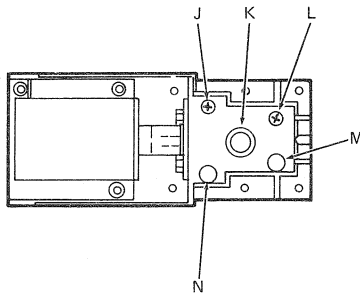


Figure 3-2 Interconnect F1 PCBA  
b. Current Model





VACUUM VALVE DETAIL



PRESSURE VALVE DETAIL

MA-3488A

Figure 3-3 Vacuum Valve and Pressure Valve

Table 3-3 Vacuum and Pressure Valve Components

Reference	Description
A	System vacuum test point
B	Reel motor connections
C	Butterfly valve adjustment screw
D	Takeup reel vacuum adjustment screw
E	Vacuum present switch
F	Takeup reel vacuum port
G	Tape on reel switch
H	Vacuum input (to pneumatic assembly)
I	Butterfly valve lock nut
J	Air bearing pressure adjustment screw
K	Pressure input (to pneumatic assembly)
L	Thread block pressure adjustment screw
M	Thread block pressure port
N	Air bearing pressure port

### 3.3 WRITE CURRENT ADJUSTMENTS

1. Verify power supply voltages according to Paragraph 6.5.1.
2. Load any write enabled 267 mm (10-1/2 in) tape to BOT. Leave the transport off-line.
3. Set the MIA switches as follows.

S1 = FWD (right)  
S2 = WRT (right)  
S3 = 1600 (left)  
S4 = MAN (right)

Data pattern (U196) equals all ones (all switches forward)

#### A. Phase Encoded Write Current Adjustments

1. Connect an oscilloscope to write PCBA (Figure 6-18) test point 6. Set the scope as follows.

Vertical ch1 = 1.0 V/div, ac (X10 probe)  
Horizontal = 0.2  $\mu$ s/div  
Sync = +, Ch 1, dc

2. Place transport on-line. The tape starts moving forward.
3. Adjust write PCBA potentiometer R50 (PE step time) for a  $1.25 \mu\text{s} \pm 1 \mu\text{s}$  positive pulse width.
4. Place transport off-line. The tape stops moving.
5. Move the scope probe to write PCBA TP3. Change the vertical setting to 2.0 V/div, dc.
6. Place transport on-line.
7. Adjust write PCBA potentiometer R19 (PE step voltage) for a  $+8.75 \text{ Vdc} \pm 0 \text{ Vdc}$  level.

8. Move the scope probe to write PCBA TP2.
9. Adjust write PCBA potentiometer R36 (PE pedestal) for a  $+6.2 \text{ Vdc} \pm 0 \text{ Vdc}$  level.
10. Place the transport off-line and rewind the tape to BOT.

**B. Group Coded Write Current Adjustments (Transport Off-line, Loaded, And at BOT, Port Switch to 3)**

Figure 3-4 shows the correct waveform for the pedestal current and step current at the tape head. You may want to use this figure as a reference. The GCR write current adjustments involve potentiometers R39, R22 and R48 on the write PCBA. To make these adjustments, proceed as follows.

**NOTE**

**Use a DVM for all measurements at TP2 and TP3 on the write PCBA.**

1. Set MIA switches S1, S2, S3, and S4 to the right. Data pattern (U196) equals all ones (all switches forward).
2. Place AGC switch (S1) on the read module to the right.
3. Adjust R22 to set TP3 to 0 V.
4. Adjust R39 to set TP2 to 0 V.
5. Using a 10X probe, set an oscilloscope to 100 mv/div and 0.5 us/div. Place the probe on track 5 (R13) of the GCR/PE preamp 1 PCBA (Figure 3-2).
6. Load a standard output tape (or a good scratch tape) with the write protect ring in place. Place the transport on-line to start the tape moving.

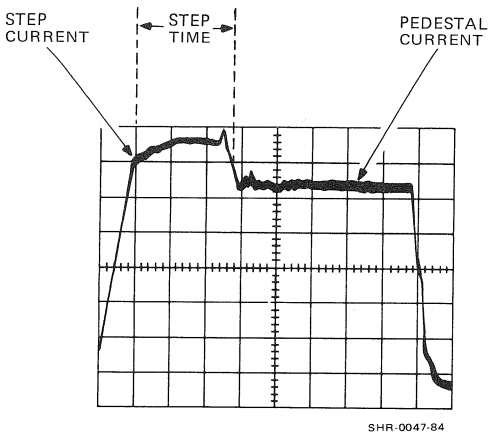


Figure 3-4 Write Head Current Waveform

7. Adjust R39 counterclockwise (CCW) for peak amplitude. (The pedestal write current is now at the approximate start of the 100 percent saturation range.)
8. Measure and record the dc voltage at TP2.
9. Continue to adjust R39 CCW until the waveform amplitude begins to decrease. (This is the approximate end of the 100 percent saturation range.)
10. Measure and record the dc voltage at TP2. Place the transport off-line to stop tape motion.
11. Add the two voltages recorded in steps 8 and 10. Divide this sum by 2. Record the result of the division.
12. Place the transport on-line and adjust R39 clockwise (CW) until TP2 is at the voltage calculated in step 11.
13. Adjust the scope's vertical sensitivity until the waveform's peak-to-peak amplitude covers the entire screen (8 cm).

14. Adjust R39 CCW until the peak-to-peak amplitude covers 7.6 cm (about 105 percent to guarantee media saturation). Then measure and record the voltage at TP2.
15. Set TP2 back to the voltage calculated in step 11.
16. Set the scope to 100 percent amplitude over 8 cm as in step 13.
17. Adjust R39 CW until the peak-to-peak amplitude covers 7.6 cm (about 95 percent saturation).
18. Adjust R22 until TP3 is at the voltage recorded in step 14. (The pedestal step current is now set to about the 105 percent saturation point.)
19. Move the scope probe to TP6 on the write PCBA. Using R48 (GCR step time), set TP6 to 350 ns +10 percent at the 50 percent point.
20. Place the AGC switch back to the left position.

If any value is outside the specified range, perform this entire If it still cannot be met, the following field replaceable units should be suspected as being defective.

The Read/Write/Erase Head  
The Write PCBA  
The Read PCBA  
The Preamp PCBA

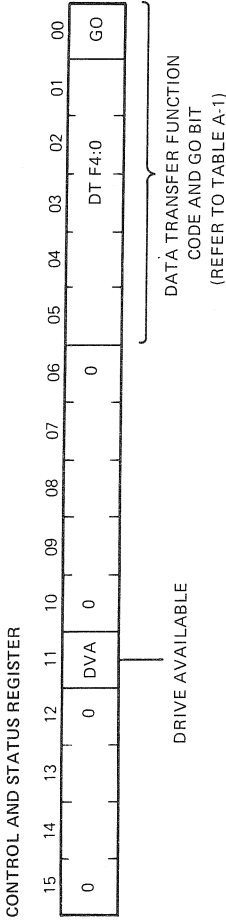
# APPENDIX A SUBSYSTEM MASSBUS REGISTERS

VAX REGISTER NUMBER/ BASE ADDR*	DECsystem:10 REGISTER SELECT	20	21	22	23	24	25	26	27	28	29	30	31	32	33	34	35	TYPE
0/0	0	DT FAILURE CODE	DVA	0	DT FAILURE CODE	0	DPR	0	DT INTERRUPT CODE	0	DT INTERRUPT CODE	0	DT FUNCTION CODE †	0	DT FUNCTION CODE †	0	GO	1
1/4	1	FORMAT	SKIP COUNT	0	RECORD COUNT	0	RECORD COUNT	0	CMD ADDR	0	CMD ADDR	0	CMD ADDR	0	CMD ADDR	0	GO	1
2/8	2	PRINT FLGS	ERROR MSG NR	0	DIAG TEST NR	0	ATTENTION BIT	0	ATTENTION BIT	0	ATTENTION BIT	0	ATTENTION BIT	0	ATTENTION BIT	0	GO	1*
3/C	3	BYTE COUNT																
4/10	4	BYTE COUNT																
5/14	5	BYTE COUNT																
6/18	6	NSA TAP	0	DUAL MB	0	WCS	DRIVE TYPE [001]	0	DRIVE TYPE [001]	0	DRIVE TYPE [001]	0	DRIVE TYPE [001]	0	DRIVE TYPE [001]	0	DRIVE TYPE [001]	1
7/1C	7	RDY PRES	ONL	REW	PE	BOT	EDT	FPT	AVAIL SHR	MAINT	DSE	0	0	0	0	0	0	1
8/20	8	BCD SN	3	BCD SN	2	BCD SN	1	BCD SN	0	BCD SN	0	BCD SN	0	BCD SN	0	BCD SN	0	1
9/24	9	AUX PRINT NR	DATA PATTERN NR	LOOP	CV	0	COMP	DIAG REQ	0	DIAG REQ	0	DIAG REQ	0	DIAG REQ	0	DIAG REQ	0	1*
A/28	10	EXPECTED DIAG DATA																
B/2C	11	NDT FAILURE CODE	ATTN ADR	0	0	0	NDT INTERRUPT CODE	0	NDT INTERRUPT CODE	0	NDT INTERRUPT CODE	0	NDT INTERRUPT CODE	0	NDT INTERRUPT CODE	0	NDT INTERRUPT CODE	1
C/30	12	COMMAND COUNT 0	COMMAND COUNT 1	COMMAND COUNT 2	COMMAND COUNT 3	INTERNAL ADDRESS	INTERNAL DATA	INTERNAL DATA	INTERNAL DATA	INTERNAL DATA	INTERNAL DATA	INTERNAL DATA	INTERNAL DATA	INTERNAL DATA	INTERNAL DATA	INTERNAL DATA	INTERNAL DATA	2
D/34	13	TM RDY CLR	MC ILR	CPE PAR	EV HLD	A HOLD	INTERNAL ADDRESS	INTERNAL DATA	INTERNAL DATA	INTERNAL DATA	INTERNAL DATA	INTERNAL DATA	INTERNAL DATA	INTERNAL DATA	INTERNAL DATA	INTERNAL DATA	INTERNAL DATA	2
E/38	14	TM RDY CLR	MC ILR	CPE PAR	EV HLD	A HOLD	INTERNAL ADDRESS	INTERNAL DATA	INTERNAL DATA	INTERNAL DATA	INTERNAL DATA	INTERNAL DATA	INTERNAL DATA	INTERNAL DATA	INTERNAL DATA	INTERNAL DATA	INTERNAL DATA	2
F/3C	15	TM RDY CLR	MC ILR	CPE PAR	EV HLD	A HOLD	INTERNAL ADDRESS	INTERNAL DATA	INTERNAL DATA	INTERNAL DATA	INTERNAL DATA	INTERNAL DATA	INTERNAL DATA	INTERNAL DATA	INTERNAL DATA	INTERNAL DATA	INTERNAL DATA	2
10/40	16	TM RDY CLR	MC ILR	CPE PAR	EV HLD	A HOLD	INTERNAL ADDRESS	INTERNAL DATA	INTERNAL DATA	INTERNAL DATA	INTERNAL DATA	INTERNAL DATA	INTERNAL DATA	INTERNAL DATA	INTERNAL DATA	INTERNAL DATA	INTERNAL DATA	2
11/44	17	TM RDY CLR	MC ILR	CPE PAR	EV HLD	A HOLD	INTERNAL ADDRESS	INTERNAL DATA	INTERNAL DATA	INTERNAL DATA	INTERNAL DATA	INTERNAL DATA	INTERNAL DATA	INTERNAL DATA	INTERNAL DATA	INTERNAL DATA	INTERNAL DATA	2

TYPE  
1. COMMON ADDRESS SPACE  
2. TM78 HARDWARE CONTROL REGISTERS  
\* DIAGNOSTIC USE ONLY  
† REFER TO TABLE A-1  
‡ REFER TO TABLE A-2

04-1970

Figure A-1 RH20 and RH780 Addresses



MA-7936

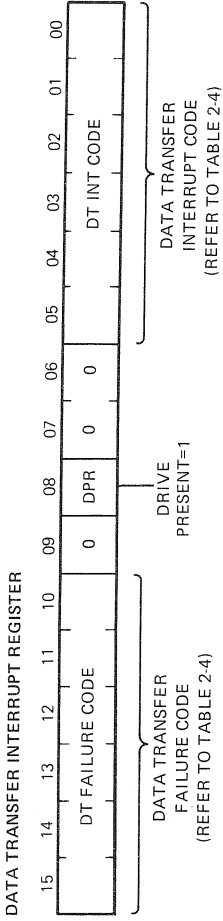
Figure A-2 Control and Status Register

**Table A-1 Data Transfer Function Codes**

<b>Function Code (Go Bit Included)</b>	<b>Name</b>	<b>Description</b>
51	WRT CK FWD	Write Check Forward – Tape subsystem reads one record in a forward direction. Data is checked in RH controller.
57	WRT CK REV	Write Check Reverse – Tape subsystem reads one record in a reverse direction. Data is checked in RH controller.
61	WRITE PE*	Write phase-encoded records
63	WRITE GCR*	Write group-coded records
71	READ FWD	Read records forward
73	EXSNS	Read extended sense error log
77	READ REV	Read records reverse

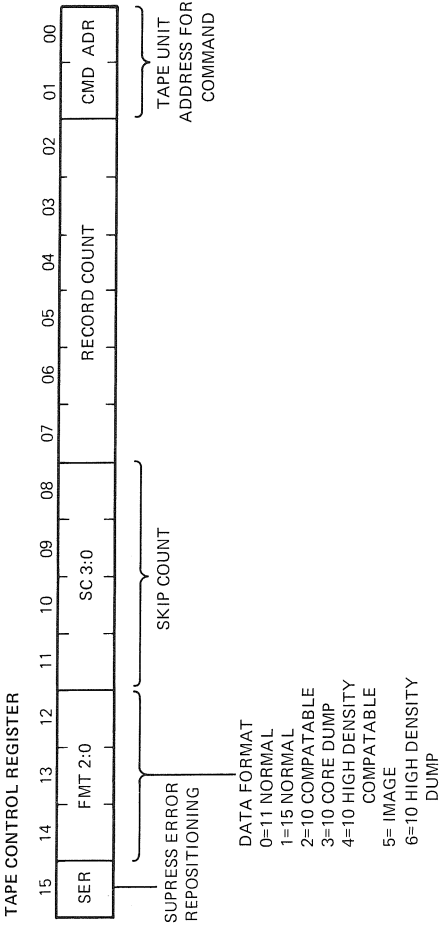
\*The recording density format is ignored unless the tape is positioned at load point. At load point, the write command specifies the recording format of the entire tape.





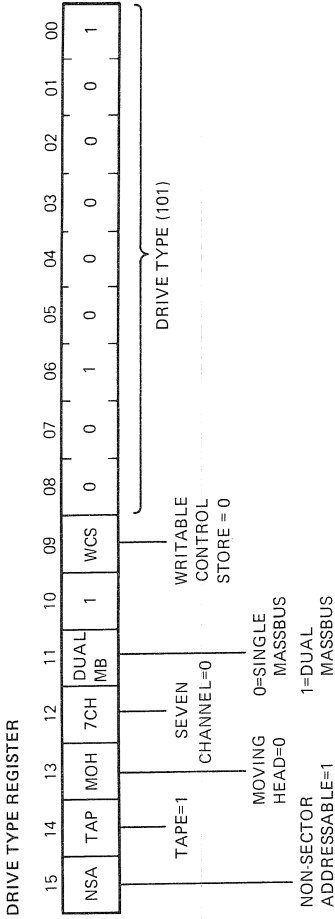
MA-7937

Figure A-3 Data Transfer Interrupt Register



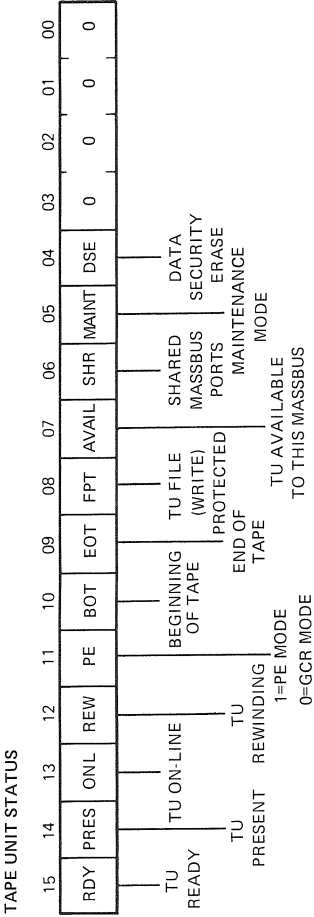
MA-7938

Figure A-4 Tape Control Register



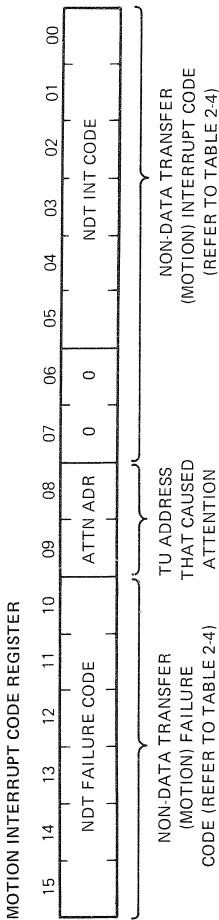
MA-7940

Figure A-5 Drive Type Register



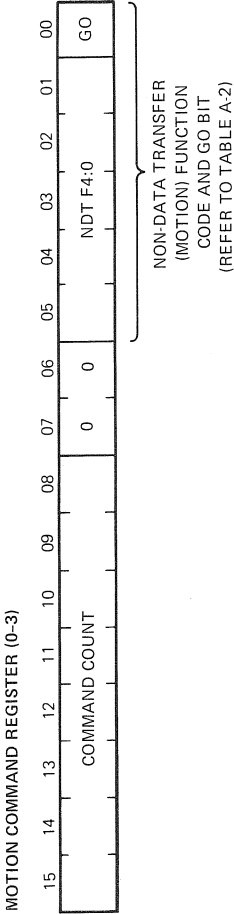
MA-7939

Figure A-6 Tape Unit Status Register



MA-7941

Figure A-7 Motion Interrupt Code Register



NOTE: THERE ARE FOUR MOTION COMMAND REGISTERS, ONE FOR EACH TU ADDRESS.

MA-7942

Figure A-8 Motion Command Register

**Table A-2 Nondata Transfer Function Codes**

<b>Function Code (Go Bit Included)</b>	<b>Name</b>	<b>Description</b>
03	NO OP	Generates a unique NO OP interrupt code
05	Unload	Unloads tape and interrupts immediately
07	Rewind*	Rewinds tape and interrupts when done
11	Sense†	Puts status information into CAS
13	Data Security Erase‡	Erases remainder of tape and rewinds
15	WTM PE §	Writes phase-encoded tape mark
17	WTM GCR §	Writes GCR tape mark
21	SP FWD REC	Spaces forward record, stops if tape mark
23	SP REV REC	Spaces reverse record, stops if tape mark or BOT
25	SP FWD FILE	Spaces forward file (to tape mark)
27	SP REV FILE	Spaces reverse file (to tape mark)
31	SP FWD EITHER	Spaces forward either record or file
33	SP REV EITHER	Spaces reverse either record or file
35	ERG PE §	Erases three inches of tape, sets PE

Table A-2 Nondata Transfer Function Codes (Cont)

Function Code (Go Bit Included)	Name	Description
37	ERG GCR §	Erases three inches of tape, sets GCR
41	Close File PE §	Writes two tape marks, spaces reverse one, sets PE
43	Close File GCR §	Writes two tape marks, spaces reverse one, sets GCR
45	SPACE LEOT	Spaces forward until two tape marks, spaces reverse one
47	SPACE FWD FILE/LEOT	Spaces forward to tape mark, stops if two successive tape marks (logical end of tape)

\*Sometimes interrupts when rewind starts; always interrupts after tape motion has stopped.

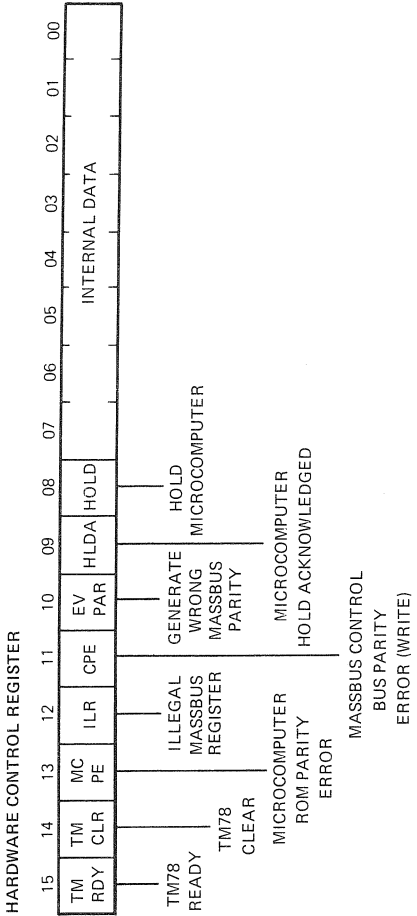
†Sense registers are valid as long as the ATTN bit is set.

‡Erases at least 3.05 m (10 ft) beyond the EOT marker.

§Recording format is ignored except when tape is at load point (BOT). It is specified by bit 1.

|| Do not use after any reverse operation; the TM78 may skip over an LEOT located where direction was reversed.





MA-7943

Figure A-9 Hardware Control Register

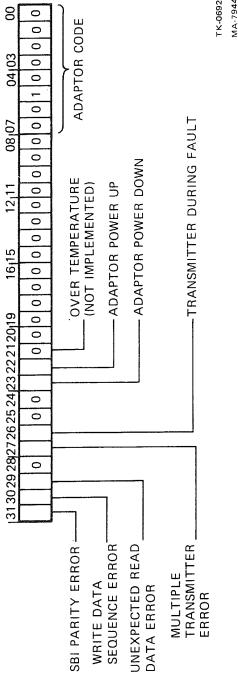
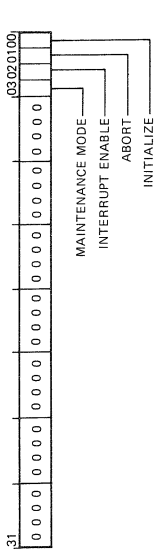


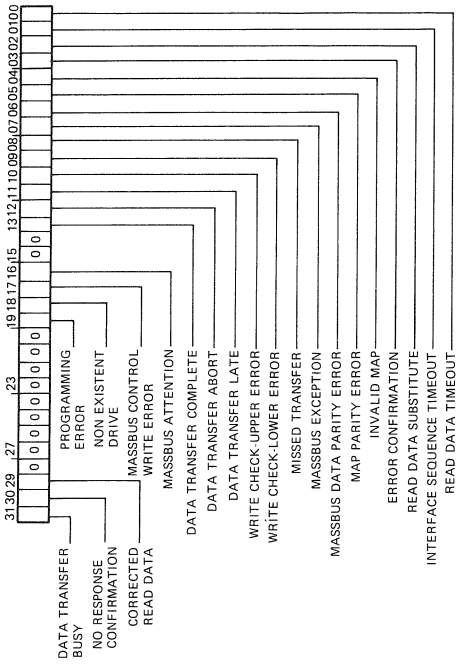
Figure A-10 Configuration/Status Register



NOTE: ALL BITS ARE READ/WRITE EXCEPT INITIALIZE WHICH ALWAYS READS AS 0

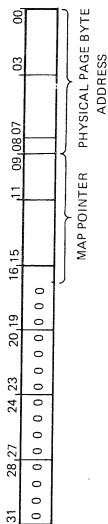
TK-0663  
M.A. 7945

Figure A-11 Control Register



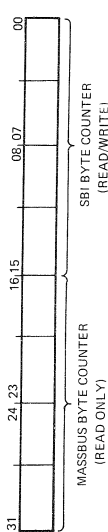
TK-0698  
MA-7946

Figure A-12 Status Register



TK-0696  
MA 7947

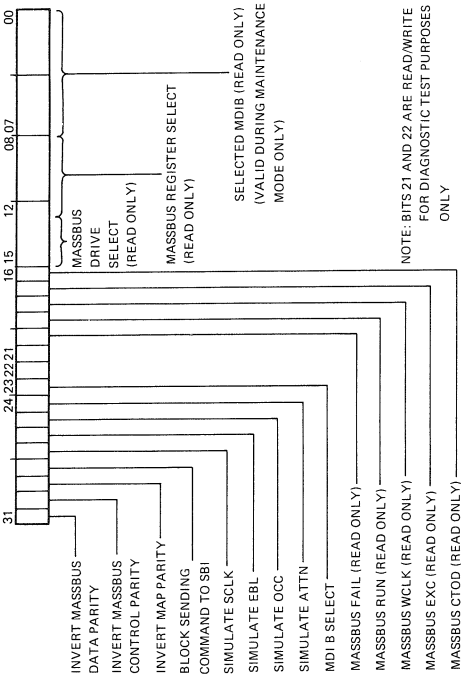
Figure A-13 Virtual Address Register



TK-0697  
MA 7948

NOTE: DATA WRITTEN INTO THE SBI BYTE COUNTER IS COPIED INTO THE MASSBUS BYTE COUNTER. 2's COMPONENT OF THE NUMBER OF BYTES TO BE TRANSFERRED

Figure A-14 Byte Counter Register



TK-0664  
MA-7950

Figure A-15 Diagnostic Register

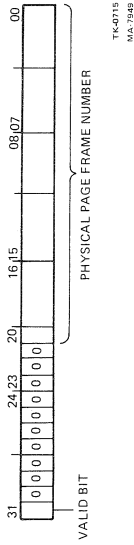


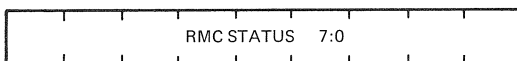
Figure A-16 Map Register

# APPENDIX B

## EXTENDED SENSE BYTES

Byte	Description
1	Command code being executed on last error
2	Interrupt code from last error
3	Failure code last error
4	Hardware register 0; read path write fail bits
5	Hardware register 1; read path diagnostic bits
6	Hardware register 2; read path status (Refer to Figure B-1)
7	Hardware register 3; read path command loop (Refer to Figure B-1)
8	Hardware register 20; AMTIES (CH 7:0) immediate status of the AMTIE lines from the tape drive. This is a dynamic read of the M8950 done bits by the M8953 read path microcontroller
9	Hardware register 21; RC DONE (CH 7:0). This bit will be falso if the associated M8950 has completed its assigned task
10	Hardware register 22; GCR-illegal 5-4, PE data error such as no bit time phase transition

ESB #6 (RSTAT)



READ PATH MICROCONTROLLER STATUS CODES ARE RETURNED IN THIS BYTE. TABLE B-1 IDENTIFIES EACH CODE AND IT'S MEANING.

MA-7951

Figure B-1 Read Path Status Byte



**Table B-1 Read Microcontroller Status Codes**

<b>Status</b>	<b>Meaning</b>
Status resulting from ECC self-test command	
101	ECC sequencer passed self-test
102	ECC sequencer failed self-test
Status resulting from an M8953 self-test	
103	Read path passed self-test
104	Read path failed self-test
Status resulting from an M8950 self-test command	
106	Read channel tests all passed
Status resulting from a clear all test command for velocity testing of drive by microcode	
1	First tach pulse
201	Last tach pulse (eleventh) (ten spaces)
Status resulting from a sample density command	
210	NOT CAPABLE found
211	GCR ID found
212	PE ID found
Status resulting from a write test of IBG, PE ID, GCR ID, ARA ID, or ARA burst	
220	Bad status (write test)
Status resulting from a tape mark test command	
222	Good tape mark found on tape status
Status resulting from a NON BOT command (read or write FWD or REV, GCR or PE)	
230	ARA ID found (not record or TM)
231	Tape mark found
234	Preamble end not found
235	Read path fault 1, too many M8950s have been fataled to continue record processing

**Table B-1 Read Microcontroller Status Codes (Cont)**

Status	Meaning
236	Read path fault 2; 7 or more M8950 BOARDS found illegal 5 to 4 translations.
241	Unexpected IBG in data; probably creased tape (7 or more AMTIES active)
261	Postamble long
262	Postamble short
377	OK

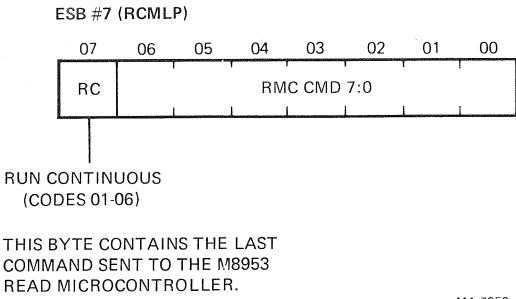
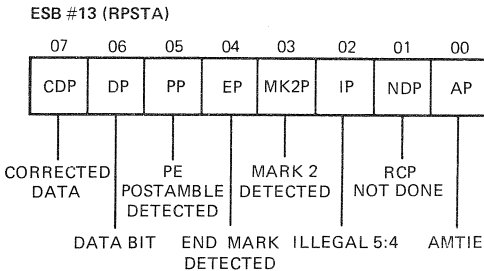


Figure B-2 Read Microcontroller Command Byte

Byte	Description
11	Hardware register 23; mark 2 (CH 7:0-RMK2)
12	Hardware register 24; end mark (CH 7:0-REND) for read channels location: M8950s
13	Hardware register 25; RC PAR bits (CH P) (Refer to Figure B-3)

**Table B-2 Read Microcontroller Command Codes**

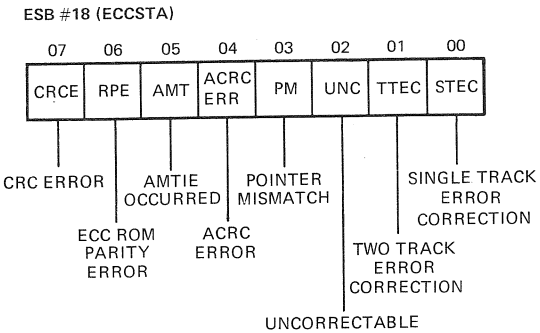
CMD Code	Description
00	NOP
01	Interblock read
02	Test PE ID burst
03	Test GCR ID burst
04	Test ARAID burst
05	Test tape mark
06	Test ARA burst
07	Normal NON-BOT read
10	Run RMC self-test
11	Test unknown ID burst
12	Run read channel micro's test
13	Diagnostic read command
14	Run read channel self-test
15	Run clear all RMC test program
16	Run ECC self-test program
17	Find gap



MA-7953

**Figure B-3 Parity Read Channel Status Byte**

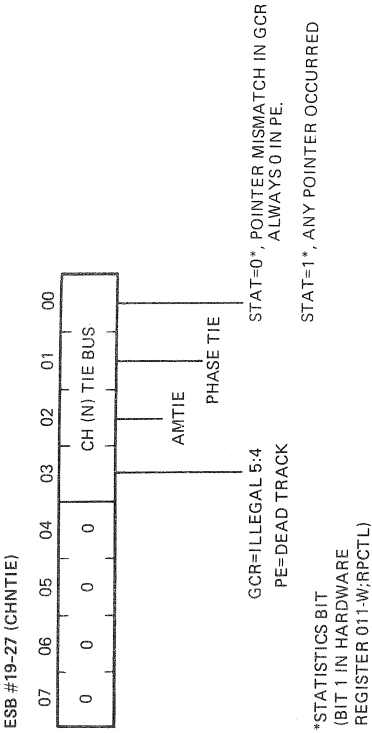
Byte	Description
14	Hardware register 26; read channel PE postamble detect register (CH 7:0); location – M8950
15	Hardware register 27: data (CH 7:0). Data output from M8950 to ECC-M8951
16	Hardware register 30; CRC word. CRC checker output bits – location: 8952



MA-7954

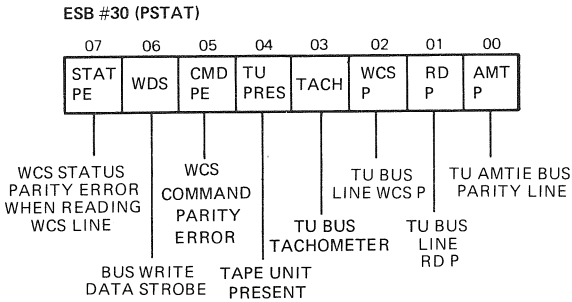
Figure B-4 ECC Status Byte

Byte	Description
17	Hardware register 31; ECCOR. Corrected data (CH 7:0). Corrected data output from M8951 to M8952
18	Hardware register 32; ECC status—8951 (Refer to Figure B-4)
19	Hardware register 40; channel 0 TIE bus (Refer to Figure B-5)
20	Hardware register 41; channel 1 TIE bus (Refer to Figure B-5)
21	Hardware register 42; channel 2 TIE bus (Refer to Figure B-5)
22	Hardware register 43; channel 3 TIE bus (Refer to Figure B-5)
23	Hardware register 44; channel 4 TIE bus (Refer to Figure B-5)
24	Hardware register 45; channel 5 TIE bus (Refer to Figure B-5)
25	Hardware register 46; channel 6 TIE bus (Refer to Figure B-5)
26	Hardware register 47; channel 7 TIE bus (Refer to Figure B-5)
27	Hardware register 50; channel P TIE bus (Refer to Figure B-5)



MA-7955  
SHR0219-84

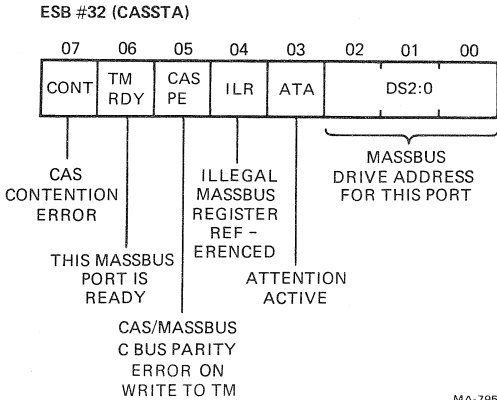
Figure B-5 Channel (N) Track in Error Byte



MA-7956  
SHR0220-84

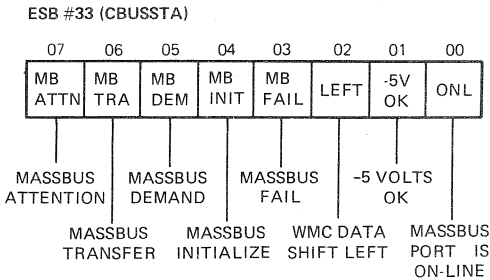
Figure B-6 TU Port Status Byte

Byte	Description
28	Hardware register 60; RTIER. Read channel bypass for diagnostic purposes.
29	Hardware register 104; TAMT. Diagnostic AMTIE loop register in 8955 module
30	Hardware register 110; PORT status (Refer to Figure B-6)
31	Hardware register 114
32	Hardware register 240; CAS status (Refer to Figure B-7)
33	Hardware register 241; CBUSSTA status (Refer to Figure B-8)
34	Hardware register 300; DBUSSTA status (Refer to Figure B-9)
35	Hardware register 320; WMC status. See Appendix B in maintenance manual for bit descriptions.
36	Hardware register 321; TU select 0. (M8955 slot 8) See Appendix B in maintenance manual for bit descriptions.
37	Hardware register 322; TU select 1. (M8955 – slot 9) See Appendix B in maintenance manual for bit descriptions.
38	Hardware register 323; WRTDAT. Write micro-controller data – 8959 module.
39	Hardware register 324; BYTCNT <7:00>. Write byte count lo word



MA-7957  
SHR0221-84

Figure B-7 CAS Port (N) Status Byte



MA-7958  
SHR0222-84

Figure B-8 MASSBUS C Bus Status Byte

Byte	Description
40	Hardware register 324; BYCNT <15:8>. Write byte count hi word
41	Hardware register 325; PAD CNT <7:0>. Write microbyte assembly pad character counter lo word
42	Hardware register 325; PAD CNT <15:8>. Write micro byte assembly pad character counter hi word
43	Hardware register 326; ERRCNT <7:0>. Hi word bits 8 – 15. Write micro byte assembly error code

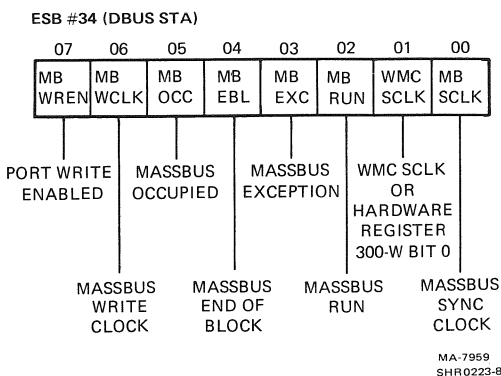


Figure B-9 MASSBUS Data Bus Status Byte

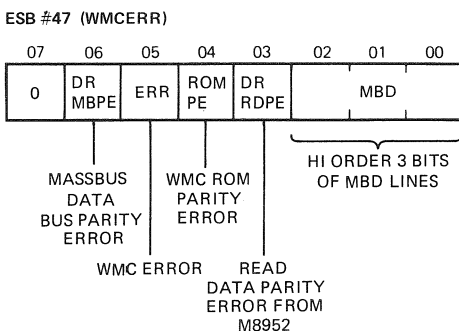
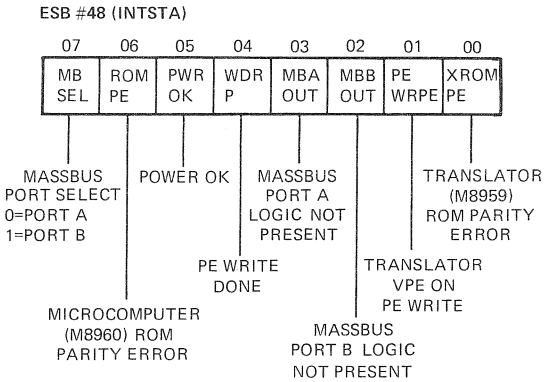


Figure B-10 Write Microcontroller Error Byte

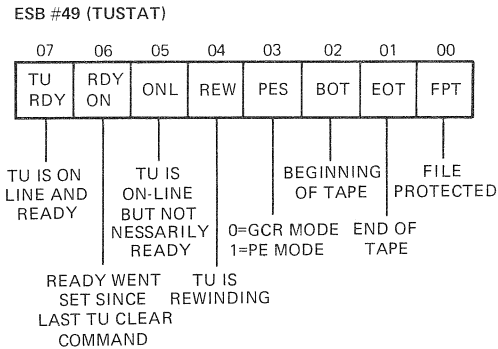
Byte	Description
44	Hardware register 326; ERRCNT code <15:8> word bits 0 – 17. Refer to Appendix B in maintenance manual for bit codes
45	Hardware register 330; DDR A diagnostic data register A used to test bus between M8956 and M8959
46	Hardware register 331; DDR B. Diagnostic data register B used to test bus between M8956 and M8959
47	Hardware register 332 WMCERR (Refer to Figure B-10)





MA-7961

Figure B-11 Interrupt Status Byte

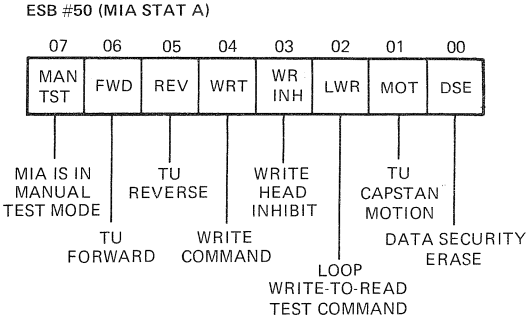


MA-7962

Figure B-12 TU78 Status Byte

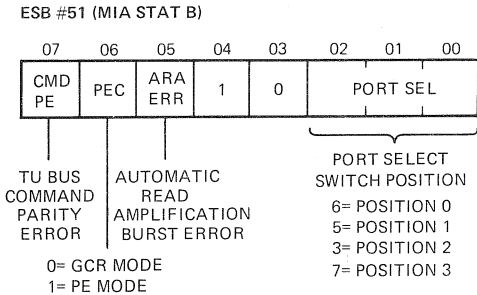
Byte	Description
48	Hardware register 340; INTSTA (Refer to Figure B-11). Interrupt status byte on M8960
49	MIA register 0; TU78 status (Refer to Figure B-12)

<b>Byte</b>	<b>Description</b>
50	MIA register 1; MIA status A (Refer to Figure B-13)
51	MIA register 2; MIA status B (Refer to Figure B-14)
52	MIA register 3; SNTH. Serial number – thousands and hundreds digits (BCD)
53	MIA register 4; SNTU serial number – tens and units digits (BCD).
54	MIA register 5; diag (Refer to Figure B-15)
55	Retry counter (RETCNT) – This byte is the count of retry interrupt requests given for the tape unit. When this count is zero, the tape unit is not in a retry sequence.
56	Retry control bits (RETCNT+) – This byte is used by the microcode to control error recovery. It is meaningful only when the retry counter (byte 55) is not zero. (Refer to Figure B-16)
57	TU software status (TUx). This byte contains information about the tape drive. (Refer to Figure B-17)
58	Transfer control word (XFRCTL) – This byte contains control information used by data transfer commands. (Refer to Figure B-18)
59	Retry suppress and format control (XRETRY). This byte contains the contents of the left half of the MASSBUS register (CAS register 2), which contains the SER (Supress Internal Error Repositioning) bit, format, and skip count.
60	Keypad enable flag (ENAON) – This byte is not zero when the keypad is enabled.



MA-7963

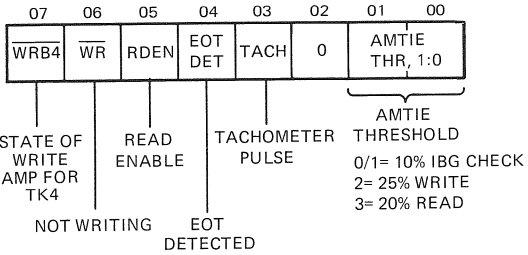
Figure B-13 MIA Status A Byte



MA-7964

Figure B-14 MIA Status B Byte

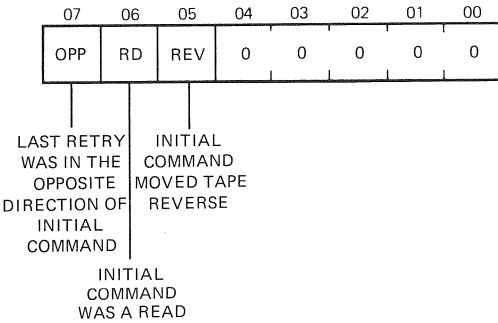
ESB #54 (TUDIAG)



MA-7965

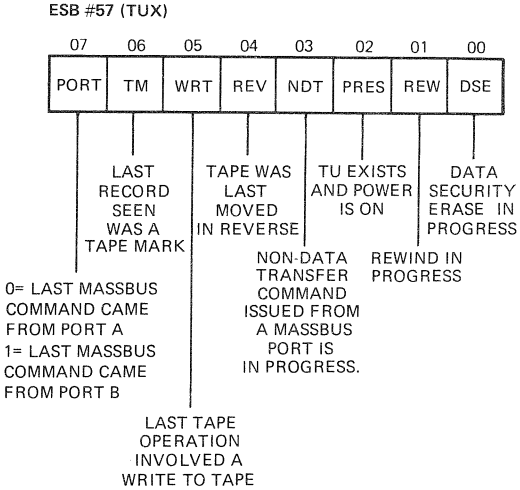
Figure B-15 MIA TU Diagnostics Byte

ESB #56 (RETCNT+1)



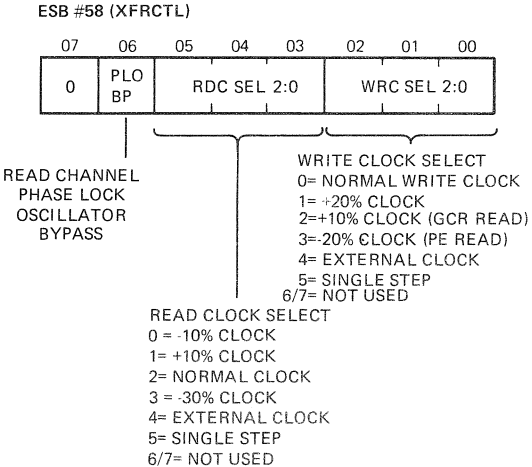
MA-7966

Figure B-16 Retry Control Byte



MA-7967  
SHR0225-84

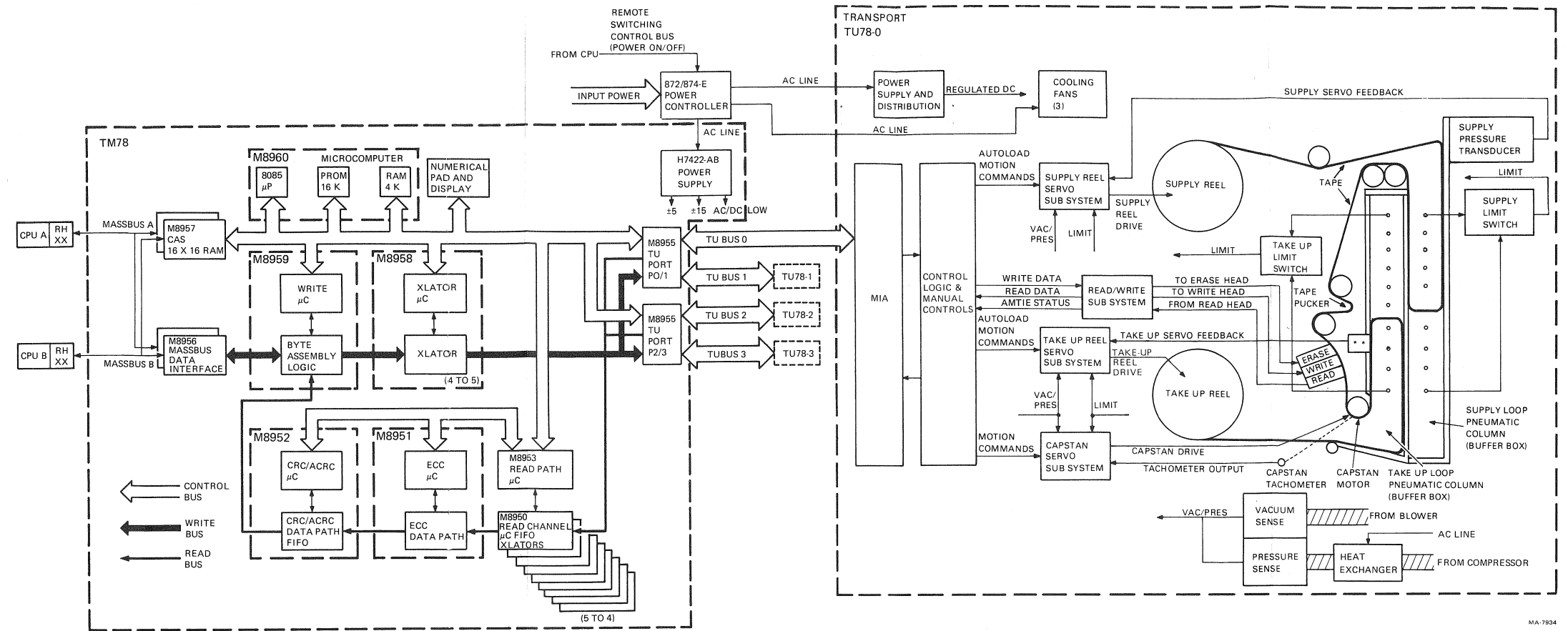
Figure B-17 TU Software Status



MA-7968  
SHR0226-84

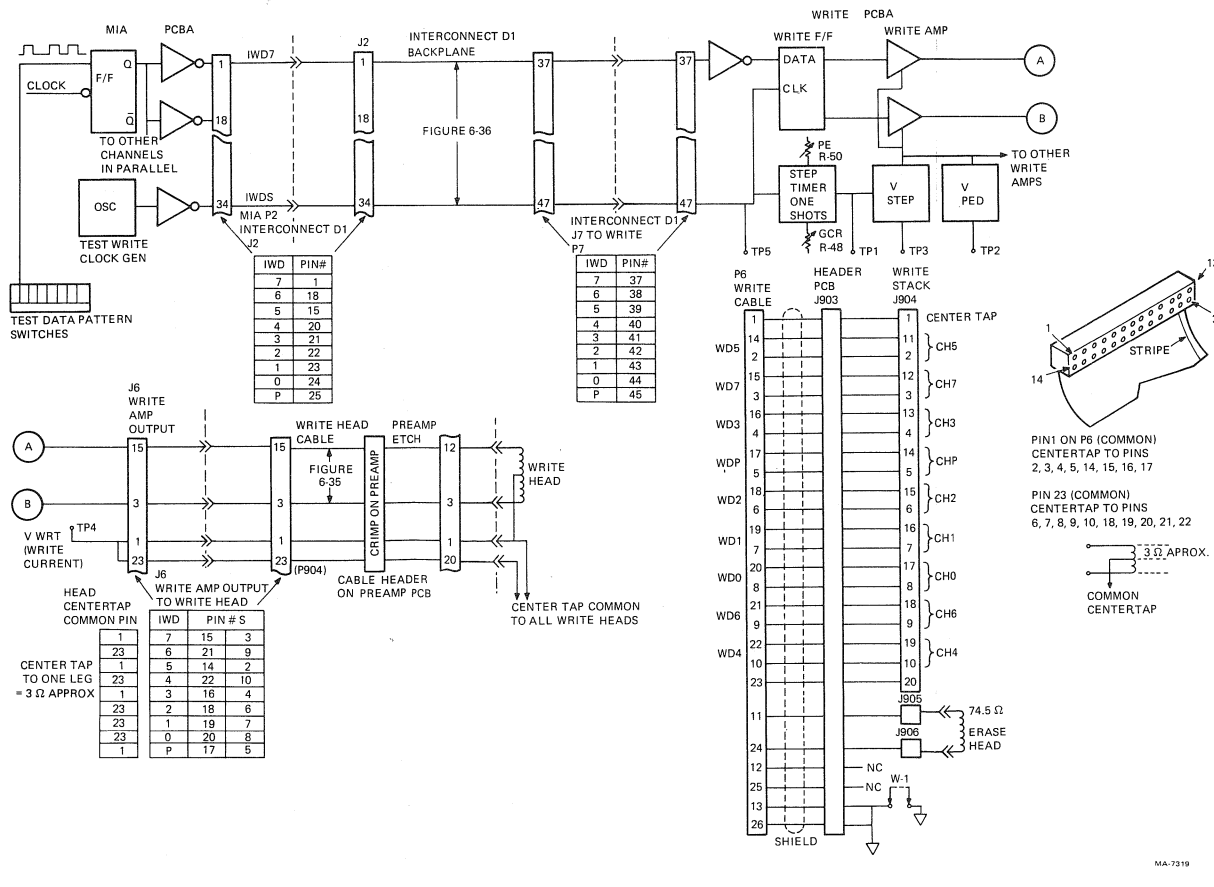
Figure B-18 Transfer Control Byte



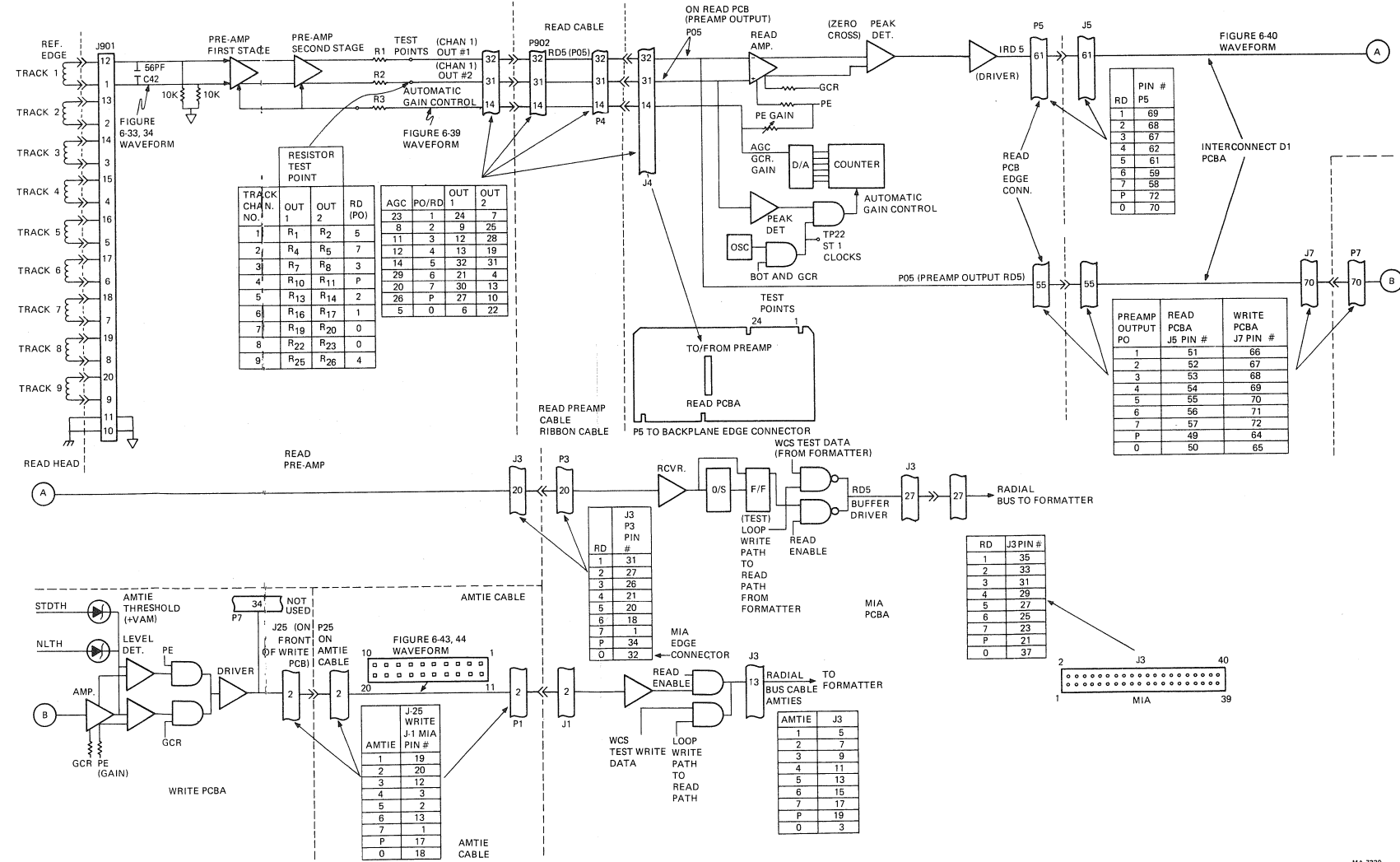


MA-7934

TU78 Subsystem Detailed Block Diagram



Write Path Troubleshooting Diagram



Read Path Troubleshooting Diagram