

"THE MATERIAL HEREIN IS FOR INFORMATION PURPOSES ONLY AND IS SUBJECT TO CHANGE WITHOUT NOTICE. DIGITAL EQUIPMENT CORPORATION ASSUMES NO RESPONSIBILITY FOR ANY ERRORS WHICH MAY APPEAR HEREIN."

FIELD MAINTENANCE PRINT SET

"THIS DRAWING AND SPECIFICATIONS, HEREIN, ARE THE PROPERTY OF DIGITAL EQUIPMENT CORPORATION AND SHALL NOT BE REPRODUCED OR COPIED OR USED IN WHOLE OR IN PART AS THE BASIS FOR THE MANUFACTURE OR SALE OF ITEMS WITHOUT WRITTEN PERMISSION. COPYRIGHT © 1980 DIGITAL EQUIPMENT CORPORATION."

TABLE OF CONTENTS

B-TC-H7104C-0-1	2.5V/85A POWER SUPPLY ASSY
B-DD-H7104C-D-0	H7104C 2.5V POWER SUPPLY ASSY
C-UA-H7104-C-0	2.5V/85A POWER SUPPLY ASSY
E-AD-7015857-0-0	OUTPUT PANEL ASSY, 2.5V
B-PL-7015857-0-0	OUTPUT PANEL ASSY, 2.5V
B-DD-5413396-0	+2.5V CONTROL BOARD
D-UA-5413396-0-0	+2.5V CONTROL BOARD
K-PL-5413396-0-DBP	+2.5V CONTROL BOARD
D-CS-5413396-0-1	H7104 2.5V CONTROL BD.
B-DD-5413414-0-1	+5VB BATTERY REGULATOR
D-UA-5413414-0-0	+/-5VB BATTERY REG.
K-PL-5413414-0-DBP	PLUS & MINUS 5VB BATTERY REG.
D-CS-5413414-0-1	PLUS & MINUS 5VB BATTERY REG.
B-DD-5412556-0	+12V REGULATOR
D-UA-5412556-0-0	+12V REGULATOR
D-CS-5412556-0-1	+12V REGULATOR
K-PL-5412556-0-DBP	+12V REGULATOR (PARTS LIST)
C-IA-7018513-0-0	BATTERY PWR DIST HARNESS
K-PL-7018513-0-DBP	BATTERY PWR DIST HARNESS
D-IA-7016514-0-0	STATUS CABLE ASSY
C-IA-7016910-0-0	2.5V SENSE HARNESS ASSY
B-PL-7016910-0-0	2.5V SENSE HARNESS
B-DD-5412550-0	MOTHER BD (H7100)
E-UA-5412550-0-0	MOTHER BD (H7100)
K-PL-5412550-0-DBP	MOTHER BD (H7100)
D-CS-5412550-0-1	MOTHER BD (H7100)
D-IA-7421094-0-0	PANEL TOP 2.5V
D-IA-7016150-0-0	TRANSFORMER ASSY 2.5V
C-IA-7014417-0-0	CHOKE REWORK
D-IA-7016158-0-0	2.5V CONT BD SIG HAR
B-PL-7016158-0-0	2.5V CONT BD SIG HAR
B-DD-5413658-0	SNUBBER CARD
D-UA-5413658-0-0	SNUBBER CARD
B-CS-5413658-0-1	SNUBBER CARD
K-PL-5413658-0-DBP	SNUBBER CARD
B-DD-5413559-0	OVERVOLTAGE CARD
D-UA-5413559-0-0	OVERVOLTAGE CARD
B-CS-5413559-0-1	OVERVOLTAGE CARD
K-PL-5413559-0-DBP	OVERVOLTAGE CARD

UNIT VARIATIONS COVERED BY THIS PRINT SET
H7104-C

**Field Maintenance
Print Set**
 MP01020
**Digital Equipment
Corporation**
 H7104-C

//R REVISIONS	REV	B	USED ON OPTION/MODEL	DRN.	A. Mowry	DATE	7/7/80	TITLE: H7104-C 2.5 VOLT POWER SUPPLY <div style="border: 1px solid black; padding: 2px; display: inline-block;">digital</div>	SIZE	CODE	NUMBER	REV.
	CHG. NO.	H7104-TWI		CHK'D.	J. Sullivan	DATE	8/28/80		B	TC	H7104-C-1	B
	DATE	11-82		PROJ. ENG.	K. Knowles	DATE	8/28/80		DIST.			
				FIELD SERV.	L. White	DATE	3/19/81					
			SHEET 1 OF 2									

B TC H7104-C-0-1
 NUMBER
 REV.
 B

"THE MATERIAL HEREIN IS FOR INFORMATION PURPOSES ONLY AND IS SUBJECT TO CHANGE WITHOUT NOTICE. DIGITAL EQUIPMENT CORPORATION ASSUMES NO RESPONSIBILITY FOR ANY ERRORS WHICH MAY APPEAR HEREIN."

FIELD MAINTENANCE PRINT SET

"THIS DRAWING AND SPECIFICATIONS, HEREIN, ARE THE PROPERTY OF DIGITAL EQUIPMENT CORPORATION AND SHALL NOT BE REPRODUCED OR COPIED OR USED IN WHOLE OR IN PART AS THE BASIS FOR THE MANUFACTURE OR SALE OF ITEMS WITHOUT WRITTEN PERMISSION. COPYRIGHT © 1982 DIGITAL EQUIPMENT CORPORATION."

TABLE OF CONTENTS

D-AD-7018512-0-0	BOTTOM PANEL ASSY
K-PL-7018512-0-DBP	BOTTOM PANEL ASSY
D-AD-7018511-0-0	CONNECTOR BRKT ASSY
K-PL-7018511-0-DBP	CONNECTOR BRKT ASSY

UNIT VARIATIONS COVERED BY THIS PRINT SET

H7104-C

Field Maintenance Print Set

MP01020

Digital Equipment Corporation

H7104-C

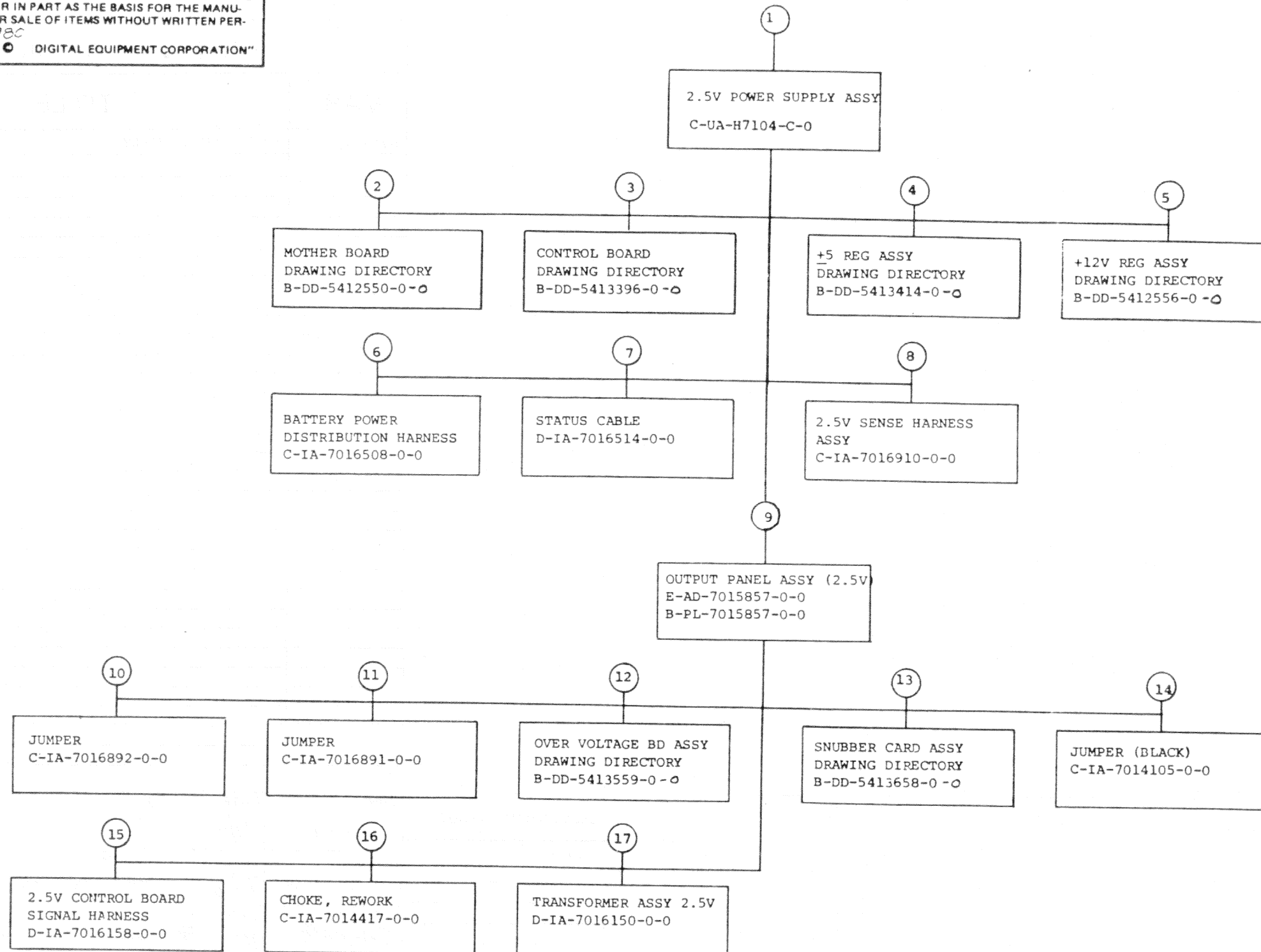
REVISIONS	REV	USED ON OPTION/MODEL	DRN.	DATE	TITLE:	SIZE	CODE	NUMBER	REV.
	CHG. NO.		A. Mowry	7-7-80					
DATE			PROJ. ENG.	DATE	2.5 VOLT POWER SUPPLY	DIST.			
			K. Knowles	8-28-80					
			FIELD SERV.	DATE					
			G. White	3-19-81					
		SHEET 2 OF 2							

DRB 124

REV. B
NUMBER H7104-C-1
SIZE B TC

"THIS DRAWING AND SPECIFICATIONS, HEREIN, ARE THE PROPERTY OF DIGITAL EQUIPMENT CORPORATION AND SHALL NOT BE REPRODUCED OR COPIED OR USED IN WHOLE OR IN PART AS THE BASIS FOR THE MANUFACTURE OR SALE OF ITEMS WITHOUT WRITTEN PERMISSION. 1980
 COPYRIGHT © DIGITAL EQUIPMENT CORPORATION"

REV. B
 NUMBER H7104-C-0
 SIZE CODE DD B

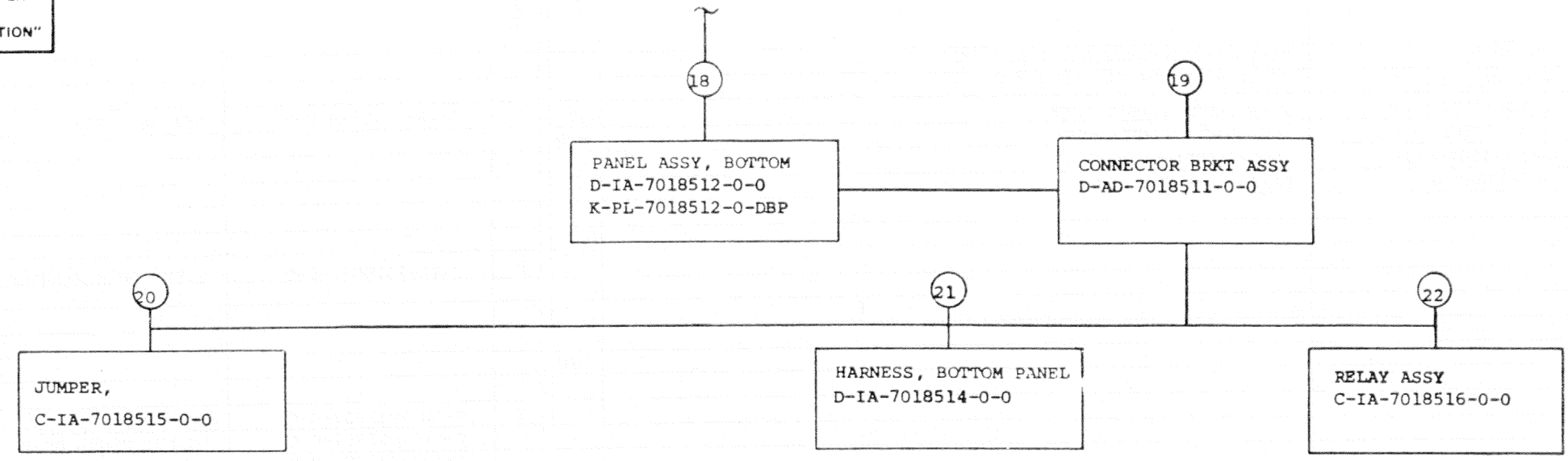


CONTINUED ON SHEET 3

TITLE H7104-C 2.5V POWER SUPPLY ASSY	SHEET 2 OF 5	SIZE CODE B DD	NUMBER H7104-C-0	REV B
---	--------------	-------------------	---------------------	----------

"THIS DRAWING AND SPECIFICATIONS, HEREIN, ARE THE PROPERTY OF DIGITAL EQUIPMENT CORPORATION AND SHALL NOT BE REPRODUCED OR COPIED OR USED IN WHOLE OR IN PART AS THE BASIS FOR THE MANUFACTURE OR SALE OF ITEMS WITHOUT WRITTEN PERMISSION. © DIGITAL EQUIPMENT CORPORATION"

SHEET 3



TITLE	SHEET 3 OF 5	SIZE CODE	NUMBER	REV
H7104-C 2.5V POWER SUPPLY ASSY		B DD	H7104-C-0	B

FIND NO.	DRAWING NO.	DESCRIPTION	TYPE	FIND NO.	DRAWING NO.	DESCRIPTION	TYPE
1	MP01020	FIELD MAINTENANCE PRINT SET (MP)	-				
	B-TC-H7104-C-1	FIELD MAINTENANCE PRINT SET (TC)	-				
	E-AD-H7104-C-C	2.5V POWER SUPPLY ASSY	E/M	7	D-IA-7016514-0-0	STATUS CABLE	M
	E-AD-7016157-0-0	2.5 POWER SUPPLY ASSY	E/M				
	D-MD-7420746-C-0	COVER (TOP)	M				
	3618536-0-0	LABEL SELF STICKING	M				
				8	C-IA-7016910-0-0	2.5V SENSE HARNESS ASSY	M
			E/M				
				9	E-AD-7015857-0-0	OUTPUT PANEL ASSY (2.5V)	E/M
					B-PL-7015857-0-0	OUTPUT PANEL ASSY (2.5) (P/L)	E/M
					D-IA-7421094-0-0	PANEL TOP 2.5V	M
					3612680-00	DECAL, GND SYMBOL	M
2	B-DD-5412550-0-0	MOTHER BOARD DRAWING DIRECTORY	E/M				
				10	C-IA-7016892-0-0	JUMPER	M
3	B-DD-5413396-0-0	CONTROL BOARD DRAWING DIRECTORY	E/M				
				11	C-IA-7016891-0-0	JUMPER	M
4	B-DD-5413414-0-0	+5 REG ASSY DRAWING DIRECTORY	E/M				
				12	B-DD-5413559-0-0	OVER VOLTAGE RD ASSY DRAWING DIRECTORY	E/M
5	B-DD-5412556-0-0	+12V REG ASSY DRAWING DIRECTORY	E/M				
			M				
6	C-IA-7018513-0-0	BATTERY PWR DISTRIBUTION HARNESS	M	13	B-DD-5413658-0-0	SNUBBER CARD ASSY DRAWING DIRECTORY	E/M

TYPE: E ELECTRICAL
M MECHANICAL
E/M ELECTRO/MECHANICAL

DRB 108A

digital

TITLE
H7104-C 2.5V POWER SUPPLY ASSY

SHEET 4 OF 5

SIZE CODE
B DD

NUMBER
H7104-C-0

REV
B

TW

FIND NO.	DRAWING NO.	DESCRIPTION	TYPE	FIND NO.	DRAWING NO.	DESCRIPTION	TYPE
14	C-IA-7014105-0-0	JUMPER (BLACK)	M	22	C-IA-7018516-0-0	RELAY ASSY	E/M
15	D-IA-7016158-0-0	2.5C CONT. BOARD SIGNAL HARNESS	M				
16	C-IA-7014417-0-0	CHOKE, REWORK	E				
17	D-IA-7016150-0-0	TRANSFORMER ASSY 2.5V	E				
18	D-AD-7018512-0-0	PANEL ASSY, BOTTOM	M				
	K-PL-7018512-0-DBP	PANEL ASSY, BOTTOM (P/L)	M				
	D-IA-7425496-0-0	PANEL, BOTTOM	M				
	C-IA-7418370-0-0	RETAINER, CAPACITOR	M				
	3616590-00	LABEL, HIGH VOLTAGE	M				
19	D-IA-7018511-0-0	CONNECTOR BRKT ASSY	M				
20	C-IA-7018515-0-0	JUMPER	M				
21	D-IA-7018514-0-0	HARNESS BOTTOM PANEL	E				

TYPE: E ELECTRICAL
M MECHANICAL
E/M ELECTRO/MECHANICAL

digital

TITLE H7104-C 2.5V POWER SUPPLY ASSY

SHEET 5 OF 5

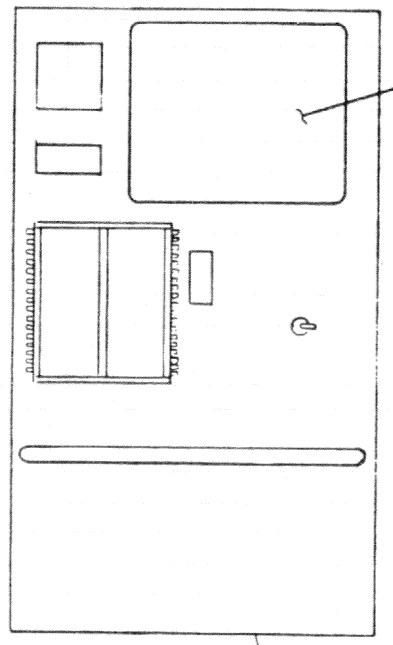
SIZE CODE
B DD

NUMBER
H7104-C -0

REV
B

THIS DRAWING AND SPECIFICATIONS HEREIN ARE THE PROPERTY OF DIGITAL EQUIPMENT CORPORATION AND SHALL NOT BE REPRODUCED OR COPIED OR USED IN WHOLE OR IN PART AS THE BASIS FOR THE MANUFACTURE OR SALE OF ITEMS WITHOUT WRITTEN PERMISSION. COPYRIGHT © 1980 DIGITAL EQUIPMENT CORPORATION

NOTES:
1. APPLY LABEL (ITEM 2) APPROXIMATELY WHERE SHOWN.



2
SEE NOTE 1

DATE	ECO NUMBER	REV.
MAR 1981	H7104-TW001	B
K. KNOWLES		
12/12/80		

DRC 1000

1	LABEL SELF STICKING	3618536-01	2
1	2.5V POWER SUPPLY ASSY	E-AD-7016157-0-7016157-01	1

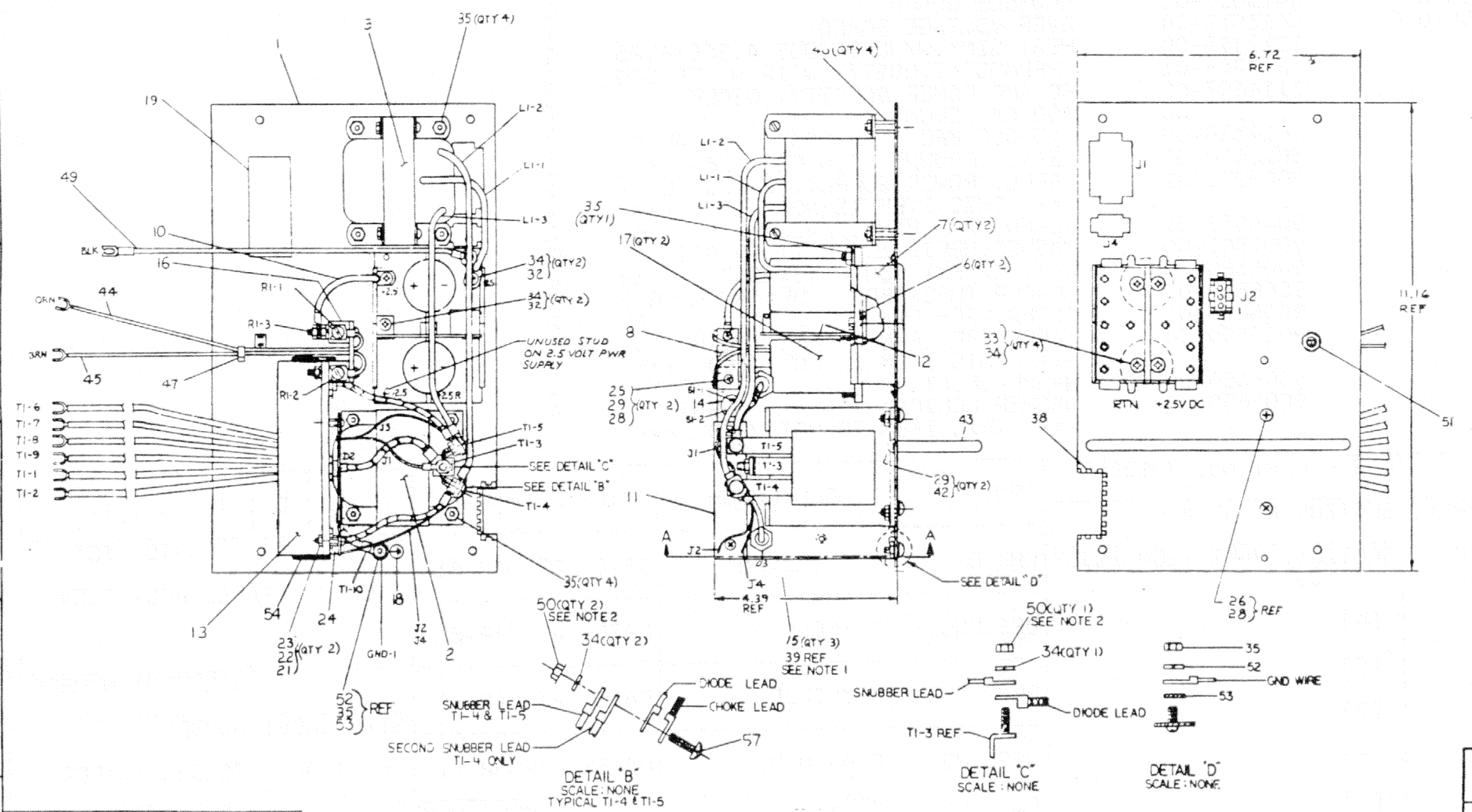
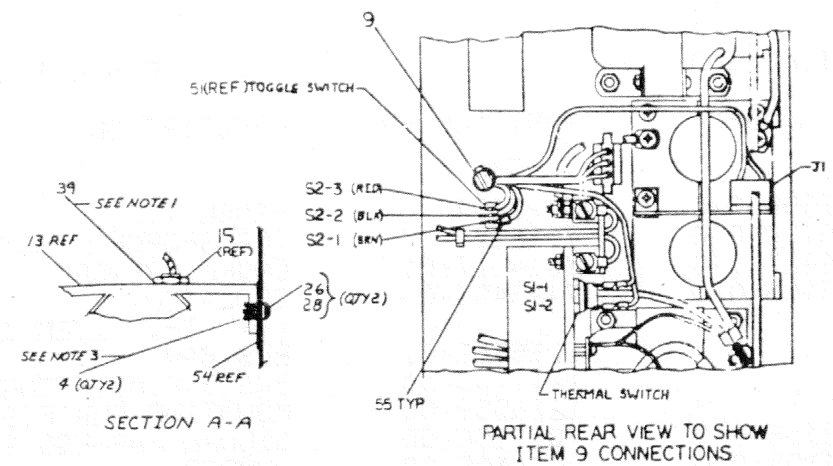
DESCRIPTION	DRAWING NO.	PART NO.	ITEM NO.				
UNLESS OTHERWISE SPECIFIED DIMENSIONS ARE IN INCHES AND THE FOLLOWING TOLERANCES APPLY (PER DEC STD 114)							
INCHES TOLERANCES	ANGLES ± OF 30°	APPLICABLE DIMENSION RANGE (CHECK ONE)	DIMENSIONS RANGE IN INCHES				
			OVER 6 TO 8.2	OVER 8.2 TO 1.2	OVER 1.2 TO 4.8	OVER 4.8 TO 12.8	OVER 12.8 TO 48.8
XX = ± .02	SURFACE QUALITY	MICROINCHES	± .02	± .05	± .05	± .10	± .10
XXX = ± .035			± .05	± .05	± .05	± .05	± .05

THIRD ANGLE PROJECTION	DATE 7-23-80	TITLE H7104-C digital
DO NOT SCALE DRAWING	DATE 10/1/80	2.5V POWER SUPPLY ASSY
REMOVE BURRS AND BREAK SHARP CORNERS	DATE 3/11/81	
MATERIAL SEE PARTS LIST	DATE 7/29/80	
FINISH #	DATE 3/19/81	
	DOCUMENT NUMBER CUAH7104-C-0	
	B-DD-H7104-C-0	
	SCALE NONE	

TW 1

WIRE TABLE										
ITEM NO	DESCRIPTION	AWG	COLOR	POINT	CONNECTION	FROM	POINT	CONNECTION	TO	PRECUT LENGTH
2				TI-3			D2			
				TI-4			D3			
				TI-5			D1			
14	GRN WEL			TI-10			GND-1			
8	BLK			LI-1			+2.5R			
8	BLK			LI-2			TI-4			
8	BLK			LI-3			TI-5			
8	BLK			RI-3			+2.5			
22	RED					J1	T-3			
22	RED					J2	T-4			
22	RED					J1	T-5			
11	RED					J4	T-4			
	RED						S2-3		55	
12	BLK						S2-2		55	
	BRN						S2-1		55	
18	WHT						SI-2			
18	GRN						SI-1			

NOTES:
 1. DIODES (ITEM 15) MUST SEAT FLUSH ON HEAT SINK. USE THERMAL GREASE (ITEM 31) BETWEEN DIODES AND HEAT SINK. TORQUE 25 IN-LBS MIN. FILL DIODE SEATS.
 2. TORQUE (ITEM 50) TO 20 INCH-LBS.
 3. ASSEMBLE ITEM 4 (ISOLATOR) & PLACE ITEM 13 (HEAT SINK) PRIOR TO FINAL ASSEMBLY OF HEAT SINK TO PANEL.



CAUTION: OFF SHEET PARTS LIST
 SEE K-PL-7015357-0-DE

REV	DATE	DESCRIPTION
1	11/15/50	INITIAL DESIGN
2	11/15/50	REVISED TO ADD PARTS LIST
3	11/15/50	REVISED TO ADD DIMENSIONS
4	11/15/50	REVISED TO ADD TOLERANCES
5	11/15/50	REVISED TO ADD FINISHES
6	11/15/50	REVISED TO ADD MATERIALS
7	11/15/50	REVISED TO ADD WEIGHTS
8	11/15/50	REVISED TO ADD TEST PROCEDURES
9	11/15/50	REVISED TO ADD INSPECTION PROCEDURES
10	11/15/50	REVISED TO ADD PACKAGING

DESCRIPTION	QTY	UNIT	REMARKS
DIODE	3		
RESISTOR	10		
CAPACITOR	2		
TRANSISTOR	10		
WIRE	100		
ISOLATOR	1		
HEAT SINK	1		
THERMAL SWITCH	1		
TOGGLE SWITCH	1		
ISOLATOR	1		
HEAT SINK	1		
THERMAL SWITCH	1		
TOGGLE SWITCH	1		
ISOLATOR	1		
HEAT SINK	1		
THERMAL SWITCH	1		
TOGGLE SWITCH	1		

AUTOMATED BY PRTLST.4Q(50)

PARTS LIST

SHEET A1 OF A2

LINE	ITEM	DOCUMENT NUMBER	PART NUMBER	DESCRIPTION	QUANTITY PER VARIATION
1	1	D-IA-7421094-0-0	7421094-00	PANEL TOP	1
2	2	D-IA-7016150-0-0	7016150-00	TRANSFORMER ASSY. 250 VOLT	1
3	3	C-IA-7014417-0-0	7014417-01	CHOKE, REWORK	1
4	4	C-MD-7425403-0-0	7425403-00	ISOLATOR	2
5	5	BLANK		*** THIS ITEM IS NOT USED ***	-
6	6		1216852-01	BUS BAR	2
7	7		1217703-00	BUS BAR, MOUNTING BLOCK	2
8	8		1216559-00	MOUNTING PLATE, SHUNT	1
9	9	D-IA-7016158-0-0	7016158-00	SIGNAL HARNESS 2.5V CONTROL BD	1
10	10	C-IA-7014105-0-0	7014105-00	JUMPER	1
11	11	D-UA-5413658-0-0	5413658-00	SNUBBLE BOARD	1
12	12	D-UA-5413559-0-0	5413559-00	OVER VOLTAGE BOARD	1
13	13		1217473-00	HEAT SINK, W/JEDEC D05 4.500X4.25	1
14	14		1214259-01	THERMOSTAT, 0@177, C@212 W/.500STU	1
15	15		1114197-00	60 AMP POWER SCHOTTKY DIODE	3
16	16		1314174-00	100.0A SHUNT	1
17	17		1014338-00	15,000 MFD 7.5V 20% AL EL	2
18	18		3612680-00	DECAL, GROUND SIGN PER 3E6 *	1
19	19		9009255-01	LABEL, POWER SUPPLY, 2-7/8" LG X	1
20	20	BLANK		*** THIS ITEM IS NOT USED ***	-
21	21		9008037-01	SCREW, MACH PAN PHIL 6-	2
22	22		9007801-00	WASHER, HELICAL SPLIT SST	2
23	23		9006560-00	NUT, HEX EXT TOOTH LCKWSHR 6-32	2
24	24		9006842-00	SPACER, THREADED HEX ALUM 6-3	2
25	25		9006036-01	SCREW, MACH PAN PHIL 8-	2
26	26		9009800-08	SCREW, TAP PAN PHIL THD RL 8-	2
27	27	BLANK		*** THIS ITEM IS NOT USED ***	-
28	28		9006660-00	WASHER, FLAT SST	4
29	29		9006690-00	WASHER, HELICAL SPLIT SST	4
30	30	BLANK		*** THIS ITEM IS NOT USED ***	-

REVISION HISTORY			BASIC PART NO: 7015857		DRN: T.MCCULLOUGH		DATE: 23-MAR-81		D I G I T A L		
ENG	ECO NUMBER	REV	SECTION A OF A	CHK'D:	J.SULLIVAN	DATE:	23-MAR-81	TITLE PARTS LIST			
KK	INITIAL 7015857-TW004	D E	SECTION. VARIATION INDEX [A] 00	DES.ENG.:	K.KNOWLES	DATE:	23-MAR-81	OUTPUT PANEL ASSY 2.5V			
			[B]	RESP.ENG.:	K.KNOWLES	DATE:	23-MAR-81	DOCUMENT NUMBER			
			[C]	MFG.ENG.:	G.RAINAULT	DATE:	23-MAR-81	SIZE	CODE	NUMBER	REV
			[D]	ASSEMBLY NUMBER:	E-AD-7015857-0-0	TOP DOCUMENT NUMBER:		K	PL	7015857-0-DBP	E
			[E]							FILE NAME:	EDIT #
			[F]							Z2315E.PLS	5

"THIS DRAWING AND SPECIFICATIONS HEREIN, ARE THE PROPERTY OF DIGITAL EQUIPMENT CORPORATION AND SHALL NOT BE REPRODUCED OR COPIED OR USED IN WHOLE OR IN PART AS THE BASIS FOR THE MANUFACTURE OR SALE OF ITEMS WITHOUT WRITTEN PERMISSION. COPYRIGHT (C) 1983. DIGITAL EQUIPMENT CORPORATION"

LINE	ITEM	DOCUMENT NUMBER	PART NUMBER	DESCRIPTION	QUANTITY PER VARIATION
					00
31	31	BLANK		*** THIS ITEM IS NOT USED ***	-
32	32		9006070-01	SCREW,MACH PAN PHIL	10- 4
33	33		9006346-08	SCREW,CAP SOC HEX	10- 4
34	34		9007906-00	WASHER,HELICAL SPLIT STEEL	11
35	35		9006565-00	NUT,HEX EXT TOOTH LCKWSHR	10-32 11
36	36	BLANK		*** THIS ITEM IS NOT USED ***	-
37	37	BLANK		*** THIS ITEM IS NOT USED ***	-
38	38		9007036-00	GROMMET,CATERPILLAR POLYAMIDE	A/R
39	39		9008268-00	COMPOUND, THERMAL JOINT	A/R
40	40	BLANK		*** THIS ITEM IS NOT USED ***	-
41	41	BLANK		*** THIS ITEM IS NOT USED ***	-
42	42		9006037-01	SCREW,MACH PAN PHIL	8- 2
43	43		1214361-00	HANDLE,ALUMINUM, 6"X 1.5" X 1/4	1
44	44		7016891-02	JUMPERS,(A)	1
45	45		7016891-01	JUMPERS,(A)	1
46	46	BLANK		*** THIS ITEM IS NOT USED ***	-
47	47		9007031-00	TIE,CABLE BUNDL.DIA 0- 3/4"=101	1
48	48		9006829-00	SPACER,CLEAR HOLE HEX ALUM	10 4
49	49		7016892-00	JUMPERS,(B)	1
50	50		9009005-00	NUT,HEX 10-32X .246AF SS/N	3
51	51		1211180-01	SW,TOG 1PDT ON-OFF-ON 5A	1
52	52		9006664-00	WASHER,FLAT SST	1
53	53		9007651-00	WASHER,LOCK EXTERNAL STEEL	1
54	54		1213071-11	INSULATOR,RUBBER,THERMAL	1
55	55		9107829-00	TUBING,SHRINK .093ID EXP	A/R
56	56	BLANK		*** THIS ITEM IS NOT USED ***	-
57	57		9006073-01	SCREW,MACH PAN PHIL	10- 2

D	I	G	I	T	A	L	TITLE	SECTION A OF A	SIZE	CODE	DOCUMENT NUMBER	REV
							OUTPUT PANEL ASSY 2.5V		K	PL	7015857-0-DBP	E

REV. E NUMBER 54-13396-0 DD B SIZE CODE

DRAWING NO.	NO. OF SHTS.	PART NO.	DESCRIPTION	REVISIONS				
				B	C	D	E	
B-DD-5413396-0	1		+2.5V CONTROL BOARD	B	C	D	E	
D-UA-5413396-0-0	3		+2.5V CONTROL BOARD	B	C	D	E	
K-PL-5413396-0-DBP			+2.5V CONTROL BOARD	B	C	D	E	
D-CS-5413396-0-1	2		+2.5V CONTROL BOARD	B	C	D	E	
D-MD-5013395-0-0	4		DRILL & ETCH DWG	B	B	B	C	
		50-13395	ETCHED BOARD	C	C	C	D	
K-PC-5413396-0-DBC			P.C. DESIGN DATA BASE	C	C	C	D	
D-EC-5013395-0-0	2		ETCH CUT DWG	-	-	-	A	

NOTES:

REVISIONS		REV.
DATE	CHG NO.	
8-80	TW001	C
2-81	TW002	D
2-82	TW003	E

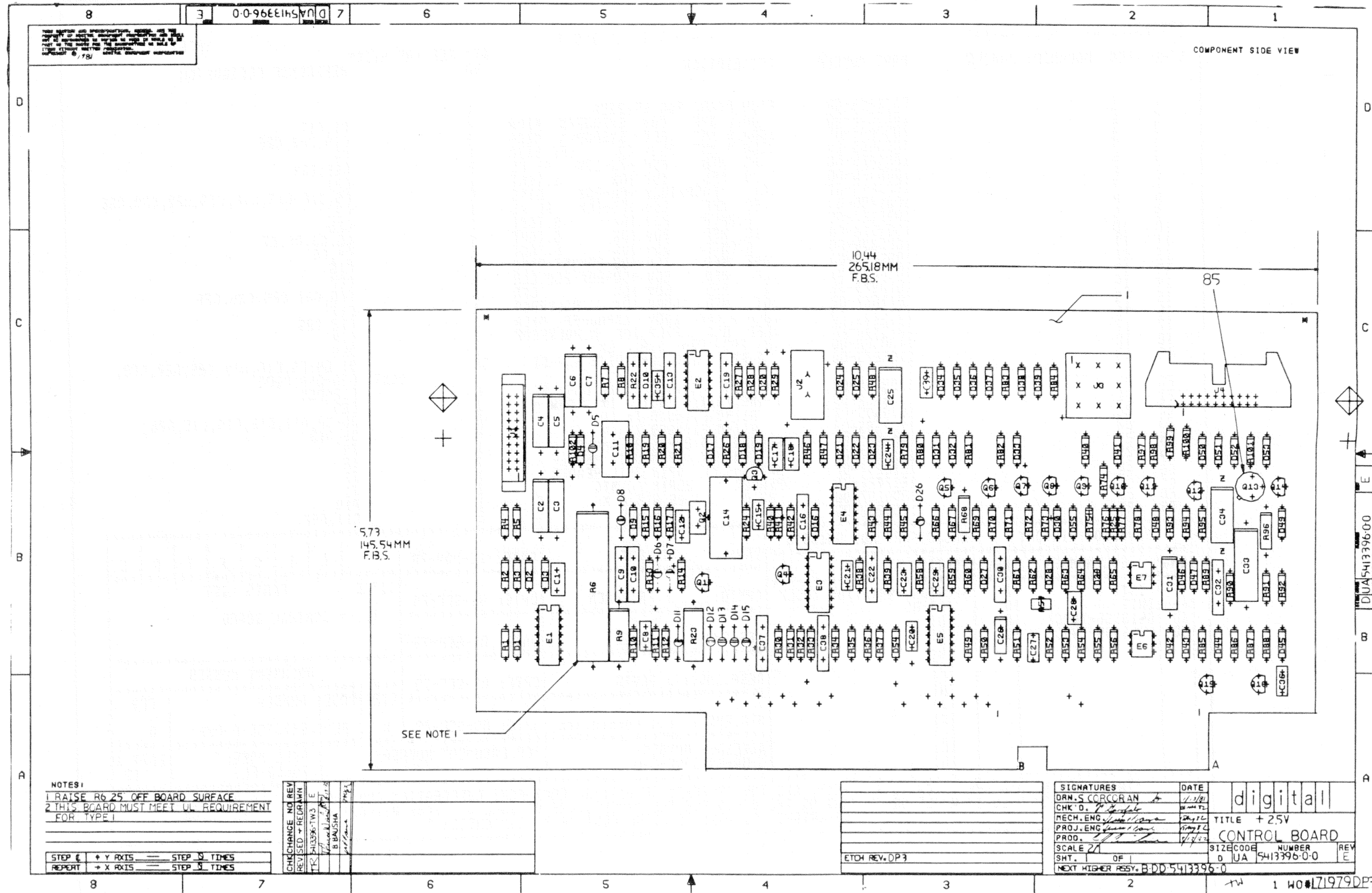
"THIS DRAWING AND SPECIFICATIONS, HEREIN, ARE THE PROPERTY OF DIGITAL EQUIPMENT CORPORATION AND SHALL NOT BE REPRODUCED OR COPIED OR USED IN WHOLE OR IN PART AS THE BASIS FOR THE MANUFACTURE OR SALE OF ITEMS WITHOUT WRITTEN PERMISSION.
 COPYRIGHT © 1978 DIGITAL EQUIPMENT CORPORATION



USED ON OPTION/MODEL	DRN. J. LENT	11-16-78	TITLE
H7104	CHK'D F. GAROFALO	11-16-78	+2.5V CONTROL BOARD
	ENG. <i>J. Alvarez</i>	9/24/79	SIZE CODE NUMBER REV.
	PROJ. <i>J. Constantino</i>	9/24/79	B DD 54-13396-0 E
			SHEET 1 OF 1

THIS DRAWING IS UNCLASSIFIED UNLESS INDICATED OTHERWISE. IT IS THE PROPERTY OF THE UNITED STATES GOVERNMENT AND IS LOANED TO YOU BY THE NATIONAL ARCHIVES AND IS NOT TO BE REPRODUCED OR TRANSMITTED IN ANY FORM OR BY ANY MEANS, ELECTRONIC OR MECHANICAL, INCLUDING PHOTOCOPYING, RECORDING, OR BY ANY INFORMATION STORAGE AND RETRIEVAL SYSTEM.

COMPONENT SIDE VIEW



5.73
145.54MM
F.B.S.

10.44
265.18MM
F.B.S.

NOTES:
1 RAISE R6 25 OFF BOARD SURFACE
2 THIS BOARD MUST MEET UL REQUIREMENT FOR TYPE I

STEP #	+ Y AXIS	STEP #	TIMES
REPEAT	+ X AXIS	STEP #	TIMES

CHG. NO.	REV.	DATE	BY
REVISED + REDRAWN			
TR 5413396-TW3	E		
B BAUSHA			

ETOH REV. DP3

SIGNATURES	DATE	digital
DRN. S. COCHRAN	1/2/81	
CHK'D. [Signature]	2/1/81	
MECH. ENG. [Signature]	2/2/81	TITLE + 25V
PROJ. ENG. [Signature]	2/2/81	CONTROL BOARD
PROD. [Signature]	2/2/81	SIZE CODE NUMBER
SCALE 2/1		D UA 5413396-0-0
SHT. 1 OF 1		REV E
NEXT HIGHER ASSY. B-DD 5413396-0		

AUTOMATED BY PRTLST.2E(3)

PARTS LIST

SHEET A1 OF A3

LINE	ITEM	DOCUMENT NUMBER	PART NUMBER	DESCRIPTION	QTY	PER VARIATION	REFERENCE DESIGNATOR
					00		
1	1		5013395-00	ETCH BOARD FOR 5413396	1		
2	2		1000016-00	100.0 MMF 100V 5X200PPM MICA	2		C1, C17
3	3		1000042-00	1000.0 MMF 100V 5X200PPM MICA	3		C18, C23, C28
4	4		1000055-00	2200.0 MMF 250V 20% Y5S DISC	1		C8
5	5		1000075-00	25 MFD 25V +75-10% AL EL	2		C25, C34
6	6		1000076-00	39 MFD 10V 10% S.TANT	1		C31
7	7		1001610-01	.01 MFD50/100V +80-20% DISC	8		C9, C10, C13, C16, C19, C22, C30, C32
8	8		1001796-00	50 MFD 25V +75-10% AL EL	1		C33
9	9		1002627-00	2.2MFD 20V 10% S.TANT	1		C26
10	10		1004813-00	10 MFD 20V 10% S.TANT	4		C2, C3, C6, C7
11	11		1005306-00	6.8MFD 35V 10% S.TANT	2		C4, C5
12	12		1009678-00	.047 MFD 16V +80-20%YST DISC	1		C15
13	13		1010274-01	.22 MFD 50V +80-20% Z5U CER	1		C27
14	14		1010978-36	.1 MFD 50V 10% CER	5		C20, C21, C24, C35, C36
15	15		1011847-02	.01 MFD 600V 10% POLYPROP	1		C11
16	16		1014169-00	1000.0 MMF 100V 1X200PPM MICA	2		C12, C29
17	17		1014430-00	.022 MFD 270V 10% M.POLYPROP	1		C14
18	18		1100122-00	1N 748A VZ= 3.9 5X	1		D49
19	19		1105275-00	D 672 TR= 15NS PIV= 60V SI	38		D1-D4, D9, D10, D16-D25, D27, D28, D30-D48, D100
20	20		1105796-00	1N 4004 PIV=400 I= 1A D041 SP	5	CONT	D50-D54
21	21		1105871-00	1/4MS.1A2I = 5.1 1X .25W N	1		D29
22	22		1112595-01	A114B PIV=200 I= 1A	8		D6-D8, D11, D12, D14, D15, D26
23	23		1112595-02	A:14M PIV=600 I= 1A	2		D5, D13
24	24		1209941-06	HEADER.100 20POS RT ANGLE	1		J4
25	25		1212297-00	MATE-N-LOK 2PIN UNIV HEADER	1		J2
26	26		1212297-02	MATE-N-LOK 9PIN UNIV HEADER	1		J3
27	27		1217727-00	HEADER 20PIN PC MTG	1		J1
28	28		1300197-00	33.0 .25 W 5.0 X CC	1		R14
29	29		1300202-00	47.0 .25 W 5.0 X CC	2		R11, R42

REVISION HISTORY		BASIC PART NO: 5413396		DRN: J. LENT	DATE: 15-NOV-78	DIGITAL	
ENG:	ECO NUMBER	REV	SECTION A OF A	CHK'D: K. FRIEDGEN	DATE: 09-SEP-79	PARTS LIST	
	INIT	C	SECTION VARIATION INDEX	DES. ENG: J. DAVIS	DATE: 09-SEP-79	TITLE	
	INIT	B	[A] 00	RESP. ENG.: J. DAVIS	DATE: 09-SEP-79	PARTS LIST	
JD	5413396-TW001	C	[B]	MFG. ENG.: C. J. CONSTATINE	DATE: 09-SEP-79	K	PL
JD	5413396-TW002	D	[C]	ASSEMBLY NUMBER:	TOP DOCUMENT NUMBER:	5413396-0-DBP	D
			[D]	D-UA-5413396-0-0		FILE NAME:	EDIT #
			[E]			20653.PLS	13
			[F]				
			[G]				
			[H]				
			[I]				
			[J]				
			[K]				
			[L]				
			[M]				
			[N]				

"THIS DRAWING AND SPECIFICATIONS HEREIN, ARE THE PROPERTY OF DIGITAL EQUIPMENT CORPORATION AND SHALL NOT BE REPRODUCED OR COPIED OR USED IN WHOLE OR IN PART AS THE BASIS FOR THE MANUFACTURE OR SALE OF ITEMS WITHOUT WRITTEN PERMISSION. COPYRIGHT (C) 1981. DIGITAL EQUIPMENT CORPORATION"

LINE	ITEM	DOCUMENT NUMBER	PART NUMBER	DESCRIPTION	QTY	PER VARIATION	REFERENCE DESIGNATOR
					00		
30	30		1300287-00	270.0 1.0 W 10.0 %	1	CC	R23
31	31		1300309-00	390.0 .25 W 5.0 %	4	CC	R48, R81, R82, R98
32	32		1300315-00	470.0 .50 W 5.0 %	1	CC	R96
33	33		1300316-00	470.0 .25 W 5.0 %	2	CC	R93, R200
34	34		1300347-00	680.0 .50 W 5.0 %	1	CC	R68
35	35		1300365-00	1.0 K .25 W 5.0 %	12	CC	R1, R15, R22, R46, R50, R65, R67, R70, R72, R73, R76, R77
						CONT	
36	36		1300391-00	1.50 K .25 W 5.0 %	1	CC	R90
37	37		1300426-00	2.70 K .25 W 5.0 %	1	CC	R38
38	38		1300432-00	3.0 K .25 W 5.0 %	1	CC	R24
39	39		1300439-00	3.30 K .25 W 5.0 %	3	CC	R28, R40, R95
40	40		1300447-00	4.70 K .25 W 5.0 %	9	CC	R10, R13, R27, R29, R39, R63, R69, R85, R202
						CONT	
41	41		1300479-00	10.0 K .25 W 5.0 %	15	CC	R2, R3, R21, R41, R59, R60, R62, R71, R75, R78, R83, R84, R86, R89, R92
						CONT	
42	42		1300496-00	15.0 K .25 W 5.0 %	2	CC	R51, R61
43	43		1301423-00	6.80 K .25 W 5.0 %	1	CC	R94
44	44		1310597-00	100.0 10.0 W 5.0 %	1	WM	R6
45	45		1301522-00	27.0 .25 W 5.0 %	1	CC	R88
46	46		1301838-00	120.0 1.0 W 5.0 %	1	CC	R9
47	47		1302377-00	39.0 .25 W 5.0 %	1	CC	R12
48	48		1302388-00	2.0 K .25 W 5.0 %	3	CC	R91, R97, R201
49	49		1302391-00	20.0 K .25 W 5.0 %	1	CC	R66
50	50		1302395-00	56.0 K .25 W 5.0 %	1	CC	R87
51	51		1302396-00	150.0 K .25 W 5.0 %	1	CC	R4
52	52		1302398-00	470.0 K .25 W 5.0 %	2	CC	R31, R47
53	53		1302466-00	100.0 K .25 W 5.0 %	2	CC	R26, R79
54	54		1302941-00	14.70 K .25 W 1.0 %	1	CC	R17
55	55		1303044-00	100.0 K .25 W 1.0 %	1	RN55D-F10	R53
56	56		1303067-00	422.0 .25 W 1.0 %	1	RN55D-F10	R64
57	57		1303114-00	1.0 K .25 W 1.0 %	6	RN55D-F10	R34, R35, R36, R37, R80, R49
58	58		1303205-00	7.20 K .25 W .10 %	1	RN55E-B 2	R56
59	59		1304839-00	51.0 K .25 W 5.0 %	2	CC	R8, R58
60	60		1304841-00	75.0 K .25 W 5.0 %	2	CC	R5, R7
61	61		1305124-00	287.0 .25 W 1.0 %	1	RN55D-F10	R33
62	62		1305145-00	2.80 K .25 W 1.0 %	2	RN55D-F10	R43, R45
63	63		1305252-00	68.10 K .25 W 1.0 %	2	RN55D-F10	R54, R55
64	64		1305355-00	7.0 K .25 W .10 %	1	RN55C-B 5	R52
65	65		1305890-00	4.70 .25 W 5.0 %	1	CC	R101
66	66		1309417-00	27.40 K .25 W 1.0 %	1	RN55D-F10	R19
67	67		1313596-00	20.0 K .25 W 1.0 %	1	RN55D-F10	R20
68	68		9107256-11	TUBING, THIN WALL, .027ID	A/R	UL	
69	69		1312923-00	2.10 K .25 W 1.0 %	1	RN55D-F10	R44
70	70		1312926-00	324.0 K .25 W 1.0 %	2	RN55D-F10	R18, R32
71	71		1313153-00	28.0 K .25 W 1.0 %	1	RN55D-F10	R16
72	72		9105740-55	WIRE (WRAP) 30AWG	A/R	UL1423	
73	73		1315859-00	200.0 K 10.0 %	1	NTC THERM	R57
74	74		1510705-00	XA 05 NPN 500MW SI 60 50 P	7		Q1, Q4, Q11, Q12, Q14, Q15, Q16

D	I	G	I	T	A	L	TITLE	SECTION A OF A	SIZE	CODE	DOCUMENT NUMBER	REV
							+2.5V CONTROL BOARD		K	PL	5413396-0-DBP	0

AUTOMATED BY PRTLST.2E(3)

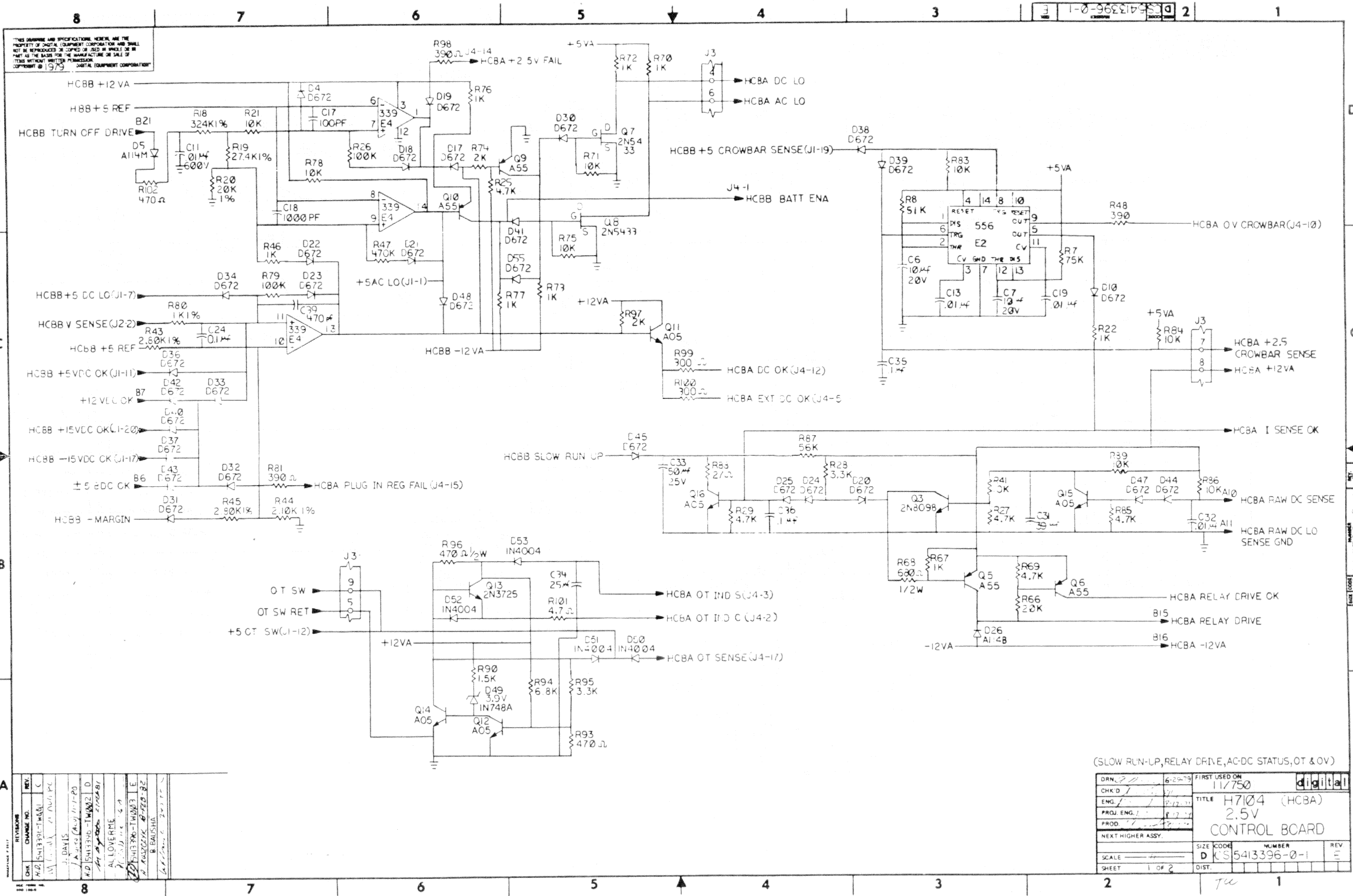
PARTS LIST

SHEET A3 OF A3

LINE	ITEM	DOCUMENT NUMBER	PART NUMBER	DESCRIPTION	QTY PER VARIATION 00	REFERENCE DESIGNATOR
75	75		1510706-00	XA 55 PNP 500MW SI 60 50 P	4	Q5, Q6, Q9, Q10
76	76		1510959-00	2N 3725 NPN 3.5WC SI 50 60 P	1	Q13
77	77		1511686-00	DEC5433 FET N 350MW 10 25 1A	2	Q7, Q8
78	78		1512212-00	DEC8098 NPN 350MW SI 60 50	1	Q3
79	79		1514271-01	D 4405 NPN 31W SI225 30	1	Q2
80	80		1912107-00	324 OP AMP, QUAD	1	E5
81	81		1912108-00	339 VOLT CAPTR, QUAD	1	E4
82	82		1914194-00	OPTP-COUPLED ISOLATOR	2	E6, E7
83	83		1914392-00	556 TIMER-DUAL	3	E1-E3
84	84		9009185-00	JUMPER WIRE, INSULATED, BLACK B	1	W1
85	85		9007201-00	TRANSIPADS #10253	1	
86	86		1001610-00	.01 MFD 50V +80-20% 25U CER	2	C44, C45
87	87		1314549-00	1.15 K .25 W 1.0 % RN55D-F10	1	R30
88	88		1000024-00	470.0 MMF 100V 5%200PPM MICA	1	C46
89	89		1301425-00	300.0 .25 W 5.0 % CC	2	R99, R100

90 NOTE: ITEM NUMBER 68, 1' USED.
 91 NOTE: ITEM NUMBER 72, 6" USED

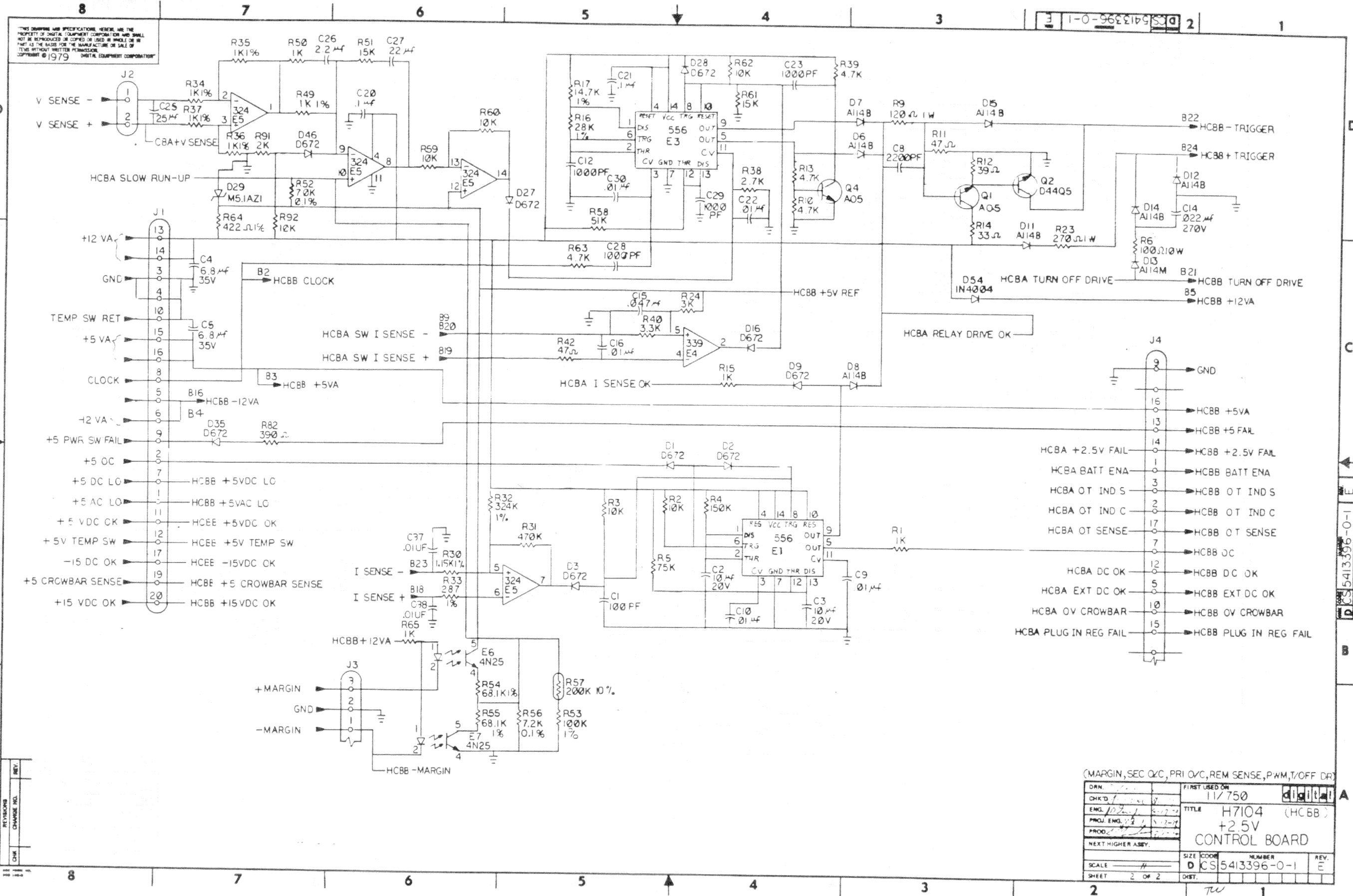
D	I	G	I	T	A	L	TITLE	SECTION A OF A	SIZE	CODE	DOCUMENT NUMBER	REV
							+2.5V CONTROL BOARD		K	PL	5413396-0-DBP	D



THIS DRAWING AND SPECIFICATIONS HEREON ARE THE PROPERTY OF DIGITAL EQUIPMENT CORPORATION AND SHALL NOT BE REPRODUCED OR COPIED OR USED IN WHOLE OR IN PART AS THE BASIS FOR THE MANUFACTURE OR SALE OF ITEMS WITHOUT WRITTEN PERMISSION OF DIGITAL EQUIPMENT CORPORATION.

REV.	REV.	DATE	BY	CHKD.
1	1	11/75	J. DAVIS	H.P.
2	1	11/75	J. DAVIS	H.P.
3	1	11/75	J. DAVIS	H.P.
4	1	11/75	J. DAVIS	H.P.
5	1	11/75	J. DAVIS	H.P.
6	1	11/75	J. DAVIS	H.P.
7	1	11/75	J. DAVIS	H.P.
8	1	11/75	J. DAVIS	H.P.

DRN. 6-2-79	FIRST USED ON 11/75	digital
CHK'D. 11/75	TITLE H7104 (HCBA)	
ENG. 11/75	2.5V	CONTROL BOARD
PROJ. ENG. 11/75		
PROD. 11/75		
NEXT HIGHER ASSY.	SIZE CODE D	NUMBER K/S 5413396-0-1
SCALE 1 OF 2	DIST.	REV. 1



(MARGIN, SEC OVC, PRI OVC, REM SENSE, PWM, T/OFF DR)

DATE	FIRST USED ON
CHK'D	11/750
ENG.	TITLE H7104 (HCBB)
PROJ. ENG.	+2.5V
PROD.	CONTROL BOARD
NEXT HIGHER ASSEMBLY	
SCALE	SIZE CODE NUMBER REV.
SHEET 2 OF 2	D CS 5413396-0-1 E

DRAWING NO.	NO. OF SHTS.	PART NO.	DESCRIPTION	REVISIONS																									
				A	B	C	D	E	F	G	H	I	J	K	L	M	N	O	P	Q	R	S	T	U	V	W	X	Y	Z
D-UA-5413414-0-0	4		+5VB BATTERY REGULATOR	A	B	C	D	E																					
K-PL-5413414-0-DBP	-		PARTS LIST DATA BASE	A	B	C	D	E	F																				
D-CS-5413414-0-1	1		+5VB BATTERY REGULATOR	A	B	C	D	E	F																				
D-MD-5013413-0-0	4		+5VB BATTERY REGULATOR	A	A	A	A	A	A																				
		5013413	ETCHED CIRCUIT BOARD	B	B	B	B	B	B																				
K-PG-5413414-0-DBG			P.C. DESIGN DATA BASE REF	B	B	B	B	B	B																				

NOTES:

THIS DRAWING AND SPECIFICATIONS, HEREIN, ARE THE PROPERTY OF DIGITAL EQUIPMENT CORPORATION AND SHALL NOT BE REPRODUCED OR COPIED OR USED IN WHOLE OR IN PART AS THE BASIS FOR THE MANUFACTURE OR SALE OF ITEMS WITHOUT WRITTEN PERMISSION

DATE	CHG NO.	REV.	REVISIONS																									
			A	B	C	D	E	F	G	H	I	J	K	L	M	N	O	P	Q	R	S	T	U	V	W	X	Y	Z
7-2	TW001	B																										
1-82	TW002	C																										
3-82	TW003	D																										
6-82	TW004	E																										
9-83	TW005	F																										

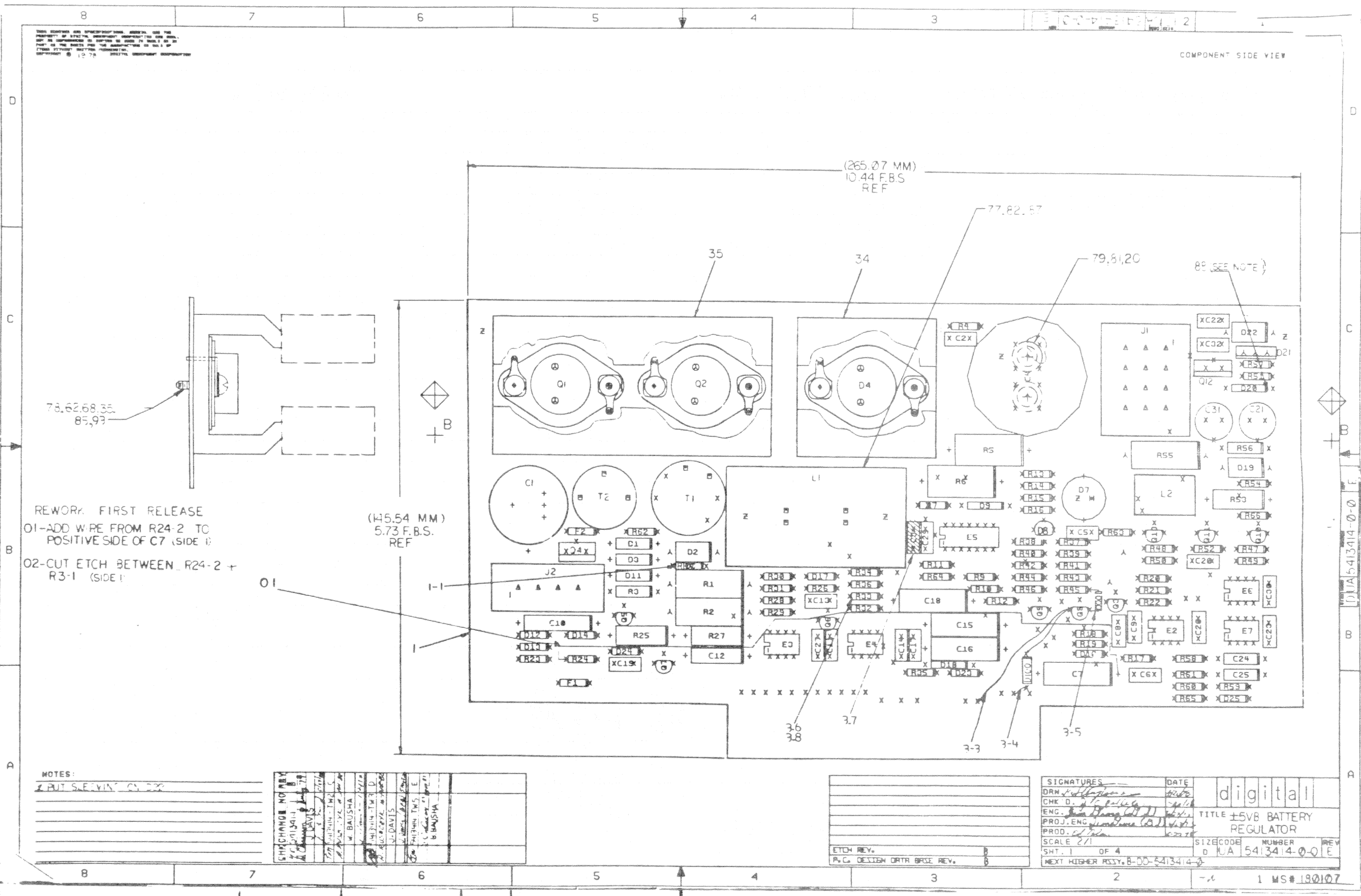
COPYRIGHT © 1978 DIGITAL EQUIPMENT CORPORATION



USED ON OPTION/MODEL	DRN.	DATE	TITLE
H7106	LISE GRAHAM	4/11/78	+5VB BATTERY REGULATOR
	CHKD.	DATE	
	<i>Rita Burian</i>	5/7/78	
	ENG.	DATE	
	<i>Sam Davis (D.L.)</i>	6/27/78	
	PROD.	DATE	
	<i>L. Blais</i>	6-27-78	
	SIZE	CODE	NUMBER
	B	DD	5413414-0
	SHEET 1 OF 1		REV. F

THIS DRAWING AND SPECIFICATION SHALL BE USED FOR THE PURPOSES OF THE CONTRACT ONLY. THE CONTRACTOR SHALL BE RESPONSIBLE FOR OBTAINING ALL NECESSARY PERMITS AND APPROVALS FOR THE WORK TO BE PERFORMED UNDER THE CONTRACT. THE CONTRACTOR SHALL BE RESPONSIBLE FOR OBTAINING ALL NECESSARY PERMITS AND APPROVALS FOR THE WORK TO BE PERFORMED UNDER THE CONTRACT.

COMPONENT SIDE VIEW



78.62,68,35.
85,93

(265.07 MM)
10.44 F.S.
REF

(45.54 MM)
5.73 F.S.
REF

REWORK FIRST RELEASE
O1-ADD WIRE FROM R24-2 TO
POSITIVE SIDE OF C7 (SIDE I)
O2-CUT ETCH BETWEEN R24-2 +
R3-1 (SIDE I)

NOTES:
Z BUT SEE VINT. C. 232

CHANGE NO	REV	DATE	BY	CHK
1	1	10/13/61	W. BAUSHA	
2	1	10/13/61	W. BAUSHA	
3	1	10/13/61	W. BAUSHA	
4	1	10/13/61	W. BAUSHA	
5	1	10/13/61	W. BAUSHA	
6	1	10/13/61	W. BAUSHA	
7	1	10/13/61	W. BAUSHA	
8	1	10/13/61	W. BAUSHA	
9	1	10/13/61	W. BAUSHA	
10	1	10/13/61	W. BAUSHA	

ETCH REV.	DATE	BY	CHK
P.C. DESIGN DATA BRSE. REV.			

SIGNATURES	DATE	TITLE
DRW. <i>[Signature]</i>	10/13/61	digital
CHK. D. <i>[Signature]</i>	10/13/61	
ENG. <i>[Signature]</i>	10/13/61	TITLE ±5V8 BATTERY REGULATOR
PROJ. ENG. <i>[Signature]</i>	10/13/61	SIZE CODE NUMBER d UA 5413414-0-0 E
PROD. <i>[Signature]</i>	10/13/61	REV
SCALE 2/1	SHT. 1 OF 4	1 MS# 180107
NEXT HIGHER ASSY. B-00-5413414-0		

8

6

5

4

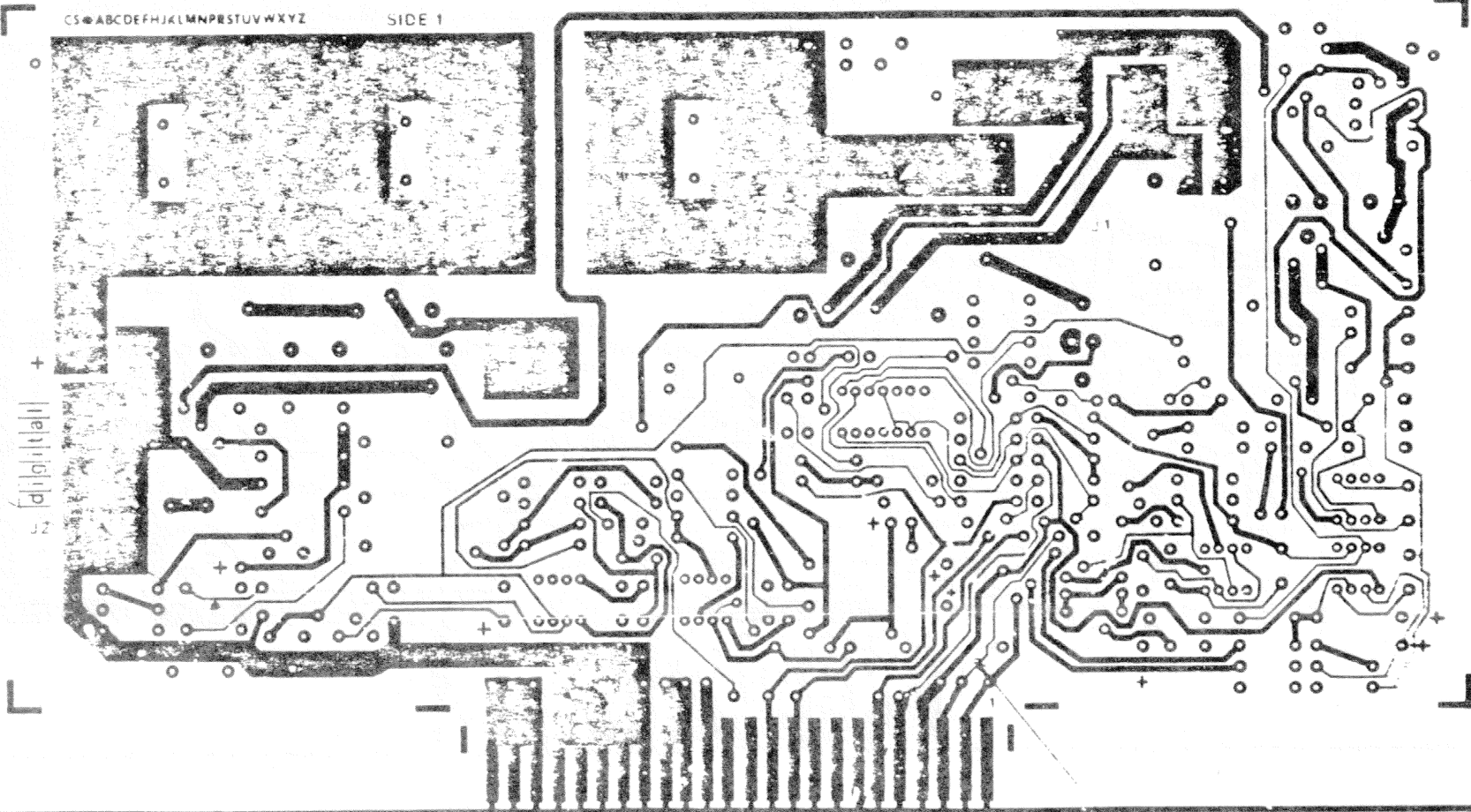
3

C 2

D



L1 5413414 5013413B



BATTERY		D 0A5413414-0-2	F
REGULATOR			
REV	27	2.4	

8

7

6

5

4

3

2

1

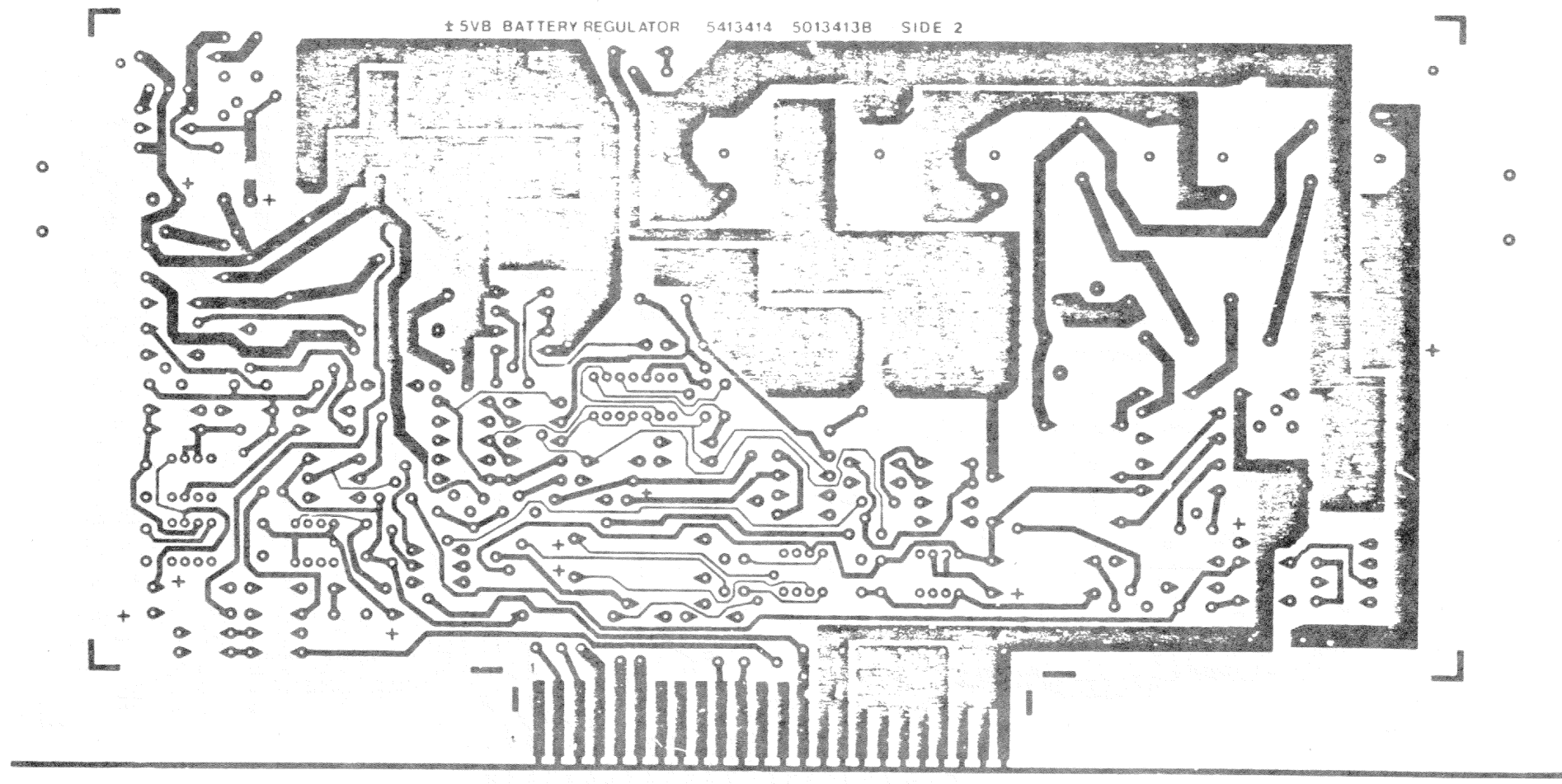
8 7 6 5 4 3 2 1

REV. 1
DATE: 11/10/54

2 5413414-0

L2 5413414 5013413B

± 5VB BATTERY REGULATOR 5413414 5013413B SIDE 2



8 7 6 5 4 3 2 1

DATE: 11/10/54
D 5413414-0 E

THE DRAWING AND SPECIFICATIONS HEREIN ARE THE PROPERTY OF DIGITAL EQUIPMENT CORPORATION AND SHALL NOT BE REPRODUCED OR COPIED OR USED IN WHOLE OR IN PART AS THE BASIS FOR THE MANUFACTURE OR SALE OF ITEMS WITHOUT WRITTEN PERMISSION. COPYRIGHT © 1973 DIGITAL EQUIPMENT CORPORATION.

REWORK INSTRUCTIONS

- ECO # 1
 COMPONENT ADDS: SIDE 1:
 1-1 ADD R100 (P/N 1300315) BETWEEN D2 & R1.
- ECO # 3
 ETCH CUTS: SIDE 1
 3-1 CUT ETCH BETWEEN COLLECTOR OF Q8 AND PLATED THROUGH HOLE LEADING TO A3-1 & A3-2
 3-2 CUT ETCH BETWEEN LEFT SIDE OF R41 (ADJACENT TO R42) AND PLATED THRU HOLE LEADING TO A5-1 & A5-2
- WIRE ADDS: SIDE 2
 3-3 ADD WIRE P/N 91-05740-55 FROM PTH AT A5 TO COLLECTOR OF Q8
- COMPONENT ADD: SIDE 1
 3-4 ADD DIOD P/N 11-05275 WITH SLEEVING P/N 91-07256-11 ON LEADS FROM PTH AT A3 TO COLLECTOR OF Q8 WITH CATHODE TO COLLECTOR OF Q8
 3-5 ADD C100 P/N 10-10274-00 FROM RIGHT SIDE OF R45 (SIDE CONNECTED TO BASE OF Q8) TO THE EMITTER OF Q8
 3-6 ADD R33 P/N 1300479-00
- COMPONENT DELETE: SIDE 1
 3-7 DELETE C3
 3-8 DELETE R33 P/N 1300444-00

REVISION HISTORY		
DATE	ECO NUMBER	REV

TITLE		DOCUMENT NUMBER	
-5V3 BATTERY REGULATOR		NUMBER	REV
SCALE		5413414-0-0	E
TW		SHEET 4 OF 4	

AUTOMATED BY PRTLST.ID(11)

PARTS LIST

SHEET A1 OF A3

LINE	ITEM	DOCUMENT NUMBER	PART NUMBER	DESCRIPTION	QTY	PER VARIATION	REFERENCE DESIGNATOR
		D-MD-5013413-0-0	5013413-00	ETCH BOARD FOR 54-13414	1		
			1000009-00	33.0 MMF 100V 5%200PPM MICA	1		C23
			1000010-00	39.0 MMF 100V 5%200PPM MICA	1		C14
			1000016-00	100.0 MMF 100V 5%200PPM MICA	1		C13
			1000024-00	470.0 MMF 100V 5%200PPM MICA	1		C19
			1000042-00	1000.0 MMF 100V 5%200PPM MICA	1		C20
			1000043-00	1000.0 MMF 250V 20% YSF DISC	1		C6
			1000061-00	.0082 MFD 100V 10% MYLR	1		C12
			1000070-00	10 MFD 50V+100-10% AL EL	1		C7
			1001610-01	.01 MFD50/100V +80-20% DISC	11		C2, C3, C5, C9, C11, C17, C26, C27, C29, C30, C32
			1002342-00	.1 MFD 100V 10% MYLR	1	CONT	C10
			1002627-00	2.2MFD 20V 10% S. TANT	1		C25
			1004813-00	10 MFD 20V 10% S. TANT	1		C18
			1005335-00	39 MFD 20V 10% S. TANT	2		C15, C16
			1011895-00	.15 MFD 35V 10% S. TANT	1		C24
			1012607-01	1200 MFD 6.3V+100-10% AL EL	1		C21
			1012607-02	180 MFD 50V+100-10% AL EL	1		C31
			1014169-00	1000.0 MMF 100V 1%200PPM MICA	1		C9
			1014229-01	1000 MFD 50V +75-10% AL EL	1		C1
			1014333-00	15.000 MFD 7.5V 20% AL EL	1		C4
			1105275-00	D 672 TR= 15NS PIV= 60V SI	7		D10, D12-D14, D17, D23, D25
			1105871-00	1/4MS. 1A21 = 5.1 1% .25W N	1		D18
			1110498-00	1N 4733 VZ= 5.1 10% 1W N	1		D24
			1110968-00	2N 5062 SCR 100V I= .8A T092	1		D8
			1111205-00	SCREENED VZ= 5.7 2% .40W	1		D9, D20
			1112594-01	A115B PIV=200 I= 3A	2		D2, D22
			1112595-01	A114B PIV=200 I= 1A	3		D1, D3, D11
			1113436-00	UES602R PIV=100 I=30A T03	1		D4
			1114602-00	UES1302 PIV=100V I= 4A	1		D19

REVISION HISTORY		BASIC PART NO: 5413414		DRN: K. SHEYTANIAN	DATE: 04-MAY-78	D I G I T A L	
ENG	ECO NUMBER	REV	SECTION A OF A	CHK'D: J. PELLETIER	DATE: 04-MAY-78	T I T L E	
	INIT	A	SECTION VARIATION INDEX			P A R T S L I S T	
MS	5413414-TW001A	B	[A] 00			P L U S & M I N U S 5 V B B A T T E R Y R E G .	
MS	5413414-TW001A	B	[B]				
WB	5413414-TW002	C	[C]				
			[D]				
			[E]				
			[F]				
			[H]				
			[J]				
			[K]				
			[L]				
			[M]				
			[N]				
				MFG.ENG.: WAYNE BELANGER	DATE: 4-10-78	SIZE: K	CODE: PL
				ASSEMBLY NUMBER: D-UA-5413414-0-0	TOP DOCUMENT NUMBER: H7106	NUMBER: 5413414-0-DBP	REV: C
						FILE NAME: Z0718C.FLS	EDIT #: 19

"THIS DRAWING AND SPECIFICATIONS HEREIN, ARE THE PROPERTY OF DIGITAL EQUIPMENT CORPORATION AND SHALL NOT BE REPRODUCED OR COPIED OR USED IN WHOLE OR IN PART AS THE BASIS FOR THE MANUFACTURE OR SALE OF ITEMS WITHOUT WRITTEN PERMISSION. COPYRIGHT (C) 1982. DIGITAL EQUIPMENT CORPORATION"

LINE	ITEM	DOCUMENT NUMBER	PART NUMBER	DESCRIPTION	QTY	PER VARIATION	REFERENCE DESIGNATOR
					00		
	30		1205747-00	FUSE, SUB-MINI, 5.000A, 125V, A	1		F2
			1210929-00	FUSE, SUB-MINI, 15.000A, 32V, A	1		F1
			1212297-01	MATE-N-LOK 4PIN UNIV HEADER	1		J2
			1212297-06	MATE-N-LOK 12PIN UNIV HEADER	1		J1
			1214255-04	HEAT SINK, SINGLE, T03 W/THREADE	1		
			1214255-05	HEAT SINK, DOUBLE, T03 W/THREADE	1		
			1300228-00	100.0 .50 W 5.0 % CC	1		R55
			1300229-00	100.0 .25 W 5.0 % CC	5		R13, R14, R23, R51, R52
			1300277-00	220.0 1.0 W 10.0 % CC	2		R25, R27
			1300292-00	300.0 1.0 W 5.0 % CC	1		R30
			1300295-00	330.0 .25 W 5.0 % CC	1		R36
			1300296-00	330.0 .50 W 5.0 % CC	1		R37
			1300316-00	470.0 .25 W 5.0 % CC	3		R7, R28, R65
			1300365-00	1.0 K .25 W 5.0 % CC	11		R10, R11, R20, R31, R34, R35, R50, R61.
			1300411-00	2.0 K .25 W 1.0 % RN550-F10	3		CONT R63, R54, R30
			1302389-00	4.30 K .25 W 5.0 % CC	1		R37, R59, R60
			1300439-00	3.30 K .25 W 5.0 % CC	1		R66
			1300447-00	4.70 K .25 W 5.0 % CC	2		R29
			1300479-00	10.0 K .25 W 5.0 % CC	10		R17, R21
			1301317-00	10.0 K .25 W 5.0 % CC	1		R12, R22, R24, R26, R44-R49, R41
			1302390-00	100.0 C 2.0 W 5.0 % CC	1		R4
			1302466-00	100.0 K .25 W 5.0 % CC	1		R1, R2
			1302751-00	30.0 .25 W 5.0 % CC	1		R32, R58
			1303114-00	1.0 K .25 W 5.0 % RN550-F10	1		R15, R16, R57
			1304840-00	62.0 K .25 W 5.0 % CC	1		R40
			1305421-00	35.70 K .25 W 5.0 % RN550-F10	1		R49
			1305890-00	4.70 .25 W 5.0 % CC	1		R19
			1303595-00	1.0 M .25 W 5.0 % CC	4		R62
			1315725-00	.50 5.0 W 3.0 % WW	1		R3, R42, R43, R64
			1310876-00	.02 5.0 W 3.0 % WW	1		R55
			1311594-00	30.10 K .25 W 1.0 % RN550-F10	2		R5, R6
			1312452-00	3.74 K .25 W 1.0 % RN550-F10	1		R18
			1313071-02	INSULATOR, RUBBER SILICONE SM	3		R38, R39
			1515867-00	2N 4441 SCR 50V & 8A	1		D21
			1514431-00	D 45C11 PNP 30W SI 80 40	1		D12
			1510705-00	XA 05 NPN 500MW SI 60 50 P	10		D5, D13, D3, D5, D8, D9, D10, D11
			1510706-00	XA 55 PNP 500MW SI 60 50 P	1		D7
			1510928-00	C32AX135 SCR 100V I=25A	1		D3
			1510969-00	2N 5038 NPN 140WC SI 90 50 Y	1		D1, D2
			1512790-00	D 44C12 NPN 30W SI	1		D4
			1614203-00	CHOKE, BALUN-COMMON MODE	1		T2
			1614207-00	PULSE XFMR, RATIO 1:8:60, TOROID P	1		T1
			1614427-00	25 UH 10% 30A	1		L1
			1910282-00	301AN OP AMP	1		U4, E7
			1911944-00	555CN TIMER, FUNCT. BLOCK	1		U2, E3, E6
			1912108-00	339 VOLT CMPRTR, QUAD	1		U3
			1615654-00	105 UH 10% 2ADC	1		L2

D	I	G	I	T	A	L	TITLE	PLUS & MINUS 5VB BATTERY REG.	SECTION A OF A	SIZE	CODE	DOCUMENT NUMBER	REV
										K	PL	5413414-0-DBP	C

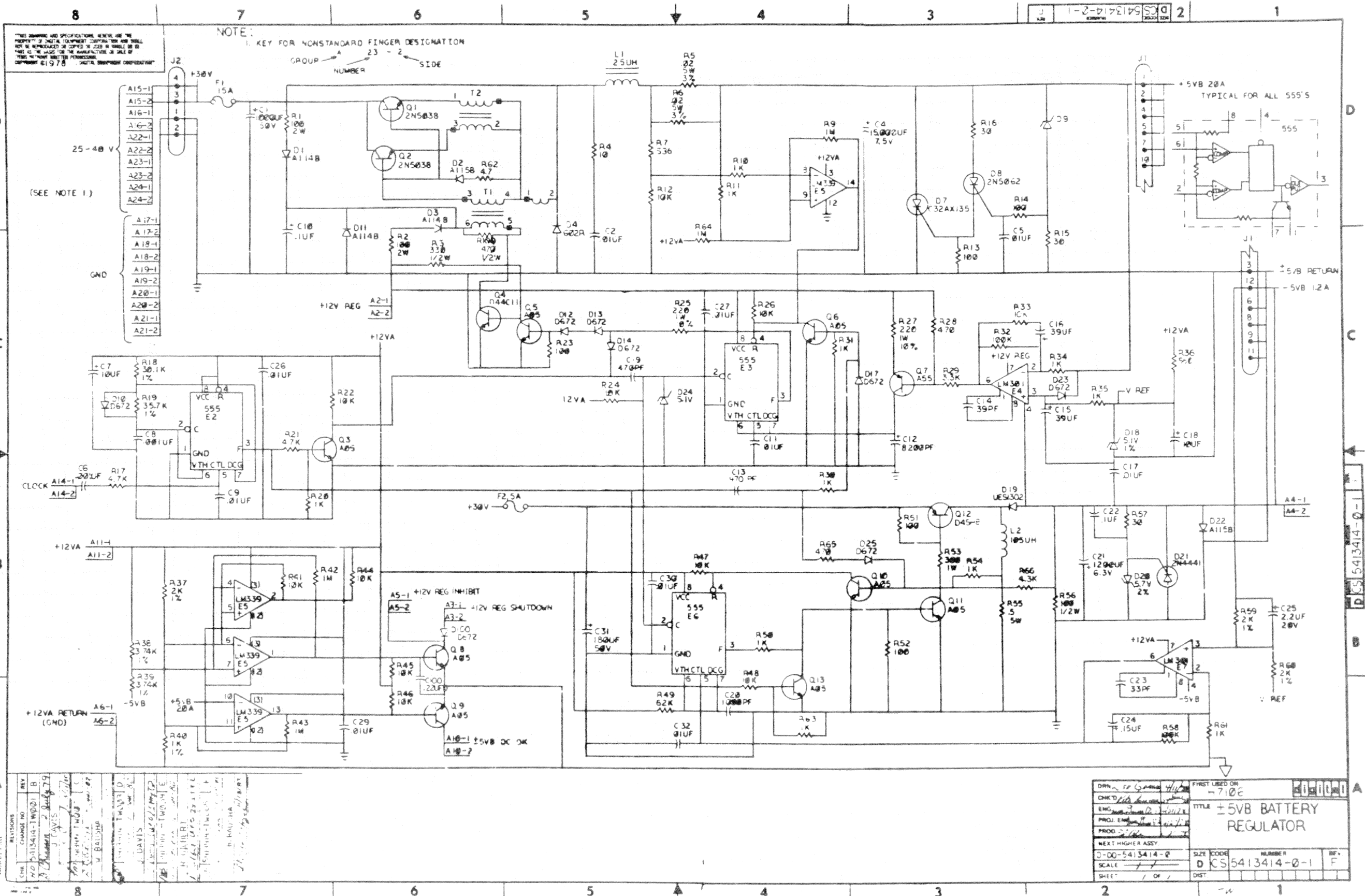
AUTOMATED BY PRTLST.ID(11)

PARTS LIST

SHEET A3 OF A3

LINE	ITEM	DOCUMENT NUMBER	PART NUMBER	DESCRIPTION	QTY PER VARIATION	REFERENCE DESIGNATOR
1			9006021-01	SCREW, PAN, PHIL 6-32X 5/16 SS	00	
2			9006024-01	SCREW, PAN, PHIL 6-32X 1/2 SS		
3			9006071-01	SCREW, PAN, PHIL 10-32X 3/8 SS		
	BLANK		9006664-00	WASHER, FLAT, .437 OD X .218 ID		
			9007801-00	WASHER, LOCK, S.S. #6		
	BLANK		9007906-00	WASHER, LOCK, S.S. #10		
			9009676-00	*** THIS ITEM IS NOT USED ***		
			1000030-00	TERM, SOLDER BARRIER STR		
			9005656-00	.1 MFD 100V 20% Z5U DISC		C22
			9107256-11	WASHER, FLAT, .312 O.D. X .156 I		
			9105740-55	TUBING, THIN WALL, .027ID UL		
			1300444-00	WIRE (WRAP) 30AWG UL1423		
			1300315-00	3.90 K .25 W 5.0 % CC		R33
	BLANK		9007649-00	470.0 .50 W 5.0 % CC		R100
				*** THIS ITEM IS NOT USED ***		
				WASHER, LOCK, EXTERNAL TOOTH #6		

D	I	G	I	T	A	L	TITLE	PLUS & MINUS 5VB BATTERY REG.	SECTION A OF A	SIZE	CODE	DOCUMENT NUMBER	REV
										K	PL	5413414-0-06P	C



REV	DATE	BY	CHKD	DESCRIPTION
1	11/15/77	J. DAVIS	J. DAVIS	INITIAL DESIGN
2	11/15/77	J. DAVIS	J. DAVIS	REVISED TO ADD 5V B 20A
3	11/15/77	J. DAVIS	J. DAVIS	REVISED TO ADD 5V B 1.2A
4	11/15/77	J. DAVIS	J. DAVIS	REVISED TO ADD 5V B DC OK
5	11/15/77	J. DAVIS	J. DAVIS	REVISED TO ADD 5V B 20V
6	11/15/77	J. DAVIS	J. DAVIS	REVISED TO ADD 5V B 1K
7	11/15/77	J. DAVIS	J. DAVIS	REVISED TO ADD 5V B 2K
8	11/15/77	J. DAVIS	J. DAVIS	REVISED TO ADD 5V B 10K

DATE: 11-15-77
FIRST USED ON: 710E
TITLE: ±5V BATTERY REGULATOR
NEXT HIGHER ASSY:
SCALE: 1/8" = 1"
SHEET: 1 OF 1

DRAWING NO.	NO. OF SHTS.	PART NO.	DESCRIPTION	REVISIONS																									
				1	2	3	4	5	6	7	8	9	10	11	12	13	14	15	16	17	18	19	20	21	22	23	24	25	26
D-UA-5412556-0-0	3		+12V REGULATOR	*	A	B	B	C	D	E																			
K-PL-5412556-0-DBP	2		P/L DATA BASE	*	A	B	C	D	D	E																			
D-CS-5412556-0-1	1		+12V REGULATOR	*	A	B	C	D	D	E																			
D-MD-5012555-0-0	4		DRILL & ETCH DRAWING	*	*	A	A	A	B	B																			
		5012555	ETCHED BOARD	A	A	B	B	B	C	C																			
K-PC-5412556-0-DBG			P.C. DESIGN DATA BASE	REP	*	B	B	B	C	C																			

NOTES:

DATE	CHG NO.	REV.	REVISIONS	A	B	C	D	E	F
				12-7700001	6-78TW002	10-79TW003	2-82TW004	5-82TW005	1-84TW006
			ORIG						

"THIS DRAWING AND SPECIFICATIONS, HEREIN, ARE THE PROPERTY OF DIGITAL EQUIPMENT CORPORATION AND SHALL NOT BE REPRODUCED OR COPIED OR USED IN WHOLE OR IN PART AS THE BASIS FOR THE MANUFACTURE OR SALE OF ITEMS WITHOUT WRITTEN PERMISSION.
 COPYRIGHT © 1977 DIGITAL EQUIPMENT CORPORATION



USED CH OPTION/MODEL H7102	DRN. R. KOPPENAL	5-25-77	TITLE +12V REGULATOR
	ENG. B. J. Smith	8 Aug 77	SIZE CODE B DD
	REC'D. Ed Blair	9 Aug 77	NUMBER 5412556-0
			REV F
			SHEET 1 OF 2

F	5412556-0	DD	B
REV.	NUMBER	CODE	SIZE

DRAWING NO.	NO. OF SHTS.	PART NO.	DESCRIPTION	REVISIONS													
D-UA-5412556-0-0	3		+12V REGULATOR	AL	AI												
B-PL-5412556-0-0	4		+12V REGULATOR	AL	AI												
D-CS-5412556-0-1	1		+12V REGULATOR	AL	AI												
D-MD-5012555-0-0	4		DRILL AND ETCH DRAWING	*	*												
		5012555	ETCHED BOARD	A	A												
5412556-Ø-L			P.C. DESIGN DATA BASE	A	A												
5412556-Ø-PL			INSERTION P/L DATA BASE	RE	RE												

NOTES:

REVISIONS	DATE	CHG NO.	REV.

"THIS DRAWING AND SPECIFICATIONS, HEREIN, ARE THE PROPERTY OF DIGITAL EQUIPMENT CORPORATION AND SHALL NOT BE REPRODUCED OR COPIED OR USED IN WHOLE OR IN PART AS THE BASIS FOR THE MANUFACTURE OR SALE OF ITEMS WITHOUT WRITTEN PERMISSION.
 COPYRIGHT © 1978 DIGITAL EQUIPMENT CORPORATION

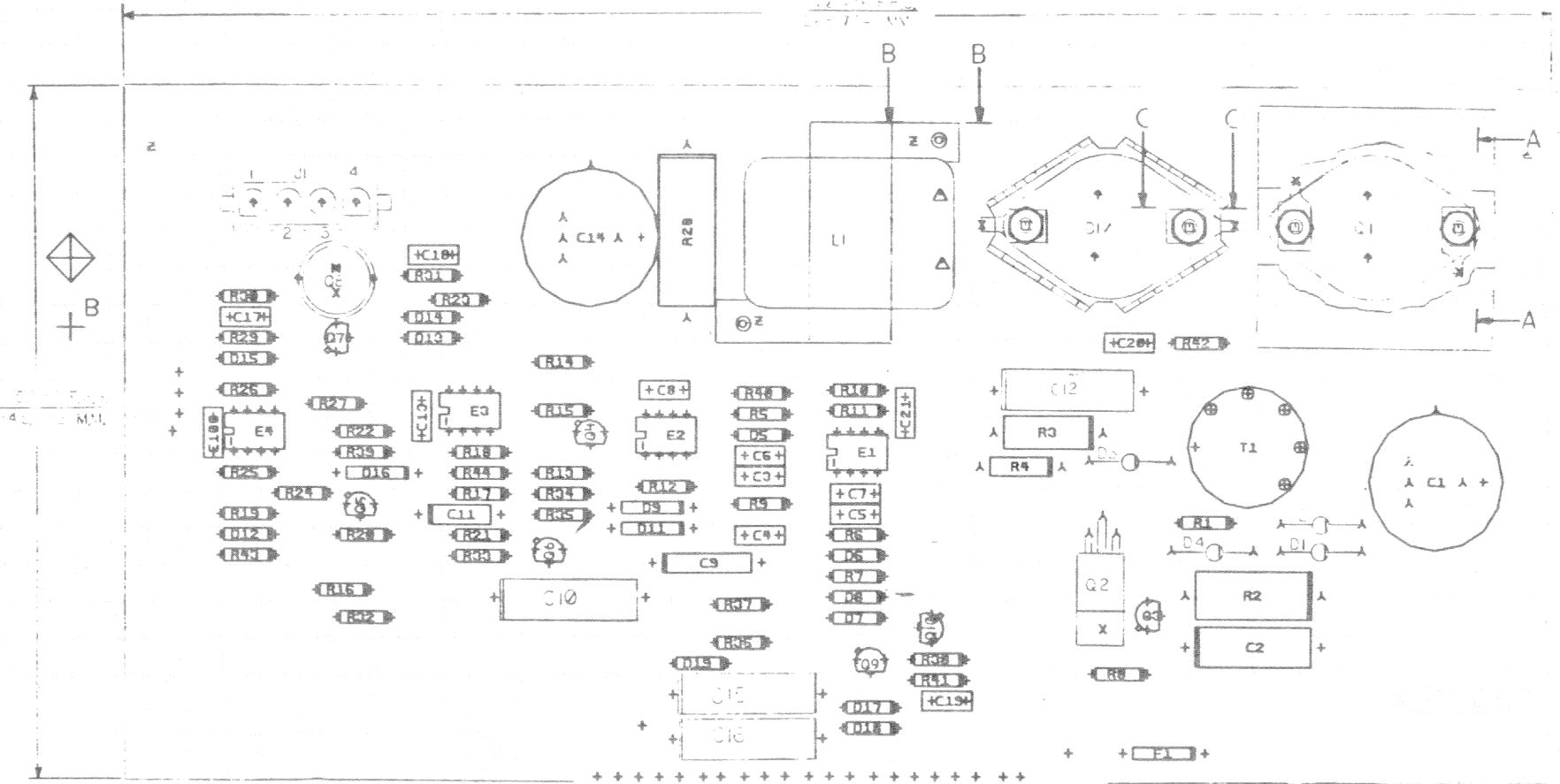
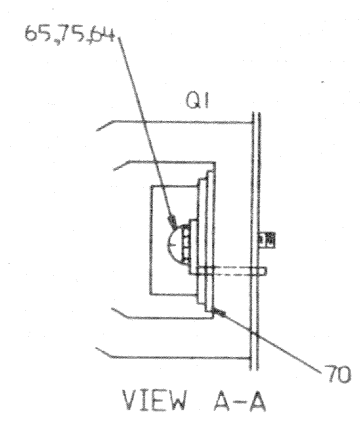
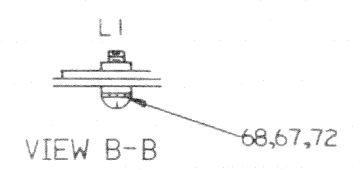
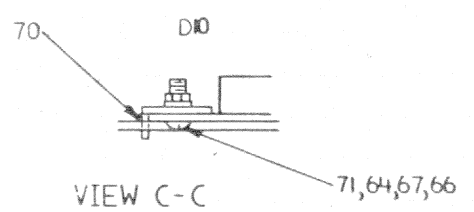


USED ON OPTION/MODEL	DRN.	CHK'D	ENG.	PROD.	DATE
H7102	R. KOPPENAL	J.B. DAVIS	J.B. DAVIS	E. BLAIN	25MAY77 8AUG77 8AUG77 8AUG77

TITLE		SIZE	CODE	NUMBER	REV
+12V REGULATOR		B	DD	5412556-0	F
SHEET 2 OF 2					

THIS DRAWING AND SPECIFICATIONS, HEREIN, ARE THE PROPERTY OF DIGITAL EQUIPMENT CORPORATION AND SHALL NOT BE REPRODUCED OR TRANSMITTED IN ANY FORM OR BY ANY MEANS, ELECTRONIC OR MECHANICAL, INCLUDING PHOTOCOPYING, RECORDING, OR BY ANY INFORMATION STORAGE AND RETRIEVAL SYSTEM, WITHOUT WRITTEN PERMISSION OF DIGITAL EQUIPMENT CORPORATION.

COMPONENT SIDE VIEW



NOTES:

CH	REVISION	DATE	BY
1	5412556-2		
2	5412556-2		
3	5412556-2		
4	5412556-2		
5	5412556-2		
6	5412556-2		
7	5412556-2		
8	5412556-2		

ETCH REV.	DATE	BY
1		
2		
3		

SIGNATURES	DATE	TITLE
DRN. J. B. DAVIS		
CHK. D. J. DREW		
PROJ. ENG. J. DREW	05-77	
PROD. E. BLAIR	05-77	

digital

TITLE
+12 VOLT REGULATOR

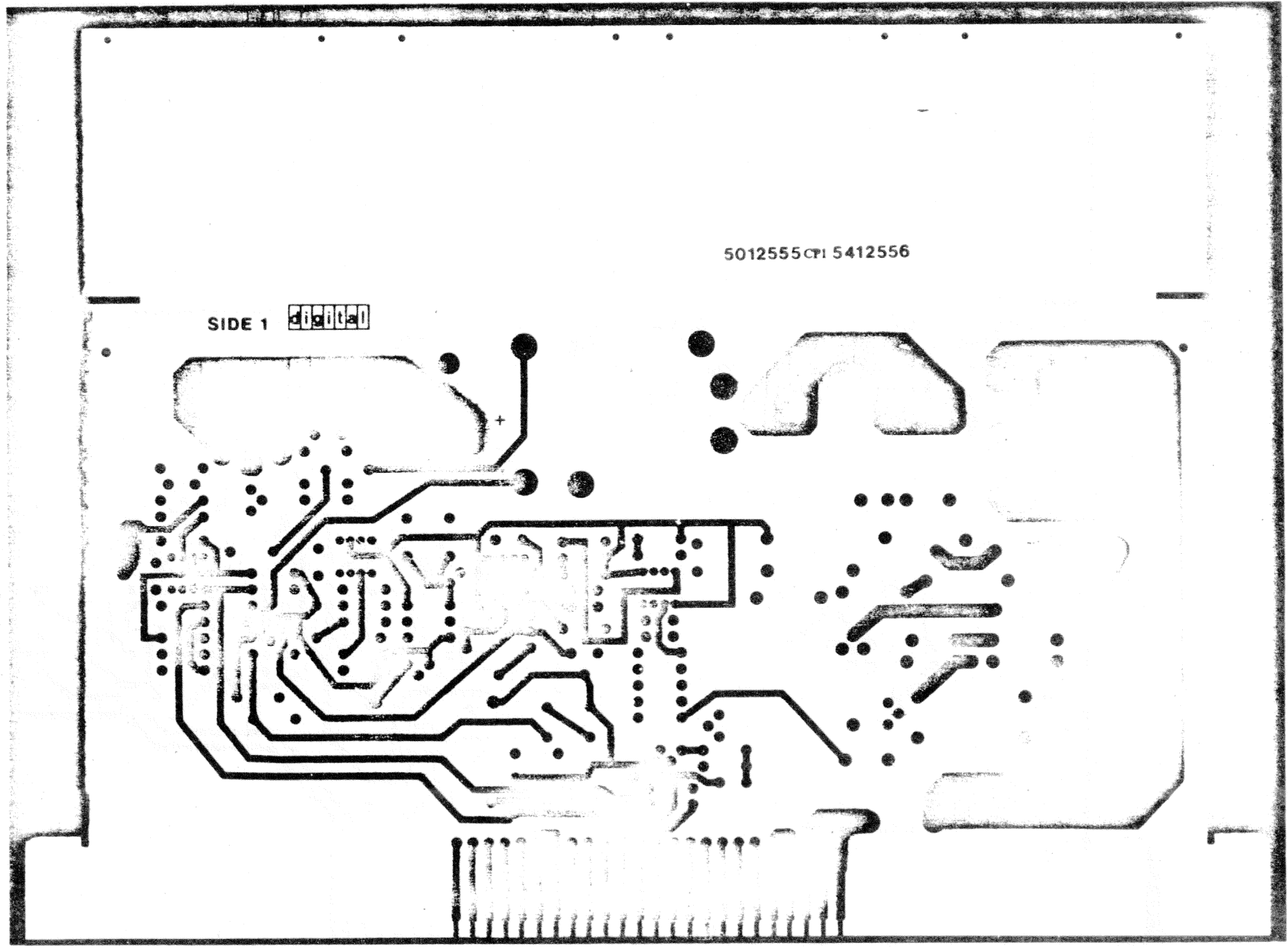
SCALE 1/1
SHT. 1 OF 4
NEXT HIGHER REVISION

SIZE CODE NUMBER REV
0 U.A. 5412556-0-0 E

TW: MS# 00000

8 6 5 4 3 2 1

REV. 1
DATE: 11/11/64
BY: [illegible]



VIEWED FROM SIDE 2

REVISIONS		
NO.	DESCRIPTION	DATE
1	ECO NUMBER	REL.

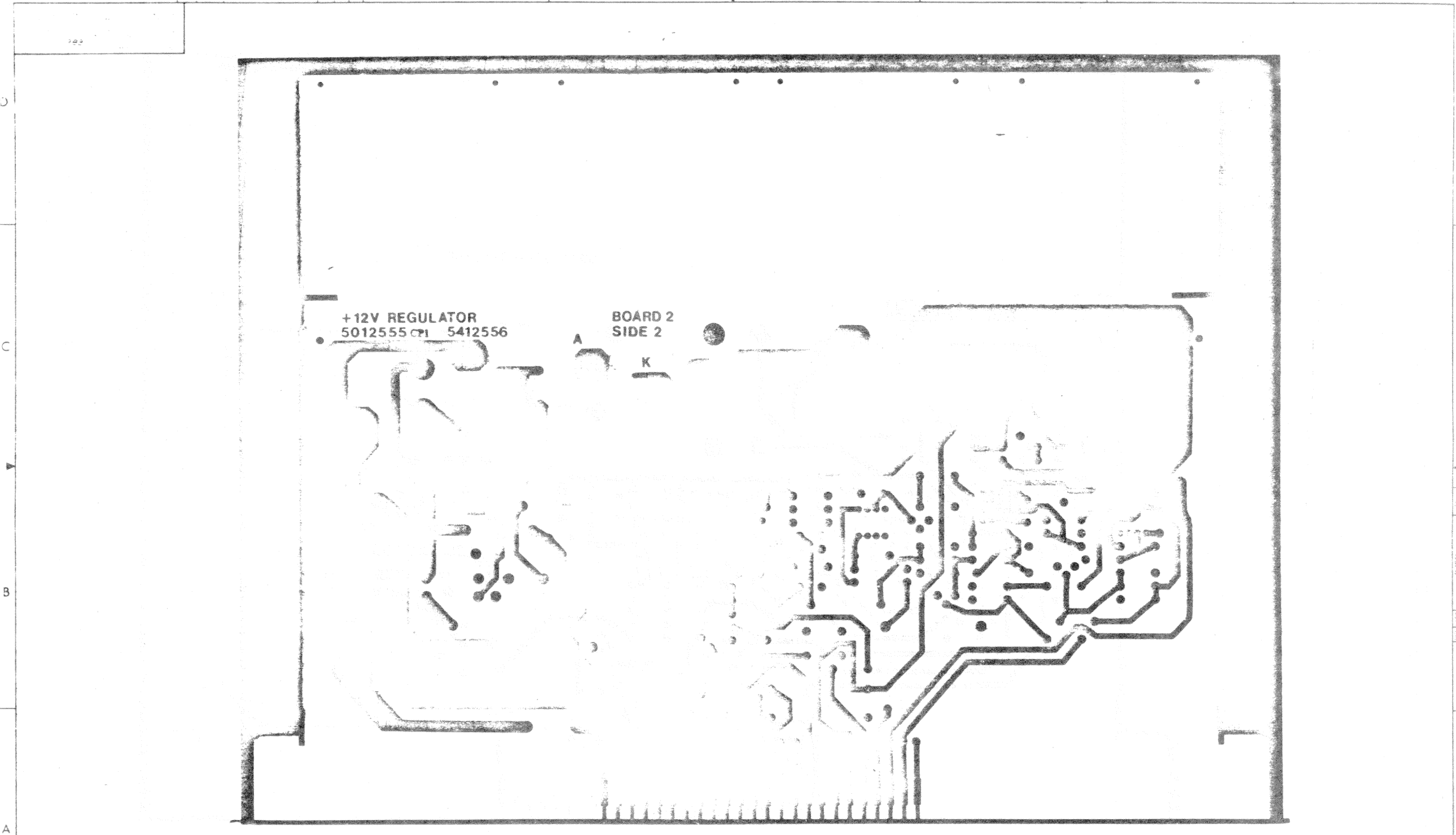
8 7 6 5 4 3 2 1

TITLE
+12V REGULATOR

DOCUMENT NUMBER		
SIZE	NO.	REV.
DUA	5412556-0-0	-
SCALE	SHEET	SHEET
	2	4

D C B A

8 6 5 4 3 2 1



VIEWED FROM SIDE 1

DATE		DRAWN		CHECKED		APPROVED	

TITLE						DOCUMENT NUMBER	
+ 12V REGULATOR						DUA 5412556	
SCALE 2:1						SHEET 3 OF 4	

8 7 6 5 4 3 2 1

8 6 5 4 3 2 1

THIS DRAWING AND SPECIFICATIONS HEREON ARE THE PROPERTY OF DIGITAL EQUIPMENT CORPORATION AND SHALL NOT BE REPRODUCED OR COPIED OR USED IN WHOLE OR IN PART AS THE BASIS FOR THE MANUFACTURE OR SALE OF ITEMS WITHOUT WRITTEN PERMISSION. COPYRIGHT © DIGITAL EQUIPMENT CORPORATION

REWORK INSTRUCTIONS

541255b-TW006

COMPONENT DELETES SIDE 1:

1301320-00 (ITEM 74) 1.2K, .25W 5.0% C.C.

COMPONENT ADD SIDE 1:

1300426-00 (ITEM 74) 2.7K, .25W 5.0% C.C.

D
C
B
A

D
C
B
A

DUA 541255b-0-0

REVISION HISTORY		
DATE	ECO NUMBER	REV.

8

7

6

5

4

3

2

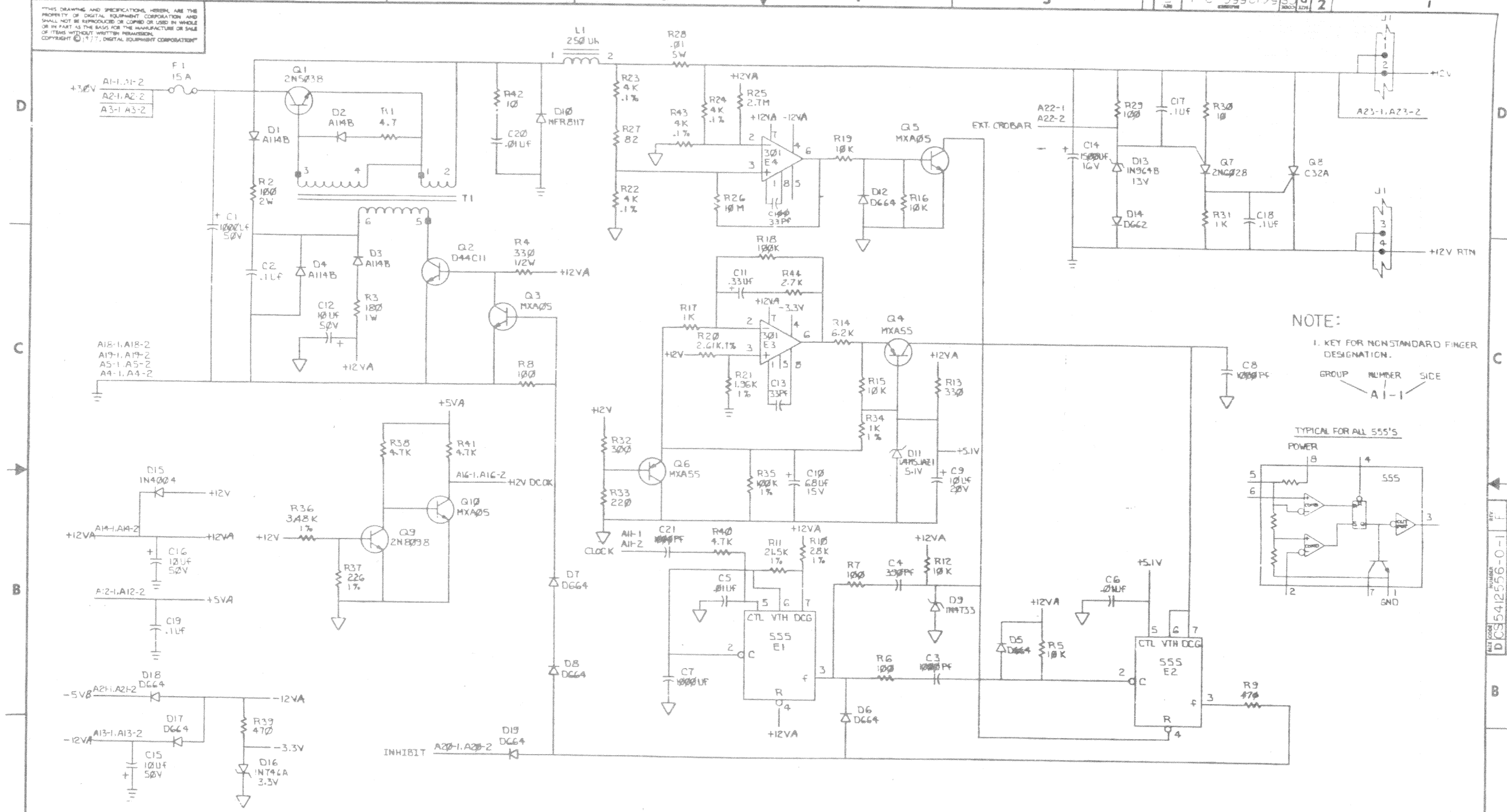
1

TYPE
+12 VOLT REGULATOR

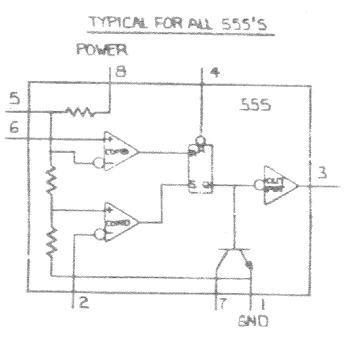
DOCUMENT NUMBER		
FORM	NUMBER	REV.
DUA	541255b-0-0	E
SCALE	1/1	SHEET 4 of 4

THIS DRAWING AND SPECIFICATIONS HEREIN ARE THE PROPERTY OF DIGITAL EQUIPMENT CORPORATION AND SHALL NOT BE REPRODUCED OR COPIED OR USED IN WHOLE OR IN PART AS THE BASIS FOR THE MANUFACTURE OR SALE OF ITEMS WITHOUT WRITTEN PERMISSION. COPYRIGHT © 1977, DIGITAL EQUIPMENT CORPORATION.

1-C-9990179 SD 2



NOTE:
1. KEY FOR NONSTANDARD FINGER DESIGNATION.
GROUP NUMBER SIDE
A1-1



REV.	REV.	REV.
1	1	1
2	2	2
3	3	3
4	4	4
5	5	5
6	6	6
7	7	7
8	8	8
9	9	9
10	10	10
11	11	11
12	12	12
13	13	13
14	14	14
15	15	15
16	16	16
17	17	17
18	18	18
19	19	19
20	20	20

DRN. C. K. H. 5-24-77	FIRST USED ON	H7102 digital
CHK. J. S. 5-24-77	TITLE	+12V REGULATOR
ENG. J. S. 5-24-77	SCALE	1:1
PROL. ENG. J. S. 5-24-77	SIZE	CODE
PROD. J. S. 5-24-77	NUMBER	5412556-0-1
NEXT HIGHER ASSY.	SHEET	OF 1
D-UA-5412556-0-0	DIST.	

TW 1

LINE	ITEM	DOCUMENT NUMBER	PART NUMBER	DESCRIPTION	QTY	PER VARIATION	REFERENCE DESIGNATOR
					00		
1	1	D-MD-5012555-0-0	5012555-00	5412556	1		
2	2		1014228-01	1000 MFD 50V +75-10% AL EL	1		C1
3	3		1002342-00	.1 MFD 100V 10% MYLR	1		C2
4	4		1000042-00	1000.0 MMF 100V 5%200PPM MICA	4		C3,C7,C8,C21
5	5		1001631-00	390.0 MMF 100V 5%200PPM MICA	1		C4
6	6		1001610-01	.01 MFD50/100V +80-20% DISC	3		C5,C6,C20
7	7		1004813-00	10 MFD 20V 10% S.TANT	1		C9
8	8		1005328-00	.33 MFD 20V 10% S.TANT	1		C11
9	9		1000082-00	68 MFD 15V 10% S.TANT	1		C10
10	10		1000070-00	10 MFD 50V+100-10% AL EL	3		C12,C15,C16
11	11		1000009-00	33.0 MMF 100V 5%200PPM MICA	2		C13,C100
12	12		1014229-01	1500 MFD 16V +75-10% AL EL	1		C14
13	13		1000030-00	.1 MFD 100V 20% Z5U DISC	3		C17-C19
14	14		1112595-01	A114B PIV=200 I= 1A	4		D1-D4
15	15		1100114-00	D 664 QSN75PCB PIV= 25V SP	8		D5-D8,D12,D17,D18,D19
16	16		1110488-00	1N 4733 VZ= 5.1 10% 1W N	1		D9
17	17		1110715-00	NSR8117 PIV= 75 I=20A T03 SM	1		D10
18	18		1105871-00	1/4MS.1AZ1 = 5.1 1% .25W N	1		D11
19	19		1109989-00	1N 964B VZ= 13.0 5% .40W	1		D13
20	20		1100113-00	D 662 OS 600PCB(STABISTOR)	1		D14
21	21		1105796-00	1N 4004 PIV=400 I= 1A D041 SP	1		D15
22	22		1104860-00	1N 746A VZ= 3.3 5%	1		D16
23	23		1210929-00	FUSE, SUB-MINI, 15.000A, 32V, A	1		F1
24	24		1212297-01	MATE-N-LOK 4PIN UNIV HEADE	1		J1
25	25		1213426-01	HEAT SINK TD-3	1		
26	26		1305890-00	4.70 .25 W 5.0 % CC	1		R1
27	27		1302380-00	100.0 2.0 W 5.0 % CC	1		R2
28	28		1300262-00	180.0 1.0 W 5.0 % CC	1		R3
29	29		1300296-00	330.0 .50 W 5.0 % CC	1		R4
30	30		1300479-00	10.0 K .25 W 5.0 % CC	5		R5,R12,R15,R16,R19

REVISION HISTORY			BASIC PART NO: 5412556							
ENG	ECD NUMBER	REV	SECTION A OF A	DRN:	R.KOPPENAL	DATE: 14-JUN-78	D I G I T A L			
J.S	00002	B	SECTION.VARIATION INDEX	CHK'D:	K.GLEESSEN	DATE: 14-JUN-78	TITLE PARTS LIST			
C.L	TW003	C	[A] 00				+12V REGULATOR			
			[B]	DES.ENG:	J.B.DAVIS	DATE: 14-JUN-78	DOCUMENT NUMBER			
			[C]	RESP.ENG.:	J.B.DAVIS	DATE: 14-JUN-78	SIZE	CODE	NUMBER	REV
			[D]				K	PL	5412556-0-DBP	C
			[E]	MFG.ENG.:	ED BLAIR	DATE: 14-JUN-78	FILE NAME:			
			[F]	ASSEMBLY NUMBER:		TOP DOCUMENT NUMBER:	Z1844.PLS			
			[G]				EDIT #			
			[H]				19			
			[I]							
			[J]							
			[K]							
			[L]							
			[M]							
			[N]							

*THIS DRAWING AND SPECIFICATIONS HEREIN, ARE THE PROPERTY OF DIGITAL EQUIPMENT CORPORATION AND SHALL NOT BE REPRODUCED OR COPIED OR USED IN WHOLE OR IN PART AS THE BASIS FOR THE MANUFACTURE OR SALE OF ITEMS WITHOUT WRITTEN PERMISSION. COPYRIGHT (C) 1980. DIGITAL EQUIPMENT CORPORATION *

TW

PARTS LIST

LINE	ITEM	DOCUMENT NUMBER	PART NUMBER	DESCRIPTION	QTY PER VARIATION	REFERENCE DESIGNATOR
					00	
31	31		1300229-00	100.0		
32	32		1300365-00	1.0 K	.25 W 5.0 % CC	R6-R8,R29
33	33		1313153-00	28.0 K	.25 W 5.0 % CC	R17,R31
34	34		1303155-00	21.50 K	.25 W 1.0 % RN55D-F10	R10
35	35		1300295-00	330.0	.25 W 5.0 % CC	R11
36	36		1312931-00	6.20 K	.25 W 5.0 % CC	R13
37	37		1302466-00	100.0 K	.25 W 5.0 % CC	R14
38	38		1303303-00	2.61 K	.25 W 1.0 % RN55D-F10	R18
39	39		1304833-00	1.96 K	.25 W 1.0 % RN55D-F10	R20
40	40		1305354-00	4.0 K	.25 W .10% RN55C-B 5	R21
41	41		1309680-00	2.70 M	.25 W 5.0 % CC	R22,R23,R24,R43
42	42		1302666-00	10.0 M	.25 W 5.0 % CC	R25
43	43		1313014-00	.01	3.75 W 3.0 % WW	R26
44	44		1301317-00	10.0	.25 W 5.0 % CC	R28
45	45		1300271-00	220.0	.25 W 5.0 % CC	R30,R42
46	46		1303114-00	1.0 K	.25 W 1.0 % RN55D-F10	R33
47	47		1303044-00	100.0 K	.25 W 1.0 % RN55D-F10	R34
48	48		1305114-00	3.48 K	.25 W 1.0 % RN55D-F10	R35
49	49		1302644-00	226.0	.25 W 1.0 % RN55D-F10	R36
50	50		1300447-00	4.70 K	.25 W 5.0 % CC	R37
51	51		1300316-00	470.0	.25 W 5.0 % CC	R38,R40,R41
52	52		1301477-00	82.0	.25 W 5.0 % CC	R9,R39
53	53		1510969-00	2N 5038	NFN 140WC SI 90 50 Y	R27
54	54		1512790-00	D 44C12	NFN 30W SI	Q1
55	55		1510705-00	XA 05	NFN 500MW SI 60 50 P	Q2
56	56		1510706-00	XA 55	PNP 500MW SI 60 50 P	Q3,Q5,Q10
57	57		1510877-00	2N 6028	UJT 300MW R67B	Q4,Q6
58	58		1510928-00	C32AX135	SCR@100V I=25A	Q7
59	59		1512212-00	DEC8098	NFN 350MW SI 60 50	Q8
60	60		1614205-00	250.0 UH	10% 10A	Q9
61	61		1614206-00	PULSE XFMR,	RATIO 1:12:60 TOROID	L1
62	62		1911944-00	555CN	TIMER,FUNCT.BLOCK	T1
63	63		1910282-00	301AN	OP AMP	E1,E2
64	64		9009676-00	TERM LUG	1POS SOLDER	E3,E4
65	65		9006024-01	SCREW,PAN,PHIL	6-32X 1/2 SS	
66	66		9006558-00	NUT,HEX	6-32X5/16AF X 7/	
67	67		9007801-00	WASHER, LOCK,	S.S. #6	
68	68		9006022-01	SCREW,PAN,PHIL	6-32X 3/8 SS	
69	69		1214255-01	HEAT SINK,	SINGLE, T03	
70	70		1213071-02	INSULATOR,RUBBER	SILICONE SM	
71	71		9006023-01	SCREW,PAN,PHIL	6-32X 7/16 SS	
72	72		9006653-00	WASHER, FLAT,	.375 O.D. X .156 I	
73	73		1301425-00	300.0	.25 W 5.0 % CC	R32
74	74		1301320-00	1.20 K	.25 W 5.0 % CC	R44

D	I	G	I	T	A	L	TITLE	SECTION A OF A	SIZE	CODE	DOCUMENT NUMBER	REV
							+12V REGULATOR		K	PL	5412556-0-DBP	C

TW

LINE ITEM DOCUMENT NUMBER PART NUMBER DESCRIPTION QTY PER VARIATION REFERENCE DESIGNATOR
 00

75 NOTE: 10-14228-00 ALTERNATE PART 1014228-01 1 C1
 76 NOTE: 10-14229-00 ALTERNATE PART 1014229-01 1 C14

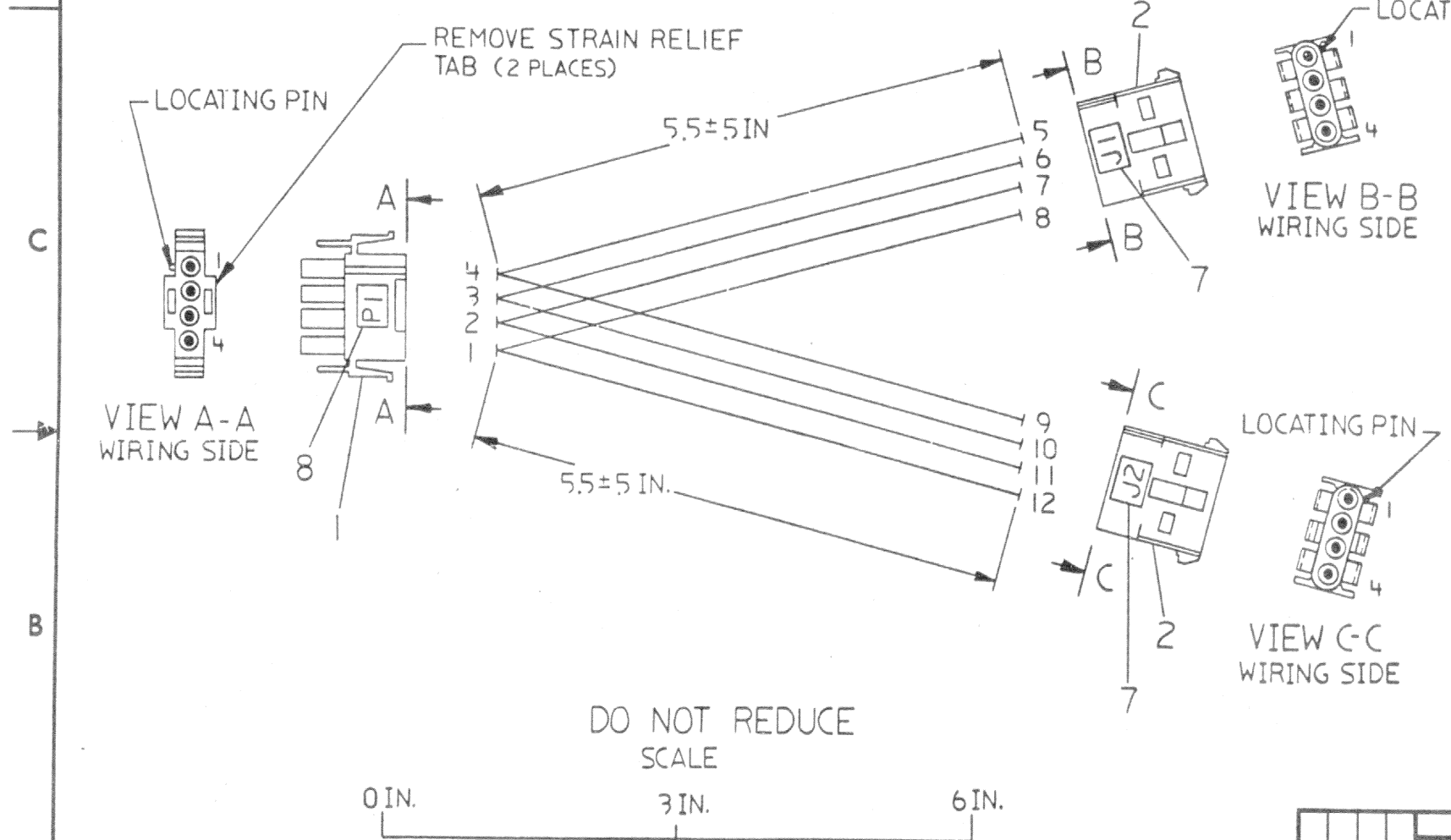
D	I	G	I	T	A	L	TITLE		SECTION A OF A	SIZE	CODE	DOCUMENT NUMBER	REV
							+12V REGULATOR			K	PL	5412556-0-DBP	C

TW

THIS DRAWING AND SPECIFICATIONS HEREIN ARE THE PROPERTY OF DIGITAL EQUIPMENT CORPORATION AND SHALL NOT BE REPRODUCED OR COPIED OR USED IN WHOLE OR IN PART AS THE BASIS FOR THE MANUFACTURE OR SALE OF ITEMS WITHOUT WRITTEN PERMISSION. COPYRIGHT © 1981 DIGITAL EQUIPMENT CORPORATION

WIRE TABLE								
ITEM NO.	AWG	COLOR	FROM			TO		
			POINT	CONNECTOR	TERM	POINT	CONNECTOR	TERM
5	18	BLK	3	PI-2	4	6	J1-2	3
5		BLK	4	PI-1		10	J2-2	
6		RED	1	PI-4		5	J1-1	
6		RED	2	PI-3		9	J2-1	
						8	J1-4	
						12	J2-4	
						7	J1-3	
						11	J2-3	

NOTES:



CAUTION: OFF SHEET PARTS LIST SEE K-PL-7018513-0-DBP

DESCRIPTION	DRAWING NO.	PART NO.	ITEM NO.
UNLESS OTHERWISE SPECIFIED DIMENSIONS ARE IN INCHES AND THE FOLLOWING TOLERANCES APPLY (PER DEC STD 114)			
INCHES TOLERANCES	ANGLES ± ° 30'	APPLICABLE DIMENSION RANGE	DIMENSIONS RANGE IN INCHES
X ± .1 XX ± .02 XXX ± .005	SURFACE QUALITY	(CHECK OVER)	OVER TO 0.2 TO 1.2 ± .02 1.2 TO 4.9 ± .02 4.9 TO 12.5 ± .02 12.5 TO 48.0 ± .02 48.0 TO 66.0 ± .02
QUANTITY & VARIATION		✓	OVER TO 0.2 TO 1.2 ± .02 1.2 TO 4.9 ± .02 4.9 TO 12.5 ± .02 12.5 TO 48.0 ± .02 48.0 TO 66.0 ± .02
THIRD ANGLE PROJECTION		DATE	TITLE
DO NOT SCALE DRAWING		DATE	BATTERY PWR DIST. HARNESS
REMOVE BURRS AND BREAK SHARP CORNERS		DATE	
MATERIAL SEE PARTS LIST		DATE	DOCUMENT NUMBER
FINISH		DATE	SIZE CODE NUMBER
NEXT HIGH-ER DOC.		DATE	REV

C IA 7018513-0-0

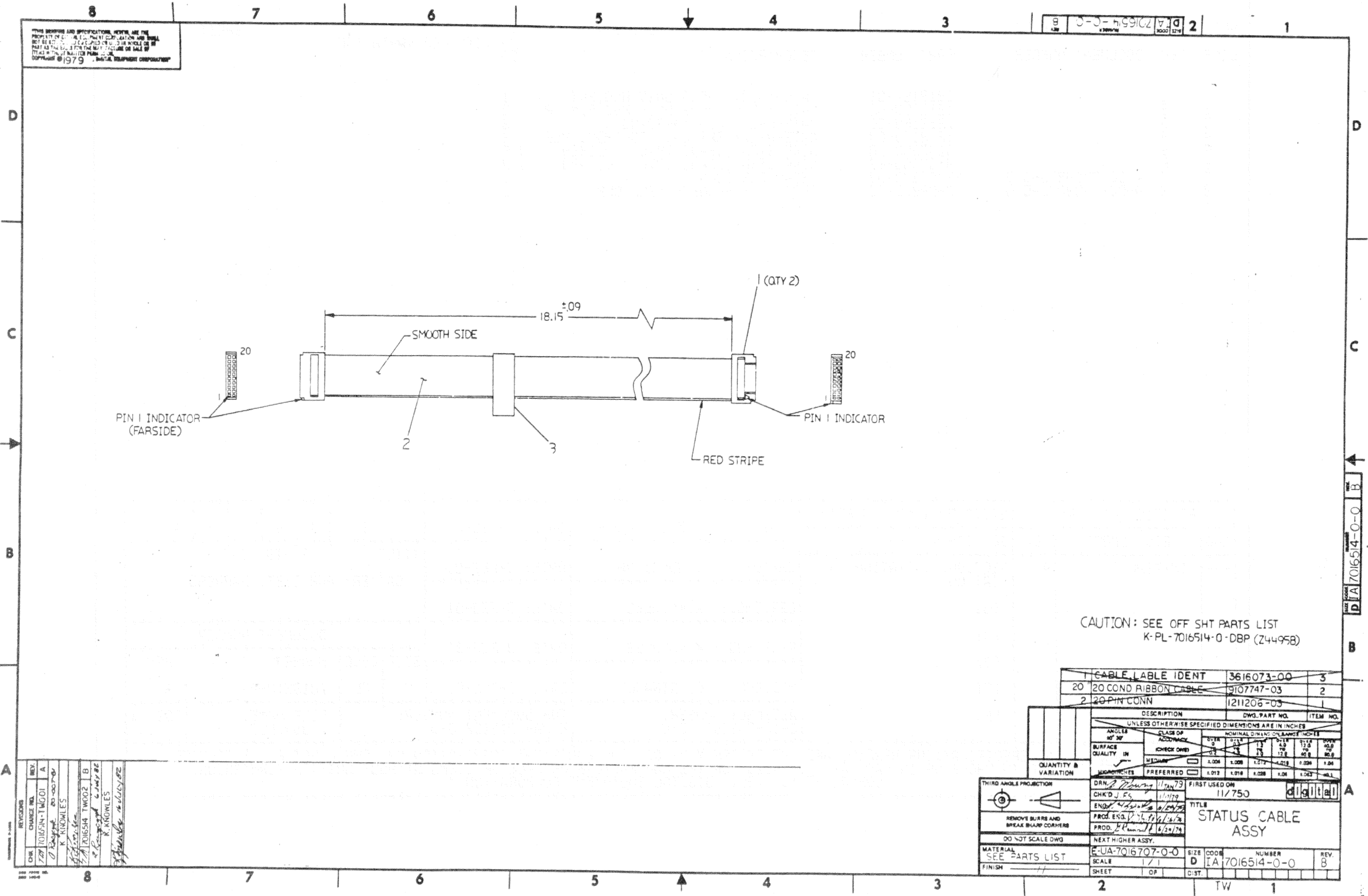
REV A

LINE ITEM	DOCUMENT NUMBER	PART NUMBER	DESCRIPTION	QUANTITY PER VARIATION
1		1212167-01	MATE-N-LOK 4POS UNIV HSG,SKT	1
1		1212169-02	MATE-N-LOK 4POS UNIV HSG,PIN OR	2
1		1212169-00	MATE-N-LOK PIN 14-20AWG	2
1		1212170-00	MATE-N-LOK SKT UNIV 20-14AWG REE	4
1		9107360-00	WIRE,STRND,18AWG,IPVC UL1429	A/R
1		9107360-22	WIRE,STRND,18AWG,IPVC UL1429	A/R
1	A-DC-7409873-0-0	7409873-02	DECAL PWR CONN	1
1	A-DC-7409872-0-0	7409872-02	DECAL PWR HARNESS [BLK/CLR]	1

REVISION HISTORY			BASIC PART NO: 7018513		DRN: T.MCCULLOUGH		DATE: 3-FEB-81		DIGITAL		
ENG	ECO NUMBER	REV	SECTION A OF A	CHK'D:	J.SULLIVAN	DATE:	3-FEB-81	TITLE	PARTS LIST		
	INITIAL	A	SECTION. VARIATION INDEX					BATTERY PWR DIST. HARNESS			
			[A] 00								
			[B]	DES.ENG.:	K.KNOWLES	DATE:	3-FEB-81				
			[C]	RESP.ENG.:	K.KNOWLES	DATE:	3-FEB-81				
			[D]	MFG.ENG.:	G.RAINAULT	DATE:	3-FEB-81	SIZE	CODE	NUMBER	REV
			[E]	ASSEMBLY NUMBER:	C-IA-7018513-0-0	TOP DOCUMENT NUMBER:	E-UA-7016157-0-0	K	PL	7018513-0-0	A
			[F]			FILE NAME:	21864.PLS				EDIT #
											12

"THIS DRAWING AND SPECIFICATIONS HEREIN, ARE THE PROPERTY OF DIGITAL EQUIPMENT CORPORATION AND SHALL NOT BE REPRODUCED OR COPIED OR USED IN WHOLE OR IN PART AS THE BASIS FOR THE MANUFACTURE OR SALE OF ITEMS WITHOUT WRITTEN PERMISSION. COPYRIGHT (C) 1981. DIGITAL EQUIPMENT CORPORATION"

THIS DRAWING AND SPECIFICATIONS HEREBY ARE THE PROPERTY OF DIGITAL EQUIPMENT CORPORATION AND SHALL NOT BE REPRODUCED, COPIED, EITHER WHOLLY OR IN PART, OR TRANSMITTED IN ANY FORM OR BY ANY MEANS, ELECTRONIC OR MECHANICAL, INCLUDING PHOTOCOPYING, RECORDING, OR BY ANY INFORMATION STORAGE AND RETRIEVAL SYSTEM, WITHOUT THE WRITTEN PERMISSION OF DIGITAL EQUIPMENT CORPORATION.



CAUTION: SEE OFF SHT PARTS LIST
K-PL-7016514-0-DBP (244958)

1	CABLE LABEL IDENT	3616073-00	3
20	20 COND RIBBON CABLE	9107747-03	2
2	20 PIN CONN	1211206-03	1

DESCRIPTION	DWG. PART NO.	ITEM NO.
UNLESS OTHERWISE SPECIFIED DIMENSIONS ARE IN INCHES		
ANGLE 45°/30°	CLASS OF SURFACE FINISH	NOMINAL DIMENSIONS TOLERANCES
SURFACE QUALITY IN	CHECK ONE	SIZE 0 1 2 3 4 5 6 7 8 9 10 11 12 13 14 15 16 17 18 19 20 21 22 23 24 25 26 27 28 29 30 31 32 33 34 35 36 37 38 39 40 41 42 43 44 45 46 47 48 49 50 51 52 53 54 55 56 57 58 59 60 61 62 63 64 65 66 67 68 69 70 71 72 73 74 75 76 77 78 79 80 81 82 83 84 85 86 87 88 89 90 91 92 93 94 95 96 97 98 99 100
QUANTITY & VARIATION	PREFERRED	1.004 1.008 1.012 1.016 1.020 1.024 1.028 1.032 1.036 1.040 1.044 1.048 1.052 1.056 1.060 1.064 1.068 1.072 1.076 1.080 1.084 1.088 1.092 1.096 1.100 1.104 1.108 1.112 1.116 1.120 1.124 1.128 1.132 1.136 1.140 1.144 1.148 1.152 1.156 1.160 1.164 1.168 1.172 1.176 1.180 1.184 1.188 1.192 1.196 1.200 1.204 1.208 1.212 1.216 1.220 1.224 1.228 1.232 1.236 1.240 1.244 1.248 1.252 1.256 1.260 1.264 1.268 1.272 1.276 1.280 1.284 1.288 1.292 1.296 1.300 1.304 1.308 1.312 1.316 1.320 1.324 1.328 1.332 1.336 1.340 1.344 1.348 1.352 1.356 1.360 1.364 1.368 1.372 1.376 1.380 1.384 1.388 1.392 1.396 1.400 1.404 1.408 1.412 1.416 1.420 1.424 1.428 1.432 1.436 1.440 1.444 1.448 1.452 1.456 1.460 1.464 1.468 1.472 1.476 1.480 1.484 1.488 1.492 1.496 1.500

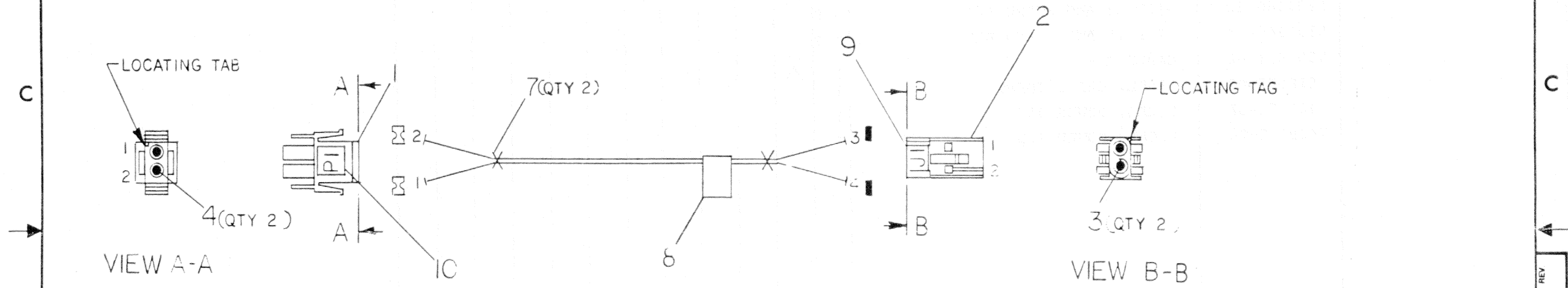
THIRD ANGLE PROJECTION	DRN: <i>[Signature]</i> 11/20/79	FIRST USED ON	11/750
REMOVE BURRS AND BREAK SHARP CORNERS	CHK'D: J.E.S. 11/21/79	TITLE	STATUS CABLE ASSY
DO NOT SCALE DWG	PROC. ENG. <i>[Signature]</i> 11/21/79	SCALE	1/1
MATERIAL SEE PARTS LIST	NEXT HIGHER ASSY.	SIZE	D
FINISH		COOR	IA
		NUMBER	7016514-0-0
		REV.	B

REV.	CHANGE NO.	BY	DATE
A		J. JOHNSON	10-20-79
B		K. KNOWLES	11-20-79
C		K. KNOWLES	11-20-79
D		K. KNOWLES	11-20-79

THIS DRAWING AND SPECIFICATIONS, HEREIN, ARE THE PROPERTY OF DIGITAL EQUIPMENT CORPORATION AND SHALL NOT BE REPRODUCED OR COPIED OR USED IN WHOLE OR IN PART AS THE BASIS FOR THE MANUFACTURE OR SALE OF ITEMS WITHOUT WRITTEN PERMISSION.
 COPYRIGHT © 1979 DIGITAL EQUIPMENT CORPORATION

SIZE CODE: C
 NUMBER: A 7016910-0-0
 REV: 1

ITEM NO	DESCRIPTION		FROM			TO			PRECUT LENGTH
	AWG	COLOR	POINT	CONNECTION	TERM	POINT	CONNECTION	TERM	
5	18	RED	2	PI-2	4	3	JI-2	3	8.00 ± .50
6	18	BLK	1	PI-1	4	4	JI-1	3	8.00 ± .50



CAUTION: OFF SHEET PARTS LIST
 SEE B-PL-7016910-0-0

DATE	ECO NUMBER	REV
		*
	ORIGINAL LOST	
	RE-DRAWN	
	REVISED	

DESCRIPTION	DRAWING NO.	PART NO.	ITEM NO.
UNLESS OTHERWISE SPECIFIED DIMENSIONS ARE IN INCHES AND THE FOLLOWING TOLERANCES APPLY (PER DEC-STD 114)			
INCHES TOLERANCES	ANGLES ± 0°-90°	APPLICABLE DIMENSION RANGE (CHECK ONE)	
		OVER 0 TO 0.2	OVER 0.2 TO 1.2
SURFACE QUALITY	MICROINCHES	OVER 1.2 TO 4.0	OVER 4.0 TO 12.0
		OVER 4.0 TO 12.0	OVER 12.0 TO 40.0
QUANTITY & VARIATION			
X = ± 1			
XX = ± 02			
XXX = ± 005			
THIRD ANGLE PROJECTION	DRN: A. MOWRY 2/7/80	TITLE: digital	
DO NOT SCALE DRAWING	CHKD: K. KNOWLES 2/7/80	2.5V SENSE	
REMOVE BURRS AND BREAK SHARP CORNERS	DES ENG: J. B. DAVIS JR. 2/7/80	HARNES ASSY	
MATERIAL: SEE PARTS LIST	RESP ENG: R. MARTEL 2/7/80	DOCUMENT NUMBER	
FINISH: #	WFO ENG: C. BESSETT 2/7/80	C/A 7016910-C-0	
	NEXT HIGHER DOC: E-AD-7016157-0-0	SCALE: 1/1	SHEET 1 OF 1

DIGITAL EQUIPMENT CORPORATION PARTS LIST

MADE BY DATE A. MOWRY 12/FEB/80	CHECKED K. KNOWLES DATE 12/FEB/80	SECTION ---
ENG DATE R. MARTEL 12/FEB/80	PROD C. BESSETT DATE 12/FEB/80	ISSUED SECTION ---

QUANTITY / VARIATION

NOTES:

7016910-00

ITEM NO.	DRAWING NO.	PART NO.	DESCRIPTION
1		1212167-02	2 PIN UNIV HSG MATE-N-LOK
2		1212168-01	2 PIN UNIV HSG MATE-N-LOK
3		1212169-00	PIN, UNIV 14-20 AWG MATE-N-LOK
4		1212170-03	SOCKET, UNIV MATE-N-LOK
5		9107360-22	WIRE 18 AWG STRND RED
6		9107360-00	WIRE 18 AWG STRND BLK
7		9007031-00	CABLE TIE
8		3616073-00	LABEL, CABLE IDENT
9		7409873-02	DECAL, POWER JACK
10		7409872-02	DECAL, POWER PLUG

1																				
---	--	--	--	--	--	--	--	--	--	--	--	--	--	--	--	--	--	--	--	--

REF DESIGNATION

E.C.O. NO.

"THIS DRAWING AND SPECIFICATIONS, HEREIN, ARE THE PROPERTY OF DIGITAL EQUIPMENT CORPORATION AND SHALL NOT BE REPRODUCED OR COPIED OR USED IN WHOLE OR IN PART AS THE BASIS FOR THE MANUFACTURE OR SALE OF ITEMS WITHOUT WRITTEN PERMISSION. COPYRIGHT © DIGITAL EQUIPMENT CORPORATION"

TITLE
2.5V SENSE HARNESS ASSY

ASSY NO.
C-IA-7016910-0-0

SIZE
B CODE
PL

NUMBER
7016910-0-0

REV.

SHEET **1** OF **1**

INSERTION PARTS LIST DATA BASE REV

TW

DRAWING NO.	NO. OF SHTS.	PART NO.	DESCRIPTION	REVISIONS															
				A	B	C	D	E	F	H									
D-UA-5412550-0-0	3		MOTHER BD. STAR (H7100)	A	B	C	D	E	F	H									
K-PL-5412550-0-DBP	2		PARTS LIST DATA BASE	A	B	C	D	E	F	H									
D-CS-5412550-0-	1		MOTHER BD. STAR (H7100)	A	B	C	D	E	F	H									
D-MD-5012549-0-0	4		DRILL & ETCH DRAWING	A	A	A	A	B	B	B									
		5012549	ETCHED BOARD	B	B	B	B	C	C	C									
5412550-0-L			P.C. DISING DATA BASE	REF	-	-	-	-	-	-									
5412550-0-PL			INSERTION P/L DATA BASE.	REF	-	-	-	-	-	-									

NOTES:

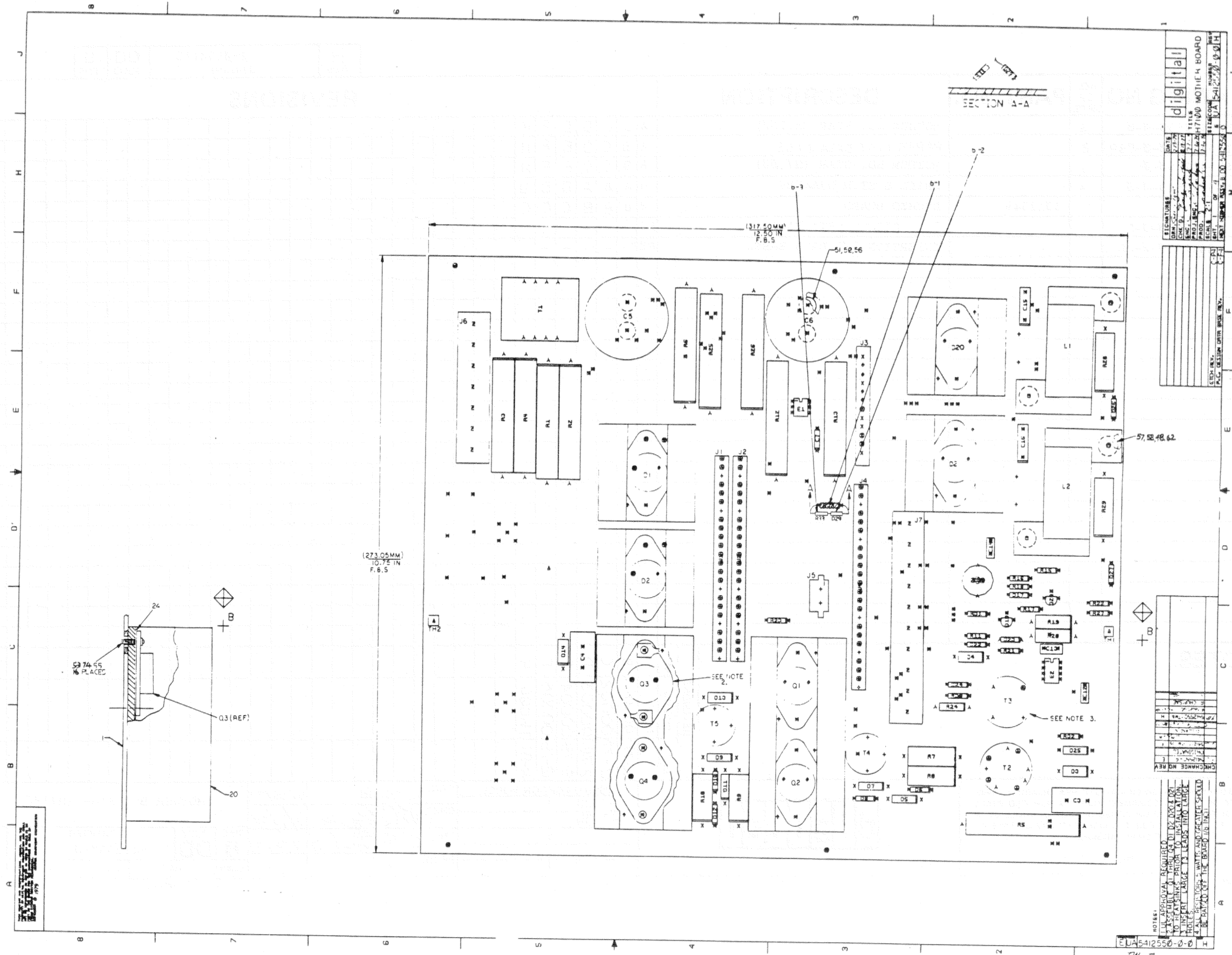
DATE	CHG NO.	REV.	*	REVISIONS												
				A	B	C	D	E	F	H						
10-77	00001		B													
12-77	00002		C													
2-78	00003		D													
6-79	00004		E													
12-79	00005		F													
9-81	TW006		H													

"THIS DRAWING AND SPECIFICATIONS, HEREIN, ARE THE PROPERTY OF DIGITAL EQUIPMENT CORPORATION AND SHALL NOT BE REPRODUCED OR COPIED OR USED IN WHOLE OR IN PART AS THE BASIS FOR THE MANUFACTURE OR SALE OF ITEMS WITHOUT WRITTEN PERMISSION.
 COPYRIGHT © 1977 DIGITAL EQUIPMENT CORPORATION

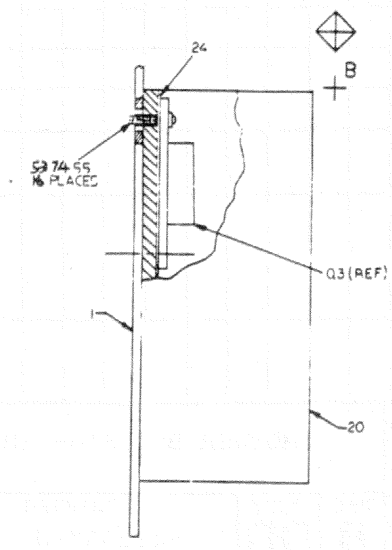


USED ON OPTION/MODEL		DRN. A. GOLON	6/16/77	TITLE	MOTHER BD. STAR (H7100)		
H7100		CHK'D	9/7/77	SIZE	CODE	NUMBER	REV.
H7104		ENG. CS Landis	7 SEP 77	B	DD	5412550-0	H
		PROD.		SHEET 1 OF 1			

TW



DATE: 11/27/72
 DESIGNED BY: J. J. ...
 CHECKED BY: ...
 APPROVED BY: ...
 TITLE: H7100 MOTHEM BOARD
 PART 1 OF 1
 U.S. AIR FORCE
 MILITARY AERONAUTICAL SYSTEMS DIVISION
 WPAFB, OHIO 43123-5000



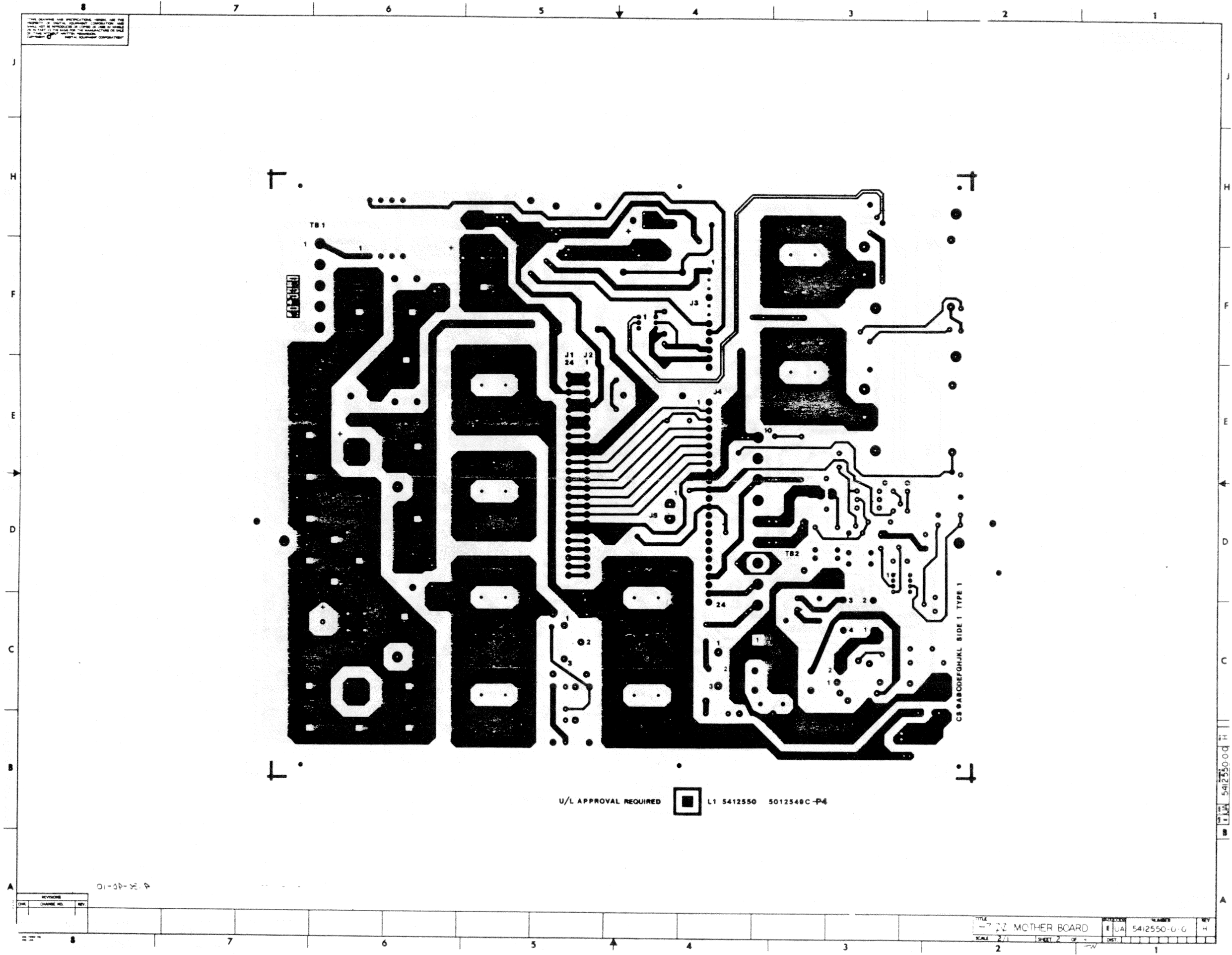
NOTES:
 1. ALL APPROVALS REQUIRED.
 2. ASSEMBLY OF THIS BOARD SHALL BE IN ACCORDANCE WITH THE DRAWING.
 3. THIS BOARD IS TO BE INSTALLED IN THE H7100 MOTHEM BOARD.
 4. ALL RESISTOR 1/8 WATT AND CAPACITOR 50V SHALL BE PLACED OFF THE BOARD 1/8 INCH.

REV.	NO.	DESCRIPTION
1		INITIAL RELEASE
2		REVISIONS
3		REVISIONS
4		REVISIONS
5		REVISIONS
6		REVISIONS
7		REVISIONS
8		REVISIONS
9		REVISIONS
10		REVISIONS

DATE:	11/27/72
DESIGNED BY:	J. J. ...
CHECKED BY:	...
APPROVED BY:	...
TITLE:	H7100 MOTHEM BOARD
PART 1 OF 1	
U.S. AIR FORCE	
MILITARY AERONAUTICAL SYSTEMS DIVISION	
WPAFB, OHIO 43123-5000	

EUA5412550-0-0

THIS DRAWING AND SPECIFICATIONS SHALL BE THE PROPERTY OF THE COMPANY. IT IS TO BE USED ONLY FOR THE PURPOSES SPECIFIED AND IS NOT TO BE REPRODUCED OR TRANSMITTED IN ANY FORM OR BY ANY MEANS, ELECTRONIC OR MECHANICAL, INCLUDING PHOTOCOPYING, RECORDING, OR BY ANY INFORMATION STORAGE AND RETRIEVAL SYSTEM, WITHOUT THE WRITTEN PERMISSION OF THE COMPANY.



U/L APPROVAL REQUIRED ■ L1 5412550 5012548C-P4

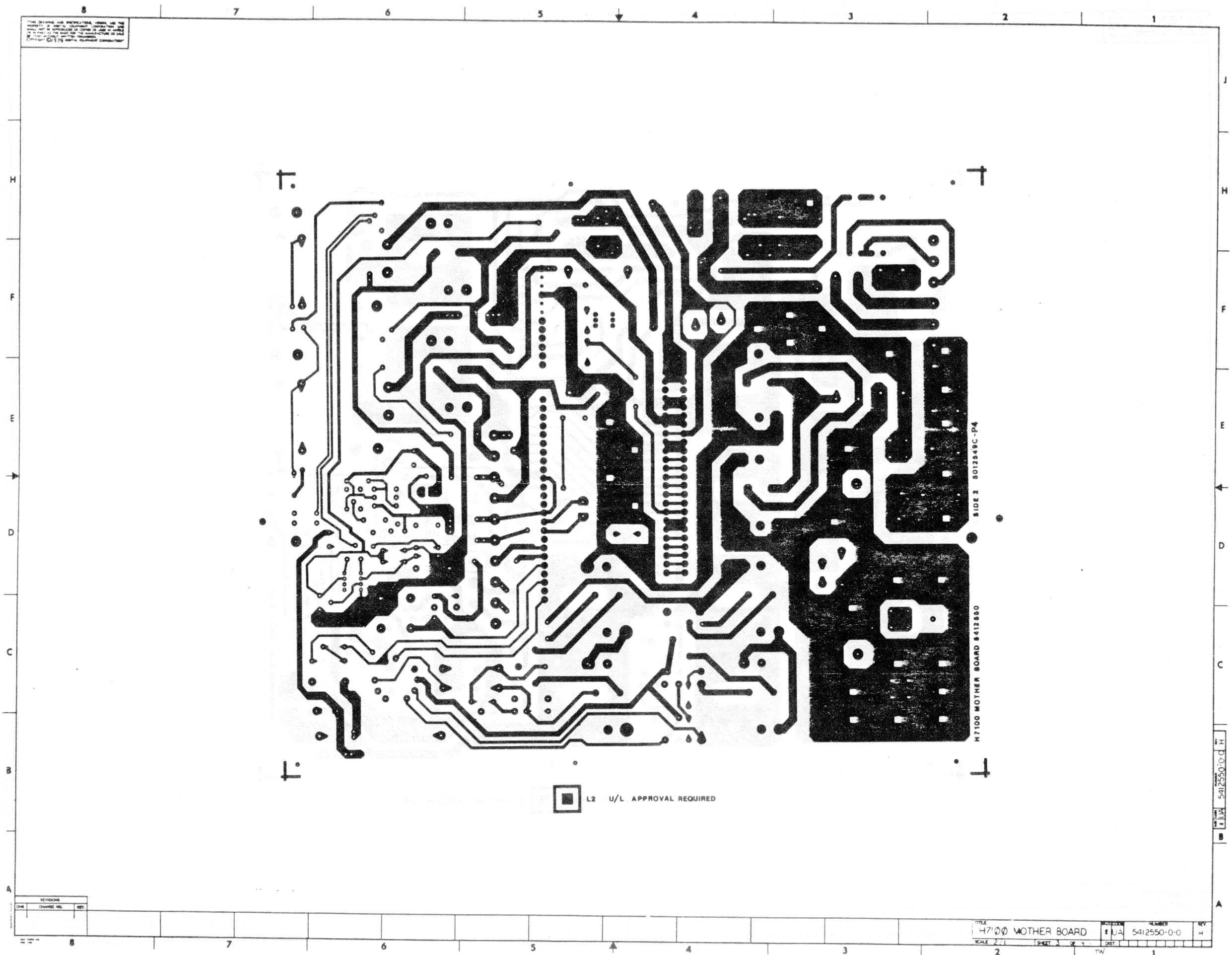
REV	DESCRIPTION	DATE

01-00-00-0

TITLE	5412550 MOTHER BOARD	DESIGNED BY	LA	REVISION	0-0	DATE	
SCALE	2/1	SHEET	2	OF			

LA 5412550.dwg

THESE DRAWINGS AND SPECIFICATIONS SHALL BE THE PROPERTY OF THE U.S. GOVERNMENT. NO PART OF THIS DRAWING IS TO BE REPRODUCED OR TRANSMITTED IN ANY FORM OR BY ANY MEANS, ELECTRONIC OR MECHANICAL, INCLUDING PHOTOCOPYING, RECORDING, OR BY ANY INFORMATION STORAGE AND RETRIEVAL SYSTEM, WITHOUT PERMISSION IN WRITING FROM THE U.S. GOVERNMENT PRINTING OFFICE.

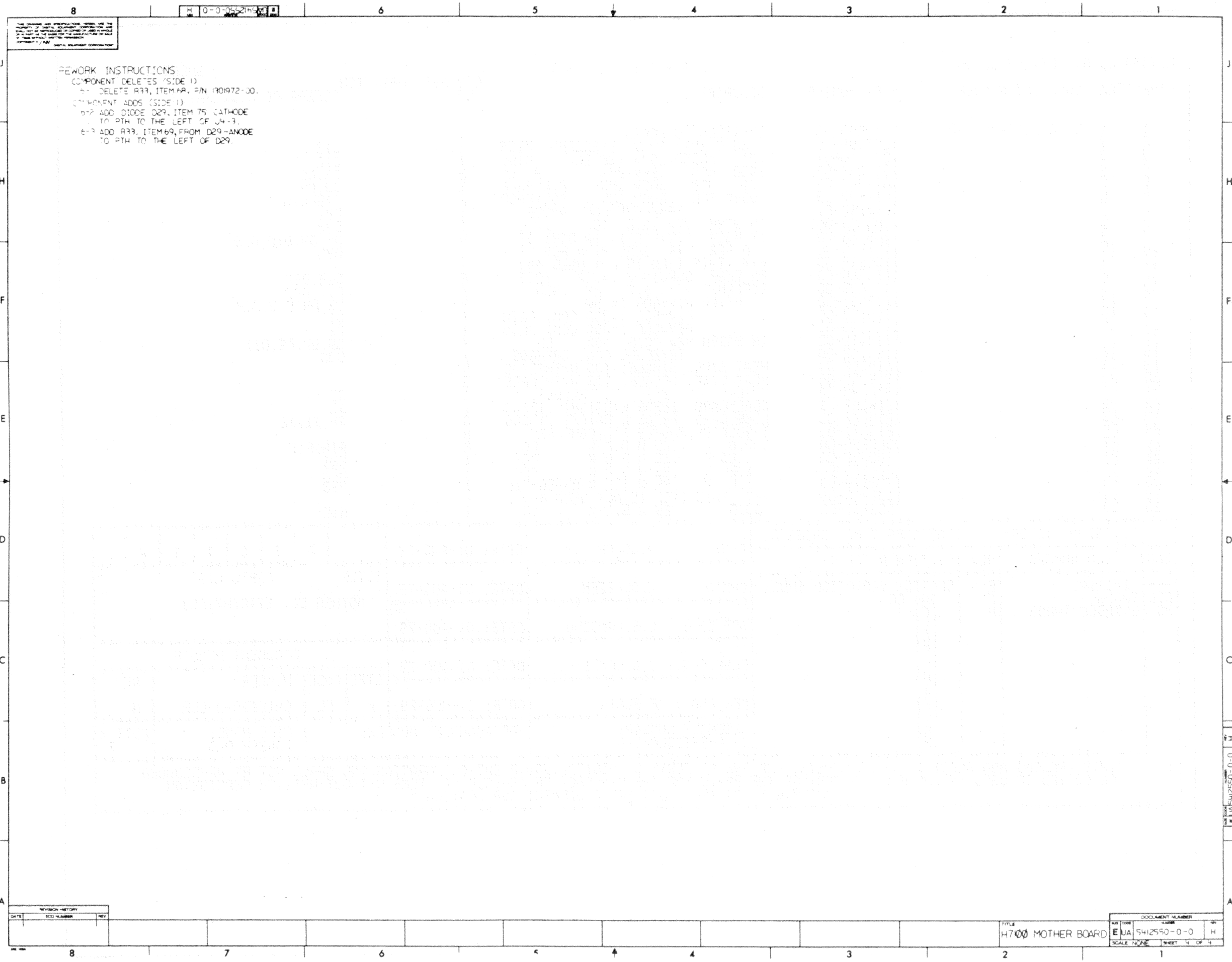


■ L2 U/L APPROVAL REQUIRED

TITLE: M7100 MOTHER BOARD
 DRAWING NO: 5412550-0-0
 SCALE: 2/1
 SHEET 3 OF 4
 DESIGNED BY: TW
 CHECKED BY: H

REVISIONS		
NO.	CHANGE	BY

5412550-0-0 H



THE INFORMATION CONTAINED HEREIN IS UNCLASSIFIED EXCEPT WHERE SHOWN OTHERWISE AND IS NOT TO BE REPRODUCED IN FORM OR BY ANY MEANS, ELECTRONIC OR MECHANICAL, INCLUDING PHOTOCOPYING, RECORDING, OR BY ANY INFORMATION STORAGE AND RETRIEVAL SYSTEM.

H 0-0-055219-00

REWORK INSTRUCTIONS
 COMPONENT DELETES (SIDE 1)
 1-1 DELETE R33, ITEM 69, P/N 1301972-00.
 COMPONENT ADDS (SIDE 1)
 1-2 ADD DIODE D29, ITEM 75, CATHODE
 TO PTH TO THE LEFT OF J4-3.
 1-3 ADD R33, ITEM 69, FROM D29-ANODE
 TO PTH TO THE LEFT OF D29.

REVISION HISTORY		
DATE	ECO NUMBER	REV

TITLE: MOTHER BOARD
 DOCUMENT NUMBER: 5412550-0-0
 SHEET 4 OF 4

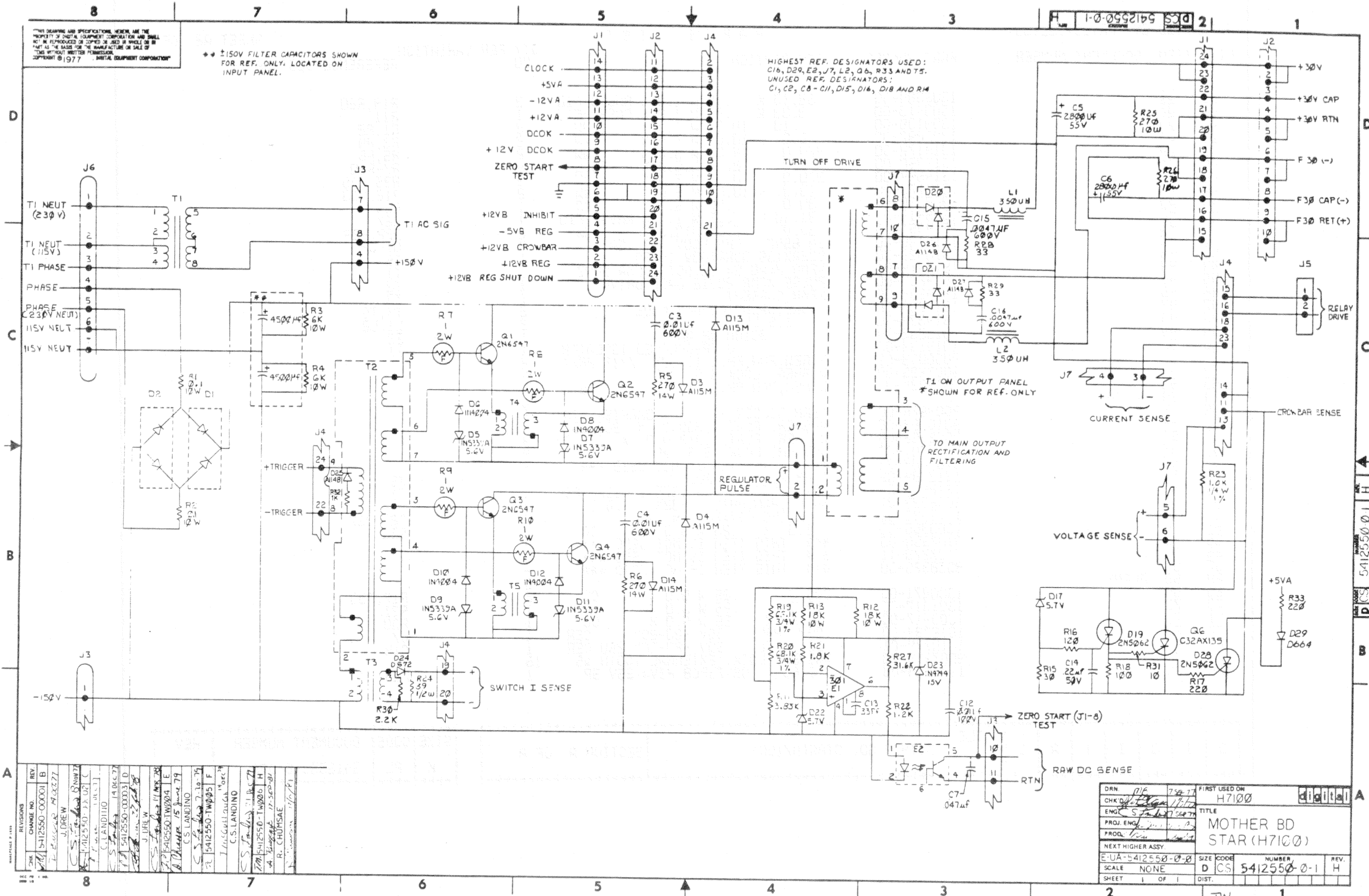
LINE	ITEM	DOCUMENT NUMBER	PART NUMBER	DESCRIPTION	QTY PER VARIATION	REFERENCE DESIGNATOR
		D-MD-5012549-0-0	5012549-00	54-12550 PC BOARD	1	
			1000009-00	33.0 MMF 100V 5%200PPM MICA	1	C13
			1001610-01	.01 MFD50/100V +80-20% DISC	1	C12
			1014337-00	2800 MFD 55V 20% AL EL	1	C5, C6
			1011847-02	.01 MFD 600V 10% POLYPROP	1	C3, C4
			1011847-03	.0047 MFD 600V 10% POLYPROP	1	C15, C16
			1114192-01	TR=200NS COM. ANODE	1	D21
			1105648-00	1N 4744 VZ= 15.0 10% 1W	1	D23
			1105796-00	1N 4004 PIV=400 I= 1A D041 SP	4	D6, D8, D10, D12
			1105275-00	D 672 TR= 15NS PIV= 60V SI	1	D24
			1109519-00	*** THIS ITEM IS NOT USED ***	1	
			1110968-00	2N 5062 SCR@100V I= .8A T092	1	D19, D28
			111205-00	SCREENED VZ= 5.7 2% .40W	2	D17, D22
			1112594-02	A115M PIV=600 I= 3A	4	D3, D4, D13, D14
			1114193-00	PIV=600 I=30A COM. CATH	1	D1
			1114193-01	PIV=600 I=30A COM. ANOD	1	D2
			1114196-00	1N 5339A VZ= 5.6 10% 5W	4	D5, D7, D9, D11
			1114192-00	TR=200NS COM. CATHODE	4	D20
			1214255-04	HEAT SINK, SINGLE, T03 W/THREADE	4	
			1214255-05	HEAT SINK, DOUBLE, T03 W/THREADE	2	
			1212297-00	MATE-N-LOK 2PIN UNIV HEADER	1	J5
			1214257-00	EDGE CARD 12POS STRAIGHT .156CC	1	J3
			1214257-02	EDGE CARD 24POS STRAIGHT .156CC	3	J4, J1, J2
			1213071-02	INSULATOR, RUBBER SILICONE SM	8	
			1300279-00	100.0 .25 W 5.0 % CC	2	R16, R18
			1300398-00	1.80 K .25 W 5.0 % CC	1	R21
			1301320-00	1.20 K .25 W 5.0 % CC	1	R22
			1303114-00	1.0 K .25 W 1.0 % RN55D-F10	1	R23
			1302466-00	*** THIS ITEM IS NOT USED ***	1	
			1302751-00	30.0 .25 W 5.0 % CC	1	R15

REVISION HISTORY		BASIC PART NO: 5412550		DRN: A.COLON	DATE: 01-AUG-79	DIGITAL	
ENG	ECO NUMBER	REV	SECTION A OF A	CHK'D: K.GLEEZEN	DATE: 01-AUG-79	TITLE PARTS LIST	
	INITIAL	E	SECTION VARIATION INDEX	DES.ENG: C.S.LANDINO	DATE: 01-AUG-79	MOTHER BD. STAR(H7100)	
CSL	TW005	F	[A] 00	RESP.ENG.: C.S.LANDINO	DATE: 01-AUG-79	DOCUMENT NUMBER	
RC	5412550-TW006	H	[B]	MFG.ENG.: E.BLAIN	DATE: 01-AUG-79	SIZE: K	PL: PL
			[C]	ASSEMBLY NUMBER:	TOP DOCUMENT NUMBER:	NUMBER: 5412550-0-DBP	REV: H
			[D]	D-UA-5412550-0-0		FILE NAME: 20628H.PLS	EDIT: 7
			[E]				
			[F]				
			[G]				
			[H]				
			[I]				
			[J]				
			[K]				
			[L]				
			[M]				
			[N]				

"THIS DRAWING AND SPECIFICATIONS HEREIN, ARE THE PROPERTY OF DIGITAL EQUIPMENT CORPORATION AND SHALL NOT BE REPRODUCED OR COPIED OR USED IN WHOLE OR IN PART AS THE BASIS FOR THE MANUFACTURE OR SALE OF ITEMS WITHOUT WRITTEN PERMISSION. COPYRIGHT (C) 1981. DIGITAL EQUIPMENT CORPORATION"

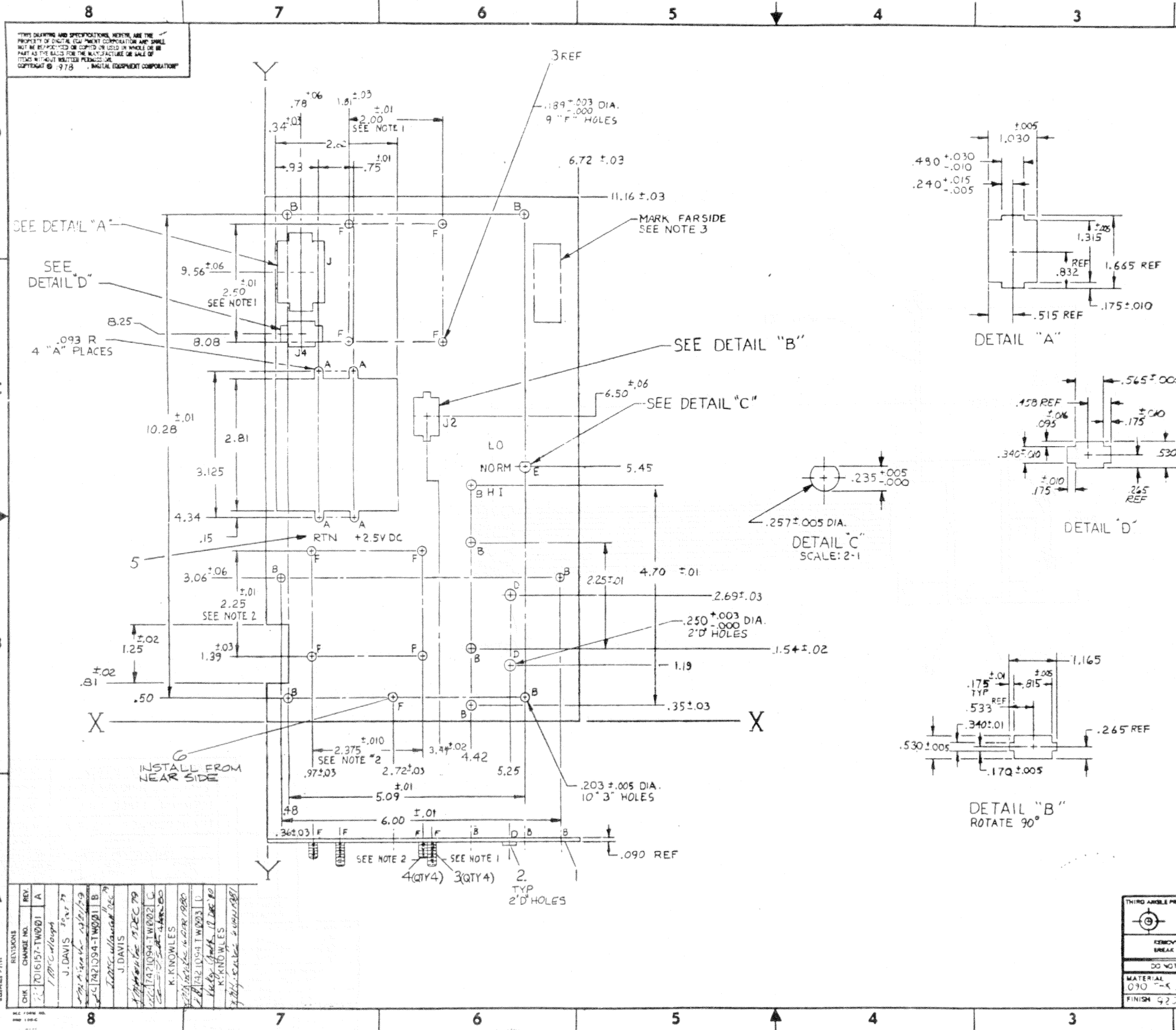
LINE	ITEM	DOCUMENT NUMBER	PART NUMBER	DESCRIPTION	QTY	PER VARIATION	REFERENCE DESIGNATOR
					00		
61	61		1302884-00	68.10 K .75 W 1.0 % RN65D-F10	2		R19, R20
62	62		1309413-00	3.83 K .25 W 1.0 % RN55D-F10	1		R11
63	63		1309108-00	.10 10.0 W 1.0 % WW	2		R1, R2
64	64		1303297-00	6.0 K 10.0 W 5.0 % WW	2		R3, R4
65	65		1314172-00	270.0 14.0 W 5.0 % WW	2		R5, R6
66	66		1314350-00	1.0 2.0 W 10.0 % FUSE	4		R7, R10
67	67		1314544-00	270.0 10.0 W 5.0 % WW	2		R25, R26
68	68		1314173-00	18.0 K 10.0 W 5.0 % WW	2		R12, R13
69	69		1302336-00	39.0 .50 W 5.0 % CC	1		R24
70	70		1305419-00	31.60 K .25 W 1.0 % RN55D-F10	1		R27
71	71		1314351-00	33.0 5.0 W 10.0 % WW	2		R28, R29
72	72		1514195-00	2N 6547 NPN 400V SI 15A	4		Q1-Q4
73	73		1510928-00	C32AX135 SCR 100V I=25A	1		Q6
74	74		1612919-01	XFMR P=AB S= 12.6CT 100MA 50HZ	1		T1
75	75		1614204-00	PULSE XFMR 20312 BASE DRIVE	1		T2
76	76		1614202-00	XFMR CURRENT	1		T3
77	77		1614203-00	CHOK, BALUN-COMMON MODE	2		T4, T5
78	78		1614334-00	1.6 UH 10A	2		L1, L2
79	79		1910282-00	301AN OP AMP	1		E2
80	80		1914194-00	OPTP-COUPLED ISOLATOR	1		E1
81	81		9000038-08	SCREW, PAN, PHIL 10-32X 7/16 BR/T	4		
82	82		9007906-00	WASHER, LOCK S.S. #10	4		
83	83		9006024-01	SCREW, PAN, PHIL 6-32X 1/2 SS	16		
84	84	BLANK	9009676-00	TERM SOLDER BARRIER STR	16		
85	85		9010164-00	WASHER, FLAT, .380 OD X .203 ID	4		
86	86		9006656-00	WASHER, FLAT, .312 O.D. X .156 I	4		
87	87		9007801-00	WASHER, LOCK, S.S. #6	4		
88	88		9107688-33	*** THIS ITEM IS NOT USED ***	1		
89	89		1212484-05	TERM BLOCK 7POS	1		J6
90	90		1212484-04	TERM BLOCK 10POS .375 SPACING PC	1		J7
91	91		9006023-01	SCREW, PAN, PHIL 6-32X 7/16 SS	4		
92	92		1112595-01	A1148 PIV=200 I=1A	3		D25-D27
93	93		1300365-00	1.0 K .25 W 5.0 % CC	1		R32
94	94		9107560-03	*** THIS ITEM IS NOT USED ***	1		
95	95		7107278-11	*** THIS ITEM IS NOT USED ***	1		
96	96		9008376-00	*** THIS ITEM IS NOT USED ***	1		
97	97	BLANK	1300271-00	220.0 .25 W 5.0 % CC	2		R17, R33
98	98		1301317-00	10.0 .25 W 5.0 % CC	1		R31
99	99		1300417-00	2.20 K .25 W 5.0 % CC	1		R30
100	100		1012784-00	.047 MFD 50V +80-20% CER	1		C7
101	101		1010274-01	.22 MFD 50V +80-20% Z5U CER	1		C14
102	102		9007649-00	WASHER, LOCK, EXTERNAL TOOTH #6	16		
103	103		1100114-00	D 664 QS 75PCB PIV= 25V SP	1		D29

D	I	G	I	T	A	L	TITLE	MOTHER BD. STAR(H7100)	SECTION A OF A	SIZE	CODE	DOCUMENT NUMBER	REV
										K	PL	5412550-0-DBP	H

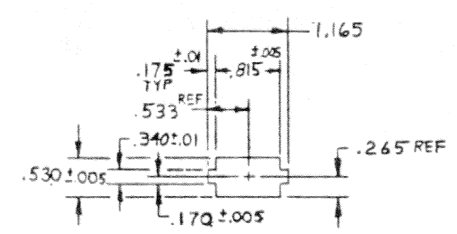
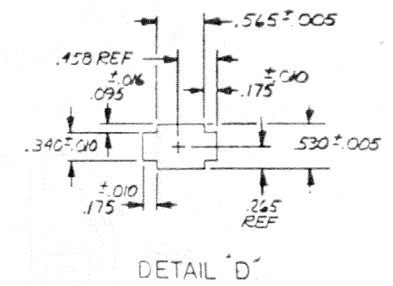
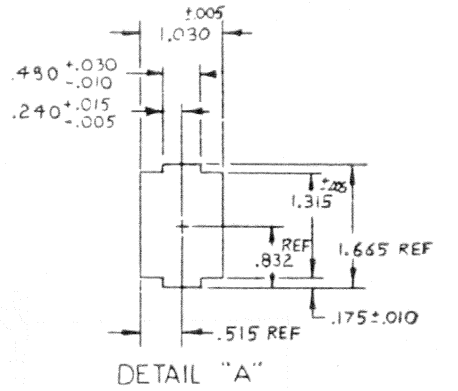


REV	CHANGE NO.	BY	DATE
1	5412550-00001	B	11/22/77
2	5412550-00002	M	1/22/78
3	5412550-00003	J	1/22/78
4	5412550-00004	J	1/22/78
5	5412550-00005	J	1/22/78
6	5412550-00006	J	1/22/78
7	5412550-00007	J	1/22/78
8	5412550-00008	J	1/22/78

DRN	D16	7/22/77	FIRST USED ON	H7100
CHK	D16	11/22/77	TITLE	MOTHER BD
ENG	S. F. ...	11/22/77		STAR (H7100)
PROJ. ENG.				
PROD.				
NEXT HIGHER ASSY				
E-UA-5412550-0-0	SIZE	CODE	NUMBER	REV.
SCALE	NONE	D	CS	5412550-0-1
SHEET	1	OF	1	H



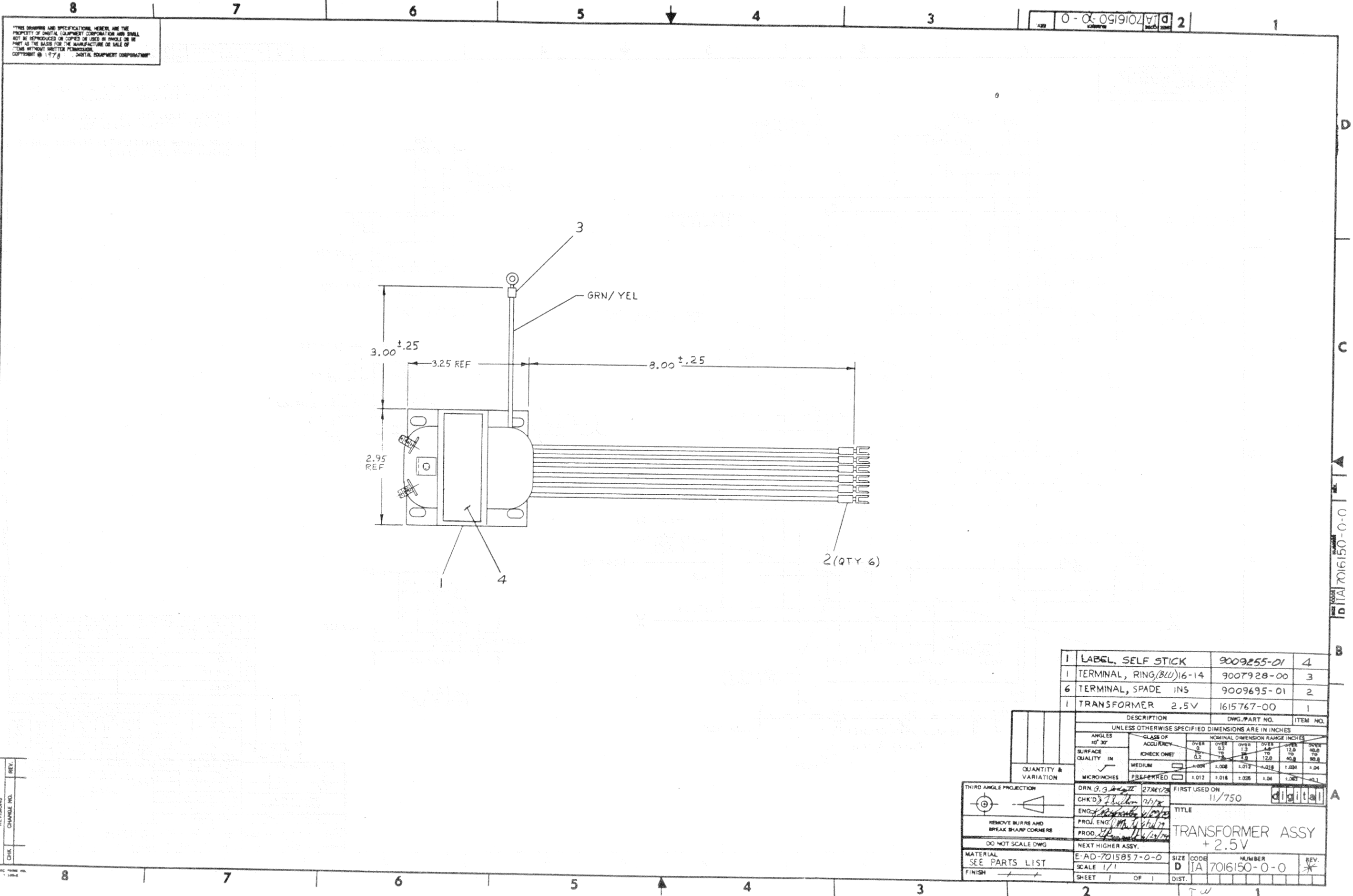
- NOTES:
1. INSTALL STUDS (ITEM #3) AS SHOWN, IN THE HOLE PATTERN INDICATED.
 2. INSTALL STUDS (ITEMS #6) AS SHOWN, IN THE HOLE PATTERN INDICATED.
 3. MARK VENDOR IDENTIFICATION APPROX WHERE SHOWN PER DEC STD 178.



REV	DATE	BY	CHK	DESCRIPTION
1	10/15/71	J. DAVIS	J. DAVIS	ISSUE FOR FAB
2	11/15/71	J. DAVIS	J. DAVIS	REVISED TO ADD .093 R
3	12/15/71	J. DAVIS	J. DAVIS	REVISED TO ADD .093 R
4	1/15/72	J. DAVIS	J. DAVIS	REVISED TO ADD .093 R
5	2/15/72	J. DAVIS	J. DAVIS	REVISED TO ADD .093 R
6	3/15/72	J. DAVIS	J. DAVIS	REVISED TO ADD .093 R
7	4/15/72	J. DAVIS	J. DAVIS	REVISED TO ADD .093 R
8	5/15/72	J. DAVIS	J. DAVIS	REVISED TO ADD .093 R

QTY	DESCRIPTION	DWG. PART NO.	ITEM NO.
1	STUD #10-32 x .375	9009336-00	6
1	SILK SCREEN	C-55-7421094-0-1	5
4	STUD #10-32 x .50	9009872-00	4
4	STUD #10-32 x .75	9009590-00	3
2	INSERT #10-32	9008867-00	2
1	PANEL, TOP		1

THIRD ANGLE PROJECTION		FIRST USED ON	
DRN. J. DAVIS	11/750	11/750	digital
CHK'D J. DAVIS			
ENG. J. DAVIS			
PROL. ENG. J. DAVIS			
PROD. J. DAVIS			
DO NOT SCALE DWG.		NEXT HIGHER ASSY.	
MATERIAL 090 5052-432 ALUM	SIZE D	CODE TA	NUMBER 7421094-0-0
FINISH 92020(0-00)	SCALE 1/1	DIST.	REV. D
SHEET 1 OF 1		T-1	



THIS DRAWING AND SPECIFICATIONS HEREBY ARE THE PROPERTY OF DIGITAL EQUIPMENT CORPORATION AND SHALL NOT BE REPRODUCED OR COPIED OR USED IN WHOLE OR IN PART AS THE BASIS FOR THE MANUFACTURE OR SALE OF ITEMS WITHOUT WRITTEN PERMISSION.
 COPYRIGHT © 1978 DIGITAL EQUIPMENT CORPORATION

0-0-091910/1/1/0 2

1	LABEL, SELF STICK	9009255-01	4
1	TERMINAL, RING, (BLU) 16-14	9007928-00	3
6	TERMINAL, SPADE INS	9009695-01	2
1	TRANSFORMER 2.5V	1615767-00	1

DESCRIPTION	DWG. PART NO.	ITEM NO.
UNLESS OTHERWISE SPECIFIED DIMENSIONS ARE IN INCHES		
ANGLES 10° 30'	CLASS OF ACCURACY	NOMINAL DIMENSION RANGE INCHES
SURFACE QUALITY IN	CHECK OMIT	OVER 0 TO 0.2
MEDIUM	<input checked="" type="checkbox"/>	0.2 TO 1.2
MICROINCHES	PREFERRED	1.2 TO 12.0
		12.0 TO 48.0
		48.0 TO 96.0
		96.0 TO 192.0

THIRD ANGLE PROJECTION

REMOVE BURRS AND BREAK SHARP CORNERS

DO NOT SCALE DWG

MATERIAL SEE PARTS LIST

FINISH

DRN. G. B. [Signature] 27 MAY 78

CHK'D [Signature] 27 MAY 78

ENG. [Signature] 27 MAY 78

PROJ. ENG. [Signature] 27 MAY 78

PROD. [Signature] 27 MAY 78

FIRST USED ON 11/750 digital

TITLE TRANSFORMER ASSY + 2.5V

NEXT HIGHER ASSY.

E-AD-7015857-0-0

SCALE 1/1

SHEET 1 OF 1

SIZE CODE D

NUMBER TA 7016150-0-0

REV. *

2 TW 1

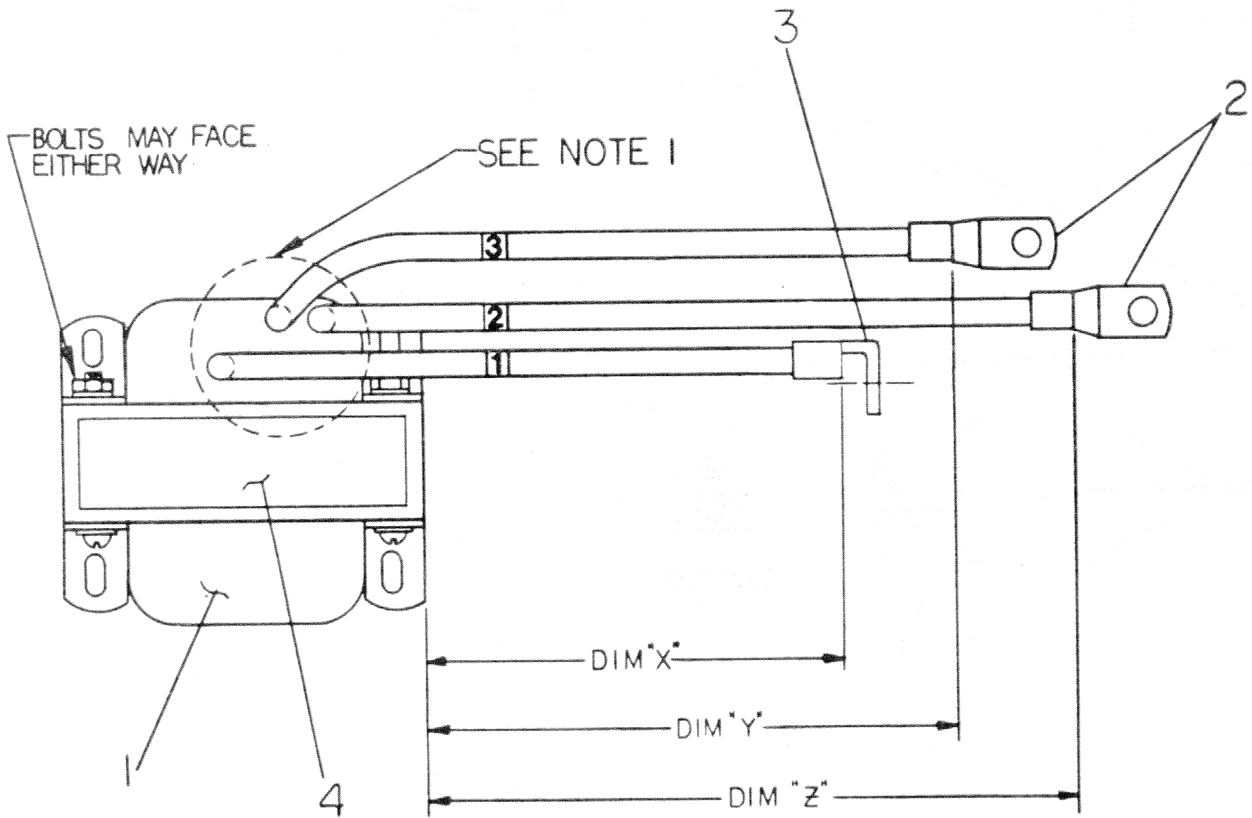
DIGITAL 7016150-0-0

"THIS DRAWING AND SPECIFICATIONS HEREIN ARE THE PROPERTY OF DIGITAL EQUIPMENT CORPORATION AND SHALL NOT BE REPRODUCED OR COPIED OR USED IN WHOLE OR IN PART AS THE BASIS FOR THE MANUFACTURE OR SALE OF ITEMS WITHOUT WRITTEN PERMISSION. COPYRIGHT © 1977, DIGITAL EQUIPMENT CORPORATION"

LEGEND			
VARIATION	DIM "X"	DIM "Y"	DIM "Z"
7014417-00	3.75 ^{+0.25} _{-0.00}	4.75 ^{+0.25} _{-0.00}	6.25 ^{+0.25} _{-0.00}
7014417-01	2.75 ^{+0.25} _{-0.00}	5.00 ^{+0.25} _{-0.00}	6.50 ^{+0.25} _{-0.00}

NOTES:

1. WIRE BREAK-OUTS FROM CORE MAY VARY FROM UNIT TO UNIT. PICTORIAL IS A REPRESENTATION. USE MARKERS INSTALLED BY VENDOR TO CUT LEADS.



REV.	CHG. NO.	REV.
1	7014417-00001	A
2	D. ZWICKER 30 SEP 77	
3	D. MARTEL	
4	10/9/77	
5	7014417-00002	B
6	P. BRONSON 6 MAR 78	
7	C. LANDINO	
8	7014417-TW003	C
9	P. BRONSON 18 SEPT 79	
10	C. LANDINO	
11	7014417-TW004	D
12	P. BRONSON 19 JAN 81	
13	K. KNOWLES	
14	7014417-00003	

QTY	DESCRIPTION	DWG./PART NO.	ITEM NO.
4	1 LABEL, IDENT ADHESIVE	9009255-01	4
3	1 LUG, POWER (90°) #8AWG	1212086-02	3
2	2 LUG, POWER (STRAIGHT) #8AWG	1211515-01	2
1	1 CHOKE SV	1614199-00	1

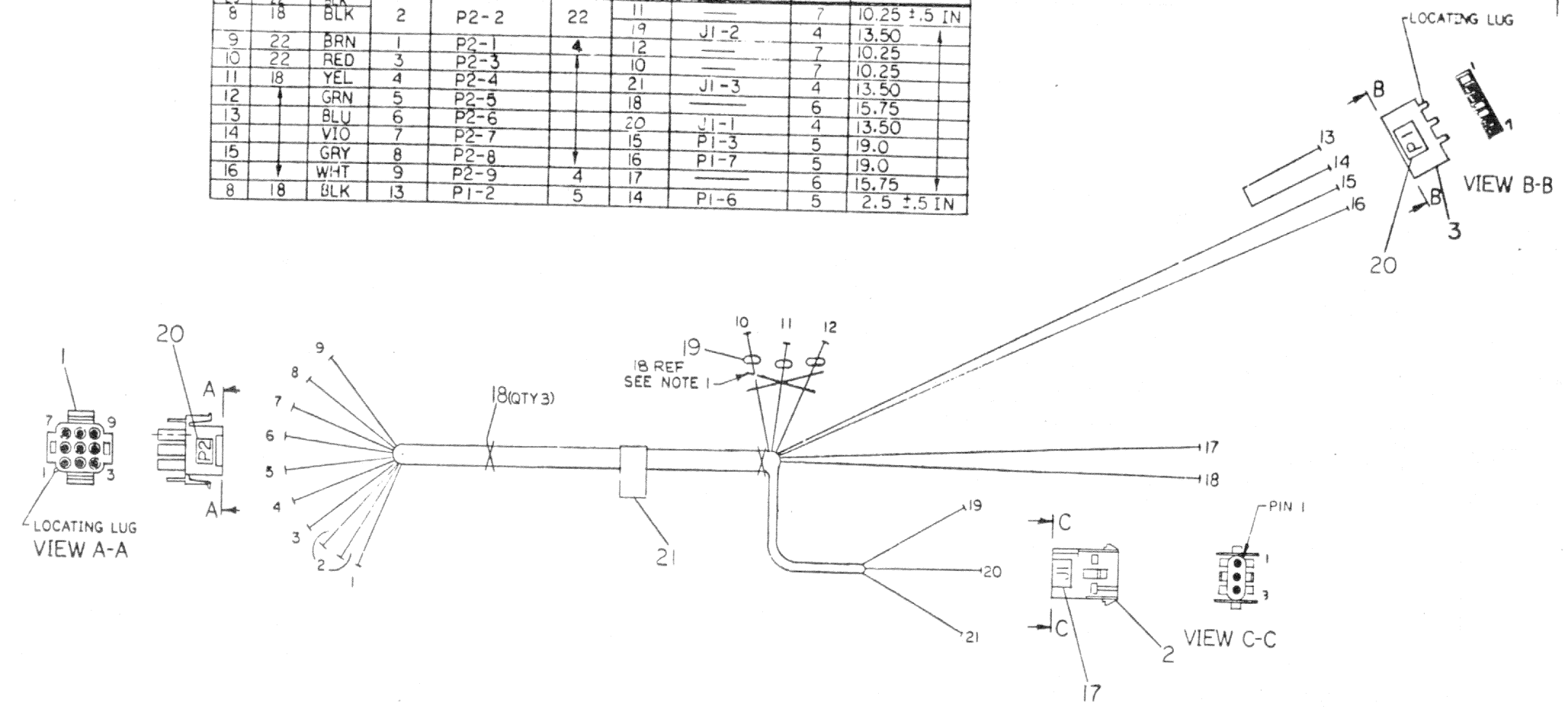
THIRD ANGLE PROJECTION 	DRN. <i>[Signature]</i>	FIRST USED ON H7100
	CHKD. <i>[Signature]</i>	TITLE CHOKE, REWORK
REMOVE BURRS AND BREAK SHARP CORNERS	PROJ. ENG. <i>[Signature]</i>	SIZE CODE C IA
DO NOT SCALE DWG	PROD. <i>[Signature]</i>	NUMBER 7014417-0-0
MATERIAL SEE PARTS LIST	NEXT HIGHER ASSY.	REV. D
FINISH <i>[Symbol]</i>	SHEET OF	DIST.

DRAWING NUMBER 7014417-0-0

THIS DRAWING AND SPECIFICATIONS HEREBY ARE THE PROPERTY OF DIGITAL EQUIPMENT CORPORATION AND SHALL NOT BE REPRODUCED OR COPIED OR USED IN WHOLE OR IN PART AS THE BASIS FOR THE MANUFACTURE OR SALE OF ITEMS WITHOUT WRITTEN PERMISSION OF DIGITAL EQUIPMENT CORPORATION © 1978

WIRE TABLE										
ITEM NO.	DESCRIPTION	A W G	COLOR	FROM			TO			PRECUT LENGTH
				POINT	CONNECTION	TERM	POINT	CONNECTION	TERM	
8	18	BLK	2	P2-2	22	11	---	7	10.25 ±.5 IN	
9	22	BRN	1	P2-1	4	19	J1-2	4	13.50	
10	22	RED	3	P2-3	4	12	---	7	10.25	
11	18	YEL	4	P2-4	4	10	---	7	10.25	
12	18	GRN	5	P2-5	4	21	J1-3	4	13.50	
13	18	BLU	6	P2-6	4	18	---	6	15.75	
14	18	VIO	7	P2-7	4	20	J1-1	4	13.50	
15	18	GRY	8	P2-8	4	15	P1-3	5	19.0	
16	18	WHT	9	P2-9	4	16	P1-7	5	19.0	
17	18	BLK	13	P1-2	4	17	---	6	15.75	
18	18	BLK	13	P1-2	5	14	P1-6	5	2.5 ±.5 IN	

NOTES:
 1. THIS CABLE TIE TO BE ADDED AFTER TERMINALS (ITEM 7) ARE CRIMPED AND TUBING (ITEM 19) IS SHRUNK ON.



DO NOT REDUCE
 SCALE
 6 IN 12 IN

REV	DATE	BY	CHK	DESCRIPTION
1	12 FEB 80	J. DAVIS		REVISED TO ADD
2	12 FEB 80	K. KNOWLES		REVISED TO ADD

CAUTION: OFF SHEET PARTS LIST
 SEE K-PL-7016158-0-DBP

DESCRIPTION	DWG. PART NO.	ITEM NO.
ANGLES	90° 30°	
SURFACE QUALITY	CHECK ONE	
QUANTITY & VARIATION	PREFERRED	

THIRD ANGLE PROJECTION

REMOVE BURRS AND BREAK SHARP CORNERS

DO NOT SCALE DWG

MATERIAL SEE PARTS LIST

FINISH

DRN: 12-20-78
 CHK: 12-22-78
 PROJ. ENG: 12-22-78
 PROD. M.P.: 12-22-78

FIRST USED ON: 11/750

TITLE: 2.5V CONTROL BOARD SIGNAL HARNESS

SIZE CODE: D IA
 NUMBER: 7016158-0-0
 REV. B

SHEET 1 OF 1

DIGITAL EQUIPMENT CORPORATION PARTS LIST				QUANTITY / VARIATION										NOTES:			
MADE BY ARTHUR MOWRY DATE 12-19-78		CHECKED J. SULLIVAN DATE 12-27-78		SECTION 1										1: K-PL-"Z NUMBER" is Z0361			
ENG <i>K. H. S. Ickler</i> DATE 6-27-79		PROD <i>Spauldt</i> DATE 6-29-79		ISSUED SECTION 1													
ITEM NO.	DRAWING NO.	PART NO.	DESCRIPTION	7016158-00	SYMBOL												REF DESIGNATION
1		1212167-04	9 PIN UNIV HSG MATE-N-LOK	1													
2		1212168-00	3 PIN UNIV HSG MATE-N-LOK	1													
3		1212620-07	7 PIN HSG SNAP -IN	1													
4		1212170-03	SOCKET, UNIV. MATE-N-LOK	11	M												
5		1212203-00	PIN, CRIMP TYPE	4	M												
6		9007970-00	TERM, FASTON, RED	2	O												
7		1216542-01	TERM, RECPT, STRAIGHT	3	O												
8		9107360-00	WIRE, 18 AWG BLK	A/R													
9		9107350-11	WIRE, 22 AWG BRN	A/R													
10		9107350-22	WIRE, 22 AWG RED	A/R													
11		9107360-44	WIRE, 18 AWG YEL	A/R													
12		9107360-55	WIRE, 18 AWG GRN	A/R													
13		9107360-66	WIRE, 18 AWG BLU	A/R													
14		9107360-77	WIRE, 18 AWG VIO	A/R													
15		9107360-88	WIRE, 18 AWG GRY	A/R													
16		9107360-99	WIRE, 18 AWG WHT	A/R													
17	A-DC-7409873-0-0	7409873-2-0	POWER CONNECTOR DECAL	1													
18		9007031-00	CABLE TIE	3	X												
19		9107255-00	TUBING, SHRINK .12 DIA X .75 LG BLK	3													
20	A-DC-7409872-0-0	7409872-2-0	POWER HARNESS DECAL	1													
21		3616073-00	LABEL, CABLE IDENT.	1													

E.C.O. NO. TW001

"THIS DRAWING AND SPECIFICATIONS, HEREIN, ARE THE PROPERTY OF DIGITAL EQUIPMENT CORPORATION AND SHALL NOT BE REPRODUCED OR COPIED OR USED IN WHOLE OR IN PART AS THE BASIS FOR THE MANUFACTURE OR SALE OF ITEMS WITHOUT WRITTEN PERMISSION. COPYRIGHT © 1978 DIGITAL EQUIPMENT CORPORATION"

TITLE
2.5V CONTROL BOARD SIGNAL HARNESS

ASSY NO.
D-IP-7016158-0-0
SHEET 1 OF 2

SIZE CODE NUMBER
B PL 7016158-0-0
INSERTION PARTS LIST DATA BASE REV

A.

DIGITAL EQUIPMENT CORPORATION PARTS LIST

QUANTITY / VARIATION

NOTES:

1: K-PL-"Z NUMBER" is Z0361

MADE BY Arthur Mowry
DATE 12-19-78

CHECKED J Sullivan
DATE 12-29-78

SECTION

ENG *F.M. Macaluso*
DATE 6-27-79

PROD *J.R. Rainault*
DATE 6-29-79

ISSUED SECTION

ITEM NO.	DRAWING NO.	PART NO.	DESCRIPTION	7016158-00	SYMBOL	QUANTITY / VARIATION										REF DESIGNATION				
22		1212170-00	SOCKET , UNIV. MATE-N-LOK	1	☒															
23		9107350-00	WIRE, 22 AWG BLK	A/R																

E.C.O. NO.

"THIS DRAWING AND SPECIFICATIONS, HEREIN, ARE THE PROPERTY OF DIGITAL EQUIPMENT CORPORATION AND SHALL NOT BE REPRODUCED OR COPIED OR USED IN WHOLE OR IN PART AS THE BASIS FOR THE MANUFACTURE OR SALE OF ITEMS WITHOUT WRITTEN PERMISSION. COPYRIGHT © DIGITAL EQUIPMENT CORPORATION"

TITLE
2,5V CONTROL BOARD SIG. HARN.

ASSY NO.
D-IA-7016158-0-0

SIZE
B

CODE
PL

NUMBER
7016158-0-0

REV
A

SHEET 2 OF 2

INSERTION PARTS LIST DATA BASE REV

TW

DRAWING NO.	NO. OF SHTS.	PART NO.	DESCRIPTION	REVISIONS												
B-LD-5413658-0	1		SNUBBER BOARD	A												
D-UA-5413658-0-0	2		SNUBBER BOARD	A												
B-CS-5413658-0-1	1		SNUBBER BOARD	A												
C-LA-7016878-0-0	1		JUMPER, RED	*												
D-MD-5013657-0-0	2		DRILL & ETCH	A												
		5013657	ETCHED BOARD	B												
K-PC-5413658-0-DBP			PL DATA BASE	A												
K-PC-5413658-0-DBC			PC DESIGN DATA BASE	B												

NOTES:

REVISIONS	DATE	CHG NO.	REV.													

"THIS DRAWING AND SPECIFICATIONS, HEREIN, ARE THE PROPERTY OF DIGITAL EQUIPMENT CORPORATION AND SHALL NOT BE REPRODUCED OR COPIED OR USED IN WHOLE OR IN PART AS THE BASIS FOR THE MANUFACTURE OR SALE OF ITEMS WITHOUT WRITTEN PERMISSION.

COPYRIGHT © 1979 DIGITAL EQUIPMENT CORPORATION

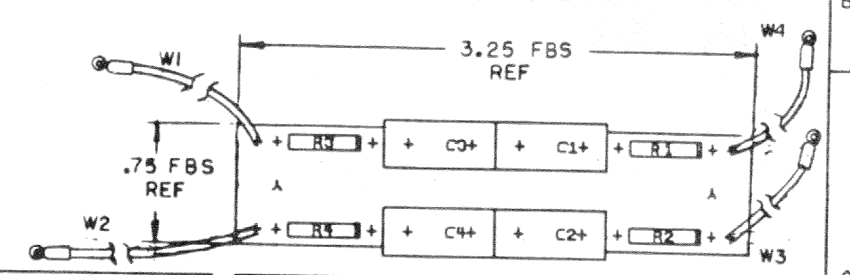
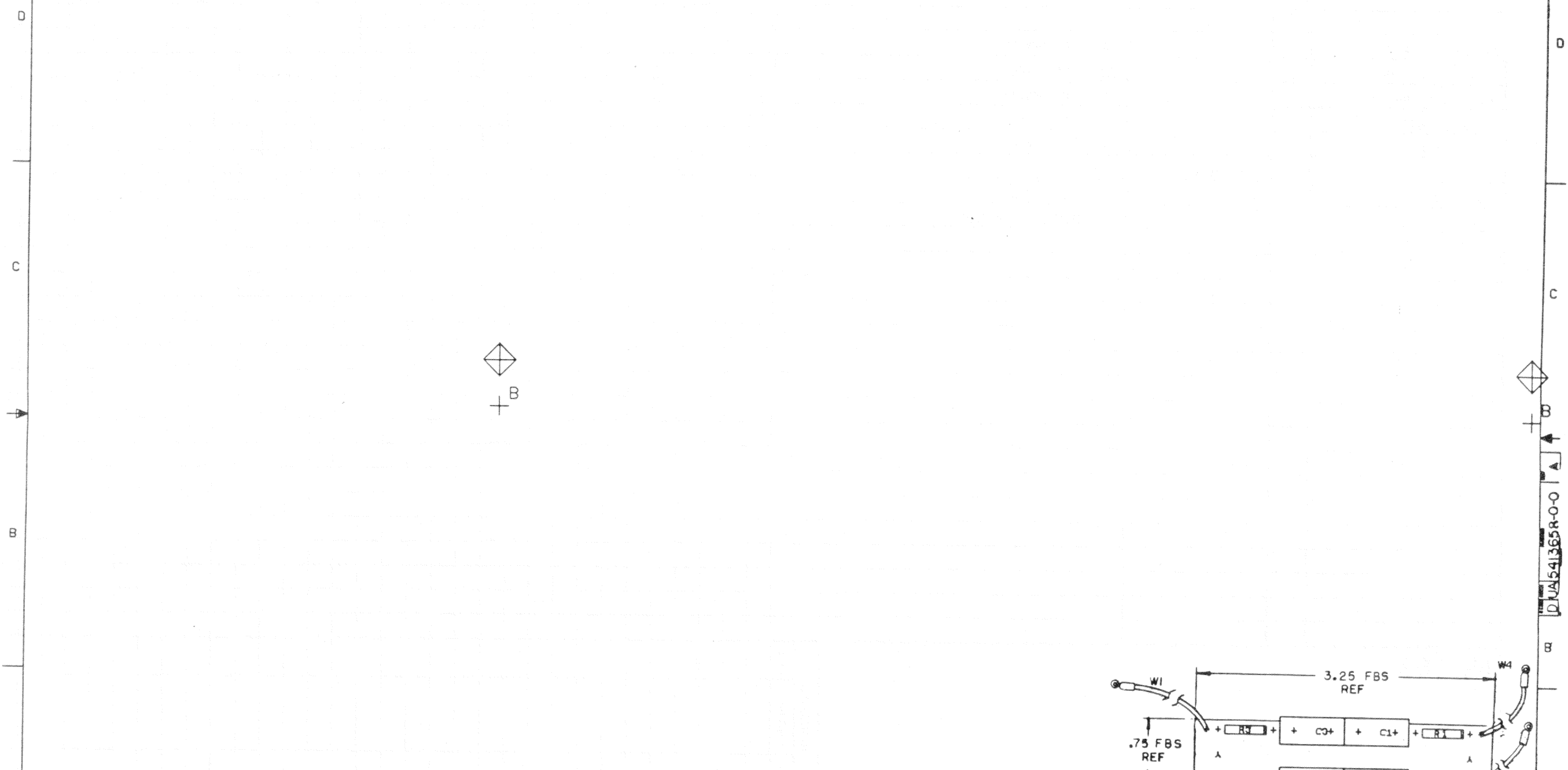


USED ON OPTION/MODEL	DRN. J. CASEY	8/29/79	TITLE SNUBBER BOARD			
	CHK'D J. CASEY	8/29/79	SIZE B	CODE DD	NUMBER 5413658-0	REV. A
	ENG. <i>J. Casey</i>	8/29/79	SHEET 1 OF 1			
	PROB. <i>Considine</i>	<i>8/29/79</i>				

THIS DRAWING AND SPECIFICATIONS, HEREON, ARE THE PROPERTY OF DIGITAL EQUIPMENT CORPORATION AND SHALL NOT BE REPRODUCED OR TRANSMITTED IN ANY FORM OR BY ANY MEANS, ELECTRONIC OR MECHANICAL, INCLUDING PHOTOCOPYING, RECORDING, OR BY ANY INFORMATION STORAGE AND RETRIEVAL SYSTEM, WITHOUT WRITTEN PERMISSION FROM DIGITAL EQUIPMENT CORPORATION.

0-0-859815-02

COMPONENT SIDE VIEW



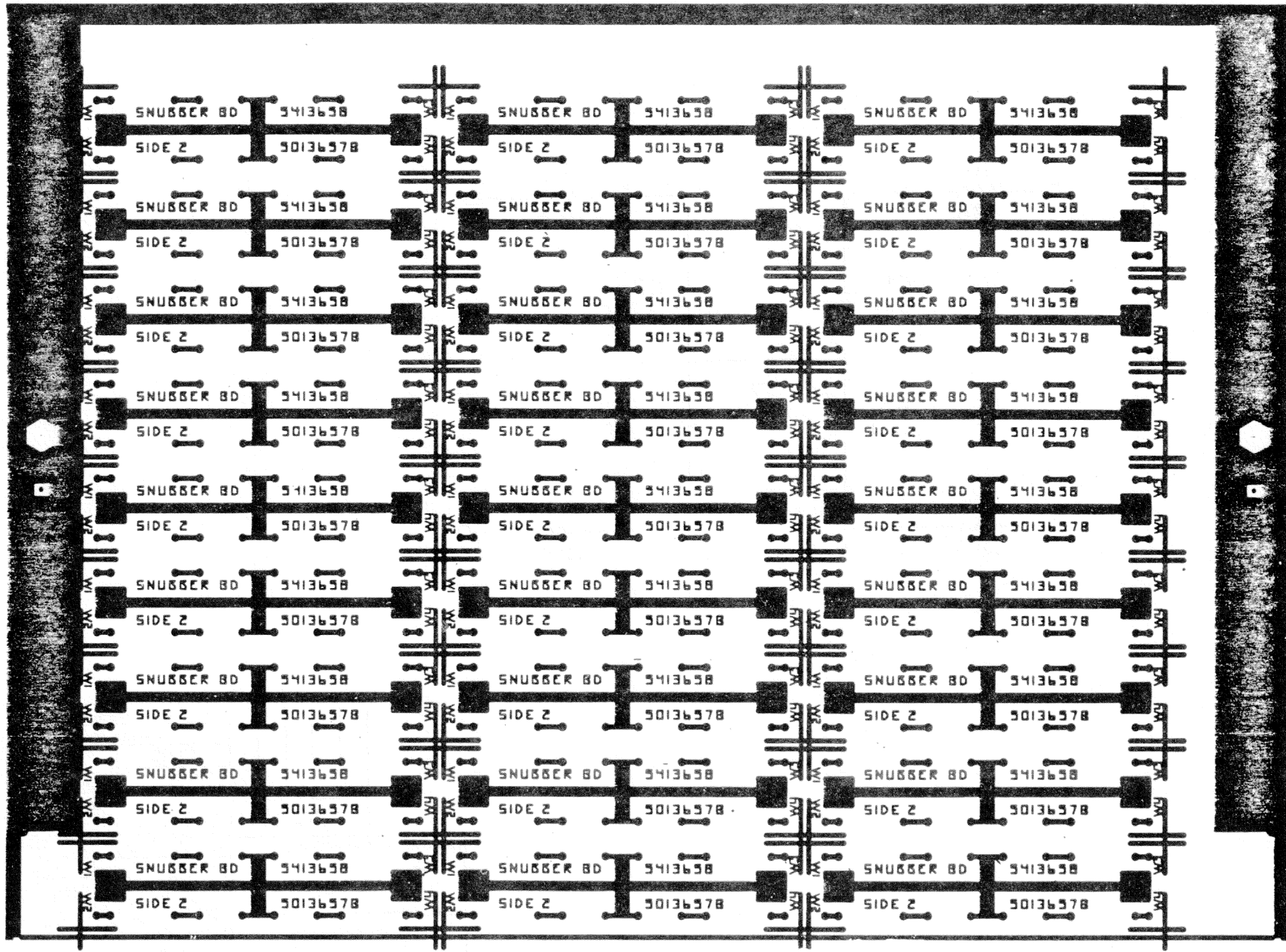
NOTES:

CHG	NO	REV

ETCH REV. B
P.C. DESIGN DATA BASE REV. B

SIGNATURES	DATE	TITLE
DRN. <i>D. Donahue</i>	1/11	digital
CHK'D. <i>[Signature]</i>	1/11	
ENG. <i>[Signature]</i>	1/11	
PROJ. ENG. <i>[Signature]</i>	1/11	
PROD. <i>[Signature]</i>	1/11	
SCALE 2/1		TITLE
SHT. 1 OF 2		SNUBBER BOARD
NEXT NUMBER ASSY. B-00-541365R-00		SIZE CODE NUMBER REV
		D UA 541365R-00/A

THIS DRAWING AND SPECIFICATIONS HEREIN ARE THE PROPERTY OF DIGITAL EQUIPMENT CORPORATION AND SHALL NOT BE REPRODUCED OR COPIED OR USED IN WHOLE OR IN PART AS THE BASIS FOR THE MANUFACTURE OR SALE OF ANY EQUIPMENT WITHOUT WRITTEN PERMISSION FROM DIGITAL EQUIPMENT CORPORATION.

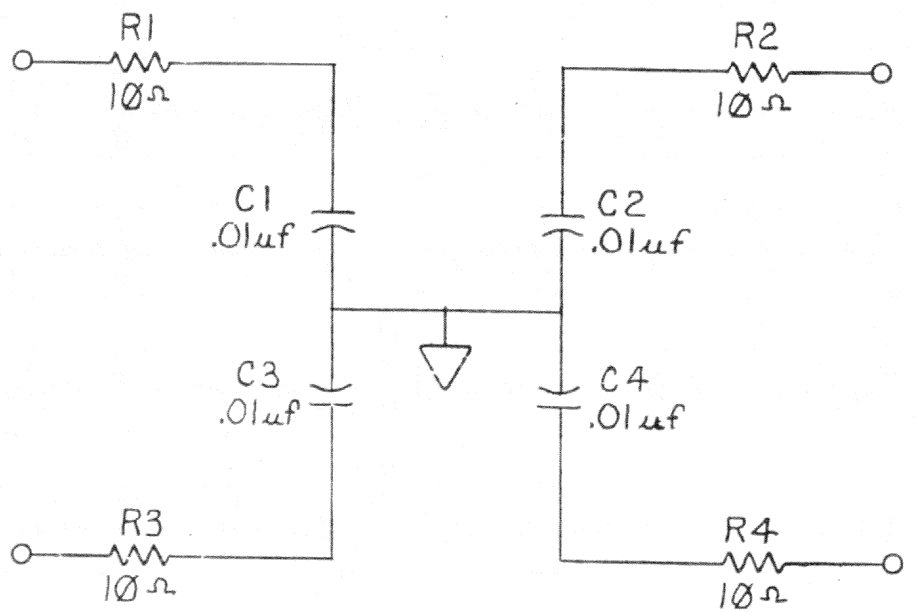


REVISIONS		
CHK	CHANGE NO	REV

"THIS DRAWING AND SPECIFICATIONS, HEREIN, ARE THE PROPERTY OF DIGITAL EQUIPMENT CORPORATION AND SHALL NOT BE REPRODUCED OR COPIED OR USED IN WHOLE OR IN PART AS THE BASIS FOR THE MANUFACTURE OR SALE OF ITEMS WITHOUT WRITTEN PERMISSION.

COPYRIGHT © 1979 DIGITAL EQUIPMENT CORPORATION

REV. 1
 NUMBER 5413658-0-1
 CS CODE B
 SIZE 2



REVISIONS	REV.
CHANGE NO.	
CHK	

DRB 100A

DESCRIPTION		DWG./PART NO.		ITEM NO.			
UNLESS OTHERWISE SPECIFIED DIMENSIONS ARE IN INCHES							
ANGLES ±0.30°	CLASS OF ACCURACY (CHECK ONE)	NOMINAL DIMENSION RANGE INCHES					
SURFACE QUALITY IN		OVER 0 TO 0.3	OVER 0.3 TO 1.3	OVER 1.3 TO 4.3	OVER 4.3 TO 12.9	OVER 12.9 TO 48.9	OVER 48.9 TO 96.9
✓	MEDIUM	±.004	±.008	±.012	±.016	±.024	±.04
✓	PREFERRED	±.012	±.016	±.025	±.04	±.063	±.1
THIRD ANGLE PROJECTION	DRN. <i>J. Fisher</i> 2/20/79	FIRST USED ON					
	CHK'D <i>J. Adams</i> 2/14/79	digital					
REMOVE BURRS AND BREAK SHARP CORNERS	ENG. <i>Sam Brown</i> 8/1/79	TITLE					
DO NOT SCALE DWG	PROJ. ENG. <i>Sam Brown</i> 8/1/79	BOARD SNUBBER					
MATERIAL	PROD. <i>Bill</i> 8/5/79	SIZE CODE		NUMBER			
FINISH	NEXT HIGHER ASSY.	B		CS54136580-1			
		SCALE	SHEET		REV.		
		1/1	1 OF 1		A		

2 1 TW 1

LINE ITEM	DOCUMENT NUMBER	PART NUMBER	DESCRIPTION	QTY PER VARIATION	REFERENCE DESIGNATOR
1	D-MD-5013657-0-0	5013657-00	DRILL & ETCH BOARD	1	
2		1011847-01	.01 MFD 400V 10% POLYPROP	4	C1-C4
3		1300168-00	10 1/2W 5% CC	4	R1-R4
4		7016878-00	JUMPER RED	4	W1-W4

REVISION HISTORY		BASIC PART NO: 5413658		DRN: K,FRIEDGEN	DATE: 4-OCT-79	DIGITAL			
ENG	ECO NUMBER	REV	SECTION A OF A	CHK'D: K,FRIEDGEN	DATE: 4-OCT-79	PARTS LIST			
---	INITIAL	*	SECTION, VARIATION INDEX	CHK'D: K,FRIEDGEN	DATE: 4-OCT-79	SNURBER CARD			
---	INITIAL	A	[A] 00						
			[B]						
			[C]	DES, ENG: J, DAVIS	DATE: 4-OCT-79				
			[D]						
			[E]						
			[F]	RESP, ENG: J, DAVIS	DATE: 4-OCT-79	DOCUMENT NUMBER			
			[H]						
			[J]			SIZE	CODE	NUMBER	REV
			[K]	MFG, ENG: J, CONSTANTINE	DATE: 4-OCT-79	K	PL	5413658-0-DBP	A
			[L]						
			[M]	ASSEMBLY NUMBER:	TOP DOCUMENT NUMBER:	FILE NAME:		EDIT #	
			[N]	D-UA-5413658-0-0	B-CS-5413658-0-0	20657.PLS		5	

"THIS DRAWING AND SPECIFICATIONS HEREIN, ARE THE PROPERTY OF DIGITAL EQUIPMENT CORPORATION AND SHALL NOT BE REPRODUCED OR COPIED OR USED IN WHOLE OR IN PART AS THE BASIS FOR THE MANUFACTURE OR SALE OF ITEMS WITHOUT WRITTEN PERMISSION. COPYRIGHT (C) 1979, DIGITAL EQUIPMENT CORPORATION"

TW

B REV. 5413559-0 NUMBER B DD B SIZE CODE

DRAWING NO.	NO. OF SHTS.	PART NO.	DESCRIPTION	REVISIONS															
B-DD-5413559-0	1		OVERVOLTAGE BOARD	A	B														
D-UA-5413559-0-0	2		OVERVOLTAGE BOARD	A	B														
B-CS-5413559-0-1	1		OVERVOLTAGE BOARD	A	B														
D-MD-5013558-0-0	2		DRILL & ETCH	A	B														
		5013558	ETCHED BOARD	B	C														
K-PL-5413559-0-DBP	1		PL DATA BASE	A	B														
K-PC-5413559-0-DB4			P/C DESIGN DATA BASE	B	C														
D-EG-5013558-0-0	2		ETCH CUT DRAWING	A															

NOTES:

REVISIONS		DATE	CHG NO.	REV.

"THIS DRAWING AND SPECIFICATIONS, HEREIN, ARE THE PROPERTY OF DIGITAL EQUIPMENT CORPORATION AND SHALL NOT BE REPRODUCED OR COPIED OR USED IN WHOLE OR IN PART AS THE BASIS FOR THE MANUFACTURE OR SALE OF ITEMS WITHOUT WRITTEN PERMISSION.
 COPYRIGHT © 1979 DIGITAL EQUIPMENT CORPORATION
 DRB 128



USED ON OPTION/MODEL	DRN. J. CASEY 8/28/79	TITLE OVERVOLTAGE BOARD
	CHK'D J. CASEY 8/28/79	SIZE CODE B DD
	ENG. <i>J. Claus</i>	NUMBER 5413559-0
	PROD. <i>Condolatus</i>	REV. B
		SHEET 1 OF 1

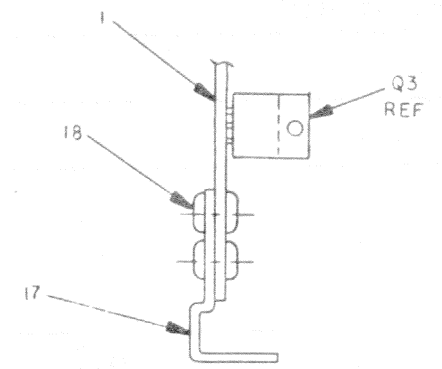
TW

8 7 6 5 4 3 2 1

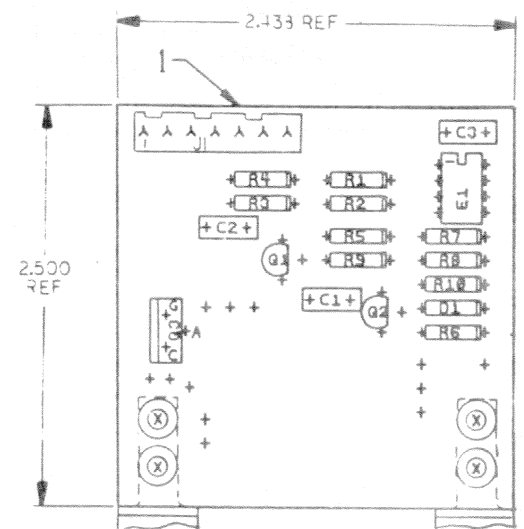
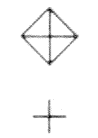
THIS DRAWING AND SPECIFICATIONS HEREBY ARE THE PROPERTY OF AVIATION ELECTRONIC CORPORATION AND SHALL NOT BE REPRODUCED OR TRANSMITTED IN ANY FORM OR BY ANY MEANS AS THE BASIS FOR THE SUBMISSION OF BIDS OR THE FURNISHING OF MATERIALS WITHOUT THE WRITTEN PERMISSION OF AVIATION ELECTRONIC CORPORATION

DUA 5413559-0-0 2

COMPONENT SIDE VIEW



VIEW A-A



NOTES:
 1 STEP & REPEAT CODE IS 2ML43.
 STEP E → Y AXIS 2.500 STEP 3 TIMES
 REPEAT → X AXIS 2.525/2.5 STEP 2 TIMES

CHK CHANGE NO	REV
1	B
2	A
3	C

ETCH REV. CPI
P.C. DESIGN DATA BASE REV. CLI

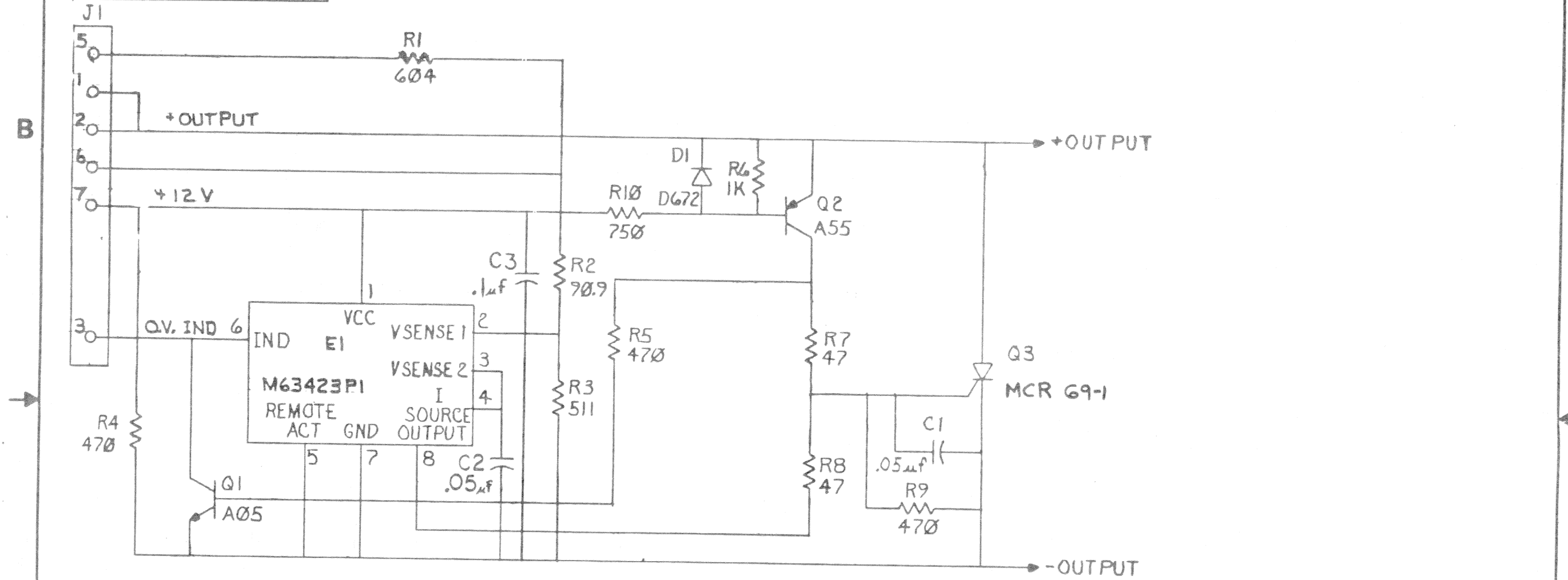
SIGNATURES	DATE
DRN. <i>[Signature]</i>	2/23/82
CHK'D. <i>[Signature]</i>	2/23/82
RECH. ENG. <i>[Signature]</i>	4/17/81
PROJ. ENG. <i>[Signature]</i>	4/17/81
PROD. <i>[Signature]</i>	4/17/81
SCALE 2:1	
SHT. 1 OF 1	
NEXT HIGHER ASSY. B-DD-5413559-0	

digital		
TITLE		
OVERVOLTAGE BOARD		
SIZE CODE	NUMBER	REV
D U A 5413559-0-0	2	B

8 7 6 5 4 3 2 1 MS#172119CPI

THIS DRAWING AND SPECIFICATIONS, HEREIN, ARE THE PROPERTY OF DIGITAL EQUIPMENT CORPORATION AND SHALL NOT BE REPRODUCED OR COPIED OR USED IN WHOLE OR IN PART AS THE BASIS FOR THE MANUFACTURE OR SALE OF ITEMS WITHOUT WRITTEN PERMISSION.
 COPYRIGHT © 1979 DIGITAL EQUIPMENT CORPORATION

REV B CS 5413559-0-1



REVISIONS	REV.
CHANGE NO.	1
5413559-01 TWI B	
CHK	
DRB 100A	

DESCRIPTION	DWG./PART NO.	ITEM NO.
UNLESS OTHERWISE SPECIFIED DIMENSIONS ARE IN INCHES		
ANGLES ±0° 30'	CLASS OF ACCURACY (CHECK ONE)	NOMINAL DIMENSION RANGE INCHES
SURFACE QUALITY IN MICROINCHES	MEDIUM	OVER 13 ±.004
	PREFERRED	OVER 13 ±.008
		OVER 13 TO 25 ±.012
		OVER 25 TO 40 ±.016
		OVER 40 TO 60 ±.024
		OVER 60 TO 90 ±.04
		OVER 90 TO 120 ±.063
		OVER 120 TO 180 ±.1
THIRD ANGLE PROJECTION	DRN. <i>[Signature]</i> 3/5/79	FIRST USED ON
	CHK'D. <i>[Signature]</i> 8/21/79	digital
REMOVE BURRS AND BREAK SHARP CORNERS	ENG. <i>[Signature]</i> 8-28-79	TITLE
DO NOT SCALE DWG	PROJ. ENG. <i>[Signature]</i> 8-28-79	CARD OVERVOLTAGE
MATERIAL SEE PARTS LIST	PROD. <i>[Signature]</i> 9/1/79	SIZE CODE
FINISH	NEXT HIGHER ASSY.	B CS 5413559-0-1
		NUMBER
		REV. B
		DIST.

PARTS LIST

LINE ITEM	DOCUMENT NUMBER	PART NUMBER	DESCRIPTION	QTY PER VARIATION	REFERENCE DESIGNATOR
				00	
1	1	5013558-00	ETCHED CIRCUIT BOARD	1	
2	2	1915881-00	DEC 3423 OVERVOLTAGE PROTECTO	1	E1
3	3	1105275-00	D 672 TR= 15NS PIV= 60V SI	1	D1
4	4	1001774-00	.05 MFD 25V 10% Y5U DISC	2	C1,C2
5	5	1510705-00	XA 05 NPN 500MW SI 60 50 P	1	Q1
6	6	1510706-00	XA 55 PNP 500MW SI 60 50 P	1	Q2
7	7	1117061-00	MCR 69-1 THYRISTOR	1	Q3
8	8	1313155-00	604.0 .25 W 1.0 % RN55D-F10	1	R1
9	9	1303037-00	90.90 .25 W 1.0 % RN55D-F10	1	R2
10	10	1302411-00	511.0 .25 W 1.0 % RN55D-F10	1	R3
12	12	1300316-00	470.0 .25 W 5.0 % CC	3	R4,R5,R9
13	13	1300365-00	1.0 K .25 W 5.0 % CC	1	R6
14	14	1301695-00	47.0 .50 W 5.0 % CC	2	R7,R8
15	15	1301401-00	750.0 .25 W 5.0 % CC	1	R10
16	16	1216122-01	HEADER.156 7POS KEYED	1	J1
17	17	1010978-36	.1 MFD 50V 10% CER	1	C3
18	18	7422035-00	BRKT REG. MTG	2	
		9000024-01	EYELET,ROLL FLANGE .1210DX .192	4	

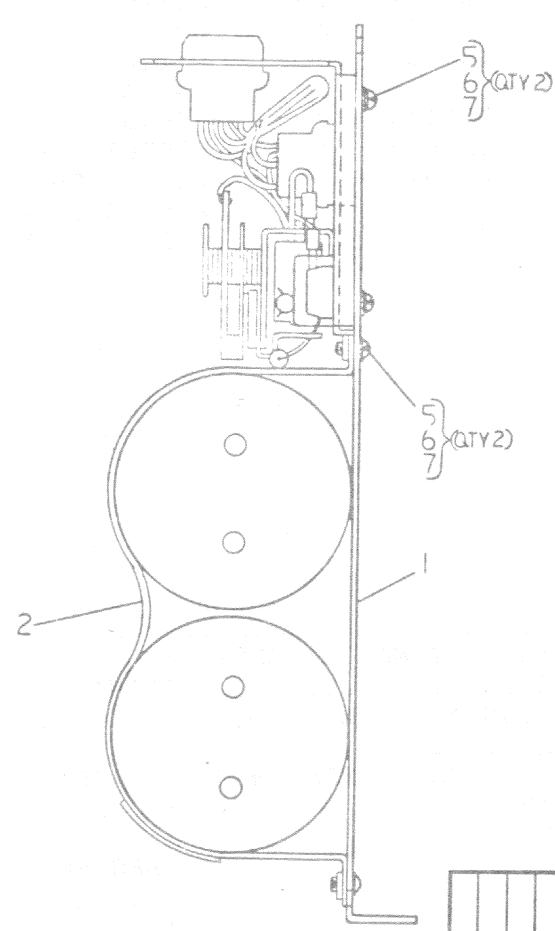
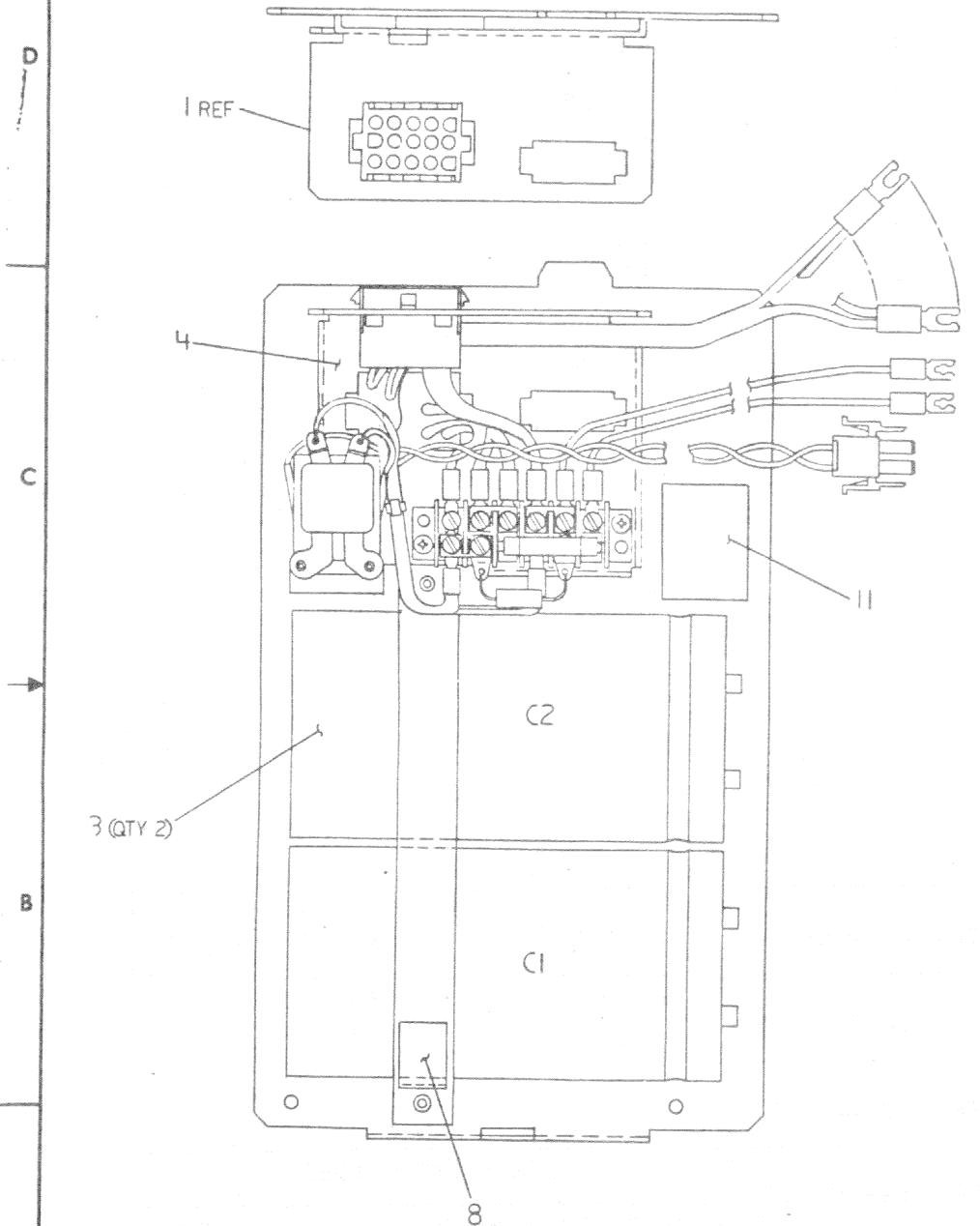
REVISION HISTORY		BASIC PART NO: 5413559		DRN:	S.NORRIS	DATE:	09-AUG-79	D I G I T A L			
ENG!	ECD NUMBER	REV	SECTION A OF A	CHK'D:	K.FRIEDGEN	DATE:	18-OCT-79	TITLE		PARTS LIST	
---	INITIAL	B	SECTION.VARIATION INDEX	DES.ENG:	J.DAVIS	DATE:	18-OCT-79	OVERVOLTAGE CARD			
---	INITIAL	A	[A] 00	RESP.ENG.:	J.DAVIS	DATE:	18-OCT-79	DOCUMENT NUMBER			
AL	TW1	B	[B]	MFG.ENG.:	C.J.CONSTANTINE	DATE:	18-OCT-79	SIZE	CODE	NUMBER	REV
			[C]	ASSEMBLY NUMBER:		TOP DOCUMENT NUMBER:		K	PL	5413559-0-DBP	B
			[D]	D-UA-5413559-0-0						FILE NAME:	EDIT #
			[E]							Z0658B.PLS	9
			[F]								
			[G]								
			[H]								
			[I]								
			[J]								
			[K]								
			[L]								
			[M]								
			[N]								

"THIS DRAWING AND SPECIFICATIONS HEREIN, ARE THE PROPERTY OF DIGITAL EQUIPMENT CORPORATION AND SHALL NOT BE REPRODUCED OR COPIED OR USED IN WHOLE OR IN PART AS THE BASIS FOR THE MANUFACTURE OR SALE OF ITEMS WITHOUT WRITTEN PERMISSION. COPYRIGHT (C) 1981. DIGITAL EQUIPMENT CORPORATION"

TW

8 6 5 4 3 2 1

THIS DRAWING AND SPECIFICATIONS HEREIN ARE THE PROPERTY OF DIGITAL EQUIPMENT CORPORATION AND SHALL NOT BE REPRODUCED OR COPIED OR USED IN WHOLE OR IN PART AS THE BASIS FOR THE MANUFACTURE OR SALE OF ITEMS WITHOUT WRITTEN PERMISSION.
COPYRIGHT © 1972 DIGITAL EQUIPMENT CORPORATION



OFF SHEET PARTS LIST
SEE K-PL-7018512-0-DBP

REV	ECO NUMBER	DATE

DESCRIPTION	DRAWING NO.	PART NO.	ITEM NO.		
UNLESS OTHERWISE SPECIFIED DIMENSIONS ARE IN INCHES AND THE FOLLOWING TOLERANCES APPLY (PER DEC STD 114)					
INCHES TOLERANCES	ANGLES ± 0° 30'	APPLICABLE DIMENSION RANGE			
		SURFACE QUALITY			
XX ± 0.1	✓	CHECK ONE	DIMENSION RANGE IN INCHES		
XXX ± 0.05		<input type="checkbox"/> ± 0.01	<input type="checkbox"/> ± 0.02	<input type="checkbox"/> ± 0.05	
		<input type="checkbox"/> ± 0.005	<input type="checkbox"/> ± 0.010	<input type="checkbox"/> ± 0.015	
		<input type="checkbox"/> ± 0.002	<input type="checkbox"/> ± 0.005	<input type="checkbox"/> ± 0.008	
THIRD ANGLE PROJECTION	DATE	DATE	TITLE		
	T. McCullough 2-11-71	J. F. Sullivan 4/23/71	digital BOTTOM PANEL ASSY		
DO NOT SCALE DRAWING	DATE	DATE	DOCUMENT NUMBER		
REMOVE BURRS AND BREAK SHARP CORNERS	DATE	DATE	D AD 7018512-0-0		
MATERIAL	DATE	DATE	SCALE		
SEE PARTS LIST	DATE	DATE	1/16" = 1"		
FINISH	DATE	DATE	1/16" = 1"		

8 7 6 5 4 3 2 1

LINE	ITEM	DOCUMENT NUMBER	PART NUMBER	DESCRIPTION	QUANTITY PER VARIATION
1	1	D-IA-7425496-C-0	7425496-00	PAN,BOTTOM	1
		C-IA-7418370-0-0	7418370-00	CAP RETAINER	1
			1014336-00	4500 MFD 200V +50-10% AL EL	2
		D-AD-7018511-0-0	7018511-00	CONNECTOR BRKT ASSY	1
			9006039-01	SCREW,PAN,PHIL 8-32X 7/16 SS	4
			9006661-00	WASHER, FLAT, .437 O.D. X .197 I	4
			9006690-00	WASHER, LOCK, S.S. #3	4
			3616590-00	LABEL,DANGER HIGH VOLTAGE,FRENCH	1
10	10	BLANK		*** THIS ITEM IS NOT USED ***	1
11	11	BLANK		*** THIS ITEM IS NOT USED ***	1
			9009255-01	LABEL, POWER SUPPLY, 2-7-8" LG X	1

REVISION HISTORY			BASIC PART NO: 7018512		DRN: T MCCULLOUGH		DATE: 17-FEB-81		DIGITAL	
ENG:	ECO NUMBER	REV	SECTION A OF A	CHK'D:	J SULLIVAN	DATE:	17-FEB-81	TITLE	PARTS LIST	
	INITIAL	A	SECTION. VARIATION INDEX					BOTTOM,PANEL ASSY		
			(A) 00							
			(B)	DES.ENG.:	K.KNOWLES	DATE:	17-FEB-81			
			(C)							
			(D)	RESP.ENG.:	K.KNOWLES	DATE:	17-FEB-81	DOCUMENT NUMBER		
			(E)					SIZE:CODE: NUMBER		REV
			(F)	MFG.ENG.:	G.RAINAULT	DATE:	17-FEB-81	K PL	7018512-0-03P	A
				ASSEMBLY NUMBER:	D-AD-7018512-0-0	TOP DOCUMENT NUMBER:	E-UA-7016157-0-0	FILE NAME:	22433.PLS	EDIT #
										8

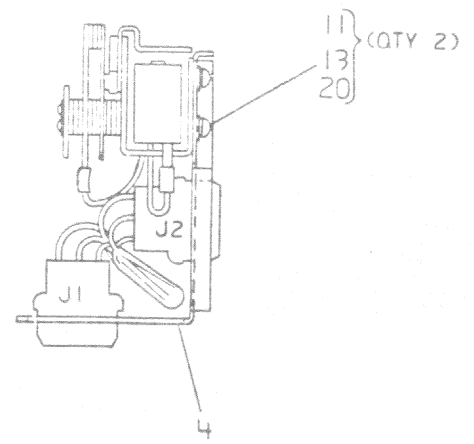
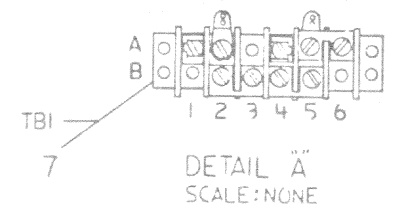
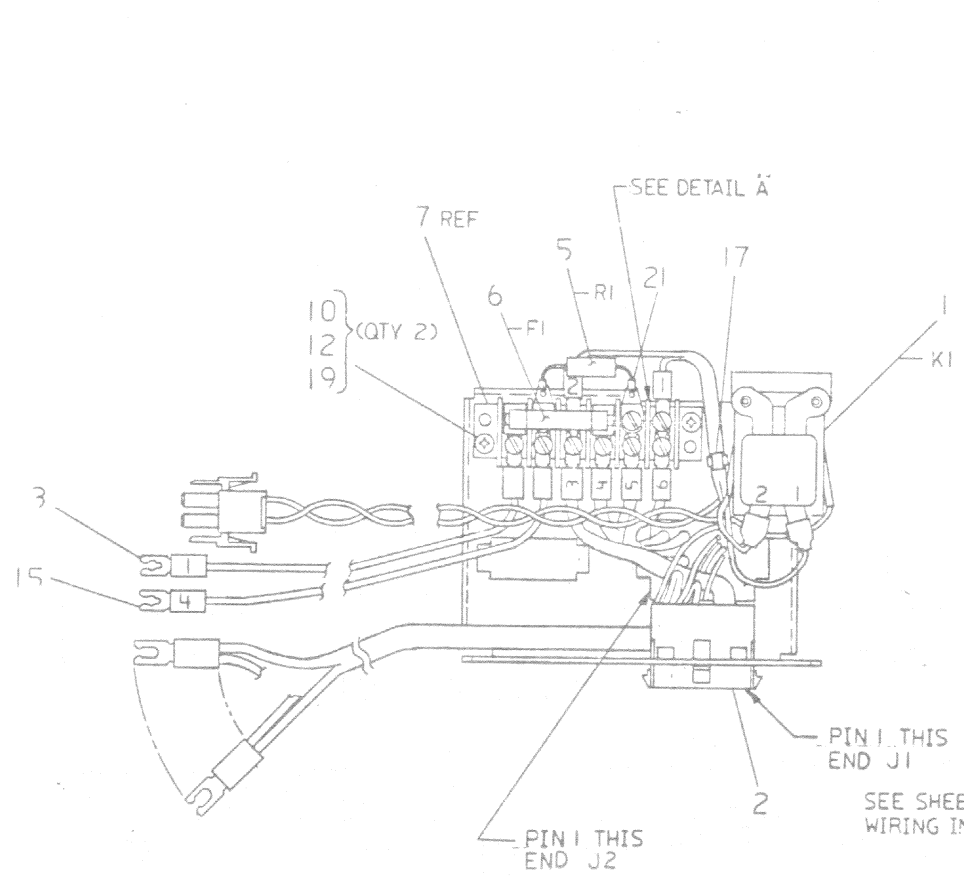
"THIS DRAWING AND SPECIFICATIONS HEREIN, ARE THE PROPERTY OF DIGITAL EQUIPMENT CORPORATION AND SHALL NOT BE REPRODUCED OR COPIED OR USED IN WHOLE OR IN PART AS THE BASIS FOR THE MANUFACTURE OR SALE OF ITEMS WITHOUT WRITTEN PERMISSION. COPYRIGHT (C) 1981. DIGITAL EQUIPMENT CORPORATION"

8 7 6 5 4 3 2 1

THIS DRAWING AND SPECIFICATIONS HEREIN ARE THE PROPERTY OF DIGITAL EQUIPMENT CORPORATION AND SHALL NOT BE REPRODUCED OR COPIED OR USED IN WHOLE OR IN PART AS THE BASIS FOR THE MANUFACTURE OR SALE OF THIS WITHOUT WRITTEN PERMISSION OF DIGITAL EQUIPMENT CORPORATION © 1981

WIRE TABLE						
ITEM NO.	AWG	COLOR	FROM	TO	WITH	REMARKS
1			K1-1	TBI-6A		
			K1-2	TBI-3A		
3			TBI-1B	JUMPER		
15			TBI-2B	JUMPER		

D
C
B
A



OFF SHEET PARTS LIST
SEE K-PL-7018511-0-DBP

DATE	ECO NUMBER	REV
1/23/81	7018511-TM001	B
1/23/81	7018511-TM001	A

DESIGNED BY: K. KNOWLES
CHECKED BY: J. SULLIVAN
DATE: 1/23/81

DESCRIPTION	DRAWING NO.	PART NO.	ITEM NO.					
UNLESS OTHERWISE SPECIFIED DIMENSIONS ARE IN INCHES AND THE FOLLOWING TOLERANCES APPLY (PER DEC STD 114)								
INCHES TOLERANCES	ANGLES ± 0° 30'	APPLICABLE DIMENSION RANGE	DIMENSION RANGE IN INCHES					
			OVER 9 TO 0.2	OVER 0.2 TO 1.2	OVER 1.2 TO 4.0	OVER 4.0 TO 12.0	OVER 12.0 TO 48.0	OVER 48.0 TO 96.0
QUANTITY & VARIATION	SURFACE QUALITY	CHECK ONE						
X = ± 1	XX = ± 0.02	XXX = ± 0.05						
THIRD ANGLE PROJECTION	DATE 1/23/81	TITLE	digital					
DO NOT SCALE DRAWING	DATE 4/23/81	CONN BRACKET ASSY		DOCUMENT NUMBER				
MATERIAL	DATE 4/21/81	D AD 7018511-0-0		SCALE 1/1				
FINISH	DATE 5/6/81	D AD 7018512-0-0		SHEET 1 OF 2				

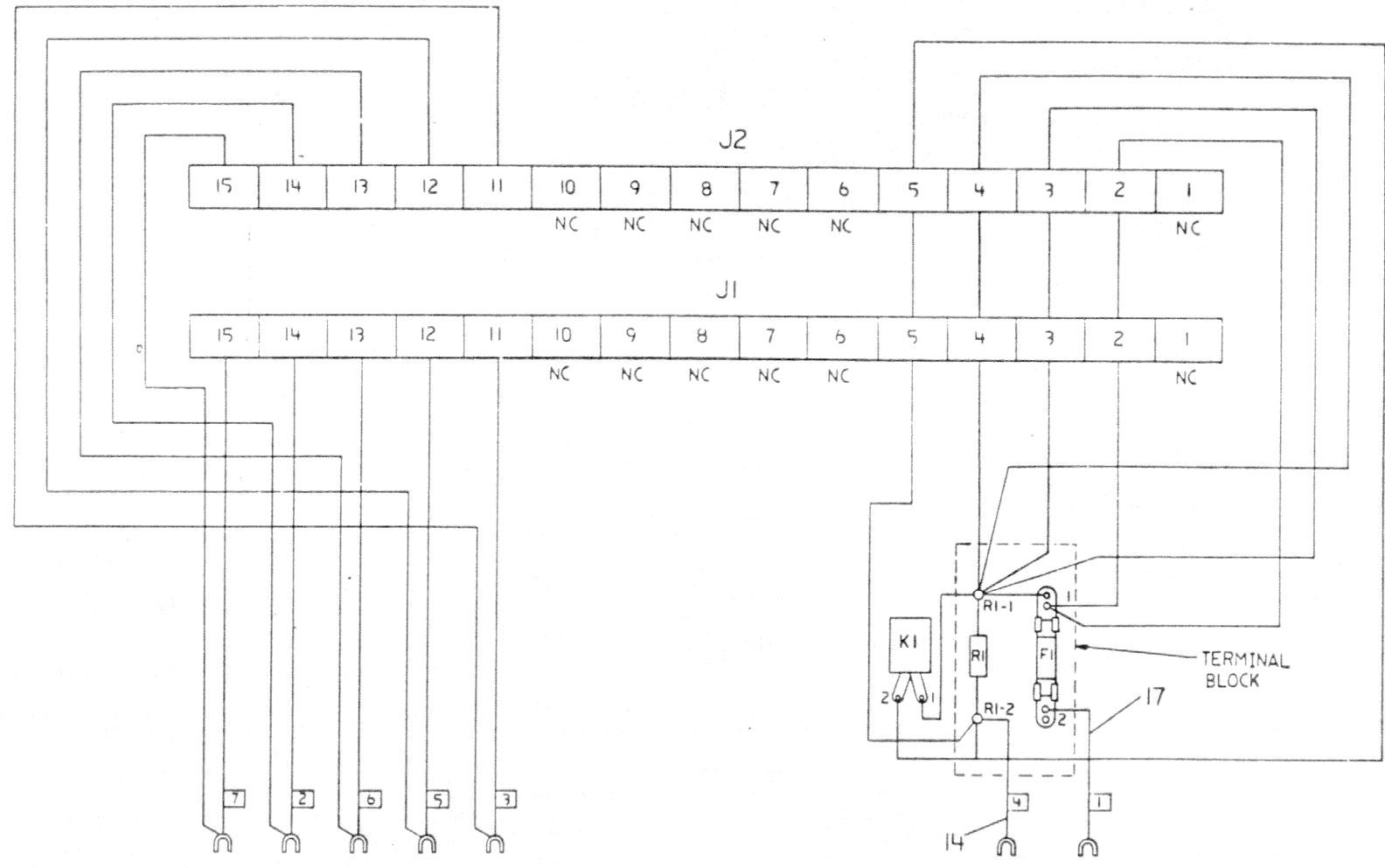
8 7 6 5 4 3 2 1

D
C
B
A

DIGITAL 7018511-0-0

TW 1

THIS DRAWING AND SPECIFICATIONS HEREIN ARE THE PROPERTY OF DIGITAL EQUIPMENT CORPORATION AND SHALL NOT BE REPRODUCED OR COPIED OR USED IN WHOLE OR IN PART AS THE BASIS FOR THE MANUFACTURE OR SALE OF ITEMS WITHOUT WRITTEN PERMISSION.
 COPYRIGHT © 1973
 DIGITAL EQUIPMENT CORPORATION



REVISION HISTORY		
DATE	ECO NUMBER	REV

REV B
 7018511-C-C
 DAD

LINE	ITEM	DOCUMENT NUMBER	PART NUMBER	DESCRIPTION	QUANTITY PER VARIATION
1		C-IA-7018516-0-0	7018516-00	RELAY ASSY.	1
		D-IA-7018514-0-0	7018514-00	BOTTOM PAN HARNESS	1
		C-IA-7018515-0-0	7018515-01	JUMPER	1
		D-IA-7425497-0-0	7425497-00	BRACKET, CONNECTOR	1
			1314848-00	3.0 7.0 W 5.0 % WW	1
			9009527-00	FUSE, SLO BLO 1/8 A, 250V GLASS	1
			1218684-00	TERM BLOCK 12POS	1
		BLANK		*** THIS ITEM IS NOT USED ***	1
		BLANK		*** THIS ITEM IS NOT USED ***	1
			9006024-01	SCREW, PAN, PHIL 6-32X 1/2 SS	1
			9009301-01	SCREW, PAN, PHIL 4-40X 1/4 SS	1
			9007801-00	WASHER, LOCK, S.S. #6	1
			9006688-00	WASHER, LOCK, S.S. #4	1
		BLANK		*** THIS ITEM IS NOT USED ***	1
		C-IA-7018515-0-0	7018515-00	JUMPER	1
		BLANK		*** THIS ITEM IS NOT USED ***	1
			9007031-00	TIE, CABLE BUNDL, DIA 0- 3/4"=101	1
		BLANK		*** THIS ITEM IS NOT USED ***	1
			9006656-00	WASHER, FLAT, .312 O.D. X .156 I	2
			9006655-00	WASHER, FLAT, .312 O.D. X .125 I	2
			9107305-00	TUBING, SHRINK 3/16DIA.EXP UL A/R	1

REVISION HISTORY		BASIC PART NO: 7018511		DRN: T.MCCULLOUGH	DATE: 23-JAN-81	D I G I T A L	
ENG	ECO NUMBER	REV	SECTION A OF A	CHK'D: J.FERGERTSON	DATE: 23-JAN-81	TITLE	PARTS LIST
---	INITIAL	A	SECTION. VARIATION INDEX			CONNECT, BRKT. ASSY	
KK	7018511-TW001	B	(A) 00				
			(B)	DES.ENG.: K.KNOWLES	DATE: 23-JAN-81	DOCUMENT NUMBER	
			(C)				
			(D)	RESP.ENG.: K.KNOWLES	DATE: 23-JAN-81	SIZE	CODE
			(E)			NUMBER	REV
			(F)	MFG.ENG.: G.RAINAULT	DATE: 23-JAN-81	K	PL
				ASSEMBLY NUMBER:	TOP DOCUMENT NUMBER:	FILE NAME:	EDIT #
				D-AD-7018511-0-0	D-AD-7018512-0-0	224343.PLS	15
<p>"THIS DRAWING AND SPECIFICATIONS HEREIN, ARE THE PROPERTY OF DIGITAL EQUIPMENT CORPORATION AND SHALL NOT BE REPRODUCED OR COPIED OR USED IN WHOLE OR IN PART AS THE BASIS FOR THE MANUFACTURE OR SALE OF ITEMS WITHOUT WRITTEN PERMISSION. COPYRIGHT (C) 1982. DIGITAL EQUIPMENT CORPORATION"</p>							

