

\* FA ONLY  
 \*\* ALL EXCEPT FA AND FK  
 \*\*\* FA AND FK ONLY

TITLE MOUNTING BOX ASSY.	SHEET 2 OF 4	SIZE CODE B DD	NUMBER BALL-F-0	REV AD
-----------------------------	--------------	-------------------	--------------------	-----------



CUSTOMER PRINT SET		MECHANICAL					CUSTOMER PRINT SET		MECHANICAL						
1	MFG. SET	FIND NO.	DRAWING NO.	REV	NO OF SHT	DESCRIPTION	OPTION NO./FILE DATE	1	MFG. SET	FIND NO.	DRAWING NO.	REV	NO OF SHT	DESCRIPTION	OPTION NO./FILE DATE
		1	E-UA-BALL-F-Ø	AD	2	MOUNTING BOX ASSY.									
			A-PL-BALL-F-Ø	AD	2	MOUNTING BOX ASSY. (PL)				5	C-AD-7010082-0-0		1	THERMAL SW. BRKT. ASSY. (FA ONLY)	
			E-IA-7409272-0-0		1	BRKT. BEZEL MTG. (FA & FC ONLY)					C-MD-7412292-0-0		1	BRKT., THERMAL SW. (FA ONLY)	
			B-MD-7412297-0-0		1	TROUGH, SUPPORT (CHASSIS)									
			E-MD-7412587-0-0		1	COVER, TROUGH SUPPORT									
			E-MD-7412585-0-0		1	COVER, LEFT SIDE									
			A-DC-5309413-0-0		1	DECAL, NFPA TYPE (UL)				6	D-AR-BALL-F-Ø1		2	BALL-F ACCESSORY ARRANGEMENT (EXPANSION)	
			A-DC-5309414-0-0		1	DECAL, EDP EQUIP. (UL)									
			A-DC-7411325-0-0		1	DECAL, MECHANICAL STATUS									
			C-MD-7411363-0-0		1	KNUCKLE GUARD (EXCEPT FA)									
			B-MD-7411364-0-0		1	KNUCKLE GUARD (FA ONLY)									
			A-DC-7411324-0-0		1	EXPANDER BOX DECAL				7	D-CS-5410590-0-1		1	SYSTEM UNIT PWR. DISTRIBUTION	
			C-MD-7413130-0-0		1	CLAMP, CABLE					K-CO-5410590-Ø-4			X-Y COORDINATE HOLE LOCATION	
			C-MD-7413106-0-0		1	CLAMP, CABLE					E-AH-5410590-Ø-5			ASSY./DRILLING HOLE LAYOUT	
			C-MD-7413107-0-0		1	BAR, CABLE					B-MH-5410590-Ø-6			MODULE ECO HISTORY	
			C-MD-7413108-0-0		1	U BOLT, CABLE					5010589		REF	ETCHED CIRCUIT BOARD	
			B-IA-7011033-0-0		1	CLAMP, UNIBUS CABLE ASSY									
											C-MD-9606076-0-0		REF	ALIGNMENT FIXTURE	
		2	E-IA-7010083-0-0		1	CHASSIS				8	D-IA-7411220-0-0		1	PANEL, PQR. DISTRIB. (ALL EXCEPT FA)	
			E-IA-7412291-0-0		1	PLATE BACK, CHASSIS					C-SS-7411220-0-1		1	SILK SCREEN	
			E-IA-7412290-0-0		1	PLATE FRONT, CHASSIS									
			E-IA-7412295-0-0		1	SYS. UNIT SUPP., TOP, CHASSIS									
			E-MD-7412586-0-0		1	SYS. UNIT SUPP., BOT., CHASSIS									
			E-IA-7412294-0-0		1	MTG. BRKT., LEFT, CHASSIS				9	D-IA-7411221-0-0		1	PANEL, PWR. DISTRIB. (FA ONLY)	
			C-MD-7412293-0-0		1	MTG. BRKT., RIGHT, CHASSIS					A-SS-7411221-0-1		1	SILK SCREEN	
		3	E-IA-7010253-0-0		1	FAN ASSY, TOP									
			E-MD-7412296-0-0		1	BRKT, FAN MTG. TOP									
		4	E-IA-7010351-0-0		1	FAN ASSY, BOTTOM									
			E-MD-7412588-0-0			BRKT. BOTTOM FAN MTG.									

CUSTOMER PRINT SET CODES  
X = PRINT OF DOCUMENT INCLUDED IN PRINT SET  
C = INCLUDES ALL PRINTS INDICATED ON DOCUMENT  
S = CONFIDENTIAL AUTHORIZED SIGNATURE REQUIRED

TITLE  
MOUNTING BOX ASSY.

SHEET 4 OF 4  
SIZE CODE  
B DD

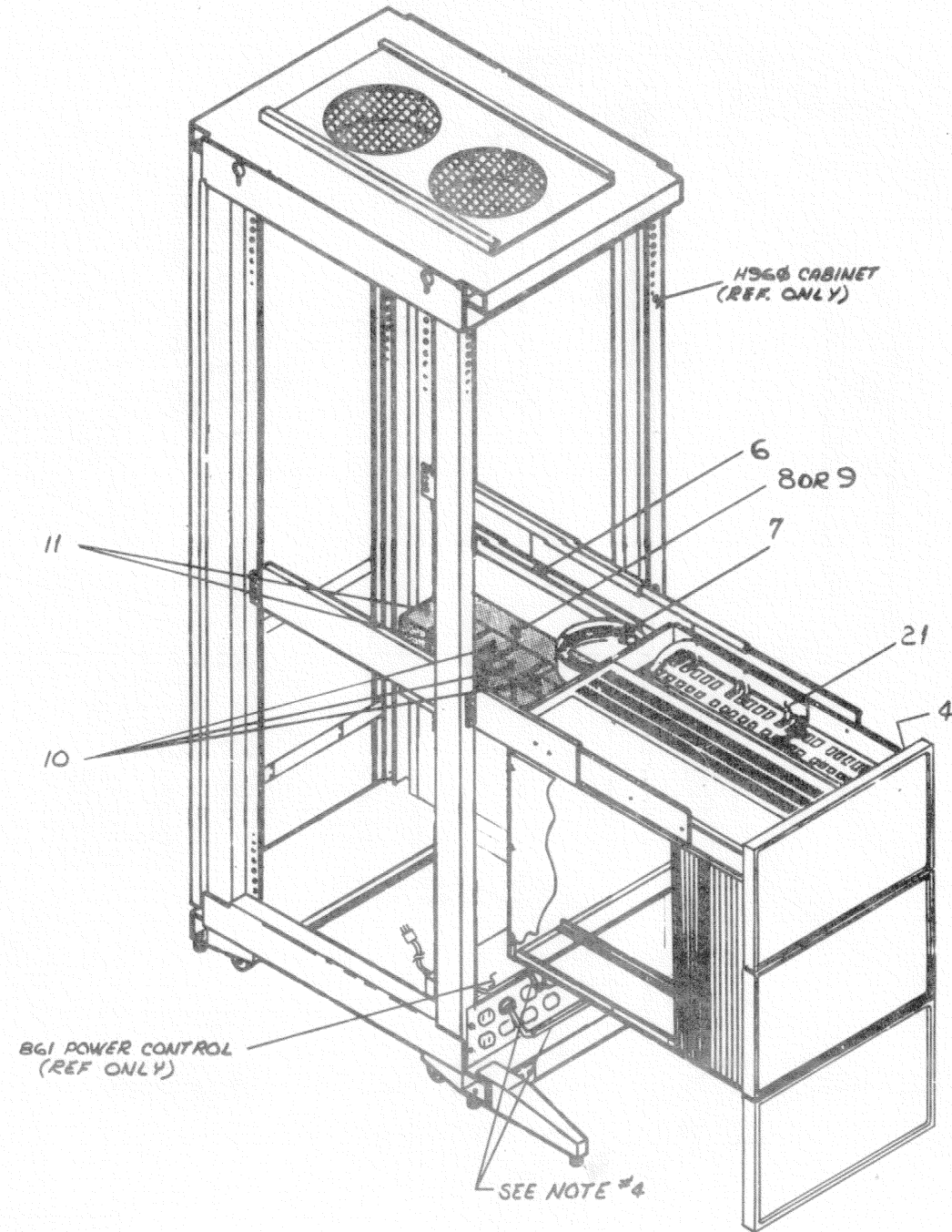
NUMBER  
BALL-F

REV  
AD



This drawing and specifications, herein, are the property of Digital Equipment Corporation and shall not be reproduced or copied in whole or in part in any form for the modification or use of items without written permission. COPYRIGHT © 1973

- NOTES:**
1. A.C. CONNECTION FOR CABINET FAN MAY BE ON BRACKET OR ON JONES STRIP ON INTERIOR OF REAR SIDE OF CABINET MOUNTING CHANNEL.
  2. BEHIND EACH 10 1/2" BLANK PANEL INSTALL (4) 3/8" SPACERS.
  3. OLDER SYSTEMS USED ITEMS 1,3&12 FOR POWER DISTRIBUTION, THESE PARTS ARE AVAILABLE FOR REFERENCE OR REPAIR PURPOSES
  4. H742 POWER SUPPLY AND TOP OF CABINET FANS MUST BE PLUGGED INTO LINE 1 ON 861 POWER CONTROL.
  5. MAIN HARNESS (ITEM #21) HAS TWO (2) UNUSED 8-PIN PLUGS (PM OR P16 AND P15 OR P17). TO PREVENT DAMAGE TO REGULATORS, INSERT AN EMPTY MATING CONNECTOR (ITEM #24) INTO THEM AND TIE THEM OUT OF THE WAY. ALSO ADD OR REMOVE JUMPERS PER D-10-7009566-0-1.



QTY	VARIATION	DESCRIPTION	PART NO.	ITEM NO.
1	1	+20V REGULATOR	E-UA-H754-0-0	25
2	2	8-PIN MATE-N-LOCK (FEMALE)	1209340-0	24
18	8	ADHESIVE BACKED MOUNT	9008264	23
-	-	3 OPTION CABLE G772	1009562-0-0	22
1	1	BAI-F PWR. HARNESS	7009566-0-0	21
6	3	NUT TINNEMAN	9007786	20
6	3	LOCK WASHER, EXT TOOTH	9007651	19
6	3	SCR. PHL HD PAN #10-32x5/16LG	9006074-1	18
4	4	NUT KEPS #10-32	9006565	17
4	4	SCR. PHL HD PAN #10-32x1/2LG	9006073-1	16
4	4	NUT, KEPS #8-32	9006563	15
4	4	SCR. PHL HD PAN #8-32x3/4LG	9006037-1	14
1	1	REGULATOR BOARD (PS)	5409730-0-0	13
-	-	POWER HARNESS (EXP)	7008154-0-0	12
1	1	-15V REGULATOR	E-UA-H745-0-0	11
3	3	+5V REGULATOR	E-UA-H744-0-0	10
1	1	POWER SUPPLY H742-B	E-UA-H742-B-0	9
-	-	POWER SUPPLY H742-A	E-UA-H742-A-0	8
1	1	SUPPORT HARNESS	D-1A-7409446-0	7
1	1	BRKT, HARNESS SUPPORT	D-MD-7409445-0	6
1	1	PLATE SUPPORT	B-MD-7409447-0	5
2	2	MTG BRKT 10 1/2" PANEL	D-1A-7409718-0	4
-	-	3 POWER CABLE	7008855-15	3
33	33	TIE WRAP	9007880	2
-	-	POWER CABLE	7008808-17	1

BAI-F-T	BAI-F-H	BAI-F-E	BAI-F-D	BAI-F-C	BAI-F-B	BAI-F-A

QTY / VARIATION	FIRST USED ON OPTION/MODEL	DESCRIPTION	PART NO.	ITEM NO.
	PDP11/45	ACCESSORY LIST		
UNLESS OTHERWISE SPECIFIED DIMENSION IN INCHES TOLERANCES		DRN. <i>[Signature]</i> DATE 11-9-72	EQUIPMENT CORPORATION	
DECIMALS .XXX - .006	ANGLES ±0° 30'	CHK'D. GILBERT DATE 11-9-72	TITLE BAI-F ACCESSORY ARRANGEMENT	
.XX - .02		ENG. L. MORRIS DATE 11-9-72	SIZE CODE D	
X - .1		PROL. ENG. L. MORRIS DATE 11-9-72	NUMBER DAR BAI-F-01	
REMOVE BURRS AND BREAK SHARP CORNERS SURFACE QUALITY		PROD. J. SWANSON DATE 11-27-72	REV. C	
MATERIAL	NEXT HIGHER ASSY.	E-UA-BAI-F-0		
FINISH	SCALE			
	SHEET 1 OF 2			

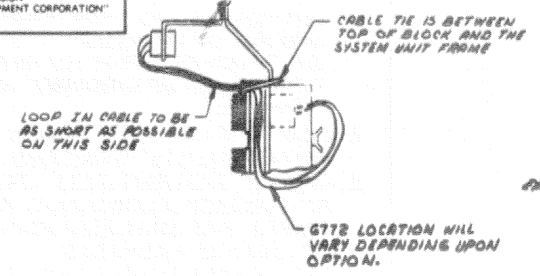
REV.	CHG. NO.	BY	DATE
1		V. BOVEN	11-9-73
2		J. MORRIS	11-9-72
3		J. MORRIS	11-9-72
4		J. SWANSON	11-27-72

OLD NUMBER WAS A-AL-BAI-F-01

MINOR G-6-74

"THIS DRAWING AND SPECIFICATIONS, HEREIN, ARE THE PROPERTY OF DIGITAL EQUIPMENT CORPORATION AND SHALL NOT BE REPRODUCED OR COPIED OR USED IN WHOLE OR IN PART AS THE BASIS FOR THE MANUFACTURE OR SALE OF ITEMS WITHOUT WRITTEN PERMISSION. COPYRIGHT © 1973 DIGITAL EQUIPMENT CORPORATION"

NOTE:  
 1. THIS PRINT SHOWS HARNESS ARRANGEMENTS FOR BAI1-FD/FE ONLY.  
 2. OPTION BACKPLANES AND HARNESSES REPRESENT TYPICAL INSTALLATION.



POWER SUPPORT PLATE  
 D-MD-70087E-0-0  
 (OLD VERSION)

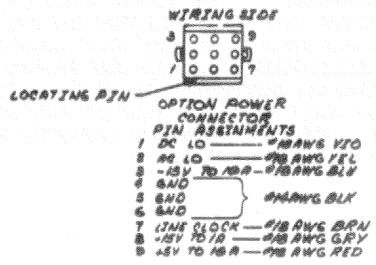
PNR DIST HARNESS  
 D-MD-70087E-0-0  
 (OLD VERSION)

OPTION PWR DIST HARNESS  
 (SEE NOTE 2)

OPTION PWR. DEST. HARNESS  
 (SEE NOTE 2)

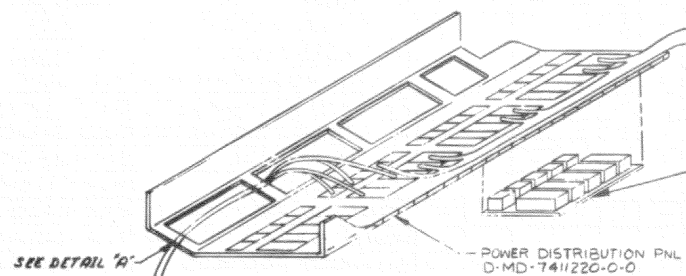
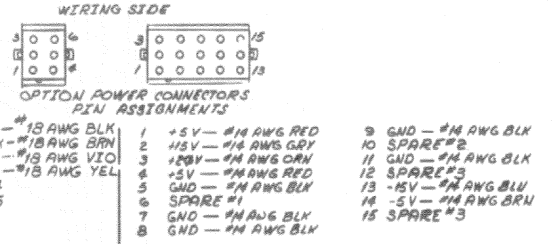
PNR DIST HARNESS  
 C-18-70087H-0-0

POWER HARNESS  
 E-18-70087S9-0-0  
 (OLD VERSION)



POWER DISTRIBUTION  
 (OLD VERSION)

NOTE:  
 1. THIS PRINT SHOWS HARNESS ARRANGEMENTS FOR BAI1-FD/FE ONLY.  
 2. OPTION BACKPLANES AND HARNESSES REPRESENT TYPICAL INSTALLATION.

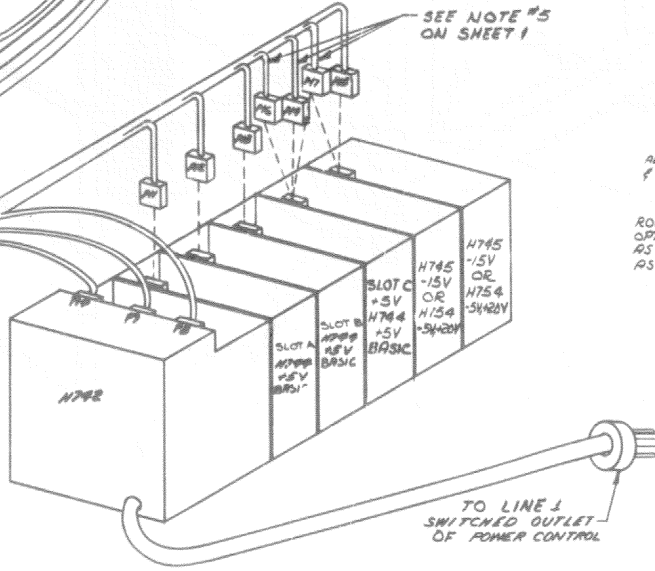


POWER HARNESS  
 7009566

SEE NOTE #5  
 ON SHEET 1

ADHESIVE TIE MOUNTS & CABLE TIES

ROUTE CABLE BETWEEN OPTION BACKPLANES AS CLOSE TO CHASSIS AS POSSIBLE.



POWER DISTRIBUTION  
 (NEW VERSION)  
 BAI1-F

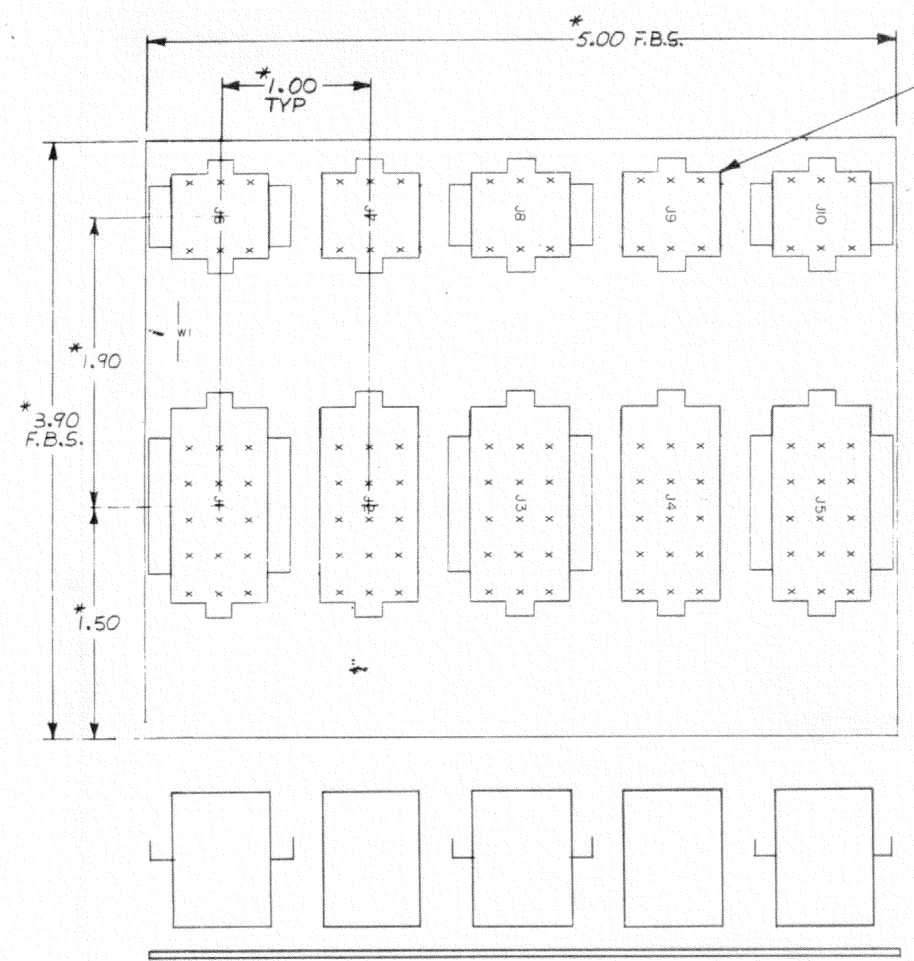
REV	CHANGE NO

FIRST USED ON OPTION/MODEL PDP11/45	QTY.	DESCRIPTION	PART NO.	ITEM NO.
PARTS LIST				
UNLESS OTHERWISE SPECIFIED DIMENSION IN INCHES	DRN. L. GILBERT	DATE 11-9-72	DIGITAL EQUIPMENT CORPORATION MAYNARD, MASSACHUSETTS	
TOLERANCES	CHK'D. L. GILBERT	DATE 11-9-72		
DECIMALS .xxx = .005	ENG. I. MORRIS	DATE 11-9-72	TITLE BAI1-F ACCESSORY ARRANGEMENT	
ANGLES '0 30'	PROJ. ENG. I. MORRIS	DATE 11-9-72		
REMOVE BURRS AND BREAK SHARP CORNERS SURFACE QUALITY Y	PROD. J. SWANSON	DATE 11-27-72	SIZE CODE DAR	NUMBER BAI1-F-01
MATERIAL	NEXT HIGHER ASSY.	SCALE	DIST.	REV. C
FINISH	E-UA-BAI1-F-0	SHEET 2 OF 2		

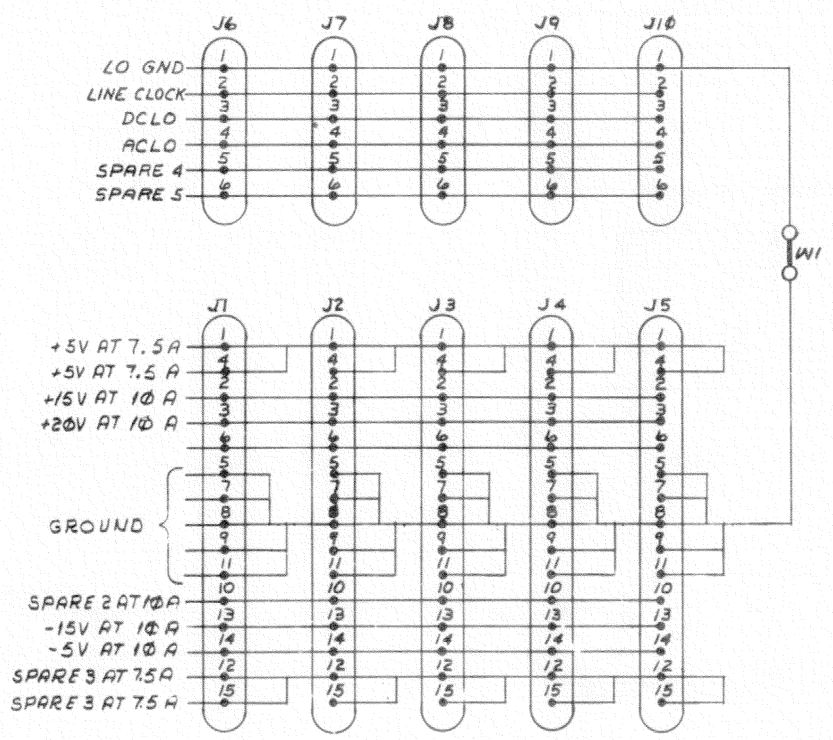
The drawing and specifications herein are the property of Digital Equipment Corporation and shall not be reproduced or used in whole or in part on any other drawing or specification without written permission of Digital Equipment Corporation.

**NOTES:**

- 1 ALL DIM. SHOWN ARE FOR REF. ONLY INDICATED BY ASTERISKS (\*)
- 2 ETCH CURRENT SHOWN IS MAXIMUM ALLOWABLE FOR THIS BOARD. ETCH FOR J1 THRU J10 WILL SUPPORT 100mA MAXIMUM CURRENT.
- 3 IF ETCH IS CHANGED IN FUTURE, "DO NOT" CHANGE POSITIONS OF J1 THRU J10, AS THEY MUST FIT IN PUNCHED PANELS AT NEXT HIGHER ASSY.
- 4 FIXTURE 9606076 MUST BE USED TO ALIGN J1-J10 DURING SOLDERING.



CUT TABS OFF 4 CONN'S AS SHOWN.



REF.	X-Y COORDINATE HOLE LOCATION	R-CO-5410590-0-1	1
REF.	ASSY/DRILLING HOLE LAYOUT	E-MH-5410590-0-5	2
REF.	MODULE ECO HISTORY	B-MH-5410590-0-6	3
1	ETCHED CIRCUIT BOARD	5010589	4
5	J6 THRU J10	CONNECTOR (6 CIRCUIT) SOCKET	1209350-06
5	J1 THRU J5	CONNECTOR (15 CIRCUIT) SOCKET	1209350-15
105	PIN, FEMALE	1209456	7
PIR WI	BUSHING #22 AWG	9107560-01	8
REF.	ALIGNMENT FIXTURE	9606076	9

QTY	REF DESIGNATION	DESCRIPTION	PART NO.	ITEM NO.
11/45	ETCH BOARD REV B			

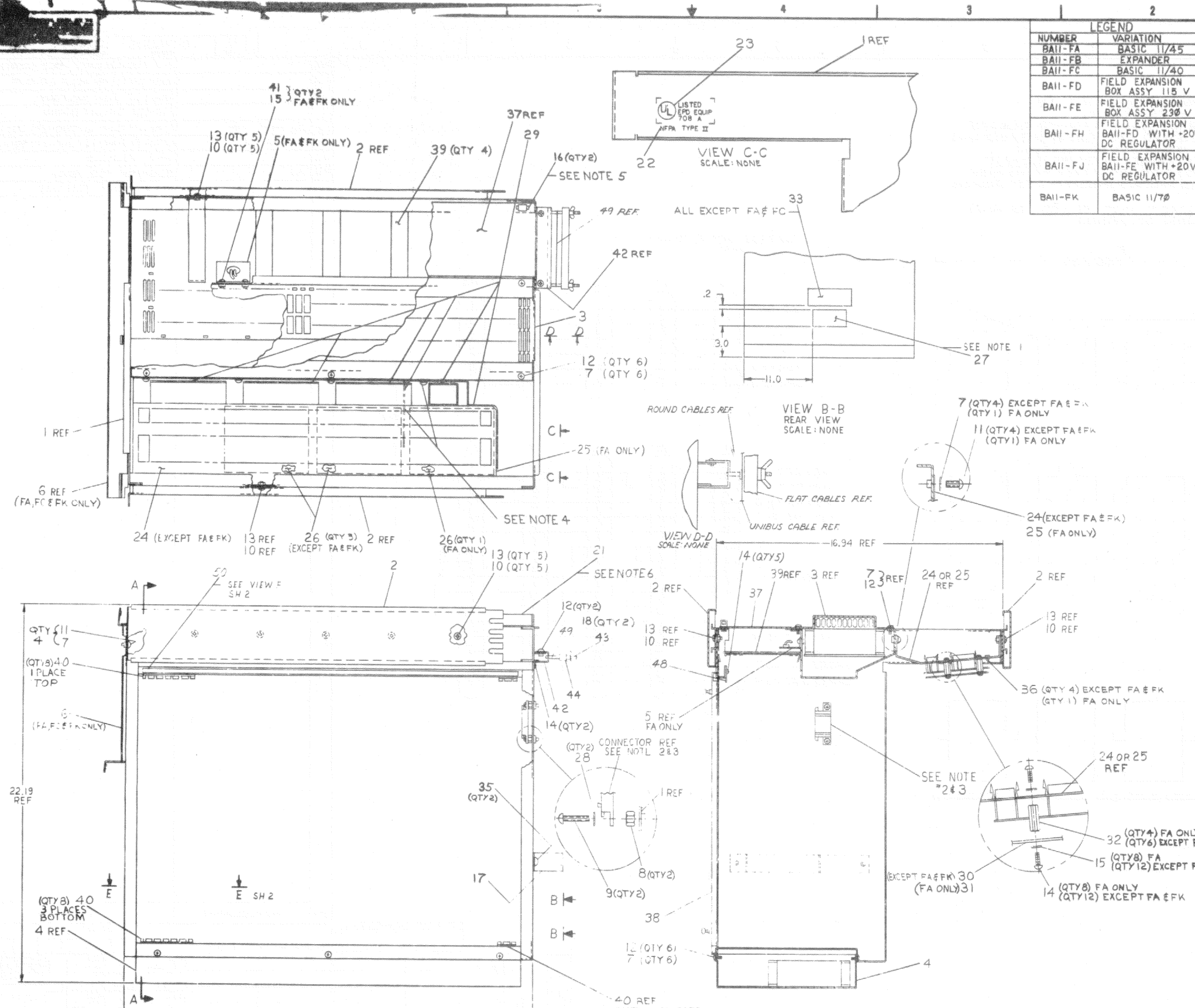
  

DRN. R Counter	DATE 10-11-73	<b>digital</b> EQUIPMENT CORPORATION WATYARD, MASSACHUSETTS TITLE SYSTEM UNIT POWER DISTRIBUTOR		
ENGR. J.S. [Signature]	DATE 1/20/73			
PROJ. ENG. [Signature]	DATE 1/1/73			
PROD. [Signature]	DATE 8-1-73			
NEXT HIGHER ASSY				
SCALE		SIZE CODE	NUMBER	REV.
SHEET	OF 1	DCSI	5410590-0-1	B

IC TYPE	GND	+5V
GND AND 5V ARE USUALLY PIN 7 AND 14 RESPECTIVELY. EXCEPTIONS ARE STATED ABOVE.		
IC PIN LOCATIONS		

NUMBER 5410590-0-1  
 SIZE CODE DCSI  
 REV B





LEGEND	
NUMBER	VARIATION
BALI-FA	BASIC 11/45
BALI-FB	EXPANDER
BALI-FC	BASIC 11/40
BALI-FD	FIELD EXPANSION BOX ASSY 115 V
BALI-FE	FIELD EXPANSION BOX ASSY 230 V
BALI-FH	FIELD EXPANSION BALI-FD WITH +20V DC REGULATOR
BALI-FJ	FIELD EXPANSION BALI-FE WITH +20V DC REGULATOR
BALI-FK	BASIC 11/70

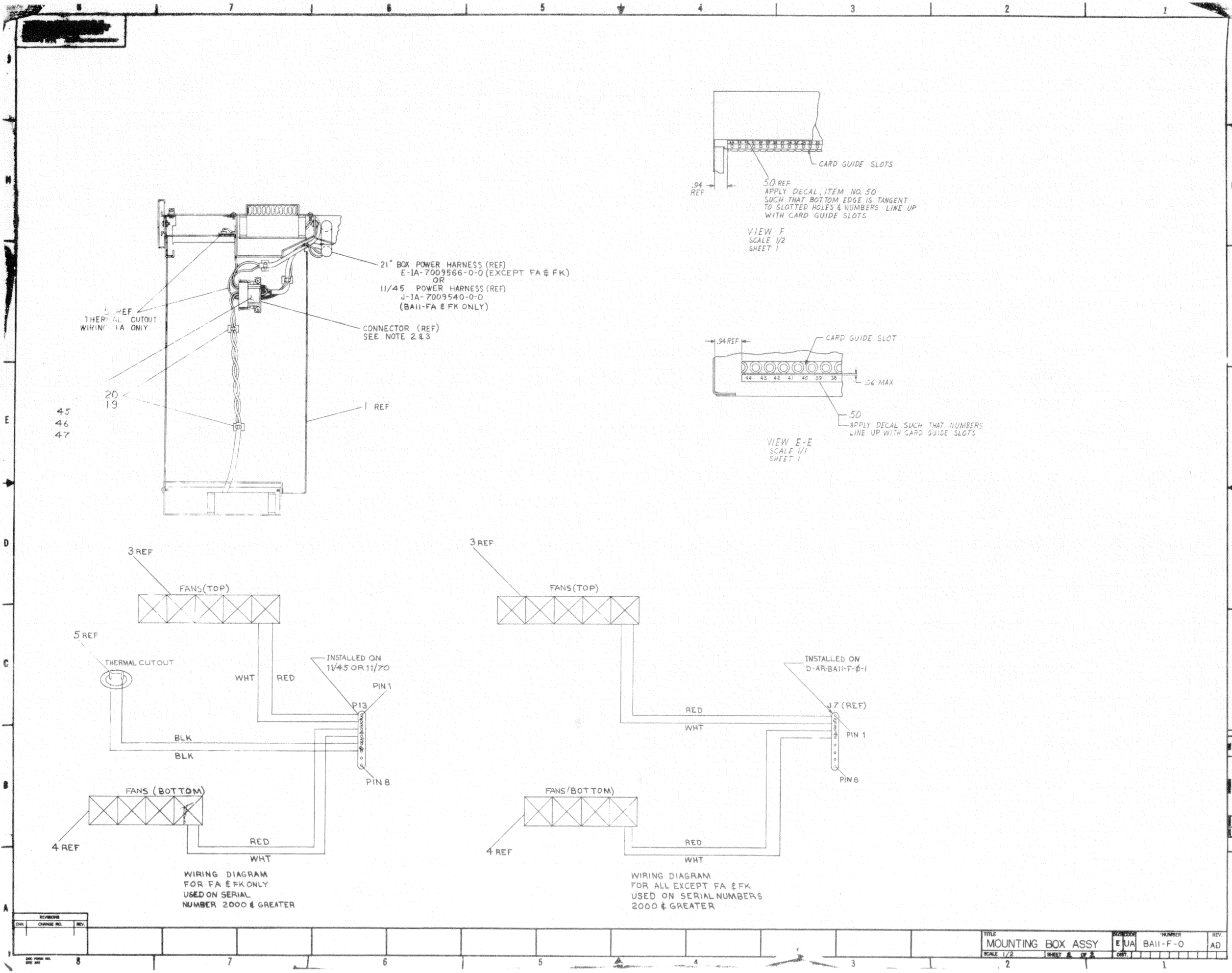
- NOTES:
- MECHANICAL STATUS DECAL MUST SHOW BOX VARIATION AND REVISION.
  - CONNECTOR P13 PART OF HARNESS 7009540 IS INSTALLED AT NEXT HIGHER ASSY 11/43 OR 11/70 IT IS SHOWN FOR REF ONLY, ABOVE INFO IS FOR BALI-FA & FK ONLY.
  - CONN J7 SHOWN FOR REF ONLY MATES WITH P7 PART OF HARNESS \*7009566 THEY ARE INSTALLED AT NEXT HIGHER ASSY D-AR-BALI-F-0, ABOVE INFO IS FOR BALI-FD, FE, FH & FJ ONLY.
  - ITEM \*24 OR 25 USING PARTS \*74 11 TO BE MOUNTED TO LOCATION INDICATED (FOR FA ONLY).
  - INSTALL ITEM \*16 BY PUSHING IT INTO COVER ITEM \*37, WHEN COVER IS CLOSED \*16 WILL AUTOMATICALLY LOCK TO CHASSIS ITEM \*1.
  - ITEM \*21 D-AR-BALI-F-0 ON THIS PARTS LIST IS FOR EXPANSION UNIT.

SECTION A-A

OFF SHEET PARTS LIST SEE A-PL-BALI-F-0

FIRST LIST OF COMPONENTS		QTY	DESCRIPTION	PART NO.
11/45				
MOUNTING BOX ASSY				
D-UA-11/45-0-0				
SCALE 1/2				
SHEET 1 OF 2				

BALI-F-0



REVISIONS		
CHR	CHANGE NO.	REV.

DIGITAL EQUIPMENT CORPORATION MAYNARD, MASSACHUSETTS			QUANTITY / VARIATION							
PARTS LIST			BALL-FA	BALL-FB	BALL-FC	BALL-FD	BALL-FE	BALL-FH	BALL-FJ	BALL-FK
MADE BY	CHECKED	SECTION								
B. BLODGETT	D. HEALY	1								
DATE	DATE	ISSUED SECT.								
5/30/74	9/18/74	1								
ENG	PROD	ISSUED SECT.								
J.W. King	J. Borndorfer	1								
DATE	DATE	ISSUED SECT.								
12/10/74	12/10/74	1								
ITEM NO.	DWG NO. / PART NO.	DESCRIPTION	BALL-FA	BALL-FB	BALL-FC	BALL-FD	BALL-FE	BALL-FH	BALL-FJ	BALL-FK
1	E-IA-7010083-0-0	CHASSIS	1	1	1	1	1	1	1	1
2	1209152-2	SLIDE CHASSIS 23" TRAVEL	1	1	1	1	1	1	1	1
3	E-IA-7010253-0-0	FAN ASSY (TOP)	1	1	1	1	1	1	1	1
4	E-IA-7010351-0-0	FAN ASSY (BOTTOM)	1	1	1	1	1	1	1	1
5	C-AD-7010082-0-0	THERMAL SWITCH BRKT ASSY	1	-	-	-	-	-	1	-
6	E-IA-7409272-0-0	BRKT. BEZEL MTG.	1	-	1	-	-	-	1	-
7	9006634	WASHER INT. TOOTH #8	16	15	16	15	15	15	15	10
8	9006818	SPACER .38 AF. X .25 LG. AL. #8	2	2	2	2	2	2	2	2
9	9006041-1	SCR. PHL. PAN HD #8-32 X .75 LG.	2	2	2	2	2	2	2	2
10	9006565	NUT KEPS #10-32	10	10	10	10	10	10	10	10
11	9006037-1	SCR. PHL. PAN HD #8-32 X .38	7	6	10	6	6	6	6	2
12	9006418-1	SCR. SELF TAP. 8-32 X .38	12	12	12	12	12	12	12	12
13	9006071-3	SCR. PH. TRUSSHD #10-32 X .38 LG.	10	10	10	10	10	10	10	10
14	9006022-1	SCR. PH. PAN HD #6-32 X .38 LG.	7	7	7	7	7	7	7	7
15	9006633	WASHER INT. TOOTH #6	10	14	14	14	14	14	14	2
16	9009537	SQUEEZE RELEASE	2	2	2	2	2	2	2	2
17	C-MD-7413130-0-0	CLAMP, CABLE	1	1	1	1	1	1	1	1
18	9006571	NUT, WING #8-32	2	2	2	2	2	2	2	2
19	9007880	TIE WRAPS	6	3	3	3	3	3	3	3
20	9008264	MOUNT ADH. BACK	6	3	3	3	3	3	3	3
21	D-AR-BALL-F-Ø1	BALL-F ACCESSORY ARRANGEMENT	-	-	-	1	1	1	1	1
22	A-DC-5309413-0-0	DECAL, NFPA TYPE (UL)	1	1	1	1	1	1	1	1

TITLE	ASSY NO.	SIZE CODE	NUMBER	REV.	ECO NO.
MOUNTING BOX ASSY	D-UA-BALL-F-Ø	A PL	BALL-F-0	AD	BALL-F-00028
SHEET 1 OF 3	DIST.				

DEC FORM DEC 16 (325) 1031 N870  
DRA 110

DIGITAL EQUIPMENT CORPORATION MAYNARD, MASSACHUSETTS			QUANTITY / VARIATION							
PARTS LIST			BALL-FA	BALL-FB	BALL-FC	BALL-FD	BALL-FE	BALL-FH	BALL-FJ	BALL-FK
MADE BY	CHECKED	SECTION								
B. BLODGETT	D. HEALY	1								
DATE	DATE	ISSUED SECT.								
5/30/74	9/18/74	1								
ENG	PROD	ISSUED SECT.								
J.W. King	J. Borndorfer	1								
DATE	DATE	ISSUED SECT.								
12/10/74	12/10/74	1								
ITEM NO.	DWG NO. / PART NO.	DESCRIPTION	BALL-FA	BALL-FB	BALL-FC	BALL-FD	BALL-FE	BALL-FH	BALL-FJ	BALL-FK
45	A-DC-7406960-0-0	DECAL, 115V, 60 CYCLES	A/R	-	A/R	1	-	1	-	-
46	A-DC-7406789-0-0	DECAL, 115V, 50 CYCLES	A/R	-	A/R	-	1	-	1	A/R
47	A-DC-7400972-0-0	DECAL, P7	A/RA	RA	RA	RA	RA	RA	RA	RA
48	D-MD-7414125-0-0	VERTICAL CARD GUIDE	1	1	1	1	1	1	1	1
49	B-IA-701033-0-0	CLAMP UNIBUS CABLE ASSY	1	1	1	1	1	1	1	1
50	A-PS-3613281-02	DECAL, ADHESIVE BACKED, BALL-F	2	2	2	2	2	2	2	2

TITLE	ASSY NO.	SIZE CODE	NUMBER	REV.	ECO NO.
MOUNTING BOX ASSY	D-UA-BALL-F-Ø	A PL	BALL-F-0	AD	BALL-F-00028
SHEET 3 OF 3	DIST.				

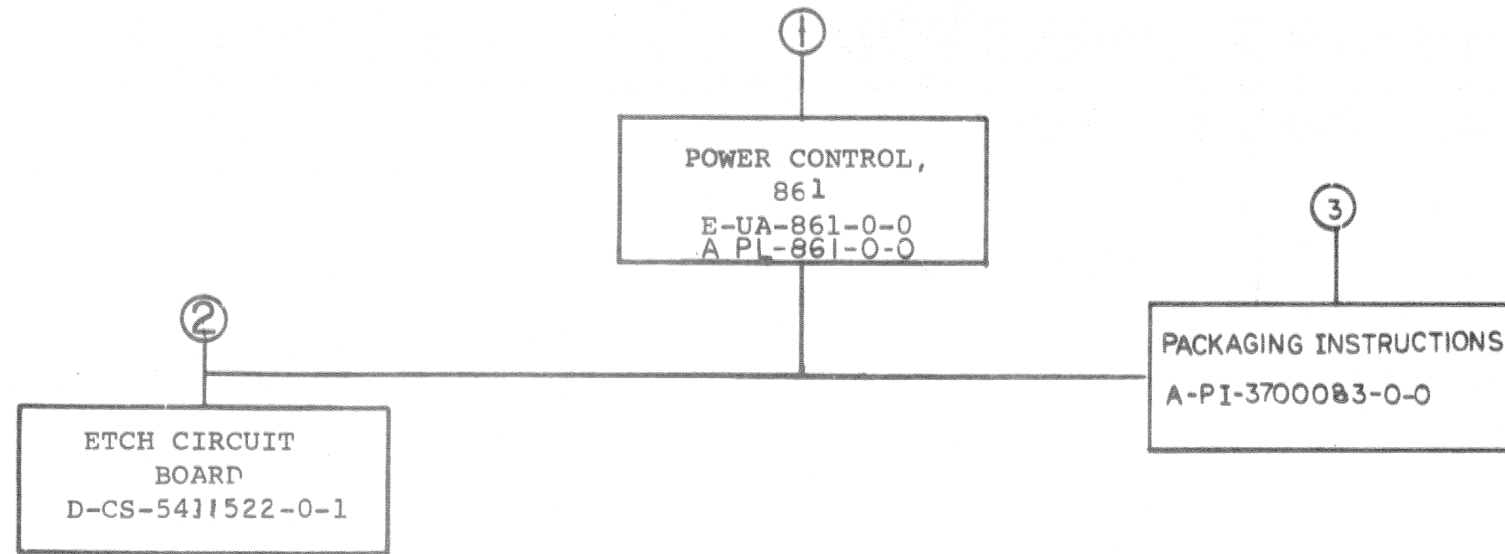
DEC FORM DEC 16 (325) 1031 N870  
DRA 110

DIGITAL EQUIPMENT CORPORATION MAYNARD, MASSACHUSETTS			QUANTITY / VARIATION							
PARTS LIST			BALL-FA	BALL-FB	BALL-FC	BALL-FD	BALL-FE	BALL-FH	BALL-FJ	BALL-FK
MADE BY	CHECKED	SECTION								
B. BLODGETT	D. HEALY	1								
DATE	DATE	ISSUED SECT.								
5/30/74	9/18/74	1								
ENG	PROD	ISSUED SECT.								
J.W. King	J. Borndorfer	1								
DATE	DATE	ISSUED SECT.								
12/10/74	12/10/74	1								
ITEM NO.	DWG NO. / PART NO.	DESCRIPTION	BALL-FA	BALL-FB	BALL-FC	BALL-FD	BALL-FE	BALL-FH	BALL-FJ	BALL-FK
23	A-DC-5309414-0-0	DECAL, EDP. EQUIP. (UL)	1	1	1	1	1	1	1	1
24	D-IA-7411220-0-0	PANEL, POWER DISTRIBUTION	-	1	1	1	1	1	1	-
25	D-IA-7411221-0-0	PANEL, POWER DISTRIBUTION	1	-	-	-	-	-	-	-
26	D-CS-5410590-0-1	PWR. DISTRIBUTION BOARD	1	3	3	3	3	3	3	-
27	A-DC-7411325-0-0	DECAL MECHANICAL STATUS	1	1	1	1	1	1	1	1
28	9008072	WASH EXT. TOOTH #8	2	2	2	2	2	2	2	2
29	9007622	GROMMET, NYLON	12	60	60	60	60	60	60	60
30	C-MD-7411363-0-0	KNUCKLE GUARD	-	1	1	1	1	1	1	-
31	B-MD-7411364-0-0	KNUCKLE GUARD (11/45)	1	-	-	-	-	-	-	-
32	9006859	SPACER .25 AF X .75 LG. #6-32	4	6	6	6	6	6	6	-
33	A-DC-7411324-0-0	EXPANDER BOX DECAL	-	1	-	1	1	1	1	1
34	9006662	WASH. FLAT .500 O.D. X .187 I.D.	2	2	2	2	2	2	2	2
35	9006071-1	SCR. PH. HD PAN 10-32 X .38	2	2	2	2	2	2	2	2
36	9007867	CABLE TIE MOUNT	1	4	4	4	4	4	4	1
37	E-MD-7412587-0-0	COVER, TABLE TROUGH	1	1	1	1	1	1	1	1
38	E-MD-7412585-0-0	COVER, LEFT SIDE	1	1	1	1	1	1	1	1
39	B-MD-7412297-0-0	TROUGH, SUPPORT (CHASSIS)	4	4	4	4	4	4	4	4
40	D-PS-1211630-0-0	CARD GUIDE	32	32	32	32	32	32	32	32
41	9006020-1	SCR. PHL HD PAN #6-32 X .25	2	-	-	-	-	-	-	2
42	C-MD-7413106-0-0	CLAMP, CABLE	1	1	1	1	1	1	1	1
43	C-MD-7413107-0-0	BAR, CABLE	1	1	1	1	1	1	1	1
44	C-MD-7413108-0-0	U/BOLT CABLE	1	1	1	1	1	1	1	1

TITLE	ASSY NO.	SIZE CODE	NUMBER	REV.	ECO NO.
MOUNTING BOX ASSY	D-UA-BALL-F-Ø	A PL	BALL-F-0	AD	BALL-F-00028
SHEET 2 OF 3	DIST.				

DEC FORM DEC 16 (325) 1031 N870  
DRA 110





TITLE	SHEET 2 OF 3	SIZE CODE	NUMBER	REV
POWER CONTROL		B DD	861-0	J









WIRE TABLE 861-A

ITEM NO	DESCRIPTION	FROM	TO	REMARKS
AWG	COLOR	CONN POINT	CONN POINT	
2		R1-1	R1-4	70.61 1. IN
2		R1-2	R1-5	70.61 1. IN
73	14 BLU	K1-B3	P6-S2	60 4.25 IN
72	BRN	K1-B3	P4-S2	60 4.25 IN
71	BLK	K1-B3	C1-3B	63 3.5 IN
72	BRN	K1-B2	P5-S1	60 4.5 IN
72	BRN	K1-B2	P3-S1	60 4.5 IN
72	BRN	K1-B2	C1-2B	60 3.1 IN
72	BRN	P6-B2	P6-B1	60 3.1 IN
71	BLK	K1-B1	C1-1B	60 3.1 IN
71	BLK	P4-B2	P4-B1	60 3.1 IN
73	14 BLU	CBI-C2	P1-S1	60 3.1 IN
64	12 BRN	K1-A3	K1-A3	55 3.5 IN
73	14 BLU	K1-A3	P16-2	23.21 3.75 IN
65	12 BRN	CBI-B2	K1-A2	55 4.75 IN
72	14 BRN	CBI-B2	P1-B1	60 10.5 IN
64	12 BLK	CBI-A2	K1-A1	55 7.5 IN
71	14 BLK	CBI-A2	P2-B1	60 6. IN
71	14 BLK	K1-A1	P15-3	23.22 5.5 IN
72	14 BRN	K1-A2	K1-4	63 3. IN
72	14 BRN	P16-1	K1-5	63 7.5 IN
73	14 BLU	P1-S2	P2-S1	60 3. IN
66	12 BLU	CBI-C1	F10-A	55 5.5 IN
9	RED	I1-A	CBI-C1	57 4. IN
9	RED	I2-A	CBI-C1	58 3.75 IN
9	BLK	I1-B	CBI-A1	55 3. IN
64	12 BLK	F10-C	CBI-A1	55 4.75 IN
9	BLK	I2-B	CBI-B1	55 4.25 IN
65	12 BRN	F10-B	CBI-B1	55 4.25 IN
74	14 ORN	P14-1	T1-1	63 10. IN
74	14 ORN	P14-2	T1-2	63 10. IN
68	12 GRN/YEL	F10-G	G1	55 4.75 IN
67	14 GRN/YEL	P17	SOLD G1	57 7.75 IN
2		R2-1	C1-3A	59 1. IN
2		R3-1	C1-1A	59 1.25 IN
2		R3-2	C1-2A	59 1. IN
24	12 BLK	P9-Y	F1-I-C	25 15. FT
29	16 WHT	P9-X	F1-I-A	57 9. FT
29	16 RED	P9-X	F1-I-B	57 9. FT
26	12 GRN	P9-G	F1-I-G	25 15. FT

WIRE TABLE 861-B

ITEM NO	DESCRIPTION	FROM	TO	REMARKS
AWG	COLOR	CONN POINT	CONN POINT	
3		R1-1	K1-4	70.61 1. IN
3		R1-2	K1-5	70.61 1. IN
73	14 BLU	K1-B3	P6-S1	60 4. IN
72	BRN	K1-B3	P4-S1	60 4. IN
71	BLK	K1-B3	C1-3B	63 3.5 IN
72	BRN	K1-B2	P5-S1	60 4.5 IN
72	BRN	K1-B2	P3-S1	60 4.5 IN
72	BRN	K1-B2	C1-2B	60 3.1 IN
72	BRN	P6-B2	P6-B1	60 3.1 IN
71	BLK	K1-B1	C1-1B	60 3.1 IN
71	BLK	P4-B2	P4-B1	60 3.1 IN
73	14 BLU	CBI-C2	P1-S1	60 3.1 IN
64	12 BRN	K1-A3	K1-A3	55 3.5 IN
73	14 BLU	K1-A3	P16-2	23.21 3.75 IN
65	12 BRN	CBI-B2	K1-A2	55 4.75 IN
72	14 BRN	CBI-B2	P1-B1	60 10.5 IN
64	12 BLK	CBI-A2	K1-A1	55 7.5 IN
71	14 BLK	CBI-A2	P2-B1	60 6. IN
71	14 BLK	K1-A1	P15-3	23.22 5.5 IN
72	14 BRN	K1-A2	K1-4	63 3. IN
72	14 BRN	P16-1	K1-5	63 7.5 IN
73	14 BLU	P1-S2	P2-S1	60 3. IN
66	12 BLU	CBI-C1	F10-A	55 5.5 IN
9	RED	I1-A	CBI-C1	57 4. IN
9	RED	I2-A	CBI-C1	58 3.75 IN
9	BLK	I1-B	CBI-A1	55 3. IN
64	12 BLK	F10-C	CBI-A1	55 4.75 IN
9	BLK	I2-B	CBI-B1	55 4.25 IN
65	12 BRN	F10-B	CBI-B1	55 4.25 IN
74	14 ORN	P14-1	T1-1	63 10. IN
74	14 ORN	P14-2	T1-2	63 10. IN
68	12 GRN/YEL	F10-G	G1	55 4.75 IN
67	14 GRN/YEL	P17	SOLD G1	57 7.75 IN
3		R2-2	C1-1A	59 1. IN
72	14 BRN	P16-1	K1-5	63 7.5 IN
27	16 BLK	P9-X	F1-I-B	57 9. FT
27	16 WHT	P9-Y	F1-I-A	57 9. FT

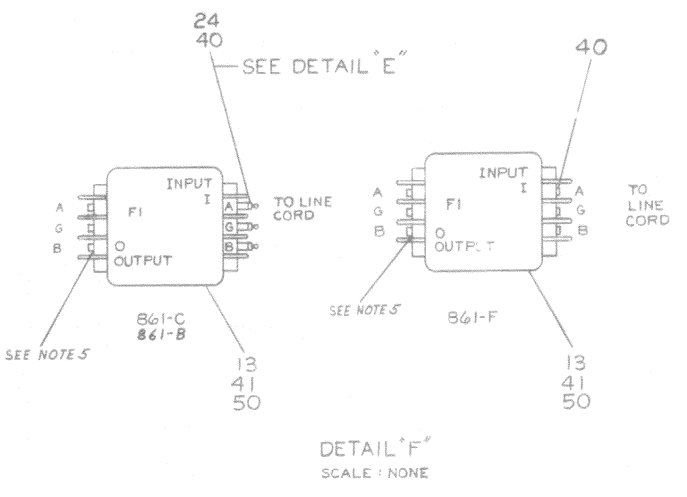
WIRE TABLE 861-C

ITEM NO	DESCRIPTION	FROM	TO	REMARKS
AWG	COLOR	CONN POINT	CONN POINT	
2		R1-1	R1-4	70.61 1. IN
2		R1-2	R1-5	70.61 1. IN
73	14 BLU	K1-B3	P6-S1	60 4.5 IN
72	BRN	K1-B3	P4-S1	60 4.5 IN
71	BLK	K1-B3	C1-3B	63 3.5 IN
72	BRN	K1-B2	P5-B2	60 4.5 IN
71	BLK	K1-B1	P4-B1	60 3.1 IN
73	14 BLU	CBI-C2	P5-S1	60 4.5 IN
73	14 BLU	CBI-C2	P4-S2	60 4.5 IN
73	14 BLU	CBI-C2	C1-3B	63 3.5 IN
72	BRN	K1-B2	C1-2B	60 3.1 IN
71	BLK	K1-B1	C1-1B	60 3.1 IN
72	BRN	CBI-B2	P1-B2	60 10. IN
72	BRN	K1-4	K1-A2	63 3.25 IN
71	BLK	CBI-C2	P2-B1	60 9.0 IN
71	BLK	K1-A1	K1-A1	55 5.75 IN
71	BLK	K1-A1	P15-3	23.22 5.5 IN
73	14 BLU	CBI-A2	P1-S2	60 7.5 IN
73	14 BLU	CBI-A2	K1-A3	55 6. IN
73	14 BLU	CBI-A2	P2-S2	60 3.0 IN
73	14 BLU	CBI-A2	K1-A3	55 3.75 IN
73	14 BLU	CBI-A2	K1-A3	55 6.5 IN
72	BRN	P16-1	K1-5	63 7.5 IN
74	14 ORN	P14-1	T1-1	63 10. IN
74	14 ORN	P14-2	T1-2	63 10. IN
2		R2-1	C1-3A	59 1. IN
2		R3-1	C1-1A	59 1.25 IN
2		R3-2	C1-2A	59 1. IN
66	12 GRN/YEL	F10-G	G1	55 4.75 IN
67	14 GRN/YEL	P17	SOLDER G1	57 7.75 IN
65	12 BRN	CBI-B1	F10-B	55 3.1 IN
64	12 BLK	CBI-C1	F10-B	55 3.25 IN
9	RED	I1-A	CBI-B1	57 4.25 IN
9	RED	I2-A	CBI-B1	57 4.75 IN
9	BLK	I1-B	CBI-A1	57 3.00 IN
9	BLK	I2-B	CBI-A1	57 5.75 IN
64	12 BLU	CBI-A1	F10-A	55 3.75 IN
28	16 GRN	P9-G	F1-I-G	24 15. FT
28	16 BLK	P9-B	F1-I-B	24 15. FT
28	16 WHT	P9-S	F1-I-A	24 15. FT

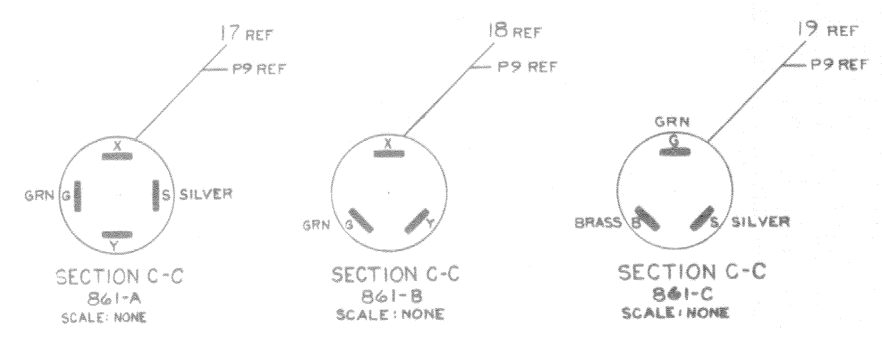
\* STRIP WIRE .38 IN

WIRE TABLE 861-F

ITEM NO	DESCRIPTION	FROM	TO	REMARKS
AWG	COLOR	CONN POINT	CONN POINT	
2		R1-1	K1-4	70.61 1. IN
2		R1-2	K1-5	70.61 1. IN
73	14 BLU	K1-B3	P6-S1	60 5.25 IN
72	BRN	K1-B3	P4-S1	60 4. IN
71	BLK	K1-B3	P6-B1	60 5.25 IN
72	BRN	K1-B2	P5-B2	60 5.25 IN
71	BLK	K1-B1	P4-B1	60 6.25 IN
72	BRN	K1-B2	P3-B2	60 6.25 IN
73	14 BLU	K1-B3	C1-3B	63 3.5 IN
72	BRN	K1-B2	C1-2B	63 3.5 IN
71	14 BLK	K1-B1	C1-1B	63 3.5 IN
2		R2-2	C1-1A	59 1. IN
2		R3-1	C1-3A	59 1. IN
2		R3-2	C1-2A	59 1.25 IN
73	14 BLU	K1-A3	P15-2	23.22 4.25 IN
73	14 BLU	K1-A3	P16-2	23.21 5.75 IN
73	14 BLU	K1-A3	K1-A3	55 6.75 IN
73	14 BLU	CBI-A2	P1-S2	60 8.1 IN
72	BRN	K1-A2	K1-4	63 3.75 IN
71	BRN	K1-A2	K1-A2	60 4.5 IN
71	BRN	CBI-B2	P1-B2	60 8.25 IN
72	BRN	K1-5	P16-1	23.21 4.75 IN
71	BLK	K1-A1	P15-3	23.22 6. IN
71	BLK	CBI-C2	P2-B1	60 8. IN
73	14 BLU	P1-S1	P2-S2	60 3.1 IN
9	BLK	I1-B	CBI-B1	57 4.5 IN
9	BLK	I2-B	CBI-B1	57 4.5 IN
9	RED	I1-A	CBI-A1	57 3.5 IN
9	RED	I2-A	CBI-A1	57 3.5 IN
73	14 BLU	CBI-A1	F10-A	57 3.5 IN
71	BLK	CBI-B1	CBI-B1	55 3. IN
71	BLK	F10-B	CBI-B1	55 3.5 IN
67	14 GRN/YEL	F10-G	G1	57 4.75 IN
67	14 GRN/YEL	P17	SOLD G1	57 7.75 IN
74	14 ORN	P14-1	T1-1	63 10. IN
74	14 ORN	P14-2	T1-2	63 10. IN
73	14 BLU	P5-S1	P6-S2	60 4.5 IN
29	16 GRN	P9-G	F1-I-G	57 9. FT
29	16 BLK	P9-X	F1-I-B	57 9. FT
29	16 WHT	P9-Y	F1-I-A	57 9. FT



DETAIL 'F' SCALE: NONE



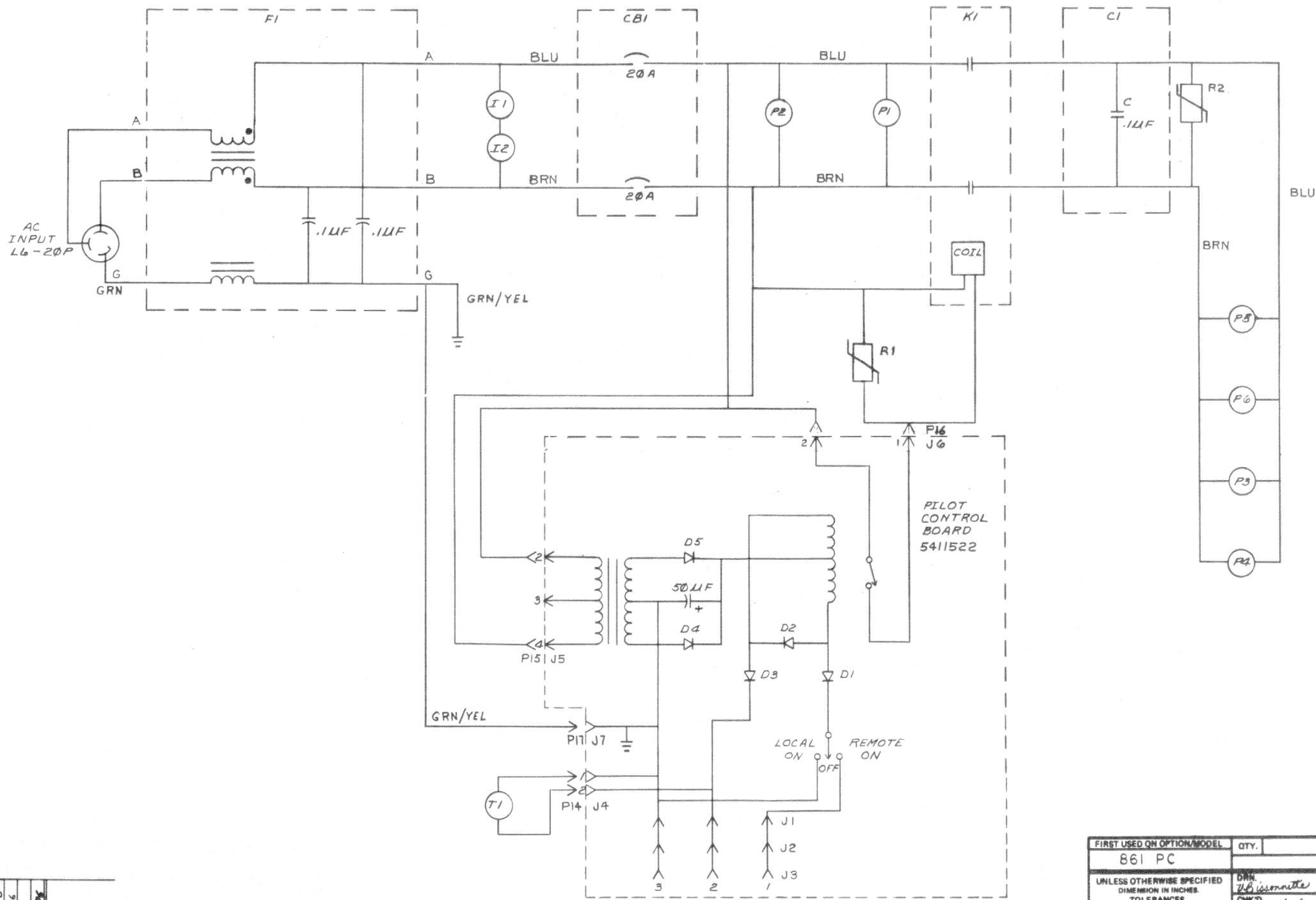
REAR VIEW





The drawing and specifications herein, are the property of Digital Equipment Corporation and shall not be reproduced or copied or used in whole or in part as the basis for the manufacture or sale of items without written permission.

NOTE :  
1. R1+R2 ARE MOV VARISTOR SPIKE SURPRESSORS.

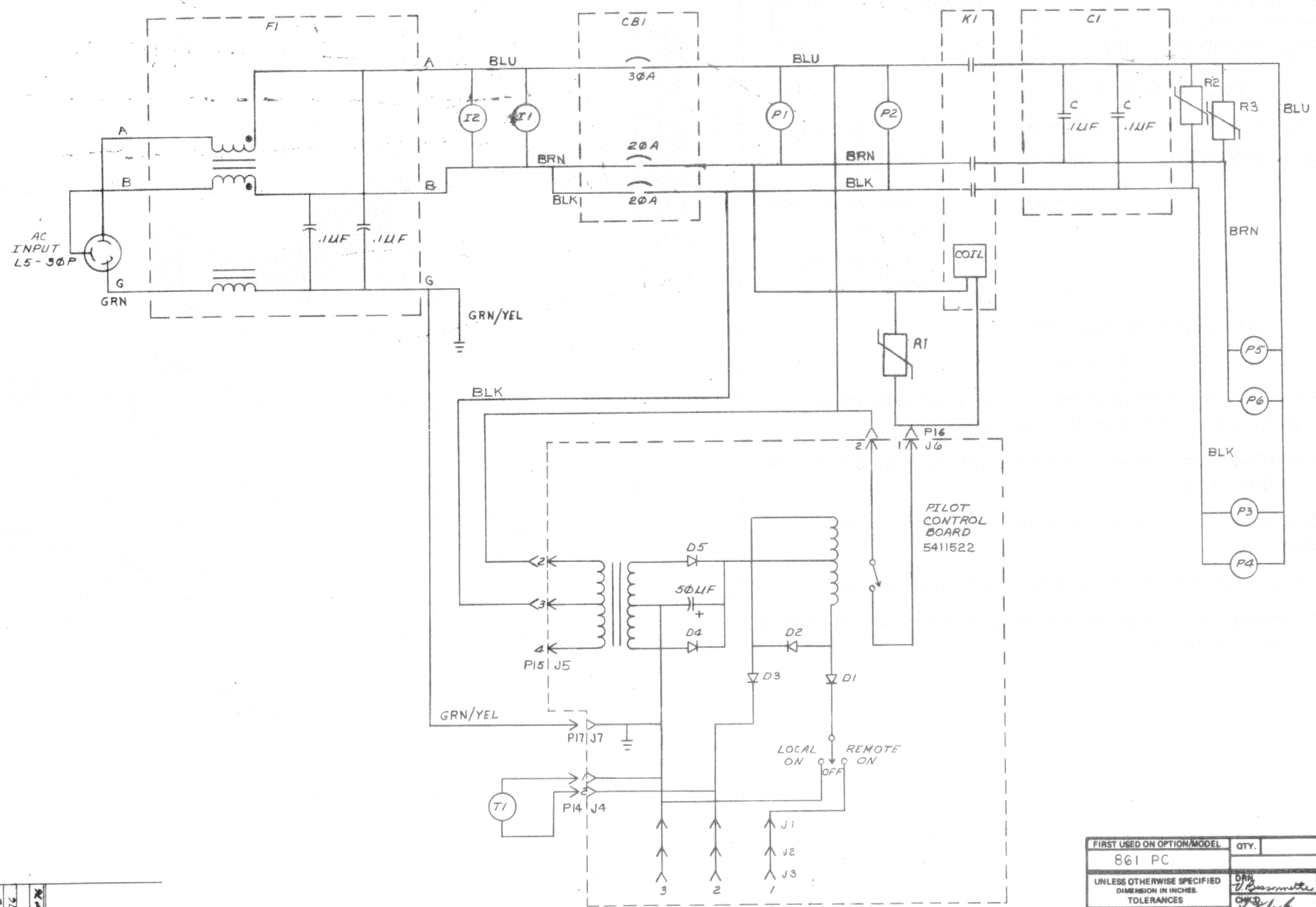


REV.	CHANGE NO.	DATE	BY	CHKD.
A	0008	12-11-72	R. KENNEDY	
B	0009	12-15-72	R. KENNEDY	
C	0010	13-15-72	R. KENNEDY	
D	0011	16-AUG-76	S. CARTER	

FIRST USED ON OPTION/MODEL	QTY.	DESCRIPTION	PART NO.	TRN.
861 PC				
PARTS LIST				
UNLESS OTHERWISE SPECIFIED DIMENSION IN INCHES TOLERANCES		DWN. DATE 9-11-72 CHG'D. DATE 11-72 ENG. DATE 11-72 PRNT. DATE 11-72 PRC'D. DATE 11-72		
DECIMALS .XXX = .005	ANGLES ± 0' 30"	TITLE <b>CIRCUIT SCHEMATIC (861-B-PC)</b>		
.XX = .02	.X = .1			
REMOVE BURRS AND BREAK SHARP CORNERS SURFACE QUALITY		NEXT NUMBER ASBY. B-DD-861-0		
MATERIAL		SCALE	DIST. SHEET OF	
FINISH			DCS 861-B-1	

The drawing and specifications herein are the property of Hughes Aircraft Corporation and shall not be reproduced or used in whole or in part as the basis for the manufacture or sale of items without written permission.

NOTE:  
1. R1, R2 + R3 ARE MOV VARISTOR  
SPIKE SUPPRESSORS.



REV.	DATE	BY	CHKD.
A	12-10-78		
B			
C			
D			

REVISIONS

1. R. KENNEDY 12-10-78

2. R. KENNEDY 12-10-78

3. R. KENNEDY 12-10-78

4. R. KENNEDY 12-10-78

5. R. KENNEDY 12-10-78

6. R. KENNEDY 12-10-78

7. R. KENNEDY 12-10-78

8. R. KENNEDY 12-10-78

9. R. KENNEDY 12-10-78

10. R. KENNEDY 12-10-78

FIRST USED ON OPTION/MODEL	QTY.	DESCRIPTION	PART NO.
861 PC			
UNLESS OTHERWISE SPECIFIED DIMENSION IN INCHES TOLERANCES			
DECIMALS	ANGLES	PARTS LIST	
.XXX - .008	± 0° 30'	EQUIPMENT CORPORATION MILFORD MASSACHUSETTS	
.XX - .02		TITLE CIRCUIT SCHEMATIC 861-C P.C.	
.X - .1		MATERIAL	
REMOVE BURRS AND BREAK SHARP CORNERS SURFACE QUALITY			
NEXT HIGHER ASSEMBLY			
FINISH			

This drawing and specifications, herein, are the property of Digital Equipment Corporation and shall not be reproduced or copied or used in whole or in part as the basis for the manufacture or sale of items without written permission.

DIGITAL EQUIPMENT CORPORATION MAYNARD MASSACHUSETTS			
PACKAGING INSTRUCTION		REV: <u>A</u>	DATE: <u>4-73</u>
TITLE			
861 POWER CONTROL, INTERPLANT PACKAGE			
MATERIAL REQUIREMENTS			
Quantity	Identification No.	Purchase Spec	Description
1	7-2008 1314 0600-0	9905229	Full overlap carton
2		9905228	Expanded polystyrene foam insert
A/R			3-inch wide Glasflex tape
PACKAGING INSTRUCTIONS			
Step	Procedure		
1	Set up the full over lap carton (9905229) using one strip of tape across the bottom and extending up the sides approximately three inches. See Figure 1.		
2	Place one expanded polystyrene foam insert (9905228) in each end of the carton with the slots in the foam facing inward.		
3	Place the 861 power control in the carton with the ears of the upright sliding into the slots in the foam.		
4	Coil the power cord so that it fits into the cavity in the rear of the power control.		
5	Close and seal the carton with one piece of tape across the top of the carton and extending down the sides approximately three inches.		

ENG. <i>[Signature]</i>	APPD. <i>[Signature]</i>	SIZE A	CODE PI	NUMBER 3700083-0-0	REV A
-------------------------	--------------------------	-----------	------------	-----------------------	----------

This drawing and specifications, herein, are the property of Digital Equipment Corporation and shall not be reproduced or copied or used in whole or in part as the basis for the manufacture or sale of items without written permission.

PACKAGING INSTRUCTION		REV: <u>A</u>	DATE: <u>4/73</u>
TITLE			
861 POWER CONTROL, INTERPLANT PACKAGE			
FIGURE 1			
<p>NOTE Make changes to the "C" size original only and rephotograph.</p>			
ENG. <i>[Signature]</i>	APPD. <i>[Signature]</i>	SIZE A	CODE PI
NUMBER 3700083-0-0		REV A	

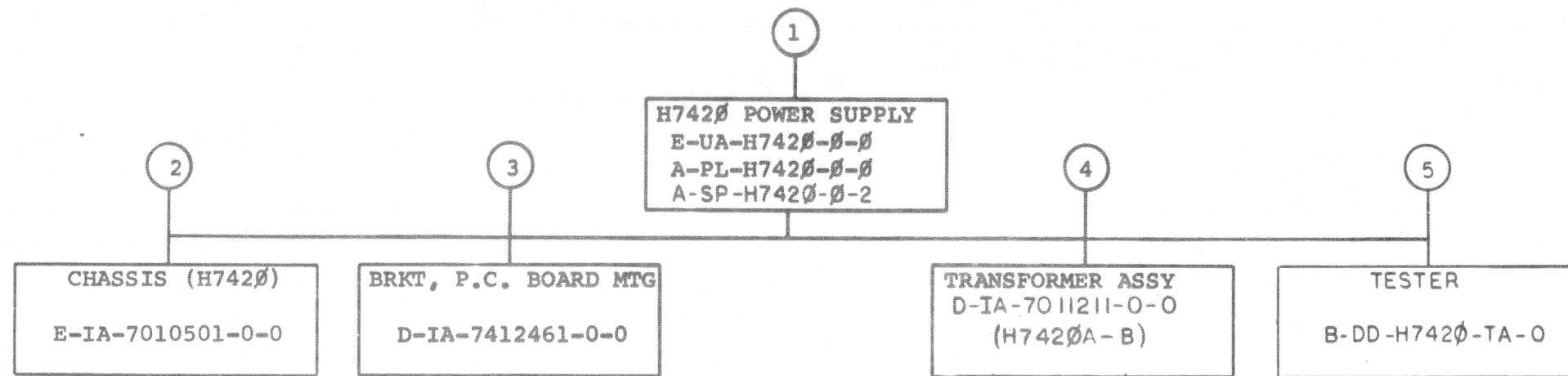












TITLE	SHEET 2 OF 3	SIZE CODE	NUMBER	REV
H742ø POWER SUPPLY	B DD	H742ø-ø	E	





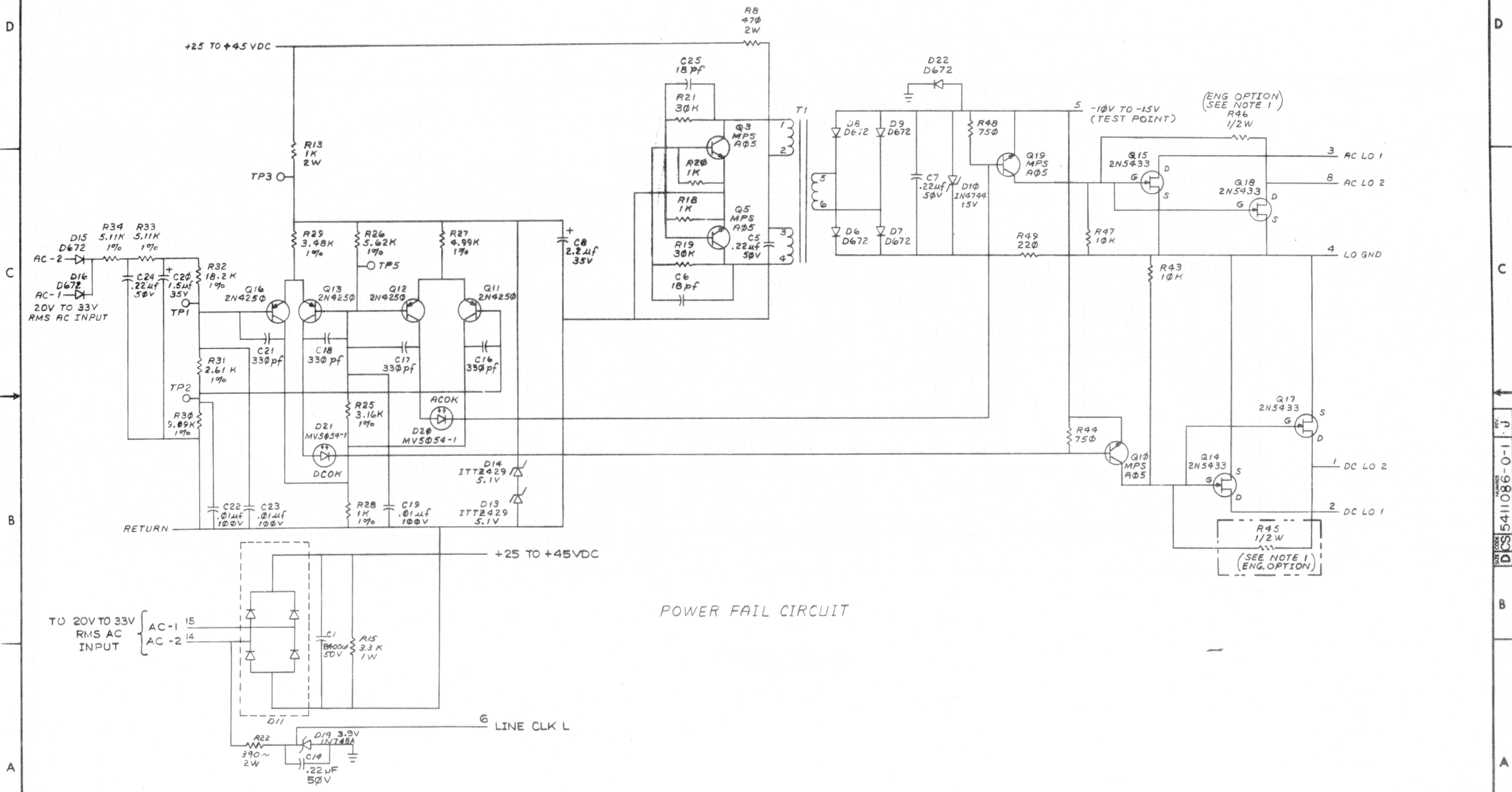








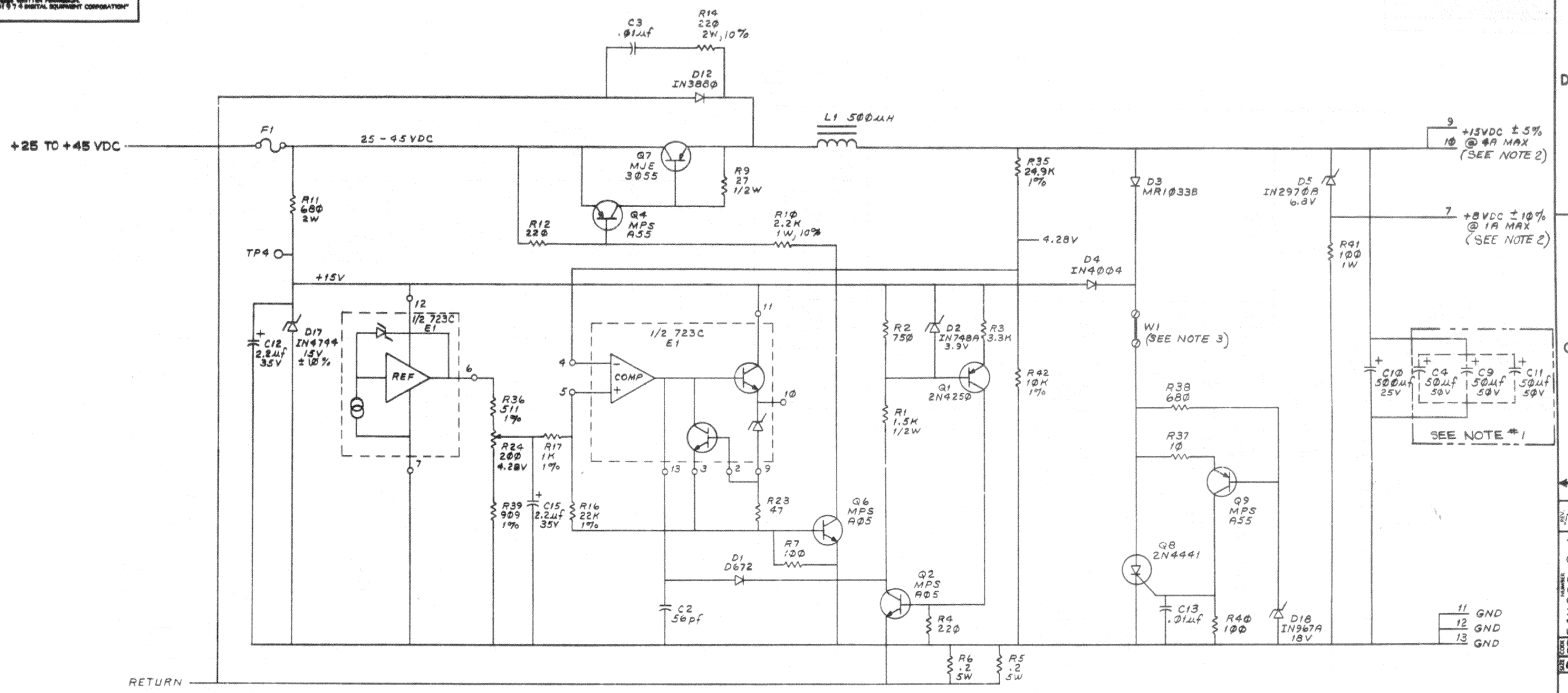
"THE DRAWING AND SPECIFICATIONS HEREIN ARE THE PROPERTY OF DIGITAL EQUIPMENT CORPORATION AND SHALL NOT BE REPRODUCED OR COPIED OR USED IN WHOLE OR IN PART AS THE BASIS FOR THE MANUFACTURE OR SALE OF OTHER EQUIPMENT WITHOUT WRITTEN PERMISSION. COPYRIGHT © 1974 DIGITAL EQUIPMENT CORPORATION"



REVISIONS		
CHK	CHANGE NO.	REV.

DCS 5411086-0-1 J

"THE DRAWING AND SPECIFICATIONS HEREIN ARE THE PROPERTY OF BUSH, BARNETT CORPORATION AND SHALL NOT BE REPRODUCED OR COPIED OR USED IN WHOLE OR IN PART AS THE BASIS FOR THE MANUFACTURE OR SALE OF ITEMS UNLESS WRITTEN PERMISSION IS GRANTED BY BUSH, BARNETT CORPORATION"

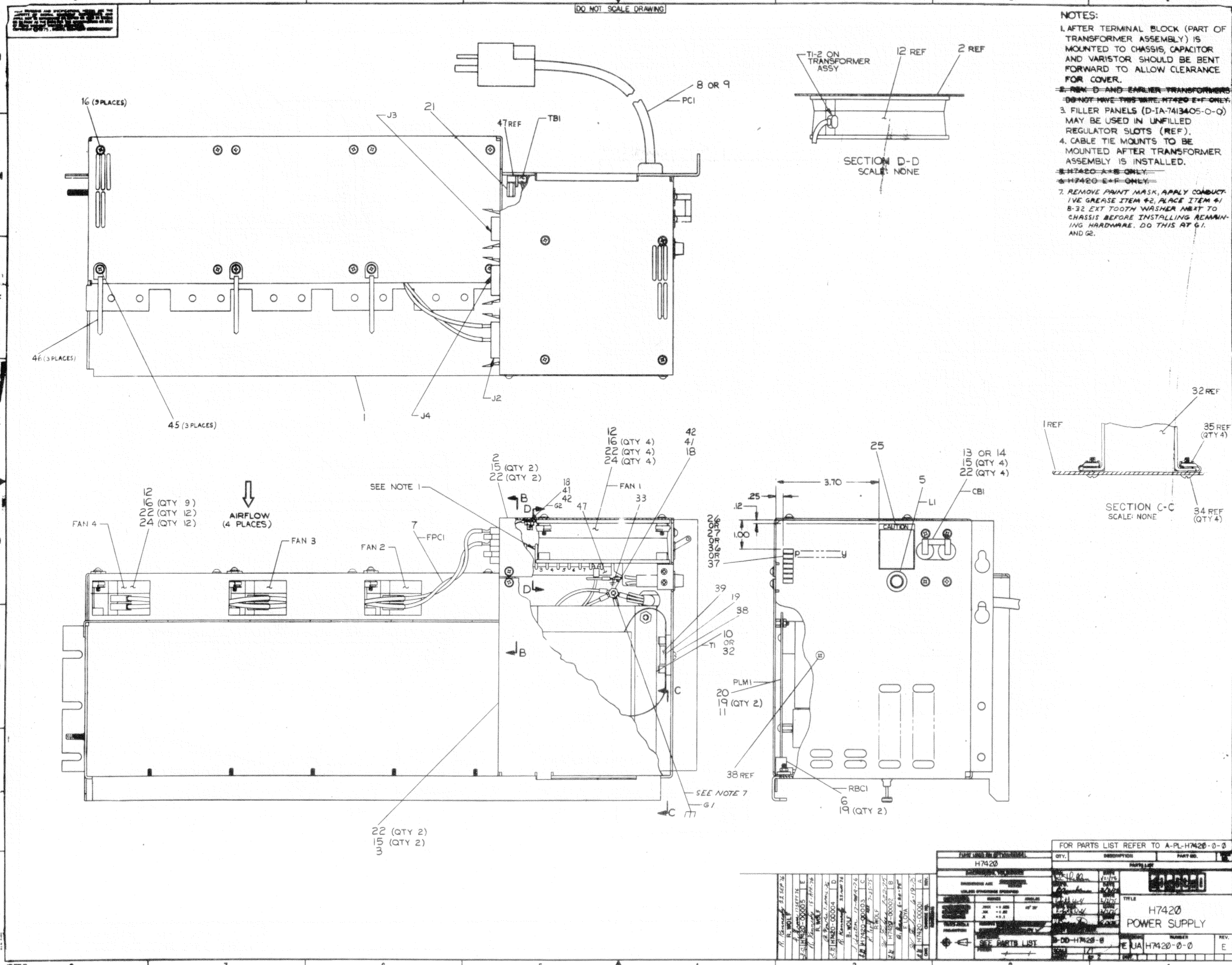


15V REGULATOR  
(SEE NOTE #4)

REVISIONS		
CHK	CHANGE NO.	REV.

TITLE	PWR. LINE MONITOR/15V REG.	SIZE CODE	NUMBER	REV.
SCALE	—	SHEET	4 OF 4	
DCS 5411086-0-1		DIST.		

DO NOT SCALE DRAWING



**NOTES:**

- AFTER TERMINAL BLOCK (PART OF TRANSFORMER ASSEMBLY) IS MOUNTED TO CHASSIS, CAPACITOR AND VARISTOR SHOULD BE BENT FORWARD TO ALLOW CLEARANCE FOR COVER.
- FOR D AND EARLIER TRANSFORMERS DO NOT HAVE THIS WIRE. H7420-E-F ONLY.
- FILLER PANELS (D-IA-7413405-0-0) MAY BE USED IN UNFILLED REGULATOR SLOTS (REF).
- CABLE TIE MOUNTS TO BE MOUNTED AFTER TRANSFORMER ASSEMBLY IS INSTALLED.
- H7420-A-B ONLY.
- H7420-E-F ONLY.
- REMOVE PAINT MASK, APPLY CONDUCTIVE GREASE ITEM #2, PLACE ITEM #1 B-32 EXT TOOTH WASHER NEXT TO CHASSIS BEFORE INSTALLING REMAINING HARDWARE. DO THIS AT G1 AND G2.

FOR PARTS LIST REFER TO A-PL-H7420-0-0

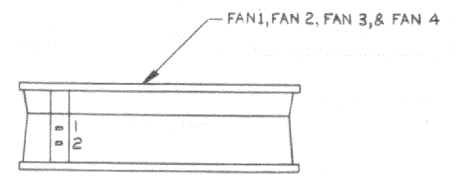
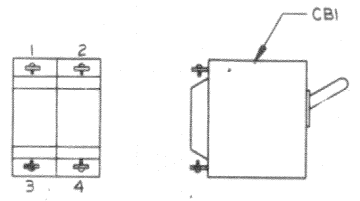
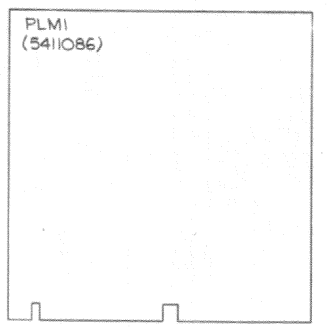
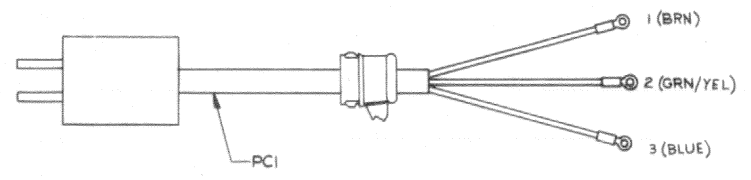
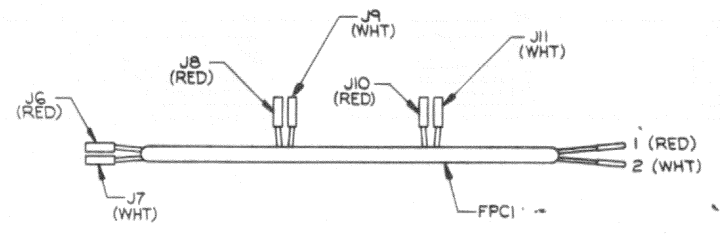
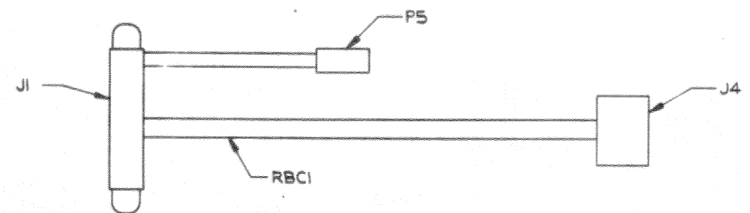
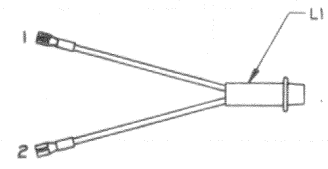
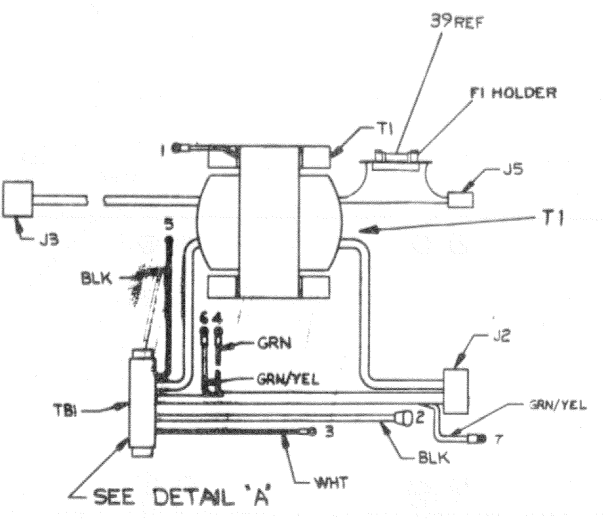
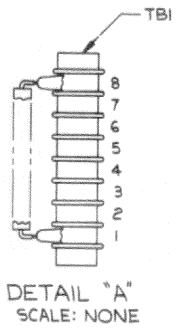
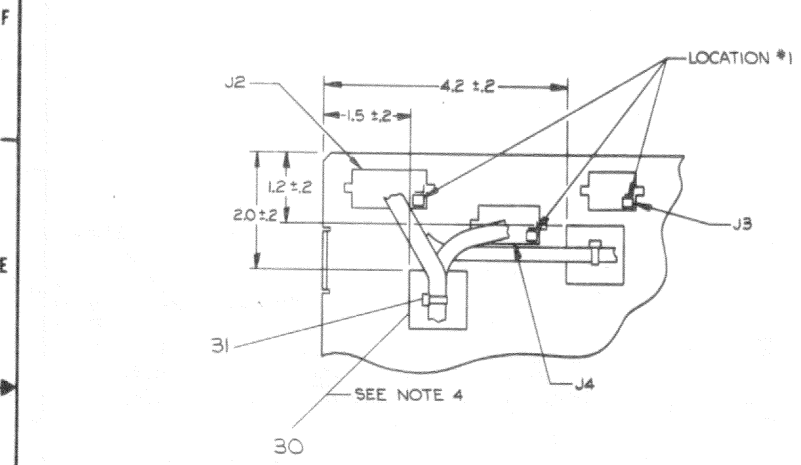
QTY.	DESCRIPTION	PART NO.
1	POWER SUPPLY	H7420
1	TRANSFORMER ASSEMBLY	TI-2
4	RESISTOR	12
4	RESISTOR	22
4	RESISTOR	24
9	WASHER	16
12	WASHER	22
12	WASHER	24
2	WASHER	15
2	WASHER	19
4	WASHER	32
4	WASHER	35
4	WASHER	34
2	WASHER	6
2	WASHER	19
2	WASHER	22
2	WASHER	15
2	WASHER	3
2	WASHER	177
2	WASHER	11
2	WASHER	20
2	WASHER	19
2	WASHER	38
2	WASHER	39
2	WASHER	10
2	WASHER	32
2	WASHER	11
2	WASHER	20
2	WASHER	19
2	WASHER	38
2	WASHER	39
2	WASHER	10
2	WASHER	32
2	WASHER	11
2	WASHER	20
2	WASHER	19
2	WASHER	38
2	WASHER	39
2	WASHER	10
2	WASHER	32
2	WASHER	11
2	WASHER	20
2	WASHER	19
2	WASHER	38
2	WASHER	39
2	WASHER	10
2	WASHER	32
2	WASHER	11
2	WASHER	20
2	WASHER	19
2	WASHER	38
2	WASHER	39
2	WASHER	10
2	WASHER	32
2	WASHER	11
2	WASHER	20
2	WASHER	19
2	WASHER	38
2	WASHER	39
2	WASHER	10
2	WASHER	32
2	WASHER	11
2	WASHER	20
2	WASHER	19
2	WASHER	38
2	WASHER	39
2	WASHER	10
2	WASHER	32
2	WASHER	11
2	WASHER	20
2	WASHER	19
2	WASHER	38
2	WASHER	39
2	WASHER	10
2	WASHER	32
2	WASHER	11
2	WASHER	20
2	WASHER	19
2	WASHER	38
2	WASHER	39
2	WASHER	10
2	WASHER	32
2	WASHER	11
2	WASHER	20
2	WASHER	19
2	WASHER	38
2	WASHER	39
2	WASHER	10
2	WASHER	32
2	WASHER	11
2	WASHER	20
2	WASHER	19
2	WASHER	38
2	WASHER	39
2	WASHER	10
2	WASHER	32
2	WASHER	11
2	WASHER	20
2	WASHER	19
2	WASHER	38
2	WASHER	39
2	WASHER	10
2	WASHER	32
2	WASHER	11
2	WASHER	20
2	WASHER	19
2	WASHER	38
2	WASHER	39
2	WASHER	10
2	WASHER	32
2	WASHER	11
2	WASHER	20
2	WASHER	19
2	WASHER	38
2	WASHER	39
2	WASHER	10
2	WASHER	32
2	WASHER	11
2	WASHER	20
2	WASHER	19
2	WASHER	38
2	WASHER	39
2	WASHER	10
2	WASHER	32
2	WASHER	11
2	WASHER	20
2	WASHER	19
2	WASHER	38
2	WASHER	39
2	WASHER	10
2	WASHER	32
2	WASHER	11
2	WASHER	20
2	WASHER	19
2	WASHER	38
2	WASHER	39
2	WASHER	10
2	WASHER	32
2	WASHER	11
2	WASHER	20
2	WASHER	19
2	WASHER	38
2	WASHER	39
2	WASHER	10
2	WASHER	32
2	WASHER	11
2	WASHER	20
2	WASHER	19
2	WASHER	38
2	WASHER	39
2	WASHER	10
2	WASHER	32
2	WASHER	11
2	WASHER	20
2	WASHER	19
2	WASHER	38
2	WASHER	39
2	WASHER	10
2	WASHER	32
2	WASHER	11
2	WASHER	20
2	WASHER	19
2	WASHER	38
2	WASHER	39
2	WASHER	10
2	WASHER	32
2	WASHER	11
2	WASHER	20
2	WASHER	19
2	WASHER	38
2	WASHER	39
2	WASHER	10
2	WASHER	32
2	WASHER	11
2	WASHER	20
2	WASHER	19
2	WASHER	38
2	WASHER	39
2	WASHER	10
2	WASHER	32
2	WASHER	11
2	WASHER	20
2	WASHER	19
2	WASHER	38
2	WASHER	39
2	WASHER	10
2	WASHER	32
2	WASHER	11
2	WASHER	20
2	WASHER	19
2	WASHER	38
2	WASHER	39
2	WASHER	10
2	WASHER	32
2	WASHER	11
2	WASHER	20
2	WASHER	19
2	WASHER	38
2	WASHER	39
2	WASHER	10
2	WASHER	32
2	WASHER	11
2	WASHER	20
2	WASHER	19
2	WASHER	38
2	WASHER	39
2	WASHER	10
2	WASHER	32
2	WASHER	11
2	WASHER	20
2	WASHER	19
2	WASHER	38
2	WASHER	39
2	WASHER	10
2	WASHER	32
2	WASHER	11
2	WASHER	20
2	WASHER	19
2	WASHER	38
2	WASHER	39
2	WASHER	10
2	WASHER	32
2	WASHER	11
2	WASHER	20
2	WASHER	19
2	WASHER	38
2	WASHER	39
2	WASHER	10
2	WASHER	32
2	WASHER	11
2	WASHER	20
2	WASHER	19
2	WASHER	38
2	WASHER	39
2	WASHER	10
2	WASHER	32
2	WASHER	11
2	WASHER	20
2	WASHER	19
2	WASHER	38
2	WASHER	39
2	WASHER	10
2	WASHER	32
2	WASHER	11
2	WASHER	20
2	WASHER	19
2	WASHER	38
2	WASHER	39
2	WASHER	10
2	WASHER	32
2	WASHER	11
2	WASHER	20
2	WASHER	19
2	WASHER	38
2	WASHER	39
2	WASHER	10
2	WASHER	32
2	WASHER	11
2	WASHER	20
2	WASHER	19
2	WASHER	38
2	WASHER	39
2	WASHER	10
2	WASHER	32
2	WASHER	11
2	WASHER	20
2	WASHER	19
2	WASHER	38
2	WASHER	39
2	WASHER	10
2	WASHER	32
2	WASHER	11
2	WASHER	20
2	WASHER	19
2	WASHER	38
2	WASHER	39
2	WASHER	10
2	WASHER	32
2	WASHER	11
2	WASHER	20
2	WASHER	19
2	WASHER	38
2	WASHER	39
2	WASHER	10
2	WASHER	32
2	WASHER	11
2	WASHER	20
2	WASHER	19
2	WASHER	38
2	WASHER	39
2	WASHER	10
2	WASHER	32
2	WASHER	11
2	WASHER	20
2	WASHER	19
2	WASHER	38
2	WASHER	39
2	WASHER	10
2	WASHER	32
2	WASHER	11
2	WASHER	20
2	WASHER	19
2	WASHER	38
2	WASHER	39
2	WASHER	10
2	WASHER	32
2	WASHER	11
2	WASHER	20
2	WASHER	19
2	WASHER	38
2	WASHER	39
2	WASHER	10
2	WASHER	32
2	WASHER	11
2	WASHER	20
2	WASHER	19
2	WASHER	38
2	WASHER	39
2	WASHER	10
2	WASHER	32
2	WASHER	11
2	WASHER	20
2	WASHER	19
2	WASHER	38
2	WASHER	39
2	WASHER	10
2	WASHER	32
2	WASHER	11
2	WASHER	20
2	WASHER	19
2	WASHER	38
2	WASHER	39
2	WASHER	10
2	WASHER	32
2	WASHER	11
2	WASHER	20
2	WASHER	19
2	WASHER	38
2	WASHER	39
2	WASHER	10
2	WASHER	32
2	WASHER	11
2	WASHER	20
2	WASHER	19
2	WASHER	38
2	WASHER	39
2	WASHER	10
2	WASHER	32
2	WASHER	11
2	WASHER	20
2	WASHER	19
2	WASHER	38
2	WASHER	39
2	WASHER	10
2	WASHER	32
2	WASHER	11
2	WASHER	20
2	WASHER	19
2	WASHER	38
2	WASHER	39
2	WASHER	10
2	WASHER	32
2	WASHER	11
2	WASHER	20
2	WASHER	19
2	WASHER	38
2	WASHER	39

THIS DRAWING AND SPECIFICATIONS, SERIAL AND PART NUMBERS OF MATERIALS, PARTS AND SUBASSEMBLIES ARE THE PROPERTY OF THE UNITED STATES GOVERNMENT AND ARE TO BE USED IN THE MANNER AND FOR THE PURPOSES AUTHORIZED BY THE GOVERNMENT. IT IS TO BE REPRODUCED AND TRANSMITTED IN ANY FORM OR BY ANY MEANS, ELECTRONIC OR MECHANICAL, INCLUDING PHOTOCOPYING, RECORDING, OR BY ANY INFORMATION STORAGE AND RETRIEVAL SYSTEM, WITHOUT PERMISSION IN WRITING FROM THE GOVERNMENT.

DO NOT SCALE DRAWING

WIRE TABLE					
ITEM NO	DESCRIPTION	FROM	TO	REMARKS	
10	14	GRN	T1-1	RBC1-P5	SEE NOTE 2, 7
1	14	GRN	T1-2	FAN1-1 & 2	SEE NOTE 2, 7
1	14	WHT	T1-3	CBI-1	SEE NOTE 7
10	14	GRN	T1-4	G1	SEE NOTE 7
10	14	BLK	T1-5	CBI-2	SEE NOTE 7
5	22	BLK	L1-1	TBI-5	
5	22	BLK	L1-2	TBI-7	
7	18	RED	FPC1-J6	FAN 4-1	
1	1	WHT	FPC1-J7	FAN 4-2	
1	1	RED	FPC1-J8	FAN 3-1	
1	1	WHT	FPC1-J9	FAN 3-2	
1	1	RED	FPC1-J10	FAN 2-1	
1	1	WHT	FPC1-J11	FAN 2-2	
1	1	RED	FPC1-1	J2-3	
7	18	WHT	FPC1-2	J2-7	
8/9	14	BRN	PC1-1	CBI-4	
8/9	14	GRN/YEL	PC1-2	G1	SEE NOTE 7
8/9	14	BLU	PC1-3	CBI-3	
11	11	PLM1	RBC1-J1		
10	14	GRN/YEL	T1-6	G1	SEE NOTE 7
10	14	GRN/YEL	T1-7	G2	SEE NOTE 7

JUMPER TABLE								
ITEM NO	DESCRIPTION	FROM CONNECTION WITH	TO CONNECTION WITH	PRECUT LENGTH	VARIATION			
29	14	BLK	TBI-2	ITEM 28	TBI-6	ITEM 28	3.0	H7420E #A
29	14	BLK	TBI-4	ITEM 28	TBI-8	ITEM 28	3.0	H7420F #B
29	14	BLK	TBI-4	ITEM 28	TBI-6	ITEM 28	3.0	H7420F #B











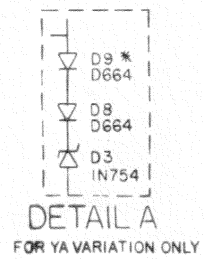
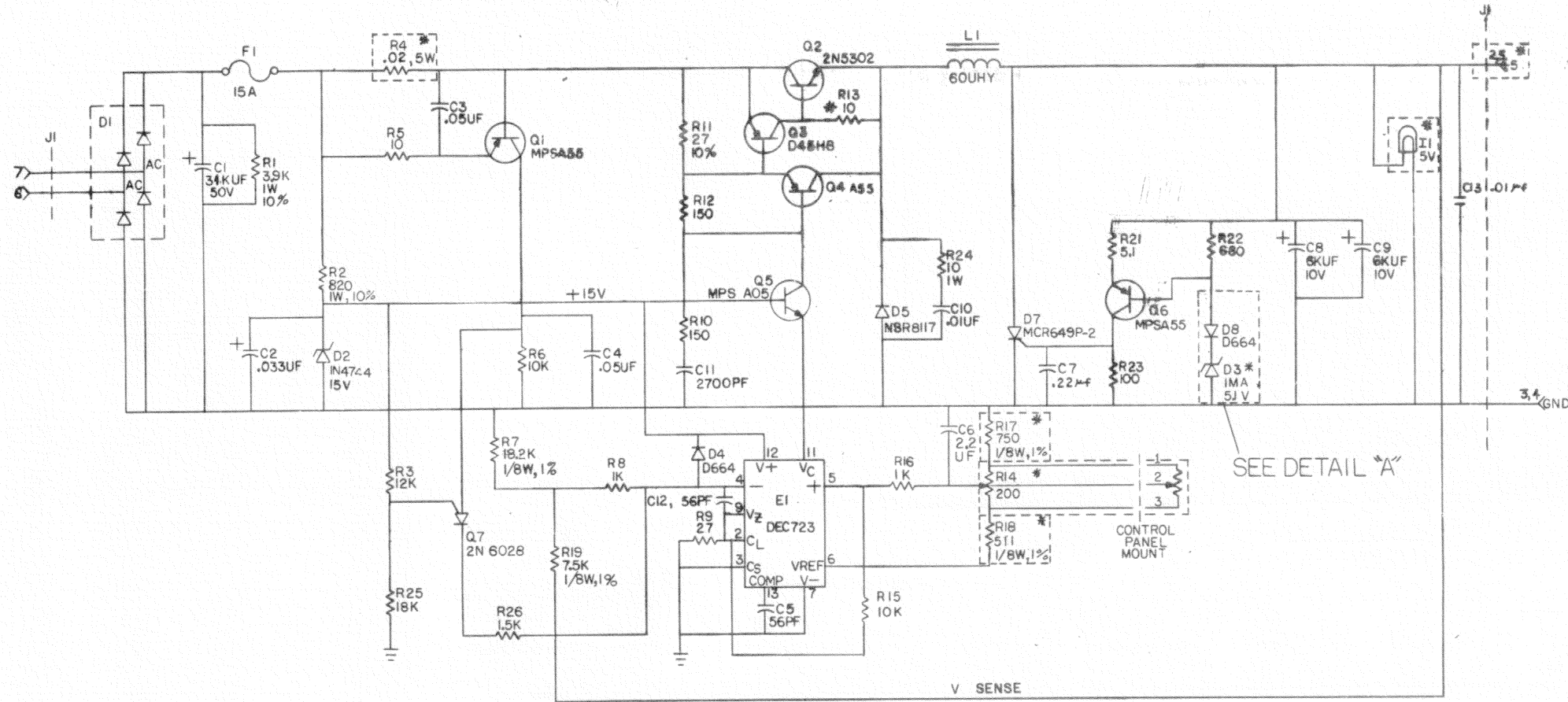


CUSTOMER PRINT SET		ELECTRICAL					CUSTOMER PRINT SET		MECHANICAL									
H744-1		MFG. SET	FIND NO.	REV	NO OF SHT	DESCRIPTION	OPTION NO./FILE DATE	H744-1		MFG. SET	FIND NO.	REV	NO OF SHT	DESCRIPTION	OPTION NO./FILE DATE			
X			1	D-CS-H744-0-1	W	1	CIRCUIT SCHEMATIC	H744	X		1	E-UA-H744-0-0	W	1	UNIT ASSY	H744		
		X		A-SP-H744-0-3			TEST PROCEDURE	H744						D-PS-1210737-0-0	1	HEAT SINK	H744	
		X		A-SP-H744-0-8			MFG. SPEC	H744						D-IA-5309756-0-0	1	REGULATOR BRK'T	H744	
														C-IA-5309760-0-0	1	COMPONENT COVER	H744	
														C-MD-5309759-0-0	1	CAPACITOR STRAP	H744	
														2 A-PI-3700074-0-0	-	2	PACKAGING INSTRUCTION	H744
														A-PS-9905211-0-0	-	2	OUTER CARTON	
														A-PS-9905212-0-0	-	2	INNER PACKAGING	
														C-IA-7412388-0-0		2,5	CAP HOLDER	H744

CUSTOMER PRINT SET CODES  
X = PRINT OF DOCUMENT INCLUDED IN PRINT SET  
C = INCLUDES ALL PRINTS INDICATED ON DOCUMENT  
S = CONFIDENTIAL AUTHORIZED SIGNATURE REQUIRED

TITLE: +5v REGULATOR  
SHEET2 OF 2  
SIZE CODE: B DD  
NUMBER: H744-0  
REV: M

This drawing and specifications, herein, are the property of Digital Equipment Corporation and shall not be reproduced or copied or used in whole or in part as the basis for the manufacture or sale of items without written permission. © 1975 DIGITAL EQUIPMENT CORPORATION



\* FUSIBLE RESISTOR

[ ] FOR YA VARIATION COMPONENT VALUES ARE AS FOLLOWS:  
 R4 - .06 5W  
 R14 - 1K 10 TURN  
 R17 - 300 1/8W 1%  
 R18 - 150 1/4W 5%  
 D3 - IN754  
 I1 - 15V  
 J1-2,5 - +2.0-8.0V  
 \* D9 - D664 ADDED FOR YA VARIATION ONLY

UNLESS OTHERWISE INDICATED:  
 RESISTORS ARE 1/4W, 5%

A. BARON 5-30-74	6 S
A. BARON	
H. BARON 5-5-76	W
H744-00016	
A. BARON 5-10-76	
A. BARON	
H. BARON 2-3-76	V
H744-00015	
G. BARON 9-19-76	
A. BARON	
J. BARON 9-4-75	U
H744-00014	
A. BARON 5-20-76	
A. BARON	
H. BARON 7-11-75	T
H744-00013	
K. BARON 7-7-75	
K. BARON	
H744-00012	S
A. BARON	
H744-00011	R
D. MARTEL	
H744-00010	P
D. MARTEL	
H744-00009	N
D. MARTEL	
H744-00008	M
D. MARTEL	
H744-00007	L
D. MARTEL	
H744-00006	K
D. MARTEL	
H744-00005	J
D. MARTEL	
H744-00004	I
D. MARTEL	
H744-00003	H
D. MARTEL	
H744-00002	F
D. MARTEL	
H744-00001	E
D. MARTEL	

QTY	REF DESIGNATION	DESCRIPTION	PART NO.	ITEM NO.
PARTS LIST				
ETCH BOARD REV F H				
	IN964A	SAME	MPSA55	
	D664	IN3606	2N5302	
	MCR649P-2		D45H8	
	IN751A	SAME	MPSA05	
	IN744	SAME		
	NSR8117			
	2N6028			
DEC NO.	EIA NO.	DEC NO.	EIA NO.	
SEMICONDUCTOR CONVERSION CHART				
SCALE	DIST.	REV.		
SHEET 1	OF 1	NUMBER H744-0-1	REV. W	

**DIGITAL EQUIPMENT CORPORATION**  
 MAYNARD, MASSACHUSETTS  
**5V REGULATOR**

REV. NUMBER H744-0-1





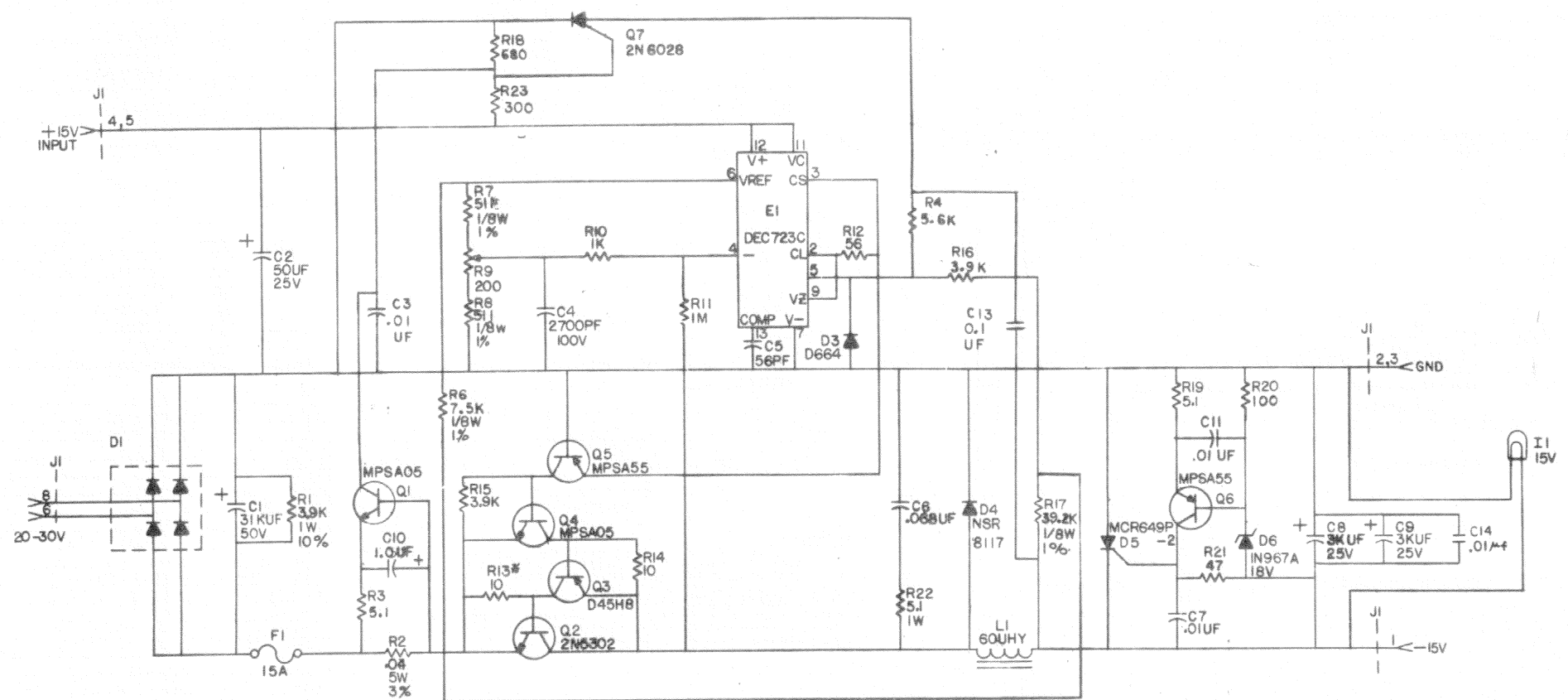




CUSTOMER PRINT SET				ELECTRICAL					CUSTOMER PRINT SET				MECHANICAL							
H745-1				FIG NO.	DRAWING NO.	REV	NO OF SHT	DESCRIPTION	OPTION NO.	H745-1				FIG NO.	DRAWING NO.	REV	NO OF SHT	DESCRIPTION	OPTION NO.	
X				1	D-CS-H745- <del>β</del> -1	V	1	CIRCUIT SCHEMATIC	H745	X				1	E-UA-H745- <del>β</del> -β	V	1	UNIT ASS'Y	H745	
			X		A-SP-H745-TA-2			TEST PROCEDURE	H745						D-PS-1210737-0-0		1	HEAT SINK	H745	
			X		A-SP-H745- <del>β</del> -8			MFG SPEC	H745						D-1A- <del>888</del> 756-0-0		1	REGULATOR BRKT	H745	
															Q-1A-5309761-0-0		1	2 - 5 CAP BRKT	H745	
															C-MD-5309759-0-0		1	CAPACITOR STRAP	H745	
															2	A-PI-370079-0-0	-	2	PACKAGING INSTRUCTIONS	H745
																A-PS-5805211-0-0	-	2	OUTER CARTON	H745
																A-PS-5805212-0-0	-	2	INNER PACKAGE	H745

TITLE	SIZE CODE	NUMBER	REV
-15V REGULATOR	B DD	H745-β	M

This drawing and specifications, herein, are the property of Digital Equipment Corporation and shall not be reproduced or copied or used in whole or in part as the basis for the manufacture or sale of items without written permission. COPYRIGHT © 1976  
DIGITAL EQUIPMENT CORPORATION, MAYNARD, MASS.



\* FUSIBLE  
UNLESS OTHERWISE INDICATED:  
RESISTORS = 1/4W, 5%

6. BARON 5-20-76	7. DENNORE 4-29-76	8. BARON 9-2-75	9. BARON 8-20-75	10. BARON 5-11-75	11. BARON 4-17-75	12. BARON 3-10-75	13. BARON 1-6-75	14. BARON 1-6-75	15. BARON 1-6-75	16. BARON 1-6-75	17. BARON 1-6-75	18. BARON 1-6-75	19. BARON 1-6-75	20. BARON 1-6-75	21. BARON 1-6-75	22. BARON 1-6-75	23. BARON 1-6-75	24. BARON 1-6-75	25. BARON 1-6-75	26. BARON 1-6-75	27. BARON 1-6-75	28. BARON 1-6-75	29. BARON 1-6-75	30. BARON 1-6-75	31. BARON 1-6-75	32. BARON 1-6-75	33. BARON 1-6-75	34. BARON 1-6-75	35. BARON 1-6-75	36. BARON 1-6-75	37. BARON 1-6-75	38. BARON 1-6-75	39. BARON 1-6-75	40. BARON 1-6-75	41. BARON 1-6-75	42. BARON 1-6-75	43. BARON 1-6-75	44. BARON 1-6-75	45. BARON 1-6-75	46. BARON 1-6-75	47. BARON 1-6-75	48. BARON 1-6-75	49. BARON 1-6-75	50. BARON 1-6-75	51. BARON 1-6-75	52. BARON 1-6-75	53. BARON 1-6-75	54. BARON 1-6-75	55. BARON 1-6-75	56. BARON 1-6-75	57. BARON 1-6-75	58. BARON 1-6-75	59. BARON 1-6-75	60. BARON 1-6-75	61. BARON 1-6-75	62. BARON 1-6-75	63. BARON 1-6-75	64. BARON 1-6-75	65. BARON 1-6-75	66. BARON 1-6-75	67. BARON 1-6-75	68. BARON 1-6-75	69. BARON 1-6-75	70. BARON 1-6-75	71. BARON 1-6-75	72. BARON 1-6-75	73. BARON 1-6-75	74. BARON 1-6-75	75. BARON 1-6-75	76. BARON 1-6-75	77. BARON 1-6-75	78. BARON 1-6-75	79. BARON 1-6-75	80. BARON 1-6-75	81. BARON 1-6-75	82. BARON 1-6-75	83. BARON 1-6-75	84. BARON 1-6-75	85. BARON 1-6-75	86. BARON 1-6-75	87. BARON 1-6-75	88. BARON 1-6-75	89. BARON 1-6-75	90. BARON 1-6-75	91. BARON 1-6-75	92. BARON 1-6-75	93. BARON 1-6-75	94. BARON 1-6-75	95. BARON 1-6-75	96. BARON 1-6-75	97. BARON 1-6-75	98. BARON 1-6-75	99. BARON 1-6-75	100. BARON 1-6-75
------------------	--------------------	-----------------	------------------	-------------------	-------------------	-------------------	------------------	------------------	------------------	------------------	------------------	------------------	------------------	------------------	------------------	------------------	------------------	------------------	------------------	------------------	------------------	------------------	------------------	------------------	------------------	------------------	------------------	------------------	------------------	------------------	------------------	------------------	------------------	------------------	------------------	------------------	------------------	------------------	------------------	------------------	------------------	------------------	------------------	------------------	------------------	------------------	------------------	------------------	------------------	------------------	------------------	------------------	------------------	------------------	------------------	------------------	------------------	------------------	------------------	------------------	------------------	------------------	------------------	------------------	------------------	------------------	------------------	------------------	------------------	------------------	------------------	------------------	------------------	------------------	------------------	------------------	------------------	------------------	------------------	------------------	------------------	------------------	------------------	------------------	------------------	------------------	------------------	------------------	------------------	------------------	------------------	------------------	------------------	-------------------

QTY	REF DESIGNATION	DESCRIPTION	PART NO.	ITEM NO.
PARTS LIST				
	ETCH BOARD REV	E		
	D664	IN 3606		
	NSR 8117	2N 6028		
	MCR 649P - 2			
	IN 967A	SAME		
	2N 5302			
	MPS A05			
	MPS A55			
	DEC NO.	EIA NO.	DEC NO.	EIA NO.
SEMICONDUCTOR CONVERSION CHART				
DRN	ROGER J. LAWRENCE	DATE	11-6-71	
CHK'D	NANCY MOORE	DATE	1-9-71	
ENGR		DATE	1/1/72	
PROJ		DATE	1/1/72	
APP'D		DATE	1/13/73	
NEXT HIGHER ASSY				
SCALE				
SHEET	OF	DIST.		

DIGITAL EQUIPMENT CORPORATION  
MAYNARD, MASSACHUSETTS

TITLE  
**-15V REG.**

SIZE CODE NUMBER  
DCS H745-0-1

DATE GROUP: DCS  
NUMBER: H745-0-1  
REV: V



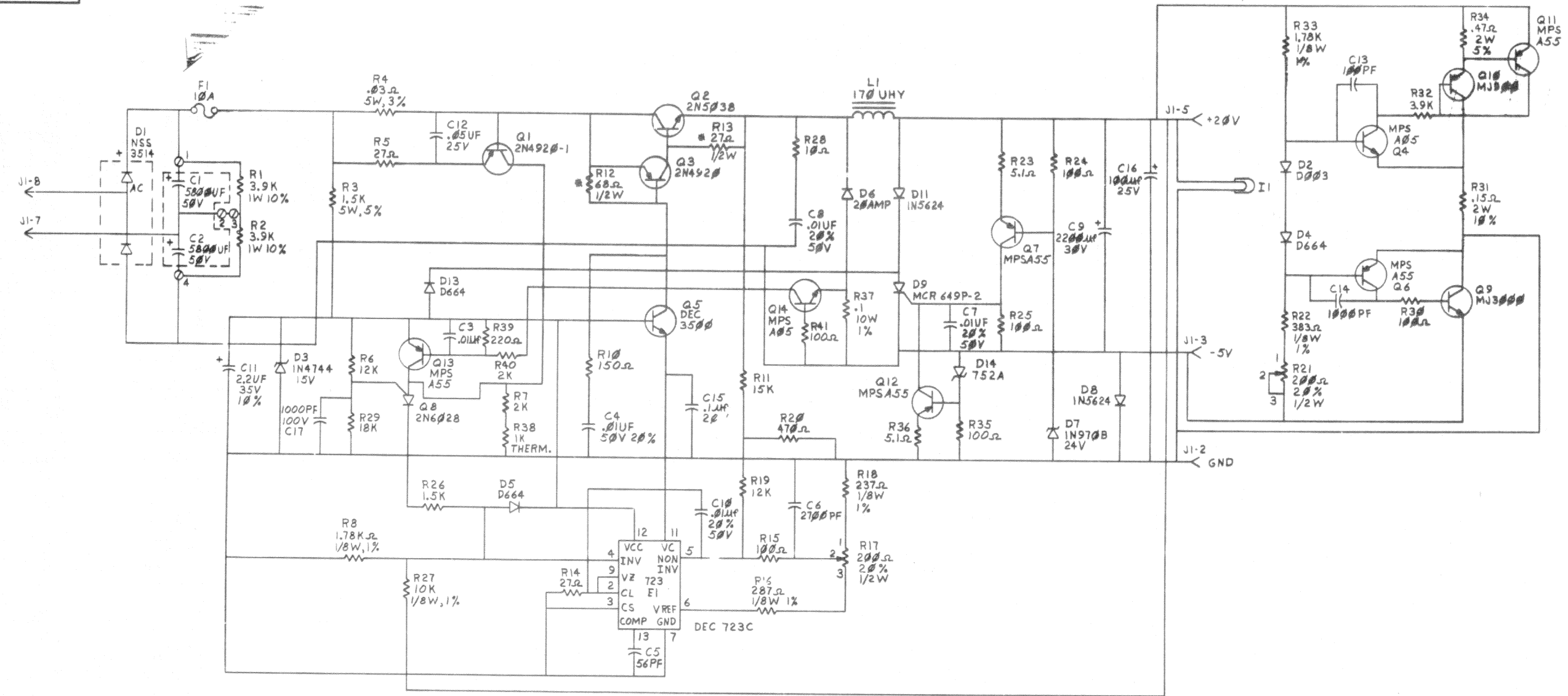






"THIS DRAWING AND SPECIFICATIONS, HEREIN, ARE THE PROPERTY OF DIGITAL EQUIPMENT CORPORATION AND SHALL NOT BE REPRODUCED OR COPIED OR USED IN WHOLE OR IN PART AS THE BASIS FOR THE MANUFACTURE OR SALE OF ITEMS WITHOUT WRITTEN PERMISSION. COPYRIGHT © 1972, DIGITAL EQUIPMENT CORPORATION"

DCS H754-0-1 2

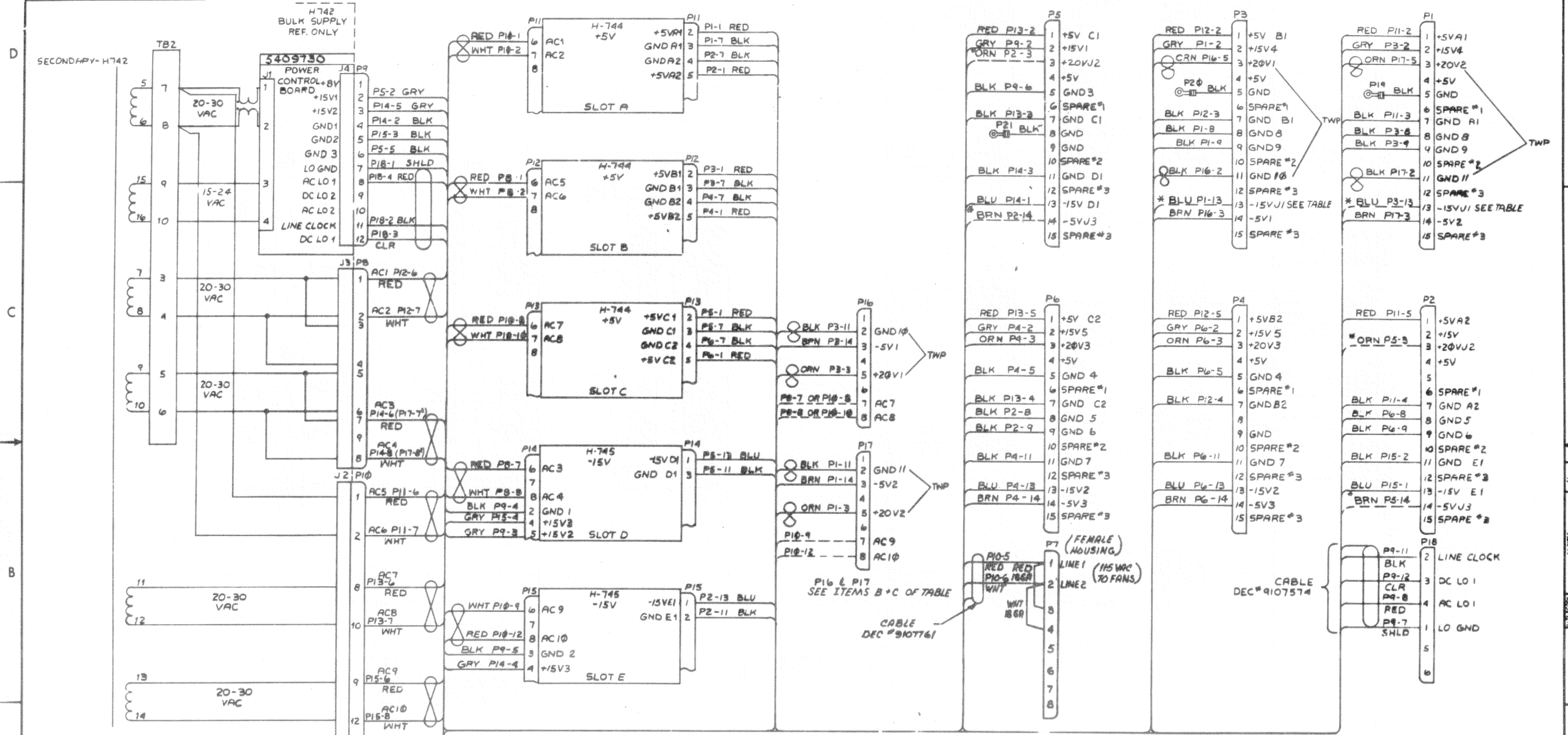


\* FUSIBLE RESISTOR

REV.	
CHK	
REVISIONS	
CHANGE NO.	

DRN. BISSONNETTE	8-29-72	FIRST USED ON	H754
CHK'D R. VOWLES	2-17-73	TITLE	+20 VOLT REGULATOR
ENG. R. BURTON	5-7-73	SIZE	D
PROJ. ENG. R. BURTON	5-7-73	CODE	CS
PROD. L. BAPTISTE	5-9-73	NUMBER	H754-0-1
NEXT HIGHER ASBY.		REV.	P
SCALE		DIST.	
SHEET 2 OF 2			

THIS DRAWING AND SPECIFICATIONS HEREIN ARE THE PROPERTY OF DIGITAL EQUIPMENT CORPORATION AND SHALL NOT BE REPRODUCED OR COPIED OR USED IN WHOLE OR IN PART AS THE BASIS FOR THE MANUFACTURE OR SALE OF ITEMS WITHOUT WRITTEN PERMISSION. COPYRIGHT © 1971 DIGITAL EQUIPMENT CORPORATION.



NOTES: 1. ALL WIRES ARE 14 AWG UNLESS OTHERWISE SPECIFIED.  
 2. TO DETERMINE POWER SUPPLY CONFIGURATION REQUIREMENTS, REFER TO TABLE BELOW.  
 WARNING: TABLE MUST BE FOLLOWED TO PREVENT REGULATOR DAMAGE.

MEMORY	REGULATORS	JUMPEARS	NUMBERS	WHEN REMOVING JUMPEARS REMOVE MALE PINS AT EACH END AND COVER WITH SHRINK TUBING. FOLD THE WIRE BACK AT LEAST AN INCH AND THEN THE WRAP IT TO THE HARNESS.
	SLOT A	SLOT E	FROM TO	
A	H745 (-15V)	H745 (-15V)	P1-13 P2-3 P2-14	OUT
B	H745 UP TO 6AK (-15V)	H754 (-5, +20)	P1-13 P2-3 P2-14	IN
C	H754 GREATER THAN 6AK (-5 +20)	H754 (-5 +20)	P1-13 P2-3 P2-14	OUT

3. CAUTION: IF 2 H754 REGULATORS ARE INSTALLED THERE IS NO -15V. AVAILABLE FOR OPTIONS THAT MAY REQUIRE IT.

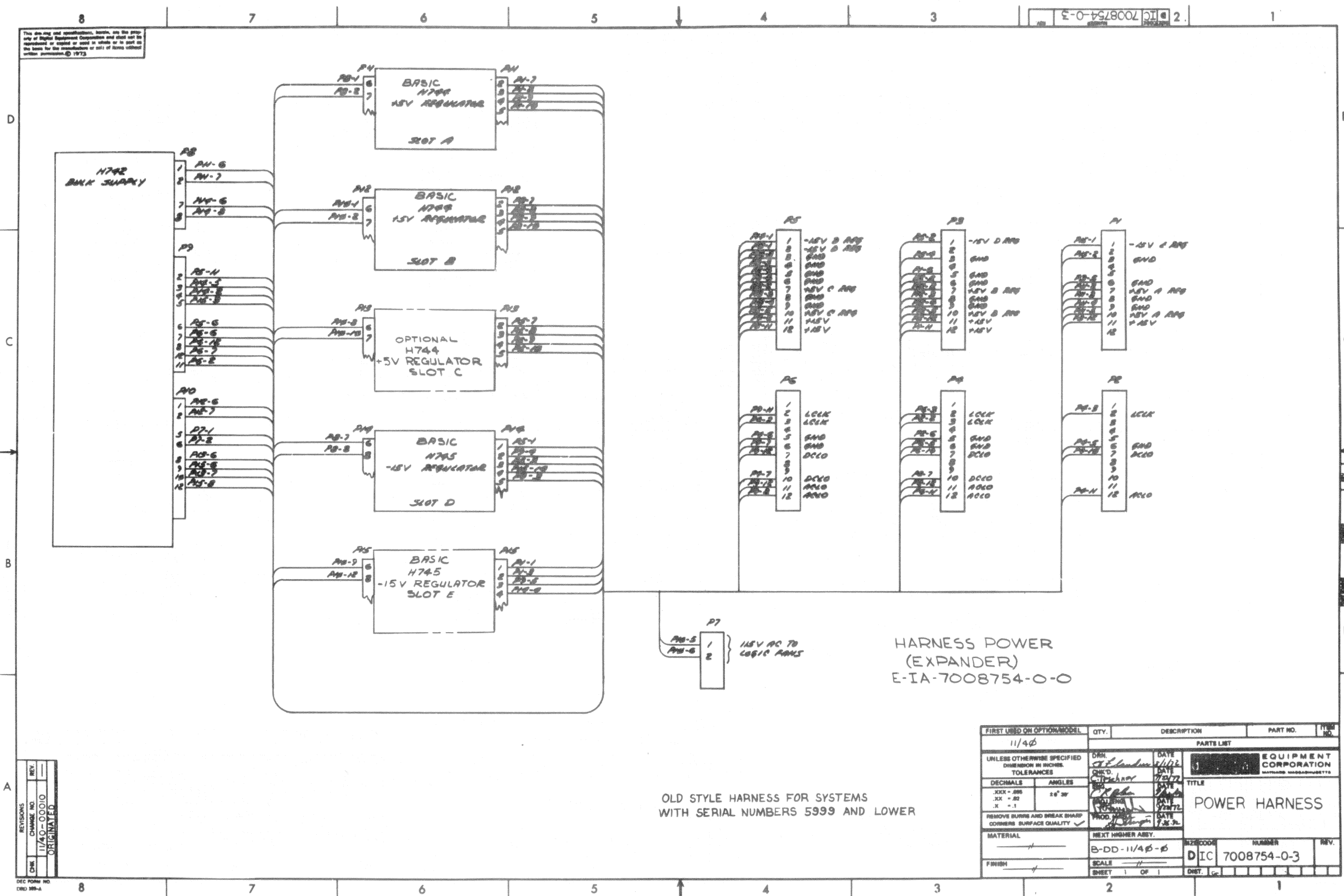
REV	CHG	NO	DATE	BY
1	✓	7009566-00001	11-15-72	J. ROGERS
2	✓	7009566-00003	11-15-72	J. ROGERS
3	✓	7009566-00004	1-2-75	J. ROGERS
4	✓	7009566-00005	4-9-75	J. ROGERS
5	✓	7009566-00005	5-14-75	J. ROGERS

FIRST USED ON OPTION/MODEL	QTY.	DESCRIPTION	PART NO.	ITEM NO.
H960-D/E				
PARTS LIST				
UNLESS OTHERWISE SPECIFIED DIMENSION IN INCHES				
TOLERANCES				
DECIMALS	ANGLES	DATE 7-19-73		
.XXX - .005	10° 30'	DATE 8-2-73		
.XX - .02		DATE 8-2-73		
.X - .1		DATE 8-2-73		
REMOVE BURRS AND BREAK SHARP CORNERS SURFACE QUALITY 1				
MATERIAL				
NEXT HIGHER AMBY.				
FINISH				
SCALE NONE				
SHEET OF 1				
TITLE 21" BOX POWER HARNESS				
SIZE CODE D I C				
NUMBER 7009566-0-1				
REV. D				

D I C 7009566-0-1

This drawing and specifications, herein, are the property of Digital Equipment Corporation and shall not be reproduced or copied or used in whole or in part as the basis for the manufacture of any of items without written permission. © 1973

IC 7008754-0-3 2



HARNESS POWER  
(EXPANDER)  
E-IA-7008754-0-0

OLD STYLE HARNESS FOR SYSTEMS  
WITH SERIAL NUMBERS 5999 AND LOWER

FIRST USED ON OPTION/MODEL	QTY.	DESCRIPTION	PART NO.	FIG. NO.
11/40		PARTS LIST		
UNLESS OTHERWISE SPECIFIED DIMENSION IN INCHES TOLERANCES		DRN DATE 8/1/72	EQUIPMENT CORPORATION MILWAUKEE, WISCONSIN 53190	
DECIMALS	ANGLES	CHKD. DATE 7/27/72	TITLE	
.XXX - .005	±0° 30'	APP. DATE 7/27/72	POWER HARNESS	
.XX - .02		WOD. DATE 7/27/72	REV.	
.X - .1			B-DD-11/40-0	
REMOVE BURRS AND BREAK SHARP CORNERS SURFACE QUALITY			D I C 7008754-0-3	
MATERIAL	NEXT HIGHER ASBY.	SCALE	SHEET 1 OF 1	
	B-DD-11/40-0		DST. Gr	
FINISH				

REVISIONS	NO.	REV.
CHK	11/40-0010	ORIGINATED

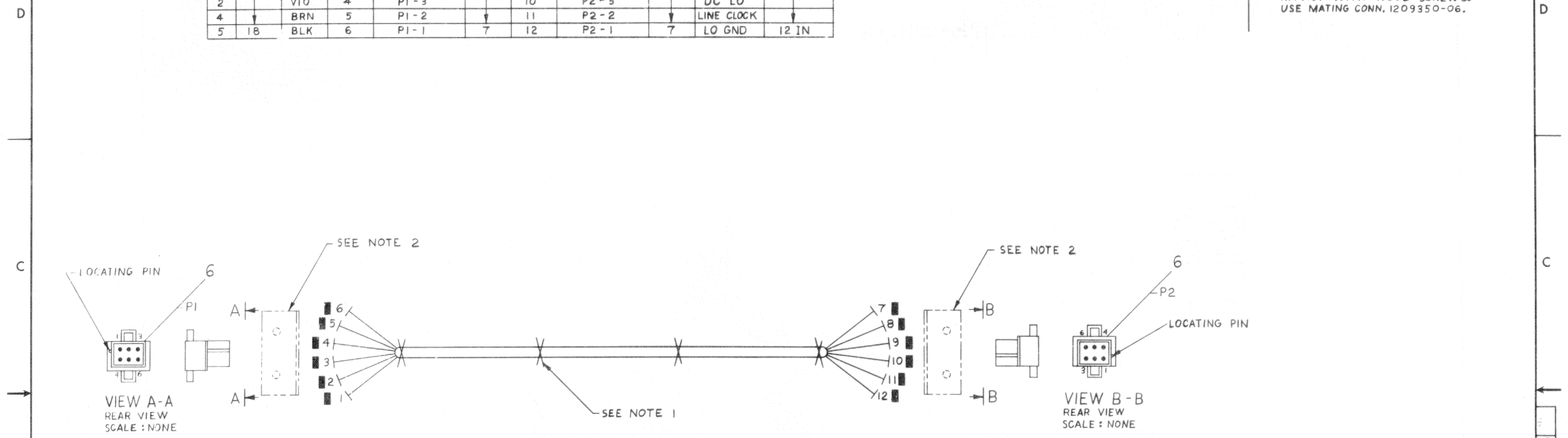
DEC FORM NO. 080 88-A

IC 7008754-0-3

"THIS DRAWING AND SPECIFICATIONS HEREIN ARE THE PROPERTY OF DIGITAL EQUIPMENT CORPORATION AND SHALL NOT BE REPRODUCED OR COPIED OR USED IN WHOLE OR IN PART AS THE BASIS FOR THE MANUFACTURE OR SALE OF ITEMS WITHOUT WRITTEN PERMISSION. COPYRIGHT © 1973, DIGITAL EQUIPMENT CORPORATION"

ITEM NO.	DESCRIPTION		FROM			TO			SIGNAL	LENGTH
	AWG	COLOR	POINT	CONNECTION	TERM	POINT	CONNECTION	TERM		
1	18	WHT	1	P1-6	7	7	P2-6	7	SPARE -2	12 IN
1	↑	WHT	2	P1-5	↑	8	P2-5	↑	SPARE -1	↑
3		YEL	3	P1-4		9	P2-4		AC LO	
2		VIO	4	P1-3		10	P2-3		DC LO	
4	↓	BRN	5	P1-2	↓	11	P2-2	↓	LINE CLOCK	↓
5	18	BLK	6	P1-1		12	P2-1		LO GND	12 IN

NOTES:  
 1. USE TIE WRAPS ITEM 8 APPROXIMATELY EVERY THREE (3) INCHES WHEN NECESSARY AND AT EVERY BREAKOUT POINT.  
 2. USE CONN. BRKT. C-MD-9305761-H6-0. MOUNT WITH WOOD SCREWS. USE MATING CONN. 1209350-06.



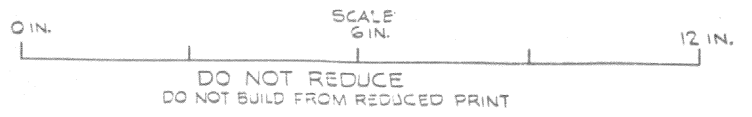
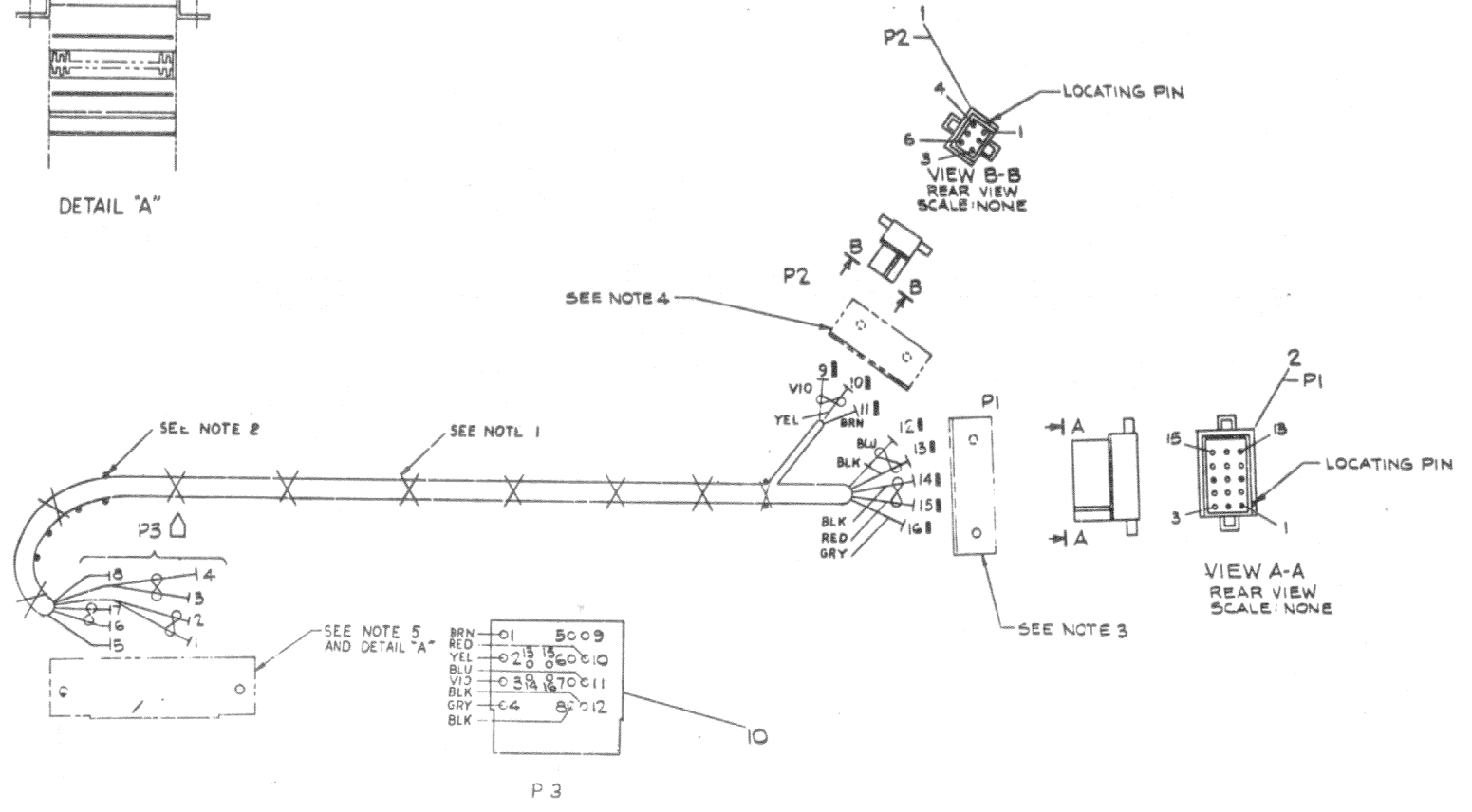
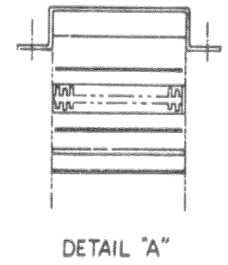
QTY.	SYM	DESCRIPTION	PART NO.	ITEM NO.
4	WRAP, TIE		9007031	8
12	PIN, MALE		1209373-00	7
2	HOUSING, CONN. 6 PIN		1209351-06	6
12 IN	WIRE #18 AWG	BLK	9107360-00	5
12 IN	WIRE #18 AWG	BRN	9107360-11	4
12 IN	WIRE #18 AWG	YEL	9107360-44	3
12 IN	WIRE #18 AWG	VIO	9107360-77	2
24 IN	WIRE #18 AWG	WHT	9107360-99	1

FIRST USED ON OPT/MOD	SYM	QTY.	DESCRIPTION	PART NO.	ITEM NO.
PARTS LIST					
UNLESS OTHERWISE SPECIFIED DIMENSION IN INCHES		DRN: <i>g. l. b. g.</i>	DATE: 10-15-73	<b>digital</b> EQUIPMENT CORPORATION MAINTENANCE DIVISION	
TOLERANCES		CHK'D: <i>[Signature]</i>	DATE: 10/18/73		
DECIMALS	ANGLES	ENG.:	DATE:	TITLE <b>6 PIN JUMPER HARNESS</b>	
.xxx = .006	∠ 30'	PROJ. ENG.:	DATE:		
.xx = .02		PROD.:	DATE:		
REMOVE BURRS AND BREAK SHARP CORNERS SURFACE QUALITY V		NEXT HIGHER ASSY.			
MATERIAL		SEE PARTS LIST		SIZE CODE	NUMBER
FINISH		SCALE: 1/1		DIA	7009573-0-0
		SHEET 1 OF 1		DIST.	

REV	CHANGE NO

ITEM NO.	DESCRIPTION	FROM				TO				SIGNAL
		AWG	CO. OR	POINT	CONNECTION	TERM	POINT	CONNECTION	TERM	
5	14	RED	3	P3-10	SOLD	15	P1-1	3	+5V	
	TWP	BLK	4	P3-8	SOLD	14	P1-7	3	GND	
9	14	GRY	5	P3-4	SOLD	16	P1-2	3	+15V	
	14	BLK	1	P3-12	SOLD	13	P1-9	3	GND	
6	TWP	BLU	2	P3-11	SOLD	12	P1-13	3	-15V	
	18	BRN	8	P3-1	SOLD	11	P2-2	3	LTG	
7	8	VIO	6	P3-3	SOLD	9	P2-3	3	DcLo	
	TWP	YEL	7	P3-2	SOLD	10	P2-4	3	AcLo	
11	22	-	-	P3-13	SOLD	-	P3-14	SOLD	DcLo	
11	22	-	-	P3-15	SOLD	-	P3-16	SOLD	AcLo	

- NOTES:**
- USE TIE WRAPS (X) ITEM #4 APPROXIMATELY EVERY THREE (3) INCHES WHEN NECESSARY AND AT EVERY BREAKOUT POINT.
  - DOT (•) INDICATES NAIL LOCATIONS FOR ASSEMBLY USE ONLY. COVER NAILS WITH SHRINK TUBING TO PREVENT CUTTING HARNESS.
  - USE CONN BRKT C-MD-980576-H150 MOUNT WITH WOOD SCREWS. USE MATING CONN 1209350-15.
  - USE CONN BRKT C-MD-980576-H60 MOUNT WITH WOOD SCREWS. USE MATING CONN 1209350-06.
  - USE CONN. HOLD DOWN B-MD-980576-00 WITH PLATE B-MD-980576-0-1, USE TAPE DEC #9008794, CONN H807 DEC #1209123 REMOVE PINS / FLANGES AS SHOWN IN DETAIL "A". MOUNT WITH WOOD SCREWS.



QTY.	DESCRIPTION	PART NO.	ITEM NO.
1	NR BUSS WIRE #22AWG	9107560-01	11
1	POWER CONN	6772	10
1	A/R WIRE #14AWG GRY	9107370-08	9
1	A/R WIRE #18AWG BRN	9107360-11	8
1	A/R WIRE #18TWP YEL/VIO	9107430-47	7
1	A/R WIRE #14TWP BLK/BLU	9107440-06	6
1	A/R WIRE #14TWP BLK/RED	9107440-02	5
X	A/R WRAP TIE	9007031	4
1	PIN, MALE	1209378-00	3
1	HOUSING CONN. 5PIN	1209351-15	2
1	HOUSING CONN. 6PIN	1209351-06	1

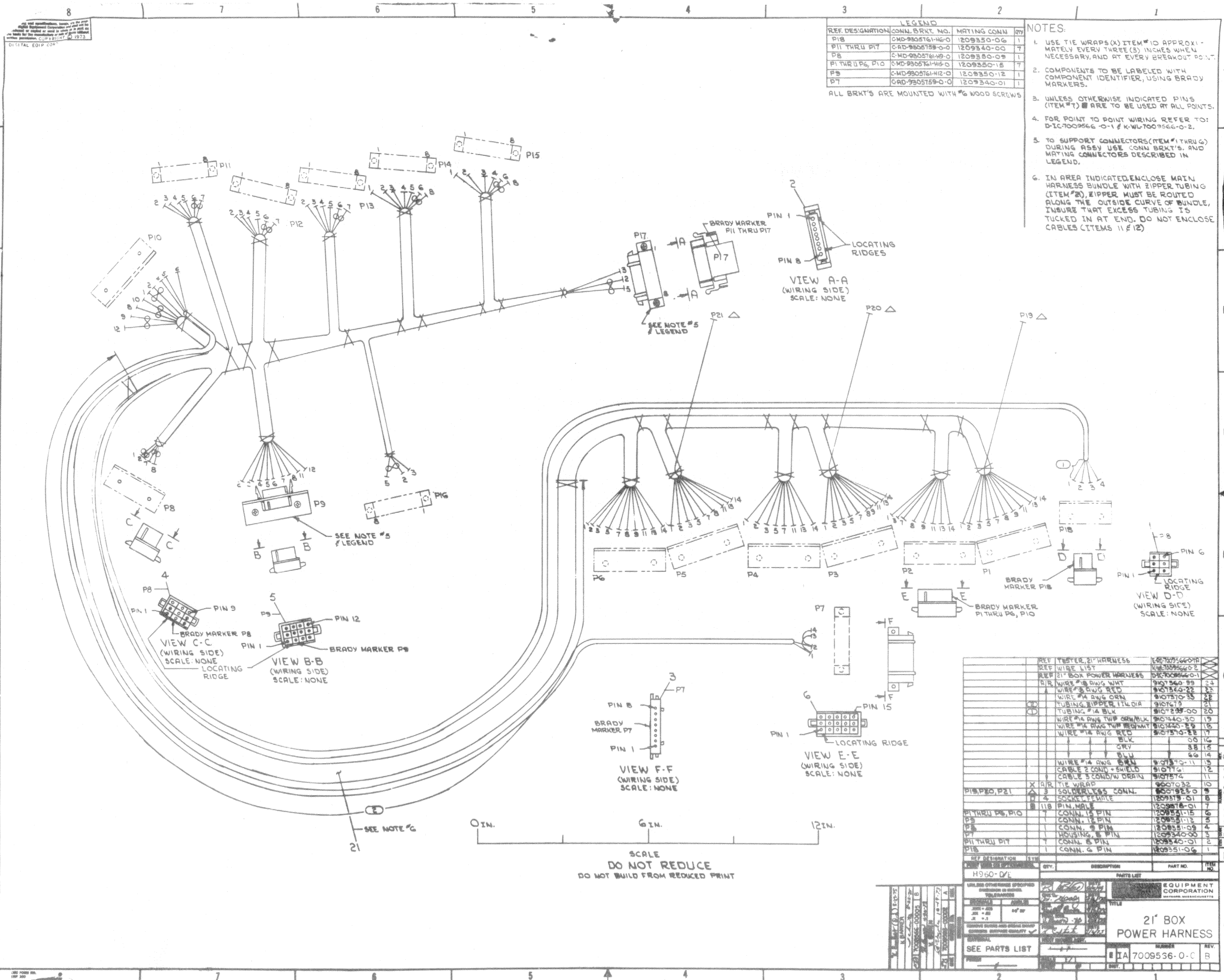
UNLESS OTHERWISE SPECIFIED DIMENSION IN INCHES TOLERANCES	DECIMALS .005 ANGLES 10° 30'	DRW. DATE	DATE
REMOVE BURRS AND BREAK SHARP CORNERS SURFACE QUALITY	MATERIAL	PROJ. ENG. DATE	DATE
SEE PARTS LIST	NEXT HIGHER ASSY.	PROG. DATE	DATE
FINISH	SCALE 1/1	SHEET 1 OF 1	DIST

**digital EQUIPMENT CORPORATION**

**772 SYSTEM UNIT HARNESS**

SIZE CODE NUMBER REV. E IA 7009562-0-0





**LEGEND**

REF. DESIGNATION	CONN. BRKT. NO.	MATING CONN.	QTY.
P18	CMD-980576-1H5-0	1209350-06	1
P11 THRU P17	CAD-9805759-0-0	1209340-00	7
P8	CMD-980576-1H5-0	1209380-09	1
P1 THRU P6, P10	CMD-980576-1H5-0	1209350-15	7
P9	CMD-980576-1H2-0	1209350-12	1
P7	CAD-9805759-0-0	1209340-01	1

ALL BRKT'S ARE MOUNTED WITH #6 WOOD SCREWS

- NOTES:**
- USE TIE WRAPS (X) ITEM #10 APPROXIMATELY EVERY THREE (3) INCHES WHEN NECESSARY, AND AT EVERY BREAKOUT POINT.
  - COMPONENTS TO BE LABELED WITH COMPONENT IDENTIFIER, USING BRADY MARKERS.
  - UNLESS OTHERWISE INDICATED PINS (ITEM #7) ARE TO BE USED AT ALL POINTS.
  - FOR POINT TO POINT WIRING REFER TO: D-IC-7009566-0-1 & K-WL-7009566-0-2.
  - TO SUPPORT CONNECTORS (ITEM #1 THRU 8) DURING ASSY USE CONN BRKT'S AND MATING CONNECTORS DESCRIBED IN LEGEND.
  - IN AREA INDICATED ENCLOSE MAIN HARNESS BUNDLE WITH ZIPPER TUBING (ITEM #2), ZIPPER MUST BE ROUTED ALONG THE OUTSIDE CURVE OF BUNDLE, INSURE THAT EXCESS TUBING IS TUCKED IN AT END, DO NOT ENCLOSE CABLES (ITEMS 11 & 12).

REF. DESIGNATION	QTY.	DESCRIPTION	PART NO.	THRU
REF WIRE LIST				
REF 21" BOX POWER HARNESS				
WIRE #18 AWG WHT	23			
WIRE #18 AWG RED	23			
WIRE #14 AWG GRN	22			
TUBING ZIPPER I/D 1/4	21			
TUBING #14 BLK	20			
WIRE #14 AWG TWP GRN/BLK	19			
WIRE #14 AWG TWP RED/WHT	18			
WIRE #14 AWG RED	17			
WIRE #14 AWG GRN	16			
WIRE #14 AWG BLK	15			
CABLE 2 COND + SHIELD	14			
CABLE 3 COND/W DRAIN	13			
TIE WRAP	10			
SOLDERLESS CONN.	9			
SOCKET FRAME	8			
PIN MALE	7			
CONN. 15 PIN	6			
CONN. 12 PIN	5			
CONN. 8 PIN	4			
HOUSING, 8 PIN	3			
CONN. 6 PIN	2			
CONN. 6 PIN	1			

REF. DESIGNATION	QTY.	DESCRIPTION	PART NO.	THRU
H950-D/E				
UNLESS OTHERWISE SPECIFIED				
DIMENSIONS IN INCHES				
TOLERANCES UNLESS OTHERWISE SPECIFIED				
MATERIALS UNLESS OTHERWISE SPECIFIED				
FINISHES UNLESS OTHERWISE SPECIFIED				
TYPICAL PARTS LIST				
EQUIPMENT CORPORATION				
21" BOX POWER HARNESS				
IA 7009536-0-C				

