

"THE MATERIAL HEREIN IS FOR INFORMATION PURPOSES ONLY AND IS SUBJECT TO CHANGE WITHOUT NOTICE. DIGITAL EQUIPMENT CORPORATION ASSUMES NO RESPONSIBILITY FOR ANY ERRORS WHICH MAY APPEAR HEREIN."

FIELD MAINTENANCE PRINT SET

"THIS DRAWING AND SPECIFICATIONS, HEREIN, ARE THE PROPERTY OF DIGITAL EQUIPMENT CORPORATION AND SHALL NOT BE REPRODUCED OR COPIED OR USED IN WHOLE OR IN PART AS THE BASIS FOR THE MANUFACTURE OR SALE OF ITEMS WITHOUT WRITTEN PERMISSION. COPYRIGHT © 1985 DIGITAL EQUIPMENT CORPORATION"

TABLE OF CONTENTS

B-TC-LK201-0-1	FIELD MAINTENANCE PRINT SET
B-DD-LK201-0	LK201-A (DRAWING DIRECTORY)
E-UA-LK201-A-0	UNIT ASSY. LK201-A KEYBOARD
K-PL-LK201-A-DBP	UNIT ASSY. LK201-A KEYBOARD (PL)
E-UA-LK201-B-0	UNIT ASSY. LK201-B KEYBOARD
K-PL-LK201-B-DBP	UNIT ASSY. LK201-B KEYBOARD (PL)
E-UA-LK201-C-0	UNIT ASSY. LK201-C KEYBOARD
K-PL-LK201-C-DBP	UNIT ASSY. LK201-C KEYBOARD (PL)
E-UA-5415148-0-0	ENCODING MODULE ASSY.
D-CS-5415148-0-1	ENCODING MODULE (SCHEMATIC)
B-DD-5415148-0	ENCODING MODULE (DRAWING DIRECTORY ONLY)
K-PL-5415148-0-DBP	ENCODING MODULE (PL)
E-IA-5415172-0-DBU	MEMBRANE ASSY, SWITCH ARRAY, LK201 KEYBOARD
K-PL-5415172-0-DBP	MEMBRANE ASSY, SWITCH ARRAY, LK201 KEYBOARD (PL)
D-CS-5415172-0-1	MEMBRANE ASSY, SWITCH ARRAY, LK201 KEYBOARD (SCHEMATIC)
B-DD-5415172-0	MEMBRANE ASSY, SWITCH ARRAY, (DRAWING DIRECTORY ONLY)
D-MD-7427314-0-DBU	TOOL, KEYCAP REMOVAL
A-PA-3700698-0-0	PKG. KEYBOARD LK201-A
E-UA-LK201-D-0	UNIT ASSY. LK201-D KEYBOARD
K-PL-LK201-D-DBP	UNIT ASSY. LK201-D KEYBOARD (PL)

UNIT VARIATIONS COVERED BY THIS PRINT SET		
LK201-A	LK201-CB	LK201-EH
LK201-AA	LK201-CC	LK201-EB
LK201-AC	LK201-CD	LK201-EU
LK201-AD	LK201-CF	LK201-EY
LK201-AE	LK201-CH	LK201-XB
LK201-AF	LK201-CI	LK201-XC
LK201-AG	LK201-CJ	LK201-EC
LK201-AH	LK201-CK	LK201-XD
LK201-AI	LK201-CL	LK201-XE
LK201-AJ	LK201-CM	LK201-AR
LK201-AK	LK201-CN	
LK201-AL	LK201-CS	
LK201-AM	LK201-CZ	
LK201-AN	LK201-AU	
LK201-AP	LK201-AY	
LK201-AS	LK201-BD	
LK201-AB	LK201-BF	
LK201-AZ	LK201-BM	
LK201-BA	LK201-BN	
LK201-CA	LK201-DA	
LK201-CE	LK201-BB	
LK201-CG	LK201-BK	
LK201-CP	LK201-BL	
LK201-BE	LK201-XA	
LK201-BZ	LK201-ER	
LK201-AT	LK201-BC	
LK201-BG	LK201-FC	
LK201-BI	LK201-FS	
LK201-BP	LK201-AV	
LK201-BS	LK201-BH	

LK201-0-1
Field Maintenance Print Set

Digital Equipment Corporation

Print Set Part Number **MP- 01395**

REVISION HISTORY													DRN.		DATE		TITLE			
DATE	ECO NUMBER	INITIAL	A	B	C	D	E	F	H	J	K	L	M	DRN.	DATE	UNIT ASSY (LK201)				
15-JUN-82														M. THOMPSON	21-MAY-82	digital				
03-NOV-82	LK201-ML002													C. LARSON	23-JUN-82					
23-MAY-83	LK201-ML006													R. LEITERMANN	23-JUN-82					
22-JUL-83	LK201-ML007													A. LEN	23-JUN-82					
27-OCT-83	LK201-ML008													FIELD SERVICE	DATE	DOCUMENT NUMBER				
01-JUN-84	LK201-ML009													E. WELCH	23-JUN-85	SIZE	CODE	NUMBER	REV	
26-MAR-85	LK201-ML012													NEXT HIGHER DOC.		B	TC	LK201-0-1	M	
21-JUN-85	LK201-ML020													K-DD-LK201-0-DBP						
20-SEP-85	LK201-ML021																			
23-DEC-85	LK201-ML022																			
21-MAY-86	LK201-MLC23																			

"THIS DOCUMENT AND SPECIFICATION HEREIN, ARE THE PROPERTY OF DIGITAL EQUIPMENT CORPORATION AND SHALL NOT BE REPRODUCED OR COPIED OR USED IN WHOLE OR IN PART AS THE BASIS FOR THE MANUFACTURE OR SALE OF ITEMS WITHOUT WRITTEN PERMISSION."
 COPYRIGHT - 1986. DIGITAL EQUIPMENT CORPORATION

DOCUMENT/PART NO.	DESCRIPTION	DOCUMENT/PART REVISIONS
E-UA-LK201-A-0	KEYBOARD	INA
K-PL-LK201-A-DBP	PARTS LIST	T
A-SP-LK201-A-2	KEYBOARD DESIGN SPECIFICATION	B
A-SP-LX200-A-0	LX200 FUNCTIONAL SPEC.	A
K-DD-7431584-0-0	PAPER, TRANSFER	A
MP-01395-00	KEYBOARD, LX201-0-1 (MP)	REF
B-TC-LX201-0-1	TABLE OF CONTENTS	INA
K-TC-LX201-0-1	TABLE OF CONTENTS	M
LK201-A	LOW PROFILE 105 KEY KEYBOARD (SUBSET OF LX200)	REF
LK201-AA	LK201-A W USA/CANADA KEYCAPS	M2
LK201-AB	BCC01, USA 120V POWER CORD LK201-A W FLEMISH KEYCAPS, BCC01, BNO3A-2E, 220V POWER CORD	L2
LK201-AC	LK201-A W CANADIAN FRENCH KEYCAPS, BCC01, USA 120V POWER CORD	M2
LK201-AD	LK201-A W DENMARK KEYCAPS, BCC01, BNO6A-2E, 220V POWER CORD	L2
LK201-AE	LK201-A W UK KEYCAPS, BCC01, BNO2A-2E, 240V POWER CORD	L2
LK201-AF	LK201-A W FINNISH KEYCAPS, BCC01, BNO3A-2E, 220V POWER CORD	L2
LK201-AG	LK201-A W GERMAN KEYCAPS, BCC01, BNO3A-2E, 220V POWER CORD	L2
LK201-AH	LK201-A W HOLLAND KEYCAPS, BCC01, BNO3A-2E, 220V POWER CORD	L2
LK201-AI	LK201-A W ITALIAN KEYCAPS, BCC01, BN17A-2E, 220V POWER CORD	L2
LK201-AJ	LK201-A W KATA KANA KEYCAPS, BCC01, USA 120V POWER CORD	M2
LK201-AK	LK201-A W SWISS-FRENCH KEYCAPS BCC01, BNO4A-2E, 220V POWER CORD	L2
LK201-AL	LK201-A W SWISS-GERMAN KEYCAPS BCC01, BNO4A-2E 220V POWER CORD	L2
LK201-AM	LK201-A W SWEDISH KEYCAPS BCC01, BNO3A-2E, 220V POWER CORD	L2

DRAWING DIRECTORY REVISION R

NOTES: B-DD-LK201-0-DBF WAS REVISED AND REDRAWN TO K-DD-LK201-0-0, B-TC-LX201-0-1 WAS REVISED AND REDRAWN TO K-TC-LX201-0-0 ON LX201-MLO24. E-UA-LK201-A-0 AND E-UA-LK201-B-0 WERE INACTIVATED ON LX201-MLO24

REVISION HISTORY

DATE	ECO NUMBER	REV	DATE	ECO NUMBER	REV	DATE	ECO NUMBER	REV	DATE	ECO NUMBER	REV
2-FEB-87	LK201-MLO24	R									

D	I	G	I	T	A	L	DRN: M. THOMPSON	DATE 21 MAY 82	TITLE: DRAWING DIRECTORY
							CHK'D: C. LARSON	DATE 21 JUN 82	LX201 UNIT ASSEMBLY
							DES. ENG: ART LEN	DATE 14 JUN 82	
							RES. ENG: ART LEN	DATE 14 JUN 82	SECTION SHEET DOCUMENT NUMBER REV
FORM NO.							MFG. ENG: L. QUARLES	DATE 14 JUN 82	A OF A 1 OF 7 K-DD-LK201-0-0 R

"THIS DOCUMENT AND SPECIFICATION HEREIN, ARE THE PROPERTY OF DIGITAL EQUIPMENT CORPORATION AND SHALL NOT BE REPRODUCED OR COPIED OR USED IN WHOLE OR IN PART AS THE BASIS FOR THE MANUFACTURE OR SALE OF ITEMS WITHOUT WRITTEN PERMISSION."
 COPYRIGHT - 1936. DIGITAL EQUIPMENT CORPORATION

DOCUMENT/PART NO.	DESCRIPTION	DOCUMENT/PART REVISIONS		
LX201-AN	LX201-A W NORWEGIAN KEYCAPS BCC01, BNO3A-2E, 220V POWER CORD	L2		
LX201-AP	LX201-A W FRENCH KEYCAPS BCC01, BNO3A-2E, 220V POWER CORD	L2		
LX201-AR	LX201-A W SPANISH KEYCAPS BCC01, USA 120V POWER CORD	A2		
LX201-AS	LX201-A W SPAIN KEYCAPS BCC01, BNO3A-2E, 220V POWER CORD	L2		
LX201-AT	LX201-A W HEBREW KEYCAPS BCC01, 17-00457 220V POWER CORD	M1		
LX201-AU	LX201-A W ICELANDIC KEYCAPS BCC01, BNO3A-2E, 240V POWER CORD	C1		
LX201-AV	LX201-A W PORTUGUESE KEYCAPS BCC01, BNO3A-2E, 240V POWER CORD	B2		
LX201-AY	LX201-A W HIRAGANA KEYCAPS BCC01, USA 120V POWER CORD	C2		
LX201-AZ	LX201-AA EXCEPT AUSTRALIAN BNO5A-2E, 250V POWER CORD	L2		
LX201-EB	LX201-A W STENOGRAPHIC KEYCAPS BCC01, USA 120V POWER CORD	B2		
LX201-EC	LX201-A W APL KEYCAPS, BCC01, USA 120V POWER CORD	B2		
LX201-ED	LX201-A W DANISH KEYCAPS VERSION 2 BCC01, BNO6A-2E 220V POWER CORD	A1		
LX201-EE	LX201-A W UK/USA KEYCAPS, BCC01 BNO2A-2E, 240V POWER CORD	A1		
LX201-EH	LX201-A W GREEK KEYCAPS BCC01, BNO3A-2E, 220V POWER CORD	B2		
LX201-EN	LX201-A W NORWEGIAN KEYCAPS VERSION 2, BCC01, BNO3A-2E, 220V POWER CRD	A1		
LX201-ER	LX201-A W ARABIC-ENGLISH KEYCAPS BCC01, BNO3A-2E, 220V POWER CORD	B2		
LX201-EU	LX201-A W TURKISH KEYCAPS, BCC01, BNO3A-2E 220V POWER CORD	B2		
LX201-EY	LX201-A W YUGOSLAVE KEYCAPS, BCC01, BNO3A-2E 220V POWER CORD	B2		
LX201-L	LX201-A W/KEYCAP VARIATIONS + NO POWER CORD	REF		
LX201-LA	LX201-A W USA/CANADA KEYCAPS BCC01, NO POWER CORD	A1		
LX201-LB	LX201-A W FLEHISH KEYCAPS, BCC01, NO POWER CORD	A1		
LX201-LC	LX201-A W CANADIAN FRENCH KEYCAPS, NO POWER CORD	A1		
LX201-LD	LX201-A W DENMARK KEYCAPS, VERSION 1 BCC01, NO POWER CORD	A1		
DRAWING DIRECTORY REVISION		R		
D I G I T A L		TITLE: DRAWING DIRECTORY LX201 UNIT ASSEMBLY		
SECTION		SHEET	DOCUMENT NUMBER	REV
A OF A		2 OF 7	K-DD-LX201-0-0	R

"THIS DOCUMENT AND SPECIFICATION HEREIN, ARE THE PROPERTY OF DIGITAL EQUIPMENT CORPORATION AND SHALL NOT BE REPRODUCED OR COPIED OR USED IN WHOLE OR IN PART AS THE BASIS FOR THE MANUFACTURE OR SALE OF ITEMS WITHOUT WRITTEN PERMISSION."
 COPYRIGHT - 1985. DIGITAL EQUIPMENT CORPORATION

DOCUMENT/PART NO.	DESCRIPTION	DOCUMENT/PART REVISIONS
LK201-LE	LK201-A W UK KEYCAPS, BCC01, NO POWER CORD	A1
LK201-LF	LK201-A W FINNISH KEYCAPS, VERSION 1 BCC01, NO POWER CORD	A1
LK201-LG	LK201-A W GERMAN KEYCAPS, BCC01, NO POWER CORD	A1
LK201-LH	LK201-A W HOLLAND KEYCAPS, VERSION 1 BCC01, NO POWER CORD	A1
LK201-LI	LK201-A W ITALIAN KEYCAPS, BCC01, NO POWER CORD	A1
LK201-LJ	LK201-A W KATA KANA KEYCAPS, BCC01, NO POWER CORD	A1
LK201-LK	LK201-A W SWISS-FRENCH KEYCAPS BCC01, NO POWER CORD	A1
LK201-LL	LK201-A W SWISS-GERMAN KEYCAPS BCC01, NO POWER CORD	A1
LK201-LM	LK201-A W SWEDISH KEYCAPS BCC01, NO POWER CORD	A1
LK201-LN	LK201-A W NORWEGIAN KEYCAPS BCC01, NO POWER CORD	A1
LK201-LP	LK201-A W FRENCH KEYCAPS BCC01, NO POWER CORD	A1
LK201-LS	LK201-A W SPAIN KEYCAPS BCC01, NO POWER CORD	A1
LK201-LT	LK201-A W HEBREW KEYCAPS BCC01, NO POWER CORD	A1
LK201-LU	LK201-A W ICELANDIC KEYCAPS BCC01, NO POWER CORD	A1
LK201-LV	LK201-A W PORTUGUESE KEYCAPS BCC01, NO POWER CORD	A1
LK201-LY	LK201-A W HIRAGANA KEYCAPS BCC01, NO POWER CORD	A1
LK201-N	LK201-A FOR VT300 SERIES KEYBOARDS NO POWER CORD	REF
LK201-NA	LK201-N W USA/UK KEYCAPS	A1
LK201-NF	LK201-N W FINLAND/FINNISH KEYCAPS	A1
LK201-NH	LK201-N W HOLLAND/DUTCH KEYCAPS	A1
LK201-R	LK201-A W KEYCAP VARIATIONS + NO POWER CORD	REF
LK201-RB	LK201-A W STEMOGRAPHIC KEYCAPS BCC01, NO POWER CORD	A1
LK201-RC	LK201-A W APL KEYCAPS, BCC01, NO POWER CORD	A1
LK201-RD	LK201-A W DANISH KEYCAPS VERSION 2 NO POWER CORD	A1
DRAWING DIRECTORY REVISION		R
D I G I T A L	TITLE: DRAWING DIRECTORY LK201 UNIT ASSEMBLY	SECTION A OF A
		SHEET 3 OF 7
		DOCUMENT NUMBER K-DD-LK201-0-0
		REV R

"THIS DOCUMENT AND SPECIFICATION HEREIN, ARE THE PROPERTY OF DIGITAL EQUIPMENT CORPORATION AND SHALL NOT BE REPRODUCED OR COPIED OR USED IN WHOLE OR IN PART AS THE BASIS FOR THE MANUFACTURE OR SALE OF ITEMS WITHOUT WRITTEN PERMISSION."
 COPYRIGHT - 1986. DIGITAL EQUIPMENT CORPORATION

DOCUMENT/PART NO.	DESCRIPTION	DOCUMENT/PART REVISIONS
LX201-RE	LX201-A W UK/USA KEYCAPS NO POWER CORD	A1
LX201-RH	LX201-A W GREEK KEYCAPS BCC01, NO POWER CORD	A1
LX201-RN	LX201-A W NORWEGIAN KEYCAPS VERSION 2, NO POWER CORD	A1
LX201-RR	LX201-A W ARABIC-ENGLISH KEYCAPS BCC01, NO POWER CORD	A1
LX201-RU	LX201-A W TURKISH KEYCAPS, BCC01, NO POWER CORD	A1
LX201-RY	LX201-A W YUGOSLAVE KEYCAPS, BCC01, NO POWER CORD	A1
LX201-XA	LX201-A W XEROX KEYCAPS BCC01, USA 120V POWER CORD	B2
LX201-XB	LX201-A W N.100 KEYCAPS, BCC01, USA 120V POWER CORD	B2
LX201-XC	LX201-A W NS200 KEYCAPS, BCC01, USA 120V POWER CORD	B2
LX201-XD	LX201-A W LRS-1/10 KEYCAPS, BCC01 USA 120V POWER CORD	A2
LX201-XE	LX201-A LRS-100 KEYCAPS, BCC01 USA 120V POWER CORD	A2
E-UA-LX201-B-0	KEYBOARD	INA
K-PL-LX201-B-D3P	KEYBOARD PARTS LIST	E
LX201-B	LOW PROFILE WORD PROCESSING KBD.	REF
LX201-BA	LX201-B W USA/CANADA KEYCAPS BCC01, USA 120V POWER CORD	M2
LX201-BB	LX201-B W WPS FLEMISH KEYCAPS BCC01, BNO3A-2E, POWER CORD	B2
LX201-BC	LX201-B W WPS CANADA-FRENCH KEYCAPS, BCC01, USA 120V POWER CORD	B2
LX201-BD	LX201-B W WPS DENMARK KEYCAPS BCC01, BNO6A-2E, 220V POWER CORD	C2
LX201-BE	LX201-BA EXCEPT UK BCC01, BNO2A-2E, 240V POWER CORD	L2
LX201-BF	LX201-B W WPS FINLAND KEYCAPS BCC01, BNO3A-2E, 220V POWER CORD	C2
LX201-BG	LX201-B W WPS GERMAN KEYCAPS BCC01, BNO3A-2E, 220V POWER CORD	L2
LX201-BH	LX201-B W WPS HOLLAND KEYCAPS BCC01, BNO3A-2E, 220V POWER CORD	B2
LX201-BI	LX201-B W WPS ITALIAN KEYCAPS BCC01, BN17A-2E, 220V POWER CORD	L2
LX201-BX	LX201-B W WPS SWISS-FRENCH KEYCAPS BCC01, BNO4A-2E, 220V POWER CORD	B2
DRAWING DIRECTORY REVISION		R
D I G I T A L		TITLE: DRAWING DIRECTORY LX201 UNIT ASSEMBLY
SECTION		SHEET
A OF A		4 OF 7
DOCUMENT NUMBER		REV
X-DD-LX201-0-0		R

"THIS DOCUMENT AND SPECIFICATION HEREIN, ARE THE PROPERTY OF DIGITAL EQUIPMENT CORPORATION AND SHALL NOT BE REPRODUCED OR COPIED OR USED IN WHOLE OR IN PART AS THE BASIS FOR THE MANUFACTURE OR SALE OF ITEMS WITHOUT WRITTEN PERMISSION."
 COPYRIGHT (C) 1986. DIGITAL EQUIPMENT CORPORATION

DOCUMENT/PART NO.	DESCRIPTION	DOCUMENT/PART REVISIONS
LK201-BL	LK201-B W WPS SWISS-GERMAN KEYCAPS BCC01, BN04A-2E, 220V POWER CORD	B2
LK201-BM	LK201-B W WPS SWEDISH KEYCAPS BCC01, BN03A-2E, 220V POWER CORD	C1
LK201-BN	LK201-B W WPS NORWEGIAN KEYCAPS BCC01, BN03A-2E, 220V POWER CORD	B2
LK201-BP	LK201-B W WPS FRENCH KEYCAPS BCC01, BN03A-2E, 220V POWER CORD	L2
LK201-BR	LK201-B W WPS SPANISH KEYCAPS BCC01, USA 120V POWER CORD	A2
LK201-BS	LK201-B WPS SPAIN KEYCAPS BCC01, BN03A-2E, POWER CORD	L2
LX201-BZ	LK201-BA EXCEPT AUSTRALIAN BCC01, BN05A-2E 250V PWR CORD	L2
LK201-F	LK201-B W KEYCAP VARIATIONS	REF
LK201-FC	LK201-B W WPS CANADA-ENGLISH KEYCAPS, BCC01, USA 120V PWR CORD	B2
LX201-FS	LK201-B W WPS SPANISH-ENGLISH KEYCAPS, BCC01, BN17A-2E 220V CORD	B2
LK201-M	LK201-B W KEYCAP VARIATIONS + NO POWER CORD	REF
LK201-MA	LK201-B W USA/CANADA KEYCAPS BCC01, NO POWER CORD	A1
LK201-MB	LK201-B W WPS FLENISH KEYCAPS BCC01, NO POWER CORD	A1
LK201-MC	LK201-B W WPS CANADA-FRENCH KEYCAPS, BCC01, NO POWER CORD	A1
LX201-MD	LK201-B W WPS DENMARK KEYCAPS BCC01, NO POWER CORD	A1
LX201-ME	LK201-BA EXCEPT UK BCC01, NO POWER CORD	A1
LK201-MF	LK201-B W WPS FINLAND KEYCAPS BCC01, NO POWER CORD	A1
LK201-MG	LK201-B W WPS GERMAN KEYCAPS BCC01, NO POWER CORD	A1
LX201-MH	LK201-B W WPS HOLLAND KEYCAPS BCC01, NO POWER CORD	A1
LK201-MI	LK201-B W WPS ITALIAN KEYCAPS BCC01, NO POWER CORD	A1
LX201-MK	LK201-B W WPS SWISS-FRENCH KEYCAPS BCC01, NO POWER CORD	A1
LK201-ML	LK201-B W WPS SWISS-GERMAN KEYCAPS BCC01, NO POWER CORD	A1
LX201-MM	LK201-B W WPS SWEDISH KEYCAPS BCC01, NO POWER CORD	A1
DRAWING DIRECTORY REVISION		R
D I G I T A L	TITLE: DRAWING DIRECTORY LX201 UNIT ASSEMBLY	SECTION A OF A
		SHEET 5 OF 7
		DOCUMENT NUMBER K-DD-LX201-0-0
		REV R

"THIS DOCUMENT AND SPECIFICATION HEREIN, ARE THE PROPERTY OF DIGITAL EQUIPMENT CORPORATION AND SHALL NOT BE REPRODUCED OR COPIED OR USED IN WHOLE OR IN PART AS THE BASIS FOR THE MANUFACTURE OR SALE OF ITEMS WITHOUT WRITTEN PERMISSION."
 COPYRIGHT - 1936. DIGITAL EQUIPMENT CORPORATION

DOCUMENT/PART NO.	DESCRIPTION	DOCUMENT/PART REVISIONS
LX201-MN	LX201-B W WPS NORWEGIAN KEYCAPS BCC01, NO POWER CORD	A1
LX201-MP	LX201-B W WPS FRENCH KEYCAPS BCC01, NO POWER CORD	A1
LX201-MS	LX201-B WPS SPAIN KEYCAPS BCC01, NO POWER CORD	A1
LX201-P	LOW PROFILE WORD PROCESSING KEYBOARD FOR V1300 SERIES	REF
LX201-PA	LX201-P W WPS USA/UK KEYCAPS	A1
LX201-S	LX201-B W KEYCAP VARIATIONS NO POWER CORD	REF
LX201-SC	LX201-B W WPS CANADA-ENGLISH KEYCAPS, NO POWER CORD	A1
LX201-SS	LX201-B W WPS SPANISH-ENGLISH KEYCAPS, BCC01, NO POWER CORD	A1
E-UA-LX201-C-0	KEYBOARD UNIT ASSEMBLY	D
K-PL-LX201-C-DBP	KEYBOARD PARTS LIST	E
LX201-C	LOW PROFILE 105 KEY VAXSTATION KEYBOARD	REF
LX201-CA	LX201-C W USA/CANADA VAXSTATION KEYCAPS, BCC01, BNO3A-2E 220V CORD	B1
LX201-CB	LX201-C W FLEMISH VAXSTATION KEYCAPS, BCC01, BNO3A-2E 220V CORD	B1
LX201-CC	LX201-C W CANADIAN-FRENCH VAXSTN. KEYCAPS, BCC01, USA 120V PWR CORD	C1
LX201-CD	LX201-C W DANISH VAXSTATION KEYCAPS BCC01, BNO6A-2E 240V POWER CORD	B1
LX201-CE	LX201-C W UK VAXSTATION KEYCAPS BCC01, BNO2A-2E POWER CORD	L1
LX201-CF	LX201-C W FINNISH VAXSTATION KEYCAPS, BCC01, BNO3A-2E POWER CORD	B1
LX201-CG	LX201-C W GERMAN VAXSTATION KEYCAPS BCC01, BNO3A-2E 220V POWER CORD	L1
LX201-CH	LX201-C W DUTCH VAXSTATION KEYCAPS BCC01, BNO3A-2E 220V POWER CORD	B1
LX201-CI	LX201-C W ITALIAN VAXSTATION KEYCAPS, BCC01, BN17A-2E 220V CORD	B1
LX201-CJ	LX201-C W KATA KANA VAXSTATION KEYCAPS, BCC01, 120V POWER CORD	B1
LX201-CK	LX201-C W SWISS-FRENCH VAXSTATION KEYCAPS, BCC01, BNO6A-2E 220V CORD	B1
LX201-CL	LX201-C W SWISS-GERMAN VAXSTATION KEYCAPS, BCC01, BNO6A-2E 220V CORD	B1
LX201-CM	LX201-C W SWEDISH VAXSTATION KEYCAPS, BCC01, BNO3A-2E POWER CORD	B1
DRAWING DIRECTORY REVISION		R
D I G I T A L TITLE: DRAWING DIRECTORY LX201 UNIT ASSEMBLY		SECTION SHEET DOCUMENT NUMBER REV A OF A 6 OF 7 K-DD-LX201-0-0 R

"THIS DOCUMENT AND SPECIFICATION HEREIN, ARE THE PROPERTY OF DIGITAL EQUIPMENT CORPORATION AND SHALL NOT BE REPRODUCED OR COPIED OR USED IN WHOLE OR IN PART AS THE BASIS FOR THE MANUFACTURE OR SALE OF ITEMS WITHOUT WRITTEN PERMISSION."
 COPYRIGHT _ 1986. DIGITAL EQUIPMENT CORPORATION

DOCUMENT/PART NO.	DESCRIPTION	DOCUMENT/PART REVISIONS
LX201-CN	LX201-C W NORWEGIAN VAXSTATION KEYCAPS, BCC01, BN03A-2E 220V CORD	B1
LX201-CP	LX201-C W FRENCH VAXSTATION KEYCAPS BCC01, BN03A-2E 220V POWER CORD	L1
LX201-CS	LX201-C W SPANISH VAXSTATION KEYCAPS, BCC01, BN03A-2E 220V CORD	B1
LX201-CZ	LX201-CA EXCEPT AUSTRALIAN BN05A-2E 250V POWER CORD	B1
E-UA-LX201-D-0	KEYBOARD UNIT ASSEMBLY	A
K-PL-LX201-D-DBP	KEYBOARD PARTS LIST	B
LX201-D	LOW PROFILE 105 KEY KEYBOARD VMS PROGRAMMERS KEYBOARD	REF
LX201-DA	LX201-D W VMS PROGRAMMERS KEYCAPS BCC01, USA 120V POWER CORD	P1
DRAWING DIRECTORY REVISION		R
D I G I T A L	TITLE: DRAWING DIRECTORY LX201 UNIT ASSEMBLY	SECTION SHEET DOCUMENT NUMBER REV A OF A 7 OF 7 X-DD-LX201-0-0 R

LINE	ITEM	TOP DOCUMENT	PART NUMBER	MIN REV	DESCRIPTION	QUANTITY PER VARIATION/REVISION									
						AA M2	AB L2	AC M2	AD L2	AE L2	AF L2	AG L2	AH L2	AI L2	AJ M2
1	1		37-00698-01		PKG KEYBOARD LK201 CUSTOMER	1	1	1	1	1	1	1	1	1	1
2	2		17-00083-09		PWR CORD,TERM 3-18 SJT 125V	1	-	1	-	-	-	-	-	-	1
3	3		17-00209-00		PWR CORD,TERM 3- .75MM 5A 250V	-	-	-	-	1	-	-	-	-	-
4	4		17-00199-00		PWR CORD,TERM 3 250V	-	1	-	-	-	1	1	1	-	-
5	5		17-00310-01		PWR CORD,TERM 3- .75MM 250V	-	-	-	1	-	-	-	-	-	-
6	6		17-00210-00		PWR CORD,TERM 3- .75MM 250V 6A	-	-	-	-	-	-	-	-	-	-
7	7		17-00364-01		PWR CORD,TERM 3- .75MM 250V 2	-	-	-	-	-	-	-	-	1	-
8	8		17-00198-00		PWR CORD,TERM 3-18 250V	-	-	-	-	-	-	-	-	-	-
9	9	K-DD-7023983-0-0	70-23983-AA		KEYBOARD,USA	1	-	-	-	-	-	-	-	-	-
10	10	K-DD-7023983-0-0	70-23983-AB		KEYBOARD,FLEMISH	-	1	-	-	-	-	-	-	-	-
11	11	K-DD-7023983-0-0	70-23983-AC		KEYBOARD,CANADIAN/FRENCH	-	-	1	-	-	-	-	-	-	-
12	12	K-DD-7023983-0-0	70-23983-AD		KEYBOARD,1ST DANISH	-	-	-	1	-	-	-	-	-	-
13	13	K-DD-7023983-0-0	70-23983-AE		KEYBOARD,UK	-	-	-	-	1	-	-	-	-	-
14	14	K-DD-7023983-0-0	70-23983-AF		KEYBOARD,1ST FINNISH	-	-	-	-	-	1	-	-	-	-
15	15	K-DD-7023983-0-0	70-23983-AG		KEYBOARD,GERMAN	-	-	-	-	-	-	1	-	-	-
16	16	K-DD-7023983-0-0	70-23983-AH		KEYBOARD,1ST HOLLAND	-	-	-	-	-	-	-	1	-	-
17	17	K-DD-7023983-0-0	70-23983-AI		KEYBOARD,ITALIAN	-	-	-	-	-	-	-	-	1	-
18	18	K-DD-7023983-0-0	70-23983-AJ		KEYBOARD,KATAKANA	-	-	-	-	-	-	-	-	-	1
19	19	K-DD-7023983-0-0	70-23983-AK		KEYBOARD,SWISS/FRENCH	-	-	-	-	-	-	-	-	-	-
20	20	K-DD-7023983-0-0	70-23983-AL		KEYBOARD,SWISS/GERMAN	-	-	-	-	-	-	-	-	-	-
21	21	K-DD-7023983-0-0	70-23983-AM		KEYBOARD,SWEDISH	-	-	-	-	-	-	-	-	-	-
22	22	K-DD-7023983-0-0	70-23983-AN		KEYBOARD,1ST NORWEGIAN	-	-	-	-	-	-	-	-	-	-
23	23	K-DD-7023983-0-0	70-23983-AP		KEYBOARD,FRENCH	-	-	-	-	-	-	-	-	-	-
24	24	K-DD-7023983-0-0	70-23983-AS		KEYBOARD,SPANISH	-	-	-	-	-	-	-	-	-	-
25	25	K-DD-7023983-0-0	70-23983-AT		KEYBOARD,HEBREW	-	-	-	-	-	-	-	-	-	-
26	26	K-DD-7023983-0-0	70-23983-AU		KEYBOARD,ICELANDIC	-	-	-	-	-	-	-	-	-	-
27	27	K-DD-7023983-0-0	70-23983-AV		KEYBOARD,PORTUGESE	-	-	-	-	-	-	-	-	-	-
28	28	K-DD-7023983-0-0	70-23983-AY		KEYBOARD,HIRAGANA	-	-	-	-	-	-	-	-	-	-
29	29	K-DD-7023983-0-0	70-23983-EB		KEYBOARD,STENOGRAPHIC	-	-	-	-	-	-	-	-	-	-
30	30	K-DD-7023983-0-0	70-23983-EC		KEYBOARD,APL	-	-	-	-	-	-	-	-	-	-
31	31	K-DD-7023983-0-0	70-23983-ED		KEYBOARD,2ND DANISH	-	-	-	-	-	-	-	-	-	-
32	32	K-DD-7023983-0-0	70-23983-EE		KEYBOARD,UK/USA	-	-	-	-	-	-	-	-	-	-

REVISION HISTORY			KPL MATRIX FORMAT SECTION A OF HORN: D. HEALY			DIGITAL			
ENG	ECO NUMBER	REV	SECTION/VARIATION INDEX			DATE: 18-MAR-82			
AL	LK201-ML003	D	[A]	AA,AB,AC,AD,AE,AF,AG,AH,AI,AJ	CHK'D: C. LARSON	TITLE PARTS LIST			
AL	LK201-A-ML004	E	[B]	AK,AL,AM,AN,AP,AR,AS,AT,AU,AV	DATE: 19-MAY-82	LK201 KEYBOARD			
AL	LK201-ML006	F	[C]	AY,AZ,EB,EC,ED,EE,EH,EN,ER,EU	DES.ENG: R. LIETERMANN				
AL	LK201-A-ML007	H	[D]	EY,LA,LB,LC,LD,LE,LF,LG,LH,LI	DATE: 19-MAY-82	DOCUMENT NUMBER			
AL	LK201-ML008	J	[E]	LJ,LK,LL,LM,LN,LP,LS,LT,LU,LV		SIZE	CODE	NUMBER	REV
DW	LK201-ML009	K	[F]	LY,NA,NF,NH,RB,RC,RD,RE,RH,RN	RESP.ENG.: A. LEN	K	PL	LK201-A-DBP	T
AJ	LK201-A-ML012	L	[H]	RR,RU,RY,XA,XB,XC,XD,XE	DATE: 19-MAY-82				
AJ	LK201-A-ML013	M	[J]						
DW	LK201-A-ML020	N			MPG.ENG: L. QUARLES	RELEASE DATE:			
DW	LK201-ML021	P			DATE: 19-MAY-82	RELEASE STATUS: VALID PARTS			
DW	LK201-ML022	R							
AJ	LK201-ML023	S							
DW	LK201-ML024	T							
			BASIC PART NUMBER:	ASSEMBLY NUMBER:	TOP DOCUMENT NUMBER:	FILE NAME:	EDIT #		
			LK201	E-UA-LK201-A-0	K-DD-LK201-0-DBP	Z4412T.PLS	9		

"THIS DRAWING AND THE SPECIFICATIONS CONTAINED HEREIN ARE CONFIDENTIAL AND PROPRIETARY. THEY ARE THE PROPERTY OF DIGITAL EQUIPMENT CORPORATION AND SHALL NOT BE REPRODUCED OR COPIED OR USED IN WHOLE OR IN PART AS THE BASIS FOR THE MANUFACTURE OR SALE OF ITEMS WITHOUT WRITTEN PERMISSION. THIS IS AN UNPUBLISHED WORK PROTECTED UNDER THE FEDERAL COPYRIGHT LAWS."

AUTOMATED BY VAXKPL (V1.3)

PARTS LIST

SHEET A2 OF A2

LINE	ITEM	TOP DOCUMENT	PART NUMBER	MIN REV	DESCRIPTION	QUANTITY PER VARIATION/REVISION									
						AA M2	AB L2	AC M2	AD L2	AE L2	AF L2	AG L2	AH L2	AI L2	AJ M2
33	33	K-DD-7023983-0-0	70-23983-EH		KEYBOARD,GREEK	-	-	-	-	-	-	-	-	-	-
34	34	K-DD-7023983-0-0	70-23983-EN		KEYBOARD,2ND NORWEGIAN	-	-	-	-	-	-	-	-	-	-
35	35	K-DD-7023983-0-0	70-23983-ER		KEYBOARD,ARABIC-ENGLISH	-	-	-	-	-	-	-	-	-	-
36	36	K-DD-7023983-0-0	70-23983-EU		KEYBOARD,TURKISH	-	-	-	-	-	-	-	-	-	-
37	37	K-DD-7023983-0-0	70-23983-EY		KEYBOARD,YUGOSLAVIAN	-	-	-	-	-	-	-	-	-	-
38	38	K-DD-7023983-0-0	70-23983-NA		KEYBOARD,USA/UK,W/LOCAL EDITING	-	-	-	-	-	-	-	-	-	-
39	39	K-DD-7023983-0-0	70-23983-NF		KEYBOARD,2ND FINNISH	-	-	-	-	-	-	-	-	-	-
40	40	K-DD-7023983-0-0	70-23983-NH		KEYBOARD,2ND HOLLAND	-	-	-	-	-	-	-	-	-	-
41	41	K-DD-7023983-0-0	70-23983-XA		KEYBOARD,XEROX	-	-	-	-	-	-	-	-	-	-
42	42	K-DD-7023983-0-0	70-23983-XB		KEYBOARD,NS100	-	-	-	-	-	-	-	-	-	-
43	43	K-DD-7023983-0-0	70-23983-XC		KEYBOARD,NS200	-	-	-	-	-	-	-	-	-	-
44	44	K-DD-7023983-0-0	70-23983-XD		KEYBOARD,LRS1/10	-	-	-	-	-	-	-	-	-	-
45	45	K-DD-7023983-0-0	70-23983-XE		KEYBOARD,LRS100	-	-	-	-	-	-	-	-	-	-
46	83	K-DD-7023983-0-0	17-00457-08		PWR CORD,TERM 3- .75MM 250V	-	-	-	-	-	-	-	-	-	-

1 GEN: VARIATION A IS FOR DOCUMENTATION REFERENCE ONLY.

2 GEN: QUANTITY OF ITEM #3 IS .0002 GALS.

3 GEN: KEYBOARDS BUILT IN EUROPE WILL USE KEYCAP SET PART NUMBER 7019005 IN PLACE OF 7021081.

D	I	G	I	T	A	L	TITLE	SECTION A	OF H	SIZE	CODE	DOCUMENT NUMBER	REV
							LK201 KEYBOARD			K	PL	LK201-A-DBP	T

LINE	ITEM	TOP DOCUMENT	PART NUMBER	MIN REV	DESCRIPTION	QUANTITY PER VARIATION/REVISION									
						AK L2	AL L2	AM L2	AN L2	AP L2	AR A2	AS L2	AT M1	AU C1	AV B2
1	1		37-00698-01		PKG KEYBOARD LK201 CUSTOMER	1	1	1	1	1	1	1	1	1	1
2	2		17-00083-09		PWR CORD,TERM 3-18 SJT 125V	-	-	-	-	-	1	-	-	-	-
3	3		17-00209-00		PWR CORD,TERM 3- .75MM 5A 250V	-	-	-	-	-	-	-	-	-	-
4	4		17-00199-00		PWR CORD,TERM 3 250V	-	-	1	1	1	-	1	-	1	1
5	5		17-00310-01		PWR CORD,TERM 3- .75MM 250V	-	-	-	-	-	-	-	-	-	-
6	6		17-00210-00		PWR CORD,TERM 3- .75MM 250V 6A	1	1	-	-	-	-	-	-	-	-
7	7		17-00364-01		PWR CORD,TERM 3- .75MM 250V 2	-	-	-	-	-	-	-	-	-	-
8	8		17-00198-00		PWR CORD,TERM 3-18 250V	-	-	-	-	-	-	-	-	-	-
9	9	K-DD-7023983-0-0	70-23983-AA		KEYBOARD,USA	-	-	-	-	-	-	-	-	-	-
10	10	K-DD-7023983-0-0	70-23983-AB		KEYBOARD,FLEMISH	-	-	-	-	-	-	-	-	-	-
11	11	K-DD-7023983-0-0	70-23983-AC		KEYBOARD,CANADIAN/FRENCH	-	-	-	-	-	-	-	-	-	-
12	12	K-DD-7023983-0-0	70-23983-AD		KEYBOARD,1ST DANISH	-	-	-	-	-	-	-	-	-	-
13	13	K-DD-7023983-0-0	70-23983-AE		KEYBOARD,UK	-	-	-	-	-	-	-	-	-	-
14	14	K-DD-7023983-0-0	70-23983-AF		KEYBOARD,1ST FINNISH	-	-	-	-	-	-	-	-	-	-
15	15	K-DD-7023983-0-0	70-23983-AG		KEYBOARD,GERMAN	-	-	-	-	-	-	-	-	-	-
16	16	K-DD-7023983-0-0	70-23983-AH		KEYBOARD,1ST HOLLAND	-	-	-	-	-	-	-	-	-	-
17	17	K-DD-7023983-0-0	70-23983-AI		KEYBOARD,ITALIAN	-	-	-	-	-	-	-	-	-	-
18	18	K-DD-7023983-0-0	70-23983-AJ		KEYBOARD,KATAKANA	-	-	-	-	-	-	-	-	-	-
19	19	K-DD-7023983-0-0	70-23983-AK		KEYBOARD,SWISS/FRENCH	1	-	-	-	-	-	-	-	-	-
20	20	K-DD-7023983-0-0	70-23983-AL		KEYBOARD,SWISS/GERMAN	-	1	-	-	-	-	-	-	-	-
21	21	K-DD-7023983-0-0	70-23983-AM		KEYBOARD,SWEDISH	-	-	1	-	-	-	-	-	-	-
22	22	K-DD-7023983-0-0	70-23983-AN		KEYBOARD,1ST NORWEGIAN	-	-	-	1	-	-	-	-	-	-
23	23	K-DD-7023983-0-0	70-23983-AP		KEYBOARD,FRENCH	-	-	-	-	1	-	-	-	-	-
24	24	K-DD-7023983-0-0	70-23983-AS		KEYBOARD,SPANISH	-	-	-	-	-	1	1	-	-	-
25	25	K-DD-7023983-0-0	70-23983-AT		KEYBOARD,HEBREW	-	-	-	-	-	-	-	1	-	-
26	26	K-DD-7023983-0-0	70-23983-AU		KEYBOARD,ICELANDIC	-	-	-	-	-	-	-	-	1	-
27	27	K-DD-7023983-0-0	70-23983-AV		KEYBOARD,PORTUGESE	-	-	-	-	-	-	-	-	-	1
28	28	K-DD-7023983-0-0	70-23983-AY		KEYBOARD,HIRAGANA	-	-	-	-	-	-	-	-	-	-
29	29	K-DD-7023983-0-0	70-23983-EB		KEYBOARD,STENOGRAPHIC	-	-	-	-	-	-	-	-	-	-
30	30	K-DD-7023983-0-0	70-23983-EC		KEYBOARD,APL	-	-	-	-	-	-	-	-	-	-
31	31	K-DD-7023983-0-0	70-23983-ED		KEYBOARD,2ND DANISH	-	-	-	-	-	-	-	-	-	-
32	32	K-DD-7023983-0-0	70-23983-EE		KEYBOARD,UK/USA	-	-	-	-	-	-	-	-	-	-

REVISION HISTORY			KPL MATRIX FORMAT SECTION B OF HORN: D. HEALY			DATE: 18-MAR-82			D I G I T A L			
ENG	ECO NUMBER	REV	SECTION/VARIATION INDEX			CHK'D:	C. LARSON			TITLE PARTS LIST		
AL	LK201-ML003	D	[A]	AA,AB,AC,AD,AE,AF,AG,AH,AI,AJ	DATE:	19-MAY-82			LK201 KEYBOARD			
AL	LK201-A-ML004	E	[B]	AK,AL,AM,AN,AP,AR,AS,AT,AU,AV	DES.ENG:	R. LIETERMANN			DOCUMENT NUMBER			
AL	LK201-ML006	F	[C]	AY,AZ,EB,EC,ED,EE,EH,EN,ER,EU	DATE:	19-MAY-82			SIZE	CODE	NUMBER	REV
AL	LK201-A-ML007	H	[D]	EY,LA,LB,LC,LD,LE,LF,LG,LH,LI	RESP.ENG.:	A. LEN			K	PL	LK201-A-DBP	T
AL	LK201-ML008	J	[E]	LJ,LK,LL,LM,LN,LP,LS,LT,LU,LV	DATE:	19-MAY-82			RELEASE DATE:			
DW	LK201-ML009	K	[F]	LY,NA,NF,NH,OB,OC,OD,OE,OH,ON	DATE:	19-MAY-82			RELEASE STATUS: VALID PARTS			
AJ	LK201-A-ML012	L	[H]	RR,RU,RY,XA,XB,XC,XD,XE								
AJ	LK201-A-ML013	M	[J]									
DW	LK201-A-ML020	N										
DW	LK201-ML021	P										
DW	LK201-ML022	R										
AJ	LK201-ML023	S										
DW	LK201-ML024	T										
			BASIC PART NUMBER:	ASSEMBLY NUMBER:	TOP DOCUMENT NUMBER:	FILE NAME:			EDIT #			
			LK201	E-UA-LK201-A-0	K-DD-LK201-0-DBF	Z4412T.PLS			9			

"THIS DRAWING AND THE SPECIFICATIONS CONTAINED HEREIN ARE CONFIDENTIAL AND PROPRIETARY. THEY ARE THE PROPERTY OF DIGITAL EQUIPMENT CORPORATION AND SHALL NOT BE REPRODUCED OR COPIED OR USED IN WHOLE OR IN PART AS THE BASIS FOR THE MANUFACTURE OR SALE OF ITEMS WITHOUT WRITTEN PERMISSION. THIS IS AN UNPUBLISHED WORK PROTECTED UNDER THE FEDERAL COPYRIGHT LAWS."

AUTOMATED BY VAXKPL (V1.3)

P A R T S L I S T

SHEET B2 OF B2

LINE	ITEM	TOP DOCUMENT	PART NUMBER	MIN REV	DESCRIPTION	QUANTITY PER VARIATION/REVISION										
						AK L2	AL L2	AM L2	AN L2	AP L2	AR A2	AS L2	AT M1	AU C1	AV B2	
33	33	K-DD-7023983-0-0	70-23983-EH		KEYBOARD,GREEK	-	-	-	-	-	-	-	-	-	-	-
34	34	K-DD-7023983-0-0	70-23983-EN		KEYBOARD,2ND NORWEGIAN	-	-	-	-	-	-	-	-	-	-	-
35	35	K-DD-7023983-0-0	70-23983-ER		KEYBOARD,ARABIC-ENGLISH	-	-	-	-	-	-	-	-	-	-	-
36	36	K-DD-7023983-0-0	70-23983-EU		KEYBOARD,TURKISH	-	-	-	-	-	-	-	-	-	-	-
37	37	K-DD-7023983-0-0	70-23983-EY		KEYBOARD,YUGOSLAVIAN	-	-	-	-	-	-	-	-	-	-	-
38	38	K-DD-7023983-0-0	70-23983-NA		KEYBOARD,USA/UK,W/LOCAL EDITING	-	-	-	-	-	-	-	-	-	-	-
39	39	K-DD-7023983-0-0	70-23983-NF		KEYBOARD,2ND FINNISH	-	-	-	-	-	-	-	-	-	-	-
40	40	K-DD-7023983-0-0	70-23983-NH		KEYBOARD,2ND HOLLAND	-	-	-	-	-	-	-	-	-	-	-
41	41	K-DD-7023983-0-0	70-23983-XA		KEYBOARD,XEROX	-	-	-	-	-	-	-	-	-	-	-
42	42	K-DD-7023983-0-0	70-23983-XB		KEYBOARD,NS100	-	-	-	-	-	-	-	-	-	-	-
43	43	K-DD-7023983-0-0	70-23983-XC		KEYBOARD,NS200	-	-	-	-	-	-	-	-	-	-	-
44	44	K-DD-7023983-0-0	70-23983-XD		KEYBOARD,LRS1710	-	-	-	-	-	-	-	-	-	-	-
45	45	K-DD-7023983-0-0	70-23983-XE		KEYBOARD,LRS100	-	-	-	-	-	-	-	-	-	-	-
46	83	K-DD-7023983-0-0	17-00457-08		PWR CORD,TERM 3- .75MM 250V	-	-	-	-	-	-	-	1	-	-	-

1 GEN: VARIATION A IS FOR DOCUMENTATION REFERENCE ONLY.

2 GEN: QUANTITY OF ITEM #3 IS .0002 GALS.

3 GEN: KEYBOARDS BUILT IN EUROPE WILL USE KEYCAP SET PART NUMBER 7019005 IN PLACE OF 7021081.

D	I	G	I	T	A	L	TITLE	SECTION B OF H	SIZE	CODE	DOCUMENT NUMBER	REV
							LK201 KEYBOARD		K	PL	LK201-A-DBP	T

AUTOMATED BY VAXKPL (V1.3)

PARTS LIST

SHEET 01 OF 02

LINE	ITEM	TOP DOCUMENT	PART NUMBER	MIN REV	DESCRIPTION	QUANTITY PER VARIATION/REVISION									
						AY C2	AZ L2	EB B2	EC B2	ED A1	EE A1	EH B2	EN A1	ER B2	EU B2
1	1		37-00698-01		PKG KEYBOARD LK201 CUSTOMER	1	1	1	1	1	1	1	1	1	1
2	2		17-00083-09		PWR CORD,TERM 3-18 S.IT 125V	1	-	1	1	-	-	-	-	-	-
3	3		17-00209-00		PWR CORD,TERM 3- .75MM 5A 250V	-	-	-	-	-	1	-	-	1	-
4	4		17-00199-00		PWR CORD,TERM 3 250V	-	-	-	-	-	1	1	-	-	1
5	5		17-00310-01		PWR CORD,TERM 3- .75MM 250V	-	-	-	-	1	-	-	-	-	-
6	6		17-00210-00		PWR CORD,TERM 3- .75MM 250V 6A	-	-	-	-	-	-	-	-	-	-
7	7		17-00364-01		PWR CORD,TERM 3- .75MM 250V 2	-	-	-	-	-	-	-	-	-	-
8	8		17-00198-00		PWR CORD,TERM 3-18 250V	-	1	-	-	-	-	-	-	-	-
9	9	K-DD-7023983-0-0	70-23983-AA		KEYBOARD,USA	-	1	-	-	-	-	-	-	-	-
10	10	K-DD-7023983-0-0	70-23983-AB		KEYBOARD,FLEMISH	-	-	-	-	-	-	-	-	-	-
11	11	K-DD-7023983-0-0	70-23983-AC		KEYBOARD,CANADIAN/FRENCH	-	-	-	-	-	-	-	-	-	-
12	12	K-DD-7023983-0-0	70-23983-AD		KEYBOARD,1ST DANISH	-	-	-	-	-	-	-	-	-	-
13	13	K-DD-7023983-0-0	70-23983-AE		KEYBOARD,UK	-	-	-	-	-	-	-	-	-	-
14	14	K-DD-7023983-0-0	70-23983-AF		KEYBOARD,1ST FINNISH	-	-	-	-	-	-	-	-	-	-
15	15	K-DD-7023983-0-0	70-23983-AG		KEYBOARD,GERMAN	-	-	-	-	-	-	-	-	-	-
16	16	K-DD-7023983-0-0	70-23983-AH		KEYBOARD,1ST HOLLAND	-	-	-	-	-	-	-	-	-	-
17	17	K-DD-7023983-0-0	70-23983-AI		KEYBOARD,ITALIAN	-	-	-	-	-	-	-	-	-	-
18	18	K-DD-7023983-0-0	70-23983-AJ		KEYBOARD,KATAKANA	-	-	-	-	-	-	-	-	-	-
19	19	K-DD-7023983-0-0	70-23983-AK		KEYBOARD,SWISS/FRENCH	-	-	-	-	-	-	-	-	-	-
20	20	K-DD-7023983-0-0	70-23983-AL		KEYBOARD,SWISS/GERMAN	-	-	-	-	-	-	-	-	-	-
21	21	K-DD-7023983-0-0	70-23983-AM		KEYBOARD,SWEDISH	-	-	-	-	-	-	-	-	-	-
22	22	K-DD-7023983-0-0	70-23983-AN		KEYBOARD,1ST NORWEGIAN	-	-	-	-	-	-	-	-	-	-
23	23	K-DD-7023983-0-0	70-23983-AP		KEYBOARD,FRENCH	-	-	-	-	-	-	-	-	-	-
24	24	K-DD-7023983-0-0	70-23983-AS		KEYBOARD,SPANISH	-	-	-	-	-	-	-	-	-	-
25	25	K-DD-7023983-0-0	70-23983-AT		KEYBOARD,HEBREW	-	-	-	-	-	-	-	-	-	-
26	26	K-DD-7023983-0-0	70-23983-AU		KEYBOARD,ICELANDIC	-	-	-	-	-	-	-	-	-	-
27	27	K-DD-7023983-0-0	70-23983-AV		KEYBOARD,PORTUGESE	-	-	-	-	-	-	-	-	-	-
28	28	K-DD-7023983-0-0	70-23983-AY		KEYBOARD,HIRAGANA	1	-	-	-	-	-	-	-	-	-
29	29	K-DD-7023983-0-0	70-23983-EB		KEYBOARD,STENOGRAPHIC	-	-	1	-	-	-	-	-	-	-
30	30	K-DD-7023983-0-0	70-23983-EC		KEYBOARD,APL	-	-	-	1	-	-	-	-	-	-
31	31	K-DD-7023983-0-0	70-23983-ED		KEYBOARD,2ND DANISH	-	-	-	-	1	-	-	-	-	-
32	32	K-DD-7023983-0-0	70-23983-EE		KEYBOARD,UK/USA	-	-	-	-	-	1	-	-	-	-

REVISION HISTORY			KPL MATRIX FORMAT SECTION C OF H:DRN: D. HEALY			DIGITAL				
ENG	ECO NUMBER	REV	SECTION/VARIATION INDEX			DATE: 18-MAR-82	TITLE PARTS LIST			
AL	LK201-ML003	D	[A] AA,AB,AC,AD,AE,AF,AG,AH,AI,AJ			CHK'D: C. LARSON	LK201 KEYBOARD			
AL	LK201-A-ML004	E	[B] AK,AL,AM,AN,AP,AR,AS,AT,AU,AV			DATE: 19-MAY-82				
AL	LK201-ML006	F	[C] AY,AZ,EB,EC,ED,EE,EH,EN,ER,EU			DES.ENG: R. LIETERMANN				
AL	LK201-A-ML007	H	[D] EY,LA,LB,LC,LD,LE,LF,LG,LH,LI			DATE: 19-MAY-82	DOCUMENT NUMBER			
AL	LK201-ML008	J	[E] LJ,LK,LL,LM,LN,LP,LS,LT,LU,LV				SIZE	CODE	NUMBER	REV
DW	LK201-ML009	K	[F] LY,NA,NF,NH,PB,RC,RD,RE,RH,RN			RESP.ENG.: A. LEN	K	PL	LK201-A-DBP	T
AJ	LK201-A-ML012	L	[H] RR,RU,RY,XA,XB,XC,XD,XE			DATE: 19-MAY-82				
AJ	LK201-A-ML013	M	[J]							
DW	LK201-A-ML020	N				MFG.ENG: L. QUARLES	RELEASE DATE:			
DW	LK201-ML021	P				DATE: 19-MAY-82	RELEASE STATUS: VALID PARTS			
DW	LK201-ML022	R								
AJ	LK201-ML023	S	BASIC PART NUMBER:		ASSEMBLY NUMBER:	TOP DOCUMENT NUMBER:		FILE NAME:	EDIT #	
DW	LK201-ML024	T	LK201		E-UA-LK201-A-0	K-DD-LK201-0-DBF		Z4412T.PLS	9	

"THIS DRAWING AND THE SPECIFICATIONS CONTAINED HEREIN ARE CONFIDENTIAL AND PROPRIETARY. THEY ARE THE PROPERTY OF DIGITAL EQUIPMENT CORPORATION AND SHALL NOT BE REPRODUCED OR COPIED OR USED IN WHOLE OR IN PART AS THE BASIS FOR THE MANUFACTURE OR SALE OF ITEMS WITHOUT WRITTEN PERMISSION. THIS IS AN UNPUBLISHED WORK PROTECTED UNDER THE FEDERAL COPYRIGHT LAWS."

AUTOMATED BY VAXKPL (V1.3)

PARTS LIST

SHEET C2 OF C2

LINE	ITEM	TOP DOCUMENT	PART NUMBER	MIN REV	DESCRIPTION	QUANTITY PER VARIATION/REVISION									
						AY C2	AZ L2	EB B2	EC B2	ED A1	EE A1	EH B2	EN A1	ER B2	EU B2
33	33	K-DD-7023983-0-0	70-23983-EH		KEYBOARD, GREEK	-	-	-	-	-	-	1	-	-	-
34	34	K-DD-7023983-0-0	70-23983-EN		KEYBOARD, 2ND NORWEGIAN	-	-	-	-	-	-	-	1	-	-
35	35	K-DD-7023983-0-0	70-23983-ER		KEYBOARD, ARABIC-ENGLISH	-	-	-	-	-	-	-	-	1	-
36	36	K-DD-7023983-0-0	70-23983-EU		KEYBOARD, TURKISH	-	-	-	-	-	-	-	-	-	1
37	37	K-DD-7023983-0-0	70-23983-EY		KEYBOARD, YUGOSLAVIAN	-	-	-	-	-	-	-	-	-	-
38	38	K-DD-7023983-0-0	70-23983-NA		KEYBOARD, USA/UK, W/LOCAL EDITING	-	-	-	-	-	-	-	-	-	-
39	39	K-DD-7023983-0-0	70-23983-NF		KEYBOARD, 2ND FINNISH	-	-	-	-	-	-	-	-	-	-
40	40	K-DD-7023983-0-0	70-23983-NH		KEYBOARD, 2ND HOLLAND	-	-	-	-	-	-	-	-	-	-
41	41	K-DD-7023983-0-0	70-23983-XA		KEYBOARD, XEROX	-	-	-	-	-	-	-	-	-	-
42	42	K-DD-7023983-0-0	70-23983-XB		KEYBOARD, NS100	-	-	-	-	-	-	-	-	-	-
43	43	K-DD-7023983-0-0	70-23983-XC		KEYBOARD, NS200	-	-	-	-	-	-	-	-	-	-
44	44	K-DD-7023983-0-0	70-23983-XD		KEYBOARD, LRS1/10	-	-	-	-	-	-	-	-	-	-
45	45	K-DD-7023983-0-0	70-23983-XE		KEYBOARD, LRS100	-	-	-	-	-	-	-	-	-	-
46	83	K-DD-7023983-0-0	17-00457-08		PWR CORD, TERM 3- .75MM 250V	-	-	-	-	-	-	-	-	-	-

1 GEN: VARIATION A IS FOR DOCUMENTATION REFERENCE ONLY.

2 GEN: QUANTITY OF ITEM #3 IS .0002 GALS.

3 GEN: KEYBOARDS BUILT IN EUROPE WILL USE KEYCAP SET PART NUMBER 7019005 IN PLACE OF 7021081.

D	I	G	I	T	A	L	TITLE	SECTION	OF	H	SIZE	CODE	DOCUMENT NUMBER	REV
							LK201 KEYBOARD				K	PL	LK201-A-DBP	T

PARTS LIST

LINE	ITEM	TOP DOCUMENT	PART NUMBER	MIN REV	DESCRIPTION	QUANTITY PER VARIATION/REVISION									
						EY B2	LA A1	LB A1	LC A1	LD A1	LE A1	LF A1	LG A1	LH A1	LI A1
1	1		37-00698-01		PKG KEYBOARD LK201 CUSTOMER	1	1	1	1	1	1	1	1	1	1
2	2		17-00083-09		PWR CORD,TERM 3-18 SJT 125V	-	-	-	-	-	-	-	-	-	-
3	3		17-00209-00		PWR CORD,TERM 3- .75MM 5A 250V	-	-	-	-	-	-	-	-	-	-
4	4		17-00199-00		PWR CORD,TERM 3 250V	1	-	-	-	-	-	-	-	-	-
5	5		17-00310-01		PWR CORD,TERM 3- .75MM 250V	-	-	-	-	-	-	-	-	-	-
6	6		17-00210-00		PWR CORD,TERM 3- .75MM 250V 6A	-	-	-	-	-	-	-	-	-	-
7	7		17-00364-01		PWR CORD,TERM 3- .75MM 250V 2	-	-	-	-	-	-	-	-	-	-
8	8		17-00198-00		PWR CORD,TERM 3-18 250V	-	-	-	-	-	-	-	-	-	-
9	9	K-DD-7023983-0-0	70-23983-AA		KEYBOARD,USA	-	1	-	-	-	-	-	-	-	-
10	10	K-DD-7023983-0-0	70-23983-AB		KEYBOARD,FLEMISH	-	-	1	-	-	-	-	-	-	-
11	11	K-DD-7023983-0-0	70-23983-AC		KEYBOARD,CANADIAN/FRENCH	-	-	-	1	-	-	-	-	-	-
12	12	K-DD-7023983-0-0	70-23983-AD		KEYBOARD,1ST DANISH	-	-	-	-	1	-	-	-	-	-
13	13	K-DD-7023983-0-0	70-23983-AE		KEYBOARD,UK	-	-	-	-	-	1	-	-	-	-
14	14	K-DD-7023983-0-0	70-23983-AF		KEYBOARD,1ST FINNISH	-	-	-	-	-	-	1	-	-	-
15	15	K-DD-7023983-0-0	70-23983-AG		KEYBOARD,GERMAN	-	-	-	-	-	-	-	1	-	-
16	16	K-DD-7023983-0-0	70-23983-AH		KEYBOARD,1ST HOLLAND	-	-	-	-	-	-	-	-	1	-
17	17	K-DD-7023983-0-0	70-23983-AI		KEYBOARD,ITALIAN	-	-	-	-	-	-	-	-	-	1
18	18	K-DD-7023983-0-0	70-23983-AJ		KEYBOARD,KATAKANA	-	-	-	-	-	-	-	-	-	-
19	19	K-DD-7023983-0-0	70-23983-AK		KEYBOARD,SWISS/FRENCH	-	-	-	-	-	-	-	-	-	-
20	20	K-DD-7023983-0-0	70-23983-AL		KEYBOARD,SWISS/GERMAN	-	-	-	-	-	-	-	-	-	-
21	21	K-DD-7023983-0-0	70-23983-AM		KEYBOARD,SWEDISH	-	-	-	-	-	-	-	-	-	-
22	22	K-DD-7023983-0-0	70-23983-AN		KEYBOARD,1ST NORWEGIAN	-	-	-	-	-	-	-	-	-	-
23	23	K-DD-7023983-0-0	70-23983-AP		KEYBOARD,FRENCH	-	-	-	-	-	-	-	-	-	-
24	24	K-DD-7023983-0-0	70-23983-AS		KEYBOARD,SPANISH	-	-	-	-	-	-	-	-	-	-
25	25	K-DD-7023983-0-0	70-23983-AT		KEYBOARD,HEBREW	-	-	-	-	-	-	-	-	-	-
26	26	K-DD-7023983-0-0	70-23983-AU		KEYBOARD,ICELANDIC	-	-	-	-	-	-	-	-	-	-
27	27	K-DD-7023983-0-0	70-23983-AV		KEYBOARD,PORTUGESE	-	-	-	-	-	-	-	-	-	-
28	28	K-DD-7023983-0-0	70-23983-AY		KEYBOARD,HIRAGANA	-	-	-	-	-	-	-	-	-	-
29	29	K-DD-7023983-0-0	70-23983-EB		KEYBOARD,STENOGRAPHIC	-	-	-	-	-	-	-	-	-	-
30	30	K-DD-7023983-0-0	70-23983-EC		KEYBOARD,APL	-	-	-	-	-	-	-	-	-	-
31	31	K-DD-7023983-0-0	70-23983-ED		KEYBOARD,2ND DANISH	-	-	-	-	-	-	-	-	-	-
32	32	K-DD-7023983-0-0	70-23983-EE		KEYBOARD,UK/USA	-	-	-	-	-	-	-	-	-	-

REVISION HISTORY			KPL MATRIX FORMAT			SECTION D OF H			DRN: D. HEALY			DIGITAL		
									DATE: 18-MAR-82					
ENG	ECO NUMBER	REV	SECTION/VARIATION INDEX			CHK'D: C. LARSON			TITLE PARTS LIST					
AL	LK201-ML003	D	{A}	AA,AB,AC,AD,AE,AF,AG,AH,AI,AJ	DATE: 19-MAY-82			LK201 KEYBOARD						
AL	LK201-A-ML004	E	{B}	AK,AL,AM,AN,AP,AR,AS,AT,AU,AV	DES.ENG: R. LIETERMANN			DOCUMENT NUMBER						
AL	LK201-ML006	F	{C}	AY,AZ,EB,EC,ED,EE,EH,EN,ER,EU	DATE: 19-MAY-82			SIZE CODE NUMBER REV						
AL	LK201-A-ML007	H	{D}	EY,LA,LB,LC,LD,LE,LF,LG,LH,LI	RESP.ENG.: A. LEN			K PL LK201-A-DBP T						
AL	LK201-ML008	J	{E}	LJ,LK,LL,LM,LN,LP,LS,LT,LU,LV	DATE: 19-MAY-82			RELEASE DATE:						
DW	LK201-ML009	K	{F}	LY,NA,NF,NH,RR,RC,RD,RE,RH,RN	MFG.ENG: L. QUARLES			RELEASE STATUS: VALID PARTS						
AJ	LK201-A-ML012	L	{H}	RR,RU,RY,XA,XB,XC,XD,XE	DATE: 19-MAY-82									
AJ	LK201-A-ML013	M	{J}											
DW	LK201-A-ML020	N												
DW	LK201-ML021	P												
DW	LK201-ML022	R												
AJ	LK201-ML023	S			BASIC PART NUMBER: LK201			ASSEMBLY NUMBER: E-UA-LK201-A-0			TOP DOCUMENT NUMBER: K-DD-LK201-0-DBF			
DW	LK201-ML024	T									FILE NAME: Z4412T.PLS			
												EDIT # 9		

"THIS DRAWING AND THE SPECIFICATIONS CONTAINED HEREIN ARE CONFIDENTIAL AND PROPRIETARY. THEY ARE THE PROPERTY OF DIGITAL EQUIPMENT CORPORATION AND SHALL NOT BE REPRODUCED OR COPIED OR USED IN WHOLE OR IN PART AS THE BASIS FOR THE MANUFACTURE OR SALE OF ITEMS WITHOUT WRITTEN PERMISSION. THIS IS AN UNPUBLISHED WORK PROTECTED UNDER THE FEDERAL COPYRIGHT LAWS."

AUTOMATED BY VAXKPL (V1.3)

PARTS LIST

SHEET 02 OF 02

LINE	ITEM	TOP DOCUMENT	PART NUMBER	MIN REV	DESCRIPTION	QUANTITY PER VARIATION/REVISION										
						EY B2	LA A1	LB A1	LC A1	LD A1	LE A1	LF A1	LG A1	LH A1	LI A1	
33	33	K-DD-7023983-0-0	70-23983-EH		KEYBOARD,GREEK	-	-	-	-	-	-	-	-	-	-	-
34	34	K-DD-7023983-0-0	70-23983-EN		KEYBOARD,2ND NORWEGIAN	-	-	-	-	-	-	-	-	-	-	-
35	35	K-DD-7023983-0-0	70-23983-ER		KEYBOARD,ARABIC-ENGLISH	-	-	-	-	-	-	-	-	-	-	-
36	36	K-DD-7023983-0-0	70-23983-EU		KEYBOARD,TURKISH	-	-	-	-	-	-	-	-	-	-	-
37	37	K-DD-7023983-0-0	70-23983-EY		KEYBOARD,YUGOSLAVIAN	1	-	-	-	-	-	-	-	-	-	-
38	38	K-DD-7023983-0-0	70-23983-NA		KEYBOARD,USA/UK,W/LOCAL EDITING	-	-	-	-	-	-	-	-	-	-	-
39	39	K-DD-7023983-0-0	70-23983-NF		KEYBOARD,2ND FINNISH	-	-	-	-	-	-	-	-	-	-	-
40	40	K-DD-7023983-0-0	70-23983-NH		KEYBOARD,2ND HOLLAND	-	-	-	-	-	-	-	-	-	-	-
41	41	K-DD-7023983-0-0	70-23983-XA		KEYBOARD,XEROX	-	-	-	-	-	-	-	-	-	-	-
42	42	K-DD-7023983-0-0	70-23983-XB		KEYBOARD,NS100	-	-	-	-	-	-	-	-	-	-	-
43	43	K-DD-7023983-0-0	70-23983-XC		KEYBOARD,NS200	-	-	-	-	-	-	-	-	-	-	-
44	44	K-DD-7023983-0-0	70-23983-XD		KEYBOARD,LRS17/10	-	-	-	-	-	-	-	-	-	-	-
45	45	K-DD-7023983-0-0	70-23983-XE		KEYBOARD,LRS100	-	-	-	-	-	-	-	-	-	-	-
46	83	K-DD-7023983-0-0	17-00457-08		PWR CORD,TERM 3- .75MM 250V	-	-	-	-	-	-	-	-	-	-	-

- 1 GEN: VARIATION A IS FOR DOCUMENTATION REFERENCE ONLY.
- 2 GEN: QUANTITY OF ITEM #3 IS .0002 GALS.
- 3 GEN: KEYBOARDS BUILT IN EUROPE WILL USE KEYCAP SET PART NUMBER 7019005 IN PLACE OF 7021081.

D	I	G	I	T	A	L	TITLE	SECTION D	OF	H	SIZE	CODE	DOCUMENT NUMBER	REV
							LK201 KEYBOARD				K	PL	LK201-A-DBP	1

PARTS LIST

LINE	ITEM	TOP DOCUMENT	PART NUMBER	MIN REV	DESCRIPTION	QUANTITY PER VARIATION/REVISION									
						LJ AI	LK AI	LL AI	LM AI	LN AI	LP AI	LS AI	LT AI	LU AI	LV AI
1	1		37-00698-01		PKG KEYBOARD LK201 CUSTOMER	1	1	1	1	1	1	1	1	1	1
2	2		17-00083-09		PWR CORD,TERM 3-18 SJT 125V	-	-	-	-	-	-	-	-	-	-
3	3		17-00209-00		PWR CORD,TERM 3- .75MM 5A 250V	-	-	-	-	-	-	-	-	-	-
4	4		17-00199-00		PWR CORD,TERM 3 250V	-	-	-	-	-	-	-	-	-	-
5	5		17-00310-01		PWR CORD,TERM 3- .75MM 250V	-	-	-	-	-	-	-	-	-	-
6	6		17-00210-00		PWR CORD,TERM 3- .75MM 250V 6A	-	-	-	-	-	-	-	-	-	-
7	7		17-00364-01		PWR CORD,TERM 3- .75MM 250V 2	-	-	-	-	-	-	-	-	-	-
8	8		17-00198-00		PWR CORD,TERM 3-18 250V	-	-	-	-	-	-	-	-	-	-
9	9	K-DD-7023983-0-0	70-23983-AA		KEYBOARD,USA	-	-	-	-	-	-	-	-	-	-
10	10	K-DD-7023983-0-0	70-23983-AB		KEYBOARD,FLEMISH	-	-	-	-	-	-	-	-	-	-
11	11	K-DD-7023983-0-0	70-23983-AC		KEYBOARD,CANADIAN/FRENCH	-	-	-	-	-	-	-	-	-	-
12	12	K-DD-7023983-0-0	70-23983-AD		KEYBOARD,1ST DANISH	-	-	-	-	-	-	-	-	-	-
13	13	K-DD-7023983-0-0	70-23983-AE		KEYBOARD,UK	-	-	-	-	-	-	-	-	-	-
14	14	K-DD-7023983-0-0	70-23983-AF		KEYBOARD,1ST FINNISH	-	-	-	-	-	-	-	-	-	-
15	15	K-DD-7023983-0-0	70-23983-AG		KEYBOARD,GERMAN	-	-	-	-	-	-	-	-	-	-
16	16	K-DD-7023983-0-0	70-23983-AH		KEYBOARD,1ST HOLLAND	-	-	-	-	-	-	-	-	-	-
17	17	K-DD-7023983-0-0	70-23983-AI		KEYBOARD,ITALIAN	-	-	-	-	-	-	-	-	-	-
18	18	K-DD-7023983-0-0	70-23983-AJ		KEYBOARD,KATAKANA	1	-	-	-	-	-	-	-	-	-
19	19	K-DD-7023983-0-0	70-23983-AK		KEYBOARD,SWISS/FRENCH	-	1	-	-	-	-	-	-	-	-
20	20	K-DD-7023983-0-0	70-23983-AL		KEYBOARD,SWISS/GERMAN	-	-	1	-	-	-	-	-	-	-
21	21	K-DD-7023983-0-0	70-23983-AM		KEYBOARD,SWEDISH	-	-	-	1	-	-	-	-	-	-
22	22	K-DD-7023983-0-0	70-23983-AN		KEYBOARD,1ST NORWEGIAN	-	-	-	-	1	-	-	-	-	-
23	23	K-DD-7023983-0-0	70-23983-AP		KEYBOARD,FRENCH	-	-	-	-	-	1	-	-	-	-
24	24	K-DD-7023983-0-0	70-23983-AS		KEYBOARD,SPANISH	-	-	-	-	-	-	1	-	-	-
25	25	K-DD-7023983-0-0	70-23983-AT		KEYBOARD,HEBREW	-	-	-	-	-	-	-	1	-	-
26	26	K-DD-7023983-0-0	70-23983-AU		KEYBOARD,ICELANDIC	-	-	-	-	-	-	-	-	1	-
27	27	K-DD-7023983-0-0	70-23983-AV		KEYBOARD,PORTUGESE	-	-	-	-	-	-	-	-	-	1
28	28	K-DD-7023983-0-0	70-23983-AY		KEYBOARD,HIRAGANA	-	-	-	-	-	-	-	-	-	-
29	29	K-DD-7023983-0-0	70-23983-EB		KEYBOARD,STENOGRAPHIC	-	-	-	-	-	-	-	-	-	-
30	30	K-DD-7023983-0-0	70-23983-EC		KEYBOARD,APL	-	-	-	-	-	-	-	-	-	-
31	31	K-DD-7023983-0-0	70-23983-ED		KEYBOARD,2ND DANISH	-	-	-	-	-	-	-	-	-	-
32	32	K-DD-7023983-0-0	70-23983-EE		KEYBOARD,UK/USA	-	-	-	-	-	-	-	-	-	-

REVISION HISTORY			KPL MATRIX FORMAT			SECTION E OF H:DRN: D. HEALY			DIGITAL			
ENG	ECO NUMBER	REV	SECTION/VARIATION INDEX			DATE: 18-MAR-82			TITLE PARTS LIST			
AL	LK201-ML003	D	[A]	AA,AB,AC,AD,AE,AF,AG,AH,AI,AJ	CHK'D: C. LARSON			LK201 KEYBOARD				
AL	LK201-A-ML004	E	[B]	AK,AL,AM,AN,AP,AR,AS,AT,AU,AV	DATE: 19-MAY-82							
AL	LK201-ML005	F	[C]	AY,AZ,EB,EC,ED,EE,EH,EN,ER,EU	DES.ENG: R. LIETERMANN							
AL	LK201-A-ML007	H	[D]	EY,LA,LB,LC,LD,LE,LF,LG,LH,LI	DATE: 19-MAY-82			DOCUMENT NUMBER				
AL	LK201-ML008	J	[E]	LJ,LK,LL,LM,LN,LP,LS,LT,LU,LV	RESP.ENG.: A. LEN			SIZE	CODE	NUMBER	REV	
DW	LK201-ML009	K	[F]	LY,NA,NF,NH,RB,RC,RD,RE,RH,RN	DATE: 19-MAY-82			K	PL	LK201-A-DBP	T	
AJ	LK201-A-ML012	L	[H]	RR,RU,RY,XA,XB,XC,XD,XE	MFG.ENG: L. QUARLES			RELEASE DATE:				
DW	LK201-A-ML020	N			DATE: 19-MAY-82			RELEASE STATUS: VALID PARTS				
DW	LK201-ML021	P										
DW	LK201-ML022	R										
AJ	LK201-ML023	S			BASIC PART NUMBER: LK201			ASSEMBLY NUMBER: E-UA-LK201-A-0			FILE NAME: Z4412T.PLS	EDIT # 9
DW	LK201-ML024	T			TOP DOCUMENT NUMBER: K-DD-LK201-0-DBP							

"THIS DRAWING AND THE SPECIFICATIONS CONTAINED HEREIN ARE CONFIDENTIAL AND PROPRIETARY. THEY ARE THE PROPERTY OF DIGITAL EQUIPMENT CORPORATION AND SHALL NOT BE REPRODUCED OR COPIED OR USED IN WHOLE OR IN PART AS THE BASIS FOR THE MANUFACTURE OR SALE OF ITEMS WITHOUT WRITTEN PERMISSION. THIS IS AN UNPUBLISHED WORK PROTECTED UNDER THE FEDERAL COPYRIGHT LAWS."

AUTOMATED BY VAXKPL (V1,3)

P A R T S L I S T

SHEET E2 OF E2

LINE	ITEM	TOP DOCUMENT	PART NUMBER	MIN REV	DESCRIPTION	QUANTITY PER VARIATION/REVISION										
						LJ A1	LK A1	LL A1	LM A1	LN A1	LP A1	LS A1	LT A1	LU A1	LV A1	
33	33	K-DD-7023983-0-0	70-23983-EH		KEYBOARD,GREEK	-	-	-	-	-	-	-	-	-	-	-
34	34	K-DD-7023983-0-0	70-23983-EN		KEYBOARD,2ND NORWEGIAN	-	-	-	-	-	-	-	-	-	-	-
35	35	K-DD-7023983-0-0	70-23983-ER		KEYBOARD,ARABIC-ENGLISH	-	-	-	-	-	-	-	-	-	-	-
36	36	K-DD-7023983-0-0	70-23983-EU		KEYBOARD,TURKISH	-	-	-	-	-	-	-	-	-	-	-
37	37	K-DD-7023983-0-0	70-23983-EY		KEYBOARD,YUGOSLAVIAN	-	-	-	-	-	-	-	-	-	-	-
38	38	K-DD-7023983-0-0	70-23983-NA		KEYBOARD,USA/UK,W/LOCAL EDITING	-	-	-	-	-	-	-	-	-	-	-
39	39	K-DD-7023983-0-0	70-23983-NF		KEYBOARD,2ND FINNISH	-	-	-	-	-	-	-	-	-	-	-
40	40	K-DD-7023983-0-0	70-23983-NH		KEYBOARD,2ND HOLLAND	-	-	-	-	-	-	-	-	-	-	-
41	41	K-DD-7023983-0-0	70-23983-XA		KEYBOARD,XEROX	-	-	-	-	-	-	-	-	-	-	-
42	42	K-DD-7023983-0-0	70-23983-XB		KEYBOARD,NS100	-	-	-	-	-	-	-	-	-	-	-
43	43	K-DD-7023983-0-0	70-23983-XC		KEYBOARD,NS200	-	-	-	-	-	-	-	-	-	-	-
44	44	K-DD-7023983-0-0	70-23983-XD		KEYBOARD,LRS1/10	-	-	-	-	-	-	-	-	-	-	-
45	45	K-DD-7023983-0-0	70-23983-XE		KEYBOARD,LRS100	-	-	-	-	-	-	-	-	-	-	-
46	83	K-DD-7023983-0-0	17-00457-08		PWR CORD,TERM 3- .75MM 250V	-	-	-	-	-	-	-	-	-	-	-

1 GEN: VARIATION A IS FOR DOCUMENTATION REFERENCE ONLY.

2 GEN: QUANTITY OF ITEM #3 IS .0002 GALS.

3 GEN: KEYBOARDS BUILT IN EUROPE WILL USE KEYCAP SET PART NUMBER 7019005 IN PLACE OF 7021081.

D	I	G	I	T	A	L	TITLE	SECTION E OF H	SIZE	CODE	DOCUMENT NUMBER	REV
							LK201 KEYBOARD		K	PL	LK201-A-DBP	T

PARTS LIST

LINE	ITEM	TOP DOCUMENT	PART NUMBER	MIN REV	DESCRIPTION	QUANTITY PER VARIATION/REVISION									
						LY AI	NA AI	NF AI	NH AI	RB AI	RC AI	RD AI	RE AI	RH AI	RN AI
1	1		37-00698-01		PKG KEYBOARD LK201 CUSTOMER	1	1	1	1	1	1	1	1	1	1
2	2		17-00083-09		PWR CORD, TERM 3-18 SJT 125V	-	-	-	-	-	-	-	-	-	-
3	3		17-00209-00		PWR CORD, TERM 3- .75MM 5A 250V	-	-	-	-	-	-	-	-	-	-
4	4		17-00199-00		PWR CORD, TERM 3 250V	-	-	-	-	-	-	-	-	-	-
5	5		17-00310-01		PWR CORD, TERM 3- .75MM 250V	-	-	-	-	-	-	-	-	-	-
6	6		17-00210-00		PWR CORD, TERM 3- .75MM 250V 6A	-	-	-	-	-	-	-	-	-	-
7	7		17-00364-01		PWR CORD, TERM 3- .75MM 250V 2	-	-	-	-	-	-	-	-	-	-
8	8		17-00198-00		PWR CORD, TERM 3-18 250V	-	-	-	-	-	-	-	-	-	-
9	9	K-DD-7023983-0-0	70-23983-AA		KEYBOARD, USA	-	-	-	-	-	-	-	-	-	-
10	10	K-DD-7023983-0-0	70-23983-AB		KEYBOARD, FLEMISH	-	-	-	-	-	-	-	-	-	-
11	11	K-DD-7023983-0-0	70-23983-AC		KEYBOARD, CANADIAN/FRENCH	-	-	-	-	-	-	-	-	-	-
12	12	K-DD-7023983-0-0	70-23983-AD		KEYBOARD, 1ST DANISH	-	-	-	-	-	-	-	-	-	-
13	13	K-DD-7023983-0-0	70-23983-AE		KEYBOARD, UK	-	-	-	-	-	-	-	-	-	-
14	14	K-DD-7023983-0-0	70-23983-AF		KEYBOARD, 1ST FINNISH	-	-	-	-	-	-	-	-	-	-
15	15	K-DD-7023983-0-0	70-23983-AG		KEYBOARD, GERMAN	-	-	-	-	-	-	-	-	-	-
16	16	K-DD-7023983-0-0	70-23983-AH		KEYBOARD, 1ST HOLLAND	-	-	-	-	-	-	-	-	-	-
17	17	K-DD-7023983-0-0	70-23983-AI		KEYBOARD, ITALIAN	-	-	-	-	-	-	-	-	-	-
18	18	K-DD-7023983-0-0	70-23983-AJ		KEYBOARD, KATAKANA	-	-	-	-	-	-	-	-	-	-
19	19	K-DD-7023983-0-0	70-23983-AK		KEYBOARD, SWISS/FRENCH	-	-	-	-	-	-	-	-	-	-
20	20	K-DD-7023983-0-0	70-23983-AL		KEYBOARD, SWISS/GERMAN	-	-	-	-	-	-	-	-	-	-
21	21	K-DD-7023983-0-0	70-23983-AM		KEYBOARD, SWEDISH	-	-	-	-	-	-	-	-	-	-
22	22	K-DD-7023983-0-0	70-23983-AN		KEYBOARD, 1ST NORWEGIAN	-	-	-	-	-	-	-	-	-	-
23	23	K-DD-7023983-0-0	70-23983-AP		KEYBOARD, FRENCH	-	-	-	-	-	-	-	-	-	-
24	24	K-DD-7023983-0-0	70-23983-AS		KEYBOARD, SPANISH	-	-	-	-	-	-	-	-	-	-
25	25	K-DD-7023983-0-0	70-23983-AT		KEYBOARD, HEBREW	-	-	-	-	-	-	-	-	-	-
26	26	K-DD-7023983-0-0	70-23983-AU		KEYBOARD, ICELANDIC	-	-	-	-	-	-	-	-	-	-
27	27	K-DD-7023983-0-0	70-23983-AV		KEYBOARD, PORTUGUESE	-	-	-	-	-	-	-	-	-	-
28	28	K-DD-7023983-0-0	70-23983-AY		KEYBOARD, HIRAGANA	1	-	-	-	-	-	-	-	-	-
29	29	K-DD-7023983-0-0	70-23983-EB		KEYBOARD, STENOGRAPHIC	-	-	-	-	1	-	-	-	-	-
30	30	K-DD-7023983-0-0	70-23983-EC		KEYBOARD, APL	-	-	-	-	-	1	-	-	-	-
31	31	K-DD-7023983-0-0	70-23983-ED		KEYBOARD, 2ND DANISH	-	-	-	-	-	-	1	-	-	-
32	32	K-DD-7023983-0-0	70-23983-EE		KEYBOARD, UK/USA	-	-	-	-	-	-	-	1	-	-

REVISION HISTORY			KPL MATRIX FORMAT SECTION F OF H:DRN: D, HEALY			DIGITAL			
ENG	ECO NUMBER	REV	SECTION/VARIATION INDEX			DATE: 18-MAR-82			
AL	LK201-ML003	D	[A]	AA, AB, AC, AD, AE, AF, AG, AH, AI, AJ	CHK'D: C. LARSON	TITLE PARTS LIST			
AL	LK201-A-ML004	E	[B]	AK, AL, AM, AN, AP, AR, AS, AT, AU, AV	DATE: 19-MAY-82	LK201 KEYBOARD			
AL	LK201-ML006	F	[C]	AY, AZ, EB, EC, ED, EE, EH, EN, ER, EU	DES. ENG: R. LIETERMANN				
AL	LK201-A-ML007	H	[D]	EY, LA, LB, LC, LD, LE, LF, LG, LH, LI	DATE: 19-MAY-82	DOCUMENT NUMBER			
AL	LK201-ML008	J	[E]	LJ, LK, LL, LM, LN, LP, LS, LT, LU, LV		SIZE	CODE	NUMBER	REV
DW	LK201-ML009	K	[F]	LY, NA, NF, NH, RB, RC, RD, RE, RH, RN	RESP. ENG.: A. LEN	K	PL	LK201-A-DBP	T
AJ	LK201-A-ML012	L	[H]	RR, RU, RY, XA, XB, XC, XD, XE	DATE: 19-MAY-82				
AJ	LK201-A-ML013	M	[J]						
DW	LK201-A-ML020	N			MFG. ENG: L. QUARLES	RELEASE DATE:			
DW	LK201-ML021	P			DATE: 19-MAY-82	RELEASE STATUS: VALID PARTS			
DW	LK201-ML022	R							
AJ	LK201-ML023	S							
DW	LK201-ML024	T							
			BASIC PART NUMBER:	ASSEMBLY NUMBER:	TOP DOCUMENT NUMBER:	FILE NAME:	EDIT #		
			LK201	E-UA-LK201-A-0	K-DD-LK201-0-DBP	Z4412T.PLS	9		

"THIS DRAWING AND THE SPECIFICATIONS CONTAINED HEREIN ARE CONFIDENTIAL AND PROPRIETARY. THEY ARE THE PROPERTY OF DIGITAL EQUIPMENT CORPORATION AND SHALL NOT BE REPRODUCED OR COPIED OR USED IN WHOLE OR IN PART AS THE BASIS FOR THE MANUFACTURE OR SALE OF ITEMS WITHOUT WRITTEN PERMISSION. THIS IS AN UNPUBLISHED WORK PROTECTED UNDER THE FEDERAL COPYRIGHT LAWS."

AUTOMATED BY VAXKPL (V1.3)

PARTS LIST

SHEET F2 OF F2

LINE	ITEM	TOP DOCUMENT	PART NUMBER	MIN REV	DESCRIPTION	QUANTITY PER VARIATION/REVISION										
						LY A1	NA A1	NF A1	NH A1	RB A1	RC A1	RD A1	RE A1	RH A1	RN A1	
33	33	K-DD-7023983-0-0	70-23983-EH		KEYBOARD,GREEK	-	-	-	-	-	-	-	-	-	1	-
34	34	K-DD-7023983-0-0	70-23983-EN		KEYBOARD,2ND NORWEGIAN	-	-	-	-	-	-	-	-	-	-	1
35	35	K-DD-7023983-0-0	70-23983-ER		KEYBOARD,ARABIC-ENGLISH	-	-	-	-	-	-	-	-	-	-	-
36	36	K-DD-7023983-0-0	70-23983-EU		KEYBOARD,TURKISH	-	-	-	-	-	-	-	-	-	-	-
37	37	K-DD-7023983-0-0	70-23983-EY		KEYBOARD,YUGOSLAVIAN	-	-	-	-	-	-	-	-	-	-	-
38	38	K-DD-7023983-0-0	70-23983-NA		KEYBOARD,USA/UK,W/LOCAL EDITING	-	1	-	-	-	-	-	-	-	-	-
39	39	K-DD-7023983-0-0	70-23983-NF		KEYBOARD,2ND FINNISH	-	-	1	-	-	-	-	-	-	-	-
40	40	K-DD-7023983-0-0	70-23983-NH		KEYBOARD,2ND HOLLAND	-	-	-	1	-	-	-	-	-	-	-
41	41	K-DD-7023983-0-0	70-23983-XA		KEYBOARD,XEROX	-	-	-	-	-	-	-	-	-	-	-
42	42	K-DD-7023983-0-0	70-23983-XB		KEYBOARD,NS100	-	-	-	-	-	-	-	-	-	-	-
43	43	K-DD-7023983-0-0	70-23983-XC		KEYBOARD,NS200	-	-	-	-	-	-	-	-	-	-	-
44	44	K-DD-7023983-0-0	70-23983-XD		KEYBOARD,LRS1/10	-	-	-	-	-	-	-	-	-	-	-
45	45	K-DD-7023983-0-0	70-23983-XE		KEYBOARD,LRS100	-	-	-	-	-	-	-	-	-	-	-
46	83	K-DD-7023983-0-0	17-00457-08		PWR CORD,TERM 3- .75MM 250V	-	-	-	-	-	-	-	-	-	-	-

- 1 GEN: VARIATION A IS FOR DOCUMENTATION REFERENCE ONLY.
- 2 GEN: QUANTITY OF ITEM #3 IS .0002 GALS.
- 3 GEN: KEYBOARDS BUILT IN EUROPE WILL USE KEYCAP SET PART NUMBER 7019005 IN PLACE OF 7021081.

D	I	G	I	T	A	L	TITLE	SECTION F	OF H	SIZE	CODE	DOCUMENT NUMBER	REV
							LK201 KEYBOARD			K	PL	LK201-A-DBP	T

PARTS LIST

LINE	ITEM	TOP DOCUMENT	PART NUMBER	MIN REV	DESCRIPTION	QUANTITY PER VARIATION/REVISION							
						RR A1	RU A1	RY A1	XA B2	XB B2	XC B2	XD A2	XE A2
1	1		37-00698-01		PKG KEYBOARD LK201 CUSTOMER	1	1	1	1	1	1	1	1
2	2		17-00083-09		PWR CORD,TERM 3-18 SJT 125V	-	-	-	-	-	-	-	-
3	3		17-00209-00		PWR CORD,TERM 3- .75MM 5A 250V	-	-	-	-	-	-	-	-
4	4		17-00199-00		PWR CORD,TERM 3 250V	-	-	-	-	-	-	-	-
5	5		17-00310-01		PWR CORD,TERM 3- .75MM 250V	-	-	-	-	-	-	-	-
6	6		17-00210-00		PWR CORD,TERM 3- .75MM 250V 6A	-	-	-	-	-	-	-	-
7	7		17-00364-01		PWR CORD,TERM 3- .75MM 250V 2	-	-	-	-	-	-	-	-
8	8		17-00198-00		PWR CORD,TERM 3-18 250V	-	-	-	-	-	-	-	-
9	9	K-DD-7023983-0-0	70-23983-AA		KEYBOARD,USA	-	-	-	-	-	-	-	-
10	10	K-DD-7023983-0-0	70-23983-AB		KEYBOARD,FLEMISH	-	-	-	-	-	-	-	-
11	11	K-DD-7023983-0-0	70-23983-AC		KEYBOARD,CANADIAN/FRENCH	-	-	-	-	-	-	-	-
12	12	K-DD-7023983-0-0	70-23983-AD		KEYBOARD,1ST DANISH	-	-	-	-	-	-	-	-
13	13	K-DD-7023983-0-0	70-23983-AE		KEYBOARD,UK	-	-	-	-	-	-	-	-
14	14	K-DD-7023983-0-0	70-23983-AF		KEYBOARD,1ST FINNISH	-	-	-	-	-	-	-	-
15	15	K-DD-7023983-0-0	70-23983-AG		KEYBOARD,GERMAN	-	-	-	-	-	-	-	-
16	16	K-DD-7023983-0-0	70-23983-AH		KEYBOARD,1ST HOLLAND	-	-	-	-	-	-	-	-
17	17	K-DD-7023983-0-0	70-23983-AI		KEYBOARD,ITALIAN	-	-	-	-	-	-	-	-
18	18	K-DD-7023983-0-0	70-23983-AJ		KEYBOARD,KATAKANA	-	-	-	-	-	-	-	-
19	19	K-DD-7023983-0-0	70-23983-AK		KEYBOARD,SWISS/FRENCH	-	-	-	-	-	-	-	-
20	20	K-DD-7023983-0-0	70-23983-AL		KEYBOARD,SWISS/GERMAN	-	-	-	-	-	-	-	-
21	21	K-DD-7023983-0-0	70-23983-AM		KEYBOARD,SWEDISH	-	-	-	-	-	-	-	-
22	22	K-DD-7023983-0-0	70-23983-AN		KEYBOARD,1ST NORWEGIAN	-	-	-	-	-	-	-	-
23	23	K-DD-7023983-0-0	70-23983-AP		KEYBOARD,FRENCH	-	-	-	-	-	-	-	-
24	24	K-DD-7023983-0-0	70-23983-AS		KEYBOARD,SPANISH	-	-	-	-	-	-	-	-
25	25	K-DD-7023983-0-0	70-23983-AT		KEYBOARD,HEBREW	-	-	-	-	-	-	-	-
26	26	K-DD-7023983-0-0	70-23983-AU		KEYBOARD,ICELANDIC	-	-	-	-	-	-	-	-
27	27	K-DD-7023983-0-0	70-23983-AV		KEYBOARD,PORTUGESE	-	-	-	-	-	-	-	-
28	28	K-DD-7023983-0-0	70-23983-AY		KEYBOARD,HIRAGANA	-	-	-	-	-	-	-	-
29	29	K-DD-7023983-0-0	70-23983-EB		KEYBOARD,STENOGRAPHIC	-	-	-	-	-	-	-	-
30	30	K-DD-7023983-0-0	70-23983-EC		KEYBOARD,APL	-	-	-	-	-	-	-	-
31	31	K-DD-7023983-0-0	70-23983-ED		KEYBOARD,2ND DANISH	-	-	-	-	-	-	-	-
32	32	K-DD-7023983-0-0	70-23983-EE		KEYBOARD,UK/USA	-	-	-	-	-	-	-	-

REVISION HISTORY			KPL MATRIX FORMAT		SECTION H OF H	DRN: D. HEALY	DIGITAL			
ENG	ECO NUMBER	REV	SECTION/VARIATION INDEX		DATE: 18-MAR-82	CHK'D: C. LARSON	TITLE PARTS LIST			
AL	LK201-ML003	D	[A]	AA,AB,AC,AD,AE,AF,AG,AH,AI,AJ	DATE: 19-MAY-82	DES.ENG: R. LIETERMANN	DOCUMENT NUMBER			
AL	LK201-A-ML004	E	[B]	AK,AL,AM,AN,AP,AR,AS,AT,AU,AV	DATE: 19-MAY-82	RESP.ENG.: A. LEN	SIZE	CODE	NUMBER	REV
AL	LK201-ML006	F	[C]	AY,AZ,EB,EC,ED,EE,EH,EN,ER,EU	DATE: 19-MAY-82	DATE: 19-MAY-82	K	PL	LK201-A-DBP	T
AL	LK201-A-ML007	H	[D]	EY,LA,LB,LC,LD,LE,LF,LG,LH,LI	DATE: 19-MAY-82	MFG.ENG: L. QUARLES	RELEASE DATE:			
AL	LK201-ML008	J	[E]	LJ,LK,LL,LM,LN,LP,LS,LT,LU,LV	DATE: 19-MAY-82	DATE: 19-MAY-82	RELEASE STATUS: VALID PARTS			
DW	LK201-ML009	K	[F]	LY,NA,NF,NH,RB,RC,RD,RE,RH,RN						
AJ	LK201-A-ML012	L	[H]	RR,RU,RY,XA,XB,XC,XD,XE						
AJ	LK201-A-ML013	M	[J]							
DW	LK201-A-ML020	N								
DW	LK201-ML021	P								
DW	LK201-ML022	R								
AJ	LK201-ML023	S								
DW	LK201-ML024	T								
			BASIC PART NUMBER:	ASSEMBLY NUMBER:	TOP DOCUMENT NUMBER:	FILE NAME:	EDIT #			
			LK201	L-UA-LK201-A-0	K-DD-LK201-0-DBF	LZ4412T.PLS	9			

"THIS DRAWING AND THE SPECIFICATIONS CONTAINED HEREIN ARE CONFIDENTIAL AND PROPRIETARY. THEY ARE THE PROPERTY OF DIGITAL EQUIPMENT CORPORATION AND SHALL NOT BE REPRODUCED OR COPIED OR USED IN WHOLE OR IN PART AS THE BASIS FOR THE MANUFACTURE OR SALE OF ITEMS WITHOUT WRITTEN PERMISSION. THIS IS AN UNPUBLISHED WORK PROTECTED UNDER THE FEDERAL COPYRIGHT LAWS."

LINE	ITEM	TOP DOCUMENT	PART NUMBER	MIN REV	DESCRIPTION	QUANTITY PER VARIATION/REVISION							
						RR A1	RU A1	RY A1	XA B2	XB B2	XC B2	XD A2	XE A2
33	33	K-DD-7023983-0-0	70-23983-EH		KEYBOARD,GREEK	-	-	-	-	-	-	-	-
34	34	K-DD-7023983-0-0	70-23983-EN		KEYBOARD,2ND NORWEGIAN	-	-	-	-	-	-	-	-
35	35	K-DD-7023983-0-0	70-23983-ER		KEYBOARD,ARABIC-ENGLISH	1	-	-	-	-	-	-	-
36	36	K-DD-7023983-0-0	70-23983-EU		KEYBOARD,TURKISH	-	1	-	-	-	-	-	-
37	37	K-DD-7023983-0-0	70-23983-EY		KEYBOARD,YUGOSLAVIAN	-	-	1	-	-	-	-	-
38	38	K-DD-7023983-0-0	70-23983-NA		KEYBOARD,USA/UK,W/LOCAL EDITING	-	-	-	-	-	-	-	-
39	39	K-DD-7023983-0-0	70-23983-NF		KEYBOARD,2ND FINNISH	-	-	-	-	-	-	-	-
40	40	K-DD-7023983-0-0	70-23983-NH		KEYBOARD,2ND HOLLAND	-	-	-	-	-	-	-	-
41	41	K-DD-7023983-0-0	70-23983-XA		KEYBOARD,XEROX	-	-	-	1	-	-	-	-
42	42	K-DD-7023983-0-0	70-23983-XB		KEYBOARD,NS100	-	-	-	-	1	-	-	-
43	43	K-DD-7023983-0-0	70-23983-XC		KEYBOARD,NS200	-	-	-	-	-	1	-	-
44	44	K-DD-7023983-0-0	70-23983-XD		KEYBOARD,LRS1/10	-	-	-	-	-	-	1	-
45	45	K-DD-7023983-0-0	70-23983-XE		KEYBOARD,LRS100	-	-	-	-	-	-	-	1
46	83	K-DD-7023983-C-0	17-00457-08		PWR CORD,TERM 3- .75MM 250V	-	-	-	-	-	-	-	-

- 1 GEN: VARIATION A IS FOR DOCUMENTATION REFERENCE ONLY.
- 2 GEN: QUANTITY OF ITEM #3 IS .0002 GALS.
- 3 GEN: KEYBOARDS BUILT IN EUROPE WILL USE KEYCAP SET PART NUMBER 7019005 IN PLACE OF 7021081.

D	I	G	I	T	A	L	TITLE	SECTION H	OF H	SIZE	CODE	DOCUMENT NUMBER	REV
							LK201 KEYBOARD			K	PL	LK201-A-DBP	T

AUTOMATED BY VAXKPL (V1.3)

PARTS LIST

SHEET A1 OF A1

LINE	ITEM	TOP DOCUMENT	PART NUMBER	MIN REV	DESCRIPTION	QUANTITY PER VARIATION/REVISION									
						BA M2	BB B2	BC B2	BD C2	BE L2	BF C2	BG L2	BH B2	BI L2	BK B2
1	1		37-00698-01		PKG KEYBOARD LK201 CUSTOMER	1	1	1	1	1	1	1	1	1	1
2	2		17-00083-09		PWR CORD, TERM 3-18 SJT 125V	1	-	1	-	-	-	-	-	-	-
3	3		17-00209-00		PWR CORD, TERM 3- .75MM 5A 250V	-	-	-	-	1	-	-	1	1	-
4	4		17-00199-00		PWR CORD, TERM 3 250V	-	1	-	-	-	-	-	-	-	-
5	5		17-00310-01		PWR CORD, TERM 3- .75MM 250V	-	-	-	1	-	-	-	-	-	1
6	6		17-00210-00		PWR CORD, TERM 3- .75MM 250V 6A	-	-	-	-	-	-	-	-	1	-
7	7		17-00364-01		PWR CORD, TERM 3- .75MM 250V 2	-	-	-	-	-	-	-	-	-	-
8	8		17-00198-00		PWR CORD, TERM 3-18 250V	-	-	-	-	1	-	-	-	-	-
9	9	K-DD-7023983-0-0	70-23983-BA		KEYBOARD, WPS, USA-CANADA	1	-	-	-	-	-	-	-	-	-
10	10	K-DD-7023983-0-0	70-23983-BB		KEYBOARD, WPS, FLEMISH	-	1	-	-	-	-	-	-	-	-
11	11	K-DD-7023983-0-0	70-23983-BC		KEYBOARD, WPS, CANADIAN/FRENCH	-	-	1	-	-	-	-	-	-	-
12	12	K-DD-7023983-0-0	70-23983-BD		KEYBOARD, WPS, DANISH	-	-	-	1	-	-	-	-	-	-
13	13	K-DD-7023983-0-0	70-23983-BE		KEYBOARD, WPS, FINNISH	-	-	-	-	-	1	-	-	-	-
14	14	K-DD-7023983-0-0	70-23983-BG		KEYBOARD, WPS, GERMAN	-	-	-	-	-	-	1	-	-	-
15	15	K-DD-7023983-0-0	70-23983-BH		KEYBOARD, WPS, HOLLAND	-	-	-	-	-	-	-	1	-	-
16	16	K-DD-7023983-0-0	70-23983-BI		KEYBOARD, WPS, ITALIAN	-	-	-	-	-	-	-	-	1	-
17	17	K-DD-7023983-0-0	70-23983-BK		KEYBOARD, WPS, SWISS/FRENCH	-	-	-	-	-	-	-	-	-	1
18	18	K-DD-7023983-0-0	70-23983-BL		KEYBOARD, WPS, SWISS/GERMAN	-	-	-	-	-	-	-	-	-	-
19	19	K-DD-7023983-0-0	70-23983-BM		KEYBOARD, WPS, SWEDISH	-	-	-	-	-	-	-	-	-	-
20	20	K-DD-7023983-0-0	70-23983-BN		KEYBOARD, WPS, NORWEGIAN	-	-	-	-	-	-	-	-	-	-
21	21	K-DD-7023983-0-0	70-23983-BO		KEYBOARD, WPS, FRENCH	-	-	-	-	-	-	-	-	-	-
22	22	K-DD-7023983-0-0	70-23983-BS		KEYBOARD, WPS, SPANISH	-	-	-	-	-	-	-	-	-	-
23	23	K-DD-7023983-0-0	70-23983-FC		KEYBOARD, WPS, CANADIAN/ENGLISH	-	-	-	-	-	-	-	-	-	-
24	24	K-DD-7023983-0-0	70-23983-FS		KEYBOARD, WPS, F.A.O.	-	-	-	-	-	-	-	-	-	-
25	25	K-DD-7023983-0-0	70-23983-PA		KEYBOARD, WPS, USA/UK, W/LOCAL EDITIN	-	-	-	-	-	-	-	-	-	-

REVISION HISTORY		KPL MATRIX FORMAT		SECTION A OF D		DRN: D.HEALY		DIGITAL	
ENG: ECO NUMBER		REV		SECTION/VARIATION INDEX		DATE: 19-MAY-82		TITLE PARTS LIST	
DW LK201-ML024		F		[A] BA, BB, BC, BD, BE, BF, BG, BH, BI, BK		CHK'D: C.LARSON		LK201 KEYBOARD	
				[B] BL, BM, BN, BP, BR, BS, BZ, FC, FS, MA		DATE: 19-MAY-82		DOCUMENT NUMBER	
				[C] MB, MC, MD, ME, MG, MH, MI, MK, ML, MM		DES. ENG: R.LIETERMAN		SIZE CODE NUMBER REV	
				[D] MN, MP, MS, PA, SC, SS		DATE: 19-MAY-82		K PL LK201-B-DBP F	
				[E]		RESP. ENG: A.LEN		RELEASE DATE: 18-JUN-87	
				[F]		DATE: 19-MAY-82		RELEASE STATUS: RELEASED	
				[H]		MFG. ENG: L.QUARLES			
				[J]		DATE: 19-MAY-82			
				BASIC PART NUMBER: LK201		ASSEMBLY NUMBER: E-UA-LK201-A-0		TOP DOCUMENT NUMBER: K-DD-LK201-0-DBP	
								FILE NAME: Z6234F.PLS	
								EDIT # 6	

"THIS DRAWING AND THE SPECIFICATIONS CONTAINED HEREIN ARE CONFIDENTIAL AND PROPRIETARY. THEY ARE THE PROPERTY OF DIGITAL EQUIPMENT CORPORATION AND SHALL NOT BE REPRODUCED OR COPIED OR USED IN WHOLE OR IN PART AS THE BASIS FOR THE MANUFACTURE OR SALE OF ITEMS WITHOUT WRITTEN PERMISSION. THIS IS AN UNPUBLISHED WORK PROTECTED UNDER THE FEDERAL COPYRIGHT LAWS."

AUTOMATED BY VAXKPL (V1.3)

PARTS LIST

SHEET 01 OF 01

LINE	ITEM	TOP DOCUMENT	PART NUMBER	MIN REV	DESCRIPTION	QUANTITY PER VARIATION/REVISION									
						BL B2	BM C1	BN B2	BP L2	BR A2	BS L2	BZ L2	FC B2	FS B2	MA A1
1	1		37-00698-01		PKG KEYBOARD LK201 CUSTOMER	1	1	1	1	1	1	1	1	1	1
2	2		17-00083-09		PWR CORD, TERM 3-18 SJT 125V	-	-	-	-	-	-	-	-	1	-
3	3		17-00209-00		PWR CORD, TERM 3- .75MM 5A 250V	-	-	-	-	-	-	-	-	-	-
4	4		17-00199-00		PWR CORD, TERM 3 250V	-	1	1	1	-	1	-	-	-	-
5	5		17-00310-01		PWR CORD, TERM 3- .75MM 250V	-	-	-	-	-	-	-	-	-	-
6	6		17-00210-00		PWR CORD, TERM 3- .75MM 250V 6A	1	-	-	-	-	-	-	-	-	-
7	7		17-00364-01		PWR CORD, TERM 3- .75MM 250V 2	-	-	-	-	-	-	-	-	1	-
8	8		17-00198-00		PWR CORD, TERM 3-18 250V	-	-	-	-	-	-	1	-	-	-
9	9	K-DD-7023983-0-0	70-23983-BA		KEYBOARD, WPS, USA-CANADA	-	-	-	-	-	-	-	-	-	1
10	10	K-DD-7023983-0-0	70-23983-BB		KEYBOARD, WPS, FLEMISH	-	-	-	-	-	-	-	-	-	-
11	11	K-DD-7023983-0-0	70-23983-BC		KEYBOARD, WPS, CANADIAN/FRENCH	-	-	-	-	-	-	-	-	-	-
12	12	K-DD-7023983-0-0	70-23983-BD		KEYBOARD, WPS, DANISH	-	-	-	-	-	-	-	-	-	-
13	13	K-DD-7023983-0-0	70-23983-BE		KEYBOARD, WPS, FINNISH	-	-	-	-	-	-	-	-	-	-
14	14	K-DD-7023983-0-0	70-23983-BF		KEYBOARD, WPS, GERMAN	-	-	-	-	-	-	-	-	-	-
15	15	K-DD-7023983-0-0	70-23983-BG		KEYBOARD, WPS, HOLLAND	-	-	-	-	-	-	-	-	-	-
16	16	K-DD-7023983-0-0	70-23983-BH		KEYBOARD, WPS, ITALIAN	-	-	-	-	-	-	-	-	-	-
17	17	K-DD-7023983-0-0	70-23983-BI		KEYBOARD, WPS, SWISS/FRENCH	-	-	-	-	-	-	-	-	-	-
18	18	K-DD-7023983-0-0	70-23983-BL		KEYBOARD, WPS, SWISS/GERMAN	1	-	-	-	-	-	-	-	-	-
19	19	K-DD-7023983-0-0	70-23983-BM		KEYBOARD, WPS, SWEDISH	-	1	-	-	-	-	-	-	-	-
20	20	K-DD-7023983-0-0	70-23983-BN		KEYBOARD, WPS, NORWEGIAN	-	-	1	-	-	-	-	-	-	-
21	21	K-DD-7023983-0-0	70-23983-BP		KEYBOARD, WPS, FRENCH	-	-	-	1	-	-	-	-	-	-
22	22	K-DD-7023983-0-0	70-23983-BS		KEYBOARD, WPS, SPANISH	-	-	-	-	1	1	-	-	-	-
23	23	K-DD-7023983-0-0	70-23983-FC		KEYBOARD, WPS, CANADIAN/ENGLISH	-	-	-	-	-	-	-	1	-	-
24	24	K-DD-7023983-0-0	70-23983-FS		KEYBOARD, WPS, F.A.O.	-	-	-	-	-	-	-	-	1	-
25	25	K-DD-7023983-0-0	70-23983-PA		KEYBOARD, WPS, USA/UK, W/LOCAL EDITIN	-	-	-	-	-	-	-	-	-	-

REVISION HISTORY			KPL MATRIX FORMAT		SECTION B OF D		DRN: D.HEALY		DIGITAL									
ENG	ECO NUMBER	REV	SECTION/VARIATION INDEX				CHK'D:	C.LARSON	TITLE		PARTS LIST							
DW	LK201-ML024	F	(A)	BA, BB, BC, BD, BE, BF, BG, BH, BI, BK	(B)	BL, BM, BN, BP, BR, BS, BZ, FC, FS, MA	DATE:	19-MAY-82	LK201 KEYBOARD									
			(C)	MB, MC, MD, MF, MG, MH, MI, MK, ML, MM	(D)	MN, MP, MS, PA, SC, SS	DES. ENG:	R.LIETERMAN	DOCUMENT NUMBER									
			(E)		(F)		DATE:	19-MAY-82	SIZE	CODE	NUMBER	REV						
			(H)		(J)		RESP. ENG.:	A.LEN	K	PL	LK201-B-DBP	F						
							DATE:	19-MAY-82	RELEASE DATE:		18-JUN-87							
							MFG. ENG.:	L.QUARLES	RELEASE STATUS:		RELEASED							
							DATE:	19-MAY-82	BASIC PART NUMBER:		ASSEMBLY NUMBER:		TOP DOCUMENT NUMBER:		FILE NAME:		EDIT #	
									LK201		E-UA-LK201-A-0		K-DD-LK201-0-DBP		Z6234F.PLS		6	

"THIS DRAWING AND THE SPECIFICATIONS CONTAINED HEREIN ARE CONFIDENTIAL AND PROPRIETARY. THEY ARE THE PROPERTY OF DIGITAL EQUIPMENT CORPORATION AND SHALL NOT BE REPRODUCED OR COPIED OR USED IN WHOLE OR IN PART AS THE BASIS FOR THE MANUFACTURE OR SALE OF ITEMS WITHOUT WRITTEN PERMISSION. THIS IS AN UNPUBLISHED WORK PROTECTED UNDER THE FEDERAL COPYRIGHT LAWS."

LINE	ITEM	TOP DOCUMENT	PART NUMBER	MIN REV	DESCRIPTION	QUANTITY PER VARIATION/REVISION									
						MB A1	MC A1	MD A1	MF A1	MG A1	MH A1	MI A1	MK A1	ML A1	MM A1
1	1		37-00698-01		PKG KEYBOARD LK201 CUSTOMER	1	1	1	1	1	1	1	1	1	1
2	2		17-00083-09		PWR CORD,TERM 3-18 SJT 125V	-	-	-	-	-	-	-	-	-	-
3	3		17-00209-00		PWR CORD,TERM 3- .75MM 5A 250V	-	-	-	-	-	-	-	-	-	-
4	4		17-00199-00		PWR CORD,TERM 3 250V	-	-	-	-	-	-	-	-	-	-
5	5		17-00310-01		PWR CORD,TERM 3- .75MM 250V	-	-	-	-	-	-	-	-	-	-
6	6		17-00210-00		PWR CORD,TERM 3- .75MM 250V 6A	-	-	-	-	-	-	-	-	-	-
7	7		17-00364-01		PWR CORD,TERM 3- .75MM 250V 2	-	-	-	-	-	-	-	-	-	-
8	8		17-00198-00		PWR CORD,TERM 3-18 250V	-	-	-	-	-	-	-	-	-	-
9	9	K-DD-7023983-0-0	70-23983-BA		KEYBOARD,WPS,USA-CANADA	-	-	-	-	-	-	-	-	-	-
10	10	K-DD-7023983-0-0	70-23983-BB		KEYBOARD,WPS,FLEMISH	1	-	-	-	-	-	-	-	-	-
11	11	K-DD-7023983-0-0	70-23983-BC		KEYBOARD,WPS,CANADIAN/FRENCH	-	1	-	-	-	-	-	-	-	-
12	12	K-DD-7023983-0-0	70-23983-BD		KEYBOARD,WPS,DANISH	-	-	1	-	-	-	-	-	-	-
13	13	K-DD-7023983-0-0	70-23983-BE		KEYBOARD,WPS,FINNISH	-	-	-	1	-	-	-	-	-	-
14	14	K-DD-7023983-0-0	70-23983-BG		KEYBOARD,WPS,GERMAN	-	-	-	-	1	-	-	-	-	-
15	15	K-DD-7023983-0-0	70-23983-BH		KEYBOARD,WPS,HOLLAND	-	-	-	-	-	1	-	-	-	-
16	16	K-DD-7023983-0-0	70-23983-BI		KEYBOARD,WPS,ITALIAN	-	-	-	-	-	-	1	-	-	-
17	17	K-DD-7023983-0-0	70-23983-BK		KEYBOARD,WPS,SWISS/FRENCH	-	-	-	-	-	-	-	1	-	-
18	18	K-DD-7023983-0-0	70-23983-BL		KEYBOARD,WPS,SWISS/GERMAN	-	-	-	-	-	-	-	-	1	-
19	19	K-DD-7023983-0-0	70-23983-BM		KEYBOARD,WPS,SWEDISH	-	-	-	-	-	-	-	-	-	1
20	20	K-DD-7023983-0-0	70-23983-BN		KEYBOARD,WPS,NORWEGIAN	-	-	-	-	-	-	-	-	-	-
21	21	K-DD-7023983-0-0	70-23983-BP		KEYBOARD,WPS,FRENCH	-	-	-	-	-	-	-	-	-	-
22	22	K-DD-7023983-0-0	70-23983-BS		KEYBOARD,WPS,SPANISH	-	-	-	-	-	-	-	-	-	-
23	23	K-DD-7023983-0-0	70-23983-FC		KEYBOARD,WPS,CANADIAN/ENGLISH	-	-	-	-	-	-	-	-	-	-
24	24	K-DD-7023983-0-0	70-23983-FS		KEYBOARD,WPS,F.A.O.	-	-	-	-	-	-	-	-	-	-
25	25	K-DD-7023983-0-0	70-23983-PA		KEYBOARD,WPS,USA/UK,W/LOCAL EDITIN	-	-	-	-	-	-	-	-	-	-

REVISION HISTORY		KPL MATRIX FORMAT		SECTION C OF D	DRN: D.HEALY	DIGITAL			
ENG	ECO NUMBER	REV	SECTION/VARIATION INDEX		DATE: 19-MAY-82	TITLE		PARTS LIST	
DW	LK201-ML024	F	[[A]	BA,BB,BC,BD,BE,BF,BG,BH,BI,BK	CHK'D: C.LARSON	LK201 KEYBOARD			
			[[B]	BL,BM,BN,BP,BR,BS,BZ,FC,FS,MA	DATE: 19-MAY-82				
			[[C]	MB,MC,MD,MF,MG,MH,MI,MK,ML,MM	DES.ENG: R.LIETERMAN				
			[[D]	MN,MP,MS,PA,SC,SS	DATE: 19-MAY-82	DOCUMENT NUMBER			
			[[E]			SIZE	CODE	NUMBER	REV
			[[F]		RESP.ENG: A.LEN	K	PL	LK201-B-DBP	F
			[[H]		DATE: 19-MAY-82	RELEASE DATE: 18-JUN-87			
			[[J]		MFG.ENG: L.QUARLES	RELEASE STATUS: RELEASED			
					DATE: 19-MAY-82				
BASIC PART NUMBER:		ASSEMBLY NUMBER:		TOP DOCUMENT NUMBER:		FILE NAME:		EDIT #	
LK201		E-UA-LK201-A-0		K-DD-LK201-0-DBF		Z6234F.PLS		6	

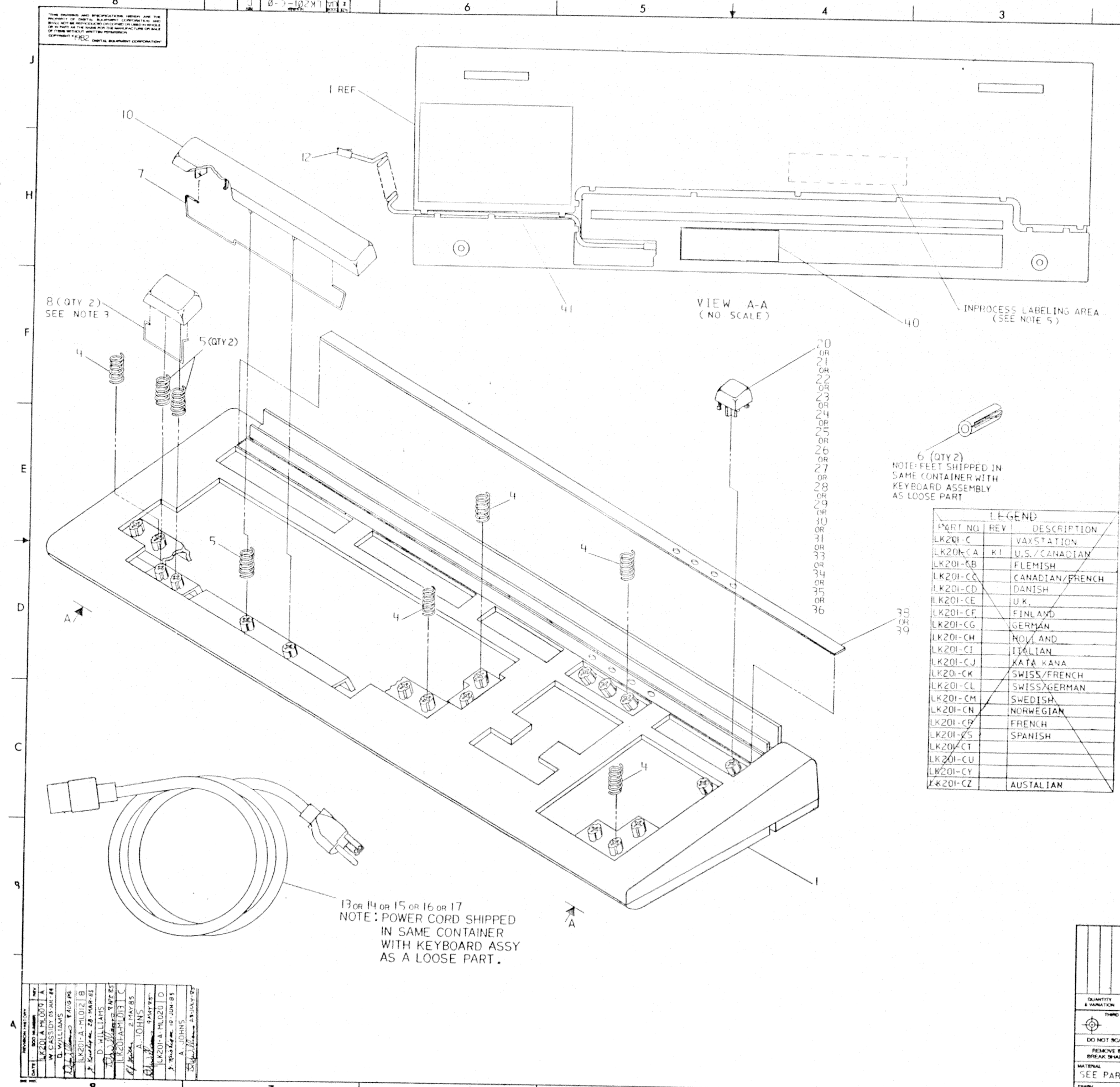
"THIS DRAWING AND THE SPECIFICATIONS CONTAINED HEREIN ARE CONFIDENTIAL AND PROPRIETARY. THEY ARE THE PROPERTY OF DIGITAL EQUIPMENT CORPORATION AND SHALL NOT BE REPRODUCED OR COPIED OR USED IN WHOLE OR IN PART AS THE BASIS FOR THE MANUFACTURE OR SALE OF ITEMS WITHOUT WRITTEN PERMISSION. THIS IS AN UNPUBLISHED WORK PROTECTED UNDER THE FEDERAL COPYRIGHT LAWS."

LINE	ITEM	TOP DOCUMENT	PART NUMBER	MIN REV	DESCRIPTION	QUANTITY PER VARIATION/REVISION					
						MN	MP	MS	PA	SC	SS
						AI	AI	AI	AI	AI	AI
1	1		37-00698-01		PKG KEYBOARD LK201 CUSTOMER	1	1	1	1	1	1
2	2		17-00023-09		PWR CORD, TERM 3-18 SJT 125V	-	-	-	-	-	-
3	3		17-00209-00		PWR CORD, TERM 3- .75MM 5A 250V	-	-	-	-	-	-
4	4		17-00199-00		PWR CORD, TERM 3 250V	-	-	-	-	-	-
5	5		17-00310-01		PWR CORD, TERM 3- .75MM 250V	-	-	-	-	-	-
6	6		17-00210-00		PWR CORD, TERM 3- .75MM 250V 6A	-	-	-	-	-	-
7	7		17-00364-01		PWR CORD, TERM 3- .75MM 250V 2	-	-	-	-	-	-
8	8		17-00198-00		PWR CORD, TERM 3-18 250V	-	-	-	-	-	-
9	9	K-DD-7023983-0-0	70-23983-BA		KEYBOARD, WPS, USA-CANADA	-	-	-	-	-	-
10	10	K-DD-7023983-0-0	70-23983-BB		KEYBOARD, WPS, FLEMISH	-	-	-	-	-	-
11	11	K-DD-7023983-0-0	70-23983-BC		KEYBOARD, WPS, CANADIAN/FRENCH	-	-	-	-	-	-
12	12	K-DD-7023983-0-0	70-23983-BD		KEYBOARD, WPS, DANISH	-	-	-	-	-	-
13	13	K-DD-7023983-0-0	70-23983-BE		KEYBOARD, WPS, FINNISH	-	-	-	-	-	-
14	14	K-DD-7023983-0-0	70-23983-BF		KEYBOARD, WPS, GERMAN	-	-	-	-	-	-
15	15	K-DD-7023983-0-0	70-23983-BG		KEYBOARD, WPS, HOLLAND	-	-	-	-	-	-
16	16	K-DD-7023983-0-0	70-23983-BH		KEYBOARD, WPS, ITALIAN	-	-	-	-	-	-
17	17	K-DD-7023983-0-0	70-23983-BI		KEYBOARD, WPS, SWISS/FRENCH	-	-	-	-	-	-
18	18	K-DD-7023983-0-0	70-23983-BL		KEYBOARD, WPS, SWISS/GERMAN	-	-	-	-	-	-
19	19	K-DD-7023983-0-0	70-23983-BM		KEYBOARD, WPS, SWEDISH	-	-	-	-	-	-
20	20	K-DD-7023983-0-0	70-23983-BN		KEYBOARD, WPS, NORWEGIAN	1	-	-	-	-	-
21	21	K-DD-7023983-0-0	70-23983-BO		KEYBOARD, WPS, FRENCH	-	1	-	-	-	-
22	22	K-DD-7023983-0-0	70-23983-BP		KEYBOARD, WPS, SPANISH	-	-	1	-	-	-
23	23	K-DD-7023983-0-0	70-23983-BQ		KEYBOARD, WPS, CANADIAN/ENGLISH	-	-	-	-	1	-
24	24	K-DD-7023983-0-0	70-23983-BR		KEYBOARD, WPS, F.A.O.	-	-	-	-	-	1
25	25	K-DD-7023983-0-0	70-23983-BA		KEYBOARD, WPS, USA/UK, W/LOCAL EDITIN	-	-	-	1	-	-

REVISION HISTORY			KPL MATRIX FORMAT SECTION D OF D		DRN: D. HEALY	DIGITAL				
ENG:	ECO NUMBER	REV	SECTION/VARIATION INDEX		DATE: 19-MAY-82	TITLE PARTS LIST				
DW	LK201-ML024	F	(A)	BA, BB, BC, BD, BE, BF, BG, BH, BI, BK	CHK'D: C. LARSON	LK201 KEYBOARD				
			(B)	BL, BM, BN, BP, BR, BS, BZ, FC, FS, MA	DATE: 19-MAY-82	DOCUMENT NUMBER				
			(C)	MB, MC, MD, ME, MF, MG, MH, MI, MK, ML, MM	DES. ENG: R. LIETERMAN	SIZE	CODE	NUMBER	REV	
			(D)	MN, MP, MS, PA, SC, SS	DATE: 19-MAY-82	K	PL	LK201-B-DBP	F	
			(E)		RESP. ENG.: A. LEN	RELEASE DATE: 18-JUN-87				
			(F)		DATE: 19-MAY-82	RELEASE STATUS: RELEASED				
			(H)		MFG. ENG: L. QUARLES					
			(J)		DATE: 19-MAY-82					
BASIC PART NUMBER:			ASSEMBLY NUMBER:		TOP DOCUMENT NUMBER:		FILE NAME:		EDIT #	
LK201			E-UA-LK201-A-0		K-DD-LK201-0-DBF		Z6234F.PLS		6	

"THIS DRAWING AND THE SPECIFICATIONS CONTAINED HEREIN ARE CONFIDENTIAL AND PROPRIETARY. THEY ARE THE PROPERTY OF DIGITAL EQUIPMENT CORPORATION AND SHALL NOT BE REPRODUCED OR COPIED OR USED IN WHOLE OR IN PART AS THE BASIS FOR THE MANUFACTURE OR SALE OF ITEMS WITHOUT WRITTEN PERMISSION. THIS IS AN UNPUBLISHED WORK PROTECTED UNDER THE FEDERAL COPYRIGHT LAWS."

THE DRAWING AND SPECIFICATIONS HEREBY ARE THE PROPERTY OF DIGITAL EQUIPMENT CORPORATION AND WILL BE REPRODUCED OR COPIED IN WHOLE OR IN PART WITHOUT THE WRITTEN PERMISSION OF DIGITAL EQUIPMENT CORPORATION.
 DIGITAL EQUIPMENT CORPORATION
 CENTURY PARK 2
 BOSTON, MASSACHUSETTS 02116



- NOTES:
- KEYCAPS ARRANGED ACCORDING TO ARRANGEMENT DRAWING D-AR-7019005-0-DBU OR D-AD-7021081-0-DBU.
 - DELETED
 - ITEM 8 IS USED ON SWITCHES A20 A21 & A99 (THE TWO DOUBLE KEYS IN FIRST ROW) ON ARRANGEMENT DRAWING D-AR-7019005-0-DBU.
 - APPLY THIN FILM OF LUBRICANT (ITEM 3) ON PLUNGER AREA OF 5 KEYS PRIOR TO ADDING THEM TO THE KEYBOARD. KEYS IDENTIFIED BY LOCATIONS B99, B11, A23, C13 AND G16 ON KEYCAP ARRANGEMENT DRAWING D-AR-7019005-0-DBU LUBRICANT MUST BE KEPT OFF VISIBLE (TEXTURED) SURFACES OF KEYS.
 - REMOVE LABEL (362283B-01) FROM 5415172 ON 7019004 AND APPLY WITHIN INPROCESS LABELING AREA.

6 (QTY 2)
 NOTE: FEET SHIPPED IN SAME CONTAINER WITH KEYBOARD ASSEMBLY AS LOOSE PART

LEGEND

PART NO.	REV	DESCRIPTION
LK201-C		VAXSTATION
LK201-CA	K1	U.S./CANADIAN
LK201-CB		FLEMISH
LK201-CC		CANADIAN/FRENCH
LK201-CD		DANISH
LK201-CE		U.K.
LK201-CF		FINLAND
LK201-CG		GERMAN
LK201-CH		HOLLAND
LK201-CI		ITALIAN
LK201-CJ		KATA KANA
LK201-CK		SWISS/FRENCH
LK201-CL		SWISS/GERMAN
LK201-CM		SWEDISH
LK201-CN		NORWEGIAN
LK201-CO		FRENCH
LK201-OS		SPANISH
LK201-CT		
LK201-CU		
LK201-CY		
LK201-CZ		AUSTALIAN

CAUTION:
 OFF SHEET PARTS LIST EXISTS.
 SEE K-PL-LK201-C-DBP. (Z9826)

DATE	REV	DESCRIPTION
	A	LK201 A. HLOOY
	B	W. CASSIDY 03-AUG-84
	C	D. WILLIAMS
	D	03-SEP-84
	E	24-SEP-84
	F	28-MAR-85
	G	D. WILLIAMS
	H	28-SEP-85
	I	10-OCT-85
	J	A. JOHNS
	K	29-NOV-85
	L	10-JUN-85
	M	A. JOHNS
	N	29-NOV-85

DESCRIPTION	DRAWING NO.	PART NO.	REV.
UNLESS OTHERWISE SPECIFIED DIMENSIONS ARE IN INCHES AND THE FOLLOWING TOLERANCES APPLY (PER DEC STD 114)			
FINISH: 3:1:1 SURFACE QUALITY: XX-1:BB QUANTITY & VARIATION: XX-1:BB THIRD ANGLE PROJECTION: YES	APPLICABLE DIMENSION RANGE	OVER 0 TO 1/8	OVER 1/8 TO 3/16
		OVER 3/16 TO 1/2	OVER 1/2 TO 1
		OVER 1 TO 2	OVER 2 TO 6
DO NOT SCALE DRAWING PRESERVE DIMENSIONS AND BREAK SHARP CORNERS MATERIAL: SEE PARTS LIST FINISH:	DATE: 11/1/82 DATE: 5-3-82 DATE: 4-3-82	TITLE: LK201-C KEYBOARD DOCUMENT NUMBER: EUA LK201-C-0	

LINE ITEM	TOP DOCUMENT	PART NUMBER	MIN REV	DESCRIPTION	C	QUANTITY PER VARIATION/REVISION									
						CA M1	CB B1	CC C1	CD C1	CE L1	CF B1	CG L1	CH B1	CI B1	
1	1 E-AD-7018416-0-0	70-18416-00		KEYBOARD ASSY	1	1	1	1	1	1	1	1	1	1	1
2	2 A-PA-3700698-0-0	37-00698-01		PKG KEYBOARD LK201 CUSTOMER	1	1	1	1	1	1	1	1	1	1	1
3	3 #SEE NOTE	49-01569-01		LUBRICANT,SILICONE	A/R	A/R	A/R	A/R	A/R	A/R	A/R	A/R	A/R	A/R	A/R
4	4	12-20374-01		SPRING,COMPRESSION .4200DX .250	5	5	5	5	5	5	5	5	5	5	5
5	5	12-20374-02		SPRING,COMPRESSION HIGH FORCE	3	3	3	3	3	3	3	3	3	3	3
6	6 D-MD-7427577-0-DBU	74-27577-01		FOOT,KEYBOARD SLOPE,5 DEGREES	2	2	2	2	2	2	2	2	2	2	2
7	7 C-MD-7427103-0-DBU	74-27103-01		EQUALIZER,SPACE BAR	1	1	1	1	1	1	1	1	1	1	1
8	8 B-MD-7426989-0-DBU	74-26989-01		BAR,EQUALIZER,DOUBLE KEY	2	2	2	2	2	2	2	2	2	2	2
9	9	74-26051-00		*** THIS ITEM IS NOT USED ***	-	-	-	-	-	-	-	-	-	-	-
10	10 D-MD-7428773-0-DBU	74-28773-01		SPACE BAR,LOW-PROFILE,ALT.	-	1	1	1	1	1	1	1	1	1	1
11	11	17-00294-00		*** THIS ITEM IS NOT USED ***	-	-	-	-	-	-	-	-	-	-	-
12	12	17-00397-01		CABLE ASSY,COIL CORD 14'LG	-	1	1	1	1	1	1	1	1	1	1
13	13	17-00083-26		PWR CORD,TERM 3-18 SJT 125V	-	1	-	1	-	-	-	-	-	-	-
14	14	17-00209-00		PWR CORD,TERM 3- .75MM 5A 250V	-	-	-	-	-	1	-	-	-	-	-
15	15	17-00199-00		PWR CORD,TERM 3 250V	-	-	1	-	-	-	1	1	1	-	-
16	16	17-00310-01		PWR CORD,TERM 3- .75MM 250V	-	-	-	-	1	-	-	-	-	-	-
17	17	17-00210-00		PWR CORD,TERM 3- .75MM 250V 6A	-	-	-	-	-	-	-	-	-	-	-
18	18	17-00364-01		PWR CORD,TERM 3- .75MM 250V 2	-	-	-	-	-	-	-	-	-	-	1
19	19	17-00198-00		PWR CORD,TERM 3-18 250V	-	-	-	-	-	-	-	-	-	-	-
20	20 D-AD-7021081-0-DBU	70-21081-27		KEYCAP SET FLEMISH/FAX	-	-	1	-	-	-	-	-	-	-	-
21	21 D-AD-7021081-0-DBU	70-21081-28		KEYCAP SET CAN/FR VAX	-	-	-	1	-	-	-	-	-	-	-
22	22 D-AD-7021081-0-DBU	70-21081-29		KEYCAP SET DENMARK VAX	-	-	-	-	1	-	-	-	-	-	-
23	23 D-AD-7021081-0-DBU	70-21081-30		KEYCAP SET FINLAND VAX	-	-	-	-	-	1	-	-	-	-	-
24	24 D-AD-7021081-0-DBU	70-21081-31		KEYCAP SET HOLLAND VAX	-	-	-	-	-	-	-	-	1	-	-
25	25 D-AD-7021081-0-DBU	70-21081-32		KEYCAP SET ITALIAN VAX	-	-	-	-	-	-	-	-	-	-	1
26	26 D-AD-7021081-0-DBU	70-21081-33		KEYCAP SET KATA KANA VAX	-	-	-	-	-	-	-	-	-	-	-
27	27 D-AD-7021081-0-DBU	70-21081-34		KEYCAP SET SWISS/FR VAX	-	-	-	-	-	-	-	-	-	-	-
28	28 D-AD-7021081-0-DBU	70-21081-35		KEYCAP SET SWISS/GR VAX	-	-	-	-	-	-	-	-	-	-	-
29	29 D-AD-7021081-0-DBU	70-21081-36		KEYCAP SET SWEDISH VAX	-	-	-	-	-	-	-	-	-	-	-
30	30 D-AD-7021081-0-DBU	70-21081-37		KEYCAP SET NORWEGIAN VAX	-	-	-	-	-	-	-	-	-	-	-
31	31 D-AD-7021081-0-DBU	70-21081-38		KEYCAP SET SPANISH VAX	-	-	-	-	-	-	-	-	-	-	-
32	32 D-AD-7021081-0-DBU	70-21081-39		*** THIS ITEM IS NOT USED ***	-	-	-	-	-	-	-	-	-	-	-

REVISION HISTORY			KPL MATRIX FORMAT			SECTION A OF B			DRN: D. HEALY			D I G I T A L		
ENG! ECO NUMBER			REV			SECTION/VARIATION INDEX			DATE: 18-MAR-82					
!DW !LK201-A-ML009			!A			!A) C ,CA,CB,CC,CD,CE,CF,CG,CH,CI			CHK'D: C. LARSON			TITLE PARTS LIST		
!AJ !LK201-A-ML012			!B			!B) CJ,CK,CL,CM,CN,CP,CS,CT,CZ			DATE: 19-MAY-82			LK201 KEYBOARD		
!AJ !LK201-A-ML013			!C			!C)			DES.ENG: R. LIETERMANN					
!DW !LK201-A-ML020			!D			!D)			DATE: 19-MAY-82			DOCUMENT NUMBER		
!DW !LK201-ML022			!E			!E)						SIZE!CODE! NUMBER ! REV		
						!F)			RESP.ENG.: A. LEN					
						!H)			DATE: 19-MAY-82			K ! PL ! LK201-C-DBP ! E		
						!J)			MFG.ENG: L. QUARLES			RELEASE DATE: 30-DEC-85		
									DATE: 19-MAY-82			RELEASE STATUS: RELEASED		
						BASIC PART NUMBER: LK201			ASSEMBLY NUMBER: !E-UA-LK201-C-0			TOP DOCUMENT NUMBER: !K-DD-LK201-0-DBF		
												FILE NAME: !Z9826E.PLS		
												EDIT # 9		

"THIS DRAWING AND THE SPECIFICATIONS CONTAINED HEREIN ARE CONFIDENTIAL AND PROPRIETARY. THEY ARE THE PROPERTY OF DIGITAL EQUIPMENT CORPORATION AND SHALL NOT BE REPRODUCED OR COPIED OR USED IN WHOLE OR IN PART AS THE BASIS FOR THE MANUFACTURE OR SALE OF ITEMS WITHOUT WRITTEN PERMISSION. THIS IS AN UNPUBLISHED WORK PROTECTED UNDER THE FEDERAL COPYRIGHT LAWS."

*** DOCUMENT CONVERTED TO VAX ***

AUTOMATED BY VAXKPL (V1.1)

P A R T S L I S T

SHEET A2 OF A2

LINE ITEM	TOP DOCUMENT	PART NUMBER	MIN REV	DESCRIPTION	C	QUANTITY PER VARIATION/REVISION									
						CA M1	CB B1	CC C1	CD C1	CE L1	CF B1	CG L1	CH B1	CI B1	
33	33 D-AD-7021081-0-DBU	70-21081-17		KEYCAP SET VAX/US	-	1	-	-	-	-	-	-	-	-	-
34	34 D-AD-7021081-0-DBU	70-21081-18		KEYCAP SET VAX/UK	-	-	-	-	-	1	-	-	-	-	-
35	35 D-AD-7021081-0-DBU	70-21081-19		KEYCAP SET VAX/GERMAN	-	-	-	-	-	-	-	1	-	-	-
36	36 D-AD-7021081-0-DBU	70-21081-20		KEYCAP SET VAX/FRENCH	-	-	-	-	-	-	-	-	-	-	-
37	37	17-00083-09		*** THIS ITEM IS NOT USED ***	-	-	-	-	-	-	-	-	-	-	-
38	38 A-PS-3620219-0-0	36-20219-17		LABEL,KEYBOARD,US,VAXSTATION	-	1	-	1	-	1	-	-	-	-	-
39	39 A-PS-3620219-0-0	36-20219-18		LABEL,KEYBOARD,NON-US,VAXSTATION	-	-	1	-	1	-	1	1	1	1	1
40	40	36-20312-03		LABEL,SERIAL/REGULATORY LK201-CA	-	1	1	1	1	1	1	1	1	1	1
41	41 A-PS-3623798-0-0	36-23798-01		LABEL,CABLE CAUTION,LK201	-	1	-	1	-	-	-	-	-	-	-

1 GEN: QUANTITY OF ITEM #3 IS .0002 GALS.
 2 GEN: VARIATION C FOR DOCUMENTATION REFERENCE ONLY.

LINE	ITEM	TOP DOCUMENT	PART NUMBER	MIN REV	DESCRIPTION	QUANTITY PER VARIATION/REVISION									
						CJ B1	CK B1	CL B1	CM B1	CN B1	CP L1	CS B1	CT B1	CZ B1	
1	1	E-AD-7018416-0-0	70-18416-00		KEYBOARD ASSY	1	1	1	1	1	1	1	1	1	
2	2	A-PA-3700698-0-0	37-00698-01		PKG KEYBOARD LK201 CUSTOMER	1	1	1	1	1	1	1	1	1	
3	3	#SEE NOTE	49-01569-01		LUBRICANT,SILICONE	A/R	A/R	A/R	A/R	A/R	A/R	A/R	A/R	A/R	
4	4		12-20374-01		SPRING,COMPRESSION .4200DX .250	5	5	5	5	5	5	5	5	5	
5	5		12-20374-02		SPRING,COMPRESSION HIGH FORCE	3	3	3	3	3	3	3	3	3	
6	6	D-MD-7427577-0-DBU	74-27577-01		FOOT,KEYBOARD SLOPE,5 DEGREES	2	2	2	2	2	2	2	2	2	
7	7	C-MD-7427103-0-DBU	74-27103-01		EQUALIZER,SPACE BAR	1	1	1	1	1	1	1	1	1	
8	8	B-MD-7426989-0-DBU	74-26989-01		BAR,EQUALIZER,DOUBLE KEY	2	2	2	2	2	2	2	2	2	
9	9		74-26051-00		*** THIS ITEM IS NOT USED ***	-	-	-	-	-	-	-	-	-	
10	10	D-MD-7428773-C-DBU	74-28773-01		SPACE BAR,LOW-PROFILE,ALT.	1	1	1	1	1	1	1	-	1	
11	11		17-00294-00		*** THIS ITEM IS NOT USED ***	-	-	-	-	-	-	-	-	-	
12	12		17-00397-01		CABLE ASSY,COIL CORD 14'LG	1	1	1	1	1	1	1	-	1	
13	13		17-00083-26		PWR CORD,TERM 3-18 SJT 125V	1	-	1	-	-	-	-	-	-	
14	14		17-00209-00		PWR CORD,TERM 3- .75MM 5A 250V	-	-	-	-	-	-	-	-	-	
15	15		17-00199-00		PWR CORD,TERM 3 250V	-	-	-	1	1	1	1	-	-	
16	16		17-00310-01		PWR CORD,TERM 3- .75MM 250V	-	-	-	-	-	-	-	-	-	
17	17		17-00210-00		PWR CORD,TERM 3- .75MM 250V 6A	-	1	1	-	-	-	-	-	-	
18	18		17-00364-01		PWR CORD,TERM 3- .75MM 250V 2	-	-	-	-	-	-	-	-	-	
19	19		17-00198-00		PWR CORD,TERM 3-18 250V	-	-	-	-	-	-	-	-	1	
20	20	D-AD-7021081-0-DBU	70-21081-27		KEYCAP SET FLEMISH/FAX	-	-	-	-	-	-	-	-	-	
21	21	D-AD-7021081-0-DBU	70-21081-28		KEYCAP SET CAN/FR VAX	-	-	-	-	-	-	-	-	-	
22	22	D-AD-7021081-0-DBU	70-21081-29		KEYCAP SET DENMARK VAX	-	-	-	-	-	-	-	-	-	
23	23	D-AD-7021081-0-DBU	70-21081-30		KEYCAP SET FINLAND VAX	-	-	-	-	-	-	-	-	-	
24	24	D-AD-7021081-0-DBU	70-21081-31		KEYCAP SET HOLLAND VAX	-	-	-	-	-	-	-	-	-	
25	25	D-AD-7021081-0-DBU	70-21081-32		KEYCAP SET ITALIAN VAX	-	-	-	-	-	-	-	-	-	
26	26	D-AD-7021081-0-DBU	70-21081-33		KEYCAP SET KATA KANA VAX	1	-	-	-	-	-	-	-	-	
27	27	D-AD-7021081-0-DBU	70-21081-34		KEYCAP SET SWISS/FR VAX	-	1	-	-	-	-	-	-	-	
28	28	D-AD-7021081-0-DBU	70-21081-35		KEYCAP SET SWISS/GR VAX	-	-	1	-	-	-	-	-	-	
29	29	D-AD-7021081-0-DBU	70-21081-36		KEYCAP SET SWEDISH VAX	-	-	-	1	-	-	-	-	-	
30	30	D-AD-7021081-0-DBU	70-21081-37		KEYCAP SET NORWEGIAN VAX	-	-	-	-	1	-	-	-	-	
31	31	D-AD-7021081-0-DBU	70-21081-38		KEYCAP SET SPANISH VAX	-	-	-	-	-	1	-	-	-	
32	32	D-AD-7021081-0-DBU	70-21081-39		*** THIS ITEM IS NOT USED ***	-	-	-	-	-	-	-	-	-	

REVISION HISTORY			KPL MATRIX FORMAT		SECTION B OF B		DRN: D. HEALY		DIGITAL						
ENG	ECO NUMBER	REV	SECTION/VARIATION INDEX		DATE: 18-MAR-82		CHK'D: C. LARSON		TITLE PARTS LIST						
DW	LK201-A-ML009	A	[A]	C,CA,CB,CC,CD,CE,CF,CG,CH,CI	DATE: 19-MAY-82		DES.ENG: R. LIETERMANN		DOCUMENT NUMBER						
AJ	LK201-A-ML012	B	[B]	CJ,CK,CL,CM,CN,CP,CS,CT,CZ	DATE: 19-MAY-82		RESP.ENG.: A. LEN		SIZE		CODE		NUMBER		REV
AJ	LK201-A-ML013	C	[C]		DATE: 19-MAY-82		DATE: 19-MAY-82		K		PL		LK201-C-DBP		E
DW	LK201-A-ML020	D	[D]		DATE: 19-MAY-82		MFG.ENG: L. QUARLES		RELEASE DATE: 30-DEC-85						
DW	LK201-ML022	E	[E]		DATE: 19-MAY-82		DATE: 19-MAY-82		RELEASE STATUS: RELEASED						
			[F]												
			[H]												
			[J]												
BASIC PART NUMBER:			ASSEMBLY NUMBER:		TOP DOCUMENT NUMBER:		FILE NAME:		EDIT #						
LK201			E-UA-LK201-C-0		K-DD-LK201-0-DBF		Z9826E.PLS		9						

"THIS DRAWING AND THE SPECIFICATIONS CONTAINED HEREIN ARE CONFIDENTIAL AND PROPRIETARY. THEY ARE THE PROPERTY OF DIGITAL EQUIPMENT CORPORATION AND SHALL NOT BE REPRODUCED OR COPIED OR USED IN WHOLE OR IN PART AS THE BASIS FOR THE MANUFACTURE OR SALE OF ITEMS WITHOUT WRITTEN PERMISSION. THIS IS AN UNPUBLISHED WORK PROTECTED UNDER THE FEDERAL COPYRIGHT LAWS."

*** DOCUMENT CONVERTED TO VAX ***

AUTOMATED BY VAXKPL (V1.1)

P A R T S L I S T

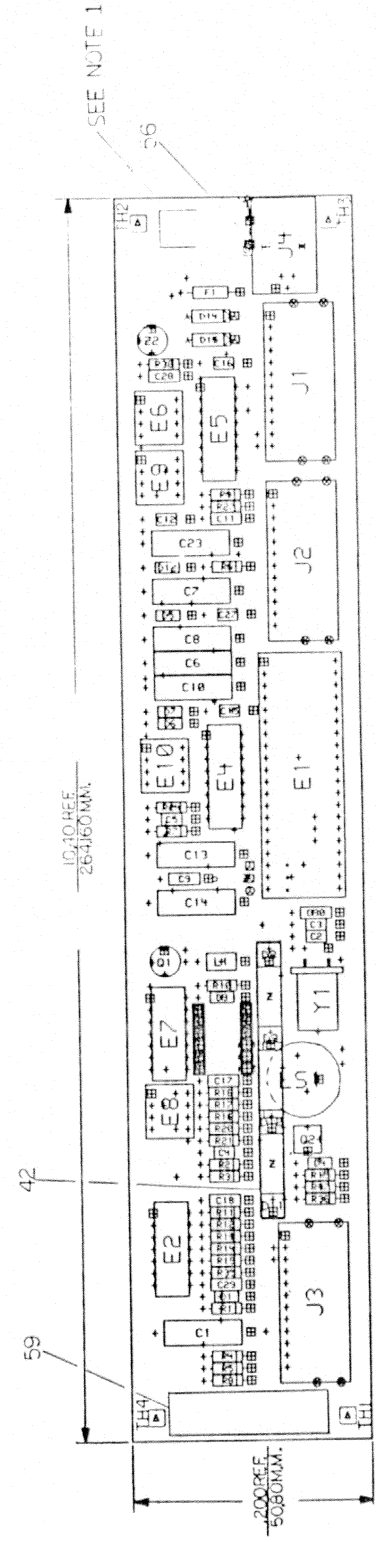
SHEET B2 OF B2

LINE	ITEM	TOP DOCUMENT	PART NUMBER	MIN REV	DESCRIPTION	QUANTITY PER VARIATION/REVISION								
						CJ B1	CK B1	CL B1	CM B1	CN B1	CP L1	CS B1	CT B1	CZ B1
33	33	D-AD-7021081-0-DBU	70-21081-17		KEYCAP SET VAX/US	-	-	-	-	-	-	-	-	1
34	34	D-AD-7021081-0-DBU	70-21081-18		KEYCAP SET VAX/UK	-	-	-	-	-	-	-	-	-
35	35	D-AD-7021081-0-DBU	70-21081-19		KEYCAP SET VAX/GERMAN	-	-	-	-	-	-	-	-	-
36	36	D-AD-7021081-0-DBU	70-21081-20		KEYCAP SET VAX/FRENCH	-	-	-	-	-	1	-	-	-
37	37		17-00083-09		*** THIS ITEM IS NOT USED ***	-	-	-	-	-	-	-	-	-
38	38	A-PS-3620219-0-0	36-20219-17		LABEL,KEYBOARD,US,VAXSTATION	-	-	-	-	-	-	-	-	1
39	39	A-PS-3620219-0-0	36-20219-18		LABEL,KEYBOARD,NON-US,VAXSTATION	1	1	1	1	1	1	1	-	-
40	40		36-20312-03		LABEL,SERIAL/REGULATORY LK201-CA	1	1	1	1	1	1	1	-	1
41	41	A-PS-3623798-0-0	36-23798-01		LABEL,CABLE CAUTION,LK201	-	-	-	-	-	-	-	-	-

1 GEN: QUANTITY OF ITEM #3 IS .0002 GALS.
 2 GEN: VARIATION C FOR DOCUMENTATION REFERENCE ONLY.

D	I	G	I	T	A	L	TITLE	LK201 KEYBOARD	SECTION B	OF B	SIZE	CODE	DOCUMENT NUMBER	REV
											K	PL	LK201-C-DBP	E

1. THIS DRAWING IS THE PROPERTY OF THE U.S. GOVERNMENT AND IS TO BE REPRODUCED AS SHOWN.
 2. THIS DRAWING IS NOT TO BE USED FOR ANY OTHER PURPOSE WITHOUT THE EXPRESS WRITTEN PERMISSION OF THE U.S. GOVERNMENT.
 3. THIS DRAWING IS NOT TO BE USED FOR ANY OTHER PURPOSE WITHOUT THE EXPRESS WRITTEN PERMISSION OF THE U.S. GOVERNMENT.
 4. THIS DRAWING IS NOT TO BE USED FOR ANY OTHER PURPOSE WITHOUT THE EXPRESS WRITTEN PERMISSION OF THE U.S. GOVERNMENT.
 5. THIS DRAWING IS NOT TO BE USED FOR ANY OTHER PURPOSE WITHOUT THE EXPRESS WRITTEN PERMISSION OF THE U.S. GOVERNMENT.
 6. THIS DRAWING IS NOT TO BE USED FOR ANY OTHER PURPOSE WITHOUT THE EXPRESS WRITTEN PERMISSION OF THE U.S. GOVERNMENT.
 7. THIS DRAWING IS NOT TO BE USED FOR ANY OTHER PURPOSE WITHOUT THE EXPRESS WRITTEN PERMISSION OF THE U.S. GOVERNMENT.
 8. THIS DRAWING IS NOT TO BE USED FOR ANY OTHER PURPOSE WITHOUT THE EXPRESS WRITTEN PERMISSION OF THE U.S. GOVERNMENT.
 9. THIS DRAWING IS NOT TO BE USED FOR ANY OTHER PURPOSE WITHOUT THE EXPRESS WRITTEN PERMISSION OF THE U.S. GOVERNMENT.
 10. THIS DRAWING IS NOT TO BE USED FOR ANY OTHER PURPOSE WITHOUT THE EXPRESS WRITTEN PERMISSION OF THE U.S. GOVERNMENT.

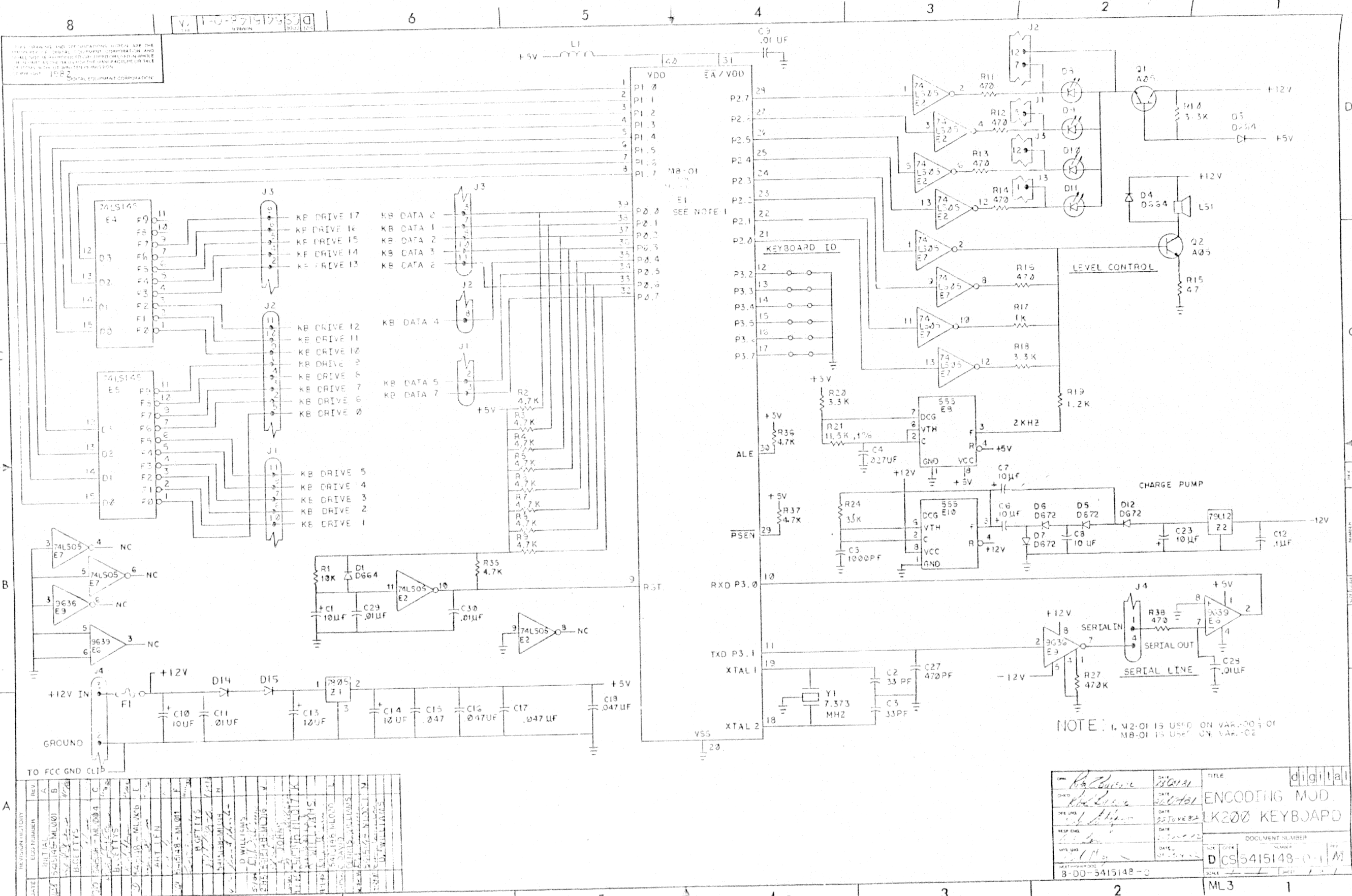


REV	DATE	BY	CHK	APP	DESCRIPTION
1	1/15/49				ISSUED FOR PRODUCTION

REV	DATE	BY	CHK	APP	DESCRIPTION
1	1/15/49				ISSUED FOR PRODUCTION

REV	DATE	BY	CHK	APP	DESCRIPTION
1	1/15/49				ISSUED FOR PRODUCTION

SIGNATURE	DATE	DESIGN	TITLE
		7. CONTINUOUS	digital
		TECH. ENG.	digital
		PROJ. ENG.	digital
		SCALE	digital
		SHT. 1 OF 1	digital
		NET WORKER DESIG.	digital



THIS DRAWING AND THE SPECIFICATIONS HEREON ARE THE PROPERTY OF DIGITAL EQUIPMENT CORPORATION AND SHALL NOT BE REPRODUCED OR TRANSMITTED IN ANY FORM OR BY ANY MEANS, ELECTRONIC OR MECHANICAL, INCLUDING PHOTOCOPYING, RECORDING, OR BY ANY INFORMATION STORAGE AND RETRIEVAL SYSTEM. DIGITAL EQUIPMENT CORPORATION. COPYRIGHT © 1978.

DATE	REVISION	BY	CHKD BY	DESCRIPTION
10/15/78	A	WILLIAMS	WILLIAMS	INITIAL
11/15/78	B	WILLIAMS	WILLIAMS	545148-ML001
12/15/78	C	WILLIAMS	WILLIAMS	BILLETTS
01/15/79	D	WILLIAMS	WILLIAMS	545148-ML004
02/15/79	E	WILLIAMS	WILLIAMS	BILLETTS
03/15/79	F	WILLIAMS	WILLIAMS	BILLETTS
04/15/79	G	WILLIAMS	WILLIAMS	BILLETTS
05/15/79	H	WILLIAMS	WILLIAMS	BILLETTS
06/15/79	I	WILLIAMS	WILLIAMS	BILLETTS
07/15/79	J	WILLIAMS	WILLIAMS	BILLETTS
08/15/79	K	WILLIAMS	WILLIAMS	BILLETTS
09/15/79	L	WILLIAMS	WILLIAMS	BILLETTS
10/15/79	M	WILLIAMS	WILLIAMS	BILLETTS
11/15/79	N	WILLIAMS	WILLIAMS	BILLETTS
12/15/79	O	WILLIAMS	WILLIAMS	BILLETTS
01/15/80	P	WILLIAMS	WILLIAMS	BILLETTS
02/15/80	Q	WILLIAMS	WILLIAMS	BILLETTS
03/15/80	R	WILLIAMS	WILLIAMS	BILLETTS
04/15/80	S	WILLIAMS	WILLIAMS	BILLETTS
05/15/80	T	WILLIAMS	WILLIAMS	BILLETTS
06/15/80	U	WILLIAMS	WILLIAMS	BILLETTS
07/15/80	V	WILLIAMS	WILLIAMS	BILLETTS
08/15/80	W	WILLIAMS	WILLIAMS	BILLETTS
09/15/80	X	WILLIAMS	WILLIAMS	BILLETTS
10/15/80	Y	WILLIAMS	WILLIAMS	BILLETTS
11/15/80	Z	WILLIAMS	WILLIAMS	BILLETTS

DATE	BY	CHKD BY	TITLE
10/15/78	WILLIAMS	WILLIAMS	ENCODING MOD.
11/15/78	WILLIAMS	WILLIAMS	LK200 KEYBOARD
12/15/78	WILLIAMS	WILLIAMS	
01/15/79	WILLIAMS	WILLIAMS	
02/15/79	WILLIAMS	WILLIAMS	
03/15/79	WILLIAMS	WILLIAMS	
04/15/79	WILLIAMS	WILLIAMS	
05/15/79	WILLIAMS	WILLIAMS	
06/15/79	WILLIAMS	WILLIAMS	
07/15/79	WILLIAMS	WILLIAMS	
08/15/79	WILLIAMS	WILLIAMS	
09/15/79	WILLIAMS	WILLIAMS	
10/15/79	WILLIAMS	WILLIAMS	
11/15/79	WILLIAMS	WILLIAMS	
12/15/79	WILLIAMS	WILLIAMS	
01/15/80	WILLIAMS	WILLIAMS	
02/15/80	WILLIAMS	WILLIAMS	
03/15/80	WILLIAMS	WILLIAMS	
04/15/80	WILLIAMS	WILLIAMS	
05/15/80	WILLIAMS	WILLIAMS	
06/15/80	WILLIAMS	WILLIAMS	
07/15/80	WILLIAMS	WILLIAMS	
08/15/80	WILLIAMS	WILLIAMS	
09/15/80	WILLIAMS	WILLIAMS	
10/15/80	WILLIAMS	WILLIAMS	
11/15/80	WILLIAMS	WILLIAMS	
12/15/80	WILLIAMS	WILLIAMS	
01/15/81	WILLIAMS	WILLIAMS	
02/15/81	WILLIAMS	WILLIAMS	
03/15/81	WILLIAMS	WILLIAMS	
04/15/81	WILLIAMS	WILLIAMS	
05/15/81	WILLIAMS	WILLIAMS	
06/15/81	WILLIAMS	WILLIAMS	
07/15/81	WILLIAMS	WILLIAMS	
08/15/81	WILLIAMS	WILLIAMS	
09/15/81	WILLIAMS	WILLIAMS	
10/15/81	WILLIAMS	WILLIAMS	
11/15/81	WILLIAMS	WILLIAMS	
12/15/81	WILLIAMS	WILLIAMS	
01/15/82	WILLIAMS	WILLIAMS	
02/15/82	WILLIAMS	WILLIAMS	
03/15/82	WILLIAMS	WILLIAMS	
04/15/82	WILLIAMS	WILLIAMS	
05/15/82	WILLIAMS	WILLIAMS	
06/15/82	WILLIAMS	WILLIAMS	
07/15/82	WILLIAMS	WILLIAMS	
08/15/82	WILLIAMS	WILLIAMS	
09/15/82	WILLIAMS	WILLIAMS	
10/15/82	WILLIAMS	WILLIAMS	
11/15/82	WILLIAMS	WILLIAMS	
12/15/82	WILLIAMS	WILLIAMS	
01/15/83	WILLIAMS	WILLIAMS	
02/15/83	WILLIAMS	WILLIAMS	
03/15/83	WILLIAMS	WILLIAMS	
04/15/83	WILLIAMS	WILLIAMS	
05/15/83	WILLIAMS	WILLIAMS	
06/15/83	WILLIAMS	WILLIAMS	
07/15/83	WILLIAMS	WILLIAMS	
08/15/83	WILLIAMS	WILLIAMS	
09/15/83	WILLIAMS	WILLIAMS	
10/15/83	WILLIAMS	WILLIAMS	
11/15/83	WILLIAMS	WILLIAMS	
12/15/83	WILLIAMS	WILLIAMS	
01/15/84	WILLIAMS	WILLIAMS	
02/15/84	WILLIAMS	WILLIAMS	
03/15/84	WILLIAMS	WILLIAMS	
04/15/84	WILLIAMS	WILLIAMS	
05/15/84	WILLIAMS	WILLIAMS	
06/15/84	WILLIAMS	WILLIAMS	
07/15/84	WILLIAMS	WILLIAMS	
08/15/84	WILLIAMS	WILLIAMS	
09/15/84	WILLIAMS	WILLIAMS	
10/15/84	WILLIAMS	WILLIAMS	
11/15/84	WILLIAMS	WILLIAMS	
12/15/84	WILLIAMS	WILLIAMS	
01/15/85	WILLIAMS	WILLIAMS	
02/15/85	WILLIAMS	WILLIAMS	
03/15/85	WILLIAMS	WILLIAMS	
04/15/85	WILLIAMS	WILLIAMS	
05/15/85	WILLIAMS	WILLIAMS	
06/15/85	WILLIAMS	WILLIAMS	
07/15/85	WILLIAMS	WILLIAMS	
08/15/85	WILLIAMS	WILLIAMS	
09/15/85	WILLIAMS	WILLIAMS	
10/15/85	WILLIAMS	WILLIAMS	
11/15/85	WILLIAMS	WILLIAMS	
12/15/85	WILLIAMS	WILLIAMS	
01/15/86	WILLIAMS	WILLIAMS	
02/15/86	WILLIAMS	WILLIAMS	
03/15/86	WILLIAMS	WILLIAMS	
04/15/86	WILLIAMS	WILLIAMS	
05/15/86	WILLIAMS	WILLIAMS	
06/15/86	WILLIAMS	WILLIAMS	
07/15/86	WILLIAMS	WILLIAMS	
08/15/86	WILLIAMS	WILLIAMS	
09/15/86	WILLIAMS	WILLIAMS	
10/15/86	WILLIAMS	WILLIAMS	
11/15/86	WILLIAMS	WILLIAMS	
12/15/86	WILLIAMS	WILLIAMS	
01/15/87	WILLIAMS	WILLIAMS	
02/15/87	WILLIAMS	WILLIAMS	
03/15/87	WILLIAMS	WILLIAMS	
04/15/87	WILLIAMS	WILLIAMS	
05/15/87	WILLIAMS	WILLIAMS	
06/15/87	WILLIAMS	WILLIAMS	
07/15/87	WILLIAMS	WILLIAMS	
08/15/87	WILLIAMS	WILLIAMS	
09/15/87	WILLIAMS	WILLIAMS	
10/15/87	WILLIAMS	WILLIAMS	
11/15/87	WILLIAMS	WILLIAMS	
12/15/87	WILLIAMS	WILLIAMS	
01/15/88	WILLIAMS	WILLIAMS	
02/15/88	WILLIAMS	WILLIAMS	
03/15/88	WILLIAMS	WILLIAMS	
04/15/88	WILLIAMS	WILLIAMS	
05/15/88	WILLIAMS	WILLIAMS	
06/15/88	WILLIAMS	WILLIAMS	
07/15/88	WILLIAMS	WILLIAMS	
08/15/88	WILLIAMS	WILLIAMS	
09/15/88	WILLIAMS	WILLIAMS	
10/15/88	WILLIAMS	WILLIAMS	
11/15/88	WILLIAMS	WILLIAMS	
12/15/88	WILLIAMS	WILLIAMS	
01/15/89	WILLIAMS	WILLIAMS	
02/15/89	WILLIAMS	WILLIAMS	
03/15/89	WILLIAMS	WILLIAMS	
04/15/89	WILLIAMS	WILLIAMS	
05/15/89	WILLIAMS	WILLIAMS	
06/15/89	WILLIAMS	WILLIAMS	
07/15/89	WILLIAMS	WILLIAMS	
08/15/89	WILLIAMS	WILLIAMS	
09/15/89	WILLIAMS	WILLIAMS	
10/15/89	WILLIAMS	WILLIAMS	
11/15/89	WILLIAMS	WILLIAMS	
12/15/89	WILLIAMS	WILLIAMS	
01/15/90	WILLIAMS	WILLIAMS	
02/15/90	WILLIAMS	WILLIAMS	
03/15/90	WILLIAMS	WILLIAMS	
04/15/90	WILLIAMS	WILLIAMS	
05/15/90	WILLIAMS	WILLIAMS	
06/15/90	WILLIAMS	WILLIAMS	
07/15/90	WILLIAMS	WILLIAMS	
08/15/90	WILLIAMS	WILLIAMS	
09/15/90	WILLIAMS	WILLIAMS	
10/15/90	WILLIAMS	WILLIAMS	
11/15/90	WILLIAMS	WILLIAMS	
12/15/90	WILLIAMS	WILLIAMS	

D 545148-01

DRAWING NO.	NO. OF SHTS.	PART NO.	DESCRIPTION	REVISIONS																									
				A	B	C	D	E	F	G	H	I	J	K	L	M	N	O	P	Q	R	S	T	U	V	W	X	Y	Z
		5415148-00	ENCODING MOD. LK200 KEYBOARD	A	B	B	C	D	D	E	F	F	F	F2	H1	H2	H3	H4	J1	K1	K1	K2	L1	L1					
E-UA-5415148-0-0	1		ENCODING MOD. LK200 KEYBOARD	A	B	B	C	D	D	E	F	H	J	K	L	M	N	N	P	R	R	R	R						
D-CS-5415148-0-1	1		ENCODING MOD. LK200 KEYBOARD	A	B	B	C	D	E	E	E	E	F	F	F	H	H	J	K	K	K	L	M						
K-PL-5415148-0-DBF	2		ENCODING MOD. LK200 KEYBOARD	A	B	C	D	D	E	F	H	J	K	L	M	N	P	R	S	T	U	V	W	Y					
K-PC-5415148-0-DBJ			P.C. DESIGN DATA BASE	J	K	K	L	L	L	M	M	M	M	N	N	P	R	R	R	S	S	S	S						
		5015147-00	ETCHED CIRCUIT BOARD	J	K	K	L	L	L	M	M	M	M				P2	P2	P2	R1	R1	R1	R1						
B-DD-5015147-0-0	1		DRAWING DIRECTORY	-	-	-	-	-	-	A	A	A	A	B	B	C	D	D	E	F	F	F	F						
		5015147-01	ETCHED CIRCUIT BOARD	-	-	-	-	-	-	-	-	-	-	N1	M1	O1	N1	M1	O1	N1	M1	O1	N1	M1	O1				
		5415148-01	ENCODING MODULE FIELD SERVICE REPAIR/REPLACE	-	-	-	-	-	-	-	-	-	-	-	-	-	-	-	-	-	-	-	A1	A2	B1	B1			
		5415148-02	ENCODING MODULE, PROGRAMMABLE	-	-	-	-	-	-	-	-	-	-	-	-	-	-	-	-	-	-	-	-	-	-	-	AI		

NOTES:

5015H7-01 WAS CREATED IN ERROR AT ML011.
THIS UNIT MAY BE SUBSTITUTED FOR 5015147-00.

REVISIONS		DATE	CHG NO.	REV.
5-82	INT			A
9-82	ML001			B
10-82	ML002			C
11-82	ML004			D
1-83	ML005			E
2-83	ML006			F
3-83	ML007			H
6-83	ML008			J
6-83	ML009			K
7-83	ML010			L
11-83	ML011			M
3-84	ML012			N
2-84	ML013			P
4-84	ML014			R
10-84	ML015			S
2-85	ML016			T
3-85	ML017			V
9-85	ML018			W
5-86	ML019			Y
6-86	ML020			Z
4-87	ML021			AA

THIS DRAWING AND SPECIFICATIONS, HEREIN, ARE THE PROPERTY OF DIGITAL EQUIPMENT CORPORATION AND SHALL NOT BE REPRODUCED OR COPIED OR USED IN WHOLE OR IN PART AS THE BASIS FOR THE MANUFACTURE OR SALE OF ITEMS WITHOUT WRITTEN PERMISSION.

COPYRIGHT © 1982 DIGITAL EQUIPMENT CORPORATION



USED ON OPTION/MODEL
LK201

DRN. J. COTE	16DEC8
CHK'D D. DROZD	16DEC8
ENG. R. GETTYS	2F-JAN82
PROD. L. QUARLES	26-JAN82

TITLE		ENCODING MOD. LK200 KEYBOARD			
SIZE	CODE	NUMBER	REV		
B	DD	5415148-0-0	AA		
SHEET		1 OF 1			

LINE	ITEM	TOP DOCUMENT	PART NUMBER	MIN REV	DESCRIPTION	QTY PER VAR/REV			REFERENCE DESIGNATORS
						00 L1	01 B1	02 A1	
1	1	D-MD-5015147-0-0	50-15147-00		54-15148 DRILL AND ETCH BOARD	1	1	1	
2	2		10-01610-00		0.010MFD 50V +80/-20% Z5U C	5	5	5	C9,C11,C28-C30
3	3		10-12312-00		*** THIS ITEM IS NOT USED ***	-	-	-	
4	4		10-12784-00		0.047MFD 50V +80/-20% Z5U C	4	4	4	C15-C18
5	5		10-13466-02		*** THIS ITEM IS NOT USED ***	-	-	-	
6	6		10-13466-14		*** THIS ITEM IS NOT USED ***	-	-	-	
7	7		10-13466-19		470 PFD 50V +/- 5% NP0 C	1	1	1	C27
8	8		10-15573-00		0.027MFD 50V +/- 5% X7R C	1	1	1	C4
9	9		10-16549-00		*** THIS ITEM IS NOT USED ***	-	-	-	
10	10		10-17472-00		10 MFD 35V +75/-10% ALU	8	8	8	C1,C6-C8,C10,C13,C14,C23
11	11		11-00114-00		PIV= 25 IO=135 MA	3	3	3	D1,D3,D4
12	12		11-05796-00		PIV= 400 IO= 1.00A 1N4004 DO-41	2	2	2	D14,D15
13	13		11-20252-01		RED-ULTRA BRIGHT LED-T1 3/4 12MC	4	4	4	D8-D11
14	14		12-15006-08		SKT,IC 40PIN DIP TIN SOLD	-	-	1	
15	15		12-17477-00		TRANSDUCER,MINIATURE AUDIO,1.5V	1	1	1	LS1
16	16		12-18826-00		CONN,PHONE JACK 04 POS	1	1	1	J4
17	17		12-18827-00		CONN,ZIP 12POS STND FORCE CONN C	3	3	3	J1-J3
18	18		13-00202-00		47.0 .25 W 5.0 % CF	1	1	1	R15
19	19		13-00316-00		470.0 .25 W 5.0 % CF	6	6	6	R11-R14,R16,R38
20	20		13-00365-00		1.0 K .25 W 5.0 % CF	1	1	1	R17
21	21		13-00426-00		*** THIS ITEM IS NOT USED ***	-	-	-	
22	22		13-00439-00		3.30 K .25 W 5.0 % CF	3	3	3	R10,R18,R20
23	23		13-00447-00		4.70 K .25 W 5.0 % CF	11	11	11	R2-R9,R35-R37
24	24		13-00479-00		10.0 K .25 W 5.0 % CF	1	1	1	R1
25	25		13-01320-00		1.20 K .25 W 5.0 % CF	1	1	1	R19
26	26		13-02378-00		*** THIS ITEM IS NOT USED ***	-	-	-	
27	27		13-02398-00		470.0 K .25 W 5.0 % CF	1	1	1	R27
28	28		13-09415-00		11.50 K .25 W 1.0 % RN55D-F10	1	1	1	R21
29	29		13-09417-00		*** THIS ITEM IS NOT USED ***	-	-	-	
30	30		15-10705-00		XA 05 NPN 500MW SI 60 50 P	2	2	2	Q1,Q2
31	31		16-03421-00		*** THIS ITEM IS NOT USED ***	-	-	-	
32	32		16-18238-02		*** THIS ITEM IS NOT USED ***	-	-	-	

REVISION HISTORY			KPL MODULE FORMAT SECTION A OF A		DRN: R.Z.BUREAU	D I G I T A L		
ENG	ECO NUMBER	REV	SECTION/VARIATION INDEX		DATE: 26-MAR-82	TITLE PARTS LIST		
CC	5415148-ML008	H	[A]	00,01,02	[M]	LK200 KEYBOARD ENCODING MODULE		
BG	5415148-ML009	J	[B]		[N]	DOCUMENT NUMBER		
DW	5415148-ML010	K	[C]		[P]	SIZE	CODE	NUMBER
BG	5415148-ML011	L	[D]		[Q]	K	PL	5415148-0-DBP
DW	5415148-ML012	M	[E]		[R]	REV		
BG	5415148-ML013	N	[F]		[S]	RELEASE DATE: 22-MAY-87		
DW	5415148-ML014	P	[H]		[T]	RELEASE STATUS: RELEASED		
AJ	5415148-ML015	R	[J]		[V]	FILE NAME: Z3085Y.PLS		
AJ	5415148-ML016	S	[K]		[W]	EDIT #		
DW	5415148-ML017	T	[L]		[Y]	4		
DW	5415148-ML018	U				BASIC PART NUMBER: 5415148		
DW	5415148-ML020	W				ASSEMBLY NUMBER: D-UA-5415148-0-0		
DW	5415148-ML021	Y				TOP DOCUMENT NUMBER: B-DD-5415148-0		

"THIS DRAWING AND THE SPECIFICATIONS CONTAINED HEREIN ARE CONFIDENTIAL AND PROPRIETARY. THEY ARE THE PROPERTY OF DIGITAL EQUIPMENT CORPORATION AND SHALL NOT BE REPRODUCED OR COPIED OR USED IN WHOLE OR IN PART AS THE BASIS FOR THE MANUFACTURE OR SALE OF ITEMS WITHOUT WRITTEN PERMISSION. THIS IS AN UNPUBLISHED WORK PROTECTED UNDER THE FEDERAL COPYRIGHT LAWS."

PARTS LIST

LINE	ITEM	TOP DOCUMENT	PART NUMBER	MIN REV	DESCRIPTION	QTY PER VAR/REV			REFERENCE DESIGNATORS
						00 L1	01 B1	02 A1	
33	33		18-12396-13		XTAL 7.373 MHZ	1	1	1	Y1
34	34		19-12536-01		7805 VOLT REG, FIX +5V	1	1	1	Z1
35	35		19-12804-00		LS05 INVERTER GATE-HEX 11	2	2	2	E2,E7
36	36		19-14392-00		*** THIS ITEM IS NOT USED ***	-	-	-	
37	37		19-15415-00		*** THIS ITEM IS NOT USED ***	-	-	-	
38	38		19-16028-00		*** THIS ITEM IS NOT USED ***	-	-	-	
39	39		19-19542-01		9639 RECEIVER, LINE, DUAL	1	1	1	E6
40	40		19-19580-01		LS145 DECODER, BCD/DECIMAL	2	2	2	E4,E5
41	41		23-4M1 -00		*** THIS ITEM IS NOT USED ***	-	-	-	
42	42		74-26223-01		SUPPORT, FOR LED, PC MOUNT	1	1	1	
43	43		90-09185-00		*** THIS ITEM IS NOT USED ***	-	-	-	
44	44		16-20585-01		*** THIS ITEM IS NOT USED ***	-	-	-	
45	45		19-16028-B0		*** THIS ITEM IS NOT USED ***	-	-	-	
46	46		19-15415-B0		9636 BURNED-IN DRIVER, DUA	1	1	1	E9
47	47		13-12496-00		*** THIS ITEM IS NOT USED ***	-	-	-	
48	48		12-15006-18		*** THIS ITEM IS NOT USED ***	-	-	-	
49	49		16-21534-01		*** THIS ITEM IS NOT USED ***	-	-	-	
50	50		10-13466-09		1000 PFD 50V +/-10% X7R C	1	1	1	C5
51	51		10-13466-22		0.10 MFD 50V +80/-20% Z5U C	1	1	1	C12
52	52		11-05275-00		PIV= 60 IO=300 MA -15NS	4	4	4	D5-D7,D12
53	53		13-13349-00		33.0 K .25 W 5.0 % CF	1	1	1	R24
54	54		19-11944-00		555CN TIMER, FUNCT. BLOCK	2	2	2	E8,E10
55	55		19-22163-01		79L12 VOLT REG 12V	1	1	1	Z2
56	56		74-29488-01		CLIP, CHASSIS GROUND	1	1	1	
57	57		48-40010-01		*** THIS ITEM IS NOT USED ***	-	-	-	
58	58		36-12911-00		*** THIS ITEM IS NOT USED ***	-	-	-	
59	59	SEE NOTE	36-21711-08		LABEL, BAR CODE 1.375 X .3125	A/R	A/R	A/R	E1
60	60		23-4M2 -00		M2-01	1	1	-	
61	61		13-00195-00		*** THIS ITEM IS NOT USED ***	-	-	-	
62	62		12-10929-11		FUSE PICO .375A 125V AXIAL LEA	1	1	-	F1
63	63		37-00689-05		PKG UNIVERSAL MODULE 30 PACK	-	1	1	
64	64	SEE NOTE	16-24955-01 A		BEAD, FERRITE 1TURN	1	1	1	L1
65	65		10-13466-04		33 PFD 50V +/- 5% NPO C	2	2	2	C2,C3
66	66		23-4M8 -00		M8-01	-	-	1	E1

- 1 GEN: PART NUMBER 23004M1 IS AN ACCEPTABLE ALTERNATE FOR ITEM 60
- 2 GEN: ITEM 59 MAYBE USED BY MFG FOR TRACKING POSES
- 3 GEN: FOR VLO MFG USE: PART NUMBER 16-21534-01 IS AN ACCEPTABLE ALTERNATIVE FOR ITEM 64 PART NUMBER 16-249955-01

D	I	G	I	T	A	L	TITLE	SECTION A OF A	SIZE	CODE	DOCUMENT NUMBER	REV
							LK200 KEYBOARD ENCODING MODULE		K	PL	5415148-0-DBP	Y

ALL DIMENSIONS AND SPECIFICATIONS HEREIN ARE THE PROPERTY OF DIGITAL EQUIPMENT CORPORATION AND SHALL NOT BE REPRODUCED OR COPIED OR USED IN WHOLE OR IN PART IN THE MAKING OF ANY PRODUCT OR IN THE CONSTRUCTION OF ANY MACHINE WITHOUT WRITTEN PERMISSION.
 COPYRIGHT © 1983 DIGITAL EQUIPMENT CORPORATION

B. REFERENCE DATA (CONTINUED)

ACTUATION OF A SWITCH SHALL OCCUR WHEN A WEIGHT OF 32 GRAMS (1.10/-10) IS APPLIED WITH A .08 DIAMETER HARD SPHERICAL ACTUATOR AT SWITCH CENTER (OR WITHIN .040 OF CENTER). EACH SWITCH SHALL OPERATE CLEANLY AT UP TO 10 HZ ACTUATION FREQUENCY.
 MAXIMUM ALLOWABLE CONTACT BOUNCE 5 MS.
 CAPACITANCE ACROSS ANY OPEN SWITCH 100 PICO FARADS MAXIMUM.
 MINIMUM RESISTANCE BETWEEN LINES 20 MEG OHMS.
 MAXIMUM RESISTANCE ACROSS ANY CLOSED SWITCH WHEN MEASURED AT FLEX TAILS 200 OHMS.
 UNIT MUST MEET ALL OF THE ABOVE CRITERIA WHEN SUBJECT TO THE FOLLOWING CONDITIONS:
 20 MILLION ACTUATION CYCLES WITH STANDARD SPHERICAL ACTUATOR WITH MAXIMUM ACTUATOR FORCE OF 150 GRAMS.
 STORAGE TEMPERATURES FROM -20°C TO 60°C.
 OPERATING TEMPERATURES FROM -10°C TO 40°C.
 VOLTAGE ACROSS EACH SWITCH 5 VOLTS.
 CURRENT ACROSS EACH SWITCH 2 MA MAXIMUM.
 RELATIVE HUMIDITY 10% TO 90% WITH MAXIMUM WETBULB OF 28°C AND MINIMUM DEWPOINT 2°C.
 FLAMMABILITY: PART SHALL PASS UL94HB APPLICATION TEST WHEN TESTED IN FINAL END USER CONFIGURATION.
 SHELF LIFE: ONE YEAR PACKAGED AT ABOVE TEMPERATURE AND HUMIDITY CONDITIONS WITHOUT DEGRADATION.
 ASSEMBLY LIFE: 10 YEARS IN APPLICATION.

9. ADD BARCODE LABELS ITEM 3 AND ITEM 4 TO INPROCESS LABELLING AREA DURING KEYBOARD ASSEMBLY PROCESS.

NOTES:

- INTERLAYER BONDING:**
 3 LAYERS TO BE PERMANENTLY BONDED BY MEANS OF A MINIMUM OF 4 TACK WELDS TO BE LOCATED COMPLETELY WITHIN CROSS-HATCHED AREA SHOWN. NO INTERLAYER BONDING ALLOWED OUTSIDE OF CROSS-HATCHED AREA SHOWN.
 BONDING MAY BE VIA HEAT WELDING OR ULTRASONIC WELDING WITHIN REQUIREMENTS OF DETAIL J. BONDS MUST NOT CONTACT ANY CONDUCTIVE TRACE EVEN WITHIN CROSS-HATCHED AREAS.
 BONDS ARE INTENDED TO MAINTAIN ALIGNMENT BETWEEN LAYERS AND NOT FOR SEALING PURPOSES. HOWEVER, BONDS SHOULD EXHIBIT STRENGTH OF THE BASE MATERIAL IN PEEL TEST.
- ALIGNMENT BETWEEN LAYERS:**
 HOLE PATTERNS ON 2 HALVES OF FOLDED MEMBRANE (ITEM 1) AND HOLE PATTERN IN SPACER (ITEM 2) SHOULD BE SUBSTANTIALLY ALIGNED AFTER BONDING SUCH THAT WHEN ASSEMBLY IS RESTRAINED IN FLAT POSITION, A .076 DIAMETER PIN MAY PASS THROUGH EACH OF 280 .100 DIA MOUNTING HOLES WITHOUT CAUSING DEFORMATION OF ANY KIND. THIS IS A MINIMUM REQUIREMENT AND SUBSTANTIALLY BETTER ALIGNMENT BETWEEN HOLE PATTERNS IS A PLUS.
- FOLDS:**
 INSIDE RADIUS OF 4 FOLDS IN ITEM 1 SHOULD BE GREATER THAN .015 INCHES.
- MARKING:**
 PARTS SHOULD BE MARKED IN AREA SHOWN BY MEANS OF INK STAMP OR LABEL WITH THE FOLLOWING INFORMATION:
 DIGITAL PART NUMBER AND REVISION LEVEL
 VENDOR SYMBOL, VENDOR LOT NUMBER, AND DATE CODE.
- WORKMANSHIP:**
 ITEM SHALL BE UNIFORM IN QUALITY AND BE FREE FROM DEFECTS. ITEM SHALL CONFORM TO ALL PROVISIONS OF DOCUMENTS DESCRIBING INDIVIDUAL PARTS PRIOR TO THIS ASSEMBLY.
- PACKAGING AND SHIPPING:**
 UNIT SHALL BE SUPPLIED IN SEALED PLASTIC BAG. ITEM SHALL BE PROPERLY PACKAGED FOR PROTECTION AGAINST DAMAGE AND CONTAMINATION DURING HANDLING, TRANSIT AND STORAGE. PACKAGING SHALL BE SULPHUR FREE, LINT FREE AND FREE OF DEBRIS. MINIMUM MARKING DATA ON CONTAINER SHALL INCLUDE VENDOR SYMBOL, DIGITAL PART NUMBER AND REVISION LEVEL, PURCHASE ORDER NUMBER AND QUANTITY.
- QUALITY ASSURANCE PROVISION:**
 ITEMS SUBMITTED SHALL HAVE BEEN INITIALLY APPROVED BY DIGITAL. APPROVAL SHALL BE GIVEN ONLY AFTER SAMPLES REPRESENTATIVE OF THE VENDOR'S NORMAL PRODUCTION RUN HAVE BEEN EXAMINED, TESTED AND FOUND TO MEET THE REQUIREMENTS OF THIS SPEC. NO CHANGES IN MATERIALS OR PROCESS MAY BE MADE WITHOUT REQUALIFICATION BY DIGITAL.
- PERFORMANCE CRITERIA (REFERENCE):**
 THIS ASSEMBLY HAS BEEN DESIGNED TO OPERATE UNDER THE FOLLOWING CONDITIONS AND MEET THE FOLLOWING CRITERIA. WHEN PARTS ARE BUILT TO MEET THE ABOVE SPECIFICATIONS, IT IS DIGITAL'S BELIEF THAT THE FOLLOWING CRITERIA WILL AUTOMATICALLY BE MET. THEREFORE THIS INFORMATION IS PROVIDED FOR REFERENCE ONLY.

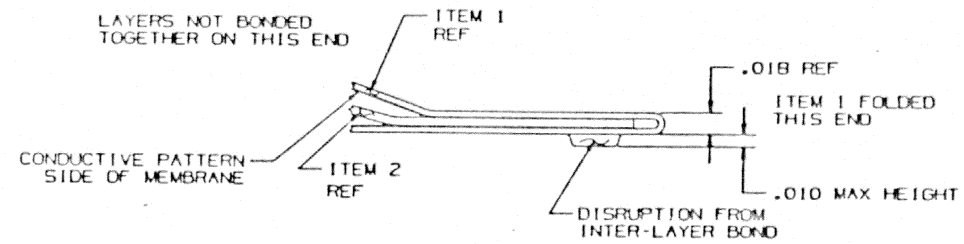
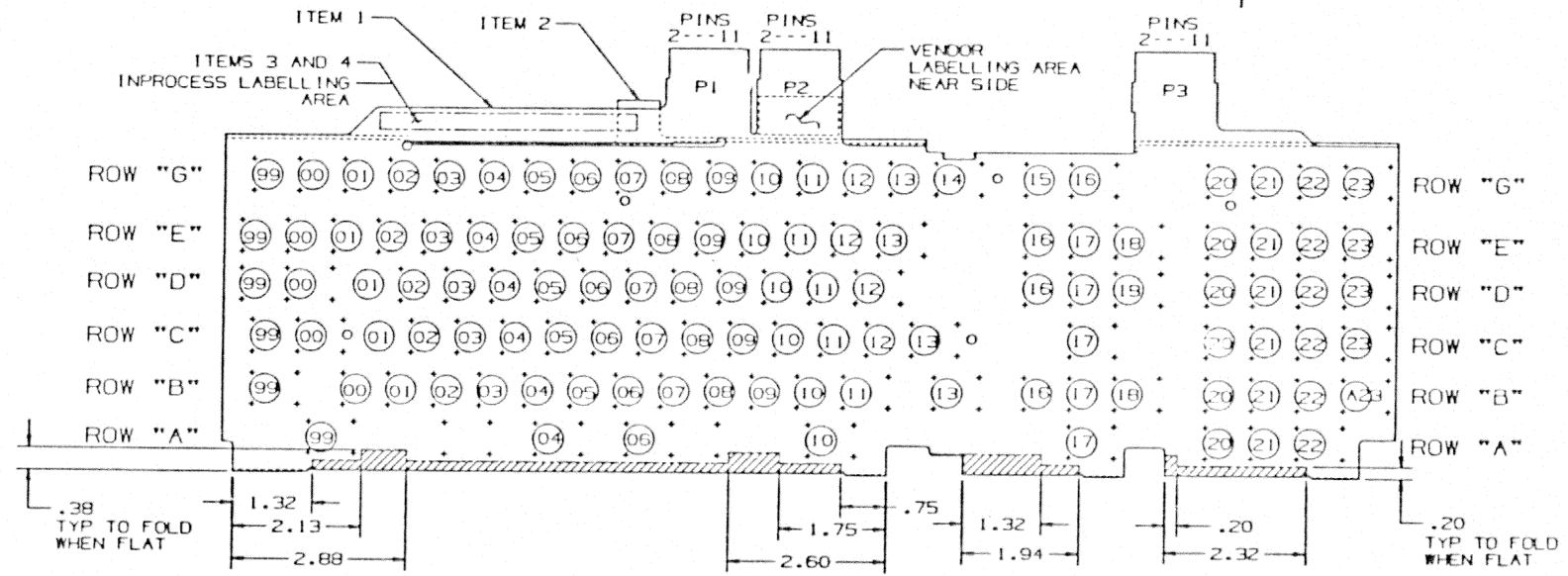
(CONTINUED IN NEXT COLUMN)

DEC CONFIDENTIAL PROPRIETARY INFORMATION

THIS DOCUMENT CONTAINS CONFIDENTIAL PROPRIETARY INFORMATION OF DEC. THIS INFORMATION SHALL NOT BE DISCLOSED TO PERSONS OUTSIDE THE EMPLOY OF DEC, EXCEPT BY DEC PERSONNEL SO AUTHORIZED BY DEC, AND ONLY FOR USE BY SUCH OTHER PERSONS IN THE DESIGN, PRODUCTION, OR MANUFACTURE OF PRODUCTS FOR DEC.

CAUTION: OFF-SHEET PARTS LIST EXISTS SEE K-PL-5415172-0-DBP

PLOT LAYER 1 AT SCALE 1/1



VIEW J
 SCALE 20/1
 (VIEW ROTATED 90°)

REV	DESCRIPTION	DATE
1	INITIAL	11/17/82
2	REVISED	12/17/82
3	REVISED	12/17/82
4	REVISED	12/17/82
5	REVISED	12/17/82
6	REVISED	12/17/82
7	REVISED	12/17/82
8	REVISED	12/17/82
9	REVISED	12/17/82
10	REVISED	12/17/82

DESCRIPTION		DRAWING NO.	PART NO.
UNLESS OTHERWISE SPECIFIED DIMENSIONS ARE IN INCHES AND THE FOLLOWING TOLERANCES APPLY (PER DEC STD 1141)			
DATE	BY	CHKD	APPD
12 MAY 82	J. FAY	A. LEM	
12 MAY 82	J. FAY	A. LEM	
12 MAY 82	J. FAY	A. LEM	
12 MAY 82	J. FAY	A. LEM	
DO NOT SCALE DRAWING		REMOVE DIMPS AND BREAK SHARP CORNERS	
SEE PARTS LIST		SEE PARTS LIST	
TITLE		MEMBRANE ASSY SWITCH ARRAY LK201 KEYBD	
DRAWN		E 1A 5415172-0-DDU	
CHECKED		E 1A 5415172-0-DDU	
DATE		12 MAY 82	
SCALE		1/1	

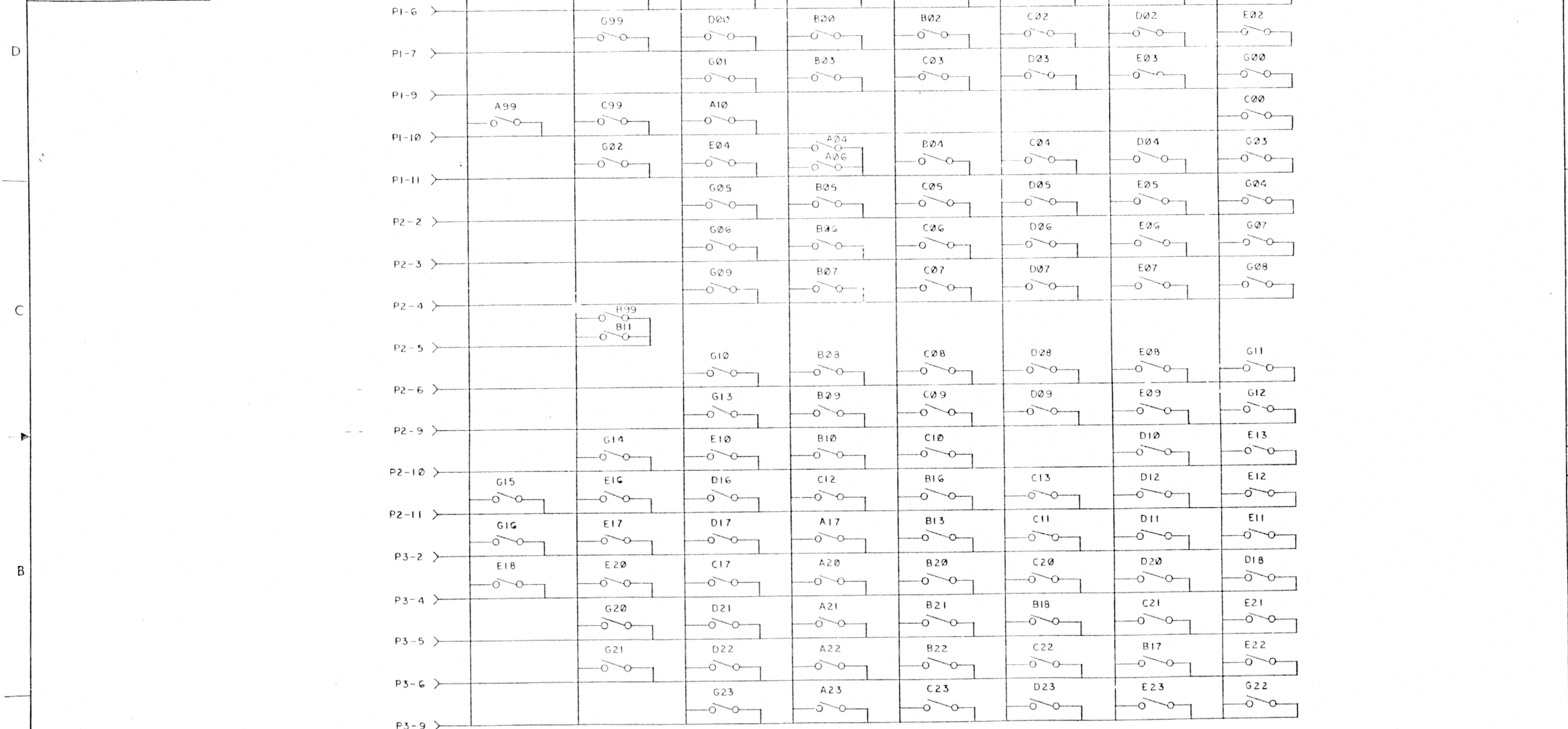
LINE	ITEM	TOP DOCUMENT	PART NUMBER	MIN REV	DESCRIPTION	QTY PER VARIATION
1	1	E-MD-5015171-0-DBU	5015171-00	F	CIRCUIT DRILL & ETCH	1
2	2	E-MD-7426056-0-DBU	7426056-00	C	SPACER, SWITCH ARRAY, KEYBOARD	1
3	3	SEE NOTE	3618460-09		LABEL, BAR CODE BLANK .312X1.6	A/R
4	4		3622883-01		LABEL, BAR CODE, POLYESTER, CLEAR	1

5 NOTE: ITEM 3 MAY BE USED BY MANUFACTURING FOR TRACKING PURPOSES.

REVISION HISTORY			BASIC PART NO: 5415172			D I G I T A L		
ENG	ECO NUMBER	REV	SECTION A OF A	DRN:	JOHN COTE	DATE:	9-APR-82	
---	INITIAL	A	SECTION VARIATION INDEX	CHK'D:	C. LARSEN	DATE:	19-MAY-82	TITLE
RL	5415172-ML001	B	[A]00					PARTS LIST
RL	5415172-ML002	C	[B]	DES.ENG:	R. LEITERMANN	DATE:	19-MAY-82	MEMBRANE ASSY. SWITCH ARRAY
AJ	5415172-ML003	D	[C]	RESP.ENG.:	A. LEN	DATE:	19-MAY-82	LK201 KEYBOARD
AJ	5415172-ML004	E	[D]	MFG.ENG.:	J. FAY	DATE:	19-MAY-82	DOCUMENT NUMBER
AJ	5415172-ML005	F	[E]	ASSEMBLY NUMBER:	E-IA-5415172-0-DBU	TOP DOCUMENT NUMBER:	#B-DD-5415172-0	SIZE CODE NUMBER
			[F]			FILE NAME:	Z3254F.PLS	REV
						RELEASE DATE:	20-NOV-85	
						EDIT #	13	

"THIS DRAWING AND THE SPECIFICATIONS CONTAINED HEREIN ARE CONFIDENTIAL AND PROPRIETARY. THEY ARE THE PROPERTY OF DIGITAL EQUIPMENT CORPORATION AND SHALL NOT BE REPRODUCED OR COPIED OR USED IN WHOLE OR IN PART AS THE BASIS FOR THE MANUFACTURE OR SALE OF ITEMS WITHOUT WRITTEN PERMISSION. THIS IS AN UNPUBLISHED WORK PROTECTED UNDER THE FEDERAL COPYRIGHT LAWS."

THIS DRAWING AND SPECIFICATIONS HEREBY ARE THE PROPERTY OF DIGITAL EQUIPMENT CORPORATION AND SHALL NOT BE REPRODUCED OR COPIED IN ANY MANNER OR IN PART AS THE BASIS FOR THE MANUFACTURE OR SALE OF ITEMS WITHOUT WRITTEN PERMISSION. COPYRIGHT © 1982 DIGITAL EQUIPMENT CORPORATION.



REVISION HISTORY	
DATE	ECO NUMBER
	INITIALS #
	5415172-MLOO2 B
	27 JAN 83
	A. ALLEN
	19 FEB 83

DATE	DATE	TITLE
7-MAY-82		MEMBRANE ASSY, SW. ARRAY LK201 KEYBD.
20 MAY 82		
20 MAY 82		
20 MAY 82		
20 MAY 82		
20 MAY 82		
3-DD-5415172-0		

DRAWING NO.	NO. OF SHTS.	PART NO.	DESCRIPTION	REVISIONS																									
				A	B	C	D	E	F	G	H	I	J	K	L	M	N	O	P	Q	R	S	T	U	V	W	X	Y	Z
		5415172-00	MEMBRANE ASSY SWITCH ARRAY LK201 KEYBOARD	A	B	C	D	E	F																				
E-IA-5415172-0-DBU	1		MEMBRANE ASSY SWITCH ARRAY LK201 KEYBOARD	A	B	C	D	E	F																				
K-PE-5415172-0-DBP	1		MEMBRANE ASSY SWITCH ARRAY LK201 KEYBOARD	A	B	C	D	E	F																				
D-CS-5415172-0-1	1		MEMBRANE ASSY SWITCH ARRAY LK201 KEYBOARD	A	A	B	B	B	B																				
K-PC-5415172-0-DBG	-		PC DESIGN DATA BASE	C	D	E	E	E	E																				
		5015171-00	FLEXCIRCUIT SWITCH ARRAY	C	D	E	F	F	F																				
E-MD-5015171-0-DBU	2		FLEXCIRCUIT SWITCH ARRAY LK201 KEYBOARD	B	C	C	D	D	D																				
E-MD-5015171-0-0	1		FLEXCIRCUIT SWITCH ARRAY LK201	B	C	D	D	D	D																				
E-IC-5415172-0-DBU	2		SPACER SWITCH ARRAY	A	B	P																							

NOTES:

REVISIONS		DATE	CHG NO.	REV.
	INITIAL	6/5/82		A
	MLOO1	07/82		B
	MLOO2	2/8/83		C
	MLOO3	2-9-84		D
	MLOO4	1-4 NOV 84		E
	MLOO5	1/85		F

THIS DRAWING AND SPECIFICATIONS, HEREIN, ARE THE PROPERTY OF DIGITAL EQUIPMENT CORPORATION AND SHALL NOT BE REPRODUCED OR COPIED OR USED IN WHOLE OR IN PART AS THE BASIS FOR THE MANUFACTURE OR SALE OF ITEMS WITHOUT WRITTEN PERMISSION.
COPYRIGHT© 1982 DIGITAL EQUIPMENT CORPORATION



USED ON OPTION/MODEL
LK201-A
LK201-AA

DRN. C. Larsen	3JUN82
CHK'D C. Larsen	21JUN82
ENG. R. Gettys	14JUN82
PRGD. L. Quarles	21JUN82

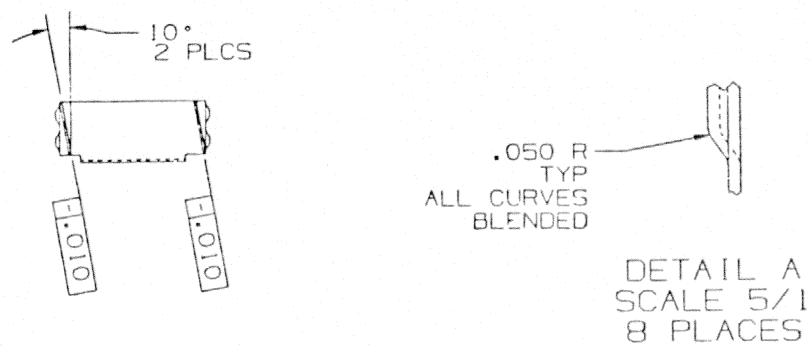
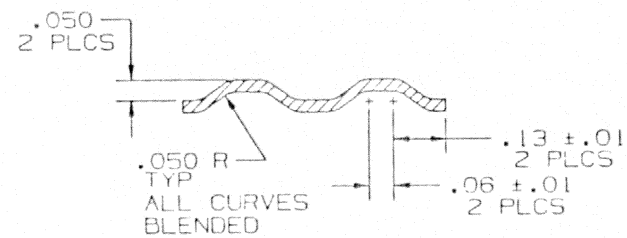
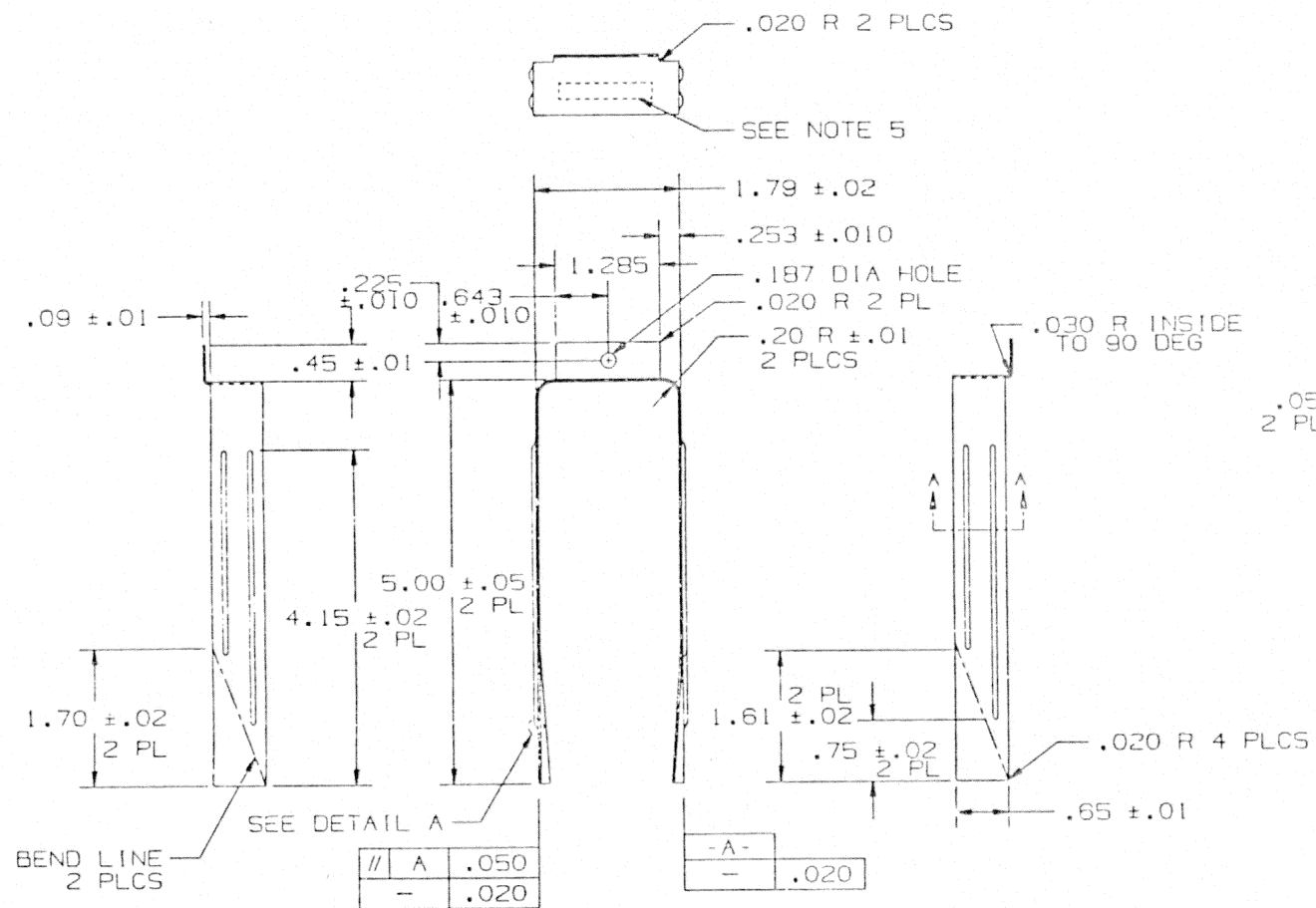
TITLE		MEMBRANE ASSY SWITCH ARRAY LK201 KEYBOARD	
SIZE	CODE	NUMBER	REV.
B	DD	5415172-0	F
SHEET 1 OF 1			

THIS DRAWING AND SPECIFICATIONS, HEREIN, ARE THE PROPERTY OF DIGITAL EQUIPMENT CORPORATION AND SHALL NOT BE REPRODUCED OR COPIED OR USED IN WHOLE OR IN PART AS THE BASIS FOR THE MANUFACTURE OR SALE OF ITEMS WITHOUT WRITTEN PERMISSION.
 COPYRIGHT © 1982 DIGITAL EQUIPMENT CORPORATION

LEGEND		
PART NO.	REV	VARIATION
7427314-01		AS SHOWN

NOTES:

1. MATERIAL IS TO BE AISI 301 STAINLESS STEEL, 1/2 HARD. A CERTIFICATE OF COMPLIANCE IS REQUIRED WITH EACH LOT FROM VENDOR.
2. MATERIAL THICKNESS IS $.030 \pm .003$
3. FINISHED PART SHOULD BE FREE OF BURRS, SHARP EDGES, AND GREASE.
4. UNLESS OTHERWISE SPECIFIED: DIMENSIONS ARE $\pm .005$ ANGLES ARE $\pm .5^\circ$
5. PART SHALL BE STAMPED WITH PART NUMBER IN $.125$ HIGH CHARACTERS AT THE LOCATION INDICATED.



DESCRIPTION	DRAWING NO.	PART NO.	ITEM NO.
UNLESS OTHERWISE SPECIFIED DIMENSIONS ARE IN INCHES AND THE FOLLOWING TOLERANCES APPLY (PER DEC STD 114)			
INCHES TOLERANCES	DIMENSION RANGE IN INCHES		
	OVER .012 TO 0.2	OVER 0.2 TO 1.0	OVER 1.0 TO 12.0
ANGLES 10°-30°	APPLICABLE DIMENSION RANGE	OVER 12.0 TO 40.0	OVER 40.0 TO 50.0
SURFACE QUALITY	FINISH	FINISH	FINISH
QUANTITY & VARIATION	QUANTITY	VARIATION	VARIATION
THIRD ANGLE PROJECTION	DRN	DATE	TITLE
DO NOT SCALE DRAWING	JEFF LEWIS	11-5-82	TOOL, KEYCAP REMOVAL
REMOVE BURRS AND BREAK SHARP CORNERS	C. LARSEN	11-5-82	
MATERIAL	DES. ENO.	DATE	DOCUMENT NUMBER
SEE NOTE 1	JEFF LEWIS	11-5-82	DMD 7427314-0-DBU A
FINISH	RESP. ENO.	DATE	SCALE
SEE NOTE 3	JIM FAY	11-5-82	1/1 SHEET 1 OF 1
	TOP DOC.		
	B-TC-LK201-A-1		

REV	NO.	INITIALS	DATE
5			
4			
3			
2			
1			

DIGITAL EQUIPMENT CORPORATION
MAYNARD MASSACHUSETTS

PACKAGING INSTRUCTION

TITLE PKG. PKG KEYBOARD LK201-A

REV E DATE 11/20/87

LEGEND

VARIATION PART	REV	PACKAGE TYPE	REMARKS
37-00698-01	C1	CUSTOMER	LK201 KEYBOARD
37-00698-02	D1	PALLETTIZED/30 PAK (STRAPWRAP)	LK201 (37-00698-01) LK250 (37-00698-01) RFLK201-AA (37-00698-03) LK207 (37-00698-07)
37-00698-03	C1	CUSTOMER	RFLK201-AA
37-00698-04	D1	PALLETTIZED/30 PAK (STRAPPING) REPLACEMENT PAK	LK201 (37-00698-01) LK250 (37-00698-01) RFLK201-AA (37-00698-03) LK207 (37-00698-07)
37-00698-05	D1	INTERPLATE/10 PAK	30-LK201-AA SERIES
37-00698-06	A1	PALLETTIZED/30 PCK	30-LK201-MX (37-00698-05)
37-00698-07	D1	CUSTOMER	LK207 SERIES
37-00698-08	D1	CUSTOMER	LK201 SERIES (EUROPEAN)
37-00698-09	A1	PALLETTIZED	37-00698-08 (SHRINKWRAP)

ENG. *John Bilik* APPRO. *John Bilik* SIZE A CODE NUMBER 3700698-0-0 REV E SHEET 1 OF 11

PACKAGING INSTRUCTION CONTINUATION SHEET

TITLE

PKG PKG KEYBOARD LK201-A

PARTS LIST 3700698-01 THRU 37-00698-04

REFER TO OFF-SHEET PARTS LIST K-PL-3700698-O-DSP, REV D

PACKAGING ASSEMBLIES 37-00698-01 THRU 37-00698-09

REFER TO FIGURES 1 THROUGH 3 FOR PICTORIAL PROCEDURE

PACKAGING ASSEMBLIES (37-00698-01 AND 37-00698-03)

FIGURE 1

STEP PROCEDURE

- SET UP DIE CUT CARTON (99-07139-01 (ITEM #2)).
- FIX THERMOFORMED TRAY (99-07137-02 (ITEM #3)) OVER THE KEYBOARD.
- ATTACH ONE WHITE POLYSTYRENE END CAP ON EACH END OF THE KEYBOARD.
- PLACE KEYBOARD WITH END CAPS AND TRAY INTO DIE CUT CARTON.
- PLACE FEET (74-27577-01), F CLOSED IN POLY BAG, AND SPECIFIC COUNTRY POWER CON INTO THE DIE CUT CARTON (99-07139-01 (ITEM #2)).
- APPLY TWO (2) BAR CODE LABELS (36-28231-01 (ITEM #6)) WITH MATCHING POWER CORD VARIATIONS ONTO CARTON--ONE ON END PANEL AND ONE ON SIDE PANEL.
- PLACE PACKAGED KEYBOARD ON CONVIOR SO THAT IT TRAVELS TO THE CARTON SEALER, WHICH WILL APPLY 31 INCHES OF CLEAR PRESSURE SENSITIVE TAPE (99-06487-02 (ITEM #5)).
- FOR VARIATION -03 ONLY:
APPLY THREE (3) RFLK201-AA LABELS (36-23790-01 (ITEM #11)) ONTO THE CARTON, COMPLETELY COVERING THE DIGITAL LOGOS PER FIGURE 1.
- FOR FIELD SERVICE RETROFITS AND MANUAL OPERATIONS:
THE REGULAR SLOTTED CARTON (99-07008-01 (ITEM #12)) MAY BE USED IN PLACE OF THE DIE CUT CARTON.

SIZE CODE NUMBER REV
A PA 3700698-0-0 E

SHEET 2 OF 11

PACKAGING INSTRUCTION CONTINUATION SHEET

TITLE

PKG PKG KEYBOARD LK201-A

PACKAGING ASSEMBLY (37-00698-02 & -04)

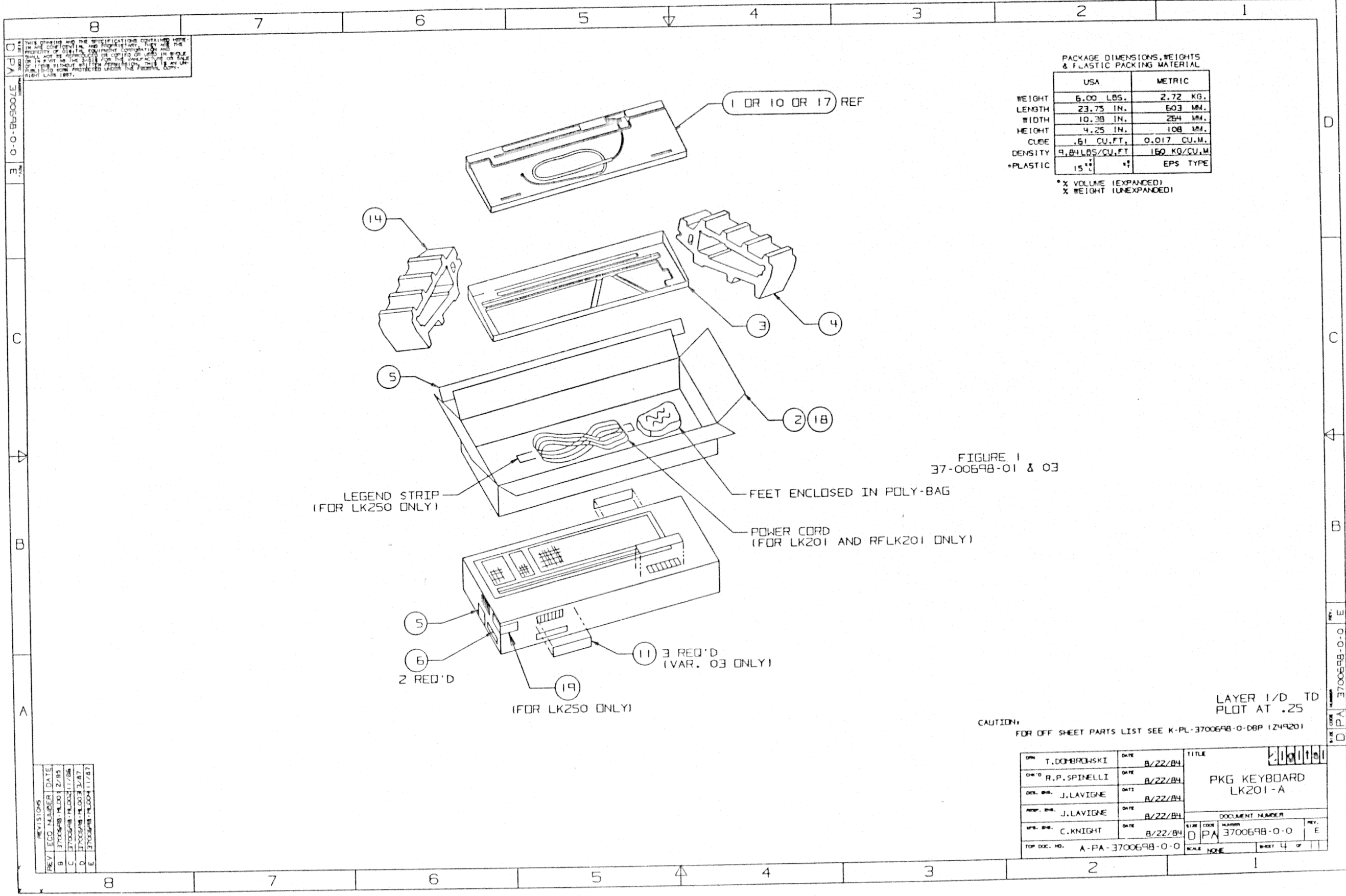
FIGURES 2 & 3

STEP PROCEDURE

- PLACE EIGHTY (80) PACKAGED KEYBOARDS (37-00698-01 (ITEM #7) OR 37-00698-03 (ITEM #13)) ONTO THE SHIPPING PALLET (99-06199-13 (ITEM #8)). ARRANGEMENT TO BE EIGHT (8) CARTONS PER TIER (2 X 4) WITH TEN (10) TIERS HIGH.
- WHEN STACKING THE KEYBOARDS ONTO THE PALLET, MAKE SURE THAT THE BAR CODE LABEL/S IS ALWAYS VISIBLE.
- VARIATION -02 ONLY--
BEFORE STRETCH WRAPPING (99-06553-00 (ITEM #9)) THE KEYBOARDS TO THE PALLET, PLACE OR TAPE A VERTICAL ANGLEBOARD (99-06105-23 (ITEM #21)) TO EACH CORNER.
NOTE: START AND FINISH THE STRETCH WRAPPING WITH FOUR (4) WRAPS ALONG THE BOTTOM OF THE PALLET LOAD -- EIGHT (8) WRAPS TOTAL.
- VARIATION -04 ONLY--
BEFORE STRAPPING (99-05734-02 (ITEM #16)) THE KEYBOARDS TO THE PALLET, PLACE OR TAPE FOUR (4) VERTICAL ANGLEBOARDS (ITEM #21) AND FOUR (4) HORIZONTAL ANGLEBOARDS (ITEM #15) PER FIGURE 3.

SIZE CODE NUMBER REV
A PA 3700698-0-0 E

SHEET 3 OF 11



PACKAGE DIMENSIONS, WEIGHTS & PLASTIC PACKING MATERIAL

	USA	METRIC
WEIGHT	6.00 LBS.	2.72 KG.
LENGTH	23.75 IN.	603 MM.
WIDTH	10.38 IN.	264 MM.
HEIGHT	4.25 IN.	108 MM.
CUDE	.61 CU.FT.	0.017 CU.M.
DENSITY	9.84 LBS./CU.FT.	160 KG./CU.M.
*PLASTIC	15**	** EPS TYPE

*% VOLUME (EXPANDED)
 **% WEIGHT (UNEXPANDED)

FIGURE 1
 37-00698-01 & 03

CAUTION:
 FOR OFF SHEET PARTS LIST SEE K-PL-3700698-0-D6P (2420)

REVISIONS

REV.	ECO. NUMBER	DATE
B	3700698-14.001	2/85
C	3700698-14.002	11/86
D	3700698-14.003	3/87
E	3700698-14.004	11/87

DRW.	DATE	TITLE
T. DOMBROSKI	8/22/84	PKG KEYBOARD LK201-A
R.P. SPINELLI	8/22/84	
J. LAVIGNE	8/22/84	
J. LAVIGNE	8/22/84	
C. KNIGHT	8/22/84	
TOP DOC. NO. A-PA-3700698-0-0		SCALE NONE

THIS DRAWING AND THE SPECIFICATIONS CONTAINED HEREIN ARE THE PROPERTY OF DIGITAL EQUIPMENT CORPORATION. THIS DRAWING IS NOT TO BE REPRODUCED OR COPIED OR USED IN ANY MANNER WITHOUT THE WRITTEN PERMISSION OF DIGITAL EQUIPMENT CORPORATION. THIS DRAWING IS UNCLASSIFIED AND IS NOT PROTECTED UNDER THE FEDERAL COPYRIGHT LAW (1977).

3700698-0-0
 E
 C
 B
 A

D
 C
 B
 E
 3700698-0-0
 D
 PA

THIS DRAWING AND THE SPECIFICATIONS CONTAINED HEREIN ARE CONFIDENTIAL AND PROPRIETARY. THEY ARE THE PROPERTY OF DIGITAL EQUIPMENT CORPORATION AND SHALL NOT BE REPRODUCED OR COPIED OR USED IN WHOLE OR IN PART AS THE BASIS FOR THE MANUFACTURE OR SALE OF ITEMS WITHOUT WRITTEN PERMISSION. THIS IS AN UNPUBLISHED WORK PROTECTED UNDER THE FEDERAL COPYRIGHT LAWS.

PACKAGE DIMENSIONS, WEIGHTS & PLASTIC PACKING MATERIAL

	USA	METRIC
WEIGHT	530 LBS.	240 KG.
LENGTH	48.00 IN.	1219 MM.
WIDTH	42.00 IN.	1067 MM.
HEIGHT	47.50 IN.	1207 MM.
CUBE	55.40 CU.FT.	1.57 CU.M.
DENSITY	9.57 LBS/CU.FT	153 KG/CU.M
•PLASTIC	% L	% TYPE

*% VOLUME (EXPANDED)
% WEIGHT (UNEXPANDED)

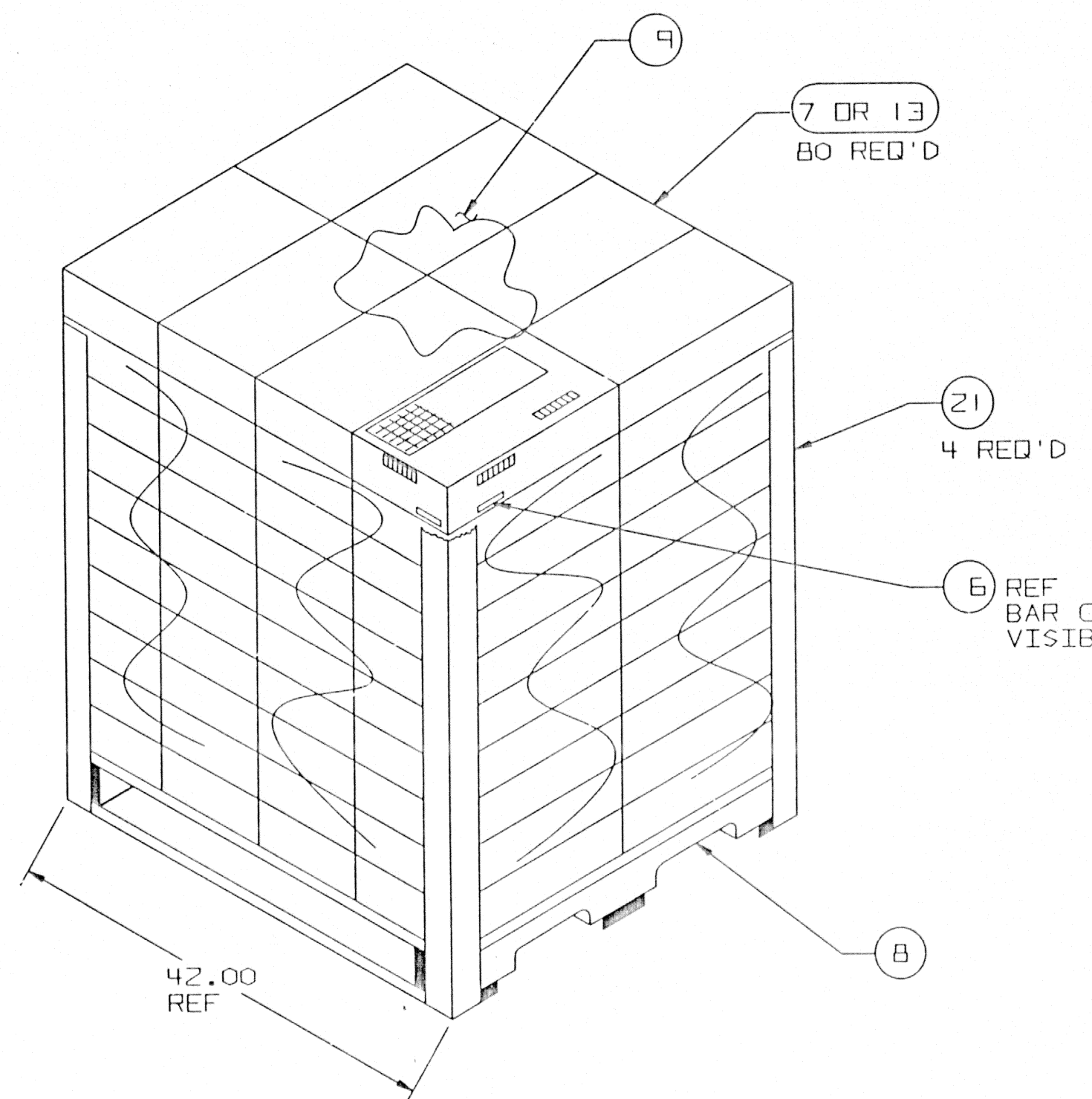
8 CARTONS / TIER
10 TIERS HIGH
80 CARTONS / PALLET

SIZE CODE NUMBER
C PA 3700698-0-0
REV. E

REV. E
B

REV. E
A

REV. NO.	DATE



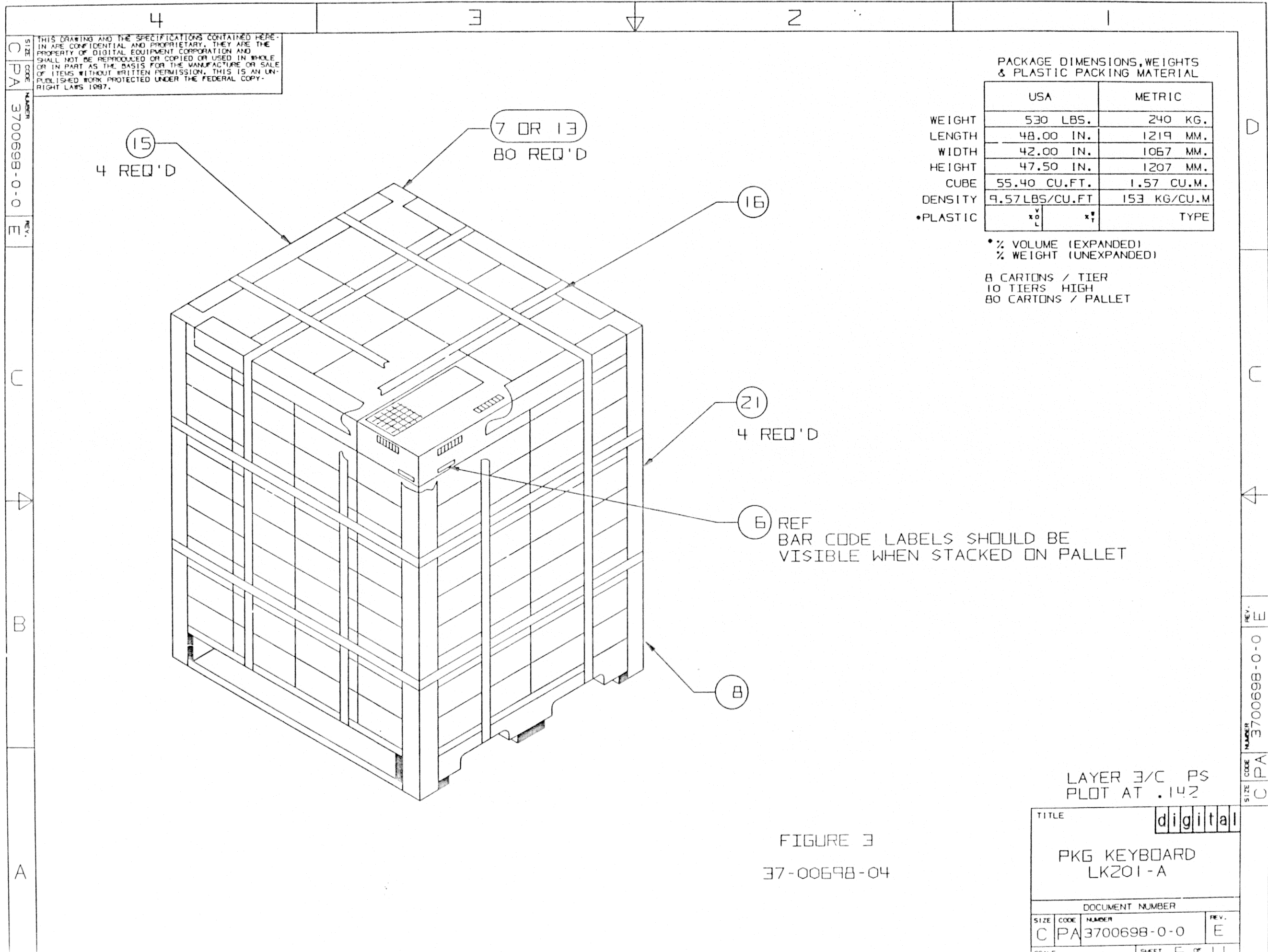
STRETCH WRAP DETAIL

FIGURE 2
37-00698-02

LAYER 2/C TO
PLOT AT .143

TITLE		digital	
PKG KEYBOARD		LK201-A	
DOCUMENT NUMBER			
SIZE	CODE	NUMBER	REV.
C	PA	3700698-0-0	E

REV. E
3700698-0-0
C PA



THIS DRAWING AND THE SPECIFICATIONS CONTAINED HEREIN ARE CONFIDENTIAL AND PROPRIETARY. THEY ARE THE PROPERTY OF DIGITAL EQUIPMENT CORPORATION AND SHALL NOT BE REPRODUCED OR COPIED OR USED IN WHOLE OR IN PART AS THE BASIS FOR THE MANUFACTURE OR SALE OF ITEMS WITHOUT WRITTEN PERMISSION. THIS IS AN UNPUBLISHED WORK PROTECTED UNDER THE FEDERAL COPYRIGHT LAWS 1987.

PACKAGE DIMENSIONS, WEIGHTS & PLASTIC PACKING MATERIAL

	USA	METRIC
WEIGHT	530 LBS.	240 KG.
LENGTH	48.00 IN.	1219 MM.
WIDTH	42.00 IN.	1067 MM.
HEIGHT	47.50 IN.	1207 MM.
CUBE	55.40 CU.FT.	1.57 CU.M.
DENSITY	9.57 LBS/CU.FT.	153 KG/CU.M.
•PLASTIC	* $\frac{1}{2}$	* $\frac{1}{4}$ TYPE

*% VOLUME (EXPANDED)
 % WEIGHT (UNEXPANDED)

8 CARTONS / TIER
 10 TIERS HIGH
 80 CARTONS / PALLET

6 REF BAR CODE LABELS SHOULD BE VISIBLE WHEN STACKED ON PALLET

FIGURE 3
 37-00698-04

LAYER 3/C PS
 PLOT AT .142

TITLE **digital**
 PKG KEYBOARD
 LK201-A

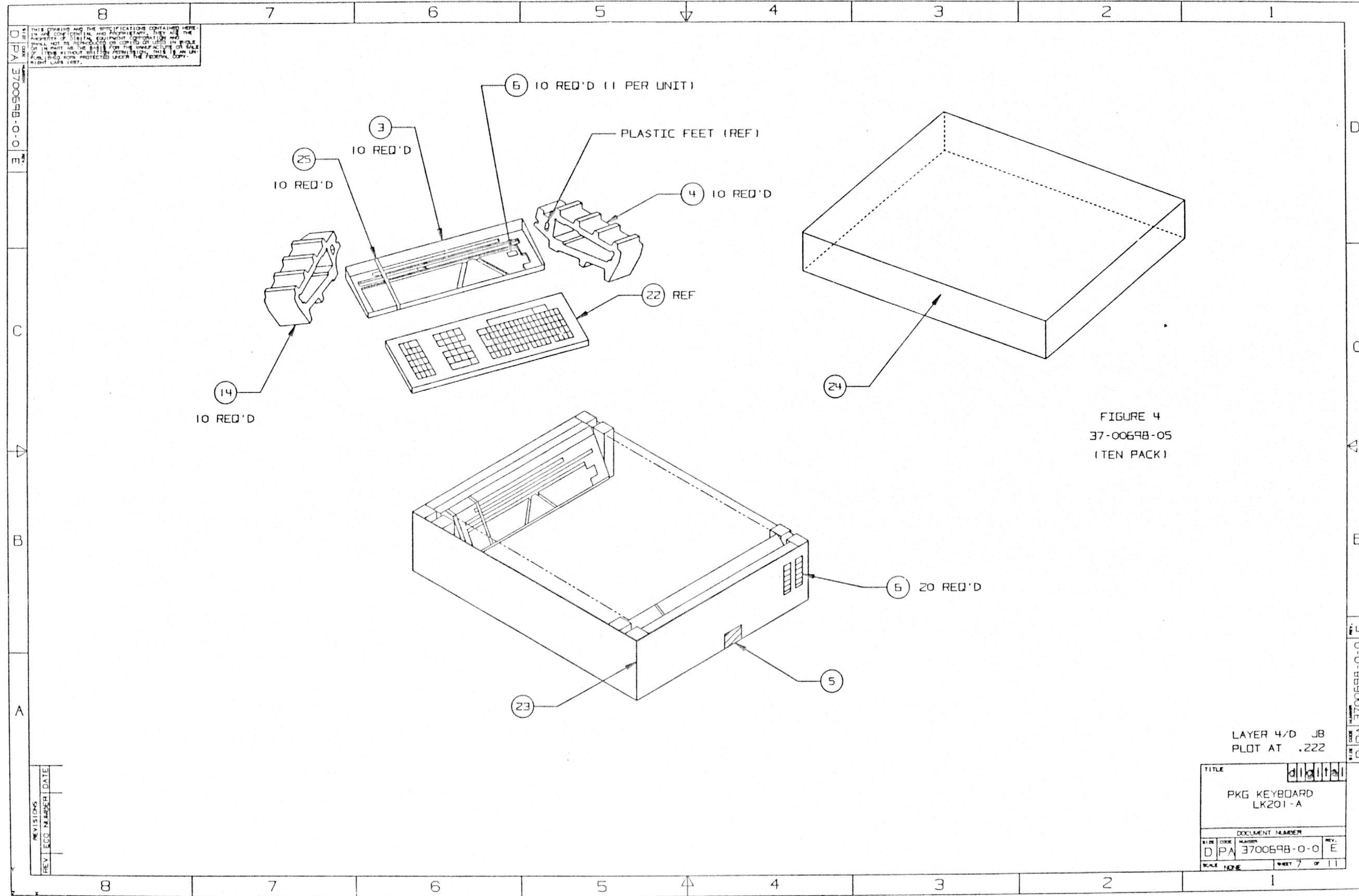
DOCUMENT NUMBER

SIZE	CODE	NUMBER	REV.
C	PA	3700698-0-0	E

SCALE NONE SHEET 5 OF 11

SIZE CODE NUMBER
 C PA 3700698-0-0
 REV. E
 B
 A

REV. E
 3700698-0-0
 C PA



THIS DRAWING AND THE SPECIFICATIONS CONTAINED HEREIN ARE CONFIDENTIAL AND PROPRIETARY. THEY ARE THE PROPERTY OF DIGITAL EQUIPMENT CORPORATION AND SHALL NOT BE REPRODUCED OR COPIED OR USED IN WHOLE OR IN PART OR FOR THE BASIS FOR THE MANUFACTURE OR SALE OF ANY ITEMS WITHOUT WRITTEN PERMISSION. THIS IS AN UNCLASSIFIED COPY PROTECTED UNDER THE FEDERAL COPYRIGHT LAWS, 1977.

FIGURE 4
37-00698-05
(TEN PACK)

LAYER 4/D JB
PLOT AT .222

TITLE		digital	
PKG KEYBOARD LK201-A			
DOCUMENT NUMBER			
SIZE	CODE	REVISION	REV.
D	PA	3700698-0-0	E
SCALE	DATE	SHEET 7 OF 11	

REVISIONS	DATE
REV	ECO NUMBER

4 3 2 1

THIS DRAWING AND THE SPECIFICATIONS CONTAINED HEREIN ARE CONFIDENTIAL AND PROPRIETARY. THEY ARE THE PROPERTY OF DIGITAL EQUIPMENT CORPORATION AND SHALL NOT BE REPRODUCED OR COPIED OR USED IN WHOLE OR IN PART AS THE BASIS FOR THE MANUFACTURE OR SALE OF ITEMS WITHOUT WRITTEN PERMISSION. THIS IS AN UNPUBLISHED WORK PROTECTED UNDER THE FEDERAL COPYRIGHT LAWS 1987.

SIZE CODE NUMBER
C PA 3700698-0-0

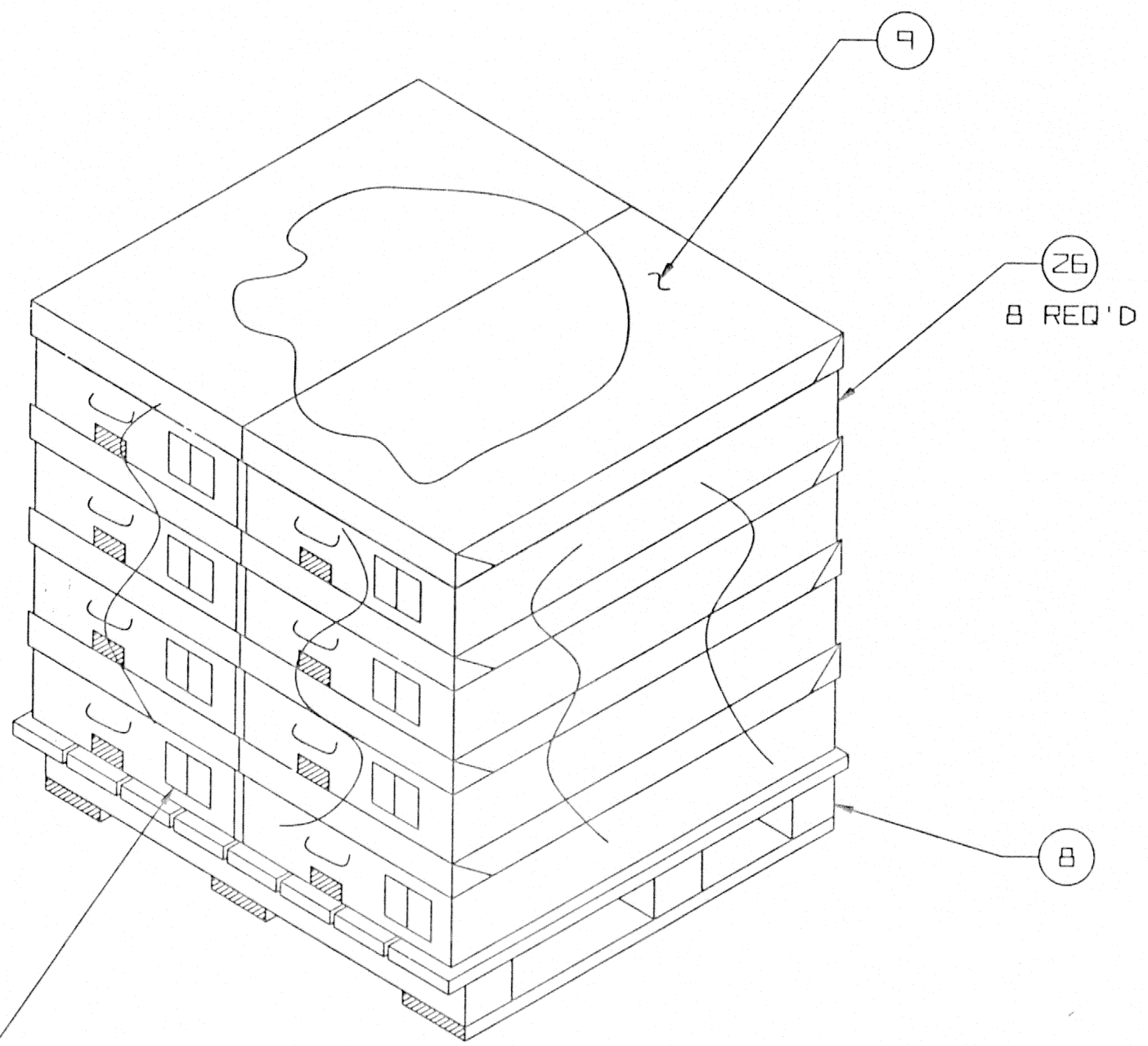
REV.
E

U

Δ

B

A



STRETCH WRAP DETAIL

FIGURE 5
50-84900-7E

BAR CODE LABELS REF
(POSITION ALL LABELS ON SAME
SIDE OF PALLET)

TITLE			digital		
PKG KEYBOARD LK201-A					
DOCUMENT NUMBER					
SIZE	CODE	NUMBER	REV.		
C	PA	3700698-0-0	E		

REV. E
C PA 3700698-0-0

4 3 2 1

THIS DRAWING AND THE SPECIFICATIONS CONTAINED HEREIN ARE CONFIDENTIAL AND PROPRIETARY. THEY ARE THE PROPERTY OF DIGITAL EQUIPMENT CORPORATION AND SHALL NOT BE REPRODUCED OR COPIED OR USED IN WHOLE OR IN PART AS THE BASIS FOR THE MANUFACTURE OR SALE OF ITEMS WITHOUT WRITTEN PERMISSION. THIS IS AN UNPUBLISHED WORK PROTECTED UNDER THE FEDERAL COPYRIGHT LAWS 1987.

SIZE CODE NUMBER
C PA 3700698-0-0

REV.
E

U

Δ

B

A

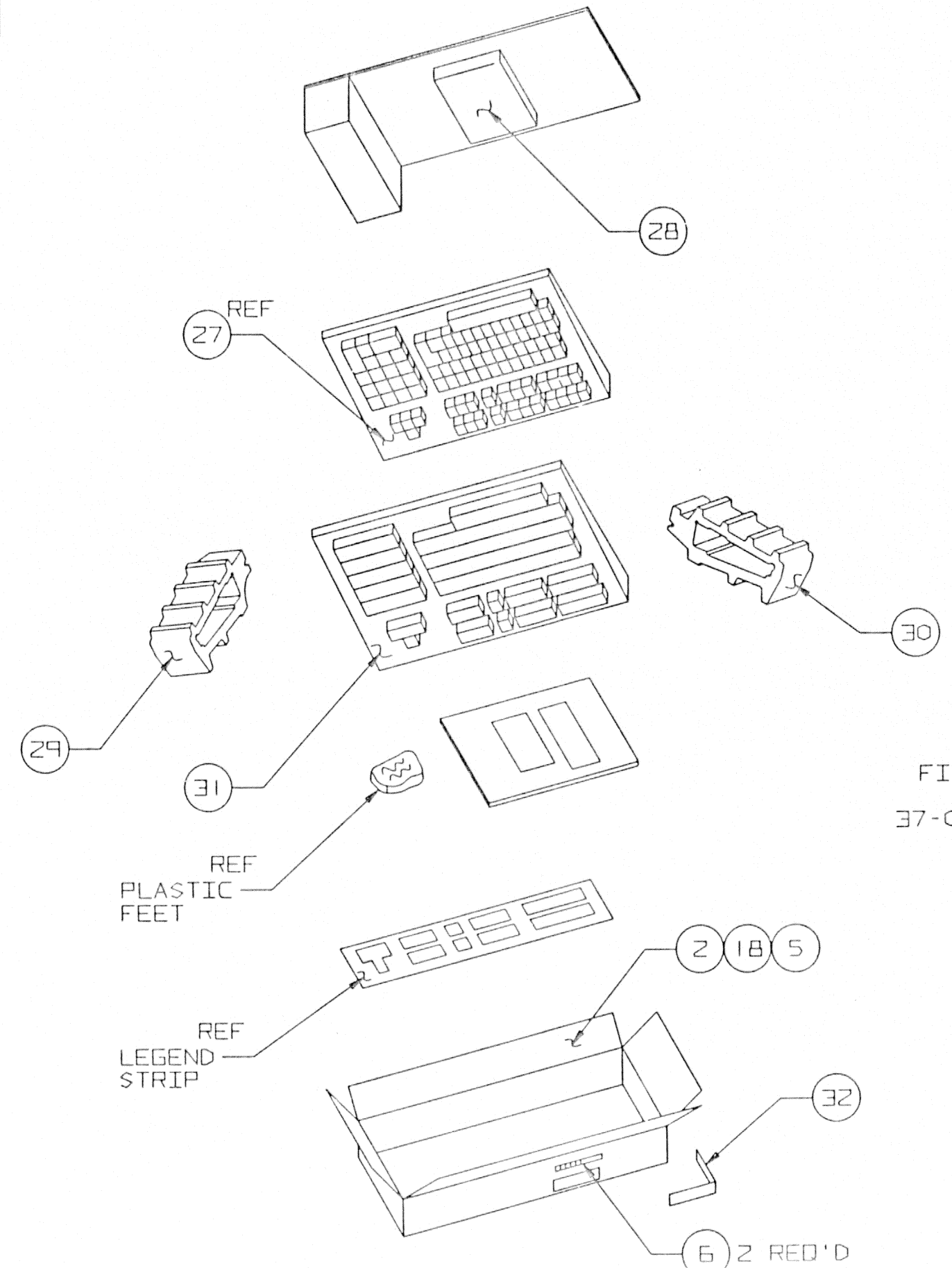


FIGURE 6
37-00698-07

LAYER 6/C JB
PLOT AT .143

TITLE			digital
PKG KEYBOARD LK201-A			
DOCUMENT NUMBER			
SIZE	CODE	NUMBER	REV.
C	PA	3700698-0-0	E
SCALE		SHEET <input type="checkbox"/> OF <input type="checkbox"/>	

REV.
E
SIZE CODE NUMBER
C PA 3700698-0-0

THIS DRAWING AND THE SPECIFICATIONS CONTAINED HEREIN ARE CONFIDENTIAL AND PROPRIETARY. THEY ARE THE PROPERTY OF DIGITAL EQUIPMENT CORPORATION AND SHALL NOT BE REPRODUCED OR COPIED OR USED IN WHOLE OR IN PART AS THE BASIS FOR THE MANUFACTURE OR SALE OF ITEMS WITHOUT WRITTEN PERMISSION. THIS IS AN UNPUBLISHED WORK PROTECTED UNDER THE FEDERAL COPYRIGHT LAWS 1987.

SIZE CODE NUMBER
C PA 3700698-0-0

REV.
E

U

B

A

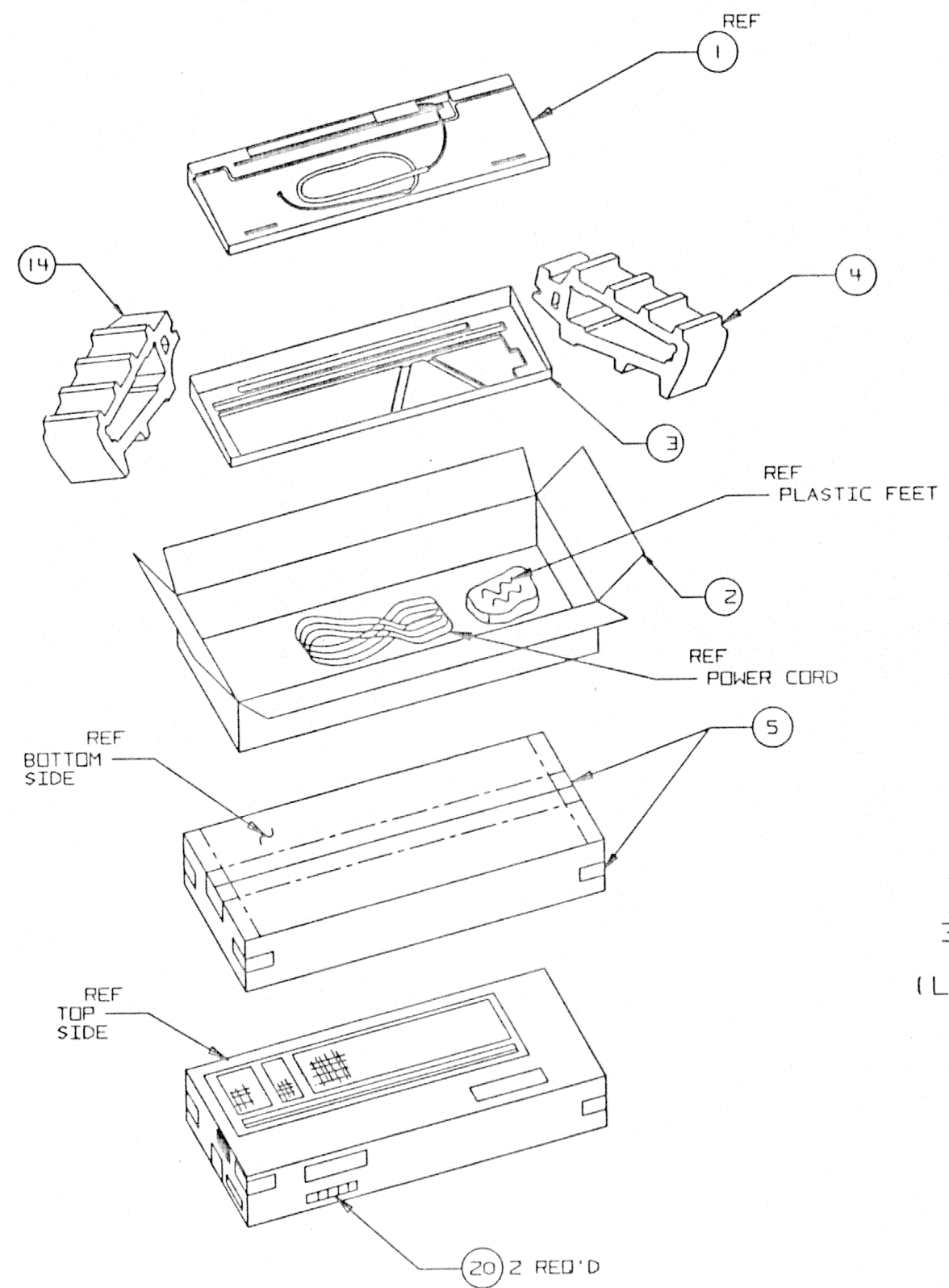


FIGURE 7
37-00698-CB
(LK201 SERIES)
(EUROPEAN)

LAYER 7/C JB
PLOT AT .166

TITLE			digital
PKG KEYBOARD			
LK201-A			
DOCUMENT NUMBER			
SIZE	CODE	NUMBER	REV.
C	PA	3700698-0-0	E

REV. E
C PA 3700698-0-0

4 E 2 1

THIS DRAWING AND THE SPECIFICATIONS CONTAINED HEREIN ARE CONFIDENTIAL AND PROPRIETARY. THEY ARE THE PROPERTY OF DIGITAL EQUIPMENT CORPORATION AND SHALL NOT BE REPRODUCED OR COPIED OR USED IN WHOLE OR IN PART AS THE BASIS FOR THE MANUFACTURE OR SALE OF ITEMS WITHOUT WRITTEN PERMISSION. THIS IS AN UNPUBLISHED WORK PROTECTED UNDER THE FEDERAL COPYRIGHT LAWS 1987.

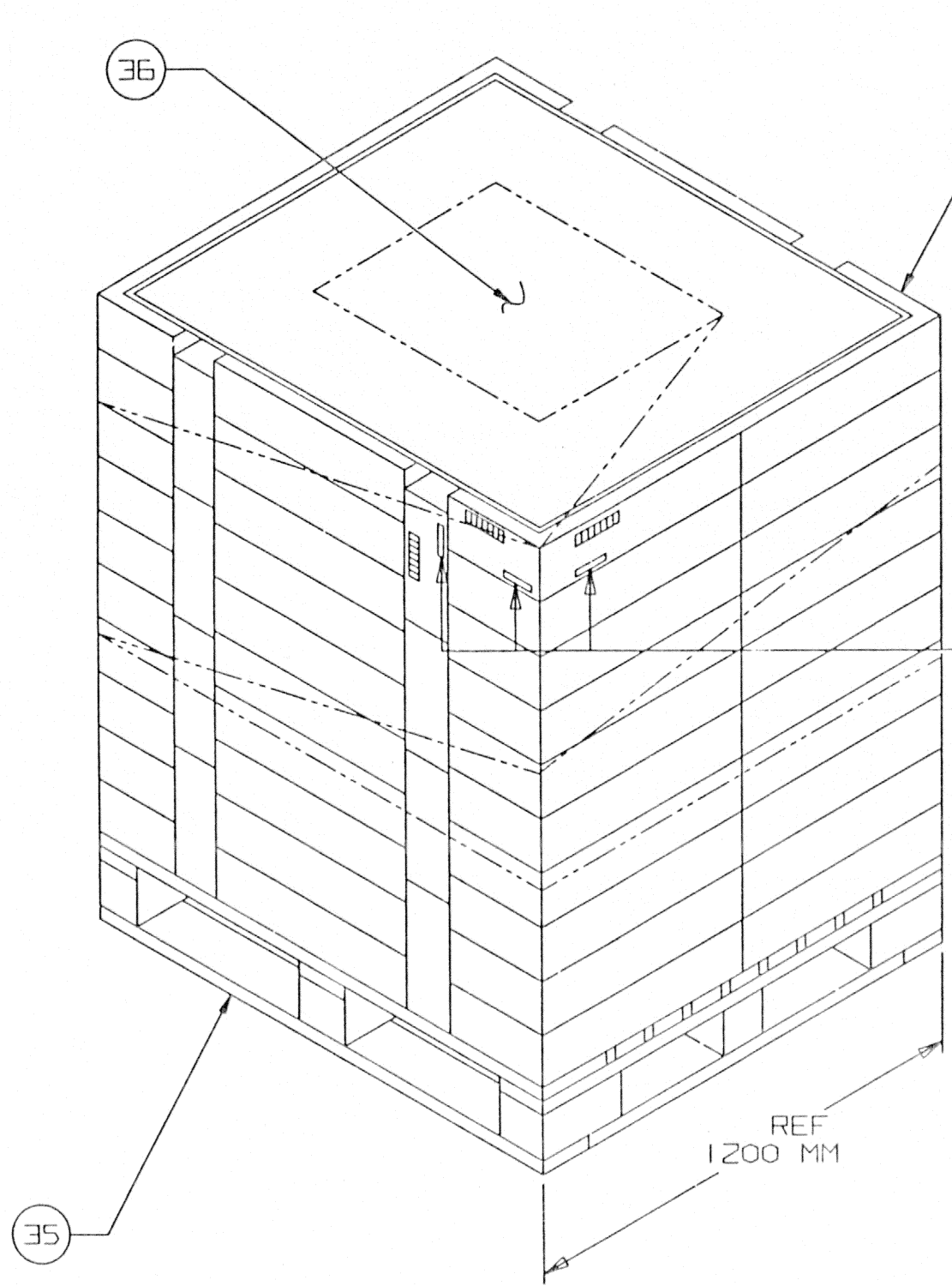
SIZE CODE NUMBER
C PA 3700698-0-0

REV.
E

U

B

A



76 REQ'D

NOTE: ASSEMBLY TO BE UNIFIED WITH HEAT SHRINK FILM.

20 REF
MAKE SURE BAR CODE LABELS ARE VISIBLE, WHEN STACKED.

REF
1200 MM

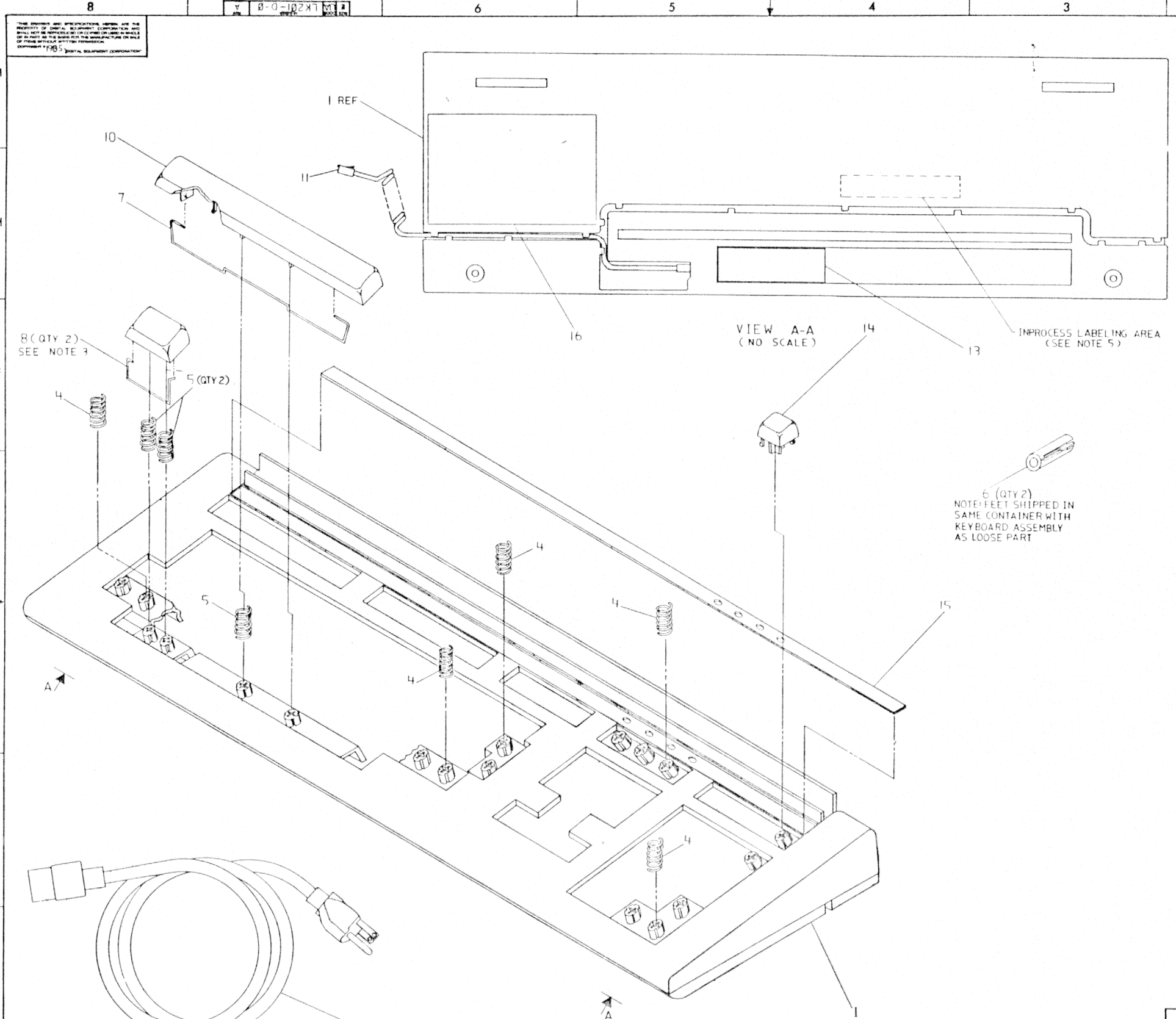
FIGURE 8
37-00698-09
(76 PAK/EUROPEAN)

LAYER B/C JB
PLOT AT .143

TITLE		digital	
PKG KEYBOARD LK201-A			
DOCUMENT NUMBER			

SIZE	CODE	NUMBER	REV.
C	PA	3700698-0-0	E

REV. E
SIZE CODE NUMBER C PA 3700698-0-0



- NOTES:
1. KEYCAPS ARRANGED ACCORDING TO ARRANGEMENT DRAWING D-AR-7019005-0-DBU OR D-AD-7021081-0-DBU.
 2. DELETED
 3. ITEM B IS USED ON SWITCHES A20 A21 & A99 (THE TWO DOUBLE KEYS IN FIRST ROW) ON ARRANGEMENT DRAWING D-AR-7019005-0-DBU.
 4. APPLY THIN FILM OF LUBRICANT (ITEM 3) ON PLUNGER AREA OF 5 KEYS PRIOR TO ADDING THEM TO THE KEYBOARD. KEYS IDENTIFIED BY LOCATIONS B99, B11, A23, C13 AND G16 ON KEYCAP ARRANGEMENT DRAWING D-AR-7019005-0-DBU LUBRICANT MUST BE KEPT OFF VISIBLE (TEXTURED) SURFACES OF KEYS.
 5. REMOVE LABEL (3622883-01) FROM 5415172 ON 7019004 AND APPLY WITHIN INPROCESS LABELING AREA.

REVISION HISTORY
 NO. DATE BY
 1 11/20/84 J. KUSHIGAN
 2 12/10/84 J. KUSHIGAN
 3 1/21/85 J. KUSHIGAN
 4 7/27/85 J. KUSHIGAN
 5 7/27/85 D. WILLIAMS
 6 7/27/85 D. WILLIAMS
 7 7/27/85 E. HERRING
 8 7/27/85 E. HERRING

CAUTION:
 OFF SHEET PARTS LIST EXISTS.
 SEE K-PL-LK201-D-DBP, (2982*)

DESCRIPTION	DRAWING NO.	PART NO.	REV.
LINKERS OTHERWISE SPECIFIED DIMENSIONS ARE IN INCHES AND THE FOLLOWING TOLERANCES APPLY (PER DEC STD 114)			
DIMENSION RANGE IN INCHES	OVER	UNDER	OVER
	TO	TO	TO
APPLICABLE DIMENSION	0.000	0.000	0.000
ANGLES	± 0.1	± 0.1	± 0.1
SURFACE QUALITY	SEE SPEC.	SEE SPEC.	SEE SPEC.
QUANTITY & VARIATION	1.000	1.000	1.000
THIRD ANGLE PROJECTION	J. KUSHIGAN 27 JUN 85 J. KUSHIGAN 27 JUN 85 D. WILLIAMS 1 JUL 85 D. WILLIAMS 1 JUL 85 E. HERRING 2 JUL 85 KDD-LK201-Q-DBP		
DO NOT SCALE DRAWING	TITLE		
REMOVE BURRS AND BREAK SHARP CORNERS	LK201-D KEYBOARD		
SEE PARTS LIST	DOCUMENT NUMBER		
FINISH	EUA LK201-D-0 A		
	PAGE 1 OF 1 ML3		

LINE ITEM	TOP DOCUMENT	PART NUMBER	MIN REV	DESCRIPTION	D	DA B1	QUANTITY PER VARIATION/REVISION
1	E-AD-7018416-0-0	70-18416-00		KEYBOARD ASSY	1	1	
2		37-00898-01		PKG KEYBOARD LK201 CUSTOMER	1	1	
3	#SEE NOTE	49-01589-01		LUBRICANT,SILICONE	A/R	A/R	
4		12-20374-01		SPRING,COMPRESSION .4200DX .250	5	5	
5		12-20374-02		SPRING,COMPRESSION HIGH FORCE	3	3	
6	D-MD-7427577-0-DBU	74-27577-01		FOOT,KEYBOARD SLOPE,5 DEGREES	2	2	
7	C-MD-7427103-0-DBU	74-27103-01		EQUALIZER,SPACE BAR	1	1	
8	B-MD-7426989-0-DBU	74-26989-01		BAR,EQUALIZER,DOUBLE KEY	2	2	
9	E-MD-7426051-0-DBU	74-26051-00		*** THIS ITEM IS NOT USED ***	-	-	
10	D-MD-7428773-0-DBU	74-28773-01		SPACE BAR,LOW-PROFILE,ALT.	-	1	
11		17-00294-00		CABLE,ASSY,CT150 KEYBOARD	-	1	
12		17-00397-01		*** THIS ITEM IS NOT USED ***	-	-	
13		36-20312-01		LABEL,SERIAL/REGULATORY	-	1	
14	D-AD-7021081-0-DBU	70-21081-46		KEYCAP AMERICAN PROG VAX	-	1	
15	A-PS-3620219-0-0	36-20219-25		LABEL,KEYBOARD,VMS PROGRAMMER	-	1	
16	A-PS-3623798-0-0	36-23798-01		LABEL,CABLE CAUTION,LK201	-	1	

1 GEN: QUANTITY OF ITEM 3 IS .0002 GALS.
 2 GEN: VARIATION D FOR DOCUMENTATION REF ONLY.

REVISION HISTORY			KPL MATRIX FORMAT		SECTION A OF A	DRN: C.MCNEIL	D I G I T A L			
ENG	ECO NUMBER	REV	SECTION/VARIATION INDEX			DATE: 10-JUN-85				
JB	LK201-A-ML020	A	[A]	D,DA		CHK'D: J.KUSHIGAN	TITLE PARTS LIST			
DW	LK201-ML022	B	[B]			DATE: 10-JUN-85	LK201 KEYBOARD			
			[C]			DES.ENG: R.LIETERMANN				
			[D]			DATE: 10-JUN-85	DOCUMENT NUMBER			
			[E]				SIZE	CODE	NUMBER	REV
			[F]			RESP.ENG.: A.LEN	K	PL	LK201-D-DBP	B
			[H]			DATE: 10-JUN-85				
			[J]			MFG.ENG: L.QUARLES	RELEASE DATE: 30-DEC-85			
						DATE: 10-JUN-85	RELEASE STATUS: RELEASED			
			BASIC PART NUMBER:	ASSEMBLY NUMBER:	TOP DOCUMENT NUMBER:	FILE NAME:	EDIT #			
			LK201	E-UA-LK201-D-0	K-DD-LK201-0-DBF	Z9827B.PLS	6			

"THIS DRAWING AND THE SPECIFICATIONS CONTAINED HEREIN ARE CONFIDENTIAL AND PROPRIETARY. THEY ARE THE PROPERTY OF DIGITAL EQUIPMENT CORPORATION AND SHALL NOT BE REPRODUCED OR COPIED OR USED IN WHOLE OR IN PART AS THE BASIS FOR THE MANUFACTURE OR SALE OF ITEMS WITHOUT WRITTEN PERMISSION. THIS IS AN UNPUBLISHED WORK PROTECTED UNDER THE FEDERAL COPYRIGHT LAWS."