

LN03 Series

Maintenance Kit Guide

1st Edition, May 1986
2nd Edition, August 1986

Copyright © 1986 by Digital Equipment Corporation.
All Rights Reserved.

Printed in Japan.

The reproduction of this material, in part or whole, is strictly prohibited.
For copy information contact the Educational Services Department,
Digital Equipment Corporation, Maynard, Massachusetts 01754.

The information in this document is subject to change without notice.
Digital Equipment Corporation assumes no responsibility for any errors
that may appear in this document.

The following are trademarks of Digital Equipment Corporation, Maynard,
Massachusetts 01754.

digital ™	DECsystem-10	P/OS	UNIBUS
DEC	DECSYSTEM-20	Professional	VAX
DECdirect	DECwriter	Rainbow	VMS
DECmate	DIBOL	RSTS	VT
DECnet	PDP	RSX	Work Processor

CONTENTS

General	1
Performing Printer Maintenance	2
Replacing the OPC Cartridge	3
Replacing the Shield Glass	8
Replacing the Charge Corona Unit	10
Replacing the Transfer Corona Unit	12
Cleaning the Quenching Lamp	16
Cleaning the Separation Pawls	19
Replacing the Ozone Filter	24
General Maintenance	28

USING THE LN03 MAINTENANCE KIT

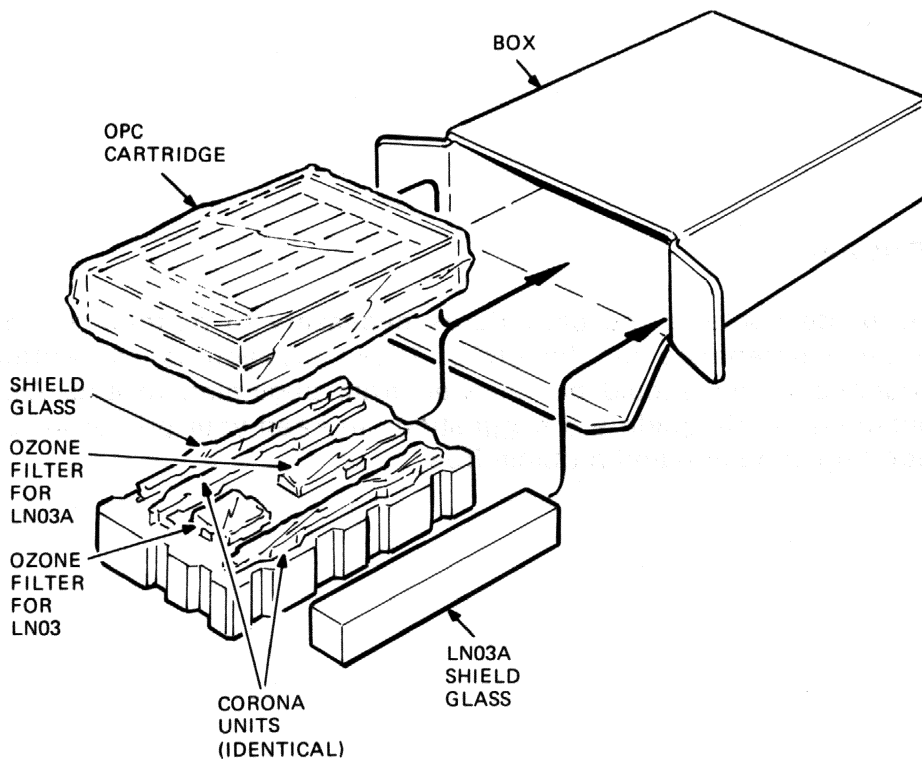
GENERAL

This guide contains the procedures necessary to perform routine printer maintenance for the LN03. These procedures are written sequentially and should be followed from beginning to end. Also contained in this guide are suggestions to keep your printer in top operating condition and problem free.

Before you begin, check to see that you have all of the items shown below.

CAUTION: Do not remove the OPC cartridge from its black bag until you are ready to install it. The cartridge is subject to degradation if exposed to light for more than five (5) minutes.

If any items are missing or damaged, contact your Sales Representative and Delivery Agent, or your DECdirect Customer Service Representative.



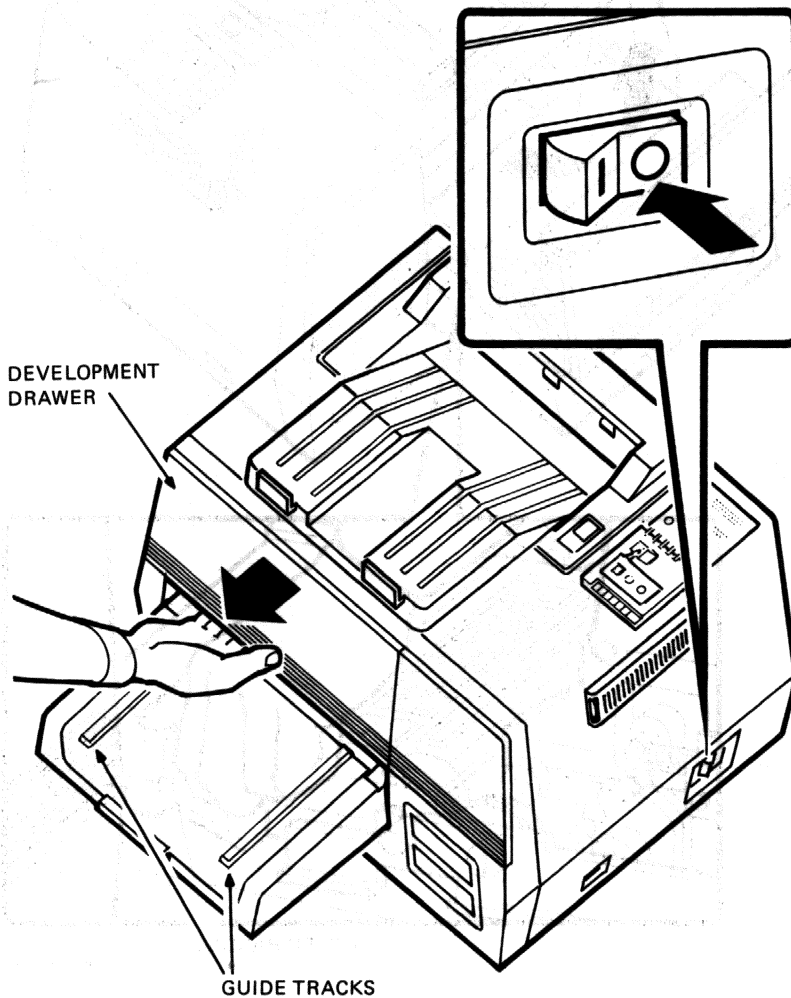
PERFORMING PRINTER MAINTENANCE

Routine printer maintenance should always be performed when the "Maintenance" indicator lights on the indicator panel. If printing continues after the indicator comes on, the quality of print may deteriorate rapidly.

REPLACING THE OPC (Organic Photo Conductor) CARTRIDGE

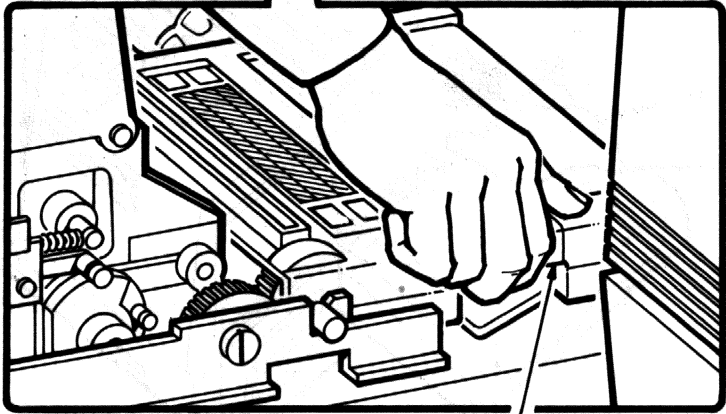
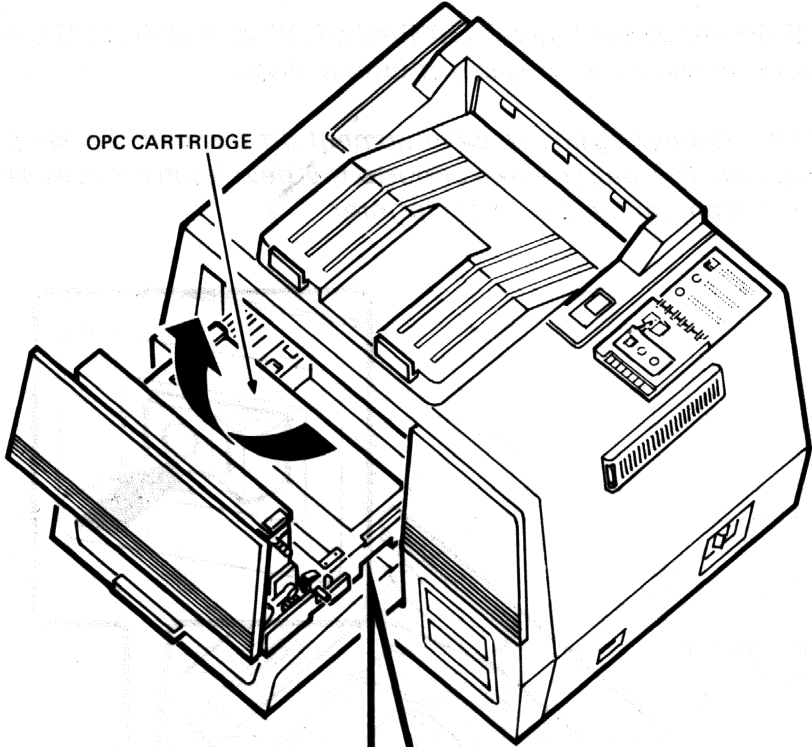
1. Power off printer.
2. Pull development drawer out firmly, letting it slide in the guide tracks on the paper tray cover until it stops.

CAUTION: Do not open the development drawer without the paper tray installed. The paper tray supports the development drawer and prevents it from falling out of the printer.



MA-1301-84A

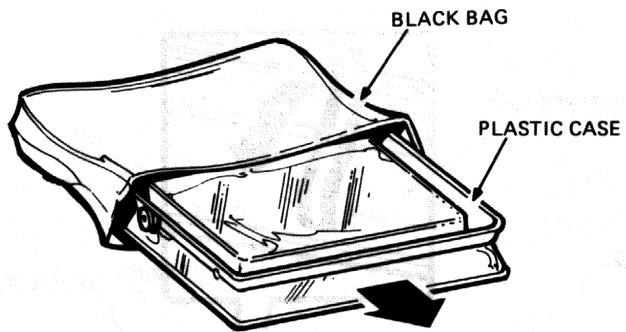
3. Grasp the green handles on each side of the OPC cartridge and lift it up and out.



GREEN HANDLE

MA-1301-84R

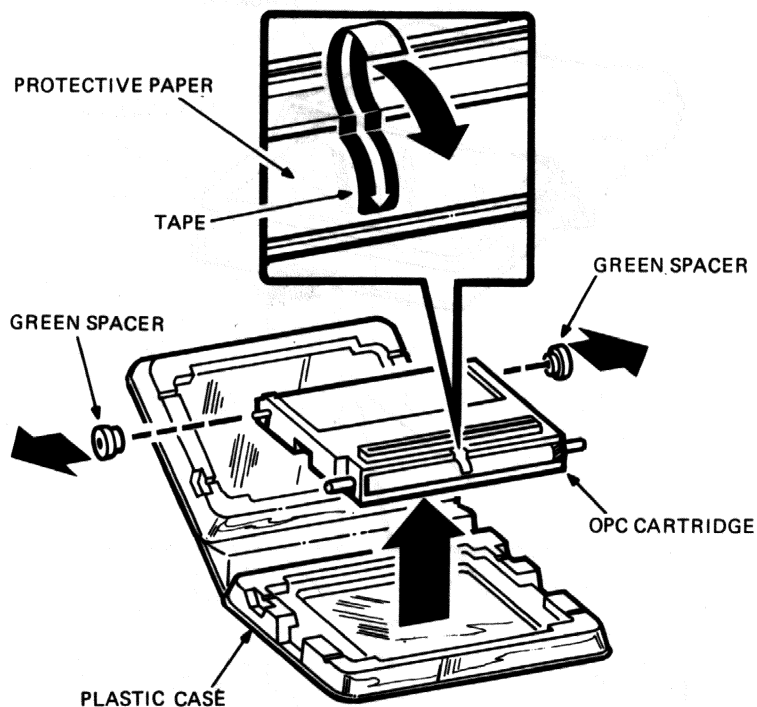
4. Unpack new OPC cartridge from its black bag and plastic case.



MA-1310A-84

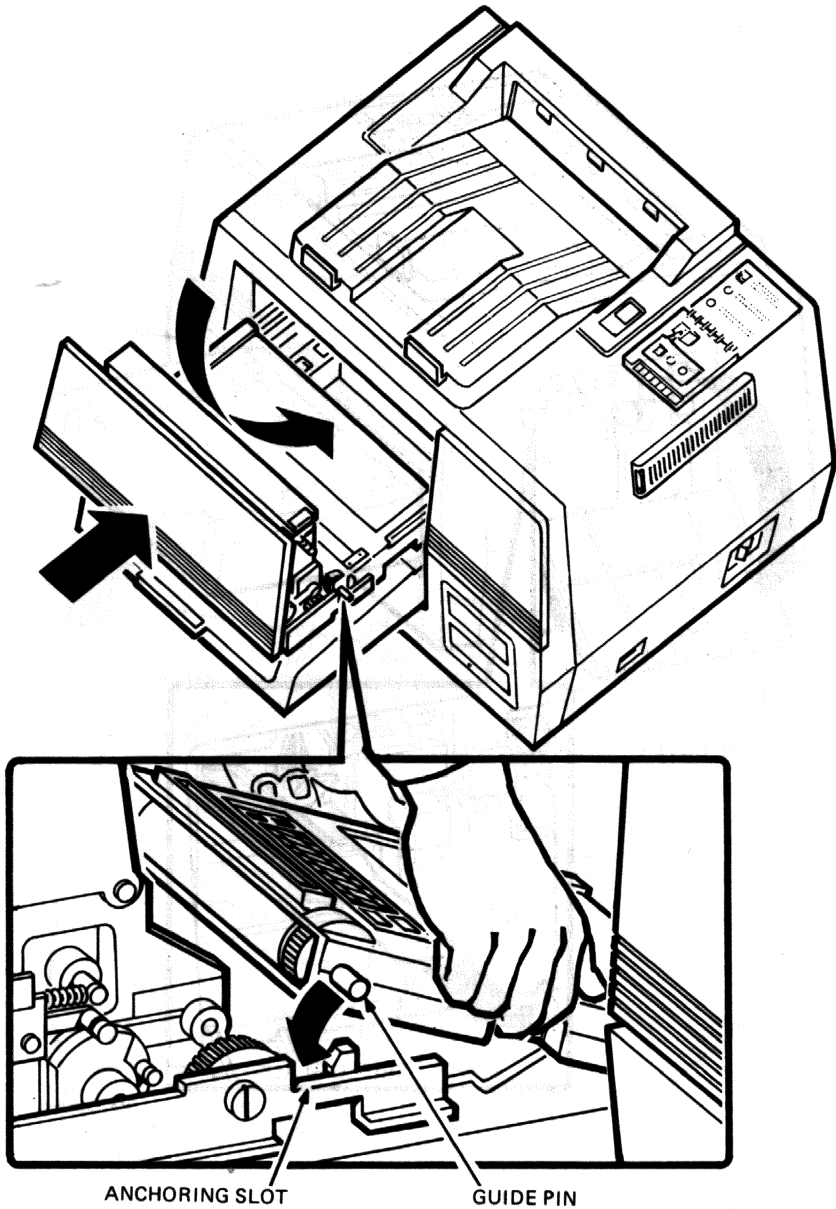
-
5. Remove and discard the green spacers from the rear guide pins on the cartridge.
 6. Remove the protective paper over the belt by grasping the tape and pulling it down in the direction of the arrow.

CAUTION: Do not touch the photo conductive surface of the belt. Finger prints will damage the belt.



MA-1311-84

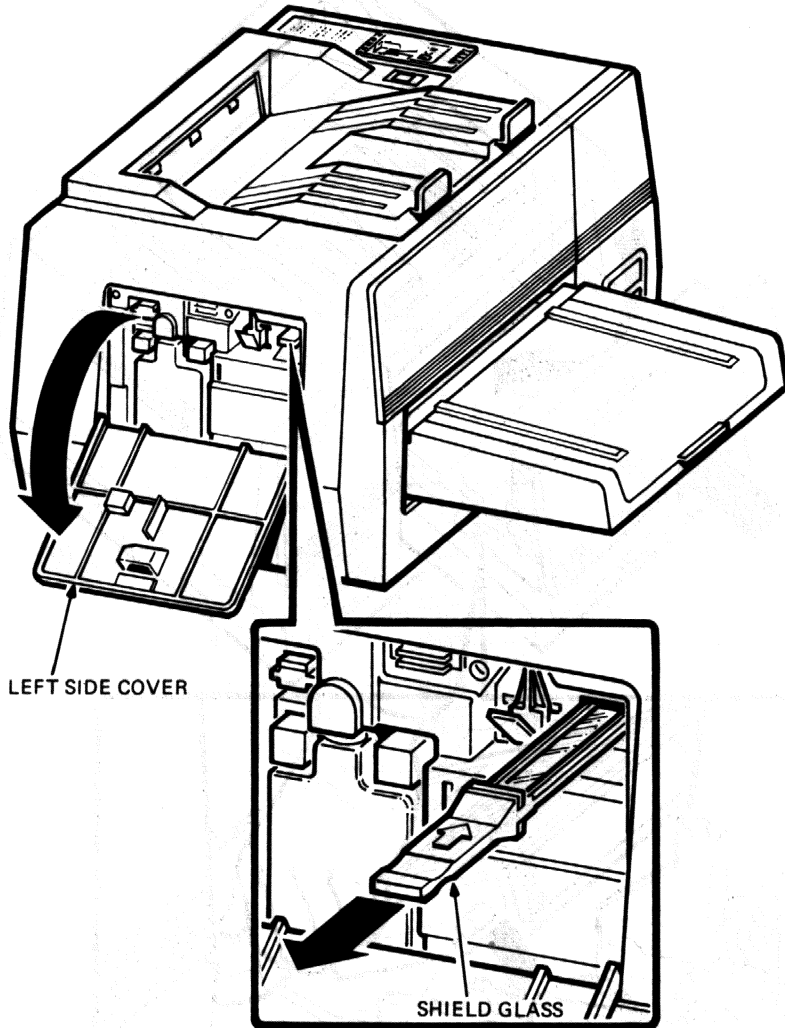
7. Insert new OPC cartridge so the front guide pins on each side slip into their anchoring slots in the development drawer.
8. Close development drawer.



MA-1301-84S

REPLACING THE SHIELD GLASS

1. Open left side cover.
2. Remove shield glass by pulling it out.



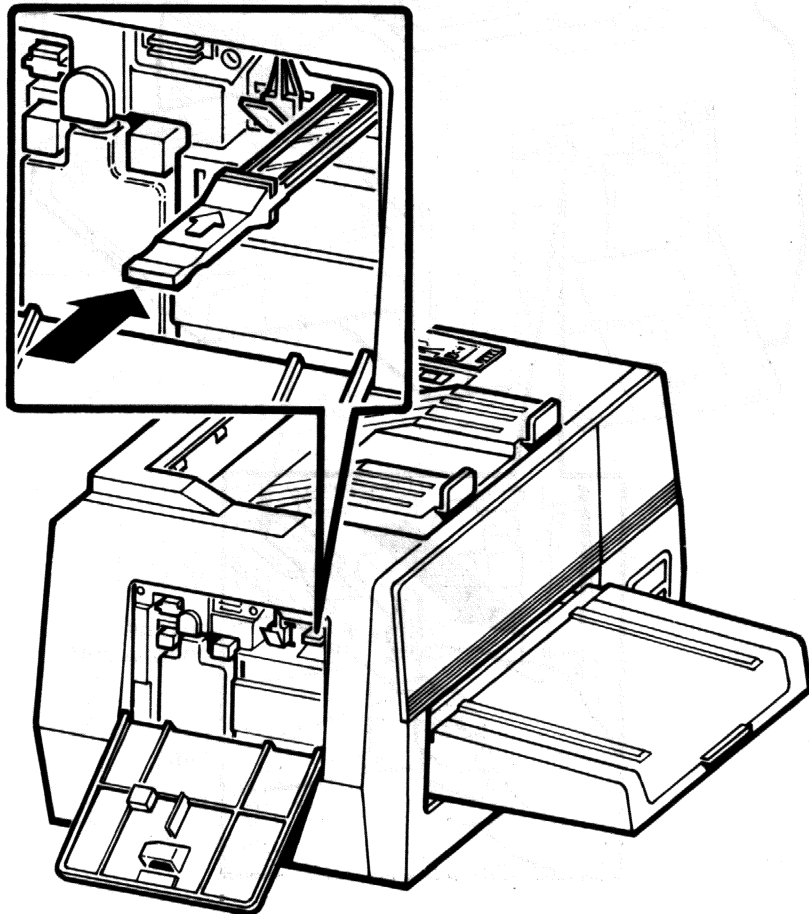
MA-1302-84C

-
3. Insert new shield glass (arrow side up) until it is firmly seated in position.

NOTE: The kit has two different shield glasses. Be sure to use the shield glass that is identical to the one removed. The shield glass for the LN03A model (indicated on the rear panel) has a curvature in the glass and no green border. Discard the shield glass that is not used.

CAUTION: Do not touch glass. Fingerprints will smudge the glass and it cannot be cleaned.

Leave the left side cover open and replace the charge corona unit.

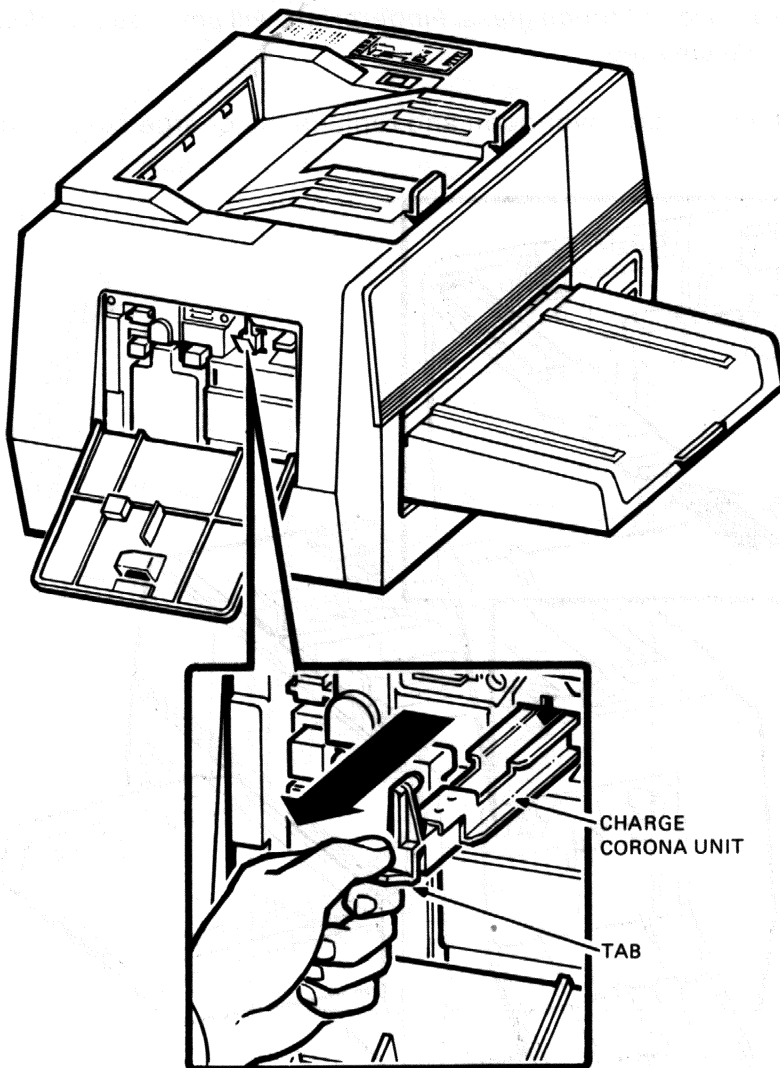


MA-1302-84D

REPLACING THE CHARGE CORONA UNIT

NOTE: The charge and transfer corona units are identical and are interchangeable.

1. Remove charge corona unit by pulling it out by its tab.

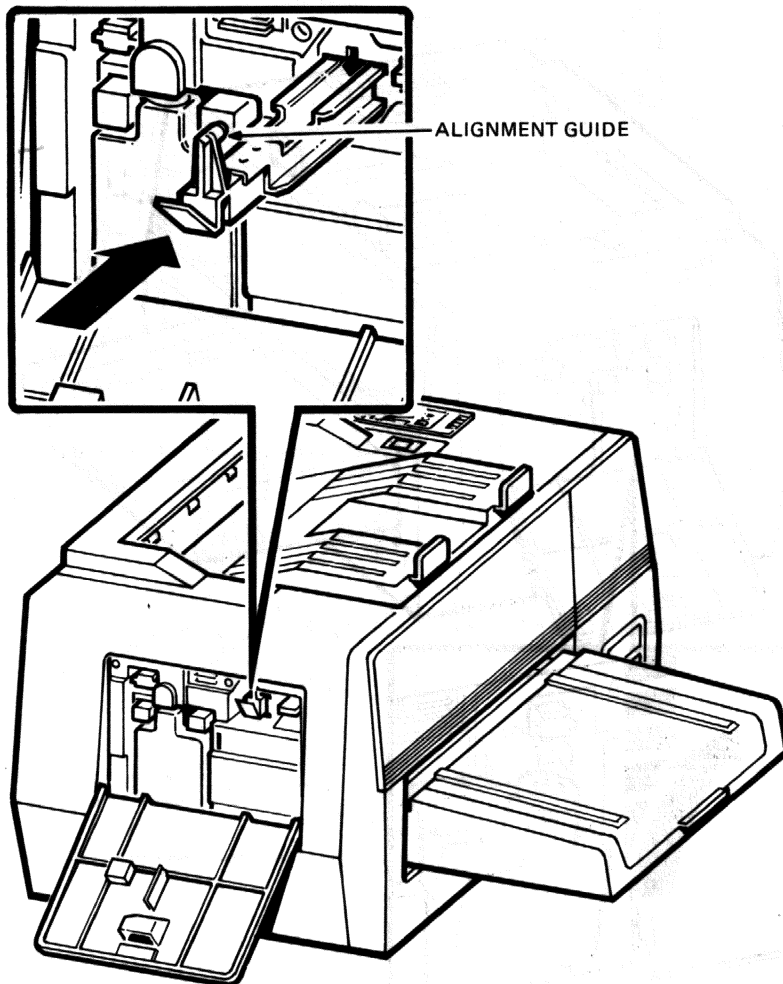


MA-1302-84E

-
2. Insert new charge corona unit (alignment guide up) until it is firmly seated in position.

CAUTION: Do not touch corona wire. The wire has a protective coating and cannot be cleaned if contaminated.

Leave the left side cover open and replace the transfer corona unit.



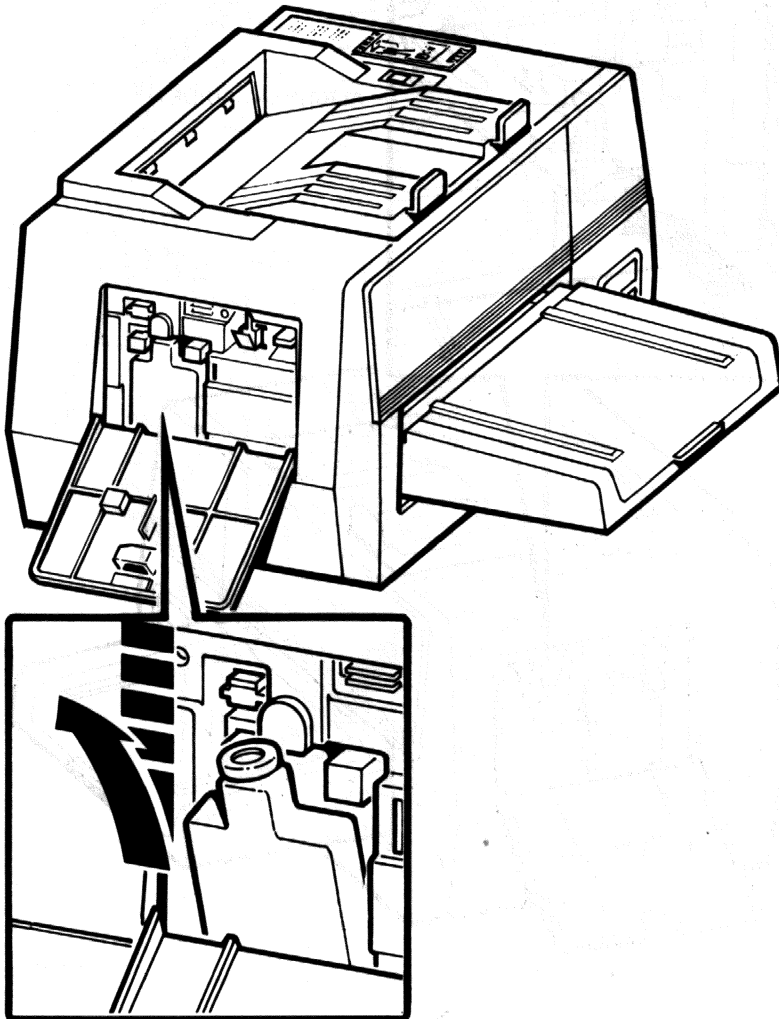
MA-1302-84F

REPLACING THE TRANSFER CORONA UNIT

NOTE: *The charge and transfer corona units are identical and are interchangeable.*

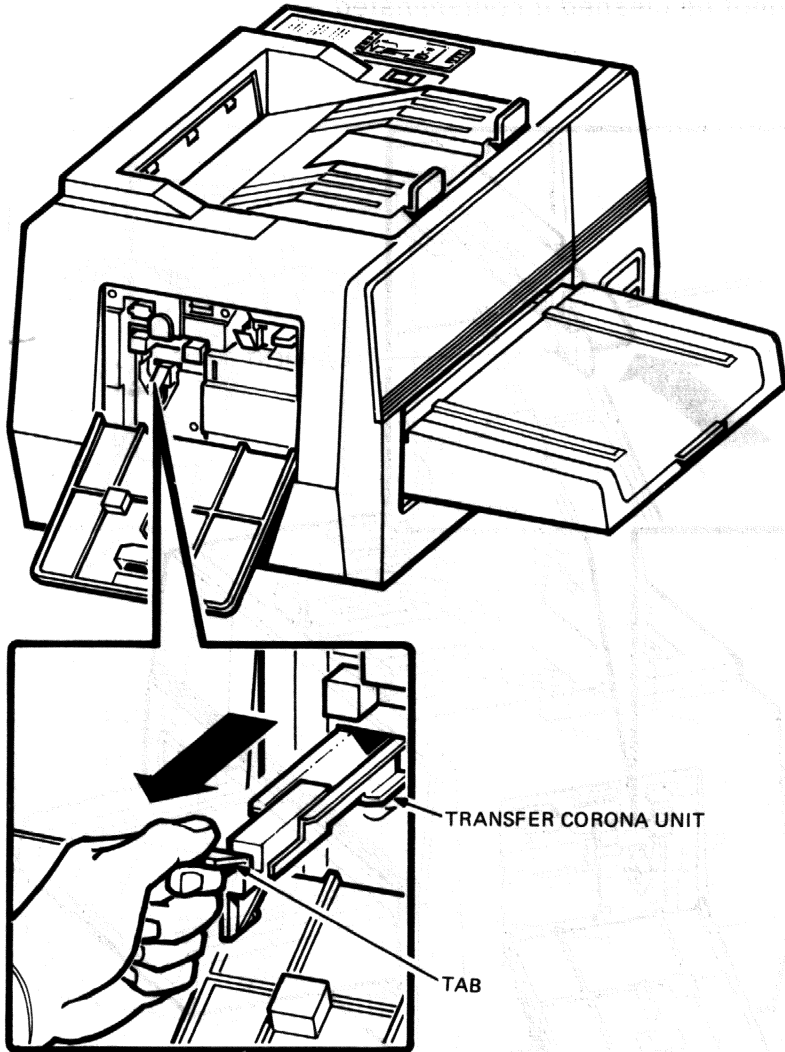
1. Remove toner collection bottle by gently pushing it down and then lifting it out at a slight angle.

NOTE: *Do not discard the toner collection bottle. It will be reinserted after the corona unit is replaced.*



MA-1302-84G

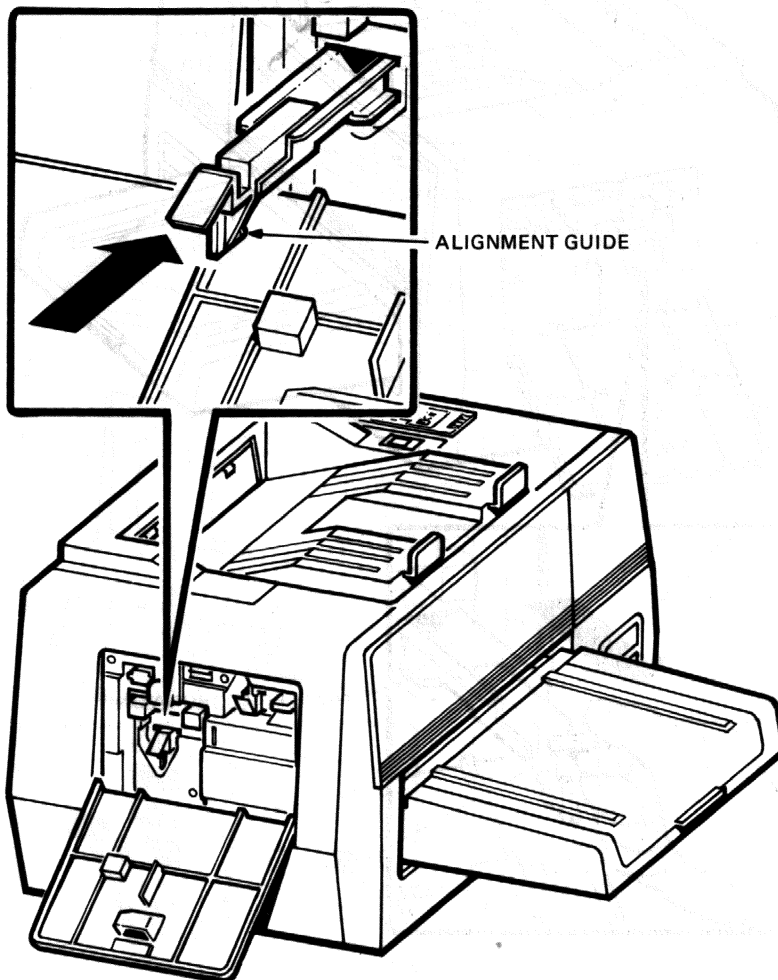
2. Remove transfer corona unit by pulling it out by its tab.



MA-1302-84H

-
3. Insert the new corona unit (alignment guide down) until it is firmly seated in position.

CAUTION: Do not touch corona wire. The wire has a protective coating and cannot be cleaned if contaminated.



MA-1302-84J

4. Replace toner collection bottle.

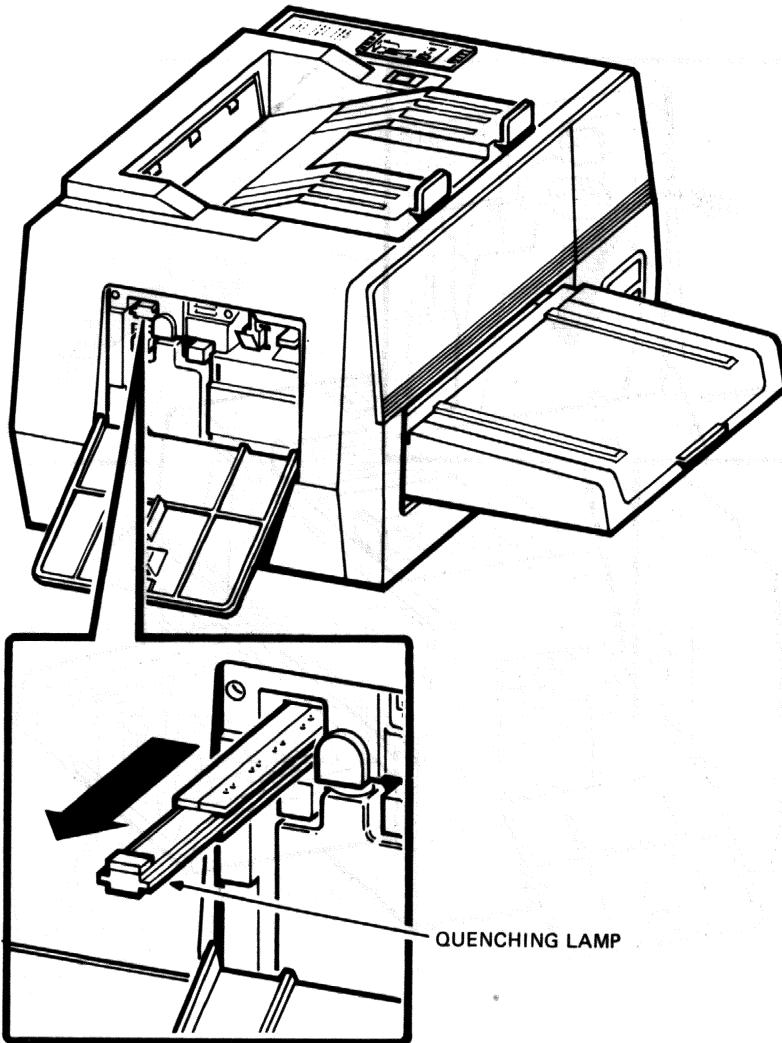
Leave the left side cover open and clean the quenching lamp.



MA-1302-84M

CLEANING THE QUENCHING LAMP

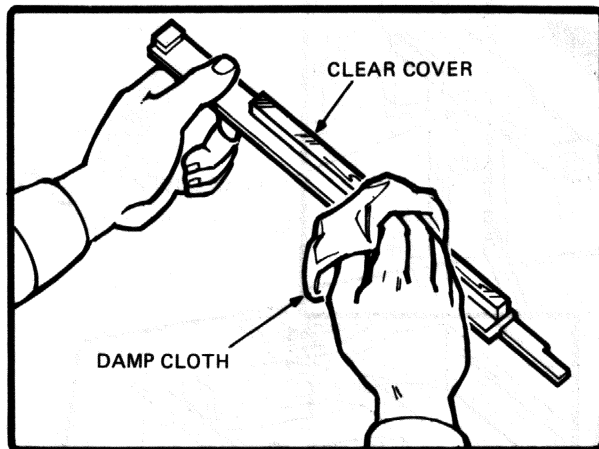
1. Remove quenching lamp by pulling it straight out.



MA-1302-84K

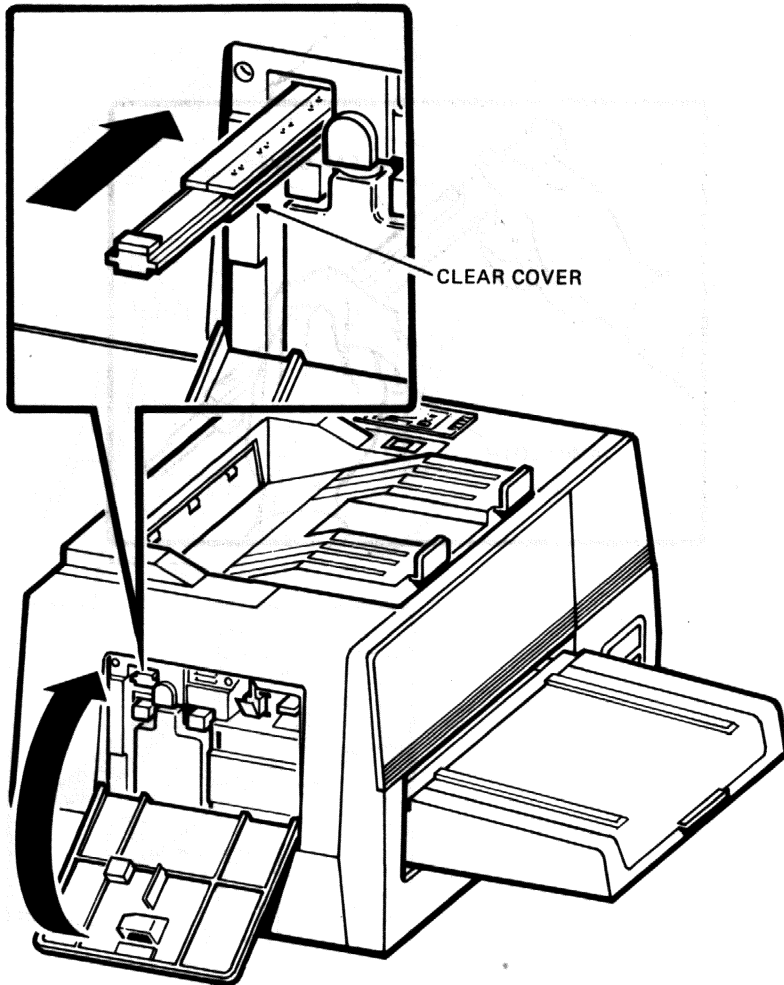
2. Clean the clear quenching lamp cover by wiping with a damp cloth.

CAUTION: Do not use any type of cleaning fluid to clean the quenching lamp. To prevent possible damage, use only water to dampen the cloth.



MA-1312-84

-
3. Insert quenching lamp (clear cover down) until it is firmly seated in position.
 4. Close left side cover.

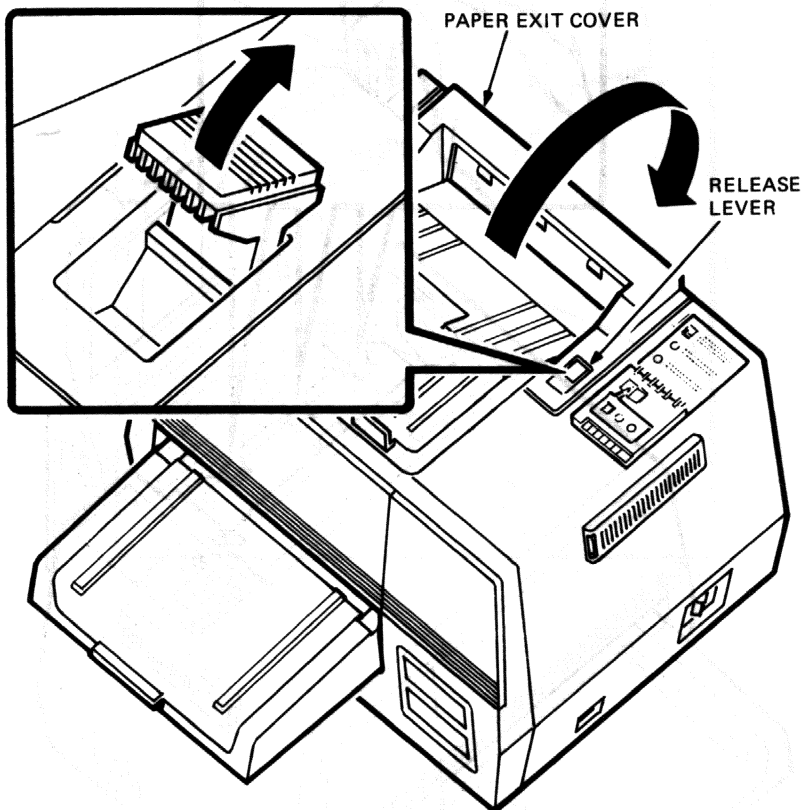


MA-1302-84L

CLEANING THE SEPARATION PAWLS

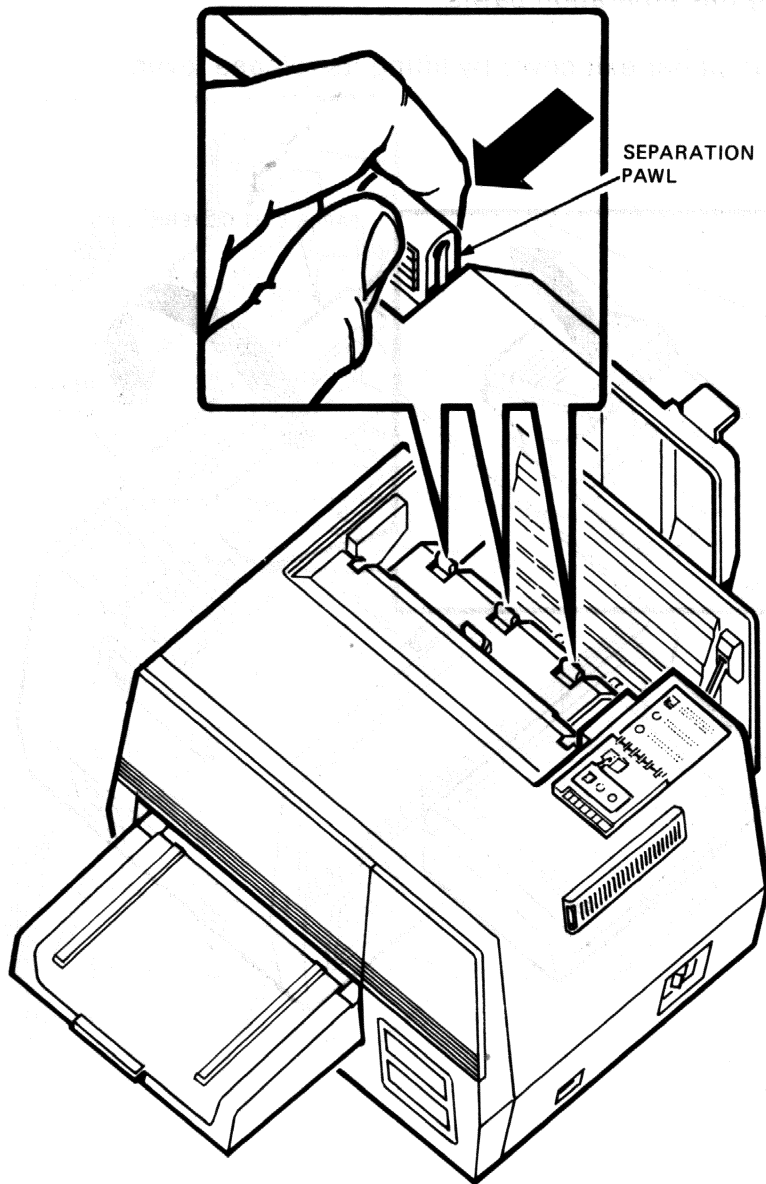
WARNING: The fusing unit is HOT. To prevent personal injury, the printer should remain off for 40 minutes until completely cool before removing the separation pawls.

1. Open paper exit cover by lifting its release lever.



MA-1301-84H

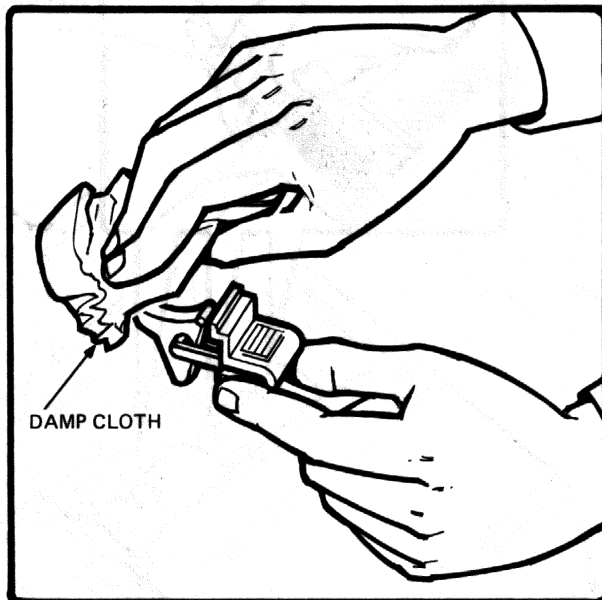
-
2. Remove each separation pawl by pressing it toward the front of the printer and lifting out.



MA-1301-84T

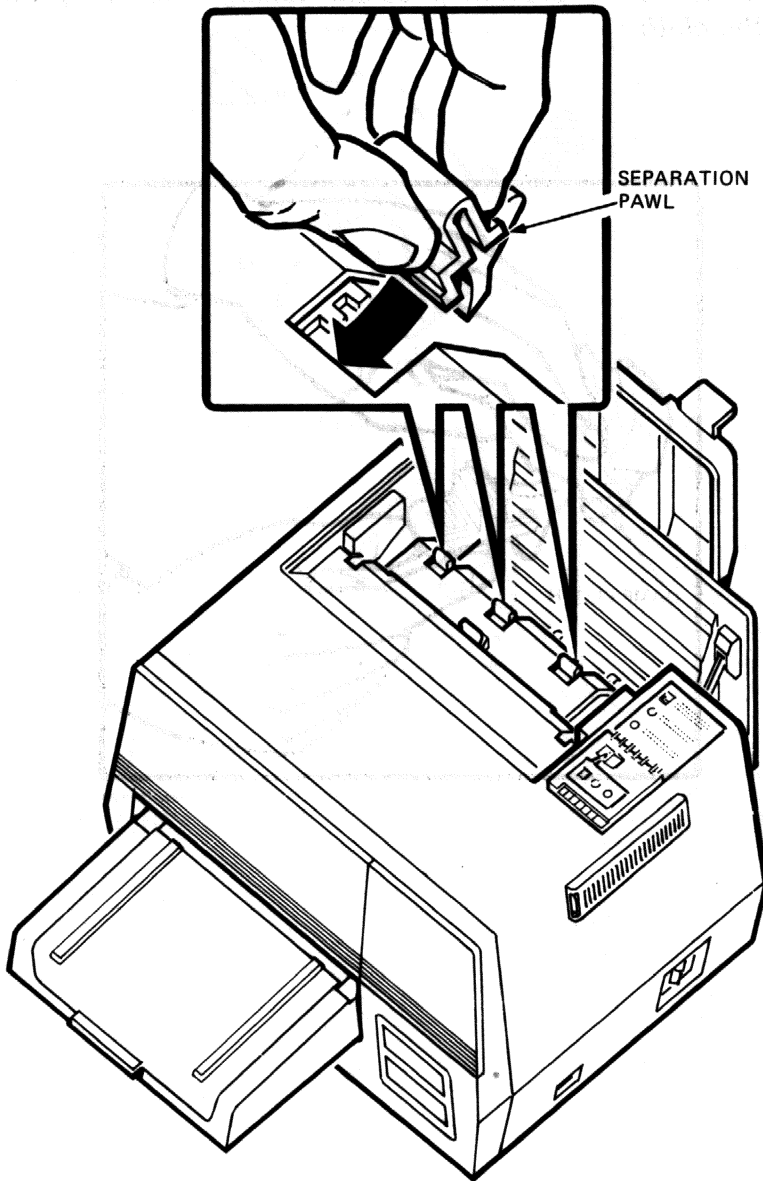
3. Clean the pawls by wiping with a soft damp cloth.

CAUTION: Do not use any type of cleaning fluid to clean the separation pawls. To prevent possible damage, use only water to dampen the cloth.



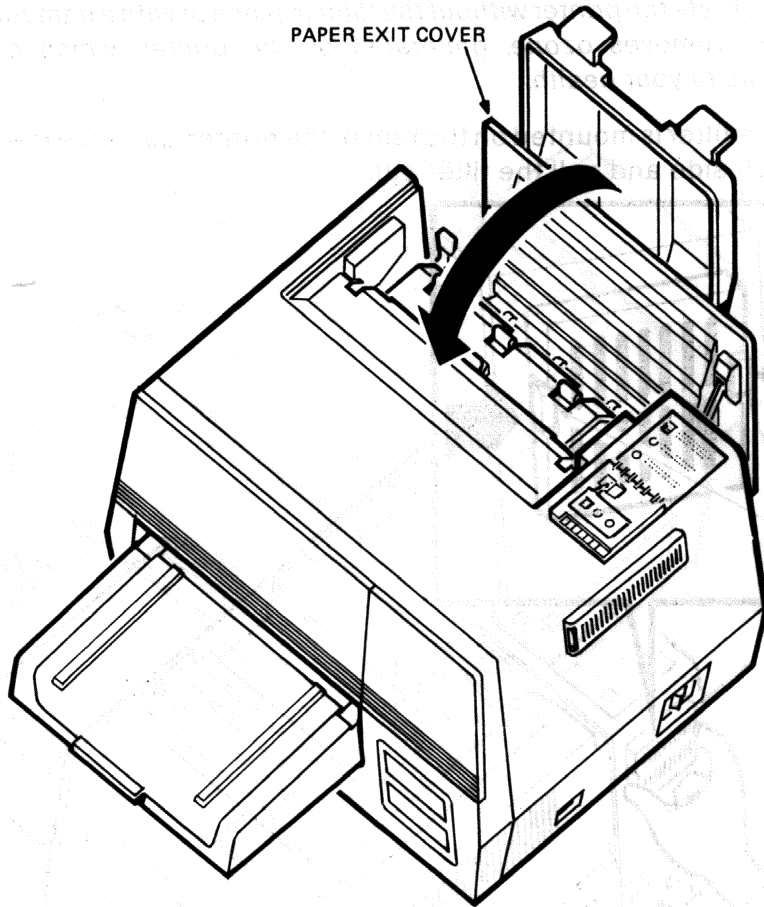
MA-1313-84

-
4. Replace each separation pawl by inserting it so the wide edge of pawl is toward front of printer.



MA-1301-84U

5. Close paper exit cover.



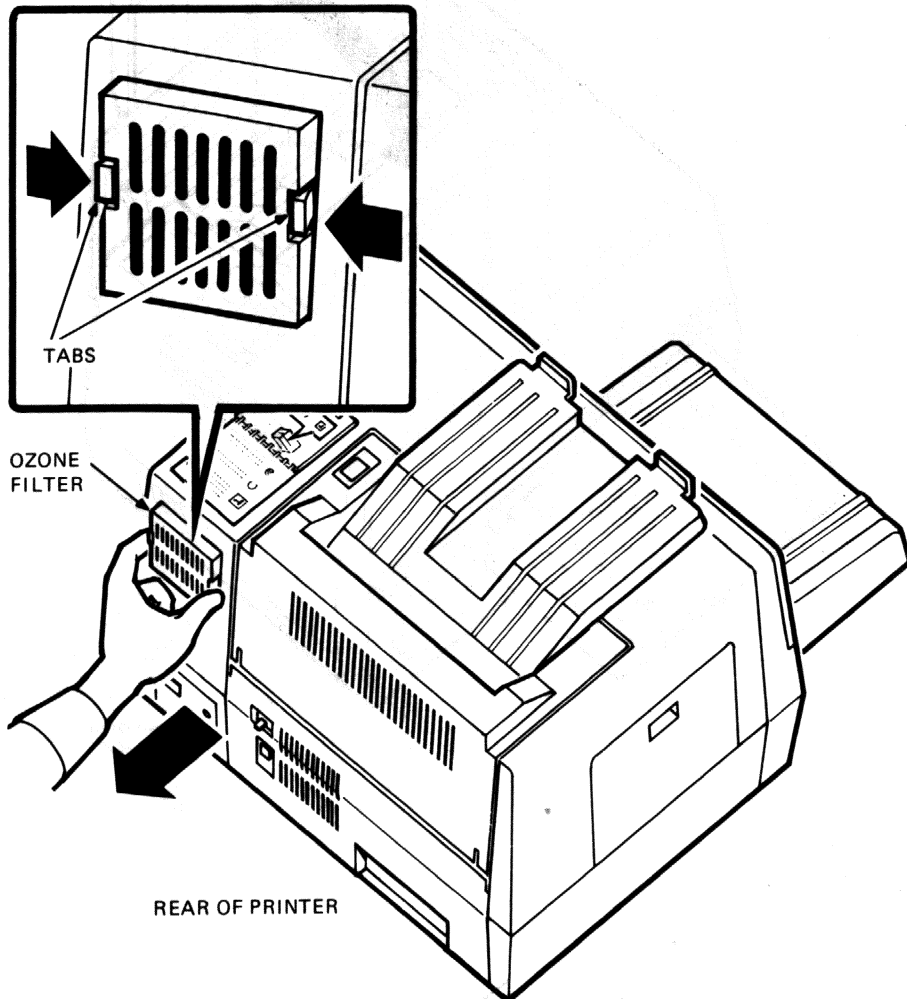
MA-1301-84V

REPLACING THE OZONE FILTER

NOTE: The kit has two different ozone filters. Use the filter that fits your machine. Discard the one that is not used.

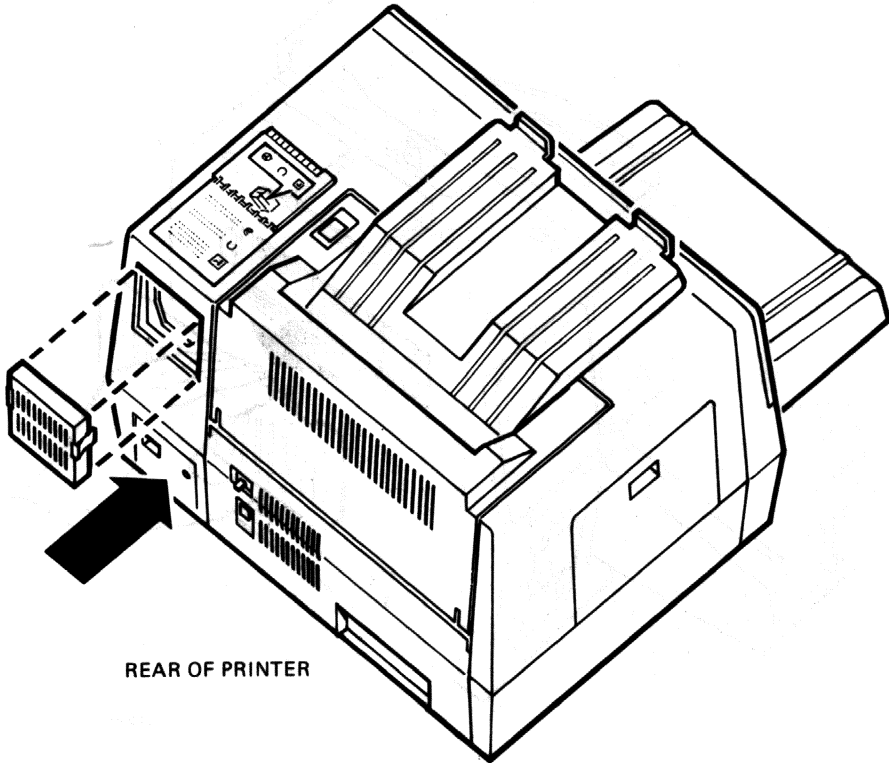
WARNING: The ozone filter must be replaced every 10,000 printed pages. Do not operate the printer without the filter in place or with a damaged filter. The filter removes ozone, generated by the printer, which could be hazardous to your health.

1. If the filter is mounted on the rear of the printer, squeeze the tabs on each side and pull the filter out.



MA-1305-84A

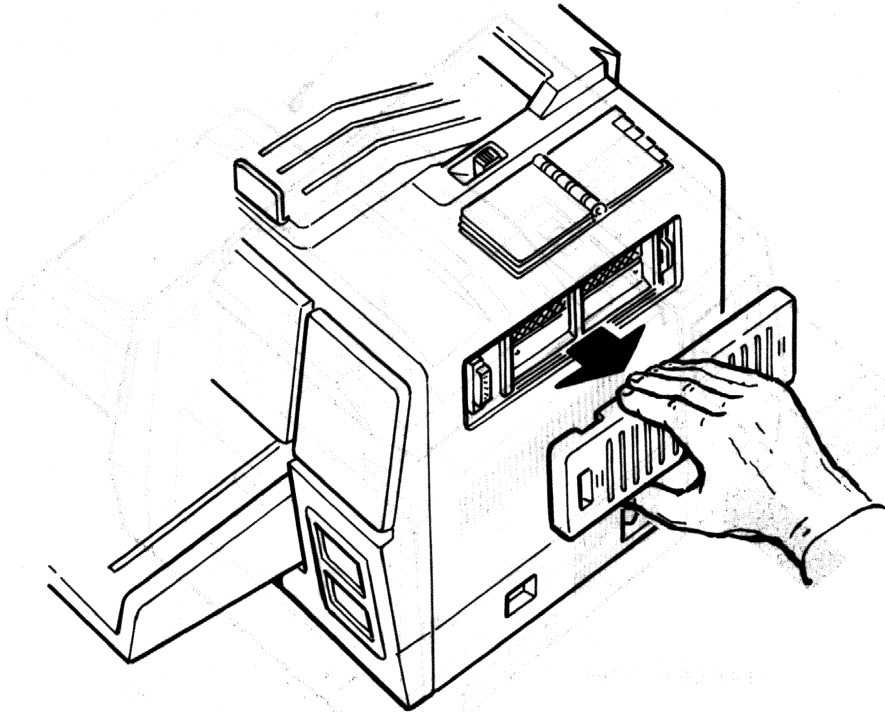
-
2. Insert the new ozone filter by pushing it in until it snaps into place.



REAR OF PRINTER

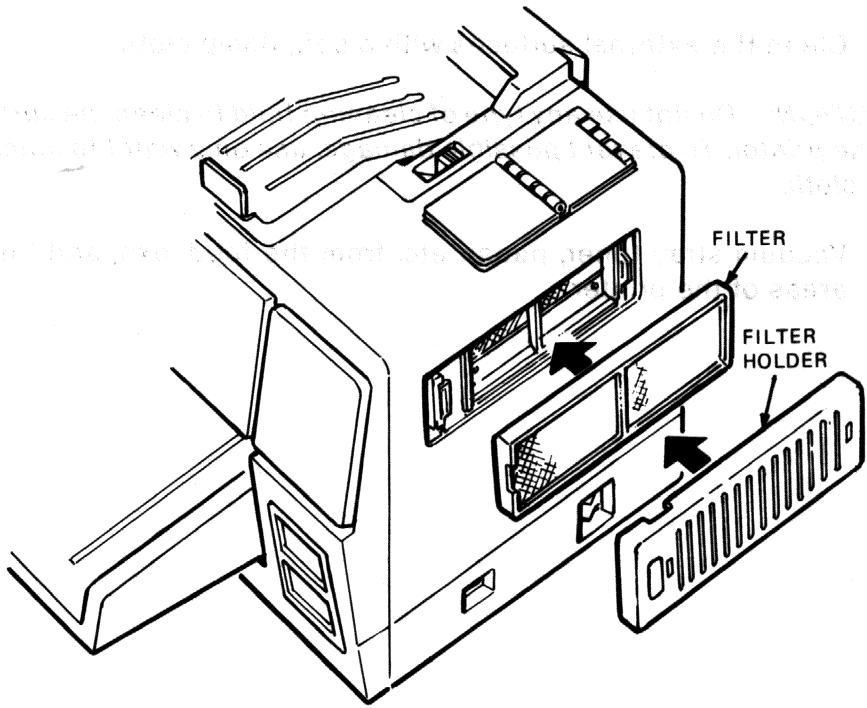
MA-1305-848

-
3. If the filter is mounted on the side of the printer, pull out the filter holder and remove the filter.



MA-0264-86

-
4. Insert the new filter in the holder.
 5. Mount the holder by inserting the tab through the opening in the cover and pushing in the holder until the magnet secures the holder in place.



MA 0263-86

GENERAL MAINTENANCE

Very little general maintenance is required to keep the LN03 in top operating condition if the routine printer maintenance is performed when required.

At intervals of approximately 3,000 pages when toner is added, perform the following procedures to maintain peak performance from the printer.

- Clean the external surfaces with a soft, damp cloth.

CAUTION: *Do not use any type of cleaning fluid to clean the surface of the printer. To prevent possible damage, use only water to dampen the cloth.*

- Vacuum stray toner, paper, etc. from the feed, exit, and fusing areas of the printer.