



# digital PARTS LIST

DRN. DATE <i>Anche</i> 7 Aug 79	DES. ENG. <i>James Walker</i> DATE 7-SEP-79	MFG. ENG. <i>...</i>
CHK'D. DATE <i>K.B. Jones</i> 7 Sep 79	RESP. ENG. <i>James Walker</i> DATE 7-SEP-79	NEXT HIGHER DOC. B-DD-DRV11-J

## QUANTITY / VARIATION

NOTES:

ITEM NO.	DRAWING NO.	PART NO.	DESCRIPTION	DRV11-J
1		MP00866	FIELD MAINT. PRINT SET, DRV11-J	1
2		ZJ302-RB	DRV11-J DIAG DOC/PT KIT	1
3		EK-DRV1J-UG	DRV11-J USER'S GUIDE	1

## REFERENCE DESIGNATORS

ECO NO.

"THIS DRAWING AND SPECIFICATIONS, HEREIN, ARE THE PROPERTY OF DIGITAL EQUIPMENT CORPORATION AND SHALL NOT BE REPRODUCED OR COPIED OR USED IN WHOLE OR IN PART AS THE BASIS FOR THE MANUFACTURE OR SALE OF ITEMS WITHOUT WRITTEN PERMISSION.  
COPYRIGHT © 1979 DIGITAL EQUIPMENT CORPORATION"

TITLE  
PARALLEL LINE INTERFACE

ASSY. NO.  
B-DD-DRV11-J  
SECTION 1 OF 1

SIZE  
**B**  
CODE  
**PL**

NUMBER  
DRV11-J

REV.

SHEET 1 OF 1

DRAWING NO.	NO. OF SHTS.	PART NO.	DESCRIPTION	REVISIONS	
				A	B
D-UA-M8049-0-0	5		DRV11-J	A	A
K-PL-M8049-0-DBP			DATA BASE PARTS LIST	A	B
D-CS-M8049-0-1	6		DRV11-J	A	B
D-MD-5013752-0-0	5		DRILL & ETCH DRAWING	A	A
		5013752	ETCHED BOARD	B	B
K-PC-M8049-0-DBC			P.C. DESIGN DATA BASE	B	B

**NOTES:**

REVISIONS	
DATE	CHG NO.
12-80	ML001
	B

"THIS DRAWING AND SPECIFICATIONS, HEREIN, ARE THE PROPERTY OF DIGITAL EQUIPMENT CORPORATION AND SHALL NOT BE REPRODUCED OR COPIED OR USED IN WHOLE OR IN PART AS THE BASIS FOR THE MANUFACTURE OR SALE OF ITEMS WITHOUT WRITTEN PERMISSION.

COPYRIGHT© 1979 DIGITAL EQUIPMENT CORPORATION

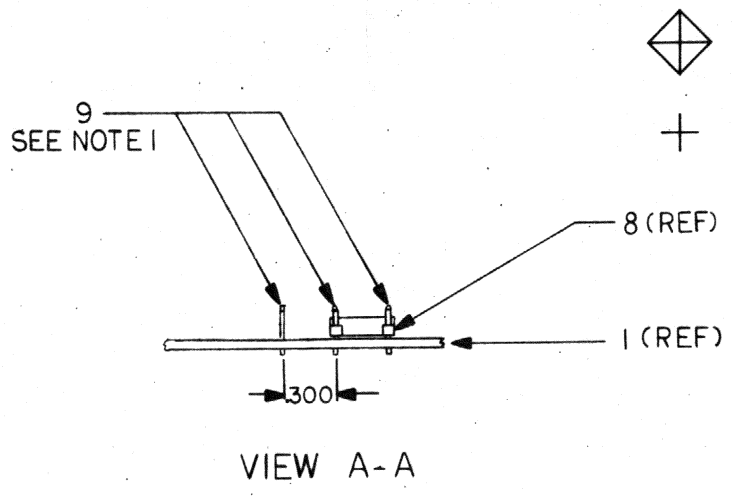
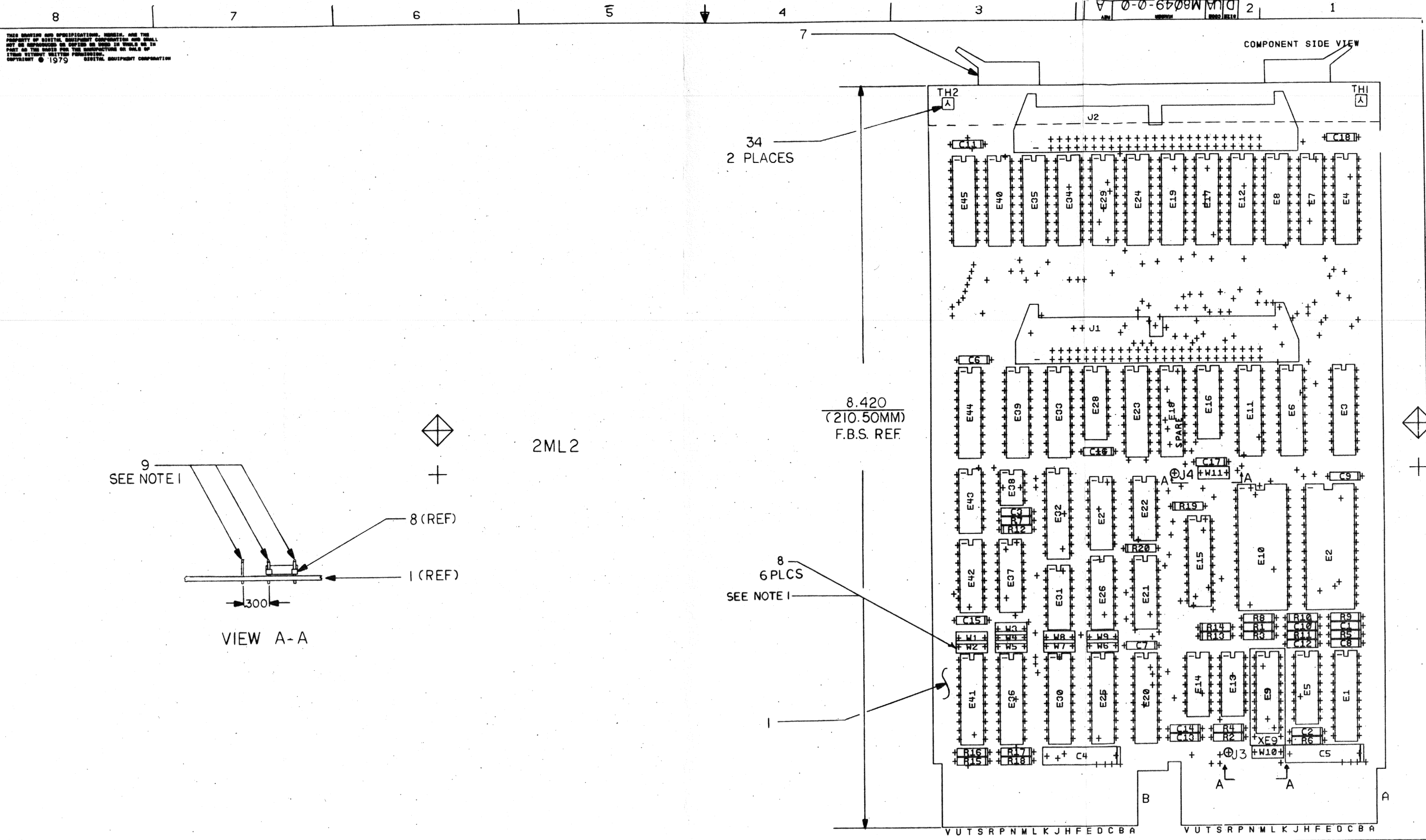


USED ON OPTION/MODEL  
11-03

DRN RITA Z. BUREAU 2 JUL 79  
 CHK'D *Rita Bureau* 2 Jul 79  
 ENG. Richard Kallman 23 Jul 79  
 PROD. *John* 8-3-79

TITLE DRV11-J  
 SIZE B CODE DD NUMBER M8049-0 REV. B  
 SHEET 1 OF 1

THIS DRAWING AND SPECIFICATIONS, HEREIN, ARE THE PROPERTY OF DIGITAL EQUIPMENT CORPORATION AND SHALL NOT BE REPRODUCED OR COPIED IN WHOLE OR IN PART AS THE BASIS FOR THE MANUFACTURE OR SALE OF ITEMS WITHOUT WRITTEN PERMISSION.  
 COPYRIGHT © 1979 DIGITAL EQUIPMENT CORPORATION



2ML2

8.420  
(210.50MM)  
F.B.S. REF.

8  
6 PLCS  
SEE NOTE 1

34  
2 PLACES

NOTES:  
 ITEM\*8CW2W7-W11) MOUNT ON ITEM\*9  
 (STRIP CONNECTOR POSTS)\*9 IN VIEW A-A  
 ARE SINGLE ELEMENTS OF ITEM\*9  
 TO BE MOUNTED AS SHOWN

STEP 1	↑ Y AXIS	STEP 1	TIMES
REPEAT	→ X AXIS	5.240	STEP 1

CHG	NO	REV

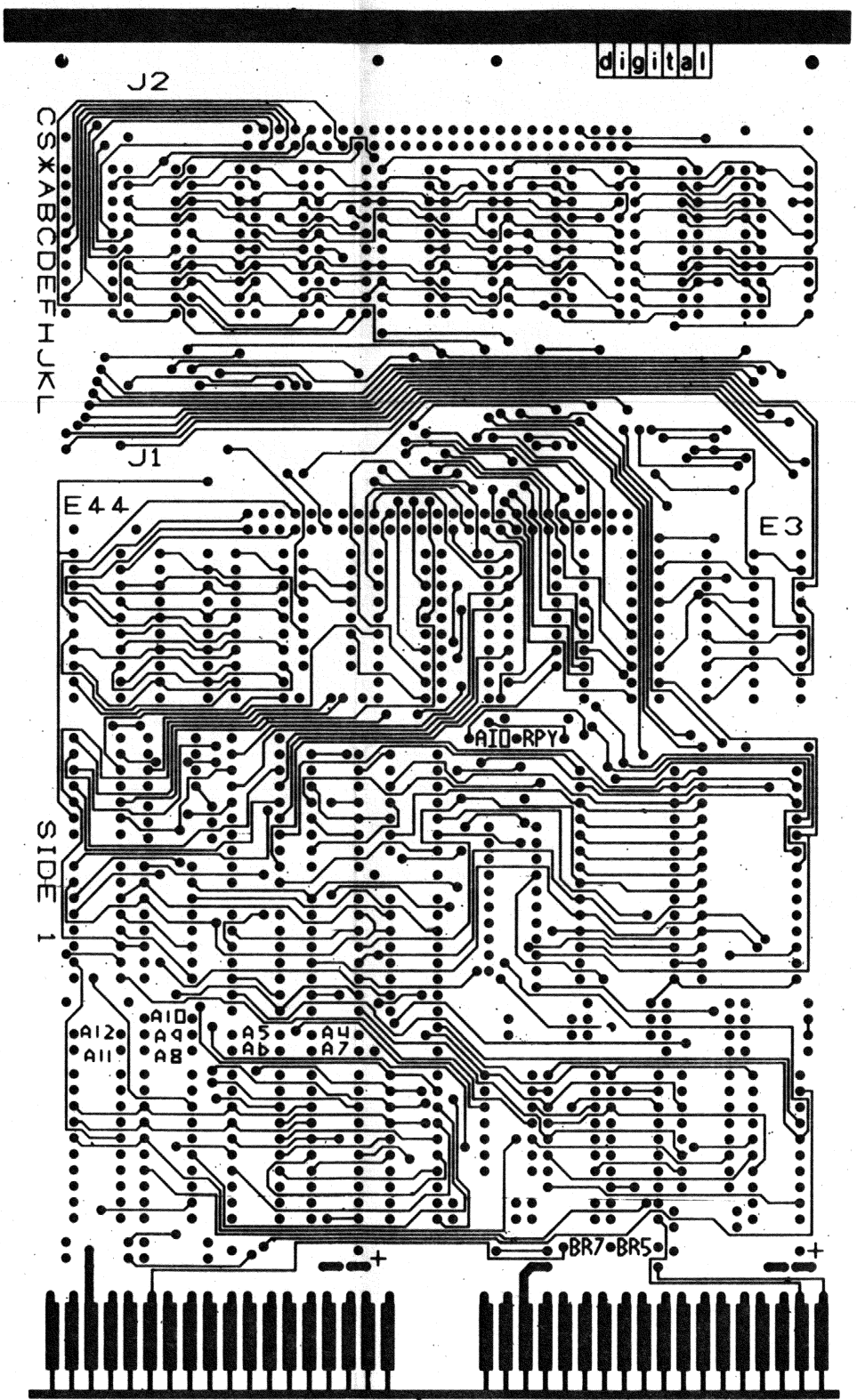
ETCH REV.	B
-----------	---

SIGNATURES		DATE	digital
DRN. <i>Matt Basso</i>		6/14/79	
CHK'D. <i>[Signature]</i>		6-18-79	TITLE DRV11 J
MECH. ENG. <i>[Signature]</i>		7-26-79	
PROD. <i>[Signature]</i>		8-7-79	
SCALE 2	SIZE CODE	NUMBER	REV
SHT. 1 OF 5	D	UA M8049-0-0 A	
NEXT HIGHER PESSY: B-DD-M8049-0			

THIS DRAWING AND SPECIFICATIONS HEREIN ARE THE PROPERTY OF DIGITAL EQUIPMENT CORPORATION AND SHALL NOT BE REPRODUCED OR COPIED OR USED IN WHOLE OR IN PART AS THE BASIS FOR THE MANUFACTURE OR SALE OF ITEMS WITHOUT WRITTEN PERMISSION. COPYRIGHT © 1979 DIGITAL EQUIPMENT CORPORATION

D  
C  
B  
A

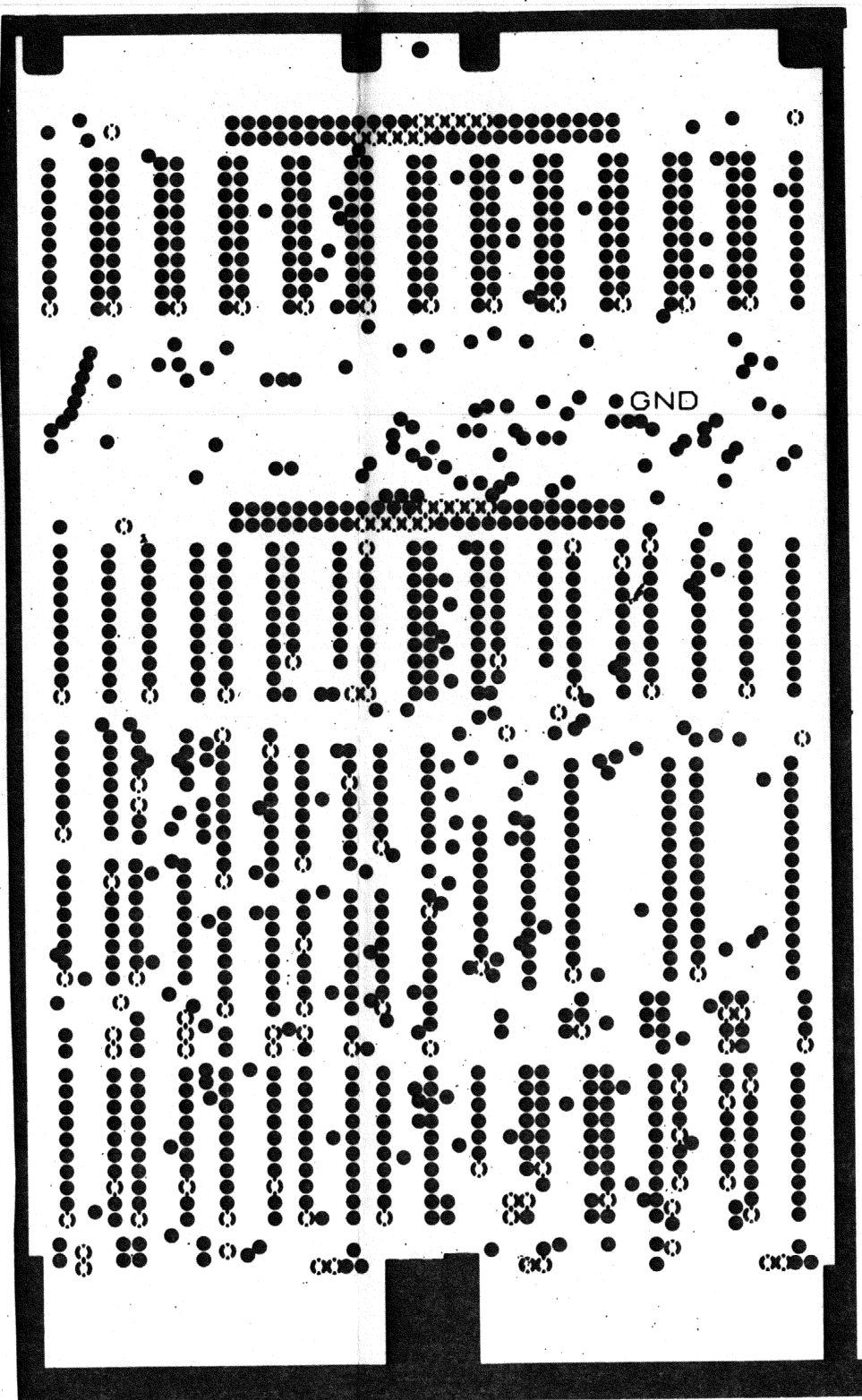
D  
C  
B  
A



REVISIONS		
CHK	CHANGE NO.	REV.

THIS DRAWING AND SPECIFICATIONS HEREIN ARE THE PROPERTY OF DIGITAL EQUIPMENT CORPORATION AND SHALL NOT BE REPRODUCED OR COPIED OR USED IN WHOLE OR IN PART AS THE BASIS FOR THE MANUFACTURE OR SALE OF ITEMS WITHOUT WRITTEN PERMISSION. COPYRIGHT © 1979 DIGITAL EQUIPMENT CORPORATION

REV. A DUA M8049-0-0 2 1



D  
C  
B  
A

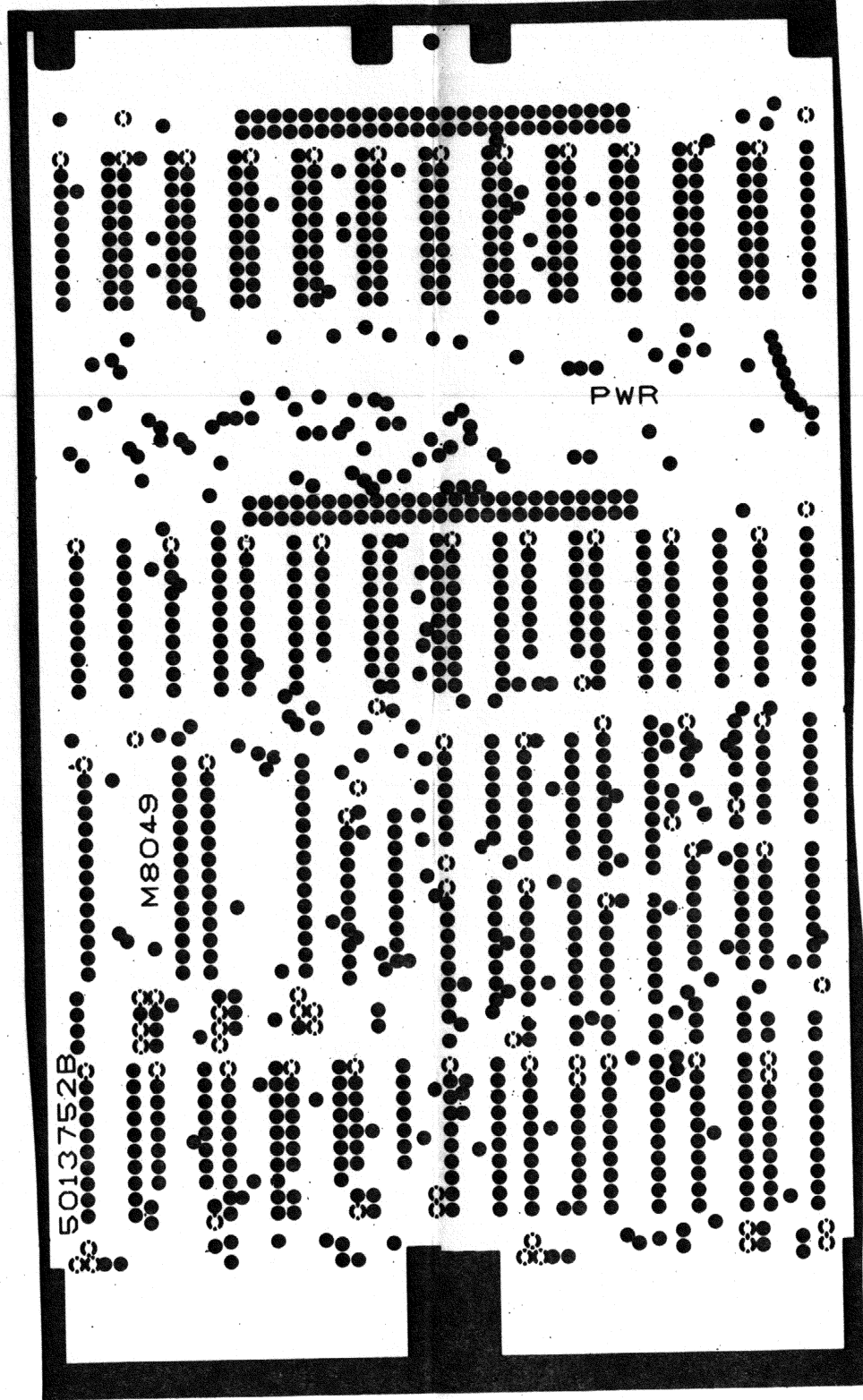
D  
C  
B  
A

REVISIONS		
CHK	CHANGE NO.	REV.

TITLE	DRV 11 - J	SIZE CODE	DUA	NUMBER	M8049-0-0	REV.	A
SCALE	2/1	SHEET	3	OF	5	DIST.	

8 7 6 5 4 3 2 1

THIS DRAWING AND SPECIFICATIONS HEREIN ARE THE PROPERTY OF DIGITAL EQUIPMENT CORPORATION AND SHALL NOT BE REPRODUCED OR COPIED OR USED IN WHOLE OR IN PART AS THE BASIS FOR THE MANUFACTURE OR SALE OF ITEMS WITHOUT WRITTEN PERMISSION. COPYRIGHT © 1975 DIGITAL EQUIPMENT CORPORATION



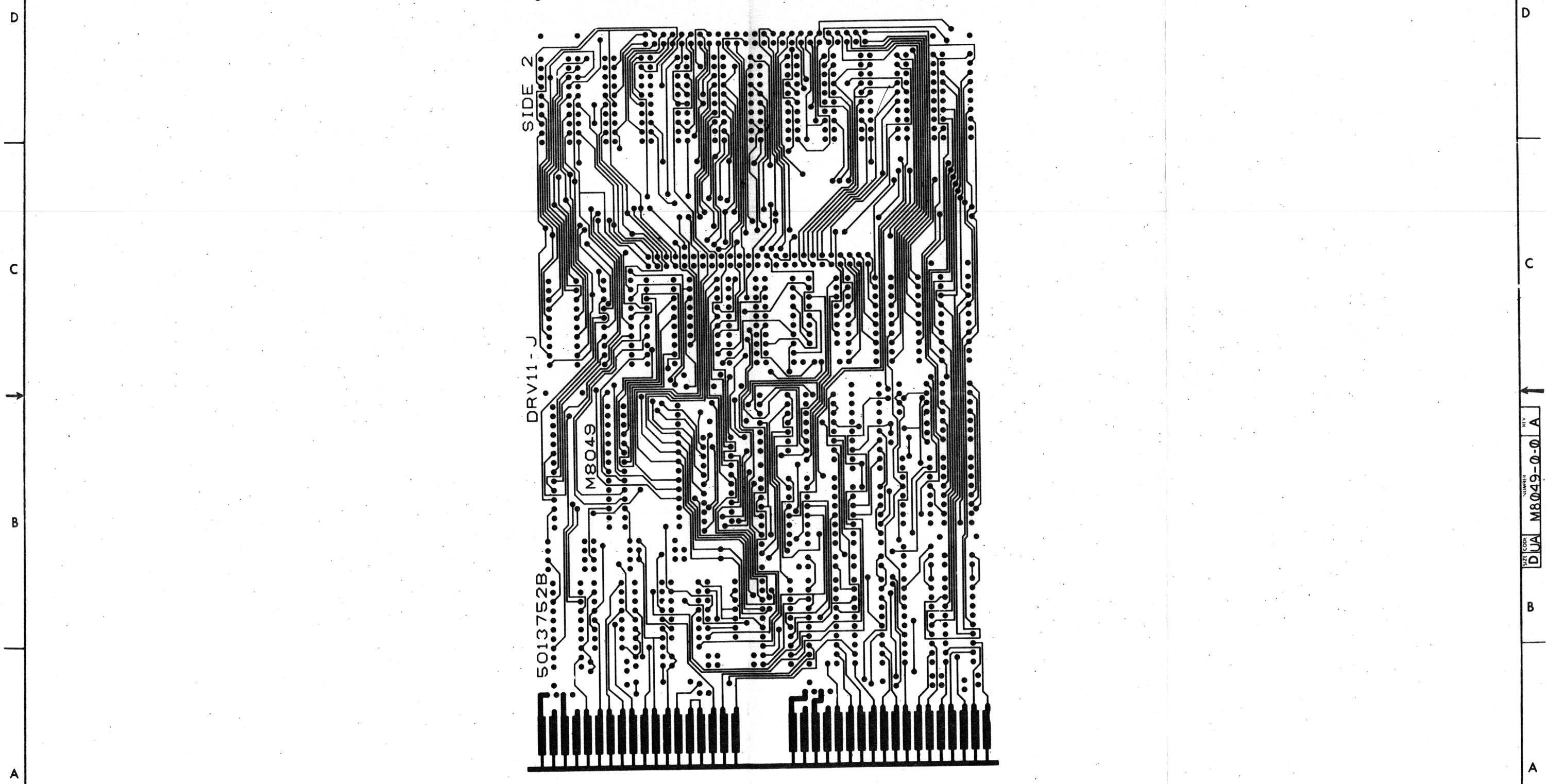
D  
C  
B  
A

D  
C  
B  
A

REVISIONS		
CHK	CHANGE NO.	REV.

TITLE	DRV II - J	SIZE CODE	DUA	NUMBER	M8049-0-0	REV.	A
SCALE	1/1	SHEET	4	OF	5	DIST.	

THE DRAWING AND SPECIFICATIONS HEREIN ARE THE PROPERTY OF DIGITAL EQUIPMENT CORPORATION AND SHALL NOT BE REPRODUCED OR COPIED OR USED IN WHOLE OR IN PART AS A BASIS FOR THE MANUFACTURE OR SALE OF ANY EQUIPMENT WITHOUT WRITTEN PERMISSION OF DIGITAL EQUIPMENT CORPORATION.



REVISIONS		
CHK	CHANGE NO.	REV.

TITLE	DRV 11 - J	SIZE CODE	DUA	NUMBER	M8049-0-0	REV.	A
SCALE	2/1	SHEET	5	OF	5	DIST.	



LINE ITEM	DOCUMENT NUMBER	PART NUMBER	DESCRIPTION	QTY PER VARIATION 00	REFERENCE DESIGNATOR
1	1	5013752-00	ETCH BOARD FOR M8049	1	
2	2	1005306-00	6.8MFD 35V 10% S.TANT	2	C4,C5
3	3	1012784-00	.047 MFD 50V -20+80 CER	13	C6-C18
4	4	1013466-07	220.0 MMF 50V 5% CER.	2	C1,C2
5	5	1013466-08	680.0 MMF 50V 10% CER.	1	C3
6	6	1209941-07	HEADER.100 50POS RT ANGLE	2	J1,J2
7	7	1213543-01	HANDLE,UNIBUS MODULE,MAGENTA	1	
8	8	1215899-00	CLIP,JUMPER GOLD/TIN	6	W2,W7-W11
9	9	1215901-00	CONN 36POS STRAIGHT	1	
10	10	1300295-06	330 1/4W 5% CC	2	R1,R2
11	12	1301424-00	680 1/4W 5% CC	2	R3,R4
12	13	1304856-00	4.64 K 1/4W 1% RN55D-F 100PPM	2	R5,R6
13	14	1300447-00	4.7 K 1/4W 5% CC	5	R8-R12
14	15	1311003-01	R NETWORK 14-180 14-390	1	E16
15	16	1911579-00	8641 TRANSCEIVER,BUS,QUA	1	E5
16	17	1912646-00	LS253 MUX 1 OF 4 (DUAL)	1	E42
17	18	1912729-00	DC 004 PROTOCOL,REG. SELECT	1	E1
18	19	1912799-00	LS00 NAND-GATE-QUAD 2IN,P	2	E22,E43
19	20	1912801-00	LS02 NOR-GATE-QUAD 2IN	1	E31
20	21	1912803-00	LS04 INVERTER GATE-HEX 1I	1	E13
21	22	1912820-00	LS51 A-O-I GATE 2-WIDE 2I	1	E14
22	23	1912843-00	LS139 DECODER, 2 OF 4(DUAL)	1	E28
23	24	1912853-00	LS175 FF-D QUAD	1	E26
24	25	1912860-00	LS259 LATCH 8BIT	2	E21,E37
25	26	1912864-00	LS279 LATCH,QUAD-S-R	1	E27
26	27	1913040-00	DC 005 TRANSCEIVER 4BIT	4	E25,E30,E36,E41
27	28	1913493-00	74S241 OCTAL BUFFER,TRI-STA	1	E23
28	29	1913777-00	LS240 DRIVER,LINE,OCTAL,T	1	E32
29	30	1914214-00	LS374 FF-D OCTAL EDGE TRIG	8	E7,E8,E17,E24,E35,E40,E44,E45
30	31	1915193-00	LS244 DRIVER,LINE,OCTAL,T	12	E3,E4,E6,E11,E12,E15,E19,E20,

REVISION HISTORY		BASIC PART NO: M8049		DRN:	A. KRAWIECKI	DATE:	08-JUN-79	DIGITAL			
ENG	ECO NUMBER	REV	SECTION A OF A	CHK'D:	KENT GLEEZEN	DATE:	26-JUL-79	PARTS LIST			
---	INITIAL	A	SECTION.VARIATION INDEX					DRV11-J			
			[A] 00								
			[B]								
			[C]	DES.ENG:	R. HULTMAN	DATE:	26-JUL-79				
			[D]								
			[E]								
			[F]	RESP.ENG.:	RICH HULTMAN	DATE:	26-JUL-79	DOCUMENT NUMBER			
			[G]					SIZE	CODE	NUMBER	REV
			[H]								
			[J]								
			[K]	MFG.ENG.:	AL JOHNS	DATE:	26-JUL-79	K	PL	M8049-0-DBP	A
			[L]								
			[M]	ASSEMBLY NUMBER:		TOP DOCUMENT NUMBER:		FILE NAME:		EDIT #	
			[N]	I-UA-M8049-0-0				Z0222.PLS		10	

"THIS DRAWING AND SPECIFICATIONS HEREIN, ARE THE PROPERTY OF DIGITAL EQUIPMENT CORPORATION AND SHALL NOT BE REPRODUCED OR COPIED OR USED IN WHOLE OR IN PART AS THE BASIS FOR THE MANUFACTURE OR SALE OF ITEMS WITHOUT WRITTEN PERMISSION. COPYRIGHT (C) 1979. DIGITAL EQUIPMENT CORPORATION "

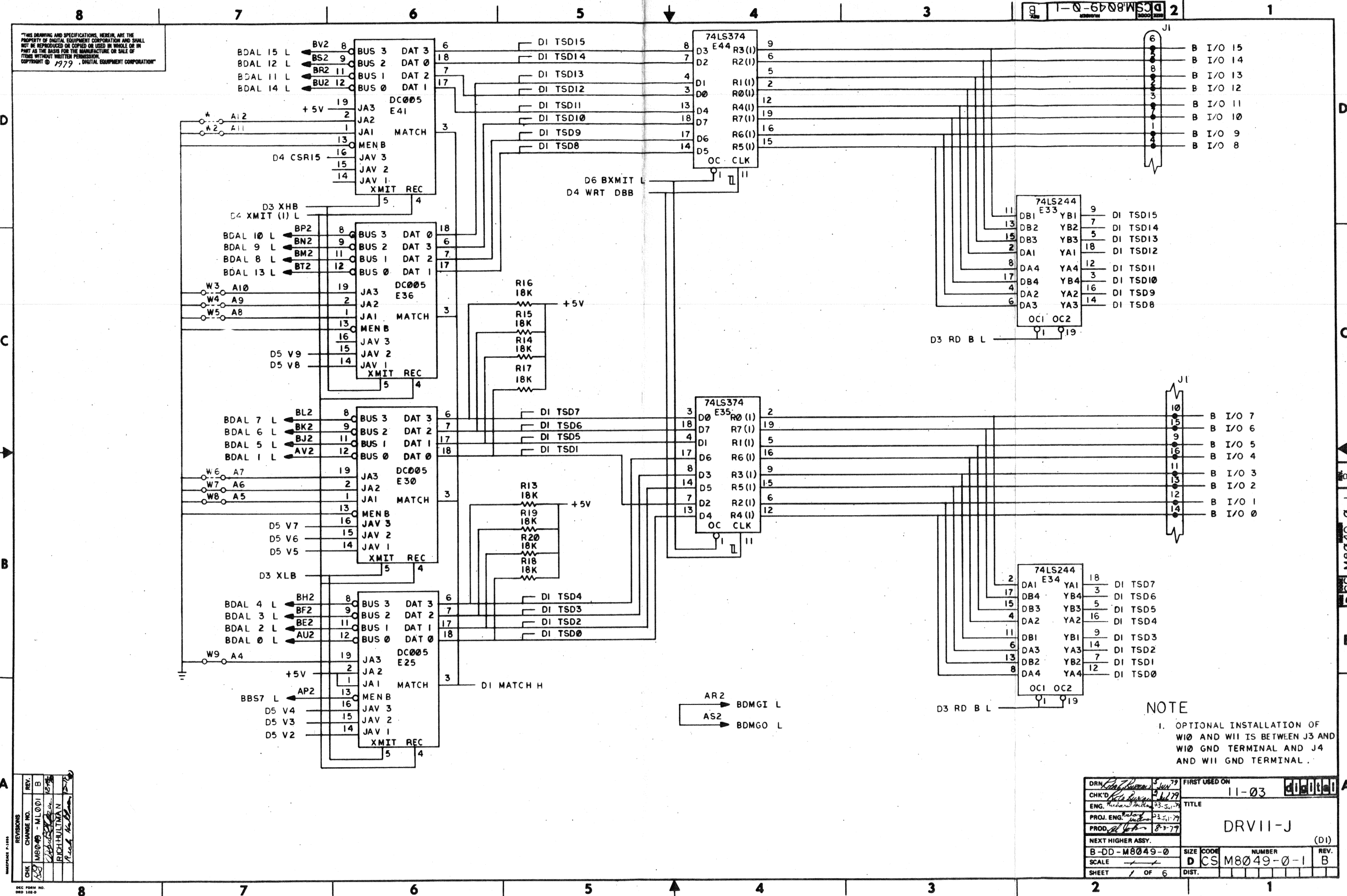
AUTOMATED BY PRTLST.3K(26)

PARTS LIST

LINE ITEM	DOCUMENT NUMBER	PART NUMBER	DESCRIPTION	QTY PER VARIATION 00	REFERENCE DESIGNATOR
					CONT E29,E33,E34,E39
31	32	1912730-00	DC 003 INTERRUPT,2 CIRCUIT	1	E9
32	33	2117004-00	AM9519PCUNIVERSAL INTERRUPT	2	E2,E10
33	34	9006732-00	EYELET, ROLLED FLANGE, .121 OD X	2	
34	37	1215006-04	SOCKET 20PIN IC LOW PROFILE	1	XE9
35	38	1910406-00	75451 DRIVER,PERIPH,DUAL,	1	E38
36	39	1304855-00	9.09 K 1/4W 1% RN55D-F 100PPM	1	R7
37	40	1302465-00	18 K 1/4W 5% CC	8	R13-R20

D I G I T A L										TITLE										SECTION A OF A										SIZE CODE										DOCUMENT NUMBER										REV									
										DRV11-J																				K PL										M8049-0-DBP										A									

THIS DRAWING AND SPECIFICATIONS, HEREIN, ARE THE PROPERTY OF DIGITAL EQUIPMENT CORPORATION AND SHALL NOT BE REPRODUCED OR COPIED OR USED IN WHOLE OR IN PART AS THE BASIS FOR THE MANUFACTURE OR SALE OF ITEMS WITHOUT WRITTEN PERMISSION.  
 COPYRIGHT © 1979, DIGITAL EQUIPMENT CORPORATION

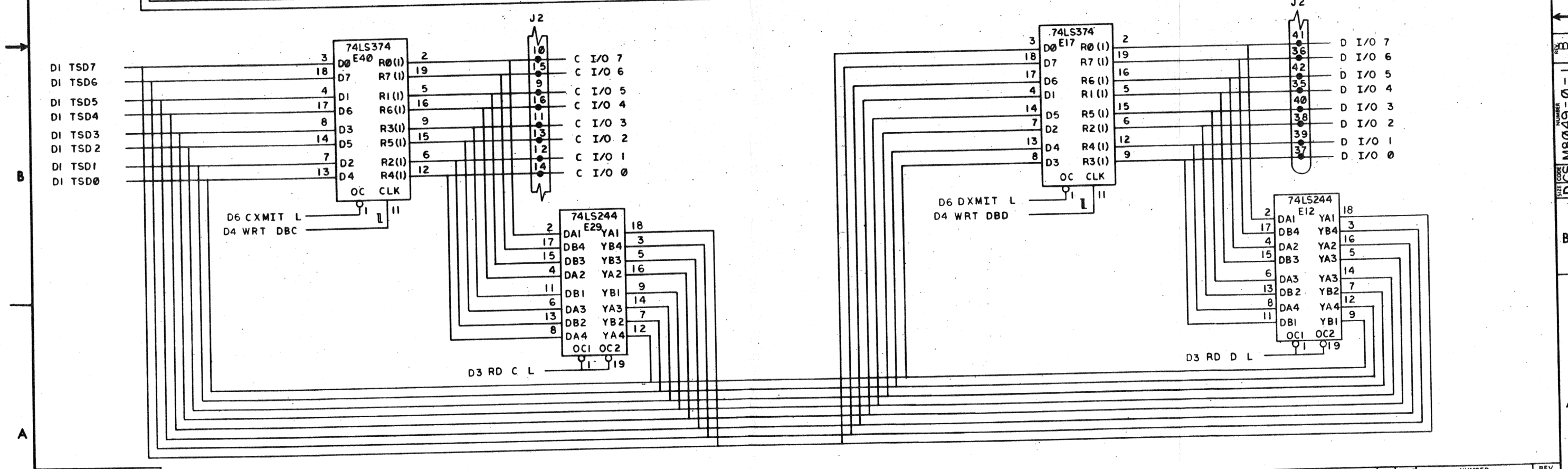
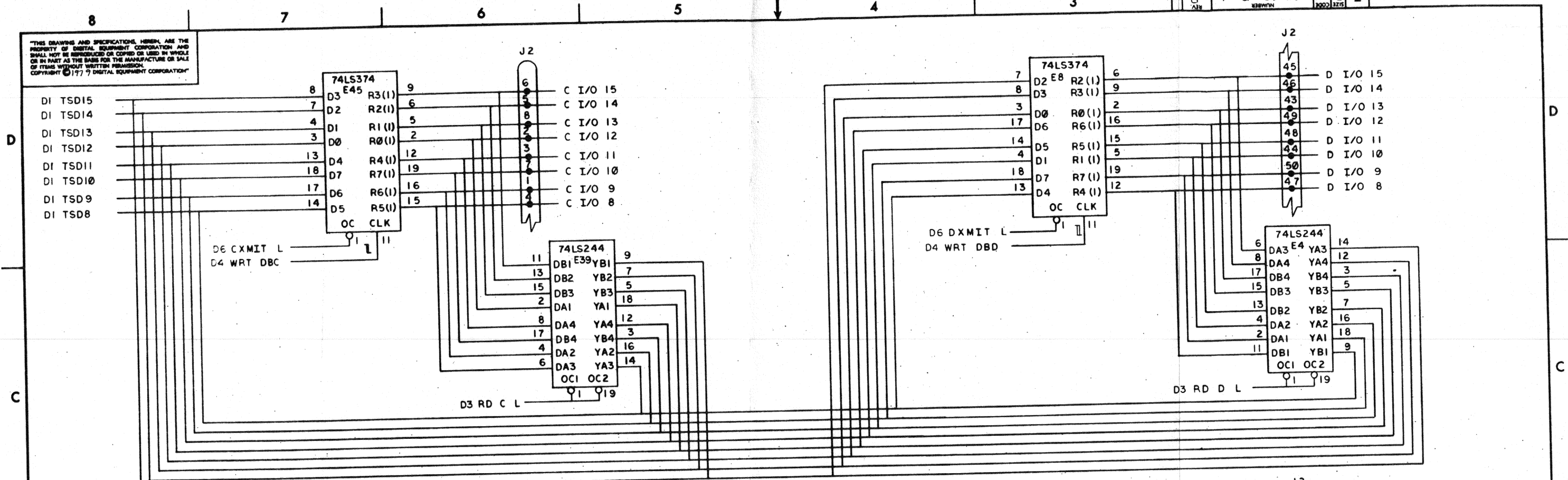


**NOTE**  
 1. OPTIONAL INSTALLATION OF W10 AND W11 IS BETWEEN J3 AND W10 GND TERMINAL AND J4 AND W11 GND TERMINAL.

REV.	CHG.	BY	DATE
1	M8049	ML001 B	
2		RICHLI	
3		RICHLI	

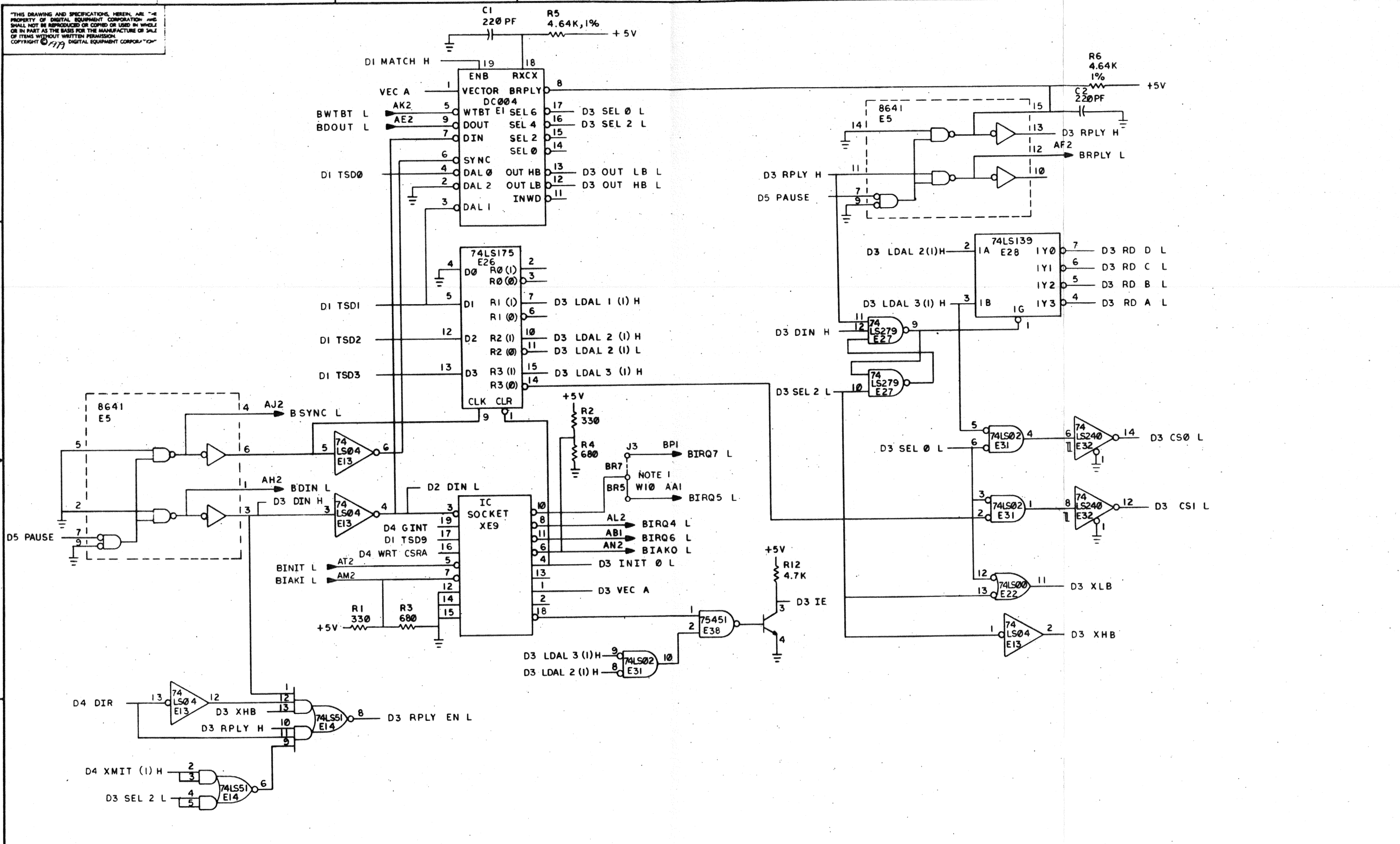
DRN	3 Jun 79	FIRST USED ON	11-03	<b>digital</b>
CHK'D	5 Jul 79	TITLE	DRVII-J	
ENG.	Richard Miller	DATE		
PROJ. ENG.	23 Jul 79	SCALE		
PROD.	8-3-79	SHEET	1	OF 6
NEXT HIGHER ASSY.		SIZE	D	CS
B-DD-M8049-0		NUMBER	M8049-0-1	REV. B
SCALE		DIST.		

THIS DRAWING AND SPECIFICATIONS HEREIN ARE THE PROPERTY OF DIGITAL EQUIPMENT CORPORATION AND SHALL NOT BE REPRODUCED OR COPIED OR USED IN WHOLE OR IN PART AS THE BASIS FOR THE MANUFACTURE OR SALE OF ITEMS WITHOUT WRITTEN PERMISSION. COPYRIGHT © 1977 DIGITAL EQUIPMENT CORPORATION



REVISIONS			TITLE	SIZE CODE	NUMBER	REV.
CHK	CHANGE NO.	REV.	DRVII - J (D2)	DCS M8049-0-1	2	B
			SCALE	SHEET 2 OF 6	DIST.	

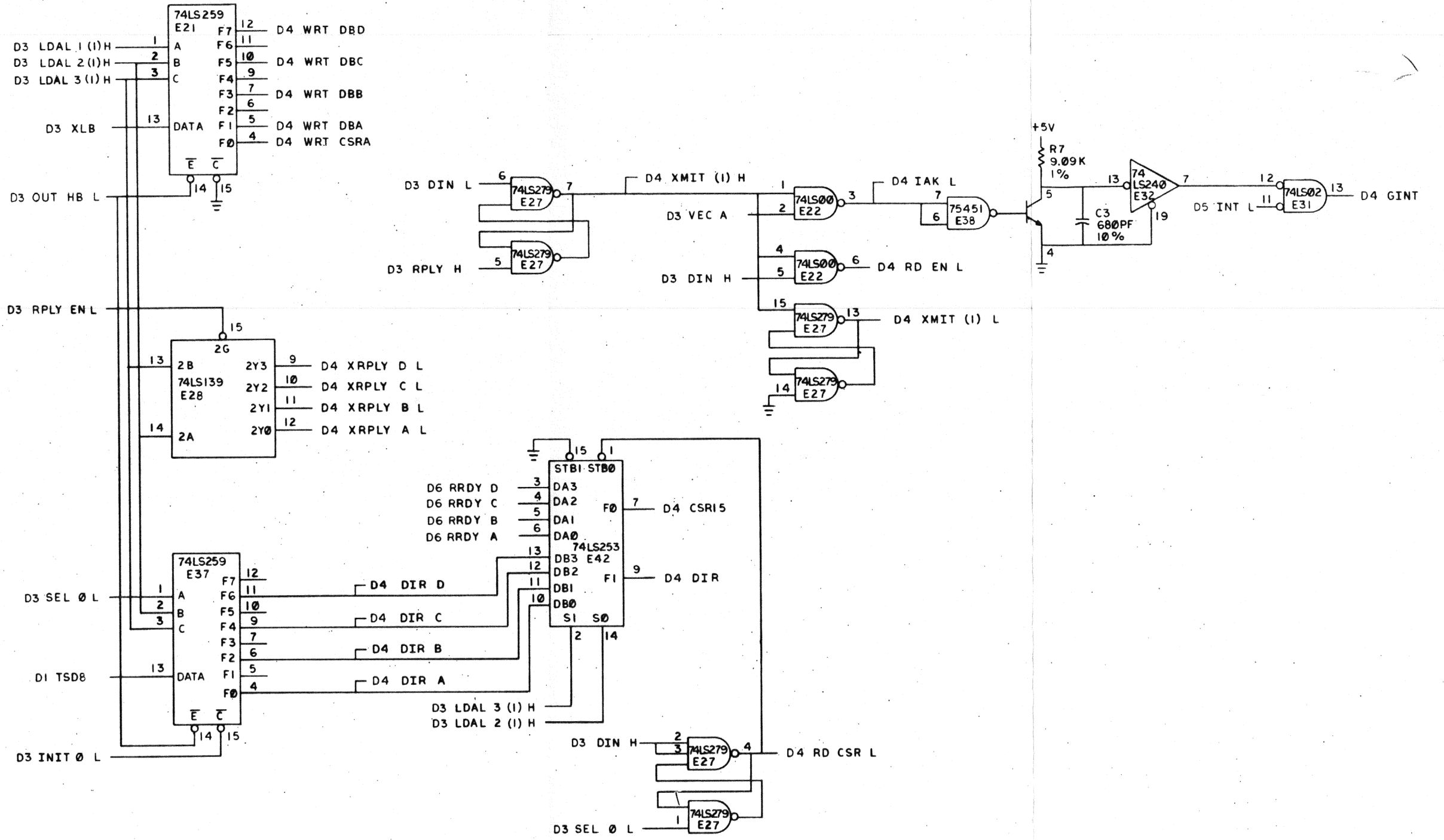
THIS DRAWING AND SPECIFICATIONS HEREON ARE THE PROPERTY OF DIGITAL EQUIPMENT CORPORATION AND SHALL NOT BE REPRODUCED OR COPIED OR USED IN WHOLE OR IN PART AS THE BASIS FOR THE MANUFACTURE OR SALE OF ITEMS WITHOUT WRITTEN PERMISSION.  
 COPYRIGHT © 1977 DIGITAL EQUIPMENT CORPORATION



REVISIONS		
CHK	CHANGE NO.	REV.

THIS DRAWING AND SPECIFICATIONS HEREIN ARE THE PROPERTY OF DIGITAL EQUIPMENT CORPORATION AND SHALL NOT BE REPRODUCED OR COPIED IN WHOLE OR IN PART AS THE BASIS FOR THE MANUFACTURE OR SALE OF ITEMS WITHOUT WRITTEN PERMISSION. COPYRIGHT © 1977 DIGITAL EQUIPMENT CORPORATION

1-0-6708WSD 2



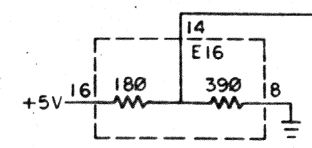
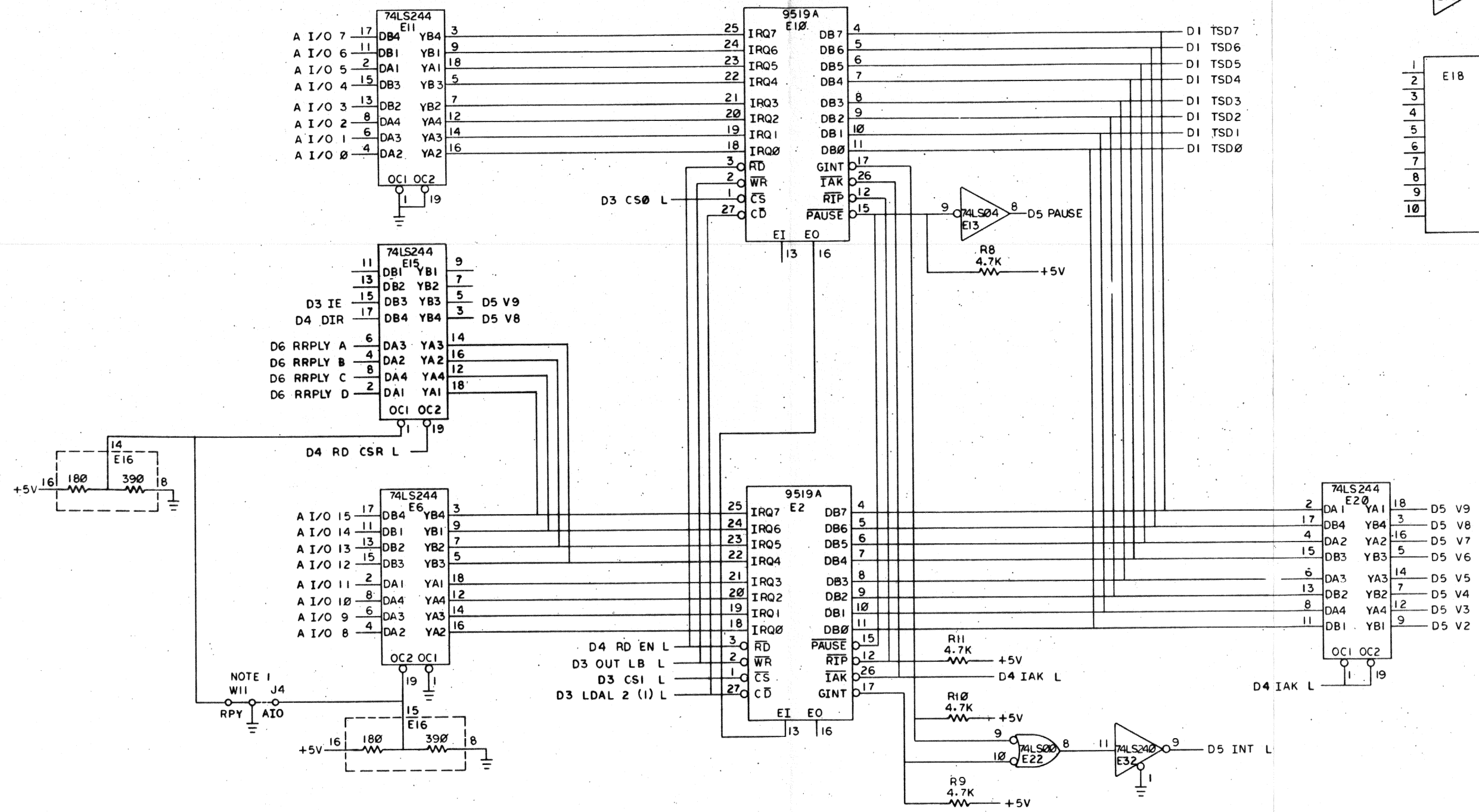
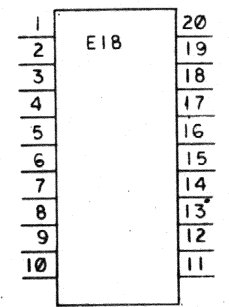
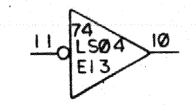
REVISIONS		
CHK	CHANGE NO.	REV.

TITLE	DRVII - J (D4)	SIZE CODE	DCS	NUMBER	M8049-0-1	REV.	B
SCALE	1/1	SHEET	4	OF	6	DIST.	

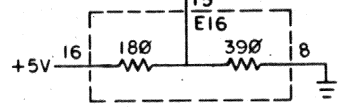
SIZE CODE NUMBER REV. B  
 DCS M8049-0-1

THIS DRAWING AND SPECIFICATIONS, HEREIN, ARE THE PROPERTY OF DIGITAL EQUIPMENT CORPORATION AND SHALL NOT BE REPRODUCED OR COPIED IN WHOLE OR IN PART AS THE BASIS FOR THE MANUFACTURE OR SALE OF ITEMS WITHOUT WRITTEN PERMISSION. COPYRIGHT © 1977 DIGITAL EQUIPMENT CORPORATION

SPARES



NOTE 1  
W11 J4  
RPY AIO



REVISIONS		
CHK	CHANGE NO.	REV.

"THIS DRAWING AND SPECIFICATIONS HEREBY ARE THE PROPERTY OF DIGITAL EQUIPMENT CORPORATION AND SHALL NOT BE REPRODUCED OR COPIED IN WHOLE OR IN PART AS THE BASIS FOR THE MANUFACTURE OR SALE OF ITEMS WITHOUT WRITTEN PERMISSION. COPYRIGHT © 1979 DIGITAL EQUIPMENT CORPORATION"

D

C

B

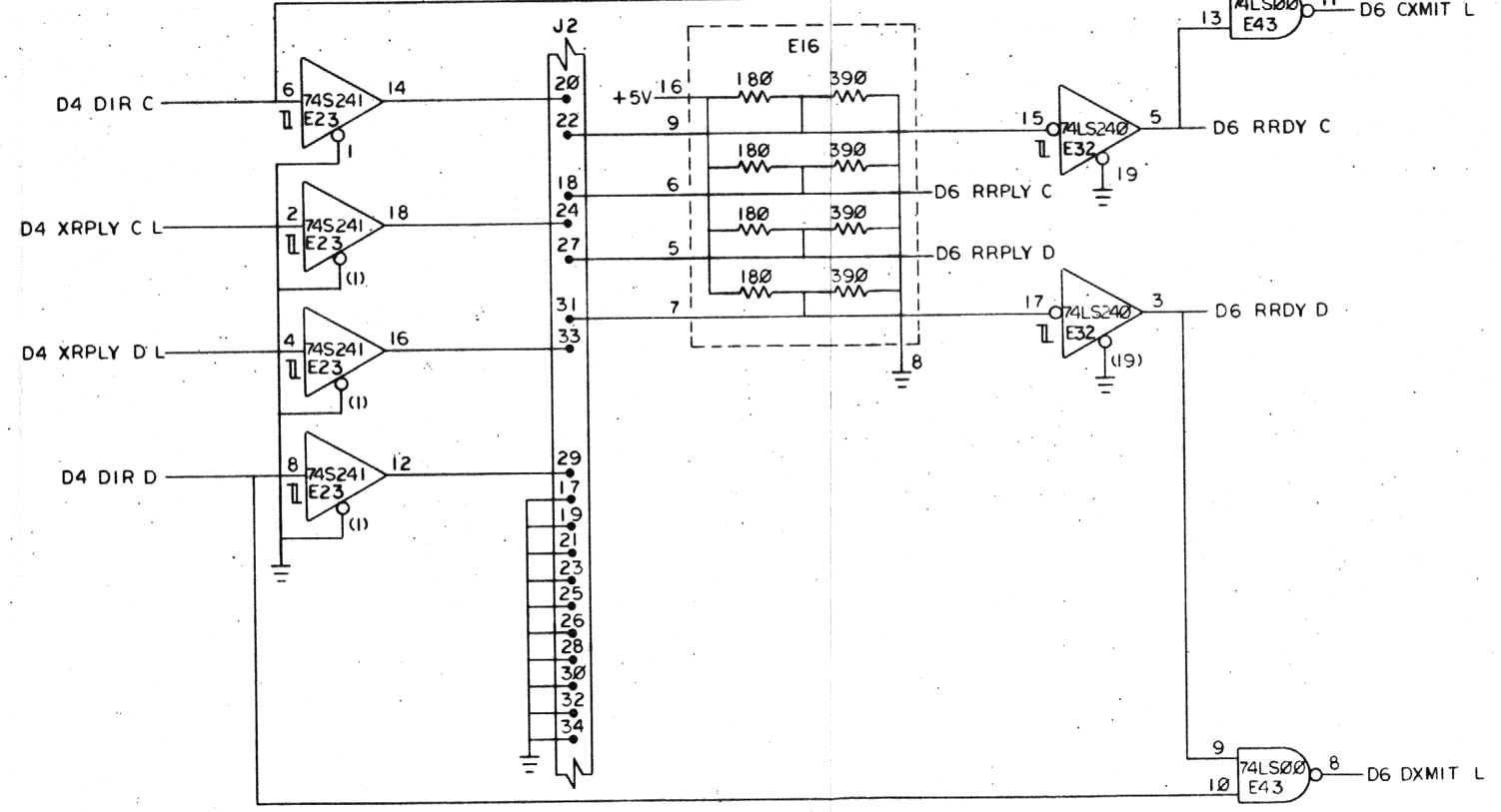
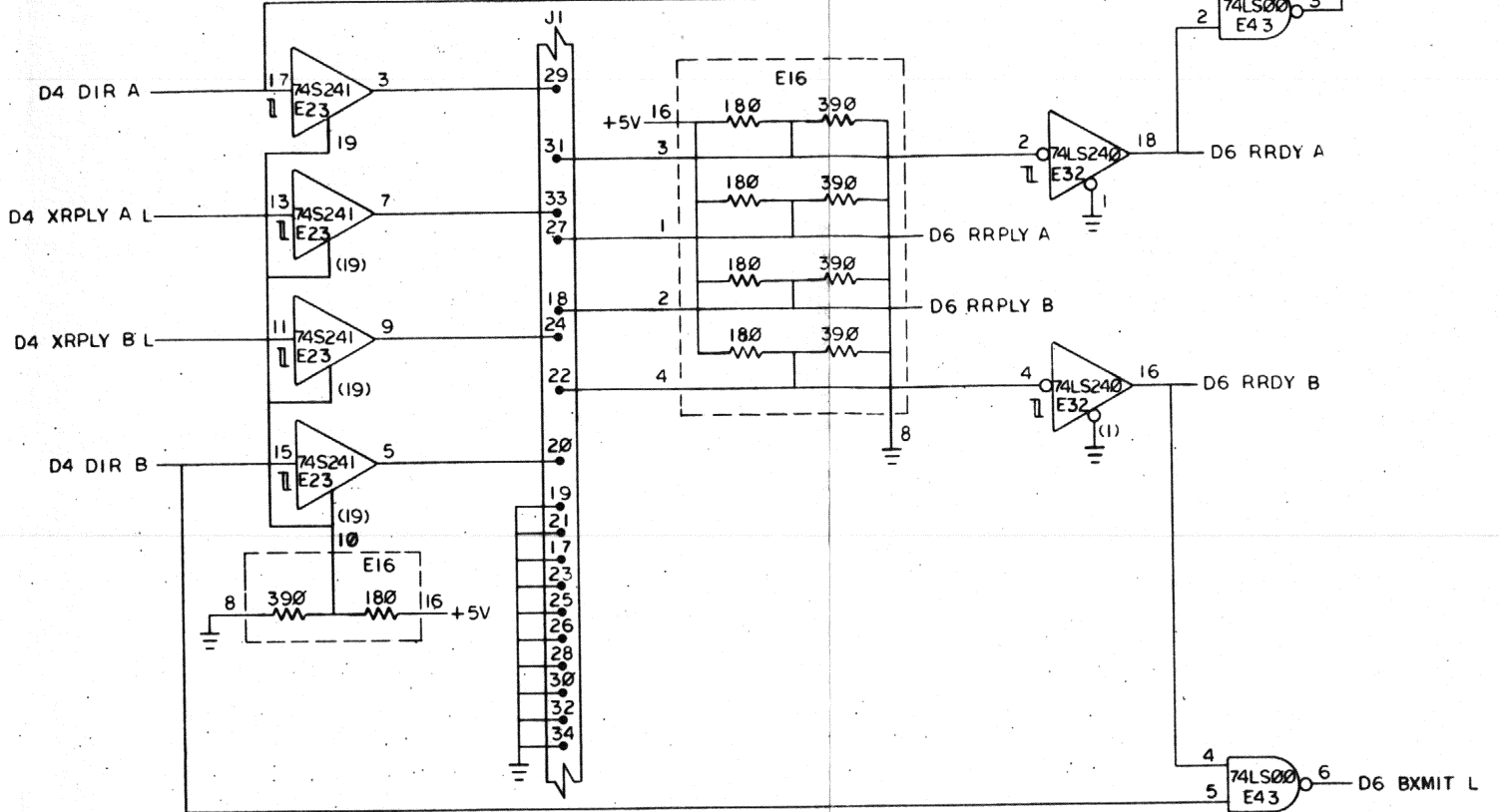
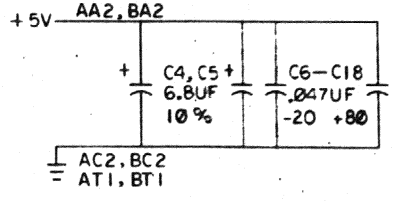
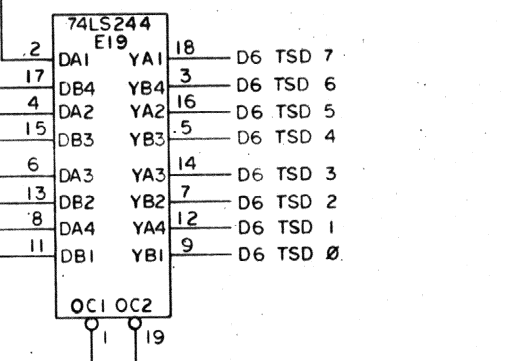
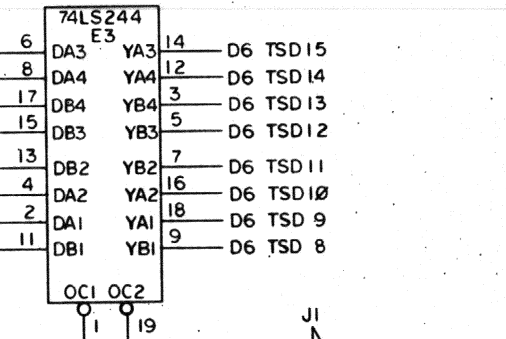
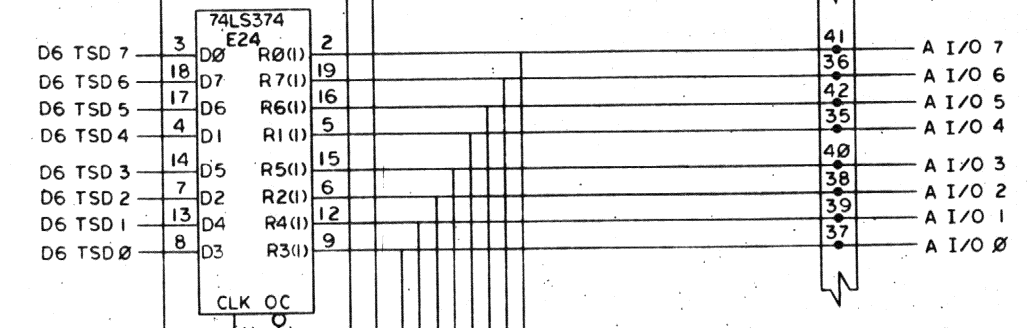
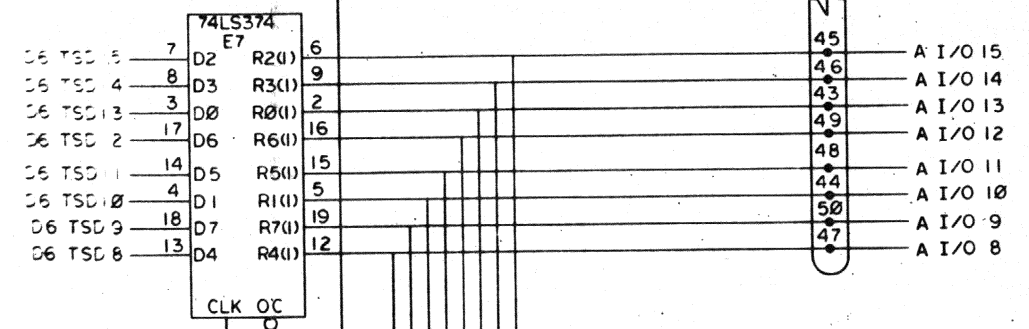
A

D

C

B

A



REVISIONS		
CHK	CHANGE NO.	REV.

TITLE	DRVII-J	SIZE CODE	(D6)	NUMBER	DCS M8049-0-1	REV.	B
SCALE	1:1	SHEET	6	OF	6	DIST.	