

"THE MATERIAL HEREIN IS FOR INFORMATION PURPOSES ONLY AND IS SUBJECT TO CHANGE WITHOUT NOTICE. DIGITAL EQUIPMENT CORPORATION ASSUMES NO RESPONSIBILITY FOR ANY ERRORS WHICH MAY APPEAR HEREIN."

FIELD MAINTENANCE
PRINT SET

"THIS DRAWING AND SPECIFICATIONS, HEREIN, ARE THE PROPERTY OF DIGITAL EQUIPMENT CORPORATION AND SHALL NOT BE REPRODUCED OR OR COPIED OR USED IN WHOLE OR IN PART AS THE BASIS FOR THE MANUFACTURE OR SALE OF ITEMS WITHOUT WRITTEN PERMISSION. COPYRIGHT (C) 1983 DIGITAL EQUIPMENT CORPORATION"

TABLE OF CONTENTS

B-TC-VT220-0-1	VT220 TABLE OF CONTENTS
B-DD-VT220-0	VT220 DRAWING DIRECTORY
E-UA-VT220-0-0	VT220 UNIT ASSY
K-PL-VT220-0-DBP	VT220 UNIT ASSY (P.L)
B-DD-5415653-0	TERMINAL CONTROLLER BD D/D
D-UA-5415653-0-0	TERMINAL CONTROLLER BD UNIT ASSY
K-PL-5415653-0-DBP	TERMINAL CONTROLLER BD P/L
D-CS-5415653-0-1	TERMINAL CONTROLLER BD CIRCUIT SCHEMATICS
B-DD-5415651-0	POWER SUPPLY/MONITOR BD D/D
D-UA-5415651-0-0	POWER SUPPLY/MONITOR BD UNIT ASSY
K-PL-5415651-0-DBP	POWER SUPPLY/MONITOR BD P/L
D-CS-5415651-0-1	POWER SUPPLY/MONITOR BD CIRCUIT SCHEMATICS
D-AD-7020780-0-0	YOKE ASSY
K-PL-7020780-0-DBP	YOKE ASSY P/L
D-AD-7020814-0-0	PCB BEZEL ASSY
K-PL-7020814-0-DBP	PCB BEZEL ASSY P/L
MP01395-01	PRINT SET LK201

UNIT VARIATIONS COVERED BY THIS PRINT SET
VT220-A
VT220-B
VT220-C
VT220-A2
VT220-B2
VT220-C2
VT220-A3
VT220-B3
VT220-C3

VT220
FIELD MAINTENANCE
PRINT SET

DIGITAL EQUIPMENT
CORPORATION

PRINT SET PART NUMBER MP01732-01

REVISION HISTORY		USED ON OPTION/MODEL	RESPONSIBLE ENG. :	d i g i t a l			
ENG	ECO NUMBER	REV	DATE :	TITLE FIELD MAINTENANCE PRINT SET			
	INITIAL REL	A	MADE BY : J. DEVIN DATE : 7/20/83	VT220			
GW	VT220-TA003	B	CHECKED BY : J. DEVIN DATE :				
			PROJECT ENGINEER : S.F. TSAI DATE :				
			FIELD SERVICE : D. SANBORN DATE :	SIZE	CODE	DOCUMENT NUMBER	REV.
				B	TC	VT220-0-1	B
				SHEET 1 OF 1	EDIT # 0001		

BPOI

1. The first part of the document discusses the importance of maintaining accurate records of all transactions. It emphasizes that this is crucial for the company's financial health and for providing reliable information to stakeholders.

2. The second part of the document outlines the specific procedures for recording transactions. It details the steps from identifying a transaction to entering it into the accounting system, ensuring that all necessary details are captured.

PROCEDURES FOR RECORDING TRANSACTIONS

3. The third part of the document describes the various methods used to record transactions, including journalizing and posting. It explains how these methods help in organizing and summarizing the company's financial activities.

4. The fourth part of the document discusses the importance of double-checking records to ensure accuracy. It highlights the potential consequences of errors and provides tips for minimizing them.

5. The fifth part of the document covers the role of the accounting department in maintaining records. It discusses the responsibilities of accountants and the importance of clear communication within the department.

6. The sixth part of the document discusses the use of technology in recording transactions. It explores how software solutions can streamline the process and reduce the risk of human error.

7. The seventh part of the document discusses the importance of regular audits. It explains how audits help in identifying discrepancies and ensuring that the records are accurate and complete.

8. The eighth part of the document discusses the importance of keeping records for a long period. It explains the legal requirements and the benefits of having a comprehensive history of the company's financial activities.

9. The ninth part of the document discusses the importance of maintaining records in a secure and accessible manner. It provides recommendations for data storage and backup procedures.

10. The tenth part of the document discusses the importance of training staff on the correct procedures for recording transactions. It emphasizes that proper training is essential for ensuring the accuracy and reliability of the records.

11. The eleventh part of the document discusses the importance of maintaining records for tax purposes. It explains how accurate records are necessary for preparing tax returns and for responding to tax authorities.

12. The twelfth part of the document discusses the importance of maintaining records for legal purposes. It explains how records can be used as evidence in legal proceedings and for resolving disputes.

13. The thirteenth part of the document discusses the importance of maintaining records for internal control. It explains how records help in identifying areas of weakness and in improving the company's internal control system.

14. The fourteenth part of the document discusses the importance of maintaining records for financial analysis. It explains how records provide the data needed for analyzing the company's financial performance and for making informed decisions.

15. The fifteenth part of the document discusses the importance of maintaining records for reporting purposes. It explains how records are used to generate financial statements and other reports that provide a clear picture of the company's financial health.

16. The sixteenth part of the document discusses the importance of maintaining records for compliance purposes. It explains how records help in ensuring that the company is complying with applicable laws and regulations.

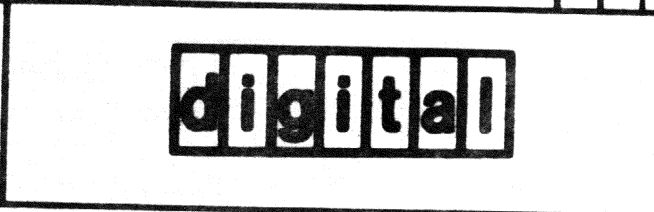
DRAWING NO.	NO. OF SHTS.	PART NO.	DESCRIPTION	REVISIONS																		
				1	2	3	4	5	6	7	8	9	10	11	12							
		VT220-A	BOUNDED CONVERSATIONAL TEXT	A1	A1	A1	A1	A1														
			TERMINAL, WHT PHOSPHOR, NEEDS																			
			VT22K COUNTRY KIT																			
		VT220-B	VT220-A EXCEPT GRN PHOSPHOR	A1	A1	A1	A1	A1														
		VT220-C	VT220-A EXCEPT AMBER PHOSPHOR	A1	A1	A1	A1	A1														
		VT220-A2	VT220-A EXCEPT 120V ONLY					A1	A1													
		VT220-B2	VT220-B EXCEPT 120V ONLY					A1	A1													
		VT220-C2	VT220-C EXCEPT 120V ONLY					A1	A1													
		VT220-A3	VT220-A EXCEPT 240V ONLY					A1	A1													
		VT220-B3	VT220-B EXCEPT 240V ONLY					A1	A1													
		VT220-C3	VT220-C EXCEPT 240V ONLY					A1	A1													
B-TC-VT220-0-1			FIELD MAINT PRINT SET			A	A	A	B	B												
		MP01732-01	PRINT SET			R	R	R	R	R	R	R	R	R	R	R	R	R	R	R	R	R
E-UA-VT220-0-0			UNIT ASSY			A	A	A	B	B												
K-PL-VT220-DBP			PART LIST			A	B	C	D	D												
K-SP-VT220-0-02	555		ENGINEERING SPEC			A	B	B	B	C												

NOTES:

REVISIONS		DATE	CHG NO.	REV.
	INT REL			A
	TA-001	3-4		B
	TA-002	8-31		C
	TA-003	10-23		D
	TA006	3-26		E

"THIS DRAWING AND SPECIFICATIONS, HEREIN, ARE THE PROPERTY OF DIGITAL EQUIPMENT CORPORATION AND SHALL NOT BE REPRODUCED OR COPIED OR USED IN WHOLE OR IN PART AS THE BASIS FOR THE MANUFACTURE OR SALE OF ITEMS WITHOUT WRITTEN PERMISSION.

COPYRIGHT © 1983 DIGITAL EQUIPMENT CORPORATION

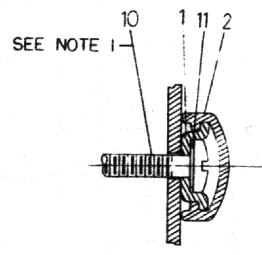
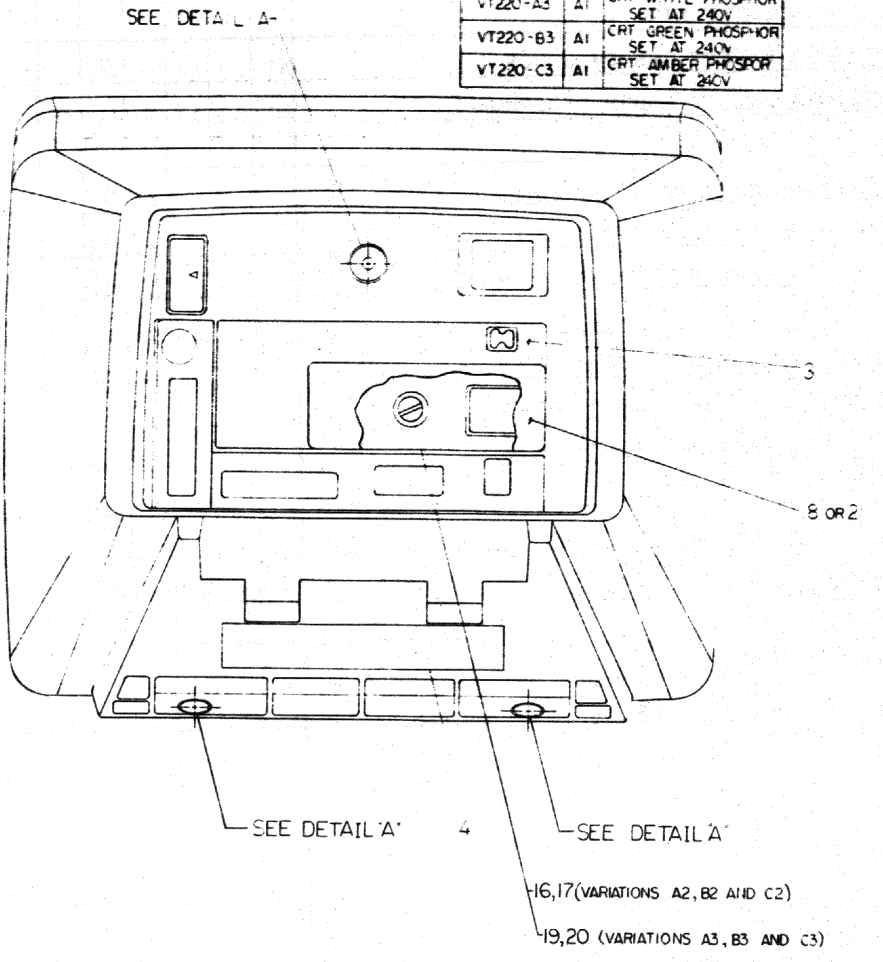
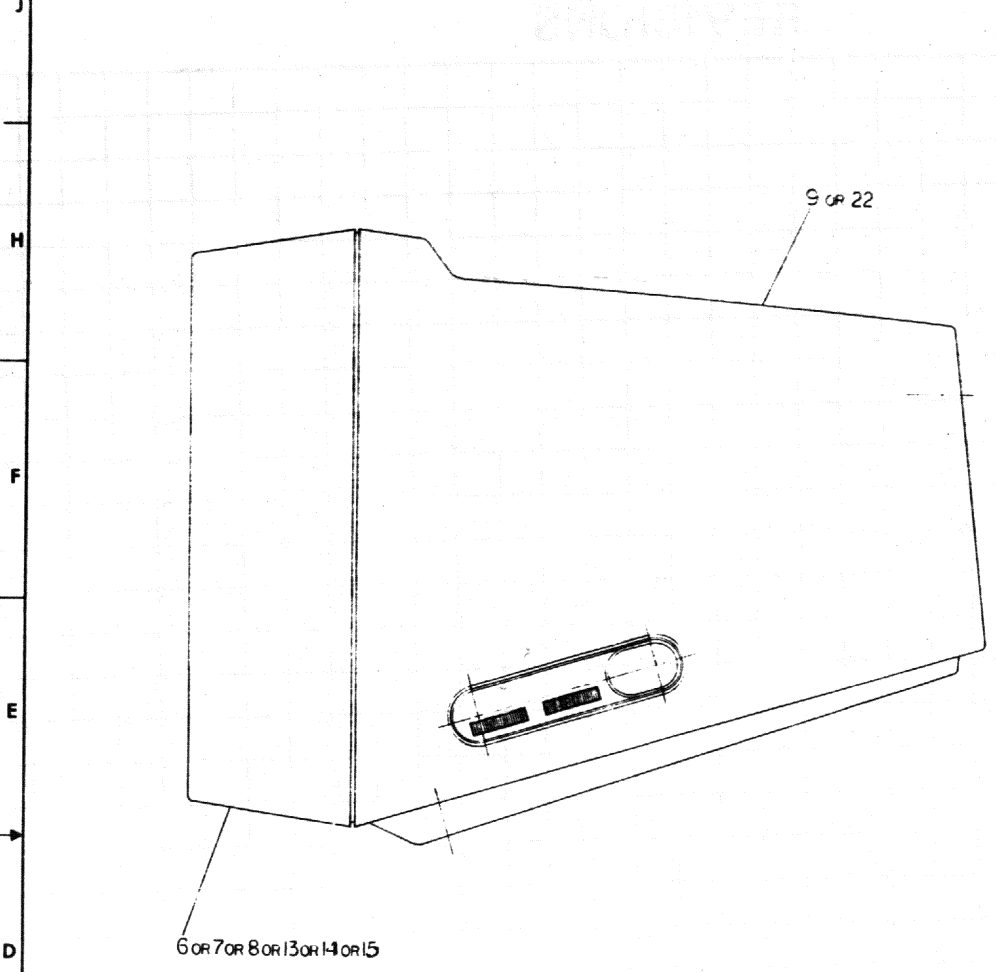


USED ON OPTION/MODEL	DRN.	L. JEAN	5/20/83	TITLE	VT220 UNIT ASSY
VT220	CHK'D	L. JEAN	5/20/83	SIZE	B DD
	ENG.	H.T. CHO	5/20/83	CODE	DD
	PROD.	J.A. WU	8/23/83	NUMBER	VT220-0
				REV.	E
				SHEET	1 OF 1

1982 DATA SHEET COMPANION

VARIATION	REV	DESCRIPTION
VT220-A	A1	CRT WHITE PHOSPHOR
VT220-B	A1	CRT GREEN PHOSPHOR
VT220-C	A1	CRT AMBER PHOSPHOR
VT220-A2	A1	CRT WHITE PHOSPHOR SET AT 120V
VT220-B2	A1	CRT GREEN PHOSPHOR SET AT 120V
VT220-C2	A1	CRT AMBER PHOSPHOR SET AT 120V
VT220-A3	A1	CRT WHITE PHOSPHOR SET AT 240V
VT220-B3	A1	CRT GREEN PHOSPHOR SET AT 240V
VT220-C3	A1	CRT AMBER PHOSPHOR SET AT 240V

NOTES:
1 TORQUE ITEM 9 TO 40 IN-LBS.



DETAIL 'A'
SCALE: NONE
3 PLACES

CAUTION: OFF SHEET PARTS LIST EXIST
SEE K-PL-VT220-0-DBP (27132)

REV. 11-5-80
S.E. TSAI
K.L. SHEN

DESCRIPTION	DRAWING NO.	PART NO.	REV.
UNIT ASSY	B-DD-VT220-0	EJA-VT220-0-0	B
QUANTITY & VARIATION	FIRST USED ON	DESIGNER: K.L. SHEN CHECKED: S.E. TSAI DATE: 4-DEC-82 TITLE: UNIT ASSY	
THIRD ANGLE PROJECTION DO NOT SCALE DRAWING REMOVE BLURS AND BREAK SHARP CORNERS		MATERIAL: # FINISH: #	

AUTOMATED BY PRTLST.4Q(50)

PARTS LIST

SHEET A1 OF A1

LINE	ITEM	TOP DOCUMENT	PART NUMBER	MIN REV	DESCRIPTION	QTY PER VARIATION								
						A1	B1	C1	A2	B2	C2	A3	B3	C3
1	1		1220292-02		WASHER,CUP	3	3	3	3	3	3	3	3	3
2	2		1220293-02		CAP,SNAP OFF FOR 12-20292-02	3	3	3	3	3	3	3	3	3
3	3		3621646-01		LABEL,ELECTRICAL DATA,VT220	1	1	1	1	1	1	1	1	1
4	4		3621647-02		LABEL,REGULATORY VT220 FCC ID	1	1	1	1	1	1	1	1	1
5	5	A-PA-3700734-0-0	3700734-01		PKG TERMINAL VT220-A (CUS)	REF	REF	REF	REF	REF	REF	REF	REF	REF
6	6	E-AD-7020622-0-0	7020622-01		BEZEL ASSY	1	-	-	-	-	-	-	-	-
7	7	E-AD-7020622-0-0	7020622-02		BEZEL ASSY	-	1	-	-	-	-	-	-	-
8	8	E-AD-7020622-0-0	7020622-03		BEZEL ASSY.	-	-	1	-	-	-	-	-	-
9	9	E-AD-7020625-0-0	7020625-01		REAR COVER ASSY	1	1	1	-	-	-	-	-	-
10	10		9006039-01		SCREW,MACH PAN PHIL	3	3	3	3	3	3	3	3	3
11	11		9006660-00		WASHER,FLAT	3	3	3	3	3	3	3	3	3
12	12	B-DD-VT22K-0			VT220 COUNTRY KITS WITH LK201	REF	REF	REF	REF	REF	REF	REF	REF	REF
13	13	E-AD-7020622-0-0	7020622-07		BEZEL ASSY	-	-	-	1	-	-	1	-	-
14	14	E-AD-7020622-0-0	7020622-08		BEZEL ASSY.	-	-	-	-	1	-	-	1	-
15	15	E-AD-7020622-0-0	7020622-09		BEZEL ASSY.	-	-	-	-	-	1	-	-	1
16	16		9007215-00		FUSE,REG BLO 2 A,250V GLASS	-	-	-	1	1	1	-	-	-
17	17		1221126-03		FUSE CARRIER 3AG FUSE	-	-	-	1	1	1	-	-	-
18	18		3617905-16		LABEL,WARNING EQUIP. RATING,100-	-	-	-	1	1	1	-	-	-
19	19		1219285-03		FUSE, 2A 250V, LOW BREAKING C	-	-	-	-	-	-	1	1	1
20	20		1221126-04		FUSE CARRIER 5X20 MM FUSE	-	-	-	-	-	-	1	1	1
21	21		3617905-17		LABEL,WARNING EQUIP. RATING,220-	-	-	-	-	-	-	1	1	1
22	22	E-AD-7020625-0-0	7020625-02		REAR COVER ASSY.	-	-	-	1	1	1	1	1	1

REVISION HISTORY		BASIC PART NO: VT220		DRN: K. SHEN	DATE: 1-JUL-83	D I G I T A L		
ENG	ECO NUMBER	REV	SECTION A OF A	CHK'D: S. TSAI	DATE: 19-AUG-83	TITLE PARTS LIST		
	INITIAL	A	SECTION VARIATION INDEX	DES.ENG: K. SHEN	DATE: 1-JUL-83	DOCUMENT NUMBER		
GW	VT220-TA001	B	(A)A ,B ,C ,A2,B2,C2,	RESP.ENG.: S. TSAI	DATE: 19-AUG-83	SIZE: K	CODE: PL	NUMBER: VT220-0-DBP
GW	VT220-TA002	C	A3,B3,C3	MFG.ENG.: G. WU	DATE: 19-AUG-83	RELEASE DATE: 06-NOV-84		
GW	VT220-TA003	D	(B)	ASSEMBLY NUMBER:	TOP DOCUMENT NUMBER:	FILE NAME:	EDIT #	
		(C)	(D)	E-UA-VT220-0-0	#B-DD-VT220-0	Z7132D.PLS	9	
		(E)	(F)	THIS DRAWING AND THE SPECIFICATIONS CONTAINED HEREIN ARE CONFIDENTIAL AND PROPRIETARY. THEY ARE THE PROPERTY OF DIGITAL EQUIPMENT CORPORATION AND SHALL NOT BE REPRODUCED OR COPIED OR USED IN WHOLE OR IN PART AS THE BASIS FOR THE MANUFACTURE OR SALE OF ITEMS WITHOUT WRITTEN PERMISSION. THIS IS AN UNPUBLISHED WORK PROTECTED UNDER THE FEDERAL COPYRIGHT LAWS.				

DRAWING NO.	NO OF SHTS.	PART NO.	DESCRIPTION	REVISIONS																
				A1	A1	B1	C1	C2	D1	D2	E1	E2	E3	E4	E3	E4	F1	F2	H1	H2
		5415653-01	VT220 TERMINAL CONT. W/ V1.1	A1	A1	B1	C1	C2	D1	D2	E1	E2	E3	E4	E3	E4	F1	F2	H1	H2
D-UA-5415653-0-0	1		VT220 TERMINAL CONT. UNIT ASSY.	A	B	C	D	C1	E	D1	E	D1	F	E1	H	F1	J	H1	J	J1
D-CS-5415653-0-1	6		VT220 TERMINAL CONT. SCHEMATIC	A	B	C	C	C1	D	D1	D	D1	E	E1	E	E1	F	F1	H	H1
K-PL-5415653-0-DBP	3		VT220 TERMINAL CONT. PARTS LIST	A	B	C	C	-	D	-	E	-	F	-	H	-	J	-	K	-
K-PL-5415653-0-DBP1	3		VT220 TERMINAL CONT. PARTS LIST	-	-	-	-	C1	-	D1	-	E1	-	F1	-	H1	-	J1	-	K1
		5015652-01	ETCHED CIRCUIT BOARD	A1	A1	A1	B1	A1	B1	A1	B1	A1	B1	A1	B1	A1	B1	A1	B1	A1
B-DD-5015652-0-0	1		DRAWING DIRECTORY	A	B	B	C	C	C	C	C	C	C	C	C	C	C	C	C	C
		5415653-02	VT220 TERMINAL CONT. W/ V2.0	-	-	-	-	-	-	-	-	-	-	-	A1	A2	B1	B2	C1	C2
D-UA-5415653-0-0	1		VT220 TERMINAL CONT. UNIT ASSY.	-	-	-	-	-	-	-	-	-	-	-	H	F1	J	H1	J	J1
D-CS-5415653-0-1	6		VT220 TERMINAL CONT. SCHEMATIC	-	-	-	-	-	-	-	-	-	-	-	E	E1	F	F1	H	H1
K-PL-5415653-0-DBP	3		VT220 TERMINAL CONT. PARTS LIST	-	-	-	-	-	-	-	-	-	-	-	H	-	J	-	K	-
K-PL-5415653-0-DBP1	3		VT220 TERMINAL CONT. PARTS LIST	-	-	-	-	-	-	-	-	-	-	-	-	H1	-	J1	-	K1
		5015652-01	ETCHED CIRCUIT BOARD	-	-	-	-	-	-	-	-	-	-	-	B1	A1	B1	A1	B1	A1
B-DD-5015652-0-0	1		DRAWING DIRECTORY	-	-	-	-	-	-	-	-	-	-	-	C	C	C	C	C	C

NOTES:

REVISION HISTORY		REV.	A	B	C	D	E	E	E	F	F	H	H	J	J	K	K	L	L
DATE	ECO NO.																		
	INT REL																		
	5415653-TA001																		
	5415653-TA002																		
	5415653-TA003																		
	5415653-TA003																		
	5415653-TA004																		
	5415653-TA004																		
	5415653-TA005																		
	5415653-TA005																		
	5415653-TA006																		
	5415653-TA006																		
	5415653-TA007																		
	5415653-TA007																		
	5415653-TA008																		
	5415653-TA008																		
	5415653-TA009																		
	5415653-TA009																		

THIS DRAWING AND THE SPECIFICATIONS CONTAINED HEREIN ARE CONFIDENTIAL AND PROPRIETARY. THEY ARE THE PROPERTY OF DIGITAL EQUIPMENT CORPORATION AND SHALL NOT BE REPRODUCED OR COPIED OR USED IN WHOLE OR IN PART AS THE BASIS FOR THE MANUFACTURE OR SALE OF ITEMS WITHOUT WRITTEN PERMISSION. THIS IS AN UNPUBLISHED WORK PROTECTED UNDER THE FEDERAL COPYRIGHT LAWS.



DRN.	L. Jean	DATE	5-23-83
CHK'D	L. Jean	DATE	5-23-83
DES. ENG.	S.W. Cheng	DATE	5-21-83
RESP. ENG.	S.W. Cheng	DATE	5-21-83
MFG. ENG.	L. Jean	DATE	5-21-83

TITLE			
VT220 TERMINAL CONT.			
DOCUMENT NUMBER			
SIZE	CODE	NUMBER	REV.
B	DD	5415653-0	M
SHEET 1 OF 2			

DRAWING NO.	NO. OF SHTS.	PART NO.	DESCRIPTION	REVISIONS																
				R1	H2															
		5415653-01	VT220 TERMINAL CONT. W/ V1.1	R1	H2															
D-UA-5415653-0-0	1		VT220 TERMINAL CONT. UNIT ASSY	J	J1															
D-CS-5415653-0-1	6		VT220 TERMINAL CONT. SCHEMATIC	H	H1															
K-PL-5415653-0-DBP	3		VT220 TERMINAL CONT. PARTS LIST	L	-															
K-PL-5415653-0-DBP1	3		VT220 TERMINAL CONT. PARTS LIST	-	L1															
		5015652-01	ETCHED CIRCUIT BOARD	B1	A1															
B-DD-5015652-0	1		DRAWING DIRECTORY	C	C															
		5415653-02	VT220 TERMINAL CONT. W/ V2.0	C3	C4															
D-UA-5415653-0-0	1		VT220 TERMINAL CONT. UNIT ASSY	J	J1															
D-CS-5415653-0-1	6		VT220 TERMINAL CONT. SCHEMATIC	H	H1															
K-PL-5415653-0-DBP	3		VT220 TERMINAL CONT. PARTS LIST	L	-															
K-PL-5415653-0-DBP1	3		VT220 TERMINAL CONT. PARTS LIST	-	L1															
		5015652-01	ETCHED CIRCUIT BOARD	B1	A1															
B-DD-5015652-0	1		DRAWING DIRECTORY	C	C															
NOTES:				REVISION HISTORY																
				DATE	ECO NO.	REV.														
				2/85	5415653-TA010	M														
				2/85	5415653-TA010	M														



THIS DRAWING AND SPECIFICATIONS HEREIN ARE THE PROPERTY OF DIGITAL EQUIPMENT CORPORATION AND SHALL NOT BE REPRODUCED OR COPIED OR USED IN WHOLE OR IN PART AS THE BASIS FOR THE MANUFACTURE OR SALE OF ITEMS WITHOUT WRITING PERMISSION.
 DIGITAL EQUIPMENT CORPORATION
 © 1983

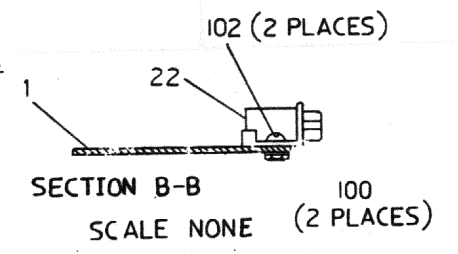
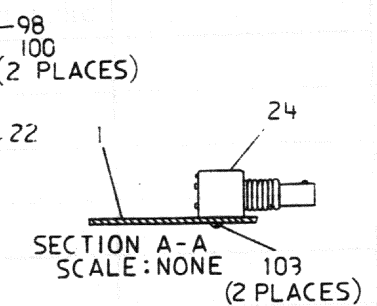
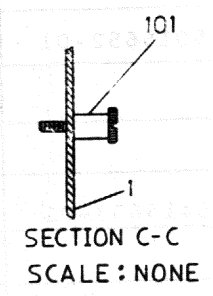
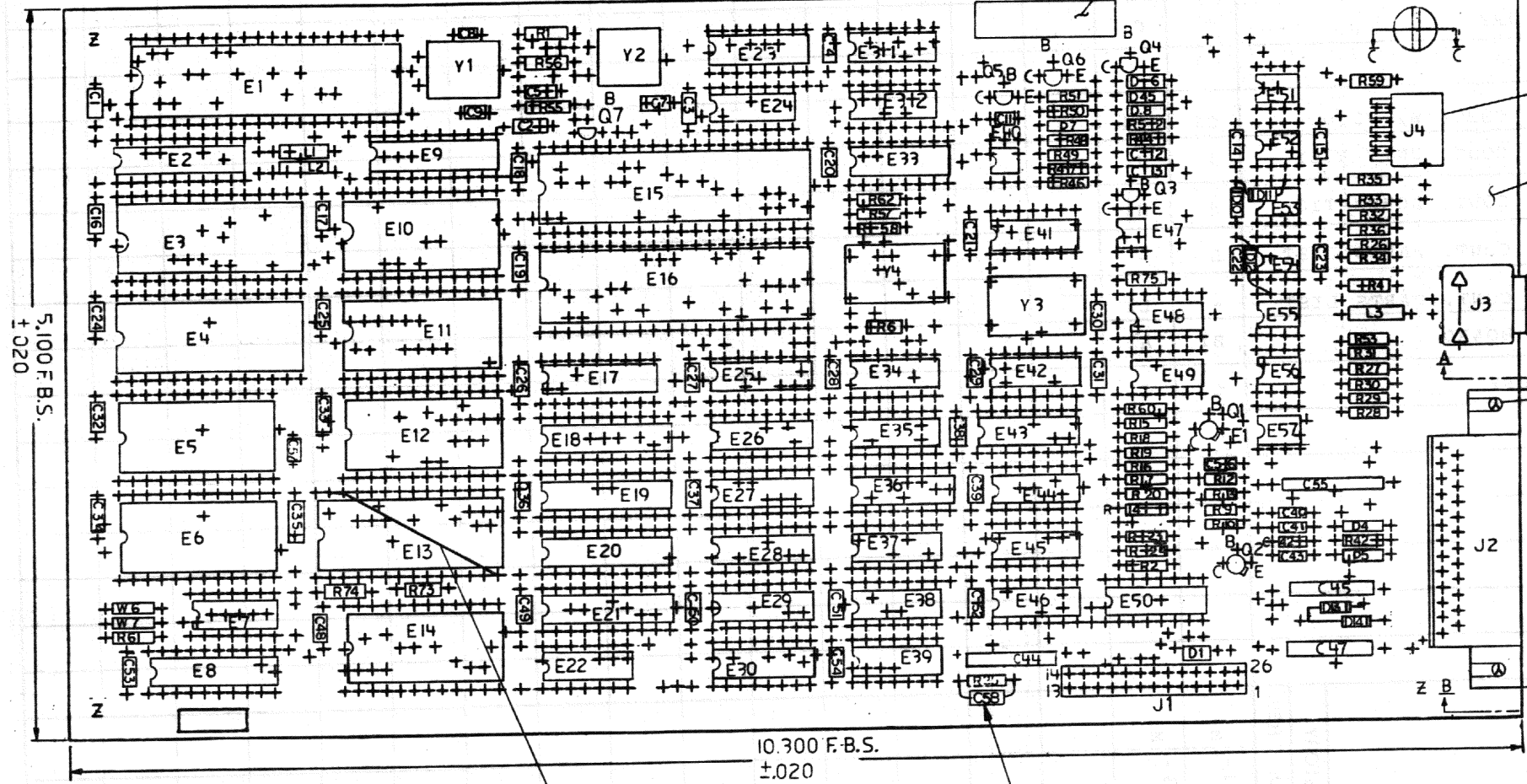
REVISIONS

DESCRIPTION

NOTE 1. MODULE SERIAL NUMBER TA 3430040 THRU TA40402300 ARE MARKED AS ETCH REV. A1. THESE UNITS ARE ACTUALLY ETCH REV. B1. DISREGARD ALL MARKING ON B1 ETCH.
 2. WRAP AND SOLDER ONE LEG OF C58 TO ONE LEG OF R25 AND WRAP AND SOLDER THE OTHER LEG OF C58 TO THE OTHER LEG OF R25

VIEWED FROM SIDE 1
 COMPONENT SIDE

112(-02 VAR ONLY) 101



SEE NOTE 2

OFF SHEET PARTS LIST EXISTS.
 SEE K-PL-5415653-0-DBR 25450 PLS

REV.	CHG.	INT. REL.	DATE	BY
A			3-20-84	G. CHRISTIANSON
B			5-15-83	G. CHRISTIANSON
C			5-15-83	G. CHRISTIANSON
D			8-7-84	G. CHRISTIANSON
E			10-10-84	G. CHRISTIANSON
F			10-10-84	G. CHRISTIANSON
G			11-16-84	G. CHRISTIANSON
H			11-16-84	G. CHRISTIANSON
J			11-16-84	G. CHRISTIANSON

DRN. W. J. WANG	26JUN83	FIRST USED ON	VT220	digital
ENR. S. W. CHENG	26JUN83	TITLE	VT220	
PROD. ENG. W. WANG	26JUN83	TERMINAL CONTROL		
NEXT HIGHER ASSY. BDD-5415653-0				
SCALE	D	UA	5415653-0-0	REV. J
SHEET	1	OF	2	DIST.

BPOI

THIS DRAWING AND THE SPECIFICATIONS CONTAINED HEREIN ARE CONFIDENTIAL AND PROPRIETARY. THEY ARE THE PROPERTY OF THE BELL SYSTEM. NO PART OF THIS DRAWING OR SPECIFICATION SHALL BE REPRODUCED OR TRANSMITTED IN ANY FORM OR BY ANY MEANS, ELECTRONIC OR MECHANICAL, INCLUDING PHOTOCOPYING, RECORDING, OR BY ANY INFORMATION STORAGE AND RETRIEVAL SYSTEM, WITHOUT PERMISSION IN WRITING FROM THE BELL SYSTEM. THIS IS AN UNPUBLISHED WORK PROTECTED UNDER THE FEDERAL COPYRIGHT LAWS.

DUA 5415653-0

REWORK INSTRUCTION

- 6-1 CUT OFF PIN 27 OF E13
- 6-2 CONNECT AND SOLDER ECO WIRE FROM PIN 14 TO PINS 26 AND 27
- 6-3 SECURE ECO WIRE TO TOP OF ROM WITH LIQUID ADHESIVE
- D10: INSERT LEADS INTO EXISTING HOLES & SOLDER INTO POSITION AS SHOWN. POLARITY OF DIODE IS SHOWN ON DRAWING.
- D11: WRAP AND SOLDER ONE LEG OF D11 TO ONE LEG OF D10 AS SHOWN. TACK SOLDER THE OTHER LEG OF D11 TO PIN 6 OF E53. POLARITY OF DIODE IS SHOWN ON DRAWING.
- D12: WRAP AND SOLDER ONE LEG OF D12 TO ONE LEG OF C22 AS SHOWN. TACK SOLDER THE REMAINING LEG OF D12 TO E55 PIN 7. POLARITY OF DIODE IS SHOWN ON DRAWING.
- D13-D14: WRAP AND SOLDER LEADS OF D13 AND D14 TOGETHER. INSERT REMAINING LEAD OF D13 INTO HOLE AND SOLDER AS SHOWN. INSERT REMAINING LEAD OF D14 INTO HOLE & SOLDER AS SHOWN. POLARITY OF DIODES ARE SHOWN ON DRAWING

REVISION HISTORY		
REV.	ECO NUMBER	DATE

TITLE		DOCUMENT NUMBER	
VT220 TERMINAL CONTROL		SIZE CODE	NUMBER
		DUA	5415653-0-0
		SCALE	SHEET
		NONE	2 OF 2
		REV.	
		J	

LINE	ITEM	TOP DOCUMENT	PART NUMBER	MIN REV	DESCRIPTION	QTY PER VARIATION		REFERENCE DESIGNATOR
						01	02	
						H1 C3		
1	1	D-MD-5015652-0-0	5015652-01	B	CIRCUIT DRILL AND ETCH BOARD	1	1	
2	2		1000006-00		10.0 MMF 10CV 5%200PPM MICA	1	1	C7
3	3		1000020-00		180.0 MMF 100V 5%200PPM MICA	1	1	C56
4	4		1000022-00		270.0 MMF 100V 5%200PPM MICA	3	3	C12,C13,C57
5	5		1001610-00		.01 MFD 50V +80-20% Z5U CER	37	37	C1,C3,C4,C11,C14-C39,C48-C54
6	6		1002608-00		18.0 MMF 100V 55200PPM MICA	2	2	C8,C9
7	7		1010274-00		.22 MFD 50V +80-20% Z5U CER	3	3	C41-C43
8	8		1012312-01		.47 MFD 50V +80-20% CER	2	2	C2,C5
9	9		1017472-00		10 MFD 35V +75-10% AL EL	1	1	C45
10	10		1018220-06		2200 MFD 6.3V	1	1	C47
11	11		1020446-12		220 MFD 16V +50-10% AL EL	1	1	C55
12	12		1022277-01		22 MFD 16V +50-10% AL EL	1	1	C44
13	13		1100114-00		PIV= 25 IO=135 MA	2	2	D1,D9
14	14		1102421-00		VZ= 6.2 5% 400 MW 1N753A	1	1	D4
15	15		1105275-00		PIV= 60 IO=300 MA -15NS	2	2	D6,D7
16	16		1105610-00		CURRENT LIMIT 1.0 MA	1	1	D8
17	17		1105796-00		PIV= 400 IO= 1.00A 1N4004 DO-41	1	1	D5
18	18		1215006-07		SKT,IC 28PIN DIP TIN SOLD	3	3	XE3,XE4,XE13
19	19		1215006-08		SKT,IC 40PIN DIP TIN SOLD	3	3	XE1,XE15,XE16
20	20		1217652-01		PCB HEADER 08POS(2X04).100CC 90D	1	1	J4
21	21		1219952-02		PCB HEADER 26PIN(2X13).100CC STR	1	1	J1
22	22		1220959-03		CONN,D SUB 25PIN ASSY PC MNT	1	1	J2
23	24		1222216-01		CONN,COAX BNC RCPT SCRE	1	1	J3
24	25		1300197-00		33.0 .25 W 5.0 % CF	1	1	R47
25	26		1300229-00		100.0 .25 W 5.0 % CF	6	6	R6,R12,R53,R60,R73,R74
26	27		1300247-00		120.0 .25 W 5.0 % CF	1	1	R25
27	28		1300250-00		150.0 .25 W 5.0 % CF	2	2	R24,R52
28	29		1300271-00		220.0 .25 W 5.0 % CF	2	2	R13,R23
29	30		1300295-00		330.0 .25 W 5.0 % CF	1	1	R42
30	31		1300309-00		390.0 .25 W 5.0 % CF	2	2	R45,R46

REVISION HISTORY			BASIC PART NO: 5415653		DRN: RITA BUREAU		DATE: 23-AUG-83		D I G I T A L	
ENG	ECO NUMBER	REV	SECTION A OF A	CHK'D:	DATE:	TITLE PARTS LIST				
---	INITIAL	A	SECTION VARIATION INDEX	JOHN DEVIN	26-AUG-83	VT220 TERMINAL CONTROL				
GC	5415653-TA001	B	[A] 01,02							
CG	5415653-TA002	C	[B]							
CG	5415653-TA004	D	[C]	DES.ENG: H. T. CHO	26-AUG-83	DOCUMENT NUMBER				
GC	5415653-TA005	E	[D]			SIZE	CODE	NUMBER	REV	
GC	5415653-TA006	F	[E]			K	PL	5415653-0-DBP	L	
GC	5415653-TA007	H	[F]	RESP.ENG.: H. T. CHO	26-AUG-83	RELEASE DATE: 28-FEB-85				
GC	5415653-TA008	J	[H]							
GC	5415653-TA009	K	[J]							
GC	5415653-TA010	L	[K]	MFG.ENG.: CLYDE TANNER	26-AUG-83					
			[L]							
			[M]	ASSEMBLY NUMBER:	TOP DOCUMENT NUMBER:	FILE NAME:		EDIT #		
			[N]	D-UA-5415653-0-0	B-DD-5415653-0-0	Z5450L.PLS		14		

"THIS DRAWING AND THE SPECIFICATIONS CONTAINED HEREIN ARE CONFIDENTIAL AND PROPRIETARY. THEY ARE THE PROPERTY OF DIGITAL EQUIPMENT CORPORATION AND SHALL NOT BE REPRODUCED OR COPIED OR USED IN WHOLE OR IN PART AS THE BASIS FOR THE MANUFACTURE OR SALE OF ITEMS WITHOUT WRITTEN PERMISSION. THIS IS AN UNPUBLISHED WORK PROTECTED UNDER THE FEDERAL COPYRIGHT LAWS."

PARTS LIST

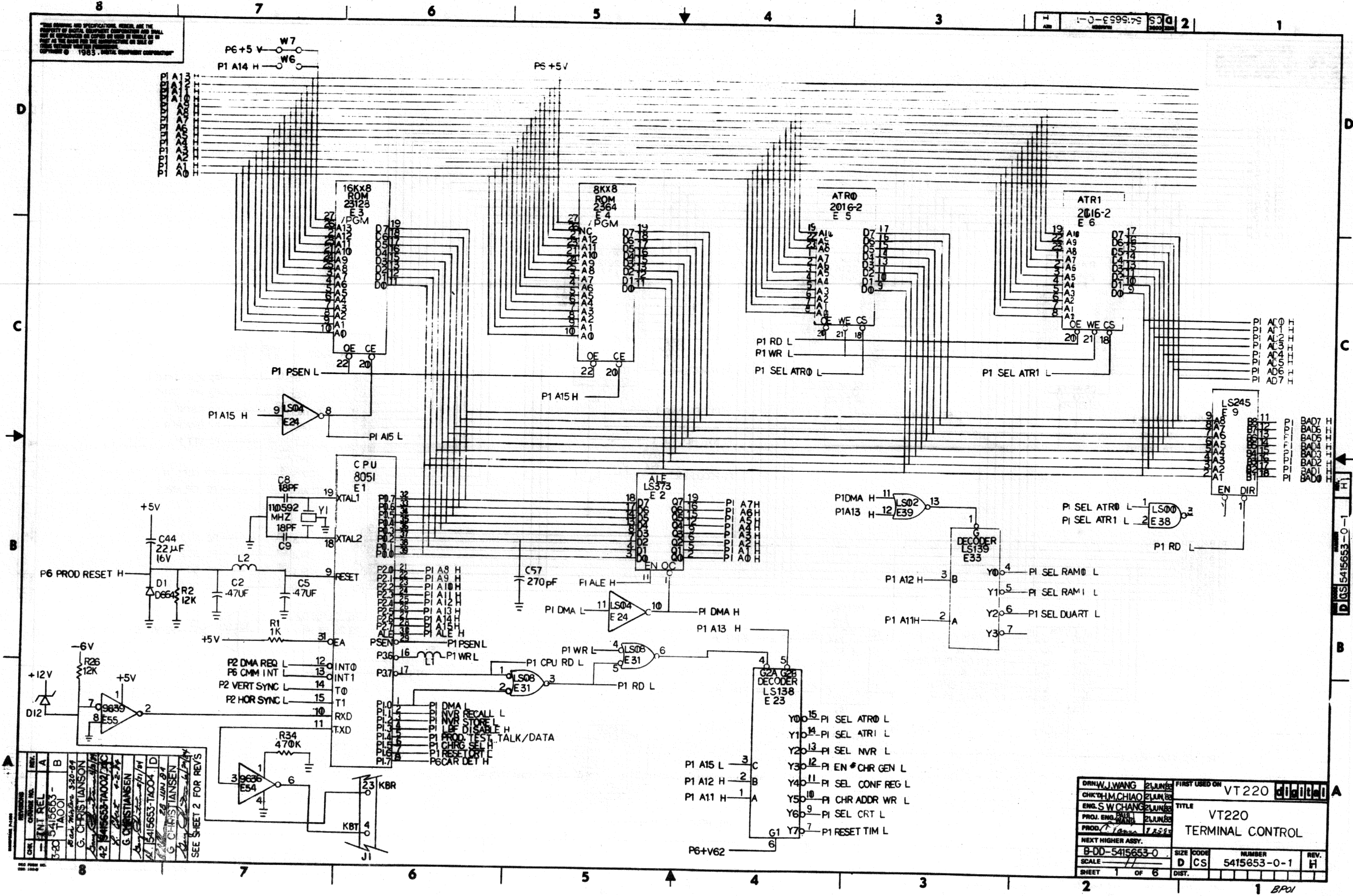
LINE	ITEM	TOP DOCUMENT	PART NUMBER	MIN REV	DESCRIPTION	VARIATION REVISION LEVEL:	QTY PER VARIATION		REFERENCE DESIGNATOR
							01 H1	02 C3	
31	32		1300316-00		470.0	.25 W 5.0 % CF	1	1	R20
32	33		1300365-00		1.0 K	.25 W 5.0 % CF	6	6	R1,R9,R59,R61,R62,R75
33	34		1300391-00		1.50 K	.25 W 5.0 % CF	1	1	R14
34	35		1300398-00		1.80 K	.25 W 5.0 % CF	1	1	R17
35	36		1300417-00		2.20 K	.25 W 5.0 % CF	1	1	R10
36	37		1300426-00		2.70 K	.25 W 5.0 % CF	1	1	R15
37	38		1300432-00		3.0 K	.25 W 5.0 % CF	1	1	R18
38	39		1300444-00		3.90 K	.25 W 5.0 % CF	1	1	R51
39	40		1300447-00		4.70 K	.25 W 5.0 % CF	3	3	R56-R58
40	41		1300488-00		12.0 K	.25 W 5.0 % CF	9	9	R26-R33,R2
41	42		1300539-00		120.0 K	.25 W 5.0 % CF	1	1	R48
42	43		1301327-00		68.0 K	.25 W 5.0 % CF	1	1	R44
43	44		1301401-00		750.0	.25 W 5.0 % CF	1	1	R50
44	45		1301422-00		7.50 K	.25 W 5.0 % CF	1	1	R49
45	46		1302379-00		75.0	.25 W 5.0 % CF	1	1	R4
46	47		1302388-00		2.0 K	.25 W 5.0 % CF	1	1	R16
47	48		1302398-00		470.0 K	.25 W 5.0 % CF	1	1	R34
48	49		1302514-00		39.0 K	.25 W 5.0 % CF	1	1	R55
49	50		1303177-00		2.40 K	.25 W 5.0 % CF	1	1	R19
50	51		1304841-00		75.0 K	.25 W 5.0 % CF	2	2	R35,R36
51	52		1501913-00		2N 2904A	PNP 600MW SI 60 40 Y	2	2	Q1,Q2
52	53		1509338-00		DEC6531B	NPN 310MW SI 40 90 P	3	3	Q5-Q7
53	54		1510705-00		XA 05	NPN 500MW SI 60 50 P	1	1	Q4
54	55		1510706-00		XA 55	PNP 500MW SI 60 50 P	1	1	Q3
55	56		1618238-02		BEAD,FERRITE	.1380DX.330LG	3	3	L1-L3
56	57		1811660-59		OSCILLATOR, XTAL	15.288 MHZ	1	1	Y3
57	58		1812396-12		XTAL	11.059 MHZ	1	1	Y1
58	59		1812396-16		XTAL	3.6864 MHZ	1	1	Y2
59	60		1814830-01		OSCILLATOR, XTAL	22.896 MHZ	1	1	Y4
60	61		1909929-00		7417	BUFFER GATE-HEX 1INP	1	1	E48
61	62		1910236-00		DEC 7426	NAND GATE-QUAD 2IN,0	1	1	E49
62	63		1910544-00		74S74	FF-D DUAL,EDGE TRIGG	1	1	E35
63	64		1910550-00		74S174	FF-D HEX	2	2	E36,E43
64	65		1912096-00		DEC 74S86	XOR GATE,QUAD 2IN	1	1	E46
65	66		1912697-00		LS174	FF-D HEX W/CLEAR	4	4	E26,E28,E29,E50
66	67		1912799-00		LS00	NAND-GATE-QUAD 2IN,P	1	1	E38
67	68		1912801-00		LS02	NOR-GATE-QUAD 2IN	1	1	E39
68	69		1912803-00		LS04	INVERTER GATE,HEX	2	2	E24,E44
69	70		1912805-00		LS08	AND GATE-QUAD 2IN,PO	2	2	E31,E41
70	71		1912807-00		LS10	NAND GATE-TRIPLE 3IN	1	1	E37
71	72		1912813-00		LS27	NOR GATE-TRIPLE 3IN	1	1	E45
72	73		1912816-00		LS32	OR GATE-QUAD 2IN,POS	1	1	E22
73	74		1912820-00		LS51	A-0-I GATE 2-WIDE 2I	1	1	E42
74	75		1912824-00		LS74	FF-D DUAL,EDGE TRIGG	1	1	E32
75	76		1912842-00		LS138	DECODER-THREE INPUT,	1	1	E23
76	77		1912843-00		LS139	DECODER, 2 OF 4(DUAL	1	1	E33
77	78		1912847-00		LS157	MUX 1 OF 2(QUAD)	2	2	E25,E30
78	79		1912863-00		LS273	FF-D OCTAL W/CLEAR	2	2	E8,E20

D I G I T A L	TITLE	SECTION A OF A	SIZE	CODE	DOCUMENT NUMBER	REV
	VT220 TERMINAL CONTROL		K	PL	5415653-0-DBP	L

LINE	ITEM	TOP DOCUMENT	PART NUMBER	MIN REV	DESCRIPTION	QTY	PER	VARIATION	REFERENCE DESIGNATOR
79	80		1914214-00		LS374	2	2		E19,E21
80	81		1914451-00		LS393	1	1		E7
81	82		1915019-00		74S38	1	1		E34
82	83		1915218-00		LS245	2	2		E9,E18
83	84		1915219-00		LS373	1	1		E2
84	85		1915415-00		9636	3	3		E52-E54
85	86		1915758-01	D	LS166	1	1		E27
86	87		1916959-00		OPTOTRANSISTOR	2	2		E40,E47
87	88		1919542-01		9639	4	4		E51,E55-E57
88	89		2117872-01		RAM 2KX8 I/O MUXD 20	5	5		E5,E6,E10-E12
89	90		2117872-02		RAM 2KX8 I/O MUXD 12	1	1		E14
90	91		2120065-01		9007	1	1		E16
91	92		2120068-01		2681	1	1		E15
92	93		2120263-01		2212	1	1		E17
93	94		23011M1-00		M1-01	1	1		E1
94	95		23012E5-00		*** THIS ITEM IS NOT USED ***	-	-		
95	96		23247E4-00		*** THIS ITEM IS NOT USED ***	-	-		
96	97		23248E4-00		*** THIS ITEM IS NOT USED ***	-	-		
97	98		9006010-01		SCREW,MACH PAN PHIL 4-	2	2		
98	99		9007201-00		PAD,MOUNTING,COMPONENT	2	2		
99	100		9008054-00		*** THIS ITEM IS NOT USED ***	-	-		
100	101		9009116-01		SCREW,CAPTIV ASSY 6-32	1	1		
101	102		9009185-00		JUMPER, WIRE, INSULATED, BLACK B	1	1		W7
102	103		9010482-01		SCREW, PAN PHIL THD RL 2-	2	2		
103	104		9006557-00	A	NUT,HEX EXT TOOTH LCKWSHR 4-40	2	2		
104	105		1000015-00		*** THIS ITEM IS NOT USED ***	-	-		
105	106		23039E5-00		E5-01	1	-		E3
106	107		23251E4-00		E4-07	1	-		E4
107	108		23242E4-00		E4-07	1	1		E13
108	109		9105740-55		WIRE(WRAP) 30AWG KYNAR UL14	A/R	A/R		
109	110		23086E5-00	A	*** THIS ITEM IS NOT USED ***	-	-		
110	111		23085E5-00	A	*** THIS ITEM IS NOT USED ***	-	-		
111	112		3623869-01	A	LABEL,VT220 54-15653-02	-	1		
112	113		1110856-00		VZ= 24.0 5% 400 MW 1N970B	5	5		D10-D14
113	114		1000018-00		120.0 MMF 100V 5%200PPM MICA	1	1		C58
114	115		23081E5-00		E5-01	-	1		E4
115	116		23082E5-00		E5-01	-	1		E3

D	I	G	I	T	A	L	TITLE	SECTION A OF A	SIZE	CODE	DOCUMENT NUMBER	REV
							VT220 TERMINAL CONTROL		K	PL	5415653-0-DBP	L

THIS DRAWING AND SPECIFICATIONS HEREIN ARE THE PROPERTY OF DIGITAL EQUIPMENT CORPORATION AND SHALL NOT BE REPRODUCED OR TRANSMITTED IN ANY FORM OR BY ANY MEANS, ELECTRONIC OR MECHANICAL, INCLUDING PHOTOCOPYING, RECORDING, OR BY ANY INFORMATION STORAGE AND RETRIEVAL SYSTEM, WITHOUT PERMISSION IN WRITING FROM DIGITAL EQUIPMENT CORPORATION.
 © 1983, DIGITAL EQUIPMENT CORPORATION

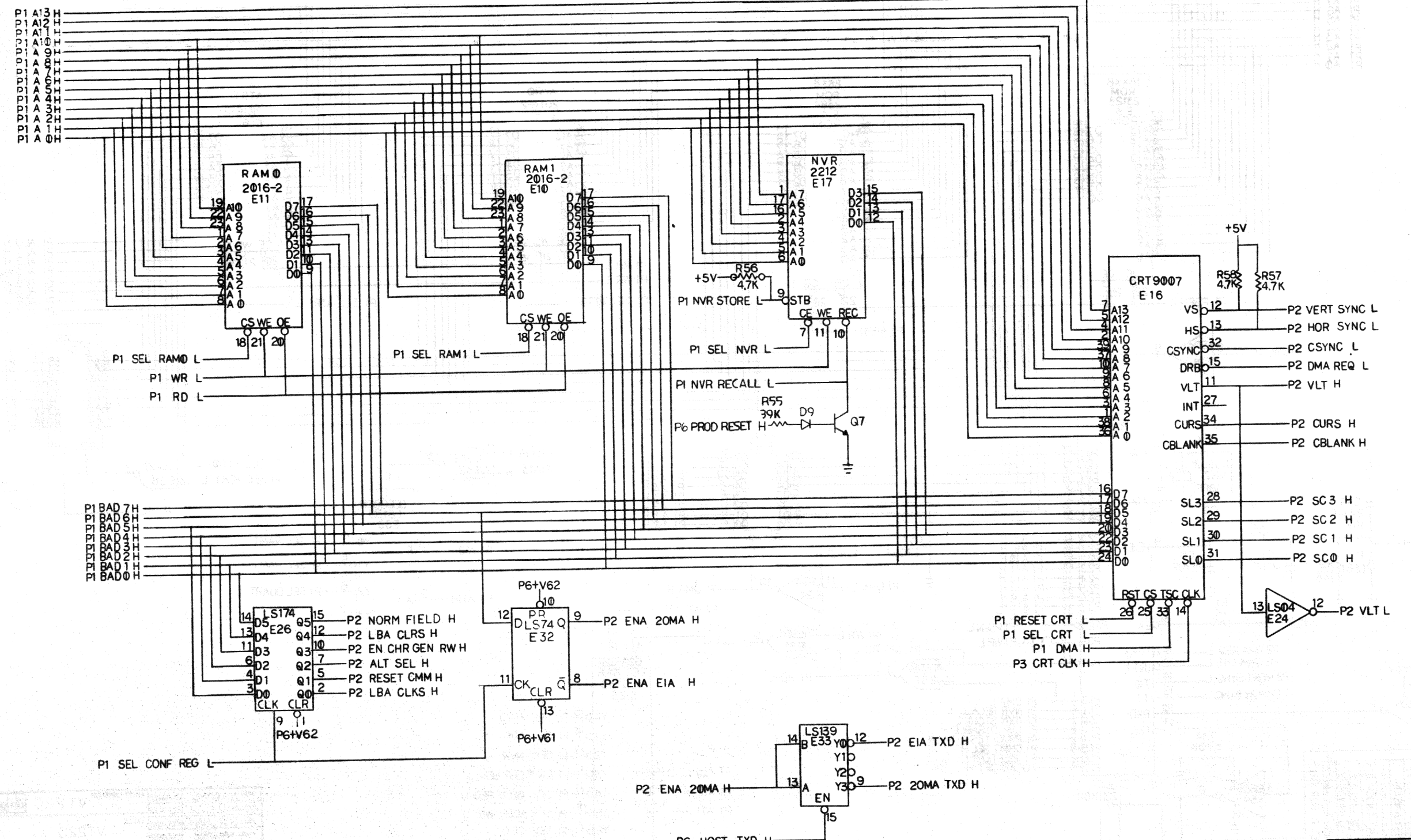


SEE SHEET 2 FOR REVS

REV.	DATE	BY	CHK'D	APP'D
1	3-20-84	G. CHRISTIANSON		
2	4-2-84	G. CHRISTIANSON		
3	4-2-84	G. CHRISTIANSON		
4	4-2-84	G. CHRISTIANSON		
5	4-2-84	G. CHRISTIANSON		
6	4-2-84	G. CHRISTIANSON		
7	4-2-84	G. CHRISTIANSON		
8	4-2-84	G. CHRISTIANSON		

DRN: W. J. WANG	PLN: J. S. WANG	FIRST USED ON	VT220
CHK'D: H. M. CHIAO	PLN: S. W. CHANG	TITLE	VT220
ENG: S. W. CHANG	PLN: J. S. WANG		TERMINAL CONTROL
PROJ. ENG: J. S. WANG	PLN: J. S. WANG		
PROD. DATE: 7-25-83			
NEXT HIGHER ASSY.			
B-DD-5415653-0	SIZE CODE	NUMBER	REV.
SCALE	D CS	5415653-0-1	H
SHEET	OF 6	DIST.	
1			

THE DRAWING AND THE SPECIFICATIONS CONTAINED HEREIN ARE CONFIDENTIAL AND PROPRIETARY. THEY ARE THE PROPERTY OF DIGITAL EQUIPMENT CORPORATION AND SHALL NOT BE REPRODUCED OR COPIED OR USED IN WHOLE OR IN PART AS THE BASIS FOR THE MANUFACTURE OR SALE OF ITEMS WITHOUT WRITTEN PERMISSION. THIS IS AN UNPUBLISHED WORK PROTECTED UNDER THE FEDERAL COPYRIGHT LAWS.



REVISION HISTORY			
REV.	ECO NUMBER	DATE	BY
E	5415653-TA006	8-23-84	G. CHRISTIANSEN
F	5415653-TA008	12-27-84	G. CHRISTIANSEN
H	5415653-TA009	1-31-85	W. SATAS

TITLE
VT220
TERMINAL CONTROL

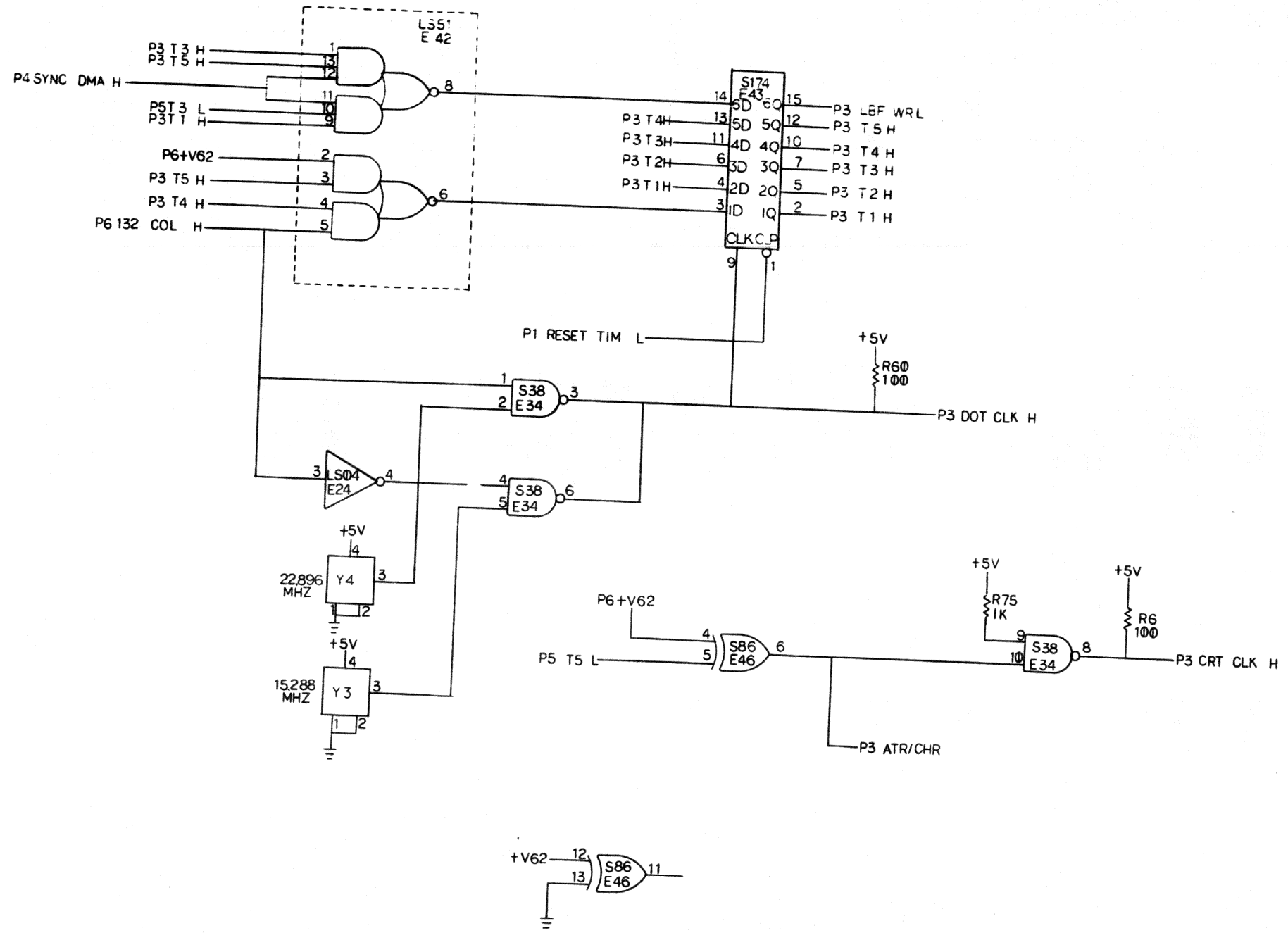
DOCUMENT NUMBER		
SIZE CODE	NUMBER	REV.
Dcs	5415653-0-1	H

SCALE: H SHEET 2 OF 6

REV. H
NUMBER
DCS 5415653-0-1

1 BPO1

THE DRAWING AND THE SPECIFICATIONS CONTAINED HEREIN ARE CONFIDENTIAL AND PROPRIETARY. THEY ARE THE PROPERTY OF DIGITAL EQUIPMENT CORPORATION AND SHALL NOT BE REPRODUCED OR COPIED OR USED IN WHOLE OR IN PART AS THE BASIS FOR THE MANUFACTURE OR SALE OF THIS WITHOUT WRITTEN PERMISSION. THIS IS AN UNPUBLISHED WORK PROTECTED UNDER THE FEDERAL COPYRIGHT LAWS.



REVISION HISTORY		
REV.	ECO NUMBER	DATE

8

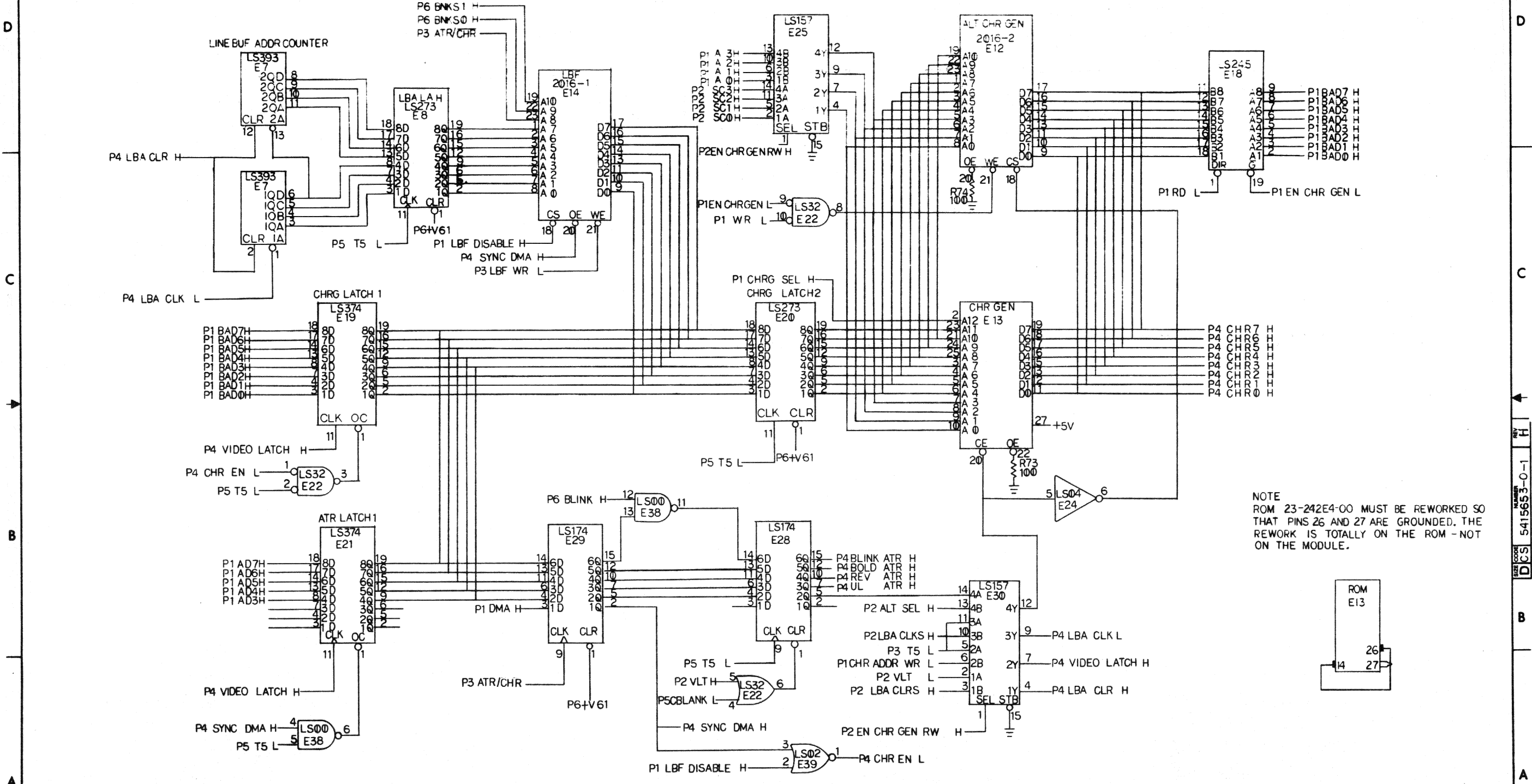
TITLE
VT220
TERMINAL CONTROL

DOCUMENT NUMBER		
SIZE CODE	NUMBER	REV.
D CS	5415653-0-1	R
SCALE	1	SHEET 3 OF 6

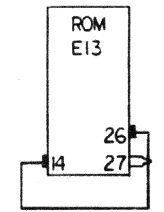
1 BPO1

THIS DRAWING AND THE SPECIFICATIONS CONTAINED HEREIN ARE CONFIDENTIAL AND PROPRIETARY. THEY ARE THE PROPERTY OF DIGITAL EQUIPMENT CORPORATION AND SHALL NOT BE REPRODUCED OR COPIED OR USED IN WHOLE OR IN PART AS THE BASIS FOR THE MANUFACTURE OR SALE OF ITEMS WITHOUT WRITTEN PERMISSION. THIS IS AN UNPUBLISHED WORK PROTECTED UNDER THE FEDERAL COPYRIGHT LAWS.

8 7 6 5 4 3 2 1



NOTE
ROM 23-242E4-00 MUST BE REWORKED SO THAT PINS 26 AND 27 ARE GROUNDED. THE REWORK IS TOTALLY ON THE ROM - NOT ON THE MODULE.



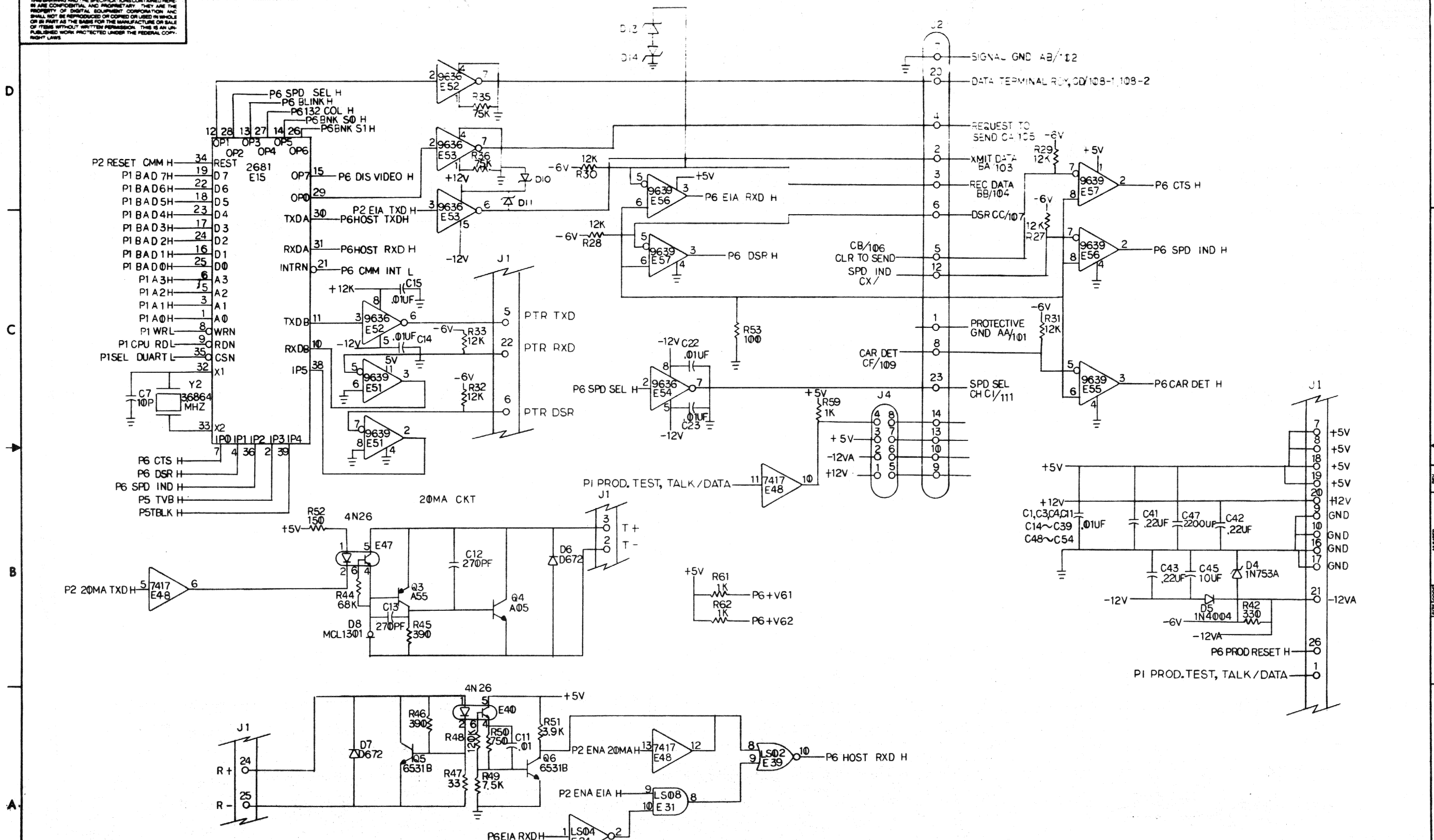
REVISION HISTORY		
REV.	ECO NUMBER	DATE

TITLE
**VT220
TERMINAL CONTROL**

DOCUMENT NUMBER		
SIZE CODE	NUMBER	REV.
D CS	5415653-0-1	H
SCALE	SHEET 4 OF 6	

8 7 6 5 4 3 2 1 B/P01

THIS DRAWING AND THE SPECIFICATIONS CONTAINED HEREIN ARE CONFIDENTIAL AND PROPRIETARY. THEY ARE THE PROPERTY OF DIGITAL EQUIPMENT CORPORATION AND SHALL NOT BE REPRODUCED OR COPIED OR USED IN WHOLE OR IN PART AS THE BASIS FOR THE MANUFACTURE OR SALE OF ITEMS WITHOUT WRITTEN PERMISSION. THIS IS AN UNPUBLISHED WORK PROTECTED UNDER THE FEDERAL COPYRIGHT LAWS.



REVISION HISTORY		
REV.	ECO NUMBER	DATE

TITLE		DOCUMENT NUMBER	
VT220 TERMINAL CONTROL		5415653-0-1	
SCALE	SHEET	REV.	
	6 OF 6		

DRAWING NO.	NO OF SHTS	PART NO.	DESCRIPTION	REVISIONS															
				A1	B1	C1	D1	D1	D2	E1	F1								
		5415651-01	VT220 P.S. and MTR	A1	B1	C1	D1	D1	D2	E1	F1								
D-UA-5415651-0-0	1		VT220 P.S. and MTR	A	B	C	D	D	E	E	F								
D-CS-5415651-0-1	2		VT220 P.S. and MTR	A	B	C	D	D	D	E	F								
K-PL-5415651-0-DBP	4		VT220 P.S. and MTR	A	B	B	C	C	D	E	E								
		5015650-01	ETCHED CIRCUIT BOARD	A1	A1	A1	A1	A1	B1	B1	B1								
B-DD-5015650-0	1		DRAWING DIRECTORY	A	A	A	A	A	B	B	B								
		5415651-01	VT220 P.S. and MTR						D1	E2	F2								
D-UA-5415651-0-0	1		VT220 P.S. and MTR						D1	D1	D2								
D-CS-5415651-0-1	2		VT220 P.S. and MTR						D1	D2	D3								
K-PL-5415651-0-DBP1	4		VT220 P.S. and MTR						C1	C2	C2								
		5015650-01	ETCHED CIRCUIT BOARD						A1	A1	A1								

NOTES:

REVISION HISTORY		A	B	C	D	D	E	F	H
DATE	ECO NO.	REV.							
6/83	INIT	A							
3/84	TA001	B							
5/84	TA002	C							
6/84	TA003	D							
6/84	TA04A	D							
6/84	TA005	E							
12/84	TA006	F							
2/85	TA007	H							

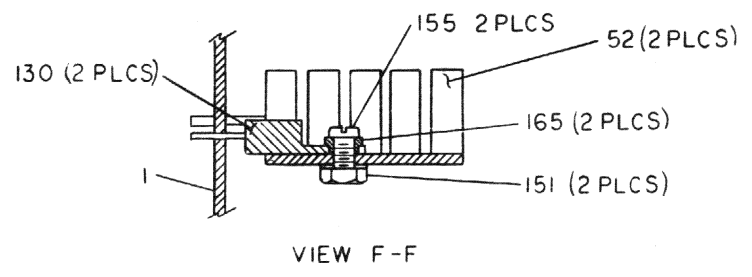
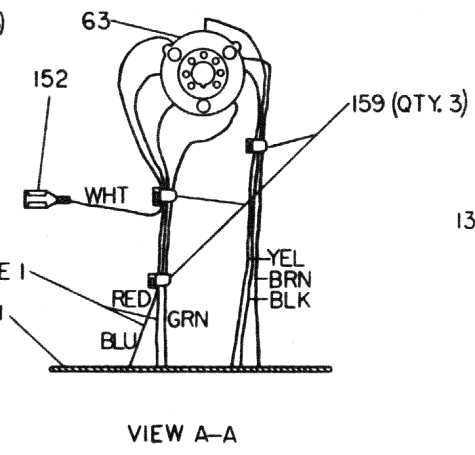
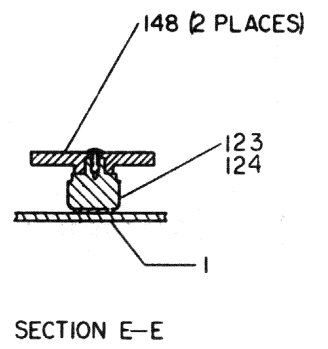
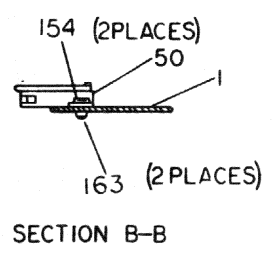
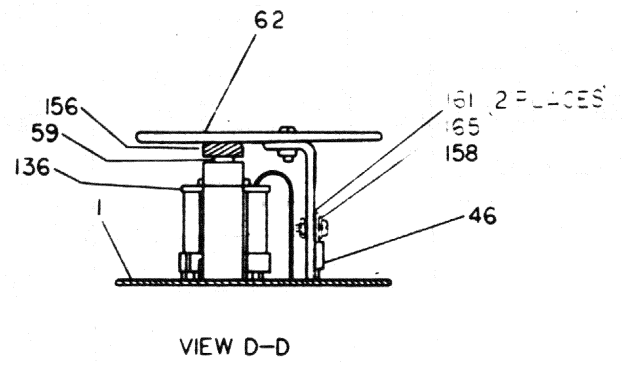
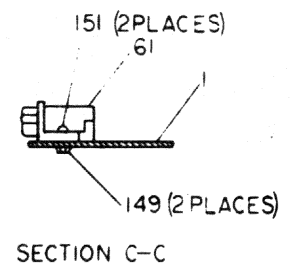
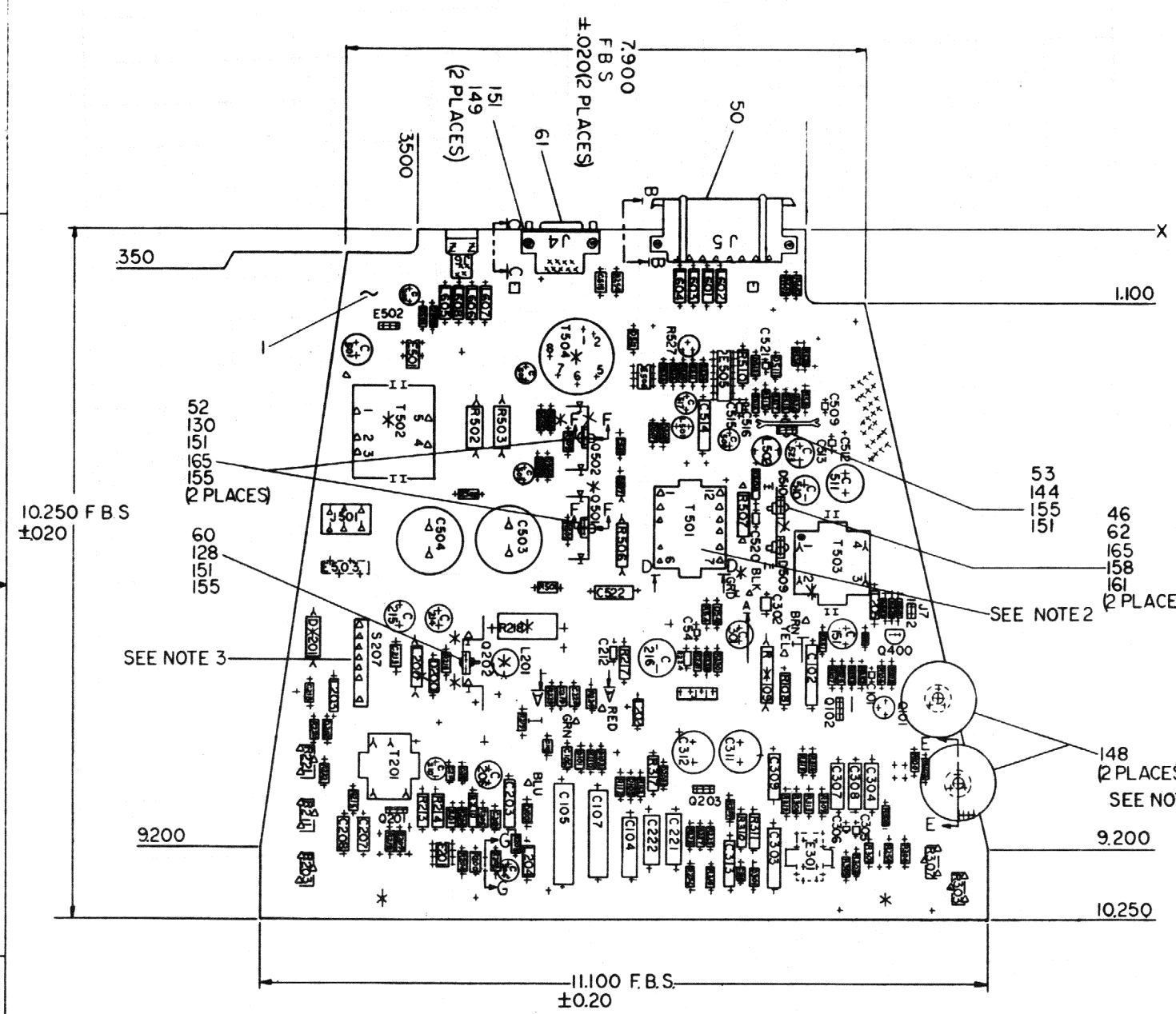
THIS DRAWING AND THE SPECIFICATIONS CONTAINED HEREIN ARE CONFIDENTIAL AND PROPRIETARY. THEY ARE THE PROPERTY OF DIGITAL EQUIPMENT CORPORATION AND SHALL NOT BE REPRODUCED OR COPIED OR USED IN WHOLE OR IN PART AS THE BASIS FOR THE MANUFACTURE OR SALE OF ITEMS WITHOUT WRITTEN PERMISSION. THIS IS AN UNPUBLISHED WORK PROTECTED UNDER THE FEDERAL COPYRIGHT LAWS.



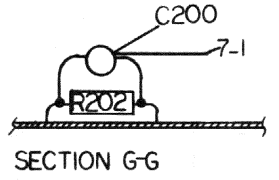
DRN. L JEAN	DATE 20 May 83	TITLE	
CHK'D L JEAN	DATE 20 May 83	VT220 P.S. AND MONITOR	
DES. ENG. J B LOU	DATE 21 MAY 83	DOCUMENT NUMBER	
RESP. ENG. L JEAN	DATE 21 MAY 83	SIZE B	CODE DD
MFG. ENG. C TANNER	DATE 25 AUG 83	NUMBER 5415651-0	REV. H
		SHEET 1 OF 1	

THIS DRAWING AND SPECIFICATIONS HEREBY ARE THE PROPERTY OF DIGITAL EQUIPMENT CORPORATION AND SHALL NOT BE REPRODUCED OR COPIED IN WHOLE OR IN PART FOR THE PURPOSES OF THE MANUFACTURE OR SALE OF ITEMS WITHOUT WRITTEN PERMISSION.
 COPYRIGHT © 1963 DIGITAL EQUIPMENT CORPORATION

VIEWED FROM SIDE 1
 COMPONENT SIDE



CAUTION: OFF SHEET PARTS LIST EXISTS,
 SEE K PL-5415651-O-DBP.



NOTES: 1. RED AND BLUE WIRES OF C.R.T. CONNECT HARNESS ASSEMBLY MUST BE COATED BY HEAT SHRINK TUBING ITEM #162 RESPECTIVELY.
 2. BUMPERS ITEM #59 AND 156 MUST BE ADHERED TO THE TOP OF T501 ITEM #136 AS SHOWN IN D-D
 3. PIN 2 OF S207 ITEM #55 MUST BE REMOVED BEFORE INSERTION.

STEP E	→ Y AXIS	STEP	TIMES
REPEAT	→ X AXIS	STEP	TIMES

CHANGE NO	REV	INT	REL	A	B	C	D	E	F
5415651									
5415651									
5415651									
5415651									
5415651									
5415651									
5415651									
5415651									
5415651									

ETCH REV.	

SIGNATURES	DATE	TITLE
DRN. H.M. HSIO	4-JUN-63	
CHK'D. J. B. LOU	4-JUN-63	
MECH. ENG. LOUIS JEAN	4-JUN-63	
PROJ. ENG. LOUIS JEAN	4-JUN-63	
PROD. CLYDE TANNER	8-25-63	

digital

TITLE VT 220 P S AND
 MONITOR BD.

SCALE	1/1	SIZE	CODE	NUMBER	REV
SHT.	1	OF	2	D UA 5415651-O-O	F
NEXT HIGHER ASSY. B-DD-5415651-O-O					

BP01 1 WO#

8

0-0-1985 7/10 DUA 5415651-0-0

6

5

4

3

2

1

THIS DRAWING AND THE SPECIFICATIONS CONTAINED HEREIN ARE CONFIDENTIAL AND PROPRIETARY. THEY ARE THE PROPERTY OF DIGITAL EQUIPMENT CORPORATION AND SHALL NOT BE REPRODUCED OR COPIED OR USED IN WHOLE OR IN PART AS THE BASIS FOR THE MANUFACTURE OR SALE OF ITEMS WITHOUT WRITTEN PERMISSION. THIS IS AN UNPUBLISHED WORK PROTECTED UNDER FEDERAL COPYRIGHT LAWS.

REWORK INSTRUCTIONS

7.1 WRAP AND SOLDER ONE LEG OF C200 TO ONE LEG OF R202
AND WRAP AND SOLDER THE OTHER LEG OF C200 TO THE
OTHER LEG OF R202

D

D

C

C

B

B

A

A

REV. CODE NUMBER
DUA 5415651-0-0 REV. F

REVISION HISTORY		
REV.	ECD NUMBER	DATE

TITLE
VT220 PS AND
MONITOR BOARD

DOCUMENT NUMBER		
SIZE CODE	NUMBER	REV
DUA	5415651-0-0	F
SCALE	++	SHEET 2 OF 2

DRD 187C
04-0124-10-REV A (20)

8

7

6

5

4

3

2

1

LINE	ITEM	TOP DOCUMENT	PART NUMBER	MIN REV	DESCRIPTION	QTY PER VARIATION	REFERENCE DESIGNATOR
					VARIATION REVISION LEVEL:	01 E1	
1	1	D-MD-5016650-0-0	5015650-01		CIRCUIT DRILL AND ETCH BOARD	1	
2	2		1000026-00		680.0 MMF 100V 5%200PPM MICA	1	C54
3	3		1001631-00		390.0 MMF 100V 5%200PPM MICA	1	C101
4	4		1018000-25		220 MFD 16V 20% AL EL	1	C151
5	5		1009312-00		.0047 MFD 100V 1% MYLR	2	C203,C514
6	6		1010978-24		.01 MFD 50V 10% CER	1	C516
7	7		1010978-36		.1 MFD 50V 10% CER	1	C518
8	8		1012312-01		.47 MFD 50V +80-20% CER	4	C509,C512,C513,C521
9	9		1012784-00		.047 MFD 50V +80-20% CER	1	C223
10	10		1013280-00		680.0 MMF 1000V 5%200PPM MICA	1	C224
11	11		1013669-02		.10 MFD 150V 5% M.POLYPROP	3	C304,C307,C308
12	12		1014052-00		100 MFD 25V+100-10% AL EL	2	C102,C303
13	13		1016544-00		.1 MFD 100V 10% MYLR	6	C103,C150,C205,C211,C212,C302
14	14		1016546-00		.22 MFD 660V 10% MET. MYLR	2	C221,C222
15	15		1016548-00		1000 MFD 16V +50-10% AL EL	3	C215,C311,C312
16	16		1016549-00		47 MFD 10V +50-10% AL EL	2	C309,C313
17	17		1016557-00		470 MFD 16V +50-10% AL EL	4	C206,C214,C301,C523
18	18		1016558-00		10 MFD 25V 20% AL EL	1	C216
19	19		1016569-00		.0022 MFD 100V 10% MYLR	1	C306
20	20		1016571-00		.02 MFD 500V +80-20%Z5U DISC	1	C106
21	21		1016572-00		300.0 MMF 500V 10% X5P DISC	2	C200,C305
22	22		1018000-37		4.7MFD 100V +50-10% AL EL	2	C210,C517
23	23		1018000-28		1 MFD 100V 20% AL EL	2	C204,C310
24	24		1018000-29		10 MFD 25V 20% AL EL	3	C502,C505,C506
25	25		1018000-30		330 MFD 50V 20% AL EL	2	C501,C508
26	26		1019413-06		220 MFD 250V +50-10% AL EL	2	C503,C504
27	27		1019559-01		.02 MFD 1000V +80-20% CER	3	C218-C220
28	28		1020166-01		10 MFD 250V +50-10% AL EL	1	C105
29	29		1020308-03		47 MFD 100V +50-10% AL EL	1	C107
30	30		1020308-04		22 MFD 100V +50-10% AL EL	1	C104

REVISION HISTORY			BASIC PART NO: 5415651								
ENG	ECO NUMBER	REV	SECTION A OF A	DRN:	RITA BUREAU	DATE:	23-AUG-83	D I G I T A L			
---	INITIAL	A	SECTION VARIATION INDEX	CHK'D:	JOHN DEVIN	DATE:	26-AUG-83	TITLE PARTS LIST			
GC	5415651-TA001	B	[A] 01					MONITOR/POWER SUPPLY BOARD			
CG	5415651-TA003	C	[B]					DOCUMENT NUMBER			
CG	5415651-TA005	D	[C]	DES.ENG:	LOUIS JEAN	DATE:	26-AUG-83	SIZE	CODE	NUMBER	REV
GC	5415651-TA006	E	[D]					K	PL	5415651-0-DBP	E
			[E]	RESP.ENG.:	LOUIS JEAN	DATE:	26-AUG-83	RELEASE DATE: 08-FEB-85			
			[F]								
			[H]								
			[J]	MFG.ENG.:	CLYDE TANNER	DATE:	26-AUG-83				
			[K]								
			[L]	ASSEMBLY NUMBER:	D-UA-5415651-0-0	TOP DOCUMENT NUMBER:	#B-DD-5415651-0	FILE NAME:	Z5449E.PLS.	EDIT #	16
			[M]								
			[N]								

"THIS DRAWING AND THE SPECIFICATIONS CONTAINED HEREIN ARE CONFIDENTIAL AND PROPRIETARY. THEY ARE THE PROPERTY OF DIGITAL EQUIPMENT CORPORATION AND SHALL NOT BE REPRODUCED OR COPIED OR USED IN WHOLE OR IN PART AS THE BASIS FOR THE MANUFACTURE OR SALE OF ITEMS WITHOUT WRITTEN PERMISSION. THIS IS AN UNPUBLISHED WORK PROTECTED UNDER THE FEDERAL COPYRIGHT LAWS."

PARTS LIST

LINE	ITEM	TOP DOCUMENT	PART NUMBER	MIN REV	DESCRIPTION	VARIATION REVISION LEVEL:	QTY PER VARIATION	REFERENCE DESIGNATOR
							01 E1	
31	31		1021205-01		1000 MFD 10V +30-10% AL EL		1	C510
32	32		1021205-02		1000 MFD 25V +30-10% AL EL		1	C511
33	33		1021480-01		.068 MFD 200V 10% POLYPROP		1	C207
34	34		1021480-03		.0033 MFD 1000V 5% POLYPROP		2	C507,C530
35	35		1021480-04		.027 MFD 250V 5% POLYPROP		1	C208
36	36		1021931-01		5600.0 MMG 300V 5% MICA		1	C202
37	37		1022087-01		1000.0 MMF 100V 20% DISC		2	C515,C520
38	38		1022181-01		.51 MFD 400V 10%		1	C522
39	39		1021480-05		.022 MFD 250V 5% POLYPROP		1	C213
40	40		1100114-00		PIV= 25 IO=135 MA		2	D512,D513
41	41		1105796-00		PIV= 400 IO= 1.00A 1N4004 DO-41		10	D54,D103,D301,D501-D506,D511
42	42		1110836-00		VZ= 12.0 5% 400 MW 1N759A		1	D401
43	43		1112594-02		PIV= 600 IO= 3.00A		2	D200,D201
44	44		1112595-02		PIV= 600 IO= 1.00A AXIAL		6	D100-D102,D203,D507,D508
45	45		1115369-00		DIODE ARRY PIV= 100 IO= 1.00A		1	E501
46	46		1117555-01		RECT,ULTRA FAST PIV= 200 IO=16.0		2	D509,D510
47	47		1121435-01		RECT. ASSY PIV= 600 IO= 2.00A		1	D202
48	48		1121434-01		PIV= 700 1N5623		1	E503
49	49		1121923-01		1N 5519D 3.6 +,-1%		1	D1
50	50		1209340-00		MATE-N-LOK 08SKT(1X08) HSG		1	J5
51	51		1209456-01		MATE-N-LOK 01SKT 20-18AWG .0870D		8	
52	52		1212487-02		HEAT SINK 01.18X01.		2	
53	53		1215228-00		HEAT SINKS,T0-220 01.25X0.87		1	
54	54		1215323-02		PCB HEADER 02PIN(1X02).100CC STR		1	J7
55	55		1216521-00		PCB,HEADER 04PIN(1X04).156CC STR		1	J1
56	56		1216521-01		PCB,HEADER 08PIN(1X08).156CC STR		1	S201
57	57		1217485-03		MATE-N-LOK 06SKT(2X03).250CC ASS		1	J501
58	58		1218826-00		CONN,PHONE JACK 04 POS		1	J6
59	59		1218949-00		BUMPER,STRIP ADH BACK NEOPREN		1	
60	60		1220128-01		HEAT SINK,T0-202 1.450X01.		1	
61	61		1220959-02		CONN,D SUB 09PIN ASSY PC MNT		1	J4
62	62		1222100-01		HEAT SINK,FOR P/S OUTPUT DIODE		2	
63	63		1222103-01		SKT,CRT 07POS		1	
64	64		1300168-00		10.0 .50 W 5.0 % CF		1	R213
65	65		1300197-00		33.0 .25 W 5.0 % CF		3	R105,R504,R505
66	66		1300202-00		47.0 .25 W 5.0 % CF		1	R104
67	67		1300228-00		100.0 .50 W 5.0 % CF		3	R210,R217,R317
68	68		1300250-00		150.0 .25 W 5.0 % CF		1	R102
69	69		1300274-00		220.0 .50 W 5.0 % CF		1	R108
70	70		1300295-00		330.0 .25 W 5.0 % CF		1	R509
71	71		1300316-00		470.0 .25 W 5.0 % CF		2	R212,R316
72	72		1300365-00		1.0 K .25 W 5.0 % CF		4	R230,R254,R402,R403
73	73		1300391-00		1.50 K .25 W 5.0 % CF		1	R401
74	74		1300398-00		1.80 K .25 W 5.0 % CF		2	R106,R200
75	75		1300417-00		2.20 K .25 W 5.0 % CF		2	R54,R226
76	76		1300439-00		3.30 K .25 W 5.0 % CF		2	R107,R208
77	77		1300447-00		4.70 K .25 W 5.0 % CF		2	R113,R301
78	78		1300521-00		47.50 K .25 W 1.0 % RN55D-F10		1	R313

D I G I T A L	TITLE	SECTION A OF A	SIZE	CODE	DOCUMENT NUMBER	REV
	MONITOR/POWER SUPPLY BOARD		K	PL	5415651-0-DBP	E

LINE	ITEM	TOP DOCUMENT	PART NUMBER	MIN REV	DESCRIPTION	VARIATION	REVISION LEVEL:	QTY PER VARIATION	REFERENCE DESIGNATOR
								01 E1	
79	79		1319470-53		100.0 K	1.0 W 5.0 %	M.OXIDE	2	R502,R503
80	80		1301310-00		270.0 K	.25 W 5.0 %	CF	1	R225
81	81		1301320-00		1.20 K	.25 W 5.0 %	CF	2	R400,R206
82	82		1301775-00		820.0	.25 W 5.0 %	CF	1	R209
83	83		1319471-28		820.0	2.0 W 5.0 %	M.OXIDE	1	R109
84	84		1301969-00		22.0	.25 W 5.0 %	CF	1	R216
85	85		1301972-00		270.0	.25 W 5.0 %	CF	1	R231
86	86		1302177-00		47.0 K	.25 W 5.0 %	CF	1	R308
87	87		1302379-00		75.0	.25 W 5.0 %	CF	1	R103
88	88		1302396-00		150.0 K	.25 W 5.0 %	CF	1	R205
89	89		1302398-00		470.0 K	.25 W 5.0 %	CF	1	R515
90	90		1302465-00		18.0 K	.25 W 5.0 %	CF	2	R202,R215
91	91		1302466-00		100.0 K	.25 W 5.0 %	CF	2	R222,R224
92	92		1319471-09		56.0	2.0 W 5.0 %	M.OXIDE	1	R506
93	93		1303187-00		820.0 K	.25 W 5.0 %	CF	1	R309
94	94		1303360-00		4.70 K	.50 W 1.0 %	RN60D-F10	1	R311
95	95		1304841-00		75.0 K	.25 W 5.0 %	CF	2	R227,R228
96	96		1304854-00		5.11 K	.25 W 1.0 %	RN55D-F10	3	R517,R518,R520
97	97		1309150-08		500.0	.50 W10.0 %	POT	1	R527
98	98		1309405-00		68.0	.50 W 5.0 %	CF	3	R214,R508,R510
99	99		1309595-00		1.0 M	.25 W 5.0 %	CF	2	R219,R220
100	100		1311845-00		487.0	.25 W 1.0 %	RN55D-F10	1	R523
101	101		1312546-00		16.50 K	.25 W 1.0 %	RN55D-F10	1	R204
102	102		1312747-00		56.20 K	.25 W 1.0 %	RN55D-F10	1	R312
103	103		1312934-00		6.80 M	.25 W 5.0 %	CF	1	R223
104	104		1313349-00		33.0 K	.25 W 5.0 %	CF	1	R516
105	105		1313580-00		360.0	.25 W 5.0 %	CF	3	R229,R250,R251
106	106		1313752-00		15.0 K	.25 W 1.0 %	RN55D-F10	2	R514,R524
107	107		1313844-00		221.0 K	.25 W 1.0 %	RN55D-F10	1	R305
108	108		1314270-03		10.0	15.0 %	NTC THERM	2	R500,R501
109	109		1314615-00		.05	2.50 W 5.0 %	WW	1	R507
110	110		1314951-00		390.0 K	.25 W 5.0 %	CF	1	R304
111	111		1316522-01		100.0 K	.25 W20.0 %	POT	1	R307
112	112		1316522-05		250.0 K	.25 W20.0 %	POT	1	R303
113	113		1316522-08		5.0 K	.25 W20.0 %	POT	1	R203
114	114		1316522-09		100.0 K	.25 W20.0 %	POT	1	R211
115	115		1316525-00		1.0	3.0 W10.0 %	WW	1	R218
116	116		1316845-00		3.30	.50 W 5.0 %	CF	1	R310
117	117		1317399-00		6.49 K	.25 W 1.0 %	RN55D-F10	1	R519
118	118		1317522-00		1.0	.25 W 5.0 %	CF	2	R314,R315
119	119		1318201-01		4.75 K	.25 W 1.0 %	RN55D-F10	1	R511
120	120		1318546-33		267.0 K	.25 W 1.0 %	RN55D-F10	1	R302
121	121		1318546-48		562.0 K	.25 W 1.0 %	RN55D-F10	1	R306
122	122		1319563-01		5.0 M	.20 W20.0 %	POT	1	R221
123	123		1320082-03		250.0	.25 W30.0 %	POT	1	R101
124	124		1320082-04		100.0 K	.25 W30.0 %	POT	1	R111
125	125		1509524-00		2N 3904	NPN 310MW SI 40 40 M		1	Q400
126	126		1516490-00		MPSU05	NPN 10W SI 2A		1	Q201

D	I	G	I	T	A	L	TITLE	SECTION A	OF A	SIZE	CODE	DOCUMENT NUMBER	REV
							MONITOR/POWER SUPPLY BOARD			K	PL	5415651-0-DBP	E

PARTS LIST

LINE	ITEM	TOP DOCUMENT	PART NUMBER	MIN REV	DESCRIPTION	QTY	PER VARIATION	REFERENCE DESIGNATOR
					VARIATION REVISION LEVEL:	01		
						E1		
127	127		1520089-01		MDS 20 NPN 2W 250V 1.5A	1		Q203
128	128		1520090-01		13006 NPN 80W 300V 8A	1		Q202
129	129		1521002-01		2N 2369A NPN 200MA 15V T0-18	1		Q101
130	130		1521341-01		2SC2335 NPN 40W 7A	2		Q501,Q502
131	131		1521924-01		BF 457 NPN	1		Q102
132	132		1616309-02		XFMR,HORIZONTAL DRIVE	1		T201
133	133		1616536-00		XFMR HORIZONTAL WIDTH	1		L201
134	134		1616538-00		COIL,HORIZONTAL,LINEAR	1		L202
135	135		1618238-02		BEAD,FERRITE .1380DX.330LG	12		L200,L203-L205,L601-L608
136	136		1621180-01		XFMR,CONVERTER	1		T501
137	137		1621638-01		XFMR P=110/220V 60HZ	1		T502
138	138		1621942-01		PULSE XFMR,3-WOUND	1		T504
139	139		1621943-01		CHOKE,COIL,250UH+10%	1		L501
140	140		1621944-01		CHOKE,COUPLING	1		T503
141	141		1622101-01		CHOKE,COIL, 35UH,2.2ADC	1		L502
142	142		1912048-02		DEC 7812 VOLT REG,FIX +12V	1		E502
143	143		1914156-00		LM 393 VOLT.COMPARATOR DUAL	1		E506
144	144		1914517-01		7912 VOLT REG,FIX -12V	1		E504
145	145		1916820-00		SG3525J MODULATOR-REGULATING	1		E505
146	146		1919235-00		TDA 1170 AMP,VERTICAL DEFLECT	1		E301
147	147		1921463-01		1391 TV HORIZ. PROCESSOR	1		E201
148	148		7428565-01		THUMBWHEEL	2		
149	149		9006010-01		SCREW,MACH PAN PHIL 4-	2		
150	150		9006401-04		SCREW,NYLN BIND SLOT 4-	2		
151	151		9006557-00		NUT,HEX EXT TOOTH LCKWSHR 4-40	6		
152	152		9007925-01		TERM,QUICK .250TAB 2POS 18-2	1		
153	153		9007992-00		NUT,HEX 4-40X .246AF NYLO	2		
154	154		9008185-00		NUT,HEX EXT TOOTH LCKWSHR 6-32	2		
155	155		9008301-01		SCREW,MACH PAN PHIL 4-	4		
156	156		9009538-00		BUMPER, ADH BACK RUBBER	1		
157	157		9009798-01		*** THIS ITEM IS NOT USED ***	-		
158	158		9009993-01		WASHER,INSUL,TRANSISTOR PLASTIC	2		
159	159		9009996-00		TIE,CABLE PRELOADED MAG.100 EA	3		
160	160		9010421-01		*** THIS ITEM IS NOT USED ***	-		
161	161		9010494-01		WASHER,INSULATING	1		
162	162		9107255-00		TUBING,SHRINK .125ID EXP	20		
163	163		9006020-01		SCREW,MACH PAN PHIL 6-	2		
164	164		1301424-00		680.0 .25 W 5.0 % CF	2		R525,R526
165	165		9010057-00		WASHER,SHOULDER INSULATG PPS	4		
166	166	C-MD-7427754-0-DBU	7427754-01		*** THIS ITEM IS NOT USED ***	-		
167	167		1302391-00		20.0 K .25 W 5.0 % CF	1		R112
168	168		1303219-00		82.0 K .25 W 5.0 % CF	1		R110

D	I	G	I	T	A	L	TITLE	SECTION A	OF A	SIZE	CODE	DOCUMENT NUMBER	REV
							MONITOR/POWER SUPPLY BOARD			K	PL	5415651-0-DBP	E

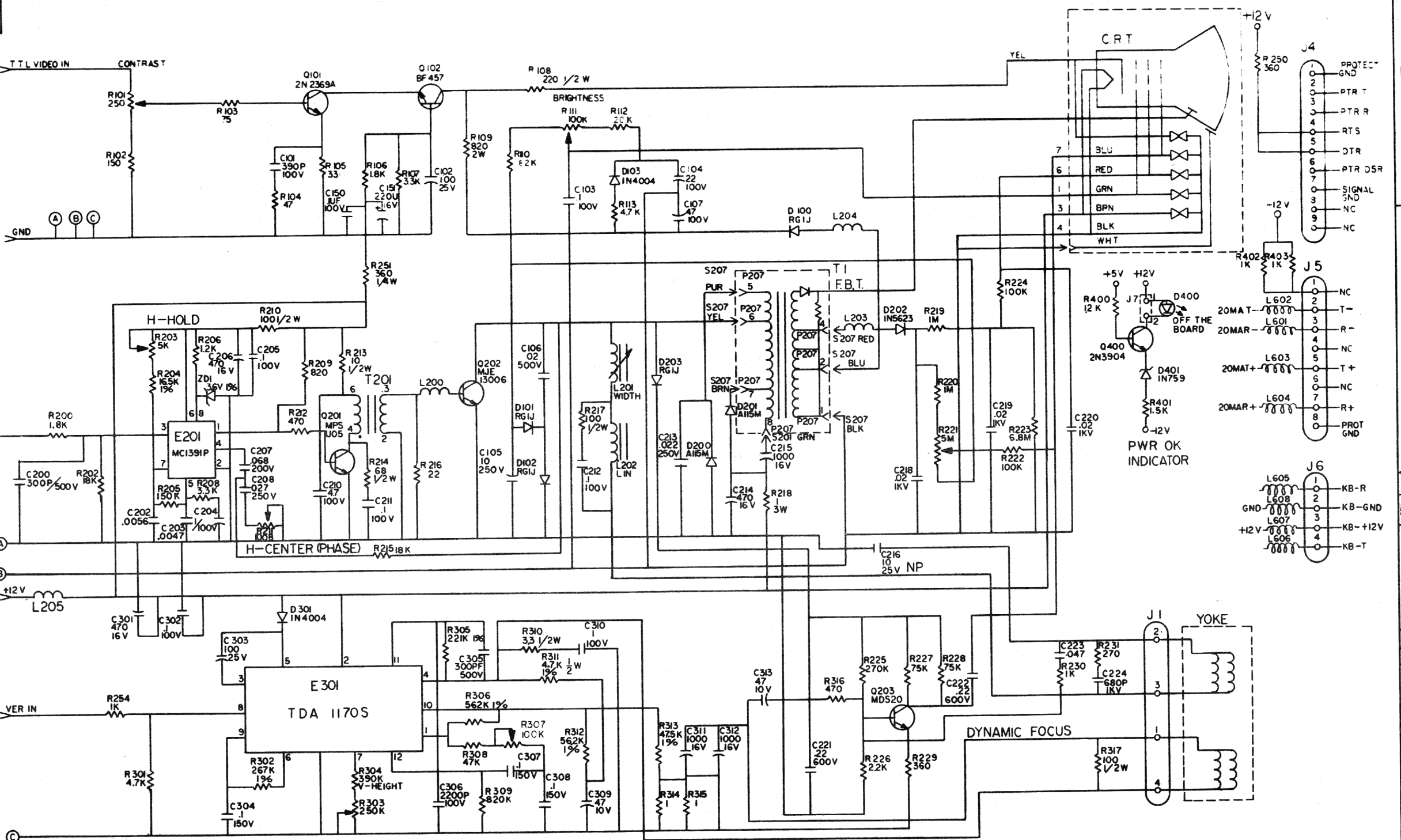
THIS DRAWING AND THE SPECIFICATIONS CONTAINED HEREIN ARE CONFIDENTIAL AND PROPRIETARY. THEY ARE THE PROPERTY OF DIGITAL EQUIPMENT CORPORATION AND SHALL NOT BE REPRODUCED OR COPIED OR USED IN WHOLE OR IN PART AS THE BASIS FOR MANUFACTURE OR SALE OF ITEMS WITHOUT WRITTEN PERMISSION. THIS IS AN UNPUBLISHED WORK PROTECTED UNDER THE FEDERAL COPYRIGHT LAWS.

CS 541565I-0-1

- J2
- 13 VIDEO GND
 - 14 VIDEO GND
 - 15 HOR
 - 16 VERT
 - 17 VIDEO
 - 18 GND
 - 19 GND
 - 20 +5V
 - 21 +5V
 - 22 +5V
 - 23 +12V
 - 24 PTR DSR
 - 25 PTR T
 - 26 PTR R
 - 27 KBT
 - 28 KBR
 - 29 20 MA T
 - 30 20 MA R
 - 31 20 MA T
 - 32 20 MA R
 - 33 TEST/STATUS
 - 34 PROD RESET

- J5
- 1 NC
 - 2 20MA T
 - 3 20MA R
 - 4 20MA T
 - 5 20MA R
 - 6 NC
 - 7 T+
 - 8 T-
 - 9 NC
 - 10 R+
 - 11 R-
 - 12 PROT GND

- J6
- 1 KB-R
 - 2 KB-GND
 - 3 KB-+12V
 - 4 KB-T

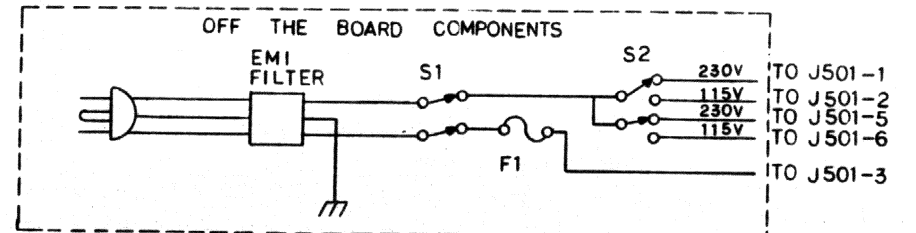
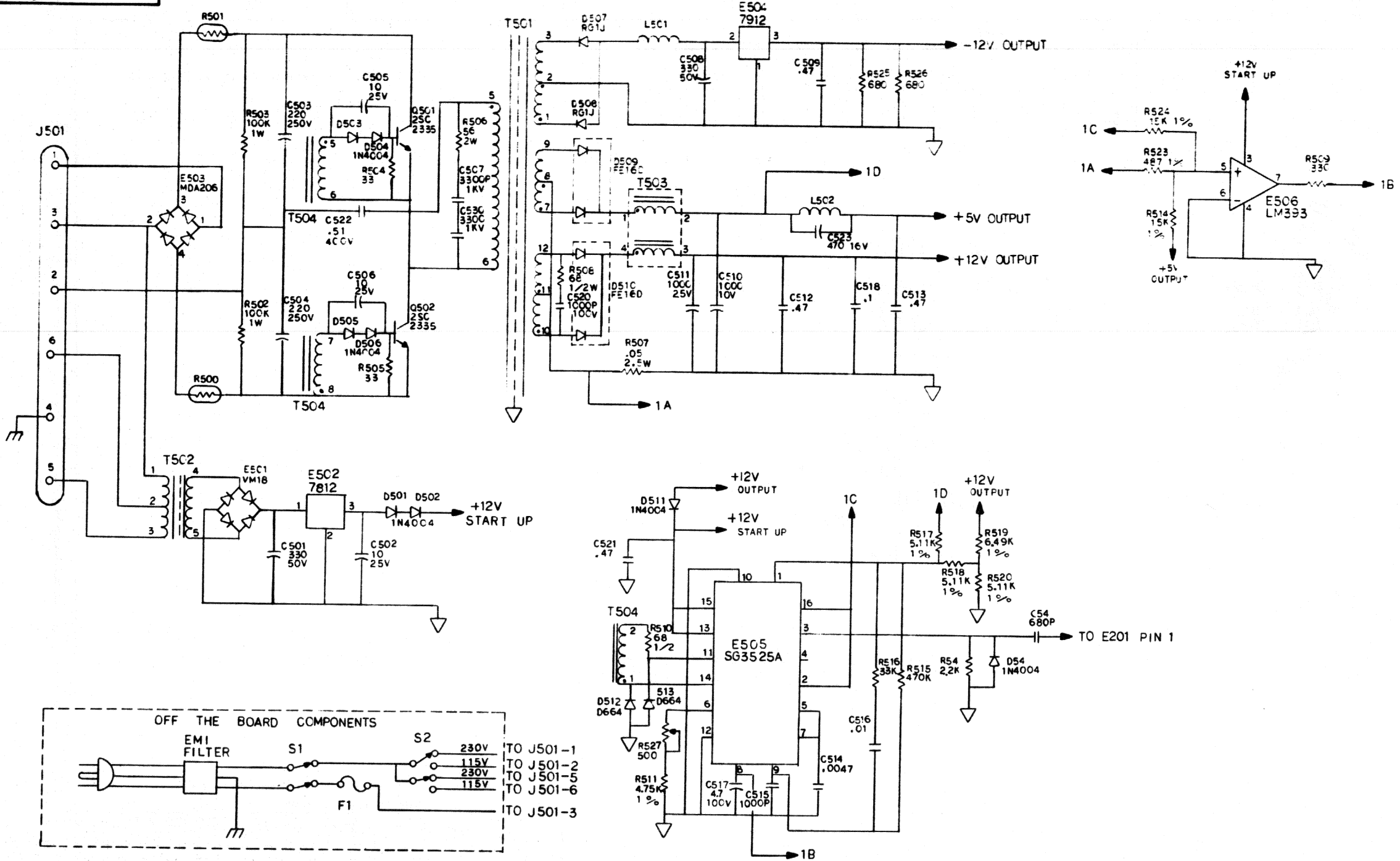


REV.	ECO NUMBER	DATE
A	INT REL	B
284	5415651	TAO 01
G. CHRISTIENSEN		
584	5415651	TAO 02
G. CHRISTIENSEN		
684	5415651	TAO 03
G. CHRISTIENSEN		
12/84	5415651	TAO 06
W. SAIAS		
2/85	5415651	TAO 07
W. SAIAS		

DRN	V LIN	DATE	17-JUN-83	TITLE	digital
CHG'D	J. B. LUO	DATE	17-JUN-83	VT220 P/S AND	
DES. ENG.	J B LUO	DATE	17-JUN-83	MONITOR BD.	
RESP. ENG.	JANE LOUIS	DATE	17-JUN-83		
APP. ENG.	CLYDE TANNER	DATE	8-25-83		
TOP REV. NO.	B-DD-541565I-0	SCALE	NONE	SHEET	1 of 2

REV. F CS 541565I-0-1

THIS DRAWING AND THE SPECIFICATIONS CONTAINED HEREIN ARE CONFIDENTIAL AND PROPRIETARY. THEY ARE THE PROPERTY OF DIGITAL EQUIPMENT CORPORATION AND SHALL NOT BE REPRODUCED OR COPIED OR USED IN WHOLE OR IN PART AS THE BASIS FOR THE MANUFACTURE OR SALE OF THIS WITHOUT WRITTEN PERMISSION. THIS IS AN UNPUBLISHED WORK PROTECTED UNDER THE FEDERAL COPYRIGHT LAWS.



REVISION HISTORY		
REV.	BOB NUMBER	DATE

TITLE
VT220 P/S AND
MONITOR BD.

DOCUMENT NUMBER		
SIZE	CODE	NUMBER
D	CS	5415651-0-1
SCALE	NONE	SHEET 2 OF 2

REV. F
5415651-0-1

8701

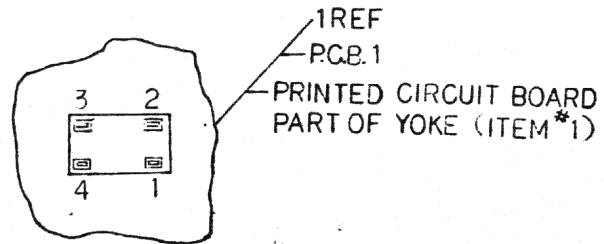
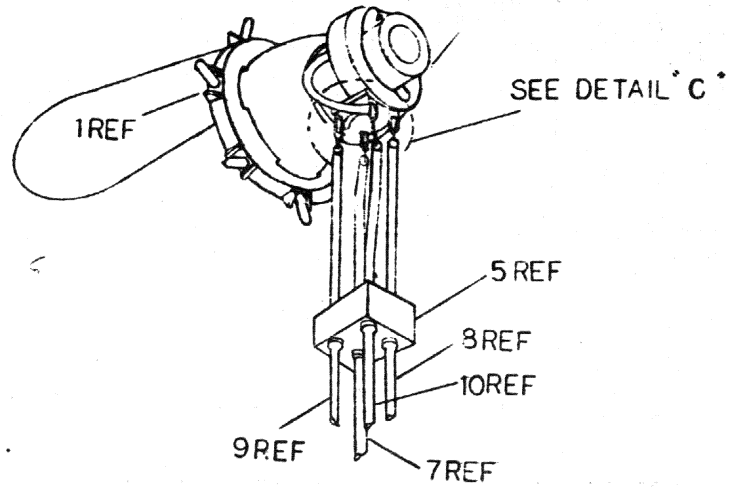
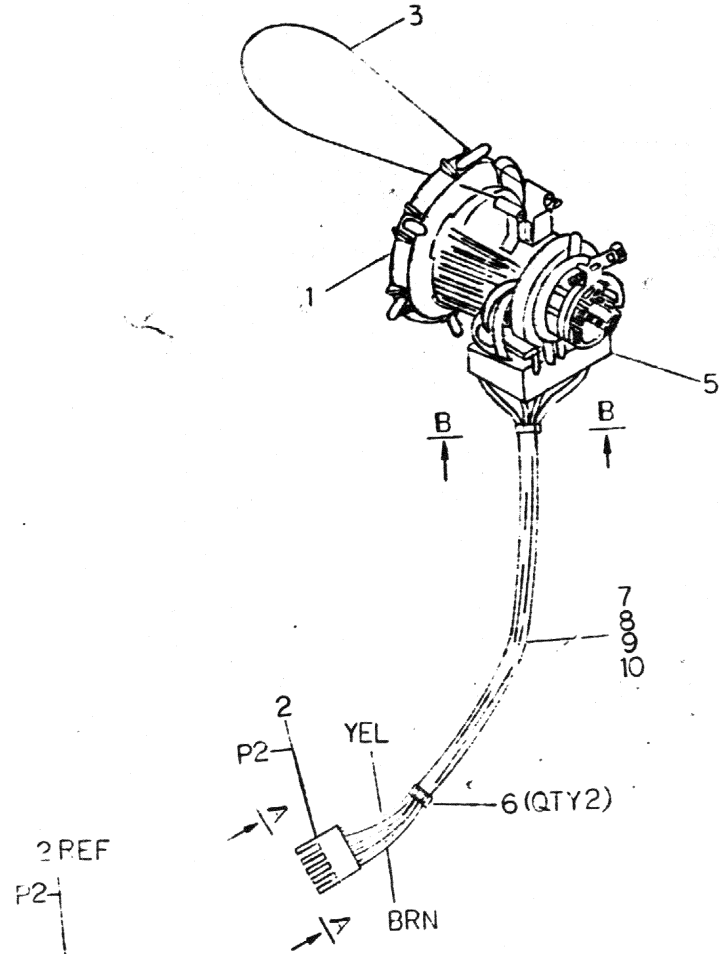
THIS DRAWING AND SPECIFICATIONS HEREBY ARE THE PROPERTY OF DIGITAL EQUIPMENT CORPORATION AND SHALL NOT BE REPRODUCED OR COPIED IN WHOLE OR IN PART AS THE BASIS FOR THE MANUFACTURE OR SALE OF ITEMS WITHOUT WRITTEN PERMISSION.
 © 1983 DIGITAL EQUIPMENT CORPORATION

NUMBER	REV	VARIATION
70 20780-01	A2	AS SHOWN

ITEM NO	DESCRIPTION		FROM		TO		WIRE LENGTHS
	AMTS	COLOR	CONNECTION	WITH	CONNECTION	WITH	
9	22	YEL	PCB1-4	*	P2-4	4	9.5 IN
10	22	GRN	PCB1-3	*	P2-2	4	9.5 IN
8	22	RED	PCB1-2	*	P2-3	4	10.3 IN
7	22	BRN	PCB1-1	*	P2-1	4	10.3 IN

* INDICATES SOLDER

NOTES:
 1. SLIDE TERMINAL COVER (ITEM*5) OVER WIRES.
 2. SOLDER WIRES TO TERMINALS AS SPECIFIED BY COLOR.
 USING WIRE TABLE



CAUTION: OFF SHEET PARTS LIST EXISTS
 REFER TO K-PL-7020780-0-DBP

REV	DATE	BY	APP'D	DESCRIPTION
1	7-1-83	WIL		ISSUE FOR PRODUCTION
2	7-2-83	WIL		REVISION TO DRAWING

FIRST USED ON
 VT220

DESCRIPTION	DRAWING NO.	PART NO.	ITEM NO.
UNLESS OTHERWISE SPECIFIED DIMENSIONS ARE IN INCHES AND THE FOLLOWING TOLERANCES APPLY (PER DEC STD 114)			
DIMENSION RANGE IN INCHES			
INCHES TOLERANCES	ANGLES ± 0° 30'	SURFACE QUALITY	
		MICROFINISH	
3-6	± 0.1	✓	
6-18	± 0.05	✓	
18-30	± 0.04	✓	
30-48	± 0.03	✓	
48-72	± 0.02	✓	
72-96	± 0.01	✓	
96-120	± 0.01	✓	
120-150	± 0.005	✓	
150-180	± 0.0025	✓	
180-240	± 0.0012	✓	
240-300	± 0.0005	✓	
300-360	± 0.00025	✓	
360-480	± 0.00012	✓	
480-720	± 0.00005	✓	
720-1200	± 0.000025	✓	
1200-1800	± 0.000012	✓	
1800-3000	± 0.000005	✓	
3000-4800	± 0.0000025	✓	
4800-7200	± 0.0000012	✓	
7200-12000	± 0.0000005	✓	
12000-18000	± 0.00000025	✓	
18000-30000	± 0.00000012	✓	
THIRD ANGLE PROJECTION			
DESIGNED BY	H.M.HSIAO	DATE	4-JUN-83
CHIEF ENGINEER	J.B.LOU	DATE	4-JUN-83
DESIGNED BY	LOUIS JEAN	DATE	4-JUN-83
CHIEF ENGINEER	LOUIS JEAN	DATE	4-JUN-83
CHECKED BY	LS	DATE	8-9-83
ENGINEER		DATE	
MATERIAL		DRAWN BY	
FINISH		SCALE	
DRAWING NO. DIA-7020780-00			
PART NO. 7020780-00			
ITEM NO. B			
TITLE YOKES ASSEMBLY			
DOCUMENT NUMBER			

AUTOMATED BY PRTLST.4Q(50)

PARTS LIST

SHEET A1 OF A1

LINE	ITEM	TOP DOCUMENT	PART NUMBER	MIN REV	DESCRIPTION	QTY	PER VARIATION
					VARIATION REVISION LEVEL:	01	A2
1	1		1220096-02		YOKE, DEFLECTION	1	
2	2		1216520-01		CONN, P+S 04POS(1X04) HSG	1	
3	3		1216518-02		SPRING, GROUNDNG WIR .0430DX11.31	1	
4	4		1216519-00		CONN, P+S 01POS 24-18AWG CANTIL	4	
5	5	C-MD-7425911-0-0	7425911-00		COVER, TERMINAL (49-TA306-00)	1	
6	6		9009996-00		TIE, CABLE PRELOADED MAG.100 EA	2	
7	7	SEE NOTE	9107804-11		WIRE, 22AWG(07/30)PVC 600V1	REF	
8	8	SEE NOTE	9107804-22		WIRE, 22AWG(07/30)PVC 600V1	REF	
9	9	SEE NOTE	9107804-44		WIRE, 22AWG(07/30)PVC 600V1	REF	
10	10	SEE NOTE	9107804-99		WIRE, 22AWG(07/30)PVC 600V1	REF	

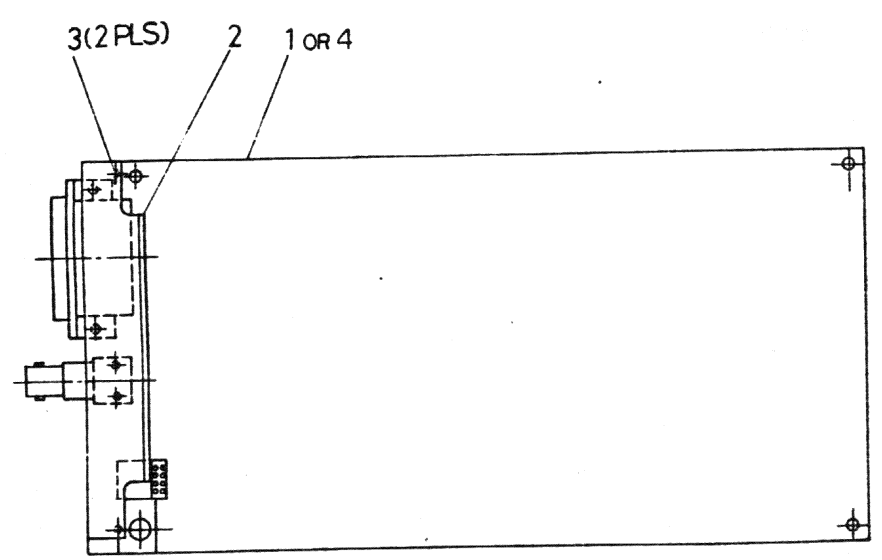
11 NOTE: ITEM #7 IS 10.3 IN., ITEM #8 IS 10.3 IN., ITEM #9 IS 9.5 IN., ITEM #10 IS 9.5 IN.

REVISION HISTORY		BASIC PART NO: 7020780	
ENG	ECO NUMBER	REV	SECTION A OF A
GW	INITIAL 7020780-TA01A	A B	SECTION VARIATION INDEX [A]01
			[B]
			[C]
			[D]
			[E]
			[F]
DRN: L. JEAN		DATE: 1-JUL-83	
CHK'D: S. TSAI		DATE: 19-AUG-83	
DES. ENG: L. JEAN		DATE: 1-JUL-83	
RESP. ENG.: S. TSAI		DATE: 19-AUG-83	
MFG. ENG.: G. WU		DATE: 19-AUG-83	
ASSEMBLY NUMBER: D-IA-7020780-0-0		TOP DOCUMENT NUMBER: D-IA-7020780-0-0	
DIGITAL		TITLE YOKE ASSY	
DOCUMENT NUMBER		SIZE CODE NUMBER	
K PL 7020780-0-DBP		REV B	
RELEASE DATE: 08-MAR-84		FILE NAME: Z7631B.PLS	
		EDIT # 8	

"THIS DRAWING AND THE SPECIFICATIONS CONTAINED HEREIN ARE CONFIDENTIAL AND PROPRIETARY. THEY ARE THE PROPERTY OF DIGITAL EQUIPMENT CORPORATION AND SHALL NOT BE REPRODUCED OR COPIED OR USED IN WHOLE OR IN PART AS THE BASIS FOR THE MANUFACTURE OR SALE OF ITEMS WITHOUT WRITTEN PERMISSION. THIS IS AN UNPUBLISHED WORK PROTECTED UNDER THE FEDERAL COPYRIGHT LAWS."

THIS DRAWING AND SPECIFICATIONS HEREIN ARE THE PROPERTY OF DIGITAL EQUIPMENT CORPORATION AND SHALL NOT BE REPRODUCED OR COPIED OR USED IN WHOLE OR IN PART AS THE BASIS FOR THE MANUFACTURE OR SALE OF ITEMS WITHOUT WRITTEN PERMISSION.
COPYRIGHT © 1983 DIGITAL EQUIPMENT CORPORATION

LEGEND		
NUMBER	REV	DESCRIPTION
7020814-01	A1	W/V1.0 FIRMWARE
7020814-02	A1	W/V2.0 FIRMWARE



CAUTION
OFF SHEET PARTS LIST EXIST. SEE
K-PL-7020814-0-DBP

DATE	REVISION HISTORY	REV
9/28/82	INITIALS	A
10/21/82	VT220-TA003	B
11/18/82	VT220-INTERVAL	B
	S. WU	B
	K. Shen	B
	S. F. T sai	B

FIRST USED ON
VT220

DESCRIPTION	DRAWING NO.	PART NO.	ITEM NO.
UNLESS OTHERWISE SPECIFIED DIMENSIONS ARE IN INCHES AND THE FOLLOWING TOLERANCES APPLY (PER DSC STD 114)			
INCHES TOLERANCES	ANGLES ± 0° 30'	APPLICABLE DIMENSION RANGE	
		DIMENSION RANGE IN INCHES	
SURFACE QUALITY		DIMENSION RANGE IN INCHES	
I- ± 0.1		OVER 0	OVER 0.2
II- ± 0.05		TO 0.2	TO 1.2
III- ± 0.005		TO 0.2	TO 4.0
		TO 12.0	TO 40.0
		TO 40.0	TO 95.0
X- ± 0.002		± 0.001	± 0.002
Y- ± 0.001		± 0.001	± 0.002
Z- ± 0.0005		± 0.0005	± 0.001
S- ± 0.0002		± 0.0002	± 0.0005
THIRD ANGLE PROJECTION			
DESIGNED BY	K. L. SHEN	DATE	6-JUNE-83
CHECKED BY	S. F. T sai	DATE	20-JUN-83
DRIVEN BY	K. L. SHEN	DATE	6-JUNE-83
DESIGNED BY	S. F. T sai	DATE	20-JUN-83
TITLE	TCB BEZEL ASSY		
MATERIAL		CHECKED BY	S. WU
		DATE	8-9-83
PREPARED BY	S. F. T sai	DATE	20-JUN-83
DRAWN BY		DATE	
		DATE	
SCALE	D-AD-7020814-0-0		
SCALE	1:1		
		DRAWING NUMBER	D AD 7020814-0-0
		REV	B
		SHEET	1 OF 1

8
7
6
5
4
3
2
1
a
b
c
d
D
C
B
A

AUTOMATED BY PRTLST.4Q(50)

PARTS LIST

SHEET A1 OF A1

LINE	ITEM	TOP DOCUMENT	PART NUMBER	MIN REV	DESCRIPTION	QTY PER VARIATION	
						01	02
					VARIATION REVISION LEVEL:	A1	A1
1	1	D-UA-5415653-0-0	5415653-01		TERMINAL COMP.	1	-
2	2	C-MD-7:29063-0-0	7429063-01		BEZEL,TCB	1	1
3	3		9010482-01		SCREW, PAN PHIL THD RL 2-	2	2
4	4	D-UA-5415653-0-0	5415653-02	A	VT220 TERMINAL CONTROLLER BD.	-	1

REVISION HISTORY			BASIC PART NO: 7020814						
ENG	ECO NUMBER	REV	SECTION A OF A	DRN:	K. SHEN	DATE:	13-MAY-83	D I G I T A L	
---	INITIAL	A	SECTION VARIATION INDEX	CHK'D:	S. TSAI	DATE:	19-AUG-83	TITLE PARTS LIST	
G W	VT220-TA003	B	(A)01,02					TCB BEZEL ASSY	
			(B)	DES.ENG:	K. SHEN	DATE:	13-MAY-83	DOCUMENT NUMBER	
			(C)					SIZE	CODE
			(D)	RESP.ENG.:	S. TSAI	DATE:	19-AUG-83	K	PL
			(E)					7020814-0-DBP	
			(F)	MFG.ENG.:	G. WU	DATE:	19-AUG-83	RELEASE DATE: 22-OCT-84	
				ASSEMBLY NUMBER:	D-AD-7020814-0-0	TOP DOCUMENT NUMBER:	D-AD-7020814-0-0	FILE NAME:	Z7659B.PLS
								EDIT #	4

"THIS DRAWING AND THE SPECIFICATIONS CONTAINED HEREIN ARE CONFIDENTIAL AND PROPRIETARY. THEY ARE THE PROPERTY OF DIGITAL EQUIPMENT CORPORATION AND SHALL NOT BE REPRODUCED OR COPIED OR USED IN WHOLE OR IN PART AS THE BASIS FOR THE MANUFACTURE OR SALE OF ITEMS WITHOUT WRITTEN PERMISSION. THIS IS AN UNPUBLISHED WORK PROTECTED UNDER THE FEDERAL COPYRIGHT LAWS."

"THE MATERIAL HEREIN IS FOR INFORMATION PURPOSES ONLY AND IS SUBJECT TO CHANGE WITHOUT NOTICE. DIGITAL EQUIPMENT CORPORATION ASSUMES NO RESPONSIBILITY FOR ANY ERRORS WHICH MAY APPEAR HEREIN."

FIELD MAINTENANCE PRINT SET

"THIS DRAWING AND SPECIFICATIONS, HEREIN ARE THE PROPERTY OF DIGITAL EQUIPMENT CORPORATION AND SHALL NOT BE REPRODUCED OR COPIED OR USED IN WHOLE OR IN PART AS THE BASIS FOR THE MANUFACTURE OR SALE OF ITEMS WITHOUT WRITTEN PERMISSION. COPYRIGHT © 1985 DIGITAL EQUIPMENT CORPORATION"

TABLE OF CONTENTS

B-TC-LK201-0-1	FIELD MAINTENANCE PRINT SET
B-DD-LK201-0	LK201-A (DRAWING DIRECTORY ONLY)
E-UA-LK201-A-0	UNIT ASSY. LK201-A KEYBOARD
K-PL-LK201-A-DBP	UNIT ASSY. LK201-A KEYBOARD (PL)
E-UA-LK201-B-0	UNIT ASSY. LK201-B KEYBOARD
K-PL-LK201-B-DBP	UNIT ASSY. LK201-B KEYBOARD (PL)
E-UA-LK201-C-0	UNIT ASSY. LK201-C KEYBOARD
K-PL-LK201-C-DBP	UNIT ASSY. LK201-C KEYBOARD (PL)
B-PL-LK201-A	SHIPPING LIST LK201-A
E-UA-5415148-0-0	ENCODING MODULE ASSY.
D-CS-5415148-0-1	ENCODING MODULE (SCHEMATIC)
B-DD-5415148-0	ENCODING MODULE (DRAWING DIRECTORY ONLY)
K-PL-5415148-0-DBP	ENCODING MODULE (PL)
E-IA-5415172-0-DBU	MEMBRANE ASSY, SWITCH ARRAY, LK201 KEYBOARD
K-PL-5415172-0-DBP	MEMBRANE ASSY, SWITCH ARRAY, LK201 KEYBOARD (PL)
D-CS-5415172-0-1	MEMBRANE ASSY, SWITCH ARRAY, LK201 KEYBOARD (SCHEMATIC)
B-DD-5415172-0	MEMBRANE ASSY, SWITCH ARRAY, (DRAWING DIR. ONLY)
A-PA-3700698-0-0	PKG. KEYBOARD LK201-A

UNIT VARIATIONS COVERED BY THIS PRINT SET	
LK201-A	LK201-CB
LK201-AA	LK201-CC
LK201-AC	LK201-CD
LK201-AD	LK201-CF
LK201-AE	LK201-CH
LK201-AF	LK201-CI
LK201-AG	LK201-CJ
LK201-AH	LK201-CK
LK201-AI	LK201-CL
LK201-AJ	LK201-CM
LK201-AK	LK201-CN
LK201-AL	LK201-CS
LK201-AM	LK201-CZ
LK201-AN	LK201-AU
LK201-AP	LK201-AY
LK201-AS	LK201-BD
LK201-AB	LK201-BF
LK201-AZ	LK201-BM
LK201-BA	LK201-BN
LK201-CA	
LK201-CF	
LK201-CG	
LK201-CP	
LK201-BE	
LK201-BZ	
LK201-AT	
LK201-BG	
LK201-BI	
LK201-BP	
LK201-BS	

LK201-0-1
Field Maintenance Print Set

Digital Equipment Corporation

Print Set Part Number **MP-01395**

REVISION HISTORY		DRN.	DATE	TITLE
REV.	A	M. THOMPSON	21 MAY 82	UNIT ASSY (LK201)
ECO NUMBER	B	C. LARSON	23 JUN 82	
INITIAL	C	R. LEITERMANN	23 JUN 82	
LK201-ML002	D	A. LEN	23 JUN 82	
LK201-ML006	E	E. WELCH	23 JUN 82	
LK201-ML007	F			DOCUMENT NUMBER
LK201-A-ML008	H			SIZE CODE NUMBER REV.
LK201-A-ML009				B TC LK201-0-1 H
LK201-A-ML012				SHEET 1 OF 1
DATE		NEXT HIGHER DOC.		
15-JUN-82		B-DD-LK201-0		
03-NOV-82				
23-MAY-83				
22-JUL-83				
27-OCT-83				
01-JUN-84				
26-MAR-85				

REV. H
NUMBER LK201-0-1
SIZE CODE B TC

DRAWING NO.	NO OF SPTS	PART NO.	DESCRIPTION	REVISIONS															
				L	M														
E-UA-LK201-A-0			KEYBOARD	L	M														
K-PL-LK201-A-DBP			KEYBOARD (PL)	L	M														
K-SP-LK201-A-2			KEYBOARD DESIGN SPECIFICATION	B	B														
A-SP-LK201-A-0			LK200 FUNCTIONAL SPECIFICATION	A	A														
		MP-01395-00	KEYBOARD, LK201-A (MP)	REF	REF														
B-TC-LK201-0-1			KEYBOARD (TC)	H	H														
		LK201-A	LOW PROFILE 105 KEY KEYBOARD (SUBSET OF LK200)	REF	REF														
		LK201-AA	LK201-A W USA/CANADA KEYCAPS, BCC01, USA 120V POWER CORD	K1	L1														
		LK201-AB	LK201-A W FLEMISH KEYCAPS, BCC01, BNO3A-2E, 220V POWER CORD	K1	K1														
		LK201-AC	LK201-A W CANADIAN FRENCH KEYCAPS BCC01, USA 120V POWER CORD	K1	L1														
		LK201-AD	LK201-A W DENMARK KEYCAPS, BCC01, BNO6A-2E, 220V POWER CORD	K1	K1														
		LK201-AE	LK201-A W UK KEYCAPS, BCC01, BNO2A-2E, 240V POWER CORD	K1	K1														
		LK201-AF	LK201-A W FINNISH KEYCAPS, BCC01, BNO3A-2E, 220V POWER CORD	K1	K1														
		LK201-AG	LK201-A W GERMAN KEYCAPS, BCC01, BNO3A-2E, 220V POWER CORD	K1	K1														
		LK201-AH	LK201-A W HOLLAND KEYCAPS, BCC01, BNO3A-2E, 220V POWER CORD	K1	K1														
		LK201-AI	LK201-A W ITALIAN KEYCAPS, BCC01, BN17A-2E, 220V POWER CORD	K1	K1														
		LK201-AJ	LK201-A W KATA KANA KEYCAPS, BCC01, USA 120V POWER CORD	K1	K1														
		LK201-AK	LK201-A W SWISS-FRENCH KEYCAPS, BCC01, BNO4A-2E, 220V POWER CORD	K1	K1														
		LK201-AL	LK201-A W SWISS-GERMAN KEYCAPS, BCC01, BNO4A-2E, 220V POWER CORD	K1	K1														

NOTES:

REVISION HISTORY		REV.															
DATE	ECO NO.			J	K												
MAR-25-85	LK201-A-ML012																
MAY-06-85	LK201-A-ML013																

THIS DRAWING AND THE SPECIFICATIONS CONTAINED HEREIN ARE CONFIDENTIAL AND PROPRIETARY. THEY ARE THE PROPERTY OF DIGITAL EQUIPMENT CORPORATION AND SHALL NOT BE REPRODUCED OR COPIED OR USED IN WHOLE OR IN PART AS THE BASIS FOR THE MANUFACTURE OR SALE OF ITEMS WITHOUT WRITTEN PERMISSION. THIS IS AN UNPUBLISHED WORK PROTECTED UNDER THE FEDERAL COPYRIGHT LAWS. 1985



DRN. M. THOMPSON	DATE 21-MAY-83	TITLE	
CHK'D C. LARSON	DATE 21-JUN-82	UNIT ASSY (LK201)	
DES. ENG. ART LEN	DATE 14-JUN-82	DOCUMENT NUMBER	
RESP. ENG. ART LEN	DATE 14-JUN-82	SIZE B	CODE DD
MFG. ENG. L. QUARLES	DATE 14-JUN-82	NUMBER LK201-0	REV K
		SHEET 1	OF 4

DRAWING NO.	NO. OF SHTS.	PART NO.	DESCRIPTION	REVISIONS											
				REV	DATE	ECO NO.	REV.	REV	DATE	ECO NO.	REV.	REV	DATE	ECO NO.	REV.
		LK201-AM	LK201-A W SWEDISH KEYCAPS, BCC01, BNO3A-2E, 220V POWER CORD	K1			K1								
		LK201-AN	LK201-A W NORWEGIAN KEYCAPS, BCC01, BNO3A-2E, 220V POWER CORD	K1			K1								
		LK201-AP	LK201-A W FRENCH KEYCAPS, BCC01, BNO3A-2E, 220V POWER CORD	K1			K1								
		LK201-AS	LK201-A W SPAIN KEYCAPS, BCC01, BNO3A-2E, 220V POWER CORD	K1			K1								
		LK201-AT	LK201-A W HEBREW KEYCAPS, BCC01, 17-0045 220V POWER CORD	K1			K1								
		LK201-AU	LK201-A W ICELANDIC KEYCAPS, BCC01, BNO2A-2E, 240V POWER CORD	A1			A1								
		LK201-AY	LK201-A W HIRAGANA KEYCAPS, BCC01, USA 120V CORD	A1			A1								
		LK201-AZ	LK201-AA EXCEPT AUSTRALIAN BNO5A-2E, 250V POWER CORD	K1			K1								
E-UA-LK201-B-0			KEYBOARD	B			C								
K-FL-LK201-B-DBP			KEYBOARD (PL)	B			C								
		LK201-B	LOW PROFILE WORD PROCESSING KEYBOARD	REF			REF								
		LK201-BA	LK201-A W WPS USA/CANADA KEYCAPS, BCC01, USA 120V POWER CORD	K1			L1								
		LK201-BD	LK201-A W WPS DENMARK KEYCAPS, BCC01, BNO6A-2E, 220V POWER CORD	A1			A1								
		LK201-BE	LK201-A W WPS UK KEYCAPS, BCC01, BNO2A-2E, 240V POWER CORD	K1			K1								
		LK201-BF	LK201-A W WPS FINLAND KEYCAPS, BCC01, BNO3A-2E, 220V POWER CORD	A1			A1								
		LK201-BG	LK201-A W WPS GERMAN KEYCAPS, BCC01, BNO3A-2E, 220V POWER CORD	K1			K1								
NOTES:				REVISION HISTORY											
				DATE	ECO NO.	REV.									
				MAR 85	LK201-A-ML012	J									
			MAY 85	LK201-A-ML013	K										

digital

TITLE

UNIT ASSY (LK201)

DOCUMENT NUMBER

SIZE	CODE	NUMBER	REV.
B	DD	LK201-0	K
		SHEET 2	OF 4

DRAWING NO.	NO OF SHTS	PART NO.	DESCRIPTION	REVISIONS																
		LK201-BI	LK201-A W WPS ITALIAN KEYCAPS, BCC01, BN17A-2E, 220V POWER CORD	K1	K1															
		LK201-BM	LK201-A W WPS SWEDISH KEYCAPS, BCC01, BNO3A-2E, 220V POWER CORD	A1	A1															
		LK201-BN	LK201-A W WPS NORWEGIAN KEYCAPS, BCC01, BNO3A-2E, 220V POWER CORD	A1	A1															
		LK201-BP	LK201-A W WPS FRENCH KEYCAPS, BCC01, BNO3A-2E, 220V POWER CORD	K1	K1															
		LK201-BS	LK201-A W WPS SPAIN KEYCAPS, BCC01, BNO3A-2E, 220V POWER CORD	K1	K1															
		LK201-BZ	LK201-BA EXCEPT AUSTRALIAN BNO5A-2E, 250V POWER CORD	K1	K1															
E-UA-LK201-C-0			KEYBOARD	B	C															
K-PL-LK201-C-DBP			KEYBOARD (PL)	B	C															
		LK201-C	LOW PROFILE 105 KEY VAXSTATION KEYBOARD	REF	REF															
		LK201-CA	LK201-A W USA/CANADA VAXSTATION KEYCAPS, BCC01, BNO3A-2E, 220V CORD	K1	L1															
		LK201-CB	LK201-A W FLEMISH VAXSTATION KEYCAPS, BCC01, BNO3A-2E, 220V CORD	A1	A1															
		LK201-CC	LK201-A W CANADIAN-FRENCH VAXSTN. KEYCAPS, BCC01, USA 120V CORD	A1	B1															
		LK201-CD	LK201-A W DANISH VAXSTATION KEYCAPS, BCC01, BNO6A-2E, 220V CORD	A1	A1															
		LK201-CE	LK201-A W UK VAXSTATION KEYCAPS, BCC01, BNO2-2E, 240V CORD	K1	K1															
		LK201-CF	LK201-A W FINNISH VAXSTATION KEYCAPS, BCC01, BNO3A-2E, 220V CORD	A1	A1															
		LK201-CG	LK201-A W GERMAN VAXSTATION KEYCAPS, BCC01, BNO3A-2E, 220V CORD	K1	K1															

NOTES:

REVISION HISTORY			
DATE	ECO NO.	REV.	
MAR. 25-85	LK201-A-ML012	J	
MAY 06-85	LK201-A-ML013	K	




TITLE		DOCUMENT NUMBER	
UNIT ASSY (LK201)		NUMBER	REV.
		LK201-0	K
		SHEET 3 OF 4	

DRAWING NO.	NO OF SHTS.	PART NO.	DESCRIPTION	REVISIONS															
		LK201-CH	LK201-A W DUTCH VAXSTATION KEYCAPS BCC01, BNO3A-2E, 220V POWER CORD	A1	A1														
		LK201-CI	LK201-A W ITALIAN VAXSTATION KEYCAPS, BCC01, BNO3A-2E, 220V CORD	A1	A1														
		LK201-CJ	LK201-A W KATAKANA VAXSTATION KEYCAPS, BCC01, USA 120V CORD	A1	A1														
		LK201-CK	LK201-A W SWISS-FRENCH VAXSTATION KEYCAPS, BCC01, BNO4A-2E, 220V CORD	A1	A1														
		LK201-CL	LK201-A W SWISS-GERMAN VAXSTATION KEYCAPS, BCC01, BNO4A-2E, 220V CORD	A1	A1														
		LK201-CM	LK201-A W SWEDISH VAXSTATION KEYCAPS, BCC01, BNO3A-2E, 220V CORD	A1	A1														
		LK201-CN	LK201-A W NORWEGIAN VAXSTATION KEYCAPS, BCC01, BNO3A-2E, 220V CORD	A1	A1														
		LK201-CP	LK201-A W FRENCH VAXSTATION KEYCAPS, BCC01, BNO3A-2E, 220V CORD	K1	K1														
		LK201-CS	LK201-A W SPANISH VAXSTATION KEYCAPS, BCC01, BNO3A-2E, 220V CORD	A1	A1														
		LK201-CZ	LK201-CA EXCEPT AUSTRALIAN BNO5A-2E, 250V CORD	A1	A1														

NOTES:

REVISION HISTORY		
DATE	ECO NO.	REV.
MAR. 25-85	LK201-A-ML012	J
MAY 06-85	LK201-A-ML013	K

		TITLE			DOCUMENT NUMBER		
		UNIT ASSY (LK201)			SIZE B	CODE DD	NUMBER LK201-0
							SHEET 4 OF 4

LINE	ITEM	TOP DOCUMENT	PART NUMBER	MIN REV	DESCRIPTION	QTY PER VARIATION												
						A	AA	AB	AC	AD	AE	AF	AG	AH	AI	AJ	AK	
						VARIATION REVISION LEVEL:	A1	L1	K1	L1	K1	K1	K1	K1	K1	K1	K1	K1
1	1	E-AD-7018416-0-0	7018416-00		KEYBOARD ASSY	1	1	1	1	1	1	1	1	1	1	1	1	1
2	2		3700698-01		PKG KEYBOARD LK201-A	-	1	1	1	1	1	1	1	1	1	1	1	1
3	3	SEE NOTE	4901569-01		LUBRICANT,SILICONE	A/R	A/R	A/R	A/R	A/R	A/R	A/R	A/R	A/R	A/R	A/R	A/R	A/R
4	4		1220374-01		SPRING,COMPRESSION .4200DX .250	5	5	5	5	5	5	5	5	5	5	5	5	5
5	5		1220374-02		SPRING,COMPRESSION HIGH FORCE	3	3	3	3	3	3	3	3	3	3	3	3	3
6	6	D-MD-7427577-0-DBU	7427577-01		FOOT,KEYBOARD SLOPE,5 DEGREES	2	2	2	2	2	2	2	2	2	2	2	2	2
7	7	C-MD-7427103-0-DBU	7427103-01		EQUALIZER,SPACE BAR	1	1	1	1	1	1	1	1	1	1	1	1	1
8	8	B-MD-7426989-0-DBU	7426989-01		BAR,EQUALIZER,DOUBLE KEY	2	2	2	2	2	2	2	2	2	2	2	2	2
9	9	E-MD-7426051-0-DBU	7426051-00		SPACE BAR LOW-PROFILE	-	1	1	1	-	1	-	1	-	1	-	-	-
10	10	D-MD-7428773-0-DBU	7428773-01		SPACE BAR,LOW-PROFILE,ALT.	-	-	-	-	1	-	1	-	1	-	1	-	1
11	11		1700294-00		CABLE,ASSY,CT150 KEYBOARD	-	1	1	1	1	1	1	1	1	1	1	1	1
12	12		1700397-01		*** THIS ITEM IS NOT USED ***	-	-	-	-	-	-	-	-	-	-	-	-	-
13	13		1700083-09		PWR CORD,TERM 3-18 SJT 125	-	1	-	1	-	-	-	-	-	-	-	1	-
14	14		1700209-00		PWR CORD,TERM 3- .75MM 5A 250	-	-	-	-	-	1	-	-	-	-	-	-	-
15	15		1700199-00		PWR CORD,TERM 3 250	-	-	1	-	-	-	1	1	1	-	-	-	-
16	16		1700310-01		PWR CORD,TERM 3- .75MM 250	-	-	-	-	1	-	-	-	-	-	-	-	-
17	17		1700210-00		PWR CORD,TERM 3- .75MM 250V 6	-	-	-	-	-	-	-	-	-	-	-	-	1
18	18		1700364-01		PWR CORD,TERM 3- .75MM 250V	-	-	-	-	-	-	-	-	-	-	-	1	-
19	19		1700198-00		*** THIS ITEM IS NOT USED ***	-	-	-	-	-	-	-	-	-	-	-	-	-
20	20	B-DD-7019005-0	7019005-05		KEYCAP SET W/GERMAN LEGENDS	-	-	-	-	-	-	-	1	-	-	-	-	-
21	21	B-DD-7019005-0	7019005-06		*** THIS ITEM IS NOT USED ***	-	-	-	-	-	-	-	-	-	-	-	-	-
22	22	B-DD-7019005-0	7019005-07		KEYCAP SET W/ITALIAN LEGENDS	-	-	-	-	-	-	-	-	-	-	-	1	-
23	23	B-DD-7019005-0	7019005-10		*** THIS ITEM IS NOT USED ***	-	-	-	-	-	-	-	-	-	-	-	-	-
24	24	B-DD-7019005-0	7019005-00		*** THIS ITEM IS NOT USED ***	-	-	-	-	-	-	-	-	-	-	-	-	-
25	25	B-DD-7019005-0	7019005-01		KEYCAP SET W/CAN (FRENCH) LEGEND	-	-	-	1	-	-	-	-	-	-	-	-	-
26	26	B-DD-7019005-0	7019005-02		*** THIS ITEM IS NOT USED ***	-	-	-	-	-	-	-	-	-	-	-	-	-
27	27	B-DD-7019005-0	7019005-03		KEYCAP SET W/ U.K. LEGENDS	-	-	-	-	1	-	-	-	-	-	-	-	-
28	28	D-AD-7021081-0-DBU	7021081-04		KEYCAP SET FINNISH	-	-	-	-	-	-	-	1	-	-	-	-	-
29	29	D-AD-7021081-0-DBU	7021081-08		KEYCAP SET KATA KANA	-	-	-	-	-	-	-	-	-	-	-	-	1
30	30	D-AD-7021081-0-DBU	7021081-09		KEYCAP SET SWISS/FR.	-	-	-	-	-	-	-	-	-	-	-	-	1

REVISION HISTORY			BASIC PART NO: LK201		DRN: D. HEALY	DATE: 18-MAR-82	D I G I T A L			
ENG:	ECO NUMBER	REV	SECTION A OF B	CHK'D: C. LARSON	DATE: 19-MAY-82	TITLE PARTS LIST				
---	INITIAL	A	SECTION VARIATION INDEX	DES.ENG: R. LIETERMANN	DATE: 19-MAY-82	DOCUMENT NUMBER				
AL	LK201-ML001	B	(A)A,AA,AB,AC,AD,AE,	RESP.ENG.: A. LEN	DATE: 19-MAY-82	SIZE	CODE	NUMBER	REV	
AL	LK201-ML002	C	AF,AG,AH,AI,AJ,AK	MFG.ENG.: L. QUARLES	DATE: 19-MAY-82	K	PL	LK201-A-DBP	M	
AL	LK201-ML003	D	(B)AL,AM,AN,AP,AS,AT,	ASSEMBLY NUMBER:	TOP DOCUMENT NUMBER:	FILE NAME:		EDIT #		
AL	LK201-A-ML004	E	AU,AY,AZ,XA	E-UA-LK201-A-0	#B-DD-LK201-0	Z4412M.PLS		12		
AL	LK201-ML006	F	(C)							
AL	LK201-A-ML007	H	(D)							
AL	LK201-ML008	J	(E)							
DW	LK201-ML009	K	(F)							
AJ	LK201-A-ML012	L								
AJ	LK201-A-ML013	M								

"THIS DRAWING AND THE SPECIFICATIONS CONTAINED HEREIN ARE CONFIDENTIAL AND PROPRIETARY. THEY ARE THE PROPERTY OF DIGITAL EQUIPMENT CORPORATION AND SHALL NOT BE REPRODUCED OR COPIED OR USED IN WHOLE OR IN PART AS THE BASIS FOR THE MANUFACTURE OR SALE OF ITEMS WITHOUT WRITTEN PERMISSION. THIS IS AN UNPUBLISHED WORK PROTECTED UNDER THE FEDERAL COPYRIGHT LAWS."

LINE ITEM	TOP DOCUMENT	PART NUMBER	MIN REV	DESCRIPTION	VARIATION REVISION LEVEL:	QTY PER VARIATION																	
						A A1	AA L1	AB K1	AC L1	AD K1	AE K1	AF K1	AG K1	AH K1	AI K1	AJ K1	AK K1						
31	31	B-DD-7019005-0		7019005-11	*** THIS ITEM IS NOT USED ***	-	-	-	-	-	-	-	-	-	-	-	-	-	-	-	-	-	-
32	32	B-DD-7019005-0		7019005-13	*** THIS ITEM IS NOT USED ***	-	-	-	-	-	-	-	-	-	-	-	-	-	-	-	-	-	-
33	33	B-DD-7019005-0		7019005-14	*** THIS ITEM IS NOT USED ***	-	-	-	-	-	-	-	-	-	-	-	-	-	-	-	-	-	-
34	34	D-AD-7021081-0-DBU		7021081-22	*** THIS ITEM IS NOT USED ***	-	-	-	-	-	-	-	-	-	-	-	-	-	-	-	-	-	-
35	35	D-AD-7021081-0-DBU		7021081-45	*** THIS ITEM IS NOT USED ***	-	-	-	-	-	-	-	-	-	-	-	-	-	-	-	-	-	-
36	36	B-DD-7019005-0		7019005-16	KEYCAP SET/FLEMISH LEGENDS	-	-	1	-	-	-	-	-	-	-	-	-	-	-	-	-	-	-
37	37	D-AD-7021081-0-DBU		7021081-12	*** THIS ITEM IS NOT USED ***	-	-	-	-	-	-	-	-	-	-	-	-	-	-	-	-	-	-
38	38	D-AD-7021081-0-DBU		7021081-40	KEYCAP SET JAP HIRAGANA	-	-	-	-	-	-	-	-	-	-	-	-	-	-	-	1	-	-
39	39	A-PS-3620219-0-0		3620219-02	LABEL,KEYBOARD,W/ADH,AUSTRIAN/GE	-	-	-	-	-	-	-	-	-	-	1	-	-	-	-	-	-	-
40	40	A-PS-3620219-0-0		3620219-03	LABEL,KEYBOARD,W/ADH,DANISH	-	-	-	-	1	-	-	-	-	-	-	-	-	-	-	-	-	-
41	41	A-PS-3620219-0-0		3620219-04	LABEL,KEYBOARD,W/ADH,FRENCH	-	-	-	1	-	-	-	-	-	-	-	-	-	-	-	-	-	1
42	42	A-PS-3620219-0-0		3620219-05	LABEL,KEYBOARD,W/ADH,FINNISH	-	-	-	-	-	-	-	1	-	-	-	-	-	-	-	-	-	-
43	43	A-PS-3620219-0-0		3620219-06	LABEL,KEYBOARD,W/ADH,DUTCH	-	-	1	-	-	-	-	-	-	-	-	1	-	-	-	-	-	-
44	44	A-PS-3620219-0-0		3620219-11	LABEL,KEYBOARD,W/ADH,KATAKANA	-	-	-	-	-	-	-	-	-	-	-	-	-	-	-	1	-	-
45	45	A-PS-3620219-0-0		3620219-19	*** THIS ITEM IS NOT USED ***	-	-	-	-	-	-	-	-	-	-	-	-	-	-	-	-	-	-
46	46			3620219-01	LABEL,KEYBOARD,W/ADH,AMERICAN	-	1	-	-	-	1	-	-	-	-	-	-	-	-	-	-	-	-
47	47	A-PS-3620219-0-0		3620219-24	*** THIS ITEM IS NOT USED ***	-	-	-	-	-	-	-	-	-	-	-	-	-	-	-	-	-	-
48	48			3620219-07	LABEL,KEYBOARD,W/ADH,ITALIAN	-	-	-	-	-	-	-	-	-	-	-	-	-	-	1	-	-	-
49	49	A-PS-3620219-0-0		3620219-09	*** THIS ITEM IS NOT USED ***	-	-	-	-	-	-	-	-	-	-	-	-	-	-	-	-	-	-
50	50	A-PS-3620219-0-0		3620219-10	*** THIS ITEM IS NOT USED ***	-	-	-	-	-	-	-	-	-	-	-	-	-	-	-	-	-	-
51	51	A-PS-3620219-0-0		3620219-08	*** THIS ITEM IS NOT USED ***	-	-	-	-	-	-	-	-	-	-	-	-	-	-	-	-	-	-
52	52			3620312-01	LABEL,SERIAL/REGULATORY	-	1	1	1	1	1	1	1	1	1	1	1	1	1	1	1	1	1
53	53	A-PS-3626798-0-0		3623798-01	LABEL,CABLE CAUTION,LK201	-	1	-	1	-	-	-	-	-	-	-	-	-	-	-	-	-	-
54	54	D-AD-7021081-0-DBU		7021081-02	KEYCAP SET DANISH	-	-	-	-	1	-	-	-	-	-	-	-	-	-	-	-	-	-
55	55	D-AD-7021081-0-DBU		7021081-06	KEYCAP SET DUTCH	-	-	-	-	-	-	-	-	-	-	-	-	1	-	-	-	-	-
56	56	D-AD-7021081-0-DBU		7021081-10	*** THIS ITEM IS NOT USED ***	-	-	-	-	-	-	-	-	-	-	-	-	-	-	-	-	-	-
57	57	D-AD-7021081-0-DBU		7021081-13	*** THIS ITEM IS NOT USED ***	-	-	-	-	-	-	-	-	-	-	-	-	-	-	-	-	-	-
58	58	D-AD-7021081-0-DBU		7021081-14	*** THIS ITEM IS NOT USED ***	-	-	-	-	-	-	-	-	-	-	-	-	-	-	-	-	-	-
59	59	D-AD-7021081-0-DBU		7021081-52	*** THIS ITEM IS NOT USED ***	-	-	-	-	-	-	-	-	-	-	-	-	-	-	-	-	-	-
60	60	A-PS-3620219-0-0		3620219-27	*** THIS ITEM IS NOT USED ***	-	-	-	-	-	-	-	-	-	-	-	-	-	-	-	-	-	-
61	61	B-DD-7019005-0		7019005-53	KEYCAP SET WITH U.S. LEGENDS	-	1	-	-	-	-	-	-	-	-	-	-	-	-	-	-	-	-

62 NOTE: QUANTITY OF ITEM #3 IS .0002 GALS.

D I G I T A L	TITLE	SECTION A OF B	SIZE	CODE	DOCUMENT NUMBER	REV
	LK201 KEYBOARD		K	PL	LK201-A-DBP	M

LINE	ITEM	TOP DOCUMENT	PART NUMBER	MIN REV	DESCRIPTION	QTY PER VARIATION										
						AL	AM	AN	AP	AS	AT	AU	AY	AZ	XA	
VARIATION REVISION LEVEL:						K1	K1	K1	K1	K1	K1	A1	A1	K1	A1	
1	1	E-AD-7018416-0-0	7018416-00		KEYBOARD ASSY	1	1	1	1	1	1	1	1	1	1	
2	2		3700698-01		PKG KEYBOARD LK201-A	1	1	1	1	1	1	1	1	1	1	
3	3	SEE NOTE	4901569-01		LUBRICANT,SILICONE	A/R	A/R	A/R	A/R	A/R	A/R	A/R	A/R	A/R	A/R	
4	4		1220374-01		SPRING,COMPRESSION 4200DX .250	5	5	5	5	5	5	5	5	5	5	
5	5		1220374-02		SPRING,COMPRESSION HIGH FORCE	3	3	3	3	3	3	3	3	3	3	
6	6	D-MD-7427577-0-DBU	7427577-01		FOOT,KEYBOARD SLOPE,5 DEGREES	2	2	2	2	2	2	2	2	2	2	
7	7	C-MD-7427103-0-DBU	7427103-01		EQUALIZER,SPACE BAR	1	1	1	1	1	1	1	1	1	1	
8	8	B-MD-7426989-0-DBU	7426989-01		BAR,EQUALIZER,DOUBLE KEY	2	2	2	2	2	2	2	2	2	2	
9	9	E-MD-7426051-0-DBU	7426051-00		SPACE BAR LOW-PROFILE	-	1	-	1	1	-	-	-	1	-	
10	10	D-MD-7428773-0-DBU	7428773-01		SPACE BAR,LOW-PROFILE,ALT.	1	-	1	-	-	1	1	1	-	1	
11	11		1700294-00		CABLE,ASSY,CT150 KEYBOARD	1	1	1	1	1	1	1	1	1	1	
12	12		1700397-01		*** THIS ITEM IS NOT USED ***	-	-	-	-	-	-	-	-	-	-	
13	13		1700083-09		PWR CORD,TERM 3-18 SJT 125	-	-	-	-	-	1	-	1	-	-	
14	14		1700209-00		PWR CORD,TERM 3- .75MM 5A 250	-	-	-	-	-	-	1	-	-	-	
15	15		1700199-00		PWR CORD,TERM 3 250	1	1	1	1	-	-	-	-	-	-	
16	16		1700310-01		*** THIS ITEM IS NOT USED ***	-	-	-	-	-	-	-	-	-	-	
17	17		1700210-00		*** THIS ITEM IS NOT USED ***	-	-	-	-	-	-	-	-	-	-	
18	18		1700364-01		*** THIS ITEM IS NOT USED ***	-	-	-	-	-	-	-	-	-	-	
19	19		1700198-00		PWR CORD,TERM 3-18 250	-	-	-	-	-	-	-	-	1	-	
20	20	B-DD-7019005-0	7019005-05		*** THIS ITEM IS NOT USED ***	-	-	-	-	-	-	-	-	-	-	
21	21	B-DD-7019005-0	7019005-06		*** THIS ITEM IS NOT USED ***	-	-	-	-	-	-	-	-	-	-	
22	22	B-DD-7019005-0	7019005-07		*** THIS ITEM IS NOT USED ***	-	-	-	-	-	-	-	-	-	-	
23	23	B-DD-7019005-0	7019005-10		*** THIS ITEM IS NOT USED ***	-	-	-	-	-	-	-	-	-	-	
24	24	B-DD-7019005-0	7019005-00		*** THIS ITEM IS NOT USED ***	-	-	-	-	-	-	-	-	-	-	
25	25	B-DD-7019005-0	7019005-01		*** THIS ITEM IS NOT USED ***	-	-	-	-	-	-	-	-	-	-	
26	26	B-DD-7019005-0	7019005-02		*** THIS ITEM IS NOT USED ***	-	-	-	-	-	-	-	-	-	-	
27	27	B-DD-7019005-0	7019005-03		*** THIS ITEM IS NOT USED ***	-	-	-	-	-	-	-	-	-	-	
28	28	D-AD-7021081-0-DBU	7021081-04		*** THIS ITEM IS NOT USED ***	-	-	-	-	-	-	-	-	-	-	
29	29	D-AD-7021081-0-DBU	7021081-08		*** THIS ITEM IS NOT USED ***	-	-	-	-	-	-	-	-	-	-	
30	30	D-AD-7021081-0-DBU	7021081-09		*** THIS ITEM IS NOT USED ***	-	-	-	-	-	-	-	-	-	-	

REVISION HISTORY			BASIC PART NO: LK201		DRN:	D. HEALY		DATE:	18-MAR-82		D I G I T A L			
ENG	ECO NUMBER	REV	SECTION B OF B		CHK'D:	C. LARSON		DATE:	19-MAY-82		TITLE PARTS LIST			
---			SECTION VARIATION INDEX		DES.ENG:	R. LIETERMANN		DATE:	19-MAY-82		DOCUMENT NUMBER			
AL	LK201-ML001	B	(A)A,AA,AB,AC,AD,AE,		SIZE	CODE	NUMBER	REV						
AL	LK201-ML002	C	AF,AG,AH,AI,AJ,AK		K	PL	LK201-A-DBP	M						
AL	LK201-ML003	D	(B)AL,AM,AN,AP,AS,AT,											
AL	LK201-A-ML004	E	AU,AY,AZ,XA											
AL	LK201-ML006	F	(C)											
AL	LK201-A-ML007	H	(D)											
AL	LK201-ML008	J	(E)											
DM	LK201-ML009	K	(F)											
AJ	LK201-A-ML012	L			ASSEMBLY NUMBER:	L. QUARLES		DATE:	19-MAY-82		RELEASE DATE: 06-MAY-85			
AJ	LK201-A-ML013	M			TOP DOCUMENT NUMBER:	#8-DD-LK201-0		FILE NAME:	Z4412M.PLS		EDIT # 12			

"THIS DRAWING AND THE SPECIFICATIONS CONTAINED HEREIN ARE CONFIDENTIAL AND PROPRIETARY. THEY ARE THE PROPERTY OF DIGITAL EQUIPMENT CORPORATION AND SHALL NOT BE REPRODUCED OR COPIED OR USED IN WHOLE OR IN PART AS THE BASIS FOR THE MANUFACTURE OR SALE OF ITEMS WITHOUT WRITTEN PERMISSION. THIS IS AN UNPUBLISHED WORK PROTECTED UNDER THE FEDERAL COPYRIGHT LAWS."

LINE	ITEM	TOP DOCUMENT	PART NUMBER	MIN REV	DESCRIPTION	QTY PER VARIATION										
						AL K1	AM K1	AN K1	AP K1	AS K1	AT K1	AU A1	AY A1	AZ K1	XA A1	
31	31	B-DD-7019005-0	7019005-11		KEYCAP SET W/SWEDISH LEGENDS	-	1	-	-	-	-	-	-	-	-	-
32	32	B-DD-7019005-0	7019005-13		*** THIS ITEM IS NOT USED ***	-	-	-	-	-	-	-	-	-	-	-
33	33	B-DD-7019005-0	7019005-14		*** THIS ITEM IS NOT USED ***	-	-	-	-	-	-	-	-	-	-	-
34	34	D-AD-7021081-0-DBU	7021081-22		KEYCAP SET HEBREW	-	-	-	-	-	1	-	-	-	-	-
35	35	D-AD-7021081-0-DBU	7021081-45		KEYCAP SET ICELANDIC	-	-	-	-	-	-	1	-	-	-	-
36	36	B-DD-7019005-0	7019005-16		*** THIS ITEM IS NOT USED ***	-	-	-	-	-	-	-	-	-	-	-
37	37	D-AD-7021081-0-DBU	7021081-12		KEYCAP SET NORWEGIAN	-	-	1	-	-	-	-	-	-	-	-
38	38	D-AD-7021081-C-DBU	7021081-40		KEYCAP SET JAP HIRAGANA	-	-	-	-	-	-	-	1	-	-	-
39	39	A-PS-3620219-0-0	3620219-02		*** THIS ITEM IS NOT USED ***	-	-	-	-	-	-	-	-	-	-	-
40	40	A-PS-3620219-0-0	3620219-03		*** THIS ITEM IS NOT USED ***	-	-	-	-	-	-	-	-	-	-	-
41	41	A-PS-3620219-0-0	3620219-04		LABEL,KEYBOARD,W/ADH,FRENCH	-	-	1	-	-	-	-	-	-	-	-
42	42	A-PS-3620219-0-0	3620219-05		*** THIS ITEM IS NOT USED ***	-	-	-	-	-	-	-	-	-	-	-
43	43	A-PS-3620219-0-0	3620219-06		*** THIS ITEM IS NOT USED ***	-	-	-	-	-	-	-	-	-	-	-
44	44	A-PS-3620219-0-0	3620219-11		*** THIS ITEM IS NOT USED ***	-	-	-	-	-	-	-	-	-	-	-
45	45	A-PS-3620219-0-0	3620219-19		LABEL,KEYBOARD,HEBREW	-	-	-	-	-	1	-	-	-	-	-
46	46		3620219-01		LABEL,KEYBOARD,W/ADH,AMERICAN	-	-	-	-	-	-	1	-	1	-	-
47	47	A-PS-3620219-0-0	3620219-24		LABEL,KEYBOARD,JAPANESE HIRAGANA	-	-	-	-	-	-	-	1	-	-	-
48	48		3620219-07		*** THIS ITEM IS NOT USED ***	-	-	-	-	-	-	-	-	1	-	-
49	49	A-PS-3620219-0-0	3620219-09		LABEL,KEYBOARD,W/ADH,SWEDISH	-	1	-	-	-	-	-	-	-	-	-
50	50	A-PS-3620219-0-0	3620219-10		LABEL,KEYBOARD,W/ADH,NORWEIGN	-	-	1	-	-	-	-	-	-	-	-
51	51	A-PS-3620219-0-0	3620219-08		LABEL,KEYBOARD,W/ADH,SPANISH	-	-	-	-	1	-	-	-	-	-	-
52	52		3620312-01		LABEL,SERIAL/REGULATORY	1	1	1	1	1	1	1	1	1	1	1
53	53	A-PS-3626798-0-0	3623798-01		*** THIS ITEM IS NOT USED ***	-	-	-	-	-	-	-	-	-	-	-
54	54	D-AD-7021081-0-DBU	7021081-02		*** THIS ITEM IS NOT USED ***	-	-	-	-	-	-	-	-	-	-	-
55	55	D-AD-7021081-0-DBU	7021081-06		*** THIS ITEM IS NOT USED ***	-	-	-	-	-	-	-	-	-	-	-
56	56	D-AD-7021081-0-DBU	7021081-10		KEYCAP SET SWISS/GR.	1	-	-	-	-	-	-	-	-	-	-
57	57	D-AD-7021081-0-DBU	7021081-13		KEYCAP SET FRENCH	-	-	-	1	-	-	-	-	-	-	-
58	58	D-AD-7021081-0-DBU	7021081-14		KEYCAP SET SPANISH	-	-	-	-	1	-	-	-	-	-	-
59	59	D-AD-7021081-0-DBU	7021081-52		KEYCAP SET WITH XEROX LEGENDS	-	-	-	-	-	-	-	-	-	-	1
60	60	A-PS-3620219-0-0	3620219-27		LABEL,KEYBOARD,W/ADH,BLANK	-	-	-	-	-	-	-	-	-	-	1
61	61	B-DD-7019005-0	7019005-53		KEYCAP SET WITH U.S. LEGENDS	-	-	-	-	-	-	-	-	1	-	-

62 NOTE: QUANTITY OF ITEM #3 IS .0002 GALS.

D I G I T A L	TITLE	SECTION B OF B	SIZE	CODE	DOCUMENT NUMBER	REV
	LK201 KEYBOARD		K	PL	LK201-A-DBP	M

LINE	ITEM	TOP DOCUMENT	PART NUMBER	MIN REV	DESCRIPTION	QTY PER VARIATION											
						BA	BB	BC	BD	BE	BF	BG	BH	BI	BJ	BK	BL
						L1	A1	A1	A1	K1	A1	K1	A1	K1	A1	A1	
1	1	E-AD-7018416-0-0	7018416-00		KEYBOARD ASSY	1	-	-	1	1	1	1	-	1	-	-	
2	2	A-PA-3700698-0-0	3700698-01		PKG KEYBOARD LK201-A	1	-	-	1	1	1	1	-	1	-	-	
3	3	SEE NOTE	4901569-01		LUBRICANT, SILICONE	A/R	-	-	A/R	A/R	A/R	A/R	-	A/R	-	-	
4	4		1220374-01		SPRING, COMPRESSION .4200DX .250	5	-	-	5	5	5	5	-	5	-	-	
5	5		1220374-02		SPRING, COMPRESSION HIGH FORCE	3	-	-	3	3	3	3	-	3	-	-	
6	6	D-MD-7427577-0-DBU	7427577-01		FOOT, KEYBOARD SLOPE 5 DEGREES	2	-	-	2	2	2	2	-	2	-	-	
7	7	C-MD-7427103-0-DBU	7427103-01		EQUALIZER, SPACE BAR	1	-	-	1	1	1	1	-	1	-	-	
8	8	B-MD-7426989-0-DBU	7426989-01		BAR, EQUALIZER, DOUBLE KEY	2	-	-	2	2	2	2	-	2	-	-	
9	9	E-MD-7426051-0-DBU	7426051-00		SPACE BAR LOW-PROFILE	1	-	-	1	1	1	1	-	1	-	-	
10	10	D-MD-7428773-0-DBU	7428773-01		*** THIS ITEM IS NOT USED ***	-	-	-	-	-	-	-	-	-	-	-	
11	11		1700294-00		CABLE, ASSY, CT150 KEYBOARD	1	-	-	1	1	1	1	-	1	-	-	
12	12		1700397-01		*** THIS ITEM IS NOT USED ***	-	-	-	-	-	-	-	-	-	-	-	
13	13		1700083-09		PWR CORD, TERM 3-18 SJT 125	1	-	-	-	-	-	-	-	-	-	-	
14	14		1700209-00		PWR CORD, TERM 3- .75MM 5A 250	-	-	-	-	1	-	-	-	-	-	-	
15	15		1700199-00		PWR CORD, TERM 3 250	-	-	-	-	-	1	1	-	-	-	-	
16	16		1700310-01		PWR CORD, TERM 3- .75MM 250	-	-	-	1	-	-	-	-	-	-	-	
17	17		1700210-00		*** THIS ITEM IS NOT USED ***	-	-	-	-	-	-	-	-	-	-	-	
18	18		1700364-01		PWR CORD, TERM 3- .75MM 250V	-	-	-	-	-	-	-	-	1	-	-	
19	19		1700198-00		*** THIS ITEM IS NOT USED ***	-	-	-	-	-	-	-	-	-	-	-	
20	20	B-DD-7019005-0	7019005-23		KEYCAP SET W/DECMATE (GERMAN) LE	-	-	-	-	-	-	1	-	-	-	-	
21	21	B-DD-7019005-0	7019005-24		KEYCAP SET W/DECMATE (ITALIAN) L	-	-	-	-	-	-	-	-	1	-	-	
22	22	B-DD-7019005-0	7019005-25		*** THIS ITEM IS NOT USED ***	-	-	-	-	-	-	-	-	-	-	-	
23	23	B-DD-7019005-0	7019005-26		*** THIS ITEM IS NOT USED ***	-	-	-	-	-	-	-	-	-	-	-	
24	24	B-DD-7019005-0	7019005-41		KEYCAP SET W/DECMATE DANIS. LEGE	-	-	-	1	-	-	-	-	-	-	-	
25	25	B-DD-7019005-0	7019005-42		KEYCAP SET W/DECMATE FINISH. LEGE	-	-	-	-	-	1	-	-	-	-	-	
26	26	B-DD-7019005-0	7019005-43		*** THIS ITEM IS NOT USED ***	-	-	-	-	-	-	-	-	-	-	-	
27	27	B-DD-7019005-0	7019005-44		*** THIS ITEM IS NOT USED ***	-	-	-	-	-	-	-	-	-	-	-	
28	28	B-DD-7019005-0	7019005-15		KEYCAP SET W/DECMATE II LEGEND	1	-	-	-	1	-	-	-	-	-	-	
29	29	A-PS-3620219-0-0	3620219-20		LABEL, KEYBOARD, DECMATE GERMAN	-	-	-	-	-	-	1	-	-	-	-	
30	30	A-PS-3620219-0-0	3620219-21		LABEL, KEYBOARD DECMATE ITALIAN	-	-	-	-	-	-	-	-	1	-	-	

REVISION HISTORY			BASIC PART NO: LK201		
ENG	ECO NUMBER	REV	SECTION A OF B	DRN:	DATE:
DW	LK201-A-ML009	A	SECTION VARIATION INDEX	D. HEALY	18-MAR-82
AJ	LK201-A-ML012	B	(A)BA, BB, BC, BD, BE, BF,	C. ARSON	19-MAY-82
AJ	LK201-A-ML013	C	(B)BM, BN, BP, BS, BT, BZ	R. LIETERMANN	19-MAY-82
			(C)	A. LEN	19-MAY-82
			(D)	L. QUARLES	19-MAY-82
			(E)		
			(F)		
			ASSEMBLY NUMBER:	TOP DOCUMENT NUMBER:	FILE NAME:
			E-UA-LK201-B-0	#B-DD-LK201-0	Z6234C.PLS
					EDIT #
					16

"THIS DRAWING AND THE SPECIFICATIONS CONTAINED HEREIN ARE CONFIDENTIAL AND PROPRIETARY. THEY ARE THE PROPERTY OF DIGITAL EQUIPMENT CORPORATION AND SHALL NOT BE REPRODUCED OR COPIED OR USED IN WHOLE OR IN PART AS THE BASIS FOR THE MANUFACTURE OR SALE OF ITEMS WITHOUT WRITTEN PERMISSION. THIS IS AN UNPUBLISHED WORK PROTECTED UNDER THE FEDERAL COPYRIGHT LAWS."

LINE	ITEM	TOP DOCUMENT	PART NUMBER	MIN REV	DESCRIPTION	QTY PER VARIATION											
						BA L1	BB A1	BC A1	BD A1	BE K1	BF A1	BG K1	BH A1	BI K1	BJ A1	BK A1	BL A1
31	31	A-PS-3620219-0-0	3620219-22		*** THIS ITEM IS NOT USED ***	-	-	-	-	-	-	-	-	-	-	-	-
32	32	A-PS-3620219-0-0	3620219-23		*** THIS ITEM IS NOT USED ***	-	-	-	-	-	-	-	-	-	-	-	-
33	33		3620312-01		LABEL,SERIAL/REGULATORY	1	-	-	1	1	1	1	-	1	-	-	-
34	34	A-PS-3620219-0-0	3620219-13		LABEL,KEYBOARD,DECMATE II	1	-	-	1	1	1	-	-	-	-	-	-
35	35	A-PS-3623798-0-0	3623798-01		LABEL,CABLE CAUTION,LK201	1	-	-	-	-	-	-	-	-	-	-	-

36 NOTE: QUANTITY OF ITEM #3 IS .0002 GALS.

D	I	G	I	T	A	L	TITLE	LK201 KEYBOARD	SECTION A	OF B	SIZE	CODE	DOCUMENT NUMBER	REV
											K	PL	LK201-B-DBP	C

LINE	ITEM	TOP DOCUMENT	PART NUMBER	MIN REV	DESCRIPTION	QTY PER VARIATION					
						BM A1	BN A1	BP K1	BS K1	BT A1	BZ K1
1	1	E-AD-7018416-0-0	7018416-00		KEYBOARD ASSY	1	1	1	1	-	1
2	2	A-PA-3700698-0-0	3700698-01		PKG KEYBOARD LK201-A	1	1	1	1	-	1
3	3	SEE NOTE	4901569-01		LUBRICANT, SILICONE	A/R	A/R	A/R	A/R	-	A/R
4	4		1220374-01		SPRING, COMPRESSION .4200DX .250	5	5	5	5	-	5
5	5		1220374-02		SPRING, COMPRESSION HIGH FORCE	3	3	3	3	-	3
6	6	D-MD-7427577-0-DBU	7427577-01		FOOT, KEYBOARD SLOPE, 5 DEGREES	2	2	2	2	-	2
7	7	C-MD-7427103-0-DBU	7427103-01		EQUALIZER, SPACE BAR	1	1	1	1	-	1
8	8	B-MD-7426989-0-DBU	7426989-01		BAR, EQUALIZER, DOUBLE KEY	2	2	2	2	-	2
9	9	E-MD-7426051-0-DBU	7426051-00		SPACE BAR LOW-PROFILE	1	1	1	1	-	1
10	10	D-MD-7428773-0-DBU	7428773-01		*** THIS ITEM IS NOT USED ***	-	-	-	-	-	-
11	11		1700294-00		CABLE, ASSY, CT150 KEYBOARD	1	1	1	1	-	1
12	12		1700397-01		*** THIS ITEM IS NOT USED ***	-	-	-	-	-	-
13	13		1700083-09		*** THIS ITEM IS NOT USED ***	-	-	-	-	-	-
14	14		1700209-00		*** THIS ITEM IS NOT USED ***	-	-	-	-	-	-
15	15		1700199-00		PWR CORD, TERM 3 250	1	1	1	1	-	1
16	16		1700310-01		*** THIS ITEM IS NOT USED ***	-	-	-	-	-	-
17	17		1700210-00		*** THIS ITEM IS NOT USED ***	-	-	-	-	-	-
18	18		1700364-01		*** THIS ITEM IS NOT USED ***	-	-	-	-	-	-
19	19		1700198-00		PWR CORD, TERM 3-18 250	-	-	-	-	-	1
20	20	B-DD-7019005-0	7019005-23		*** THIS ITEM IS NOT USED ***	-	-	-	-	-	-
21	21	B-DD-7019005-0	7019005-24		*** THIS ITEM IS NOT USED ***	-	-	-	-	-	-
22	22	B-DD-7019005-0	7019005-25		KEYCAP SET W/DECMATE (FRENCH) LE	-	-	1	-	-	-
23	23	B-DD-7019005-0	7019005-26		KEYCAP SET W/DECMATE (SPANISH) L	-	-	-	1	-	-
24	24	B-DD-7019005-0	7019005-41		*** THIS ITEM IS NOT USED ***	-	-	-	-	-	-
25	25	B-DD-7019005-0	7019005-42		*** THIS ITEM IS NOT USED ***	-	-	-	-	-	-
26	26	B-DD-7019005-0	7019005-43		KEYCAP SET W/DECMATE SWEDISH LEG	1	-	-	-	-	-
27	27	B-DD-7019005-0	7019005-44		KEYCAP SET W/DECMATE NORWEGIAN L	-	1	-	-	-	-
28	28	B-DD-7019005-0	7019005-15		KEYCAP SET W/DECMATE II LEGEND	-	-	-	-	-	1
29	29	A-PS-3620219-0-0	3620219-20		*** THIS ITEM IS NOT USED ***	-	-	-	-	-	-
30	30	A-PS-3620219-0-0	3620219-21		*** THIS ITEM IS NOT USED ***	-	-	-	-	-	-

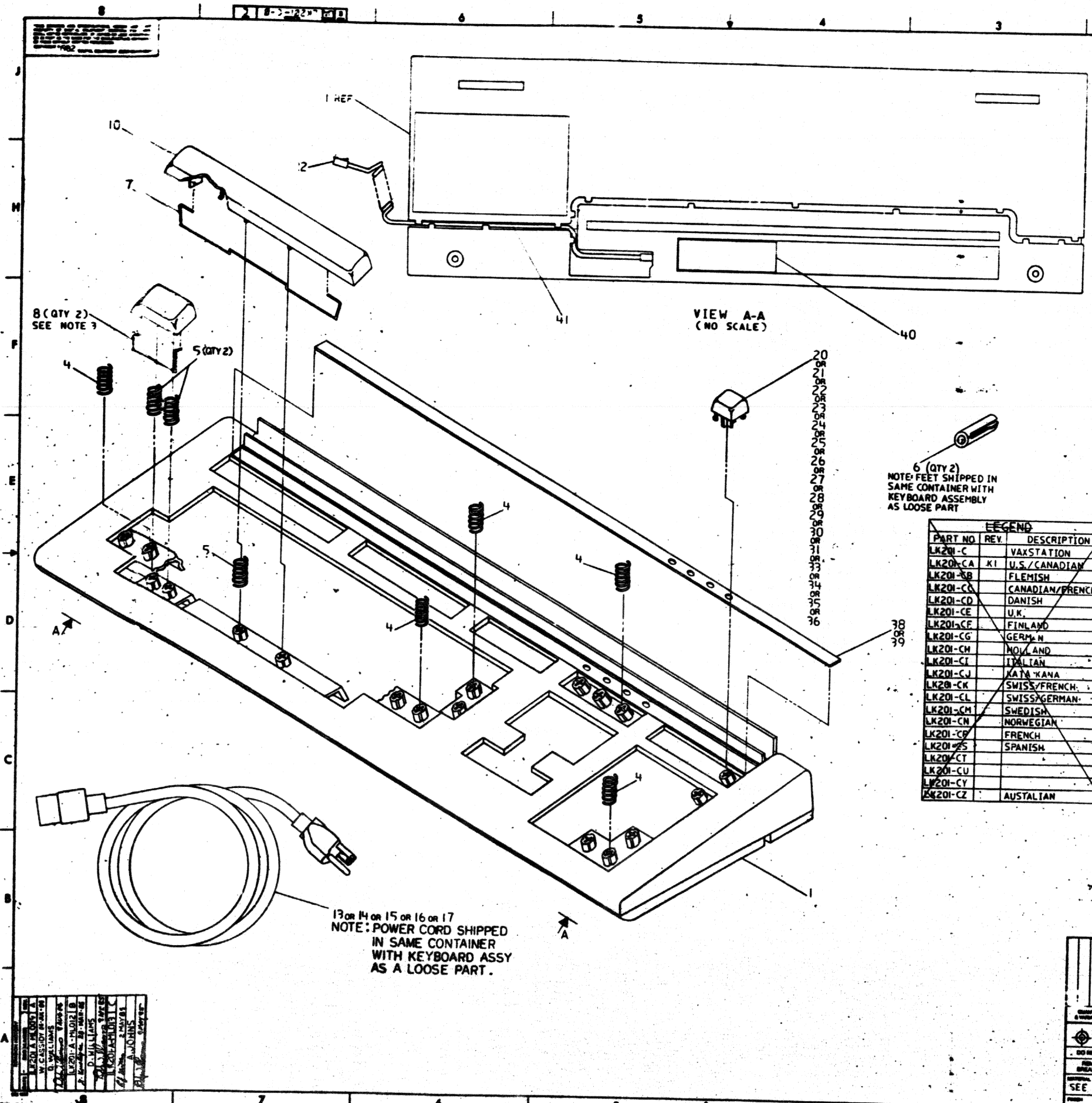
REVISION HISTORY			BASIC PART NO: LK201		DRN:	DATE:	DIGITAL			
ENG:	ECO NUMBER	REV	SECTION B OF B		D. HEALY	18-MAR-82				
DW	LK201-A-MLO09	A	SECTION VARIATION INDEX	CHK'D:	C. ARSON	19-MAY-82	TITLE PARTS LIST			
AJ	LK201-A-MLO12	B	(A) BA, BB, BC, BD, BE, BF,				LK201 KEYBOARD			
AJ	LK201-A-MLO13	C	(B) BM, BN, BP, BS, BT, BZ	DES. ENG:	R. LIETERMANN	19-MAY-82	DOCUMENT NUMBER			
			(C)				SIZE	CODE	NUMBER	REV
			(D)	RESP. ENG.:	A. LEN	19-MAY-82	K	PL	LK201-B-DBP	C
			(E)	MFG. ENG.:	L. QUARLES	19-MAY-82	RELEASE DATE: 09-MAY-85			
			(F)	ASSEMBLY NUMBER:	E-UA-LK201-B-0	TOP DOCUMENT NUMBER:	#B-DD-LK201-0	FILE NAME:	Z6234C.PLS	EDIT #
										16

"THIS DRAWING AND THE SPECIFICATIONS CONTAINED HEREIN ARE CONFIDENTIAL AND PROPRIETARY. THEY ARE THE PROPERTY OF DIGITAL EQUIPMENT CORPORATION AND SHALL NOT BE REPRODUCED OR COPIED OR USED IN WHOLE OR IN PART AS THE BASIS FOR THE MANUFACTURE OR SALE OF ITEMS WITHOUT WRITTEN PERMISSION. THIS IS AN UNPUBLISHED WORK PROTECTED UNDER THE FEDERAL COPYRIGHT LAWS."

LINE	ITEM	TOP DOCUMENT	PART NUMBER	MIN REV	DESCRIPTION	QTY PER VARIATION					
						BM A1	BN A1	BP K1	BS K1	BT A1	BZ K1
31	31	A-PS-3620219-0-0	3620219-22		LABEL,KEYBOARD,DECMATE FRENCH	-	-	1	-	-	-
32	32	A-PS-3620219-0-0	3620219-23		LABEL,KEYBOARD,DECMATE SPANISH	-	-	-	1	-	-
33	33		3620312-01		LABEL,SERIAL/REGULATORY	1	1	1	1	-	1
34	34	A-PS-3620219-0-0	3620219-13		LABEL,KEYBOARD,DECMATE II	1	1	-	-	-	1
35	35	A-PS-3623798-0-0	3623798-01		*** THIS ITEM IS NOT USED ***	-	-	-	-	-	-

36 NOTE: QUANTITY OF ITEM #3 IS .0002 GALS.

D	I	G	I	T	A	L	TITLE	LK201 KEYBOARD	SECTION B	OF B	SIZE	CODE	DOCUMENT NUMBER	REV
											K	PL	LK201-B-DBP	C



- NOTES:
- KEYCAPS ARRANGED ACCORDING TO ARRANGEMENT DRAWING D-AP-70-9005-0-DBU OR D-AD-702108-0-DBU.
 - DELETED
 - ITEM 8 IS USED ON SWITCHES A20 A21 & A99 (THE TWO DOUBLE KEYS IN FIRST ROW) ON ARRANGEMENT DRAWING D-AP-70-9005-0-DBU.
 - APPLY THIN FILM OF LUBRICANT (ITEM 3) ON PLUNGER AREA OF 5 KEYS PRIOR TO ADDING THEM TO THE KEYBOARD. KEYS IDENTIFIED BY LOCATIONS B99, B11, A29, C19 AND G16 ON KEYCAP ARRANGEMENT DRAWING D-AP-70-9005-0-DBU. LUBRICANT MUST BE KEPT OFF VISIBLE (TEXTURED) SURFACES OF KEYS.

6 (QTY 2)
NOTE: FEET SHIPPED IN SAME CONTAINER WITH KEYBOARD ASSEMBLY AS LOOSE PART

PART NO.	REV.	DESCRIPTION
LK201-C		VAXSTATION
LK201-CA	K1	U.S./CANADIAN
LK201-SB		FLEMISH
LK201-CC		CANADIAN/FRENCH
LK201-CD		DANISH
LK201-CE		U.K.
LK201-CF		FINLAND
LK201-CG		GERMAN
LK201-CH		HOLLAND
LK201-CI		ITALIAN
LK201-CJ		KATA KANA
LK201-CK		SWISS/FRENCH
LK201-CL		SWISS/GERMAN
LK201-CM		SWEDISH
LK201-CN		NORWEGIAN
LK201-CO		FRENCH
LK201-ES		SPANISH
LK201-CT		
LK201-CU		
LK201-CV		
LK201-CZ		AUSTRIAN

CAUTION:
OFF SHEET PARTS LIST EXISTS.
SEE K-PL-LK201-C-DBP. (Z9826)

13 or 14 or 15 or 16 or 17
NOTE: POWER CORD SHIPPED IN SAME CONTAINER WITH KEYBOARD ASSY AS A LOOSE PART.

1	W. CASSETT
2	D. WILLIAMS
3	J. HARRIS
4	D. WILLIAMS
5	J. HARRIS
6	J. HARRIS
7	J. HARRIS
8	J. HARRIS
9	J. HARRIS
10	J. HARRIS
11	J. HARRIS
12	J. HARRIS
13	J. HARRIS
14	J. HARRIS
15	J. HARRIS
16	J. HARRIS
17	J. HARRIS
18	J. HARRIS
19	J. HARRIS
20	J. HARRIS
21	J. HARRIS
22	J. HARRIS
23	J. HARRIS
24	J. HARRIS
25	J. HARRIS
26	J. HARRIS
27	J. HARRIS
28	J. HARRIS
29	J. HARRIS
30	J. HARRIS
31	J. HARRIS
32	J. HARRIS
33	J. HARRIS
34	J. HARRIS
35	J. HARRIS
36	J. HARRIS
37	J. HARRIS
38	J. HARRIS
39	J. HARRIS
40	J. HARRIS
41	J. HARRIS
42	J. HARRIS

DESCRIPTION	DRAWING NO.	PART NO.	REV.
LK201-C KEYBOARD		LK201-C	0
UNLESS OTHERWISE SPECIFIED DIMENSIONS ARE IN INCHES AND THE FOLLOWING TOLERANCES APPLY (PER DEC STD 116)			
FINISH	APPLICABLE DIMENSIONS	APPLICABLE DIMENSIONS	APPLICABLE DIMENSIONS
ASSEMBLY	ASSEMBLY	ASSEMBLY	ASSEMBLY
DATE	DATE	DATE	DATE
BY	BY	BY	BY
CHECKED	CHECKED	CHECKED	CHECKED
APPROVED	APPROVED	APPROVED	APPROVED
DATE	DATE	DATE	DATE
BY	BY	BY	BY
SEE PARTS LIST			
FORM			

LINE	ITEM	TOP DOCUMENT	PART NUMBER	MIN REV	DESCRIPTION	QTY PER VARIATION												
						CA L1	CB A1	CC B1	CD A1	CE K1	CF A1	CG K1	CH A1	CI A1	CJ A1	CK A1	CL A1	
1	1	E-AD-7018416-0-0	7018416-00		KEYBOARD ASSY	1	1	1	1	1	1	1	1	1	1	1	1	1
2	2	A-PA-3700698-0-0	3700698-01		PKG KEYBOARD LK201-A	1	1	1	1	1	1	1	1	1	1	1	1	
3	3	SEE NOTE	4901569-01		LUBRICANT, SILICONE	A/R	A/R	A/R	A/R	A/R	A/R	A/R	A/R	A/R	A/R	A/R	A/R	
4	4		1220374-01		SPRING, COMPRESSION .4200DX .250	5	5	5	5	5	5	5	5	5	5	5	5	
5	5		1220374-02		SPRING, COMPRESSION HIGH FORCE	3	3	3	3	3	3	3	3	3	3	3	3	
6	6	D-MD-7427577-0-DBU	7427577-01		FOOT, KEYBOARD SLOPE, 5 DEGREES	2	2	2	2	2	2	2	2	2	2	2	2	
7	7	C-MD-7427103-0-DBU	7427103-01		EQUALIZER, SPACE BAR	1	1	1	1	1	1	1	1	1	1	1	1	
8	8	B-MD-7426989-0-DBU	7426989-01		BAR, EQUALIZER, DOUBLE KEY	2	2	2	2	2	2	2	2	2	2	2	2	
9	9		7426051-00		*** THIS ITEM IS NOT USED ***	-	-	-	-	-	-	-	-	-	-	-	-	
10	10	D-MD-7428773-0-DBU	7428773-01		SPACE BAR, LOW-PROFILE, ALT.	1	1	1	1	1	1	1	1	1	1	1	1	
11	11		1700294-00		*** THIS ITEM IS NOT USED ***	-	-	-	-	-	-	-	-	-	-	-	-	
12	12		1700397-01		CABLE ASSY, COIL CORD 14' LG	1	1	1	1	1	1	1	1	1	1	1	1	
13	13		1700083-26		PWR CORD, TERM 3-18 SJT 125V	1	-	1	-	-	-	-	-	-	1	-	-	
14	14		1700209-00		PWR CORD, TERM 3- .75MM 5A 250	-	-	-	-	1	-	-	-	-	-	-	-	
15	15		1700199-00		PWR CORD, TERM 3 250	-	1	-	-	-	1	1	1	1	-	-	-	
16	16		1700310-01		PWR CORD, TERM 3- .75MM 250	-	-	-	1	-	-	-	-	-	-	-	-	
17	17		1700210-00		PWR CORD, TERM 3- .75MM 250V 6	-	-	-	-	-	-	-	-	-	-	1	1	
18	18		1700364-01		*** THIS ITEM IS NOT USED ***	-	-	-	-	-	-	-	-	-	-	-	-	
19	19		1700198-00		*** THIS ITEM IS NOT USED ***	-	-	-	-	-	-	-	-	-	-	-	-	
20	20	D-AD-7021081-0-DBU	7021081-27		KEYCAP SET FLEMISH/FAX	-	1	-	-	-	-	-	-	-	-	-	-	
21	21	D-AD-7021081-0-DBU	7021081-28		KEYCAP SET CAN/FR VAX	-	-	1	-	-	-	-	-	-	-	-	-	
22	22	D-AD-7021081-0-DBU	7021081-29		KEYCAP SET DENMARK VAX	-	-	-	1	-	-	-	-	-	-	-	-	
23	23	D-AD-7021081-0-DBU	7021081-30		KEYCAP SET FINLAND VAX	-	-	-	-	-	1	-	-	-	-	-	-	
24	24	D-AD-7021081-0-DBU	7021081-31		KEYCAP SET HOLLAND VAX	-	-	-	-	-	-	1	-	-	-	-	-	
25	25	D-AD-7021081-0-DBU	7021081-32		KEYCAP SET ITALIAN VAX	-	-	-	-	-	-	-	1	-	-	-	-	
26	26	D-AD-7021081-0-DBU	7021081-33		KEYCAP SET KATA KANA VAX	-	-	-	-	-	-	-	-	1	-	-	-	
27	27	D-AD-7021081-0-DBU	7021081-34		KEYCAP SET SWISS/FR VAX	-	-	-	-	-	-	-	-	-	1	-	-	
28	28	D-AD-7021081-0-DBU	7021081-35		KEYCAP SET SWISS/GR VAX	-	-	-	-	-	-	-	-	-	-	1	-	
29	29	D-AD-7021081-0-DBU	7021081-36		*** THIS ITEM IS NOT USED ***	-	-	-	-	-	-	-	-	-	-	-	-	
30	30	D-AD-7021081-0-DBU	7021081-37		*** THIS ITEM IS NOT USED ***	-	-	-	-	-	-	-	-	-	-	-	-	

REVISION HISTORY			BASIC PART NO: LK201		DRN:	D. HEALY	DATE:	18-MAR-82	DIGITAL			
ENG	ECO NUMBER	REV	SECTION A OF B		CHK'D:	C. LARSON	DATE:	19-MAY-82	TITLE PARTS LIST			
			SECTION VARIATION INDEX		DES. ENG:	R. LIETERMANN	DATE:	19-MAY-82	DOCUMENT NUMBER			
			[A] CA, CB, CC, CD, CE, CF,		RESP. ENG.:	A. LEN	DATE:	19-MAY-82	SIZE	CODE	NUMBER	REV
			[B] CM, CN, CP, CS, CT, CZ		MFG. ENG.:	L. QUARLES	DATE:	19-MAY-82	RELEASE DATE: 09-MAY-85			
			[C]		ASSEMBLY NUMBER:		TOP DOCUMENT NUMBER:		FILE NAME:		EDIT #	
			[D]		E-UA-LK201-C-0		#B-DD-LK201-0		Z9826C.PLS		16	
			[E]									
			[F]									

"THIS DRAWING AND THE SPECIFICATIONS CONTAINED HEREIN ARE CONFIDENTIAL AND PROPRIETARY. THEY ARE THE PROPERTY OF DIGITAL EQUIPMENT CORPORATION AND SHALL NOT BE REPRODUCED OR COPIED OR USED IN WHOLE OR IN PART AS THE BASIS FOR THE MANUFACTURE OR SALE OF ITEMS WITHOUT WRITTEN PERMISSION. THIS IS AN UNPUBLISHED WORK PROTECTED UNDER THE FEDERAL COPYRIGHT LAWS."

PARTS LIST

LINE	ITEM	TOP DOCUMENT	PART NUMBER	MIN REV	DESCRIPTION	VARIATION REVISION LEVEL:																
						CA L1	CB A1	CC B1	CD A1	CE K1	CF A1	CG K1	CH A1	CI A1	CJ A1	CK A1	CL A1					
31	31	D-AD-7021081-0-DBU	7021081-39		*** THIS ITEM IS NOT USED ***	-	-	-	-	-	-	-	-	-	-	-	-	-	-	-	-	-
32	32	D-AD-7021081-0-DBU	7021081-39		*** THIS ITEM IS NOT USED ***	-	-	-	-	-	-	-	-	-	-	-	-	-	-	-	-	-
33	33	D-AD-7021081-0-DBU	7021081-17		KEYCAP SET VAX/US	1	-	-	-	-	-	-	-	-	-	-	-	-	-	-	-	-
34	34	D-AD-7021081-0-DBU	7021081-18		KEYCAP SET VAX/UK	-	-	-	-	1	-	-	-	-	-	-	-	-	-	-	-	-
35	35	D-AD-7021081-0-DBU	7021081-19		KEYCAP SET VAX/GERMAN	-	-	-	-	-	-	1	-	-	-	-	-	-	-	-	-	-
36	36	D-AD-7021081-0-DBU	7021081-20		*** THIS ITEM IS NOT USED ***	-	-	-	-	-	-	-	-	-	-	-	-	-	-	-	-	-
37	37		1700083-09		*** THIS ITEM IS NOT USED ***	-	-	-	-	-	-	-	-	-	-	-	-	-	-	-	-	-
38	38	A-PS-3620219-0-0	3620219-17		LABEL,KEYBOARD,US,VAXSTATION	1	-	1	-	1	-	-	-	-	-	-	-	-	-	-	-	-
39	39	A-PS-3620219-0-0	3620219-18		LABEL,KEYBOARD,NON-US,VAXSTATION	-	1	-	1	-	1	1	1	1	1	1	1	1	1	1	1	1
40	40		3620312-03		LABEL,SERIAL/REGULATORY LK201-CA	1	1	1	1	1	1	1	1	1	1	1	1	1	1	1	1	1
41	41	A-PS-3623798-0-0	3623798-01		LABEL,CABLE CAUTION,LK201	1	-	1	-	-	-	-	-	-	-	-	-	-	-	-	-	-

42 NOTE: QUANTITY OF ITEM #3 IS .0002 GALS.

D I G I T A L	TITLE	SECTION A OF B	SIZE	CODE	DOCUMENT NUMBER	REV
	LK201 KEYBOARD		K	PL	LK201-C-DBP	C

LINE	ITEM	TOP DOCUMENT	PART NUMBER	MIN REV DESCRIPTION	QTY PER VARIATION					
					CM A1	CN A1	CP K1	CS A1	CT A1	CZ A1
1	1	E-AD-7018416-0-0	7018416-00	KEYBOARD ASSY	1	1	1	1	-	1
2	2	A-PA-3700698-0-0	3700698-01	PKG KEYBOARD LK201-A	1	1	1	1	-	1
3	3	SEE NOTE	4901569-01	LUBRICANT,SILICONE	A/R	A/R	A/R	A/R	-	A/R
4	4		1220374-01	SPRING,COMPRESSION .4200DX .250	5	5	5	5	-	5
5	5		1220374-02	SPRING,COMPRESSION HIGH FORCE	3	3	3	3	-	3
6	6	D-MD-7427577-0-DBU	7427577-01	FOOT,KEYBOARD SLOPE,5 DEGREES	2	2	2	2	-	2
7	7	C-MD-7427103-0-DBU	7427103-01	EQUALIZER,SPACE BAR	1	1	1	1	-	1
8	8	B-MD-7426989-0-DBU	7426989-01	BAR,EQUALIZER,DOUBLE KEY	2	2	2	2	-	2
9	9		7426051-00	*** THIS ITEM IS NOT USED ***	-	-	-	-	-	-
10	10	D-MD-7428773-0-DBU	7428773-01	SPACE BAR,LOW-PROFILE,ALT.	1	1	1	1	-	1
11	11		1700294-00	*** THIS ITEM IS NOT USED ***	-	-	-	-	-	-
12	12		1700397-01	CABLE ASSY,COIL CORD 14'LG	1	1	1	1	-	1
13	13		1700083-26	*** THIS ITEM IS NOT USED ***	-	-	-	-	-	-
14	14		1700209-00	*** THIS ITEM IS NOT USED ***	-	-	-	-	-	-
15	15		1700199-00	PWR CORD,TERM 3 250	1	1	1	1	-	-
16	16		1700310-01	*** THIS ITEM IS NOT USED ***	-	-	-	-	-	-
17	17		1700210-00	*** THIS ITEM IS NOT USED ***	-	-	-	-	-	-
18	18		1700364-01	*** THIS ITEM IS NOT USED ***	-	-	-	-	-	-
19	19		1700198-00	*** THIS ITEM IS NOT USED ***	-	-	-	-	-	-
20	20	D-AD-7021081-0-DBU	7021081-27	*** THIS ITEM IS NOT USED ***	-	-	-	-	-	-
21	21	D-AD-7021081-0-DBU	7021081-28	*** THIS ITEM IS NOT USED ***	-	-	-	-	-	-
22	22	D-AD-7021081-0-DBU	7021081-29	*** THIS ITEM IS NOT USED ***	-	-	-	-	-	-
23	23	D-AD-7021081-0-DBU	7021081-30	*** THIS ITEM IS NOT USED ***	-	-	-	-	-	-
24	24	D-AD-7021081-0-DBU	7021081-31	*** THIS ITEM IS NOT USED ***	-	-	-	-	-	-
25	25	D-AD-7021081-0-DBU	7021081-32	*** THIS ITEM IS NOT USED ***	-	-	-	-	-	-
26	26	D-AD-7021081-0-DBU	7021081-33	*** THIS ITEM IS NOT USED ***	-	-	-	-	-	-
27	27	D-AD-7021081-0-DBU	7021081-34	*** THIS ITEM IS NOT USED ***	-	-	-	-	-	-
28	28	D-AD-7021081-0-DBU	7021081-35	*** THIS ITEM IS NOT USED ***	-	-	-	-	-	-
29	29	D-AD-7021081-0-DBU	7021081-36	KEYCAP SET SWEDISH VAX	1	-	-	-	-	-
30	30	D-AD-7021081-0-DBU	7021081-37	KEYCAP SET NORWEGIAN VAX	-	1	-	-	-	-

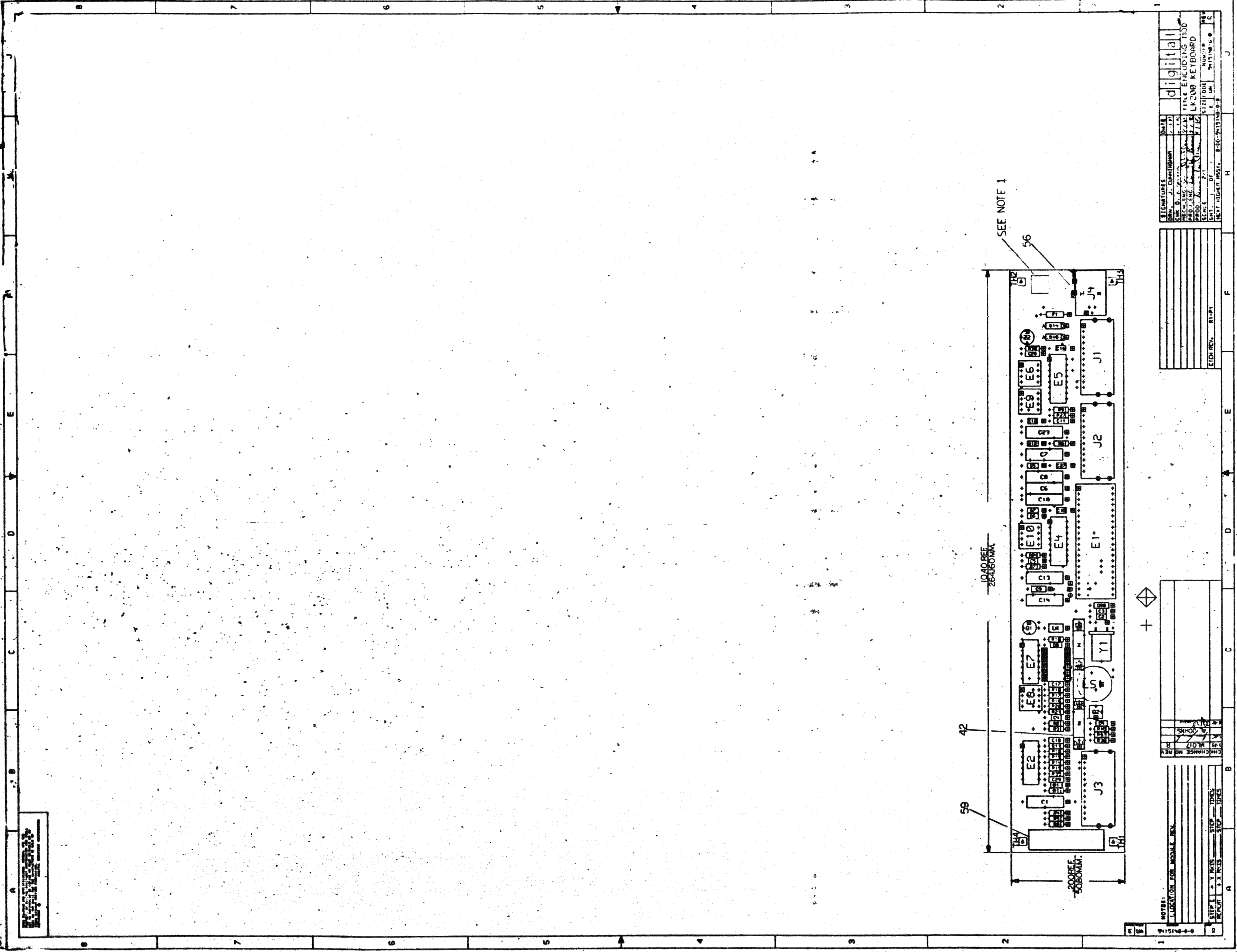
REVISION HISTORY			BASIC PART NO: LK201		DRN:	DATE:	D I G I T A L			
ENG:	ECO NUMBER	REV	SECTION B OF B		D. HEALY	18-MAR-82				
DW	LK201-A-ML009	A	SECTION,VARIATION INDEX		C. LARSON	19-MAY-82	TITLE PARTS LIST			
AJ	LK201-A-ML012	B	(A)CA,CB,CC,CD,CE,CF,				LK201 KEYBOARD			
AJ	LK201-A-ML013	C	CG,CH,CI,CJ,CK,CL		R. LIETERMANN	19-MAY-82	DOCUMENT NUMBER			
			(B)CM,CN,CP,CS,CT,CZ				SIZE	CODE	NUMBER	REV
			(C)		A. LEN	19-MAY-82	K	PL	LK201-C-DBP	C
			(D)				RELEASE DATE: 09-MAY-85			
			(E)		L. QUARLES	19-MAY-82				
			(F)		ASSEMBLY NUMBER:	TOP DOCUMENT NUMBER:	FILE NAME:	EDIT #		
					E-UA-LK201-C-0	#B-DD-LK201-0	Z9826C.PLS	16		

"THIS DRAWING AND THE SPECIFICATIONS CONTAINED HEREIN ARE CONFIDENTIAL AND PROPRIETARY. THEY ARE THE PROPERTY OF DIGITAL EQUIPMENT CORPORATION AND SHALL NOT BE REPRODUCED OR COPIED OR USED IN WHOLE OR IN PART AS THE BASIS FOR THE MANUFACTURE OR SALE OF ITEMS WITHOUT WRITTEN PERMISSION. THIS IS AN UNPUBLISHED WORK PROTECTED UNDER THE FEDERAL COPYRIGHT LAWS."

LINE	ITEM	TOP DOCUMENT	PART NUMBER	MIN REV	DESCRIPTION	QTY PER VARIATION					
						CM	CN	CP	CS	CT	CZ
						A1	A1	K1	A1	A1	A1
31	31	D-AD-7021081-0-DBU	7021081-33		KEYCAP SET SPANISH VAX	-	-	-	1	-	-
32	32	D-AD-7021081-0-DBU	7021081-39		*** THIS ITEM IS NOT USED ***	-	-	-	-	-	-
33	33	D-AD-7021081-0-DBU	7021081-17		KEYCAP SET VAX/US	-	-	-	-	-	1
34	34	D-AD-7021081-0-DBU	7021081-18		*** THIS ITEM IS NOT USED ***	-	-	-	-	-	-
35	35	D-AD-7021081-0-DBU	7021081-19		*** THIS ITEM IS NOT USED ***	-	-	-	-	-	-
36	36	D-AD-7021081-0-DBU	7021081-20		KEYCAP SET VAX/FRENCH	-	-	1	-	-	-
37	37		1700083-09		*** THIS ITEM IS NOT USED ***	-	-	-	-	-	-
38	38	A-PS-3620219-0-0	3620219-17		LABEL,KEYBOARD,US,VAXSTATION	-	-	-	-	-	1
39	39	A-PS-3620219-0-0	3620219-18		LABEL,KEYBOARD,NON-US,VAXSTATION	1	1	1	1	-	-
40	40		3620312-03		LABEL,SERIAL/REGULATORY LK201-CA	1	1	1	1	-	1
41	41	A-PS-3623798-0-0	3623798-01		*** THIS ITEM IS NOT USED ***	-	-	-	-	-	-

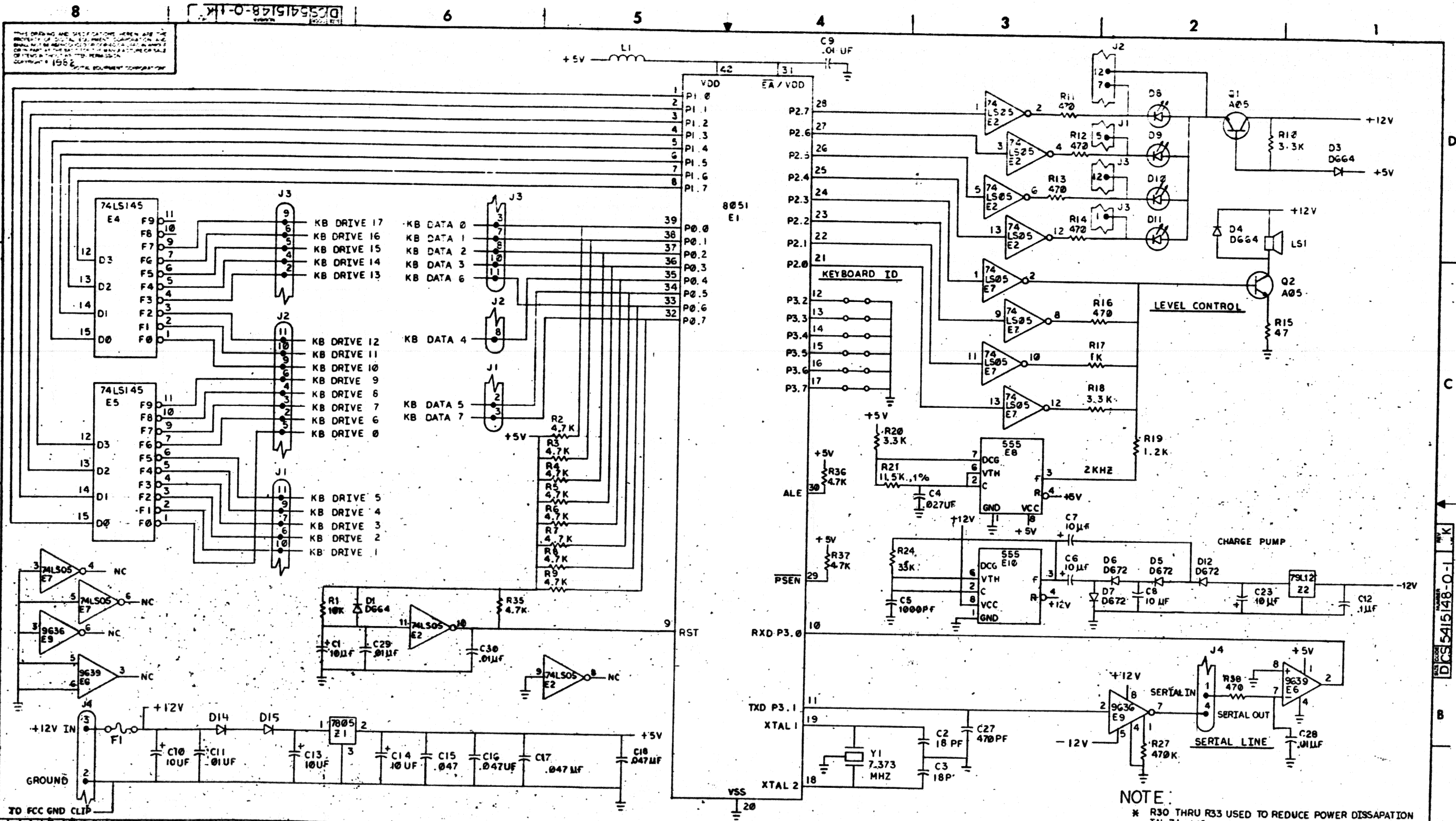
42 NOTE: QUANTITY OF ITEM #3 IS .0002 GALS.

D I G I T A L ARE THE PROPERTY OF DIGITAL	TITLE	SECTION B OF B	SIZE	CODE	DOCUMENT NUMBER	REV
	LK201 KEYBOARD		K	PL	LK201-C-DBP	C



DESIGNER	DATE	digital
CHECKED	DATE	
PROJ. ENG.	DATE	
DATE OF	DATE	
TITLE EXCLUDING FIG. NO.		
LW200 KEYBOARD		
CITY		
STATE		
DRAWING NO.		
REV. NO.		





THIS DRAWING AND SPECIFICATIONS HEREIN ARE THE PROPERTY OF DIGITAL EQUIPMENT CORPORATION AND WILL BE FURNISHED TO YOU UNDER A LICENSE AGREEMENT. ANY REPRODUCTION OR TRANSMISSION OF THIS DRAWING WITHOUT PERMISSION OF THE COMPANY IS PROHIBITED.
 DATE: 1982

DCS 5415148-0-1K

REV	DATE	BY	CHKD	DESCRIPTION
1	10/15/81	J. B.	J. B.	INITIAL
2	11/15/81	B. G.	B. G.	B. G. 15
3	11/15/81	B. G.	B. G.	B. G. 15
4	11/15/81	B. G.	B. G.	B. G. 15
5	11/15/81	B. G.	B. G.	B. G. 15
6	11/15/81	B. G.	B. G.	B. G. 15
7	11/15/81	B. G.	B. G.	B. G. 15
8	11/15/81	B. G.	B. G.	B. G. 15
9	11/15/81	B. G.	B. G.	B. G. 15
10	11/15/81	B. G.	B. G.	B. G. 15
11	11/15/81	B. G.	B. G.	B. G. 15
12	11/15/81	B. G.	B. G.	B. G. 15
13	11/15/81	B. G.	B. G.	B. G. 15
14	11/15/81	B. G.	B. G.	B. G. 15
15	11/15/81	B. G.	B. G.	B. G. 15
16	11/15/81	B. G.	B. G.	B. G. 15
17	11/15/81	B. G.	B. G.	B. G. 15
18	11/15/81	B. G.	B. G.	B. G. 15
19	11/15/81	B. G.	B. G.	B. G. 15
20	11/15/81	B. G.	B. G.	B. G. 15

NOTE:
 * R30 THRU R33 USED TO REDUCE POWER DISSIPATION IN Z1. 1/2 W RES. CHOSEN TO SPREAD OUT THE HEAT AND FOR MACHINE INSERTABILITY.

DATE	BY	DATE	BY	TITLE
10/15/81	J. B.	10/15/81	J. B.	ENCODING MOD.
11/15/81	B. G.	11/15/81	B. G.	CK200 KEYBOARD
11/15/81	B. G.	11/15/81	B. G.	
11/15/81	B. G.	11/15/81	B. G.	
11/15/81	B. G.	11/15/81	B. G.	
11/15/81	B. G.	11/15/81	B. G.	

DOCUMENT NUMBER: DCS 5415148-0-1K

SCALE: 1:1

DRAWING NO.	NO. OF SHTS.	PART NO.	DESCRIPTION	REVISIONS																									
				A	B	C	D	E	F	G	H	I	J	K	L	M	N	O	P	Q	R	S	T	U	V	W	X	Y	Z
		5415148-00	ENCODING MOD. LK200 KEYBOARD	A	B	C	D	E	F	F	F	F2	H1	H2	H3	I4	J	K											
E-UA-5415148-0-0	1		ENCODING MOD. LK200 KEYBOARD	A	B	C	C	D	E	F	H	J	K	L	M	N	N	P	R										
D-CS-5415148-0-1	1		ENCODING MOD. LK200 KEYBOARD	A	B	C	D	E	E	E	E	F	F	F	H	H	J	K											
K-PL-5415148-0-DBP	2		ENCODING MOD. LK200 KEYBOARD	A	B	C	D	E	F	H	J	K	L	M	N	P	R	S	T										
K-PC-5415148-0-DBJ			P.C. DESIGN DATA BASE	J	K	K	L	L	L	M	M	M	M	N	N	P	R	R	S										
		5015147-00	ETCHED CIRCUIT BOARD	J	K	K	L	L	L	M	M	M	M	N	N	P	R	R	S										
B-DD-5015147-0-0	1		DRAWING CIRECTORY	-	-	-	-	-	-	A	A	A	A	B	B	C	D	D	E	F									
		5015147-01	ETCHED CIRCUIT BOARD	-	-	-	-	-	-	-	-	-	-	N	I	N	I	P	I	N	N	I	N	I	N	I	N	I	N

NOTES:

501547-01 WAS CREATED IN ERROR AT ML011.
THIS UNIT MAY BE SUBSTITUTED FOR 5015147-00.

REVISIONS		DATE	CHG NO.	REV.
		5-82	INT	A
		9-82	ML001	B
		10-82	MT002	C
		11-82	ML004	D
		1-83	ML005	E
		2-83	ML006	F
		3-83	ML007	H
		6-83	ML008	J
		6-83	ML009	K
		7-83	ML 010	L
		11-83	ML 011	M
		3-84	ML012	N
		2-84	ML013	P
		4-84	ML014	R
		10-84	ML015	S
		2-85	ML016	T
		3-85	ML017	V

"THIS DRAWING AND SPECIFICATIONS, HEREIN, ARE THE PROPERTY OF DIGITAL EQUIPMENT CORPORATION AND SHALL NOT BE REPRODUCED OR COPIED OR USED IN WHOLE OR IN PART AS THE BASIS FOR THE MANUFACTURE OR SALE OF ITEMS WITHOUT WRITTEN PERMISSION.
COPYRIGHT© 1982 DIGITAL EQUIPMENT CORPORATION



USED ON OPTION/MODEL LK201	DRN. J. COTE	16DEC81	TITLE	ENCODING MOD. LK200 KEYBOARD
	CHK'D D. DROZD	16DEC81	SIZE	B
	ENG. R. GETTYS	26JAN82	CODE	DD
	PROD. L. QUARLES	26JAN82	NUMBER	5415148-0-0
			REV	V
			SHEET	1 OF 1

LINE	ITEM	TOP DOCUMENT	PART NUMBER	MIN REV	DESCRIPTION	QTY PER VARIATION	REFERENCE DESIGNATOR
					VARIATION REVISION LEVEL:	00 K1	
1	1	D-MD-5015147-0-0	5015147-00		54-15148 DRILL AND ETCH BOARD	1	
2	2		1001510-00		.01 MFD 50V +80-20% 75U CER	5	C9,C11,C28-C30
3	3		1012312-00		*** THIS ITEM IS NOT USED ***	-	
4	4		1012784-00		.047 MFD 50V +80-20% CER	4	C15-C18
5	5		1013455-02		18.0 MMF 50V 5% CER	2	C2,C3
6	6		1013455-14		*** THIS ITEM IS NOT USED ***	-	
7	7		1013455-19		470.0 MMF 50V 5% CER	1	C27
8	8		1015573-00		.027 MFD 50V 5% CER	1	C4
9	9		1016549-00		*** THIS ITEM IS NOT USED ***	-	
10	10		1017472-00		10 MFD 35V +75-10% AL EL	8	C1,C6-C8,C10,C13,C14,C23
11	11		1100114-00		PIV= 25 IO=135 MA	3	D1,D3,D4
12	12		1105796-00		PIV= 400 IO= 1.00A 1N4004 DO-41	2	D14,D15
13	13		1120252-01		RED-ULTRA BRIGHT LED-T1 3/4 12MC	4	D8-D11
14	14		1215006-08		*** THIS ITEM IS NOT USED ***	-	
15	15		1217477-00		TRANSDUCER,MINIATURE AUDIO,1.5V	1	LS1
16	16		1218826-00		CONN,PHONE JACK 04 POS	1	J4
17	17		1218827-00		CONN,ZIP 12POS STND FORCE CONN C	3	J1-J3
18	18		1300202-00		47.0 .25 W 5.0 % CF	1	R15
19	19		1300316-00		470.0 .25 W 5.0 % CF	6	R11-R14,R16,R38
20	20		1300365-00		1.0 K .25 W 5.0 % CF	1	R17
21	21		1300426-00		*** THIS ITEM IS NOT USED ***	-	
22	22		1300439-00		3.30 K .25 W 5.0 % CF	3	R10,R18,R20
23	23		1300447-00		4.70 K .25 W 5.0 % CF	11	R2-R9,R35-R37
24	24		1300479-00		10.0 K .25 W 5.0 % CF	1	R1
25	25		1301320-00		1.20 K .25 W 5.0 % CF	1	R19
26	26		1302378-00		*** THIS ITEM IS NOT USED ***	-	
27	27		1302398-00		470.0 K .25 W 5.0 % CF	1	R27
28	28		1309415-00		11.50 K .25 W 1.0 % RN55D-F10	1	R21
29	29		1309417-00		*** THIS ITEM IS NOT USED ***	-	
30	30		1510705-00		XA 05 NPN 500MW SI 60 50 P	2	Q1,Q2

REVISION HISTORY			BASIC PART NO: 5415148					
ENG	ECO NUMBER	REV	SECTION A OF A	DRN:	R.Z.BUREAU	DATE: 26-MAR-82	D I G I T A L	
AL	5415148-ML006	E	SECTION VARIATION INDEX	CHK'D:	DAVID DROZD	DATE: 26-MAR-82	TITLE PARTS LIST	
A.L	5415148-ML007	F	(A) 00				LK200 KEYBOARD ENCODING MODULE	
CC	5415148-ML008	H	(B)	DES.ENG:	BOB GETTYS	DATE: 26-MAR-82	DOCUMENT NUMBER	
BG	5415148-ML009	J	(C)				SIZE	CODE
DW	5415148-ML010	K	(D)	RESP.ENG.:	ART LEN	DATE: 27-MAR-82	K	PL
BG	5415148-ML011	L	(E)				5415148-0-DBP	
DW	5415148-ML012	M	(F)	MFG.ENG.:	LEROY QUARLES	DATE: 25-MAY-82	RELEASE DATE: 01-APR-85	
BG	5415148-ML013	N	(H)	ASSEMBLY NUMBER:		TOP DOCUMENT NUMBER:	FILE NAME:	EDIT #
DW	5415148-ML014	P	(J)	D-UA-5415148-0-0		#B-DD-5415148-0	Z3085T.PLS	32
AJ	5415148-ML015	R	(K)					
AJ	5415148-ML016	S	(L)					
DW	5415148-ML017	T	(M)					
			(N)					

"THIS DRAWING AND THE SPECIFICATIONS CONTAINED HEREIN ARE CONFIDENTIAL AND PROPRIETARY. THEY ARE THE PROPERTY OF DIGITAL EQUIPMENT CORPORATION AND SHALL NOT BE REPRODUCED OR COPIED OR USED IN WHOLE OR IN PART AS THE BASIS FOR THE MANUFACTURE OR SALE OF ITEMS WITHOUT WRITTEN PERMISSION. THIS IS AN UNPUBLISHED WORK PROTECTED UNDER THE FEDERAL COPYRIGHT LAWS."

LINE	ITEM	TOP DOCUMENT	PART NUMBER	MIN REV	DESCRIPTION	QTY	PER VARIATION	REFERENCE DESIGNATOR
						00		
						K1		
31	31		1603421-00		*** THIS ITEM IS NOT USED ***	-		
32	32		1618232-02		*** THIS ITEM IS NOT USED ***	-		
33	33		1812396-13		XTAL 7.373 MHZ	1		Y1
34	34		1912536-01		7805 VOLT REG, FIX -5V	1		Z1
35	35		1912804-00		LS05 INVERTER GATE-HEX 11	2		E2,E7
36	36		1914392-00		*** THIS ITEM IS NOT USED ***	-		
37	37		1915415-00		*** THIS ITEM IS NOT USED ***	-		
38	38		1916028-00		*** THIS ITEM IS NOT USED ***	-		
39	39		1919542-01		9639 RECEIVER, LINE, DUAL	1		E6
40	40		1919580-01		LS145 DECODER, BCD/DECIMAL	2		E4,E5
41	41		23004M1-00		*** THIS ITEM IS NOT USED ***	-		
42	42		7426223-01		SUPPORT, FOR LED, PC MOUNT	1		
43	43		9009185-00		*** THIS ITEM IS NOT USED ***	-		
44	44		1620585-01		*** THIS ITEM IS NOT USED ***	-		
45	45		1916028-B0		*** THIS ITEM IS NOT USED ***	-		
46	46		1915415-B0		9636 BURNED-IN DRIVER, DUAL	1		E9
47	47		1312496-00		*** THIS ITEM IS NOT USED ***	-		
48	48		1215006-18		*** THIS ITEM IS NOT USED ***	-		
49	49		1621534-01		BEAD, FERRITE, HIGH PERM	1		L1
50	50		1013466-09		1000.0 MMF 50V 10% X7R CER	1		C5
51	51		1013466-22		1 MFD 50V +80-20% Z5U CER	1		C12
52	52		1105275-00		PIV= 60 IO=300 MA -15NS	4		D5-D7, D12
53	53		1313349-00		33.0 K .25 W 5.0 % CF	1		R24
54	54		1911944-00		555CN TIMER, FUNCT. BLOCK	2		E8, E10
55	55		1922163-01		79L12 VOLT REG 12V	1		Z2
56	56		7429488-01		CLIP, CHASSIS GROUND	1		
57	57		4840010-01		*** THIS ITEM IS NOT USED ***	-		
58	58		3612911-00		*** THIS ITEM IS NOT USED ***	-		
59	59		3621711-08		LABEL, BAR CODE 1.375X .312	1		
60	60		23004M2-00		M2-01	1		E1
61	61		1300195-00		*** THIS ITEM IS NOT USED ***	-		
62	62		1210929-11		FUSE, SUB-MINI, .375A, 125V, A	1		F1

63 NOTE: PART NUMBER 23004M1 IS AN ACCEPTABLE ALTERNATE FOR ITEM 60

D I G I T A L	TITLE	SECTION A OF A	SIZE	CODE	DOCUMENT NUMBER	REV
	LK200 KEYBOARD ENCODING MODULE		K	PL	5415148-0-DBP	T

AUTOMATED BY PRTLS1,3P1441

PARTS LIST

SHEET A OF A

LINE ITEM	TOP DOCUMENT	PART NUMBER	MIN REV	DESCRIPTION	QTY PER VARIATION
1	1	E-MD-5015171-0-DBU	5015171-00	CIRCUIT DRILL & ETCH	1
2	2	E-MD-7426056-0-DBU	7426056-00	SPACER, SWITCH ARRAY, KEYBOARD	1
3	3		3618460-09	LABEL, BAR CODE BLANK 1.625X .3	1
4	4		3622883-01	LABEL, BAR CODE, POLYESTER, CLEAR	1

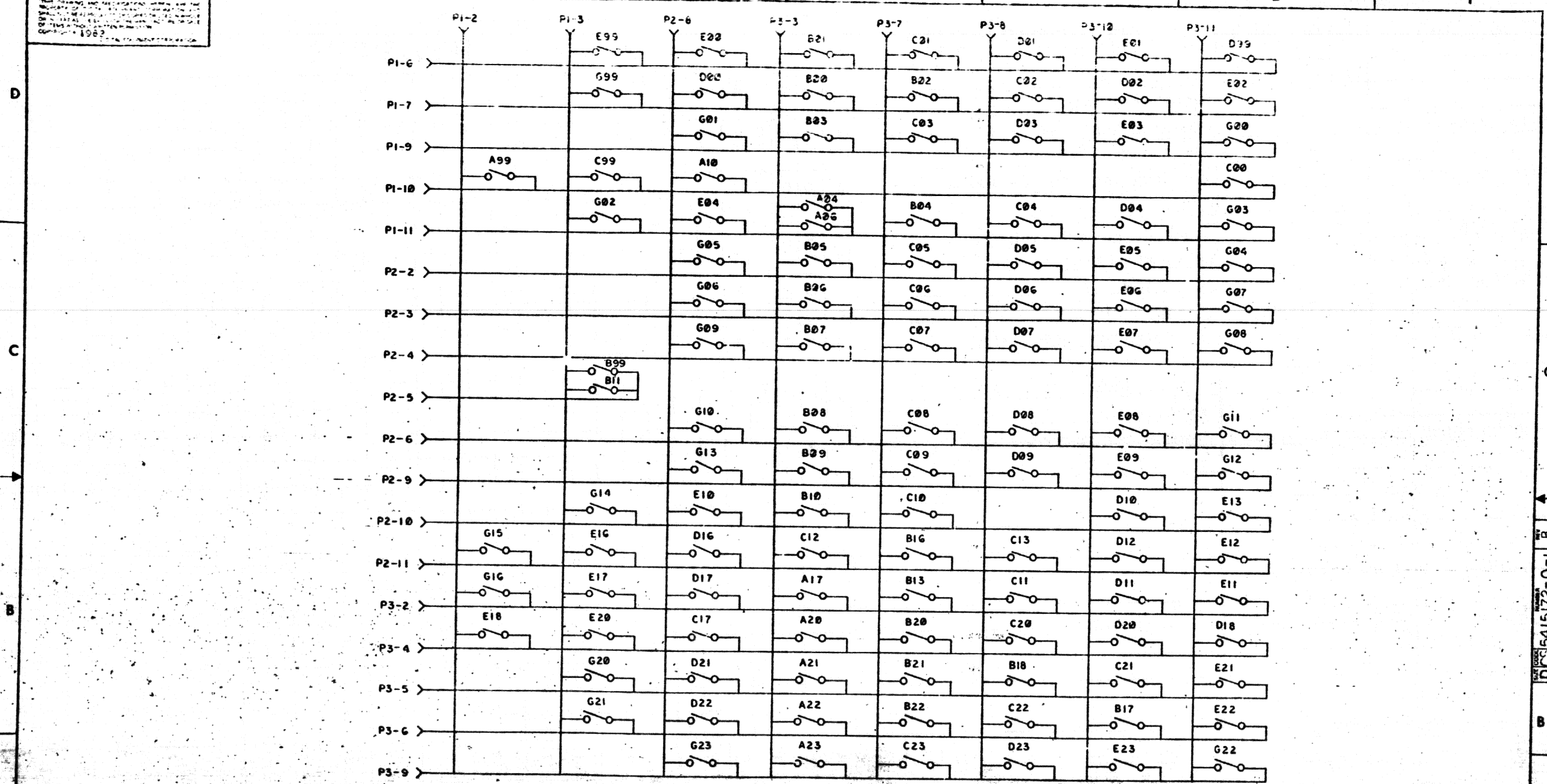
5 NOTE: REV F IS THE MINIMUM ACCEPTABLE REVISION FOR ITEM 1.
 6 NOTE: REV C IS THE MINIMUM ACCEPTABLE REVISION FOR ITEM 2.

REVISION HISTORY			BASIC PART NO: 5415172						
ENG	ECO NUMBER	REV	SECTION A OF A	DRN:	JOHN COTE	DATE:	9-APR-82	D I G I T A L	
---	INITIAL	A	SECTION VARIATION INDEX	CHK'D:	C. LARSEN	DATE:	19-MAY-82	TITLE PARTS LIST	
RL	5415172-ML001	B	(A)00					MEMBRANE ASSY. SWITCH ARRAY	
RL	5415172-ML002	C	(B)	DES. ENG:	R. LEITERMANN	DATE:	19-MAY-82	LK201 KEYBOARD	
AJ	5415172-ML003	D	(C)					DOCUMENT NUMBER	
AJ	5415172-ML004	E	(D)	RESP. ENG.:	A. LEN	DATE:	19-MAY-82	SIZE	CODE
			(E)					K	PL
			(F)	MFG. ENG.:	J. FAY	DATE:	19-MAY-82	5415172-0-DBP	REV
								RELEASE DATE:	15-NOV-84
				ASSEMBLY NUMBER:	E-IA-5415172-0-DBU	TOP DOCUMENT NUMBER:	#B-DD-5415172-0	FILE NAME:	Z3254E.PLS
								EDIT #	11

THIS DRAWING AND THE SPECIFICATIONS CONTAINED HEREIN ARE CONFIDENTIAL AND PROPRIETARY. THEY ARE THE PROPERTY OF DIGITAL EQUIPMENT CORPORATION AND SHALL NOT BE REPRODUCED OR COPIED OR USED IN WHOLE OR IN PART AS THE BASIS FOR THE MANUFACTURE OR SALE OF ITEMS WITHOUT WRITTEN PERMISSION. THIS IS AN UNPUBLISHED WORK PROTECTED UNDER THE FEDERAL COPYRIGHT LAWS.

THIS DRAWING AND ALL INFORMATION CONTAINED HEREIN ARE THE PROPERTY OF THE UNITED STATES GOVERNMENT AND ARE LOANED TO YOU BY THE NATIONAL BUREAU OF STANDARDS. IT IS TO BE REPRODUCED AND TRANSMITTED IN ANY FORM OR BY ANY MEANS, ELECTRONIC OR MECHANICAL, INCLUDING PHOTOCOPYING, RECORDING, OR BY ANY INFORMATION STORAGE AND RETRIEVAL SYSTEM, WITHOUT PERMISSION IN WRITING FROM THE NATIONAL BUREAU OF STANDARDS.

DCS 5415172-0-1 B



DATE	INITIALS	REV.
5-19-62	A	1
5-19-62	B	2
5-19-62	C	3
5-19-62	D	4
5-19-62	E	5
5-19-62	F	6
5-19-62	G	7
5-19-62	H	8

DATE	INITIALS	REV.	DATE	INITIALS	REV.
5-19-62	A	1	5-19-62	B	2
5-19-62	B	2	5-19-62	C	3
5-19-62	C	3	5-19-62	D	4
5-19-62	D	4	5-19-62	E	5
5-19-62	E	5	5-19-62	F	6
5-19-62	F	6	5-19-62	G	7
5-19-62	G	7	5-19-62	H	8

DCS 5415172-0-1 B

MEMBRANE ASSY,
SW. ARRAY
LK201 KEY BD.

DOCUMENT NUMBER
DCS 5415172-0-1 B

SCALE 1/1

ML3

DIGITAL EQUIPMENT CORPORATION
MAYNARD MASSACHUSETTS

PACKAGING INSTRUCTION

TITLE PKG KEYBOARD LK201-A

REV _____ DATE _____

LEGEND

VARIATION PART	REV	PACKAGE TYPE	REMARKS
3700698-01	A1	CUSTOMER	LK201 KEYBOARD SERIES A, B AND C EXCEPT BZ
3700698-02	A1	PALLETIZED/80 PAK	LK201 & RFLK201-AA
3700698-03	A1	CUSTOMER	RFLK201-AA KEYBOARD

PARTS LIST 3700698-01 THRU 3700698-03

REFER TO OFF-SHEET PARTS LIST K-PL-3700698-0-DBP, REV A

PACKAGING ASSEMBLIES 3700698-01 THRU 3700698-03

REFER TO FIGURES 1 AND 2 FOR PICTORIAL PROCEDURE

PACKAGING ASSEMBLIES (3700698-01 AND 3700698-03)
FIGURE 1

STEP PROCEDURE

1. SET UP DIE CUT CARTON (9907139-01 {ITEM #2}).
2. FIX THERMOFORMED TRAY (9907137-01 {ITEM #3}) OVER THE KEYBOARD.
3. ATTACH ONE WHITE POLYSTYRENE END CAP ON EACH END OF THE KEYBOARD.
4. PLACE KEYBOARD WITH END CAPS AND TRAY INTO DIE CUT CARTON.

2 SHEETS ARE "C" SIZE

ENG <i>Jim Avigne</i> 10/84	APPD <i>J. Bettis</i> 10/84	SIZE A	CODE PA	NUMBER 3700698-0-0	REV A
--------------------------------	--------------------------------	-----------	------------	-----------------------	----------

SHEET 1 OF 4

PACKAGING INSTRUCTION

CONTINUATION SHEET

TITLE

PKG KEYBOARD KL201-A

5. PLACE RUBBER FEET (7427577-01), ENCLOSED IN POLY BAG, AND SPECIFIC COUNTRY POWER CORD INTO THE DIE CUT CARTON (9907139-01 {ITEM #2}).
6. APPLY TWO (2) BAR CODE LABELS (3618460-04 {ITEM #6}) WITH MATCHING POWER CORD VARIATIONS ONTO CARTON--ONE ON END PANEL AND ONE ON SIDE PANEL.
7. PLACE PACKAGED KEYBOARD ON CONVEYOR SO THAT IT TRAVELS TO THE CARTON SEALER, WHICH WILL APPLY 31 INCHES OF CLEAR PRESSURE SENSITIVE TAPE (9906487-02 {ITEM #5}).
8. FOR VARIATION -03 ONLY:
ADHERE THREE (3) RFLK201-AA LABELS (3623790-01 {ITEM #11}) ONTO THE CARTON, COMPLETELY COVERING THE DIGITAL LOGOS PER FIGURE 1.
9. FOR FIELD SERVICE RETROFITS AND MANUAL OPERATIONS:
THE REGULAR SLOTTED CARTON (9907008-01 {ITEM #12}) MAY BE USED IN PLACE OF THE DIE CUT CARTON.

PACKAGING ASSEMBLY (3700698-02)
FIGURE 2

STEP PROCEDURE

1. PLACE EIGHTY (80) PACKAGED KEYBOARDS (3700698-01 {ITEM #7} OR 3700698-03 {ITEM #13}) ONTO THE SHIPPING PALLET (9906199-01 {ITEM #8}). ARRANGEMENT TO BE EIGHT (8) CARTONS PER TIER (2 X 4) WITH TEN (10) TIERS HIGH.
2. WHEN STACKING THE KEYBOARDS ONTO THE PALLET, MAKE SURE THAT THE BAR CODE LABEL/S IS ALWAYS VISIBLE.
3. TO SECURE KEYBOARDS TO PALLET, USE STRETCH WRAP MATERIAL (9906553-00 {ITEM #9}).

SIZE A	CODE PA	NUMBER 3700698-0-0	REV A
-----------	------------	-----------------------	----------

SHEET 2 OF 4

This drawing and specifications, herein, are the property of Digital Equipment Corporation and shall not be reproduced or copied or used in whole or in part as the basis for the manufacture or sale of items without written permission.

EN01190 15-REV A(33)

THIS DRAWING AND THE SPECIFICATIONS CONTAINED HEREIN ARE THE PROPERTY OF VAX INC. AND ARE TO BE USED ONLY FOR THE PURPOSES SPECIFIED. ANY REPRODUCTION OR TRANSMISSION OF THIS DRAWING OR THE INFORMATION CONTAINED HEREIN WITHOUT THE WRITTEN PERMISSION OF VAX INC. IS PROHIBITED. THIS DRAWING IS AN UNCLASSIFIED WORK PROTECTED UNDER THE FEDERAL COPYRIGHT LAWS.

PACKAGE DIMENSIONS, WEIGHTS & PLASTIC PACKING MATERIAL

	USA	METRIC
WEIGHT	5.00 LBS.	2.27 KG.
LENGTH	23.75 IN.	603 MM.
WIDTH	10.23 IN.	260 MM.
HEIGHT	4.25 IN.	108 MM.
CUBE	.61 CU.FT.	0.017 CU.M.
DENSITY	9.84 LBS/CU.FT.	160 KG/CU.M.
•PLASTIC	15% [*]	EPS TYPE

*% VOLUME (EXPANDED)
% WEIGHT (UNEXPANDED)

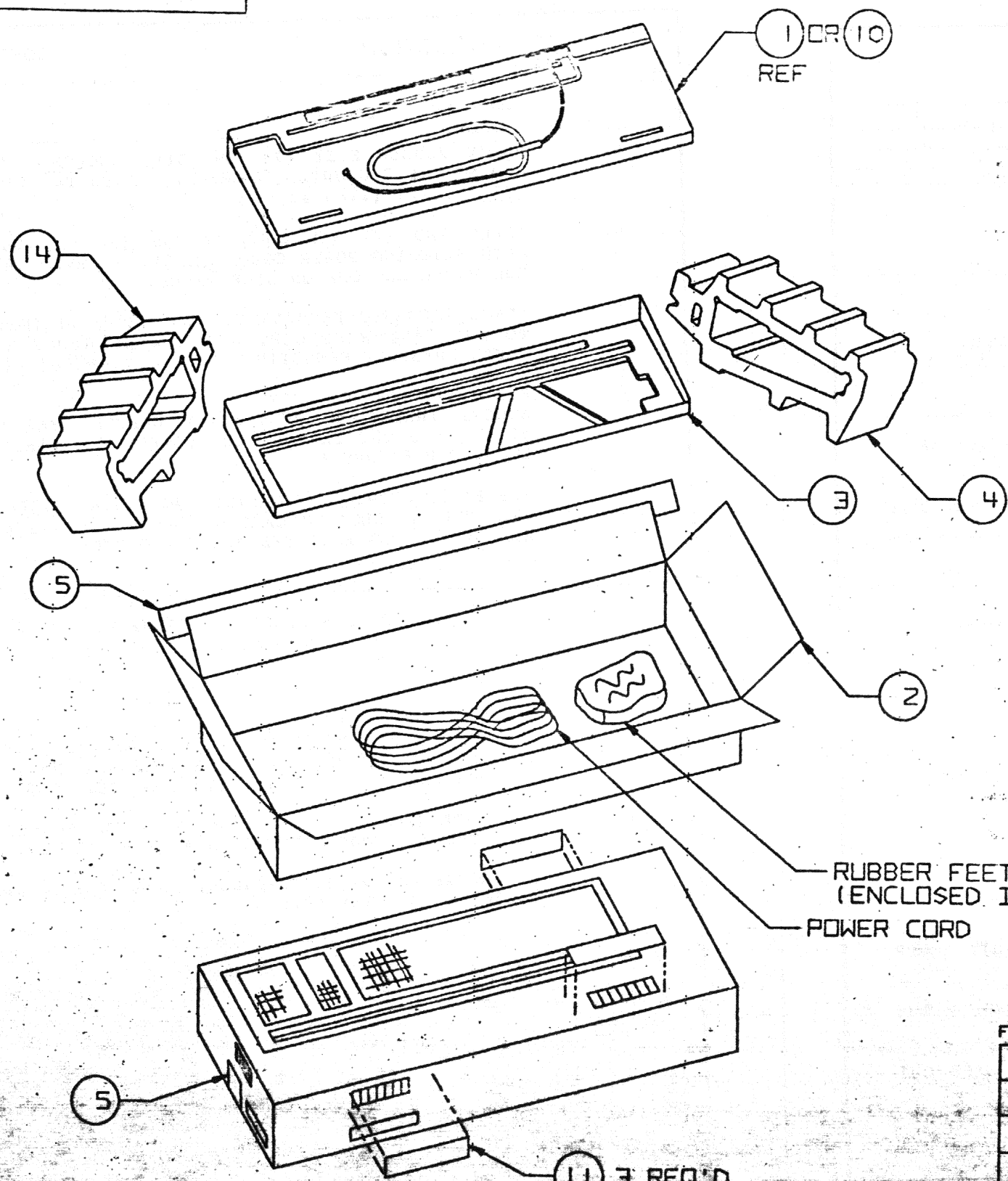


FIGURE 1
EO & 10-8900-7E

RUBBER FEET
(ENCLOSED IN POLY BAG)
POWER CORD

LAYER 1/C TO
PLOT AT .25

FOR OFF SHEET PARTS LIST SEE K-PL-3700698-0-DBP

DRN	T. DOMBROWSKI	DATE	8/22/84	TITLE	digital
CHK'D	R.P. SPINELLI	DATE	8/22/84		
DES. ENG.	J. LAVIGNE	DATE	8/22/84		PKG KEYBOARD LK201-A
RESP. ENG.	J. LAVIGNE	DATE	8/22/84		
WFO. ENG.	C. KNIGHT	DATE	8/22/84		
TOP DOC. NO.				DOCUMENT NUMBER	
		SIZE	CODE	NUMBER	REV.
		C	PA	3700698-0-0	A
		SCALE	NONE	SHEET	3 of 4

REV	ECO NUMBER	DATE

REV. V
0-0-BP900E
3700698
C PA
SIZE CODE NUMBER

THIS DRAWING AND THE SPECIFICATIONS CONTAINED HEREIN ARE THE PROPERTY OF VAX INC. AND ARE TO BE USED ONLY FOR THE PURPOSES SPECIFIED. NO PART OF THIS DRAWING OR SPECIFICATIONS IS TO BE REPRODUCED OR TRANSMITTED IN ANY FORM OR BY ANY MEANS, ELECTRONIC OR MECHANICAL, INCLUDING PHOTOCOPYING, RECORDING, OR BY ANY INFORMATION STORAGE AND RETRIEVAL SYSTEM, WITHOUT PERMISSION IN WRITING FROM VAX INC. THIS DRAWING IS AN UNCLASSIFIED WORK PRODUCT PROTECTED UNDER THE FEDERAL COPYRIGHT LAWS.

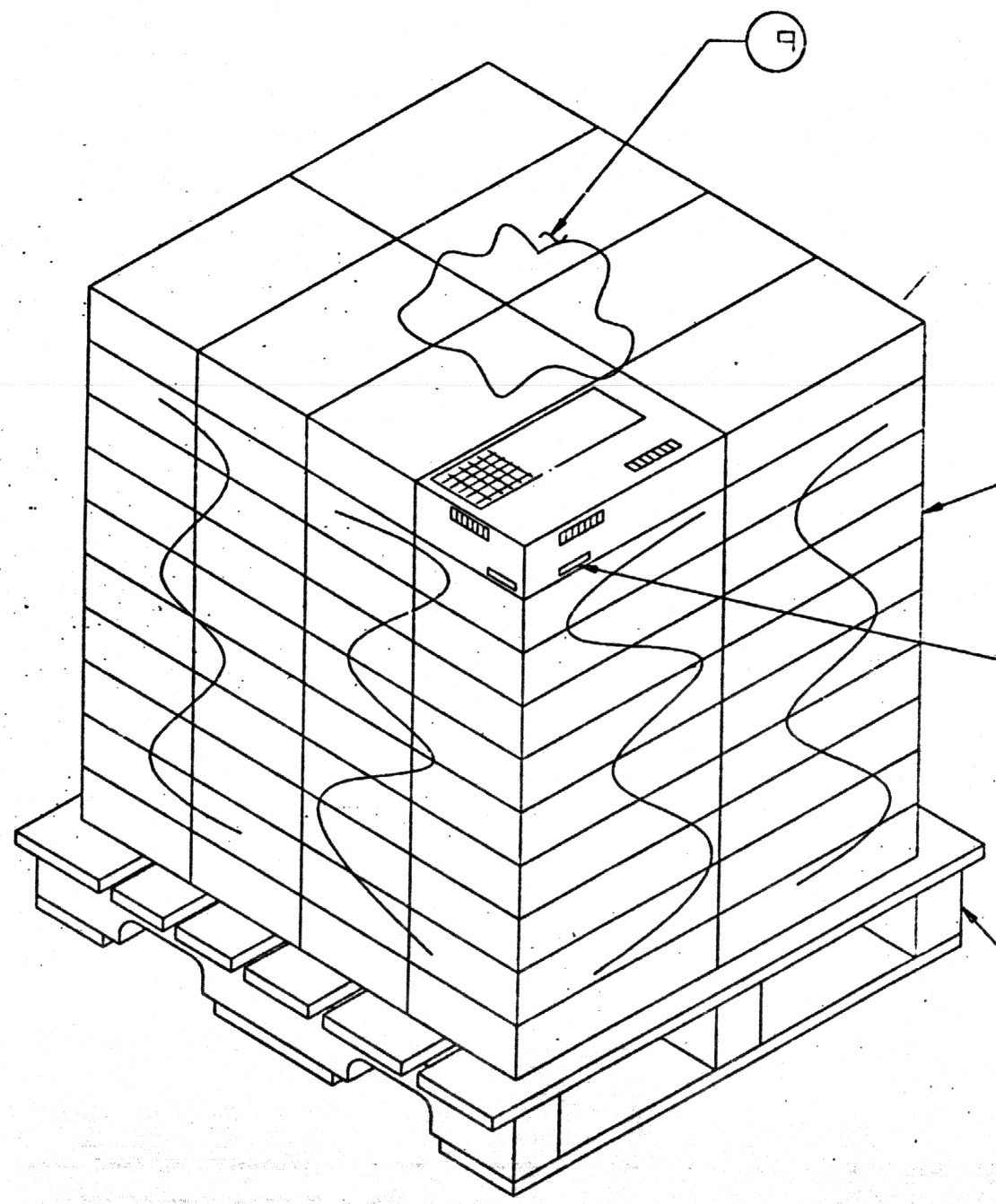
UNCLASSIFIED
 3700698-0-0-DBP
 REV. A

PACKAGE DIMENSIONS, WEIGHTS & PLASTIC PACKING MATERIAL

	USA	METRIC
WEIGHT	530 LBS.	240 KG.
LENGTH	48.00 IN.	1216 MM.
WIDTH	42.00 IN.	1067 MM.
HEIGHT	47.50 IN.	1207 MM.
CUBE	55.40 CU.FT.	1.57 CU.M.
DENSITY	9.57 LBS/CU.FT.	153 KG/CU.M.
*PLASTIC	*L	*I TYPE

*% VOLUME (EXPANDED)
 *% WEIGHT (UNEXPANDED)

8 CARTONS / TIER
 10 TIERS / PALLET
 80 CARTONS / PALLET



7 OR 13
 80 REQ'D

6 (12 REQ'D)
 BAR CODE LABELS SHOULD BE
 VISIBLE WHEN STACKED ON PALLET

8

FIGURE 2
 37-00698-02

LAYER 2/C TD
 PLOT AT .143

STRETCH WRAP DETAIL

REV	ECO NUMBER	DATE

FOR OFF SHEET PARTS LIST SEE K-PL-3700698-0-DBP

DRN T. DOMBROWSKI	DATE 8/22/84	TITLE digital
CHK'D R.P. SPINELLI	DATE 8/22/84	PKG KEYBOARD LK201-A
DES. ENG. J. LAVIGNE	DATE 8/22/84	
RESP. ENG. J. LAVIGNE	DATE 8/22/84	DOCUMENT NUMBER
WFO. ENG. C. KNIGHT	DATE 8/22/84	SIZE CODE NUMBER C PA 3700698-0-0
TOP DOC. NO.	SCALE NONE	REV. A SHEET 4 OF 4

