

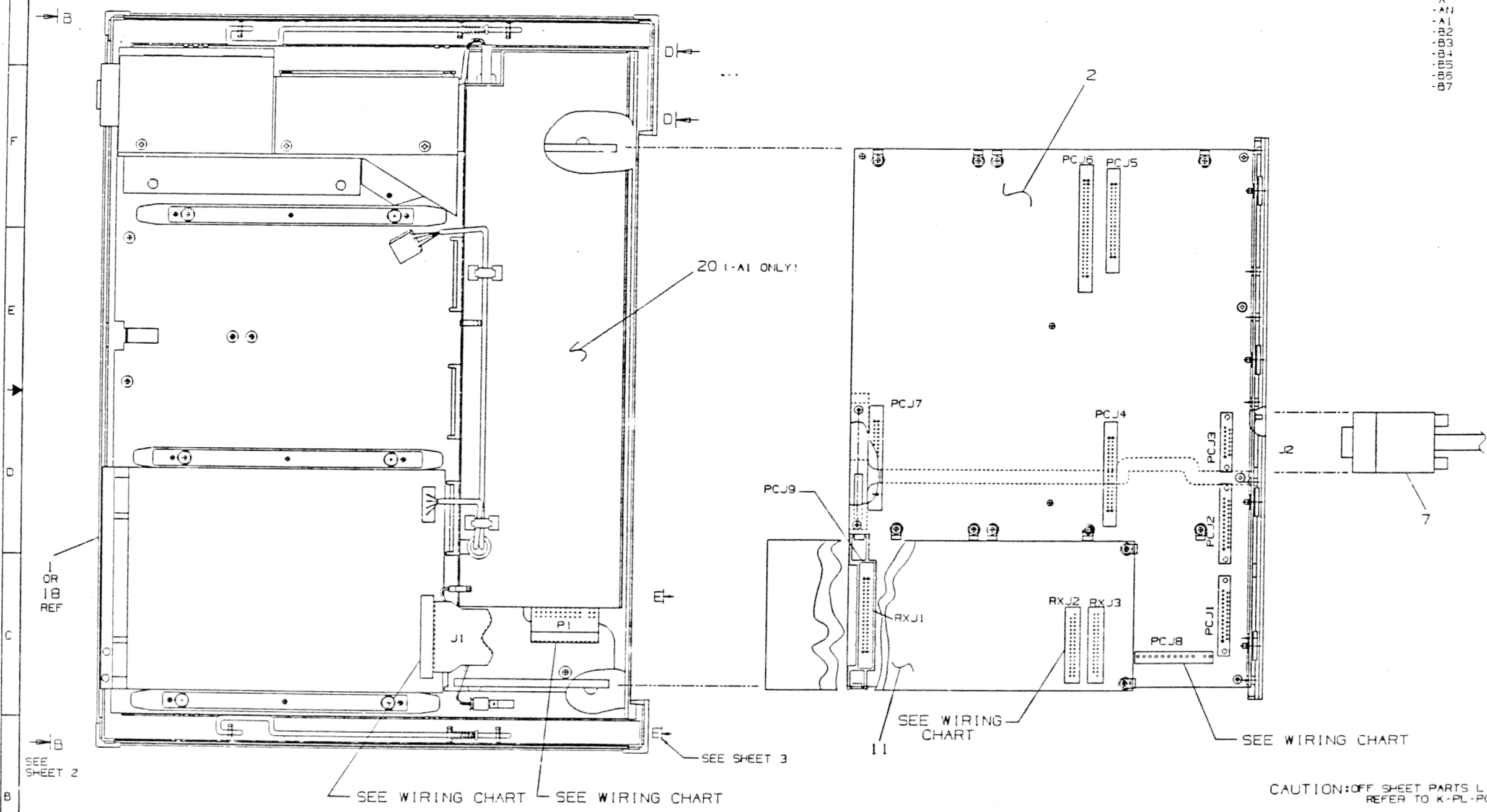
THIS DRAWING AND ALL INFORMATION CONTAINED HEREIN IS THE PROPERTY OF THE COMPANY AND IS TO BE KEPT CONFIDENTIAL. IT IS TO BE USED ONLY FOR THE PURPOSES AUTHORIZED BY THE COMPANY. IT IS TO BE RETURNED TO THE COMPANY AT THE END OF THE PROJECT AND IS NOT TO BE REPRODUCED OR TRANSMITTED IN ANY FORM OR BY ANY MEANS, ELECTRONIC OR MECHANICAL, INCLUDING PHOTOCOPYING, RECORDING, OR BY ANY INFORMATION STORAGE AND RETRIEVAL SYSTEM.

WIRING CHART			
ITEM NO.	FROM	TO	REMARKS
	J1 (BA25-B1) PART OF ITEM 1	RXJ2 (5415482-001) PART OF ITEM 11	J1 USED TO IDENTIFY CABLE
39	PI (BA25-B1) PART OF ITEM 1	PCJ8 (5415486-011) PART OF ITEM 2	PI USED TO IDENTIFY CABLE
7		PCJ3 (5415486-011) PART OF ITEM 2	CONNECTION SHOWN AS REFERENCE. DO NOT CONNECT BEFORE SHIPPING. SHIP SEPARATELY.

LEGEND		
PART NUMBER	REV	DESCRIPTION
PC100-A	SEE 00	AS SHOWN

- NOTES:
- ITEM #23 (NOT SHOWN ON THIS ASSY) WILL BE SHIPPED SEPARATELY AND INSTALLED AT CUSTOMER SITE.
 - PLACE ITEM 17 OR 22 OR 33 OR 34 OR 35 OR 36 OVER A.C. POWER INLET.
 - ITEM #15, QTY OF 2 TO BE SHIPPED LOOSE PIECE. QUANTITY OF 2 WILL BE PLACED ON SHIPPING CONTAINER. MARK ITEM 15, DATA BAR CODE LABEL, WITH PART NO. AND PART REVISION PER DEC. PACKAGING LOGO SPECIFICATION 9905210.
 - THE POWER SUPPLY VOLTAGE SELECT SWITCH MUST BE IN THE PROPER POSITION AS INDICATED:

VARIATION	SWITCH POSITION
-A	115V
-AN	115V
-A1	115V
-B2	115V
-B3	230V
-B4	230V
-B5	230V
-B6	230V
-B7	230V



REV.	DATE	DESCRIPTION
1	01/10/92	INITIAL ISSUE
2	02/10/92	REVISED PER CHANGES
3	03/10/92	REVISED PER CHANGES
4	04/10/92	REVISED PER CHANGES
5	05/10/92	REVISED PER CHANGES
6	06/10/92	REVISED PER CHANGES
7	07/10/92	REVISED PER CHANGES
8	08/10/92	REVISED PER CHANGES

CAUTION: OFF SHEET PARTS LIST EXISTS REFER TO K-PL-PC100-0-DBP

DESCRIPTION	DRAWING NO.	PART NO.
UNLESS OTHERWISE SPECIFIED DIMENSIONS ARE IN INCHES AND THE FOLLOWING TOLERANCES APPLY (PER DEC STD 114)		
DIMENSION RANGE IN INCHES		
0.000 - 0.250	±0.005	
0.250 - 0.500	±0.004	
0.500 - 1.000	±0.003	
1.000 - 1.500	±0.002	
1.500 - 2.000	±0.002	
2.000 - 3.000	±0.002	
3.000 - 4.000	±0.003	
4.000 - 6.000	±0.004	
6.000 - 10.000	±0.005	

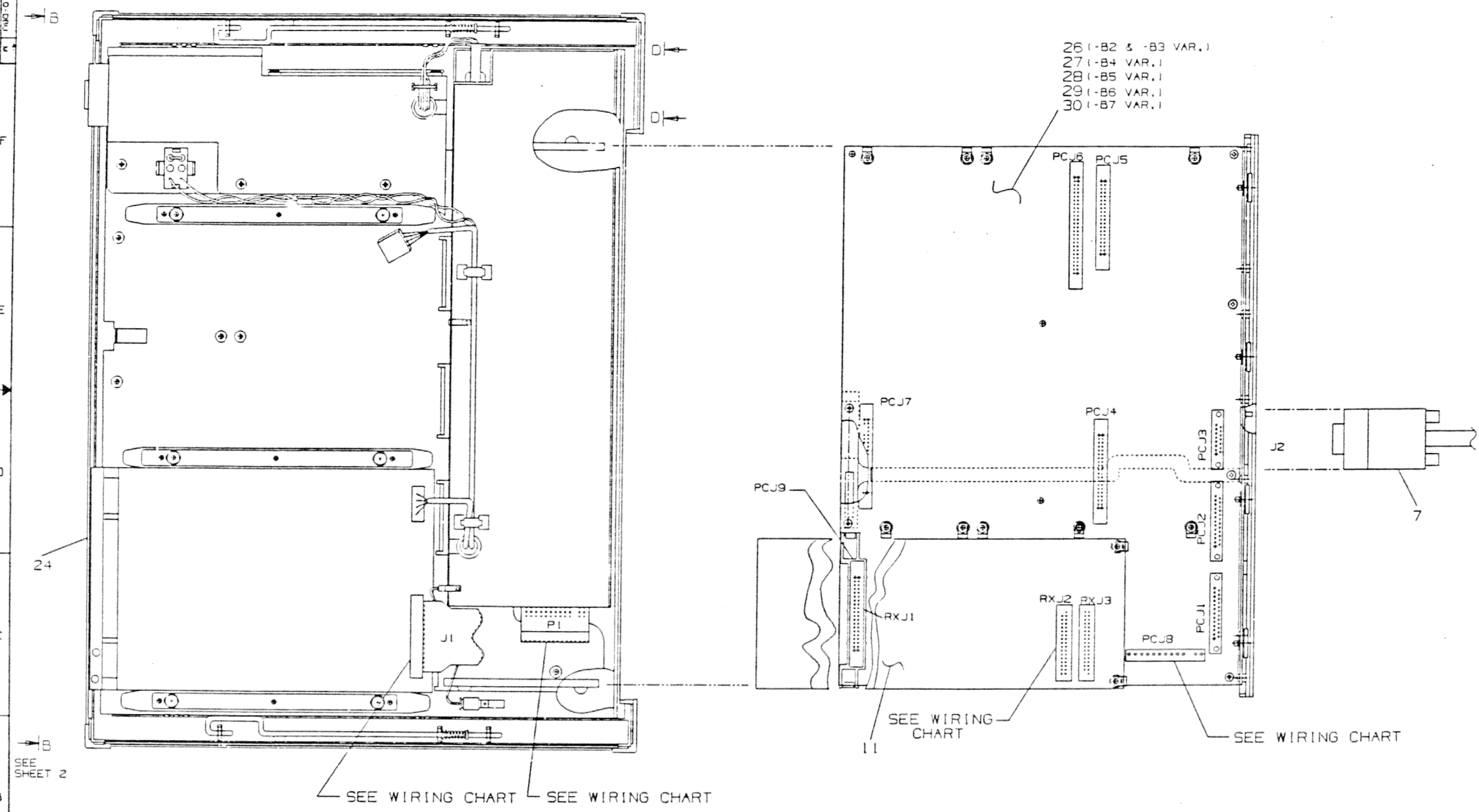
REVISION	DATE	DESCRIPTION
1	01/10/92	INITIAL ISSUE
2	02/10/92	REVISED PER CHANGES
3	03/10/92	REVISED PER CHANGES
4	04/10/92	REVISED PER CHANGES
5	05/10/92	REVISED PER CHANGES
6	06/10/92	REVISED PER CHANGES
7	07/10/92	REVISED PER CHANGES
8	08/10/92	REVISED PER CHANGES

NO.	DESCRIPTION	DATE	BY
1	DESIGNED	01/10/92	[Signature]
2	CHECKED	01/10/92	[Signature]
3	APPROVED	01/10/92	[Signature]
4	RELEASED	01/10/92	[Signature]
5	REWORK	01/10/92	[Signature]
6	REWORK	01/10/92	[Signature]
7	REWORK	01/10/92	[Signature]
8	REWORK	01/10/92	[Signature]

THIS DRAWING IS THE PROPERTY OF THE UNITED STATES GOVERNMENT AND IS LOANED TO YOU BY THE UNITED STATES GOVERNMENT. IT IS TO BE USED ONLY FOR THE PURPOSES FOR WHICH IT WAS ISSUED AND IS NOT TO BE REPRODUCED OR TRANSMITTED IN ANY FORM OR BY ANY MEANS, ELECTRONIC OR MECHANICAL, INCLUDING PHOTOCOPYING, RECORDING, OR BY ANY INFORMATION STORAGE AND RETRIEVAL SYSTEM, WITHOUT WRITTEN PERMISSION FROM THE UNITED STATES GOVERNMENT. GPO : 1965 O - 346-000

WIRING CHART			
ITEM NO.	FROM	TO	REMARKS
	J1 (BA25-B1) PART OF ITEM 24	RXJ2 (5415-82-00) PART OF ITEM 11	J1 USED TO IDENTIFY CABLE
39	P1 (BA25-B1) PART OF ITEM 24	PCJ3 PART OF CPU ASSY.	P1 USED TO IDENTIFY CABLE
7		PCJ3 PART OF CPU ASSY.	CONNECTION SHOWN AS REFERENCE; DO NOT CONNECT BEFORE SHIPPING SHIP SEPARATELY.

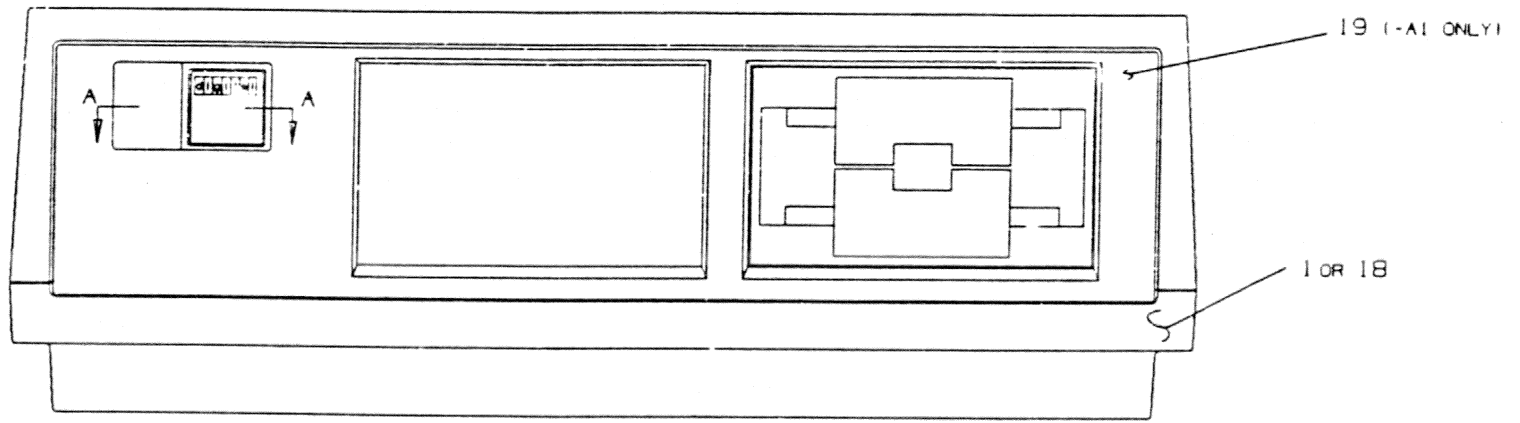
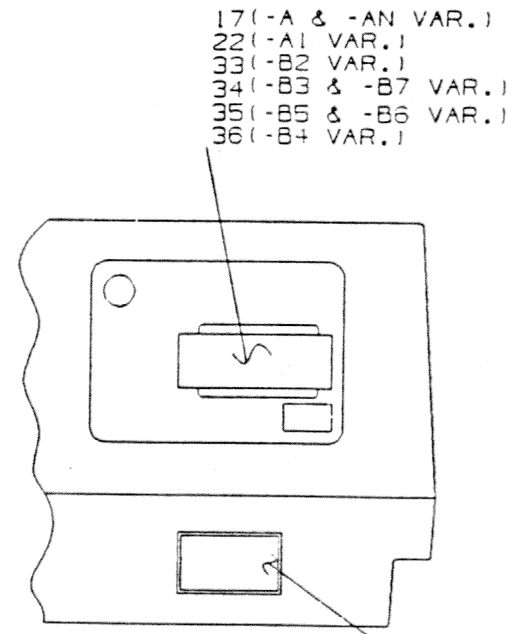
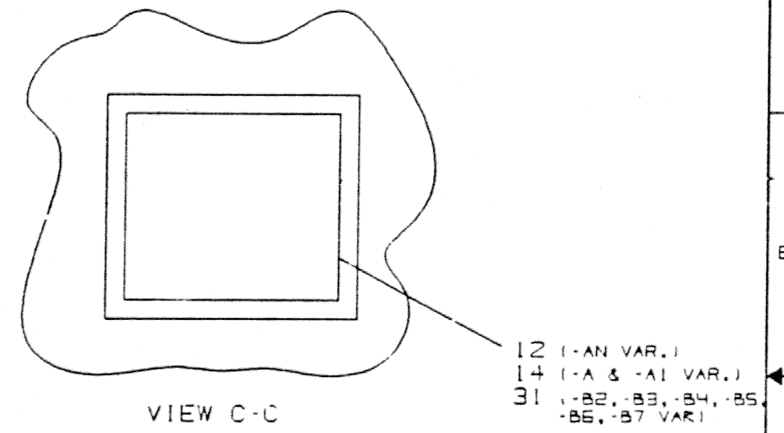
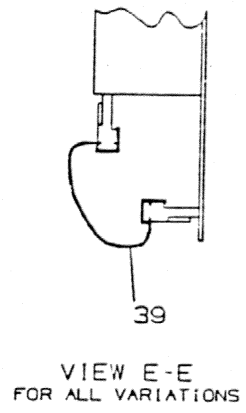
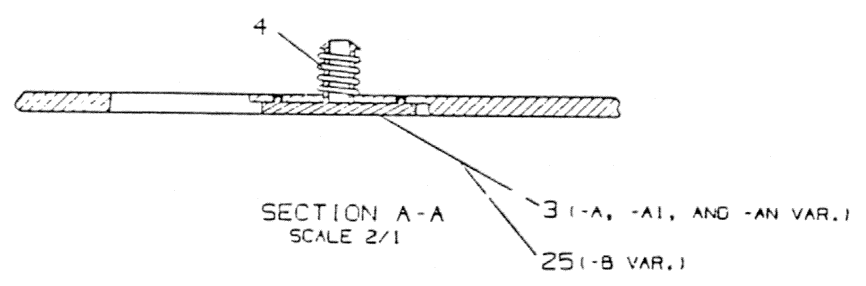
LEGEND		
PART NUMBER	REV	DESCRIPTION
PC100-82 THRU -87	SEE DO	AS SHOWN



REVISION HISTORY		
DATE	BY	REV

THIS DRAWING HAS SPECIFICATIONS, DIMENSIONS, AND THE PARTS LISTED HEREIN. THE PARTS LISTED HEREIN ARE SUBJECT TO CHANGE WITHOUT NOTICE. THE PARTS LISTED HEREIN ARE SUBJECT TO CHANGE WITHOUT NOTICE. THE PARTS LISTED HEREIN ARE SUBJECT TO CHANGE WITHOUT NOTICE.

LEGEND		
PART NUMBER	REV	DESCRIPTION
PC100-A THRU -AN	SEE DO	AS SHOWN
PC100-B2 THRU -B7	SEE DO	AS SHOWN



REVISION HISTORY		
DATE	ECO HISTORY	REV
SEE SHEET 1		

DOCUMENT NUMBER		
STANDARD	MARKING	REV
EUA	PC100-0-DBU	U
SCALE 1/1	SHEET 1	OF 1

J
I
H
G
F
E
D
C
B
A

J
I
H
G
F
E
D
C
B
A

7 6 5 4 3 2

LINE ITEM	TOP DOCUMENT	PART NUMBER	MIN REV	DESCRIPTION	QUANTITY PER VARIATION/REVISION									
					A A7	A1 A6	AN A7	B2 A2	B3 A3	B4 A2	B5 A2	B6 A2	B7 A2	
1	E-UA-BA25-0-0	BA25 -B		BA25-A,RX50-AA,H7842-A,120/240V	1	-	1	-	-	-	-	-	-	-
2	D-AD-7019974-0-DBU	70-19974-00		CPU ASSY, RAINBOW 100	1	1	1	-	-	-	-	-	-	-
3	D-IA-7427256-0-DBU	74-27256-03		MEDALLION,RAINBOW 100	1	1	1	-	-	-	-	-	-	-
4		12-20113-01		SPRING,COMPRESSION .3000DX .380LG	1	1	1	1	1	1	1	1	1	1
5		90-10318-02		*** THIS ITEM IS NOT USED ***	-	-	-	-	-	-	-	-	-	-
6	A-PA-3700695-0-0	37-00695-02		PKG SYSTEM PC100-A CUSTOMER SMALL	1	1	1	-	-	-	-	-	-	-
7		17-00283-00		CABLE ASSY,07 COND,MOLD,SHLD 15S	1	1	1	1	1	1	1	1	1	1
8		36-20218-01		*** THIS ITEM IS NOT USED ***	-	-	-	-	-	-	-	-	-	-
9		36-17905-01		*** THIS ITEM IS NOT USED ***	-	-	-	-	-	-	-	-	-	-
10		36-20215-02		*** THIS ITEM IS NOT USED ***	-	-	-	-	-	-	-	-	-	-
11	E-UA-5415482-0-0	54-15482-00		PC100 RX50 CONTROLLER	1	1	1	1	1	1	1	1	1	1
12		36-20218-05		LABEL,REGULATIONS,PC INTERIM	-	-	1	-	-	-	-	-	-	-
13		17-00289-00		*** THIS ITEM IS NOT USED ***	-	-	-	-	-	-	-	-	-	-
14		36-20218-07		LABEL,PC100	1	1	-	-	-	-	-	-	-	-
15				*** THIS ITEM IS NOT USED ***	-	-	-	-	-	-	-	-	-	-
16		36-18460-06		LABEL,BAR CODE BLANK .50 X4.0	4	4	4	4	4	4	4	4	4	4
17		36-16157-00		LABEL,CORRECT VOLTAGE SETTING,CAUT	1	-	1	-	-	-	-	-	-	-
18	E-UA-BA25-0-0	BA25 -A		SMALL SYSTEM UNIT ENCLOSURE	-	1	-	-	-	-	-	-	-	-
19	E-UA-RX50-0-DBU	RX50 -AA		DUAL 5.25" SINGLE SIDED FLOPPY DRI	-	1	-	-	-	-	-	-	-	-
20	E-UA-H7842-0-0	H7842-B		H7842-A EXCEPT 120V ONLY	-	1	-	-	-	-	-	-	-	-
21		36-20215-08		LABEL,PWR.RATING CT 120V 3.0A	-	1	-	-	-	-	-	-	-	-
22		36-21750-01		LABEL,PERMANENTLY SET FOR 120V	-	1	-	-	-	-	-	-	-	-
23		17-00402-01		CABLE ASSY 16COND 26AWG 10'LG	1	1	1	1	1	1	1	1	1	1
24	E-UA-BA25-0-0	BA25 -CB		BA25-CA,RX50-AA,H7842-D,120/240V	-	-	-	1	1	1	1	1	1	1
25	D-IA-7427256-0-DBU	74-27256-06		MEDALLION WITH SCRIPT,RAINBOW	-	-	-	1	1	1	1	1	1	1
26	D-AD-7019974-0-DBU	70-19974-02		CPU ASSY, RAINBOW 100B LANG CL1	-	-	-	1	1	-	-	-	-	-
27	D-AD-7019974-0-DBU	70-19974-03		CPU ASSY, RAINBOW 100B LANG CL2	-	-	-	-	-	1	-	-	-	-
28	D-AD-7019974-0-DBU	70-19974-04		CPU ASSY, RAINBOW 100B LANG CL3	-	-	-	-	-	-	1	-	-	-
29	D-AD-7019974-0-DBU	70-19974-05		CPU ASSY, RAINBOW 100B LANG CL4	-	-	-	-	-	-	-	1	-	-
30	D-AD-7019974-0-DBU	70-19974-06		CPU ASSY, RAINBOW 100B LANG CL5	-	-	-	-	-	-	-	-	1	-
31		36-20218-09		LABEL,PC100-B	-	-	-	1	1	1	1	1	1	1
32		36-20218-12		*** THIS ITEM IS NOT USED ***	-	-	-	-	-	-	-	-	-	-

REVISION HISTORY			KPL MATRIX FORMAT SECTION A OF A		DRN: S. AZEVEDO	DIGIT A L					
ENG	ECO NUMBER	REV	SECTION/VARIATION INDEX		DATE: 23-JUL-82						
---	INITIAL	A	[A]	A ,A1,AN,B2,B3,B4,B5,B6,B7	CHK'D: D. HEALY	TITLE PARTS LIST					
DD	PC100-ML001	B	[B]		DATE: 08-DEC-82	RAINBOW					
FC	PC100-ML002	C	[C]		DES.ENG: D. MOORE						
FC	PC100-ML003	D	[D]		DATE: 08-DEC-82	DOCUMENT NUMBER					
FC	PC100-ML005	E	[E]		RESP.ENG.: F. CHALOUX	SIZE	CODE	NUMBER			REV
AJ	PC100-ML007	H	[H]		DATE: 08-DEC-82	K	PL	PC100-0-DBP			M
AJ	PC100-ML008	J	[J]		MFG.ENG: B. PORTER	RELEASE DATE: 14-MAY-86					
AJ	PC100-ML0011	L			DATE: 08-DEC-82	RELEASE STATUS: RELEASED					
AJ	PC100-ML0012	M									
			BASIC PART NUMBER:	ASSEMBLY NUMBER:	TOP DOCUMENT NUMBER:	FILE NAME:		EDIT #			
			PC100	E-UA-PC100-0-DBU	B-DD-PC100-0	Z5232M.PLS		6			

"THIS DRAWING AND THE SPECIFICATIONS CONTAINED HEREIN ARE CONFIDENTIAL AND PROPRIETARY. THEY ARE THE PROPERTY OF DIGITAL EQUIPMENT CORPORATION AND SHALL NOT BE REPRODUCED OR COPIED OR USED IN WHOLE OR IN PART AS THE BASIS FOR THE MANUFACTURE OR SALE OF ITEMS WITHOUT WRITTEN PERMISSION. THIS IS AN UNPUBLISHED WORK PROTECTED UNDER THE FEDERAL COPYRIGHT LAWS."

PARTS LIST

LINE	ITEM	TOP DOCUMENT	PART NUMBER	MIN REV	DESCRIPTION	SHEET A2 OF A2										
						QUANTITY	PER VARIATION	PER REVISION	A7	A6	A7	A2	A3	A2	A2	A2
33	33		36-17905-07		LABEL,EQUIP SET 100-120V ENG,FR,SP	-	-	-	1	-	-	-	-	-	-	-
34	34		36-17905-09		LABEL,EQUIP SET 220-240V ENG,FR,GE	-	-	-	-	1	-	-	-	-	-	-
35	35		36-17905-11		LABEL,EQUIP SET 220-240V ENG,SWD,D	-	-	-	-	-	-	-	1	1	-	1
36	36		36-17905-12		LABEL,EQUIP SET 220-240V ENG,FR,GE	-	-	-	-	-	-	1	-	-	-	-
37	37	A-PA-3700695-0-0	37-00695-05		PKG SYSTEM PC100-B CUSTOMER	-	-	-	-	-	1	-	-	-	-	-
38	38		36-20215-09		*** THIS ITEM IS NOT USED ***	-	-	-	1	1	1	1	1	1	1	1
39	39		17-00318-02		CABLE ASSY,13 COND,FLAT (1X13)RE	-	-	-	-	-	-	-	-	-	-	-
40	40		36-20215-13		LABEL,PWR.RATING CT PC278	1	1	1	1	1	1	1	1	1	1	1

3 GEN: 3620218-10 IS A REQUIRED ALTERNATE FOR ITEM 14 (WHEN MFG AT ZGO)
 4 GEN: 3620218-11 IS A REQUIRED ALTERNATE FOR ITEM 31 (WHEN MFG AT ZGO)
 5 GEN: 36-20215-12 IS REQUIRED FOR 3620215-13(WHEN MFG AT ZGO)

D	I	G	I	T	A	L	TITLE	SECTION A OF A	SIZE	CODE	DOCUMENT NUMBER	REV
							RAINBOW		K	PL	PC100-0-DBP	M

DRAWING NO.	NO. OF SHOTS	PART NO.	DESCRIPTION	REVISIONS															
				A1	A2	A3	A4	A4	A5	A5	A6	A6	A6	A6	A7				
		PC100-A	PERSONAL COMPUTER, Z80 & 8088 64KB RAM, 24x80/132 CHARACTERS, Rx50 FLOPPY, PRINTER PORT, ASYNC/ SYNC PORT, 120/240V																
		PC100-AN	NON FCC COMPLAINT PC100-A, 120/240V																
		PC100-A1	PC100-A EXCEPT 120V ONLY																
		PC100-B2	PERSONAL COMPUTER, Z80 & 8088, 128KB RAM, 24x80/132 CHARACTERS, Rx50 FLOPPY, 120, ENGLISH-GERMAN- FRENCH																
		PC100-B3	PERSONAL COMPUTER, Z80 & 8088, 128KB RAM, 24x80/132 CHARACTERS, Rx50 FLOPPY, PRINTER PORT, ASYNC/ SYNC PORT, 240V, ENGLISH-GERMAN- FRENCH																
		PC100-B4	PERSONAL COMPUTER, Z80 & 8088, 128KB RAM, 24x80/132 CHARACTERS, Rx50 FLOPPY PRINTER PORT, ASYNC/SYNC PORT, 240V, ENGLISH-DUTCH-FRENCH																

NOTES:

REVISION HISTORY		A	A	A	A	B	B	C	C	D	E	F	H
DATE	ECO NO.	INITIAL	ML001	ML002	ML003	ML004	ML005	ML006	ML007	ML008	ML010	ML011	ML0012

THIS DRAWING AND THE SPECIFICATIONS CONTAINED HEREIN ARE CONFIDENTIAL AND PROPRIETARY. THEY ARE THE PROPERTY OF DIGITAL EQUIPMENT CORPORATION AND SHALL NOT BE REPRODUCED OR COPIED OR USED IN WHOLE OR IN PART AS THE BASIS FOR THE MANUFACTURE OR SALE OF ITEMS WITHOUT WRITTEN PERMISSION. THIS IS AN UNPUBLISHED WORK PROTECTED UNDER THE FEDERAL COPYRIGHT LAWS.



DRN. D. HEALY	DATE 02 DEC 82	TITLE	RAINBOW
CHK'D D. HEALY	DATE 02 DEC 82	DOCUMENT NUMBER	
DES. ENG. F. CHALOUX	DATE 02 DEC 82	SIZE	B DD
RESP. ENG. F. CHALOUX	DATE 02 DEC 82	CODE	
MFG. ENG. B. PORTER	DATE 02 DEC 82	NUMBER	PC100-0
		REV.	H
		SHEET	1 OF 2

DRAWING NO.	NO. OF SHEETS	PART NO.	DESCRIPTION	REVISIONS																		
		PC100-B5	PERSONAL COMPUTER, Z80 & 8088, 128KB										A1	A2	A2	A2						
			RAM, 24x80/132 CHARACTERS, Rx50																			
			FLOPPY, PRINTER PORT, ASYNC/SYNC																			
			PORT, 240V, ENGLISH-FINNISH-SWEDISH																			
		PC100-B6	PERSONAL COMPUTER, Z80 & 8088, 128KB										A1	A2	A2	A2						
			RAM, 24x80/132 CHARACTERS, Rx50																			
			FLOPPY, PRINTER PORT, ASYNC/SYNC																			
			PORT, 240V, ENGLISH-DANISH-NORWEGIAN																			
		PC100-B7	PERSONAL COMPUTER, Z80 & 8088, 128KB										A1	A2	A2	A2						
			RAM, 24x80/132 CHARACTERS, Rx50																			
			FLOPPY, PRINTER PORT, ASYNC/SYNC																			
			PORT, 240V, ENGLISH-SPANISH-ITALIAN																			
E-UA-PC100-0-DBU			RAINBOW	A	B	C	D	D	E	F	H	J	K	L	M							
K-PL-PC100-0-DBP			RAINBOW (PL)	A	B	C	D	D	E	F	H	J	K	L	M							
B-TC-PC100-0-1			RAINBOW (TC)	A	A	A	A	A	A	B	B	B	B	B	B							
A-SP-PC100-0-0			PC100-B SYSTEM SPECIFICATION					A	A	A	A	A	A	A	A							
MP-01491-00			RAINBOW PC100-B (MP)	REF	REF	REF	REF	REF	REF	REF	REF	REF	REF	REF	REF							

NOTES:

REVISION HISTORY		DATE	ECO NO.	REV.
	INITIAL			A
	ML001			A
	ML002			A
	ML003			A
	ML004			B
	ML005			B
	ML006			C
	ML007			C
12	ML008	APR 84		D
30	ML010	NOV 84		E
31	ML011	DEC 84		F
	ML0012	May 86		H



TITLE		DOCUMENT NUMBER	
RAINBOW		NUMBER PC100-0	
SIZE	CODE	REV.	
B	DD	H	
SHEET 2		OF 2	

DRAWING NO.	NO. OF SHTS.	PART NO.	DESCRIPTION	REVISIONS															
				A	B	C	D	E	E	E	E	F	F	F	F	F	F	F	F
		5415486-00	PC100 MOTHER BOARD	A	B	C	D	E	E	E	E	F	F	F	F	F	F		
E-UA-5415486-0-0	1		PC100 MOTHER BOARD	A	B	C	D	E	E	E	F	F	F						
D-CS-5415486-0-1	13		PC100 MOTHER BOARD	A	B	C	D	E	E	E	E	E							
K-PL-5415486-0-DBP	4		PC100 MOTHER BOARD	A	B	C	D	E	E	E	F	H	J						
K-PC-5415486-0-DBC			PC DESIGN DATA BASE	E	E	E	E	F	F	F	F	F	F						
		5015485-00	ETCHED CIRCUIT BOARD	E	E	E	E	F	F	F	F	F	F						
D-MD-5015485-0-0	4		CIRCUIT DRILL & ETCH DRAWING	A	A	A	A	B	B	B	B	B	B						
E-EC-5015485-0-0	1		ETCH CUT DRAWING	A	B	C	D	E	E	E	E	E	E						
E-UA-5415486-0-0	1		PC100 MOTHER BOARD	-	-	-	-	-	D1	D2	D2	D2	D2						
D-CS-5415486-0-1	13		PC100 MOTHER BOARD	-	-	-	-	-	D1	D2	D2	D2	D2						
K-PL-5415486-0-DBP	4		PC100 MOTHER BOARD	-	-	-	-	-	D1	D2	D2	D2	D2						

NOTES:

REVISIONS		A	B	C	D	E	F	H	J	K	L
DATE	CHG NO.	INIT	ML001	ML002	ML003	ML004	ML005	ML006	ML007	ML008	ML009
6-82											
10-82											
11-82											
12-82											
2-83											
5-83											
7-83											
11-83											
7-84											
1-85											

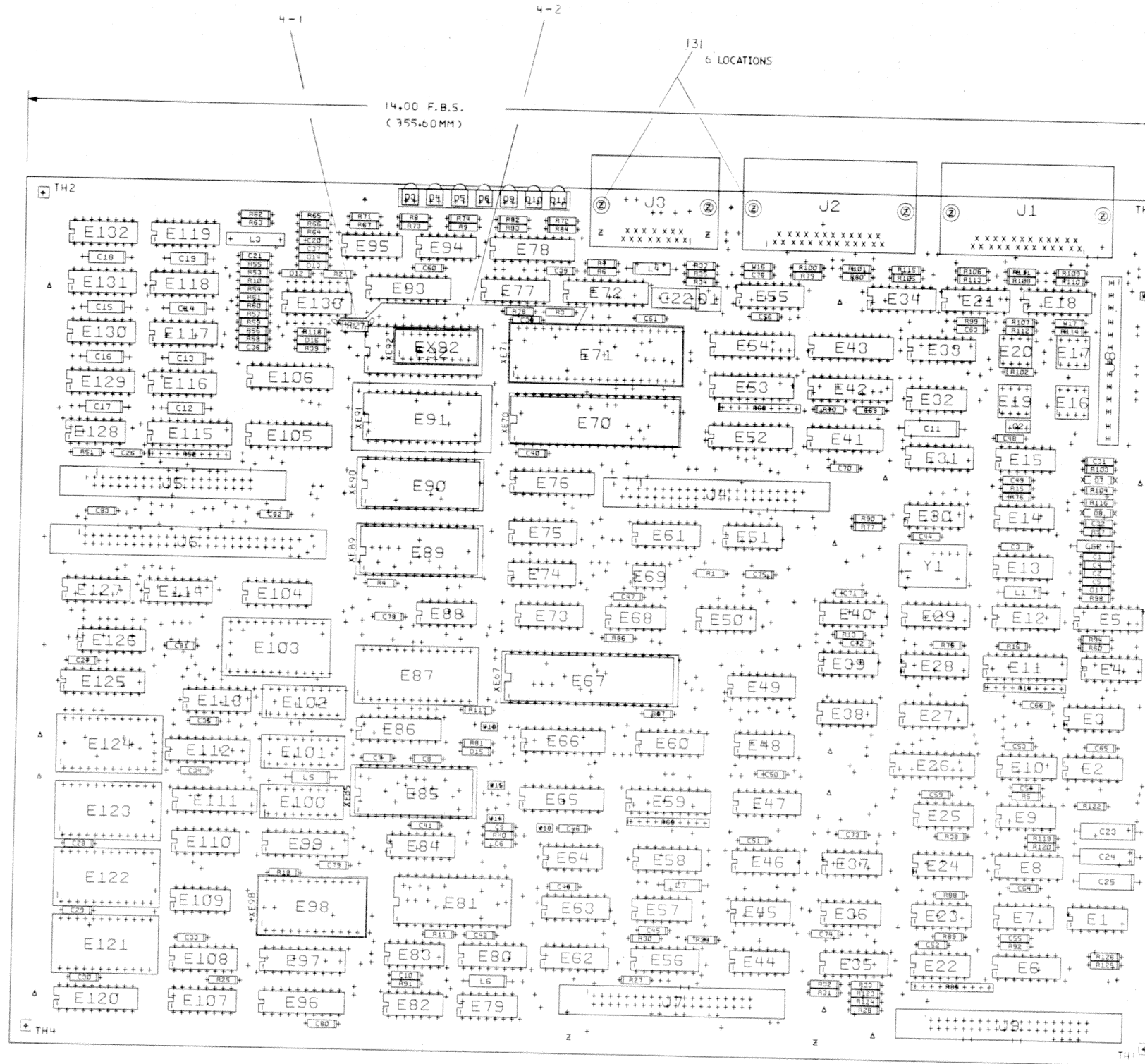
"THIS DRAWING AND SPECIFICATIONS, HEREIN, ARE THE PROPERTY OF DIGITAL EQUIPMENT CORPORATION AND SHALL NOT BE REPRODUCED OR COPIED OR USED IN WHOLE OR IN PART AS THE BASIS FOR THE MANUFACTURE OR SALE OF ITEMS WITHOUT WRITTEN PERMISSION.
 COPYRIGHT © 1982 DIGITAL EQUIPMENT CORPORATION



USED ON OPTION/MODEL PC100	DRN. PEG LENNON 30JUN82	TITLE PC100 MOTHER BOARD
	CHK'D FRED CHALOUX 30JUN82	
	ENG. FRED CHALOUX 30JUN82	SIZE B DD CODE DD NUMBER 5415486-0
	PROD ED TOMPKINS 30JUN82	REV L SHEET 1 OF 1

REWORK INSTRUCTIONS

ECO 5415466-ML04B
 COMPONENT ADD SIDE 1 AS SHOWN
 4-1 R127
 WIRE ADD SIDE 1 AS SHOWN
 4-2 FROM E133-7 TO E71-33



SIGNATURES	DATE	REVISION
DRN. G. J. RUBENHALD	1/13/68	1
DESIGNER		
PROJ. ENGR. G. J. RUBENHALD	1/13/68	1
SCALE	1/1	
SHT. OF	1	
NEXT NUMBER	5415466-00-5415466-0-1	

digital
 TITLE: PC100 MOTHER BOARD
 SIZE CODE: 0-0

ALL DIMENSIONS ARE IN MILLIMETERS
 DIMENSIONS IN PARENTHESES ARE IN INCHES
 DIMENSIONS IN BRACKETS ARE IN INCHES
 DIMENSIONS IN SQUARE BRACKETS ARE IN INCHES
 DIMENSIONS IN ROUNDED SQUARE BRACKETS ARE IN INCHES
 DIMENSIONS IN TRIANGLE BRACKETS ARE IN INCHES
 DIMENSIONS IN DIAMETER SYMBOLS ARE IN INCHES
 DIMENSIONS IN DIA. SYMBOLS ARE IN INCHES
 DIMENSIONS IN DIA. SYMBOLS WITH A FOLLOWING NUMBER ARE IN INCHES
 DIMENSIONS IN DIA. SYMBOLS WITH A FOLLOWING NUMBER AND A LETTER ARE IN INCHES
 DIMENSIONS IN DIA. SYMBOLS WITH A FOLLOWING NUMBER AND A LETTER AND A NUMBER ARE IN INCHES
 DIMENSIONS IN DIA. SYMBOLS WITH A FOLLOWING NUMBER AND A LETTER AND A NUMBER AND A LETTER ARE IN INCHES
 DIMENSIONS IN DIA. SYMBOLS WITH A FOLLOWING NUMBER AND A LETTER AND A NUMBER AND A LETTER AND A NUMBER ARE IN INCHES
 DIMENSIONS IN DIA. SYMBOLS WITH A FOLLOWING NUMBER AND A LETTER AND A NUMBER AND A LETTER AND A NUMBER AND A LETTER ARE IN INCHES
 DIMENSIONS IN DIA. SYMBOLS WITH A FOLLOWING NUMBER AND A LETTER AND A NUMBER AND A LETTER AND A NUMBER AND A LETTER AND A NUMBER ARE IN INCHES
 DIMENSIONS IN DIA. SYMBOLS WITH A FOLLOWING NUMBER AND A LETTER AND A NUMBER AND A LETTER AND A NUMBER AND A LETTER AND A NUMBER AND A LETTER ARE IN INCHES
 DIMENSIONS IN DIA. SYMBOLS WITH A FOLLOWING NUMBER AND A LETTER AND A NUMBER AND A LETTER AND A NUMBER AND A LETTER AND A NUMBER AND A LETTER AND A NUMBER ARE IN INCHES
 DIMENSIONS IN DIA. SYMBOLS WITH A FOLLOWING NUMBER AND A LETTER AND A NUMBER AND A LETTER AND A NUMBER AND A LETTER AND A NUMBER AND A LETTER AND A NUMBER AND A LETTER ARE IN INCHES

NOTES: 1. MIL NOT INSERTED

2. M3 - M10 - 0.06 - 0.08 - 0.10 - 0.15 - 0.20 - 0.25 - 0.30 - 0.40 - 0.50 - 0.60 - 0.75 - 1.00 - 1.50 - 2.00 - 2.50 - 3.00 - 4.00 - 5.00 - 6.00 - 8.00 - 10.00 - 12.00 - 15.00 - 20.00 - 25.00 - 30.00 - 40.00 - 50.00 - 60.00 - 80.00 - 100.00
3. IN SOME CASES, THE LEAD LENGTH IS NOT TO EXCEED LEAD LENGTH DIM 2 - NOT TO EXCEED

STEP	E	X	Y	AXIS	STEP	TIMES
REP						

CHANGE NO. REV. F-13

PARTS LIST

LINE	ITEM	TOP DOCUMENT	PART NUMBER	MIN REV	DESCRIPTION	QTY	PER VARIATION	REFERENCE DESIGNATOR
					VARIATION REVISION LEVEL:	00		
1	1	D-MD-5015485-0-0	5015485-00		5415486 DRILL AND ETCH BOARD	1		
2	2		1000064-00		3.9MFD 10V 10% S.TANT	1		C62
3	3		1001383-00		4700.0 MMF 100V 3%200PPM MICA	1		C22
4	4		1001610-00		.01 MFD 50V +80-20% Z5U CER	10		C2-C9,C20,C21
5	5		1012784-00		.047 MFD 50V +80-20% CER	52		C1,C26-C56,C59-C61,C64,C65,C66, CONT C69-C76,C78-C83
6	6		1013466-06		100.0 MMF 50V 5% CER	1		C10
7	7		1013466-11		.22 MFD 50V +80-20% Z5U CER	8		C12-C19
8	8		1017472-00		10 MFD 35V +75-10% AL EL	4		C23-C25,C11
9	9		1100114-00		PIV= 25 IO=135 MA	6		D12-D17
10	10		1105796-00		PIV= 400 IO= 1.00A 1N4004 DO-41	2		D7,D8
11	11		1117373-01		*** THIS ITEM IS NOT USED ***	-		
12	12		1211357-00		*** THIS ITEM IS NOT USED ***	-		
13	13		1211358-00		*** THIS ITEM IS NOT USED ***	-		
14	14		1214460-01		*** THIS ITEM IS NOT USED ***	-		
15	15		1215006-03		SKT,IC 18PIN DIP TIN SOLD	1		XE92
16	16		1215006-04		*** THIS ITEM IS NOT USED ***	-		
17	17		1215006-06		SKT,IC 24PIN DIP TIN SOLD	1		XE98
18	18		1215006-07		SKT,IC 28PIN DIP TIN SOLD	1		XE85
19	19		1215006-08		SKT,IC 40PIN DIP TIN SOLD	3		XE67,XE70,XE71
20	20		1215901-05		PCB,HEADER 02PIN(1X02).100CC STR	5		W13-W15,W90,W18
21	21		1215699-05		PCB,HEADER 12POS(1X13).156CC STR	1		J8
22	22		1219066-00		*** THIS ITEM IS NOT USED ***	-		
23	23		1219066-03		PCB HEADER 52PIN(2X26).100CC STR	1		J6
24	24		1219606-02		SKT,IC 28PIN	2		XE89,XE90
25	25		1219678-04		SKT,IC 28PIN	1		XE91
26	26		1300271-00		220.0 .25 W 5.0 % CF	1		R34
27	27		1300295-00		330.0 .25 W 5.0 % CF	25		R3,R4,R10,R11,R16,R64,R65,R18, CONT R50,R51,R70,R113-R115,R2,R76, CONT R90,R91,R71-R74,R82-R84

REVISION HISTORY			BASIC PART NO: 5415486								
ENG	ECO NUMBER	REV	SECTION A OF A	DRN:	WALT SUPINSKI	DATE:	26-MAY-82	D I G I T A L			
F.C	5415486-ML001	B	SECTION VARIATION INDEX	CHK'D:	D. BARRIERE	DATE:	10-JUL-82	TITLE PARTS LIST			
FC	5415486-ML002	C	[A] 00					PC100 MOTHER BOARD			
FC	5415486-ML003	D	[B]	DES.ENG:	BOB MCNAMARA	DATE:	19-JUL-82	DOCUMENT NUMBER			
FC	5415486-ML004	E	[C]					SIZE	CODE	NUMBER	REV
FC	5415486-ML007	F	[D]	RESP.ENG.:	FRED CHALOUX	DATE:	19-JUL-82	K	PL	5415486-0-DBP	J
DK	5415486-ML008	H	[E]					RELEASE DATE: 23-JAN-85			
D.K	5415486-ML009	J	[F]	MFG.ENG.:	ED TOMPKINS	DATE:	19-JUL-82				
			[H]	ASSEMBLY NUMBER:		TOP DOCUMENT NUMBER:		FILE NAME:		EDIT #	
			[J]	E-UA-5415486-0-0		#B-DD-5415486-0		Z4377J.PLS		77	
			[K]								
			[L]								
			[M]								
			[N]								

"THIS DRAWING AND THE SPECIFICATIONS CONTAINED HEREIN ARE CONFIDENTIAL AND PROPRIETARY. THEY ARE THE PROPERTY OF DIGITAL EQUIPMENT CORPORATION AND SHALL NOT BE REPRODUCED OR COPIED OR USED IN WHOLE OR IN PART AS THE BASIS FOR THE MANUFACTURE OR SALE OF ITEMS WITHOUT WRITTEN PERMISSION. THIS IS AN UNPUBLISHED WORK PROTECTED UNDER THE FEDERAL COPYRIGHT LAWS."

LINE	ITEM	TOP DOCUMENT	PART NUMBER	MIN REV	DESCRIPTION	VARIATION REVISION LEVEL:	QTY PER VARIATION	REFERENCE DESIGNATOR
							00	
28	28		1300316-00		470.0	.25 W 5.0 % CF	2	R66,R67
29	29		1300417-00		*** THIS ITEM IS NOT USED ***			-
30	30		1300447-00		4.70 K	.25 W 5.0 % CF	25	R1,R6-R9,R92,R25,R15,R13,R89, CONT R27-R30,R38,R39,R75,R77,R78,R81, CONT R86,R87,R122,R123,R124 R102,R117,R116,R118,R127 R53-R61,R63 R5,R94,R40,R88 R62 R35,R37 R31,R32 R119 R98 R33 R100,R101,R105-R112,R99
31	31		1300479-00		10.0 K	.25 W 5.0 % CF	5	R85
32	32		1301317-00		10.0	.25 W 5.0 % CF	10	R69
33	33		1301424-00		680.0	.25 W 5.0 % CF	4	R14,R52,R68
34	34		1301969-00		22.0	.25 W 5.0 % CF	1	Q1
35	35		1302379-00		75.0	.25 W 5.0 % CF	2	L3-L7
36	36		1303178-00		620.0	.25 W 5.0 % CF	2	Y1
37	37		1309595-00		1.0 M	.25 W 5.0 % CF	1	E13
38	38		1312930-00		5.10 K	.25 W 5.0 % CF	1	E14,E95
39	39		1313580-00		360.0	.25 W 5.0 % CF	1	E94
40	40		1313597-00		23.70 K	.25 W 1.0 % RN55D-F10	11	E51
41	41		1316334-02		R NETWORK	9-10K 2.0 % 10PIN	1	E7,E9,E23,E24,E30,E10
42	42		1316395-00		R NETWORK	9-4.7K 2.0 % 10PIN	1	E62,E40
43	43		1316395-02		R NETWORK	9-1.0K 2.0 % 10PIN	3	E12,E29
44	44		1510706-00		XA 55	PNP 500MW SI 60 50 P	1	E61
45	45		1618238-02		BEAD,FERRITE	.1380DX.330LG	5	E64
46	46		1814830-00		OSCILLATOR, XTAL	24.073 MHZ	1	Q2
47	47		1910532-00		74S00	NAND GATE-QUAD 2IN	1	E84
48	48		1910533-00		74S03	NAND GATE-QUAD 2IN,0	2	E83
49	49		1910535-00		74S05	INVERTER GATE-HEX 1	1	E88
50	50		1910536-00		74S10	NAND GATE-TRIPLE 3IN	1	E50,E68,E79
51	51		1910544-00		74S74	FF-D DUAL,EDGE TRIGG	6	E109
52	52		1910548-00		74S157	MUX 1 OF 2 (QUAD)	2	E38,E32,E48,E36,E2
53	53		1910957-00		74S175	FF-D QUAD COMMON CLO	2	E37
54	54		1911675-00		74S138	DECODER/DEMUX 3-8 LI	1	E22,E25,E44,E82,E45
55	55		1912389-00		74S08	AND GATE-QUAD 2IN,PO	1	E39
56	56		1912536-01		7805	VOLT REG,FIX +5V	1	E73,E104,E49,E47,E58,E46
57	57		1912697-00		LS174	FF-D HEX W/CLEAR	1	E35,E63
58	58		1912799-00		LS00	NAND-GATE-QUAD 2IN,P	1	E31
59	59		1912801-00		LS02	NOR-GATE-QUAD 2IN	1	E80,E127,E126,E113,E33,E55,E56
60	60		1912803-00		LS04	INVERTER GATE,HEX	3	E6,E27
61	61		1912815-00		LS30	NAND GATE-SINGLE 8IN	1	E5,E28
62	62		1912816-00		LS32	OR GATE-QUAD 2IN,POS	5	E107,E108,E110
63	63		1912820-00		LS51	A-0-I GATE 2-WIDE 2I	1	E60,E74,E75,E114
64	64		1912824-00		LS74	FF-D DUAL,EDGE TRIGG	5	
65	65		1912829-00		LS86	X-OR GATE-QUAD 2IN	1	
66	66		1912842-00		LS138	DECODER-THREE INPUT,	6	
67	67		1912843-00		LS139	DECODER, 2 OF 4(DUAL)	2	
68	68		1912844-00		LS151	MUX 1 OF 8 & DATA	1	
69	69		1912847-00		LS157	MUX 1 OF 2(QUAD)	7	
70	70		1912849-00		LS161	COUNTER,SYNCHR,4BIT	2	
71	71		1912853-00		LS175	FF-D QUAD	2	
72	72		1912854-00		LS193	COUNTER,SYNCHR,4BIT,	3	
73	73		1912859-00		LS258	MUX 1 OF 2 (DUAL),	4	

D	I	G	I	T	A	L	TITLE	PC100 MOTHER BOARD	SECTION A	OF A	SIZE	CODE	DOCUMENT NUMBER	REV
											K	PL	5415486-0-DBP	J

LINE	ITEM	TOP DOCUMENT	PART NUMBER	MIN REV	DESCRIPTION	QTY	PER VARIATION	REFERENCE DESIGNATOR
						00		
74	74		1912863-00		LS273 FF-D OCTAL W/CLEAR	6		E99,E111,E42,E43,E52,E26
75	75		1914084-00		74S299 SHIFT REG.,8BIT RIGH	1		E97
76	76		1914214-00		LS374 FF-D OCTAL EDGE TRIG	2		E96,E112
77	77		1914423-01		CUSTOM LSI-BIPOLAR LS	1		E85
78	78		1914424-01		CUSTOM LSI-BIPOLAR L	1		E81
79	79		1914451-00		LS393 COUNTER,BINARY,4BIT	4		E3,E4,E15,E128
80	80		1915123-02	***	THIS ITEM IS NOT USED ***	-		
81	81		1915193-00		LS244 DRIVER,LINE,OCTAL,TR	7		E53,E59,E66,E72,E115,E86,E54
82	82		1915218-00		LS245 TRANSCEIVER,BUS,OCTA	5		E65,E106,E105,E120,E125
83	83		1915219-00		LS373 FF-D OCTAL-TRANSPARE	3		E76,E78,E93
84	84		1915415-00		9636 DRIVER,DUAL,EIA RS-	4		E17,E20,E16,E19
85	85		1916028-01		9643 DRIVER,TTL TO MOS,D	1		E69
86	86		1919018-00		LS148 PRIORITY ENCODER,8 T	1		E77
87	87		1920460-01		LS12 NAND GATE 3-IN	2		E57,E1
88	88		2112623-03		DUAL BAUD RATE GEN/PROG DIVIDER	1		E41
89	89		2113107-01	P	8251A PUSART COMM. INTERFA	1		E87
90	90		2113628-00		4050B BUFFER/CONVERTER GAT	1		E8
91	91		2114212-00	P	2114-2 RAM,1024X4,STATIC	3		E100-E102
92	92		2117872-01		RAM 2KX8 I/O MUXD 20	5		E121-E124,E103
93	93	SEE NOTE 134, 135	2118467-01	***	THIS ITEM IS NOT USED ***	-		
94	94		2118470-01		4864-1 MOS RAM 64K X1,200	8		E116-E119,E129-E132
95	95		2118472-01	***	THIS ITEM IS NOT USED ***	-		
96	96		2118856-00		CONTROLLER,MULTI-PROTOCOL SERIAL	1		E71
97	97		2119148-00		Z80A MICROPROCESSOR 40PIN	1		E67
98	98		2119533-01		8088 MICROPROCESSOR 5MHZ	1		E70
99	99		2120263-01		2212 RAM 256X4 NON-VOLATI	1		E92
100	100		23020E3-00	E3-03		1		E98
101	101		23090B1-00	B1-03		1		E11
102	102		23090E4-00	***	THIS ITEM IS NOT USED ***	-		
103	103		23091E4-00	***	THIS ITEM IS NOT USED ***	-		
104	104		23092E4-00	***	THIS ITEM IS NOT USED ***	-		
105	105		7426678-01	***	THIS ITEM IS NOT USED ***	-		
106	106		7426682-01	***	THIS ITEM IS NOT USED ***	-		
107	107		7426852-01	***	THIS ITEM IS NOT USED ***	-		
108	108		7427174-C1	***	THIS ITEM IS NOT USED ***	-		
109	109		9000037-03	***	THIS ITEM IS NOT USED ***	-		
110	110		9006020-01	***	THIS ITEM IS NOT USED ***	-		
111	111		9006655-00	***	THIS ITEM IS NOT USED ***	-		
112	112		9007649-00	***	THIS ITEM IS NOT USED ***	-		
113	113		9007883-00	***	THIS ITEM IS NOT USED ***	-		
114	114		9008212-00	***	THIS ITEM IS NOT USED ***	-		
115	115		9008451-01	***	THIS ITEM IS NOT USED ***	-		
116	116		9009185-00		JUMPER, WIRE, INSULATED, BLACK B	1		W17
117	117		9009800-07	***	THIS ITEM IS NOT USED ***	-		
118	118		1219678-05	***	THIS ITEM IS NOT USED ***	-		
119	119		1220365-02		CONN,D SUB 15PIN ASSY 90D	1		J3
120	120		1220365-03		CONN,D SUB 25PIN ASSY 90D	1		J1
121	121		1618437-00		BEAD,FERRITE .23600X.394LG	1		L1

D	I	G	I	T	A	L	TITLE	PC100 MOTHER BOARD	SECTION A	OF A	SIZE	CODE	DOCUMENT NUMBER	REV
											K	PL	5415486-0-DBP	J

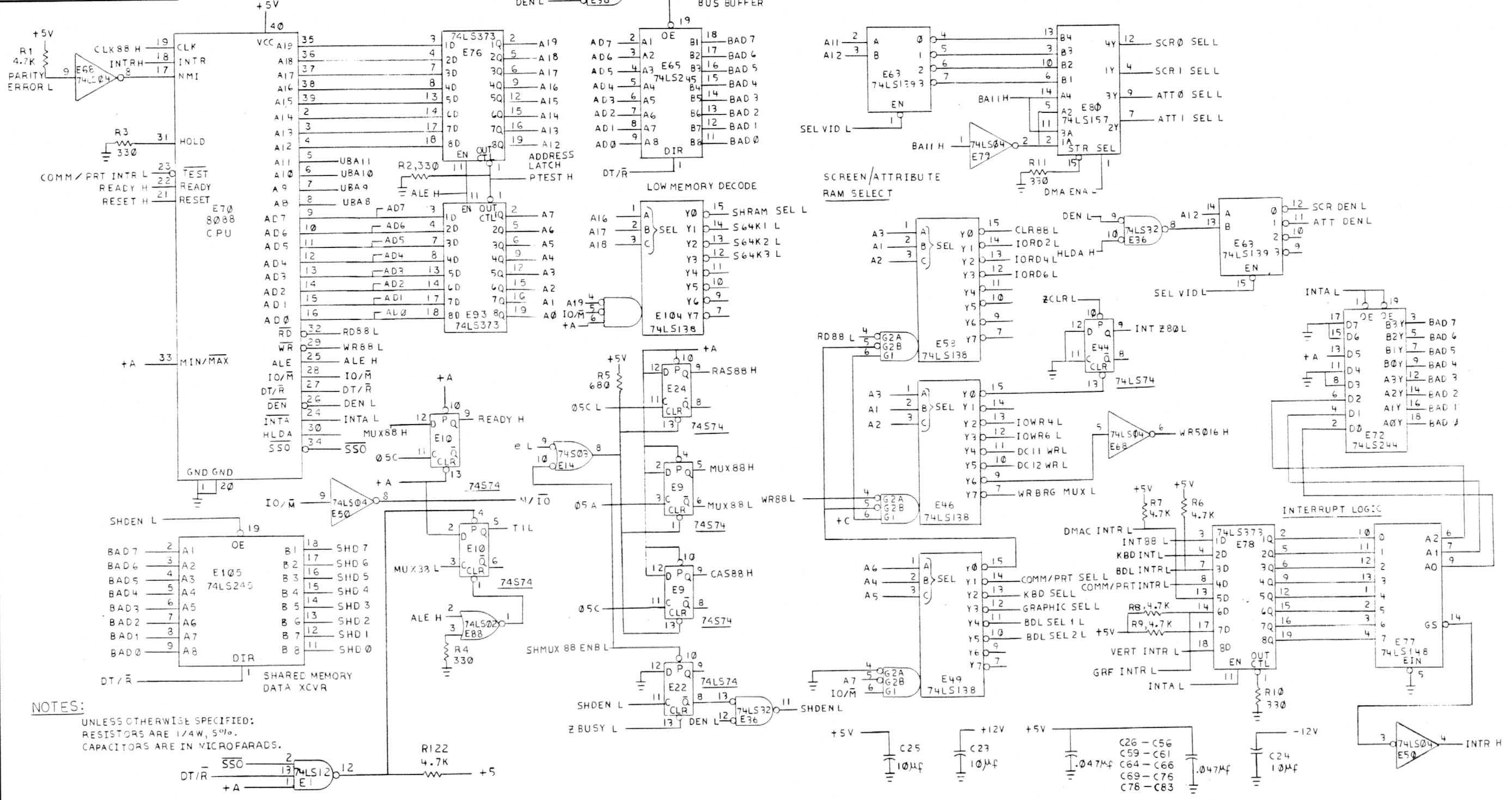
PARTS LIST

LINE	ITEM	TOP DOCUMENT	PART NUMBER	MIN REV	DESCRIPTION	VARIATION REVISION LEVEL:	QTY PER VARIATION	REFERENCE DESIGNATOR
							00	
122	122		9107560-01		WIRE,BUSS 22AWG	TIN BARE	A/R	
123	123		9105740-55		WIRE(WRAP)	30AWG KYNAR UL14	A/R	
124	124		1300365-00		1.0 K	.25 W 5.0 % CF	2	R79,R80
125	125		1915123-03		26LS32-3 RECEIVER,LINE	RS232	3	E18,E21,E34
126	126		1302466-00		100.0 K	.25 W 5.0 % CF	4	R97,R120,R103,R104
127	127		1013466-12		2200.0 MMF	50V 10% X7R CER	1	C63
128	128		9107256-00		*** THIS ITEM IS NOT USED ***			-
129	129	C-IA-7020274-0-0	7020274-15		COUNTRY ROM & CARRIER	USA	1	E91
130	130		1220399-04		CONN,D SUB 25SKT ASSY	RT ANGLE	1	J2
131	131		9006732-00		EYELET,ROLLED	0.1210DX0.219	6	
132	132		23176E4-00		E4-06		1	E89
133	133		23177E4-00		E4-06		1	E90
134	134		1120306-02		LED,RED	7 GANGED	1	D3-D6,D9-D11
135	135		1219066-08		PCB HEADER	40PIN(2X20).100CC STR	4	J4,J5,J7,J9

136 NOTE: P/N 21-18472-01 IS AN ALT. FOR PRIME P/N 21-18470-01, MIXING OF ALT. AND PRIME PARTS NOT ALLOWED.
 137 NOTE: P/N 21-18467-01 IS AN ALT. FOR P/N 21-18470-01, MIXING OF ALT. AND PRIME PARTS NOT ALLOWED.
 138 NOTE: P/N 12-19066-00 IS AN ACCEPTABLE ALTERNATE FOR P/N 12-19066-08 AT LOCATIONS
 139 NOTE: DESIGNATED AS J5,J7 BUT NOT AT LOCATIONS DESIGNATED AS J4,J9.
 140 NOTE: P/N 21-18472-02, 21-18467-02, AND 21-18470-02 IS AN ALT. PART FOR PRIME P/N 21-118470-01. MIXING OF
 141 NOTE: PRIME & ALT PARTS ON A SINGLE BD IS NOT ALLOWED. MIXING OF ALT PARTS ON A SINGLE BD IS NOT ALLOWED.

D	I	G	I	T	A	L	TITLE	SECTION A	OF	A	SIZE	CODE	DOCUMENT NUMBER	REV
							PC100 MOTHER BOARD				K	PL	5415486-0-DBP	J

THIS DRAWING AND SPECIFICATIONS HEREIN ARE THE PROPERTY OF DIGITAL EQUIPMENT CORPORATION AND SHALL NOT BE REPRODUCED OR COPIED OR USED IN WHOLE OR IN PART AS THE BASIS FOR THE MANUFACTURE OR SALE OF ITEMS WITHOUT WRITTEN PERMISSION. COPYRIGHT © 1982 DIGITAL EQUIPMENT CORPORATION



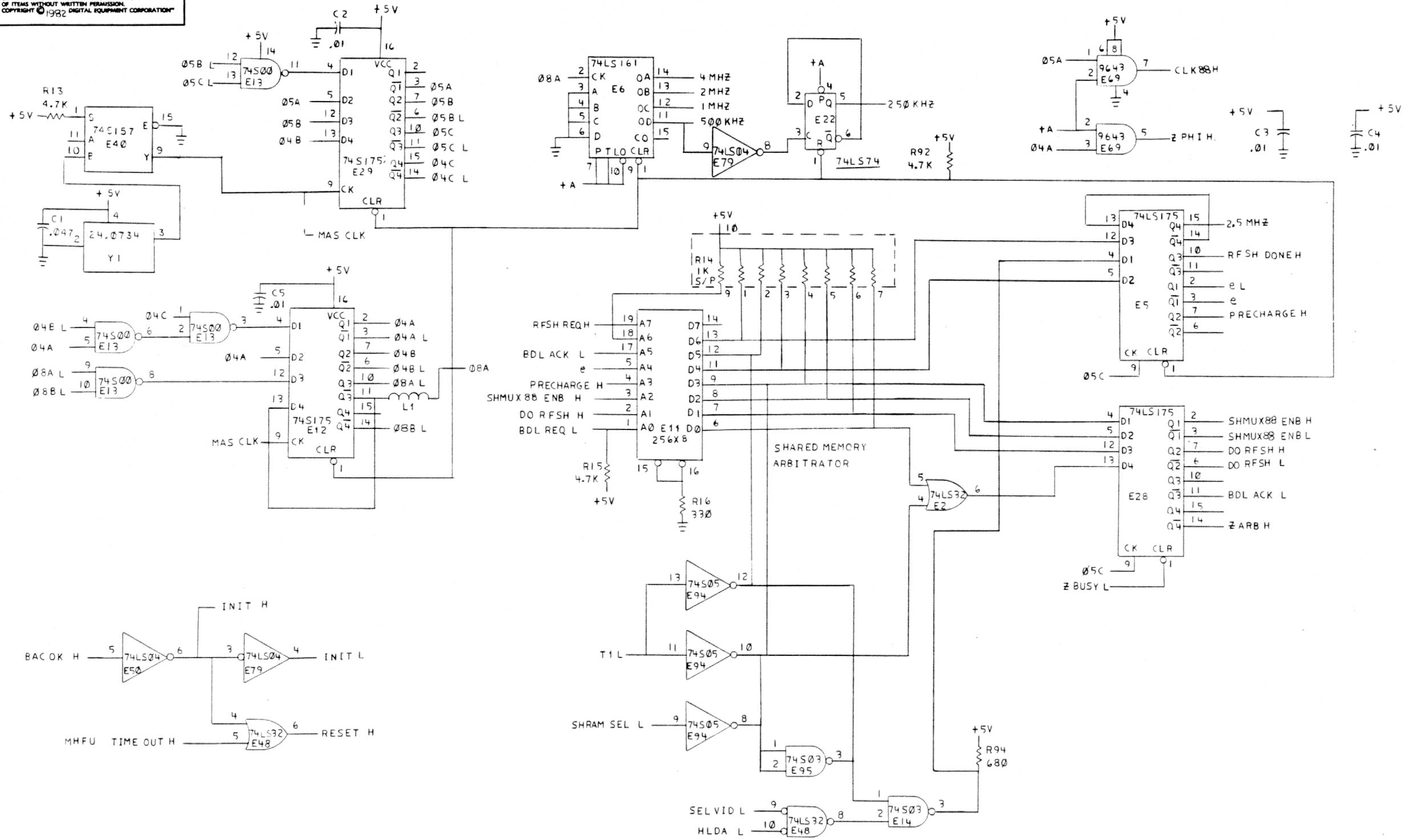
NOTES:
UNLESS OTHERWISE SPECIFIED:
RESISTORS ARE 1/4W, 5%.
CAPACITORS ARE IN MICROFARADS.

REVISION HISTORY

DATE	ECO NUMBER	REV	ORIGINATOR
12-18-82	15415486-ML002	C	FRED CHALOUX
11-8-82	15415486-ML001	E	FRED CHALOUX
10-10-83	15415486-ML004	B	FRED CHALOUX
12-14-83	15415486-ML005	D	FRED CHALOUX
11-8-82	15415486-ML000	A	FRED CHALOUX

DRN: H. Remonore	DATE: 02-JUN-82	TITLE: digital
CHKD:	DATE:	PC100 MOTHER BOARD
DES. ENCL:	DATE:	DOCUMENT NUMBER
RESP. ENCL:	DATE:	SIZE: D
MFG. ENCL:	DATE:	CODE: CS
NEXT-HIGHER DOC: D-UA-5415486-0-0	DATE:	NUMBER: 5415486-0-1
	SCALE: NONE	REV: E
		SHEET: 1 OF 13

THIS DRAWING AND SPECIFICATIONS HEREIN ARE THE PROPERTY OF DIGITAL EQUIPMENT CORPORATION AND SHALL NOT BE REPRODUCED OR COPIED OR USED IN WHOLE OR IN PART AS THE BASIS FOR THE MANUFACTURE OR SALE OF ITEMS WITHOUT WRITTEN PERMISSION. COPYRIGHT © 1982 DIGITAL EQUIPMENT CORPORATION



D
C
B
A

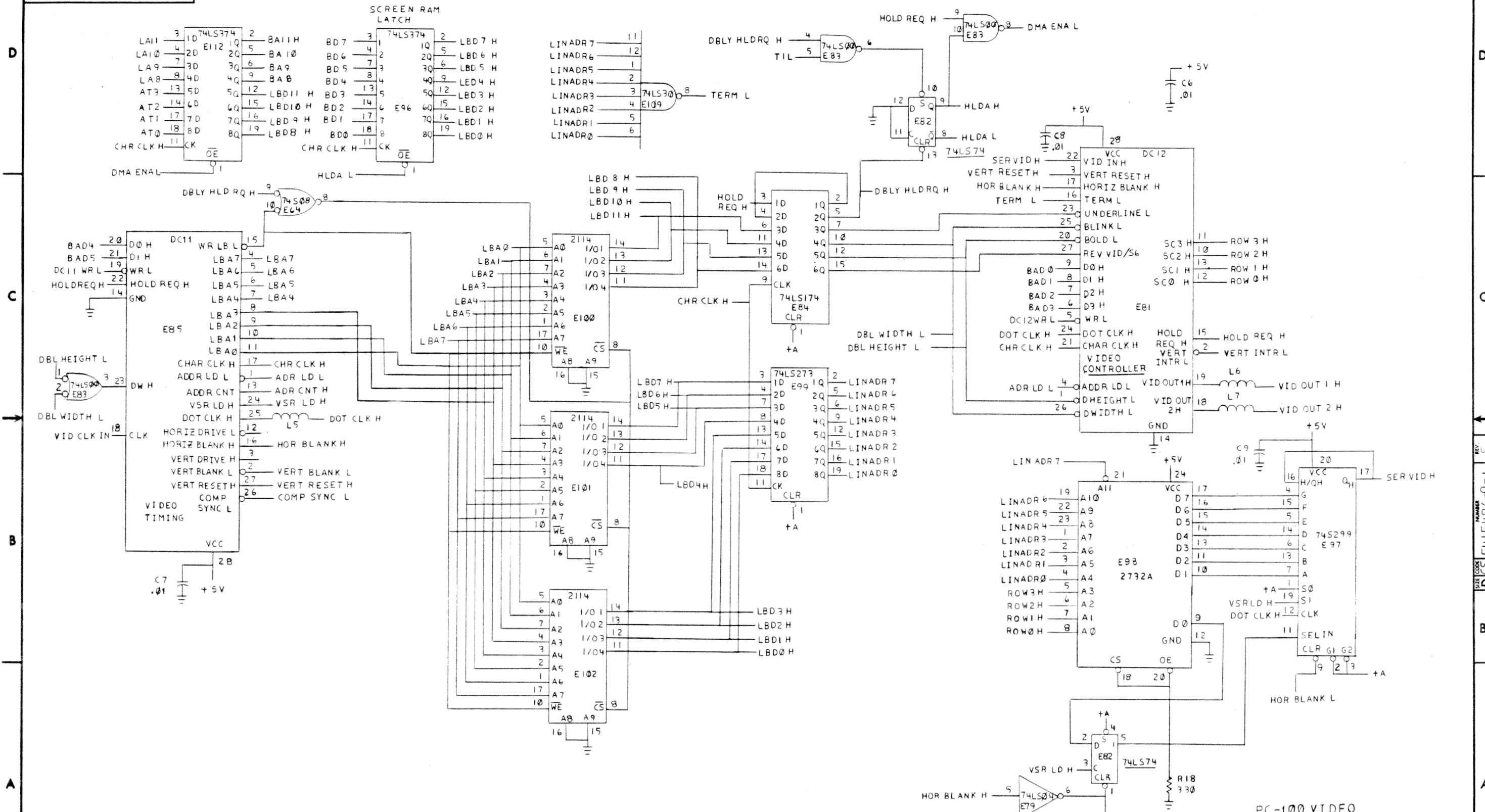
D
C
B
A

PC-100 CLOCK

REVISIONS		
CHK	CHANGE NO.	REV.

TITLE PCI00 MOTHER BOARD			SIZE CODE D	NUMBER CS 5415486-0-1	REV. E
SCALE NONE		SHEET 2 OF 13		DIST.	

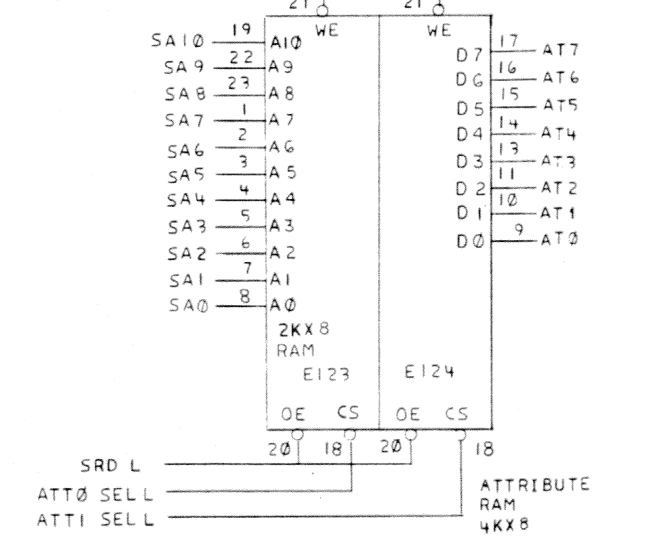
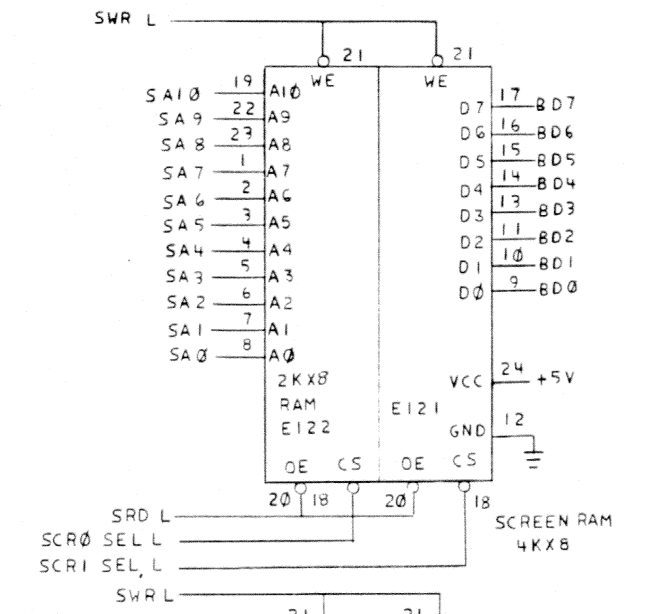
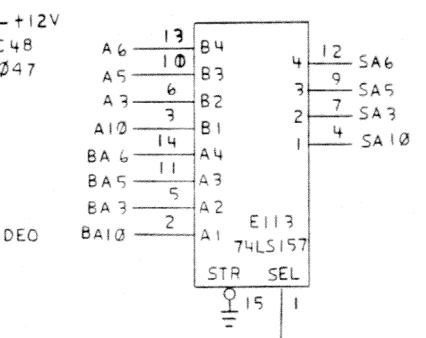
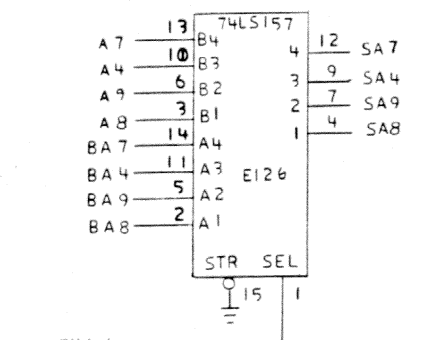
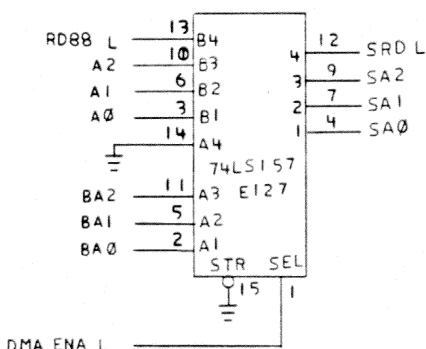
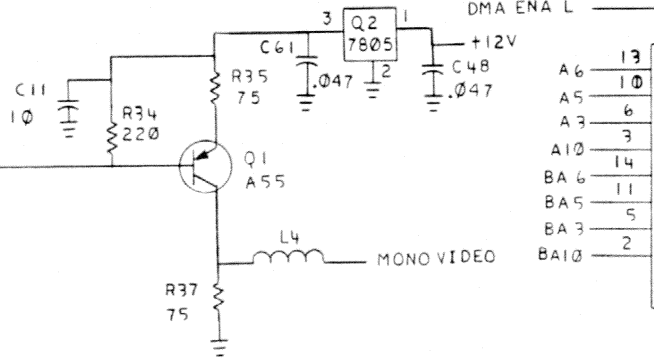
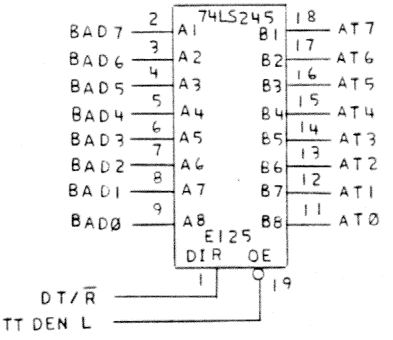
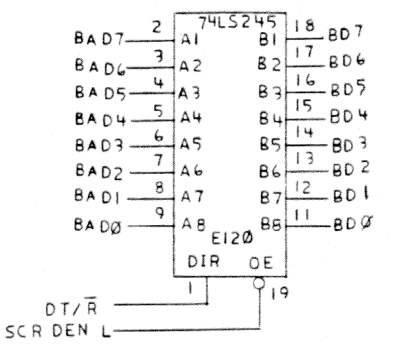
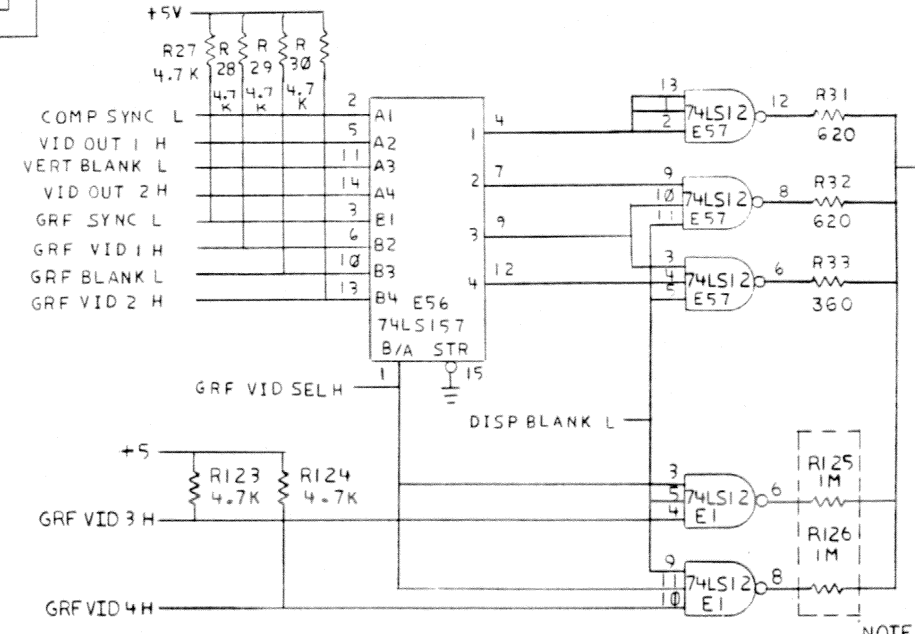
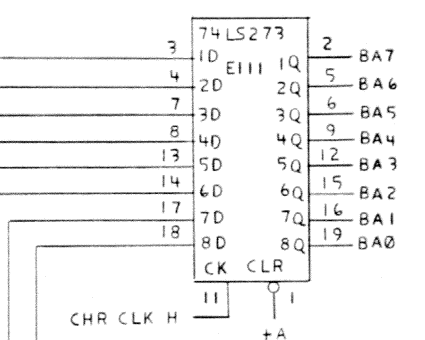
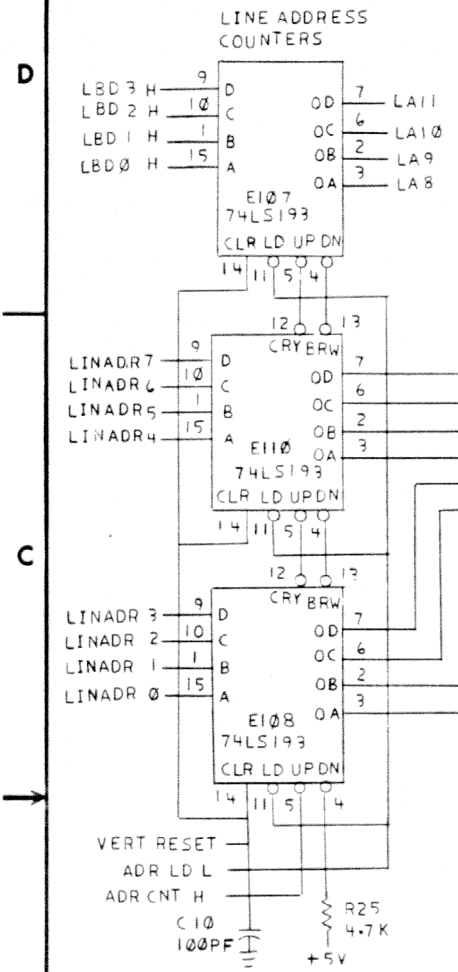
THIS DRAWING AND SPECIFICATIONS HEREIN ARE THE PROPERTY OF DIGITAL EQUIPMENT CORPORATION AND SHALL NOT BE REPRODUCED OR COPIED OR USED IN WHOLE OR IN PART AS THE BASIS FOR THE MANUFACTURE OR SALE OF ITEMS WITHOUT WRITTEN PERMISSION. COPYRIGHT © 1982 DIGITAL EQUIPMENT CORPORATION



REVISIONS		
CHK	CHANGE NO.	REV.

TITLE	PC100 MOTHER BOARD	SIZE CODE	DCS	NUMBER	5415486-0-1	REV.	E
SCALE	NONE	SHEET	3	OF	13	DIST.	

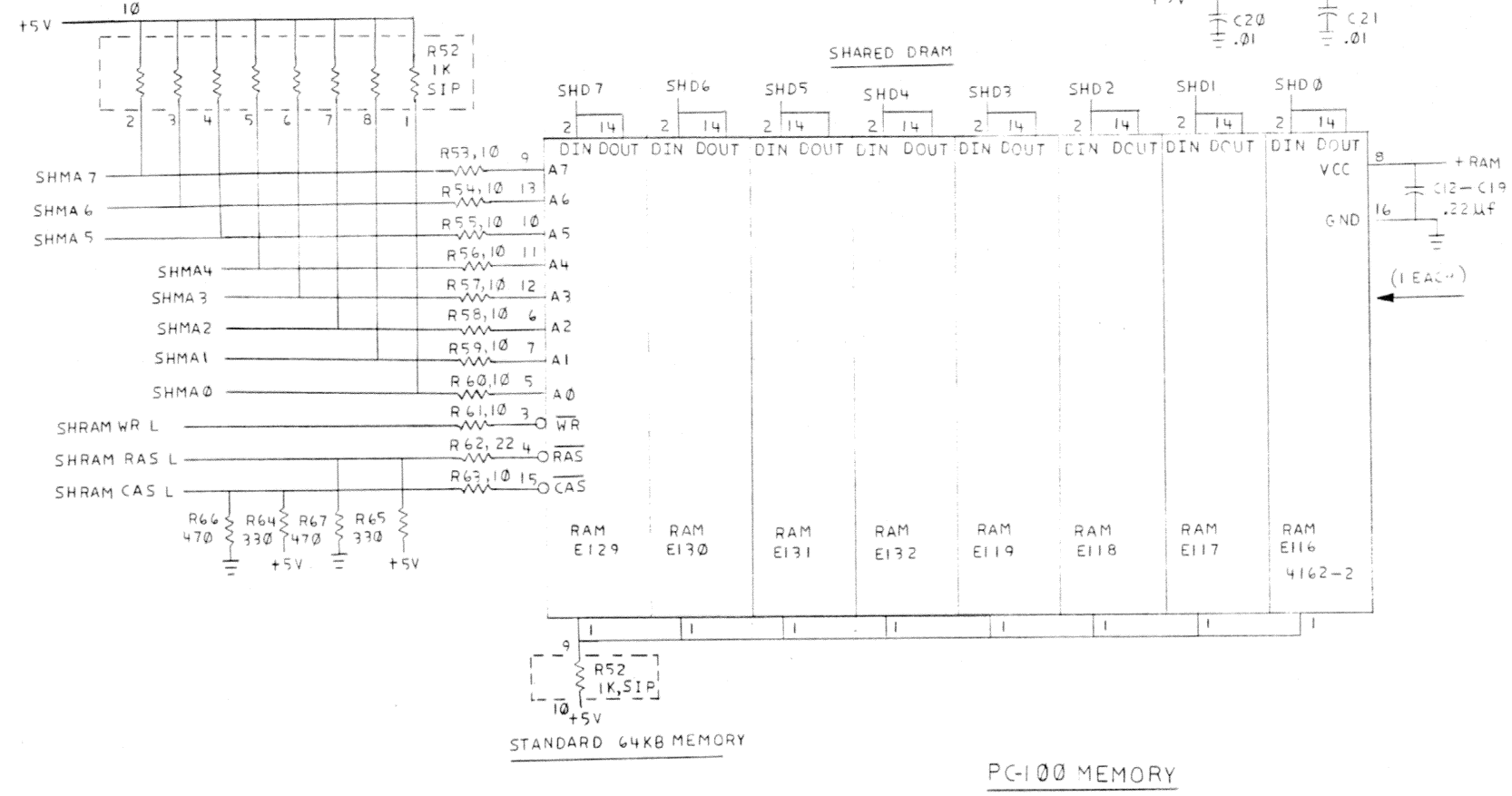
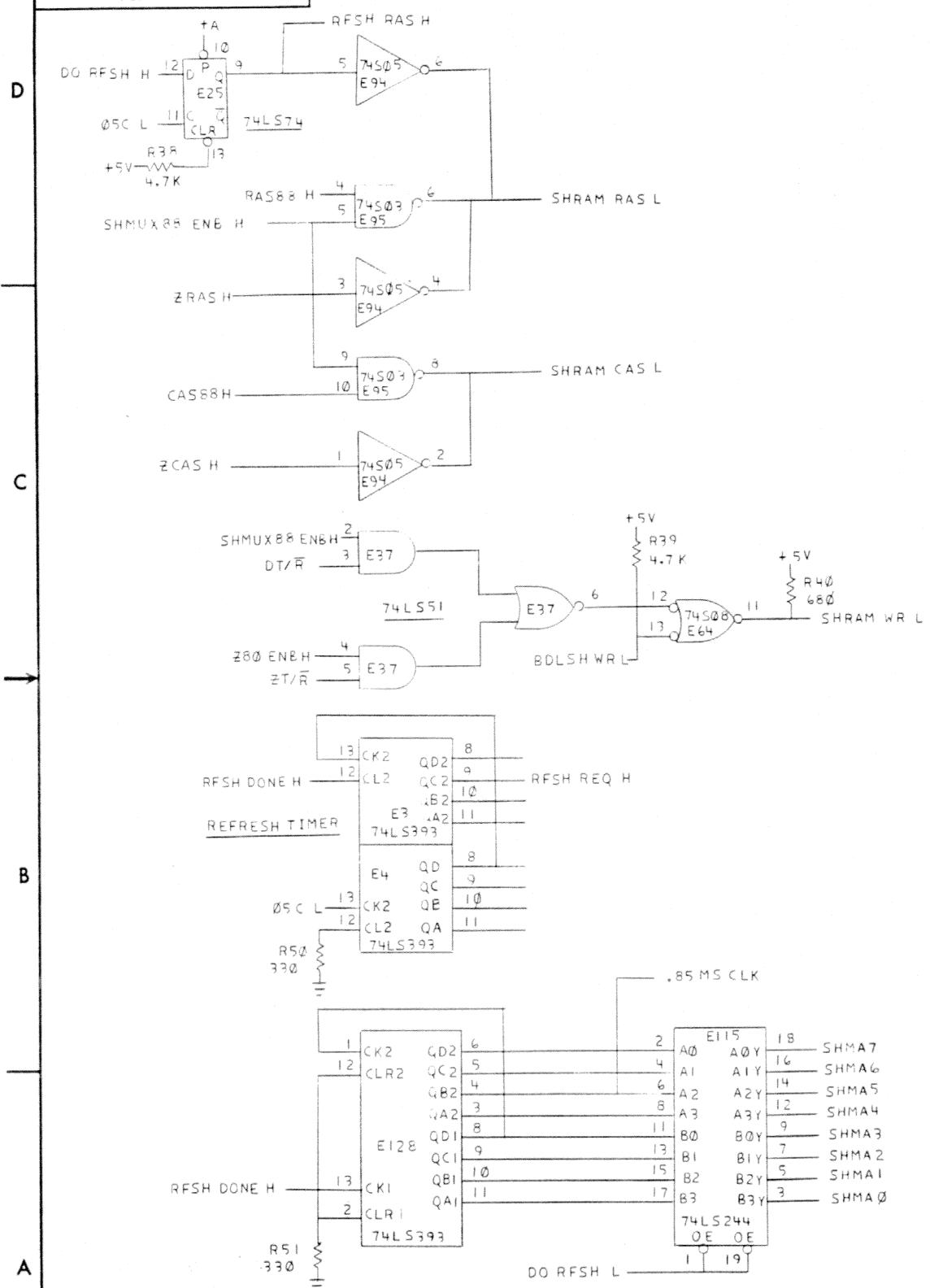
THIS DRAWING AND SPECIFICATIONS HEREIN ARE THE PROPERTY OF DIGITAL EQUIPMENT CORPORATION AND SHALL NOT BE REPRODUCED OR COPIED OR USED IN WHOLE OR IN PART AS THE BASIS FOR THE MANUFACTURE OR SALE OF ITEMS WITHOUT WRITTEN PERMISSION. COPYRIGHT © 1982 DIGITAL EQUIPMENT CORPORATION



NOTE: R125 AND R126 NOT INSTALLED

PC-100 VIDEO DMA & VIDEO MEMORY

THIS DRAWING AND SPECIFICATIONS, HEREIN, ARE THE PROPERTY OF DIGITAL EQUIPMENT CORPORATION AND SHALL NOT BE REPRODUCED OR COPIED OR USED IN WHOLE OR IN PART AS THE BASIS FOR THE MANUFACTURE OR SALE OF ITEMS WITHOUT WRITTEN PERMISSION. COPYRIGHT © 1982 DIGITAL EQUIPMENT CORPORATION

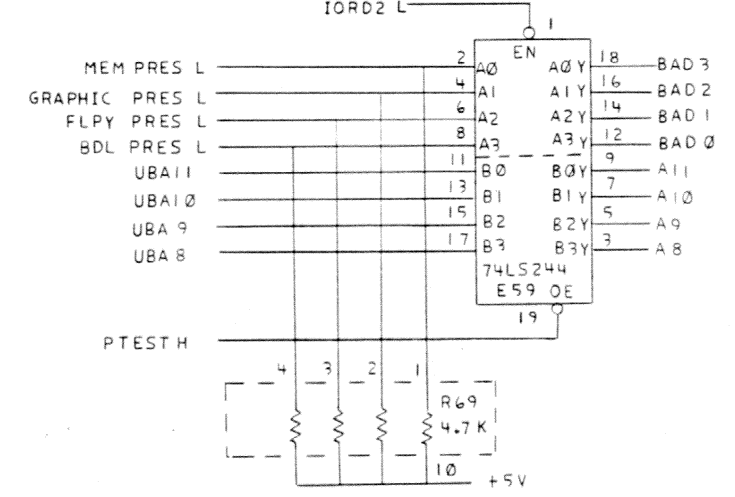
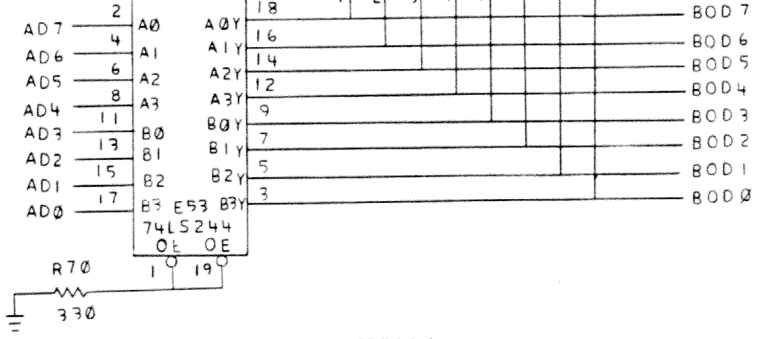
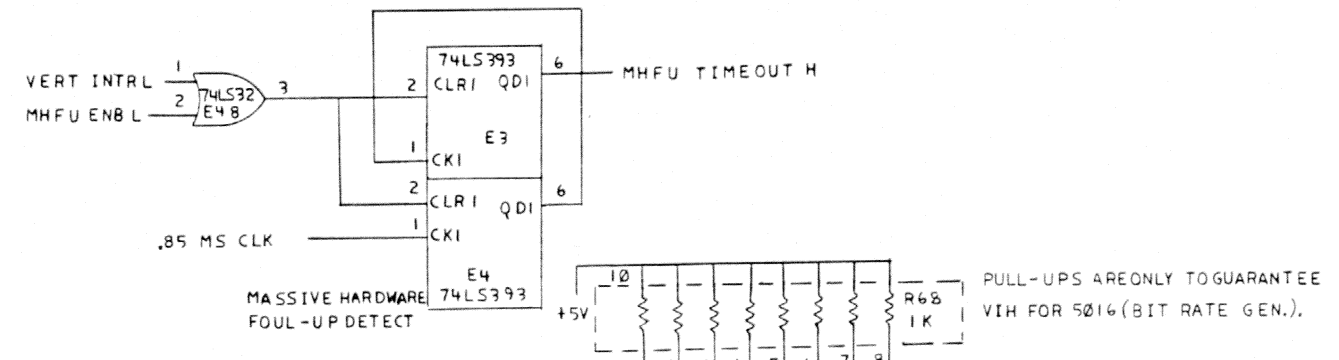
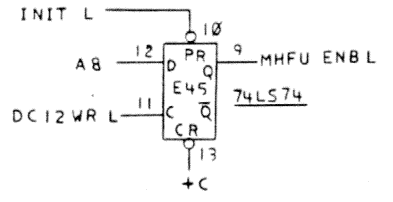
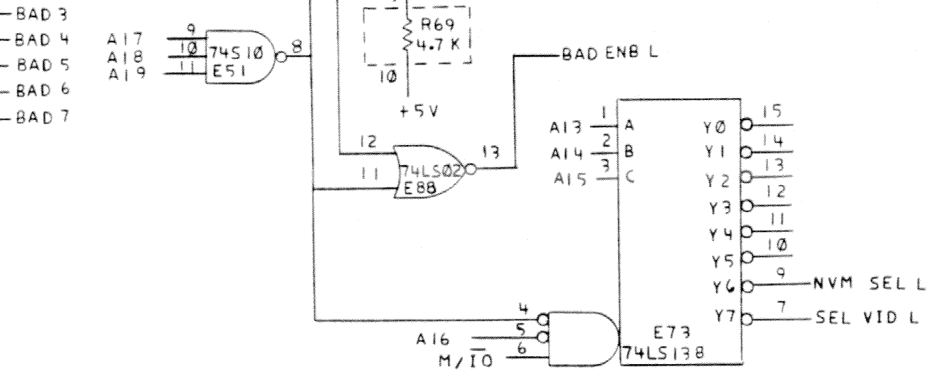
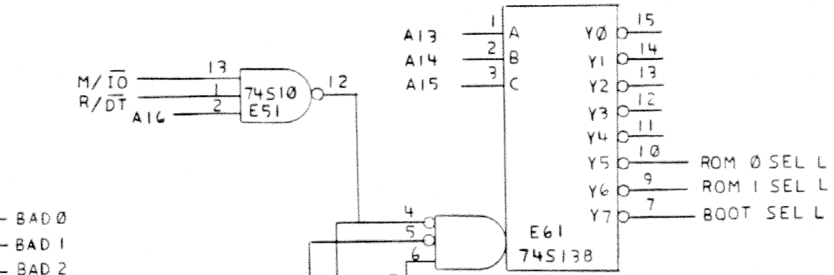
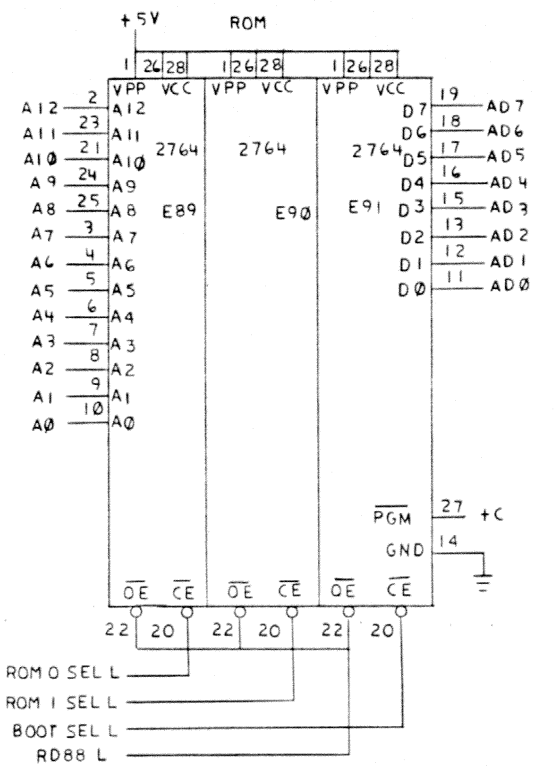
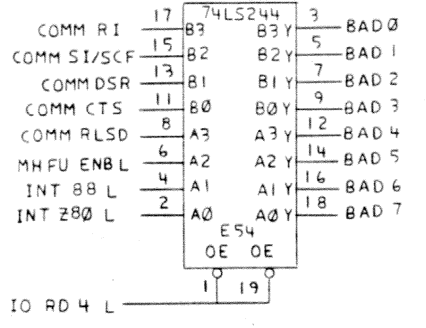
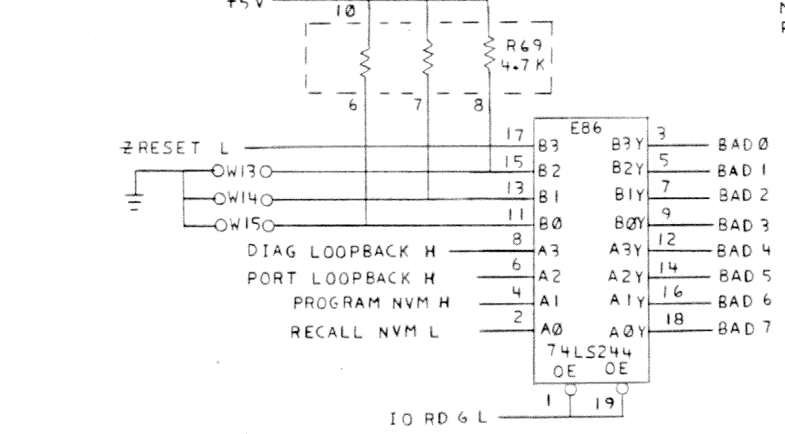
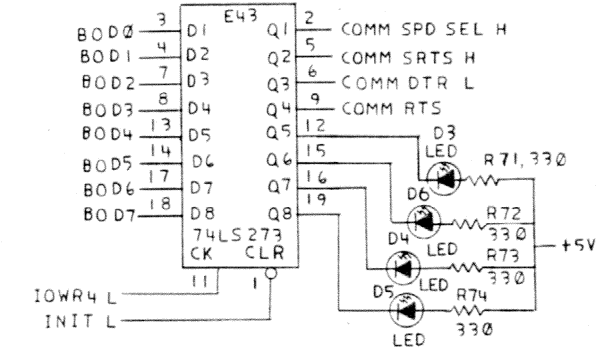
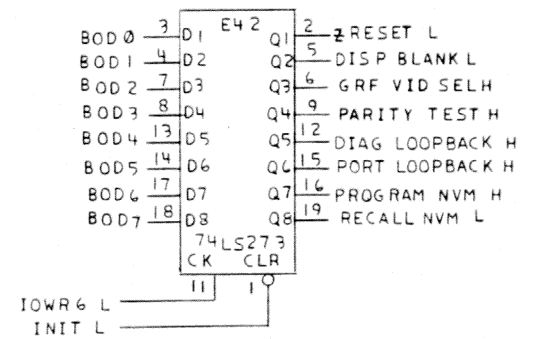


REVISIONS		
CHK	CHANGE NO.	REV.

TITLE	PC100 MOTHER BOARD	SIZE/CODE	D CS	NUMBER	5415486-0-1	REV.	E
SCALE	NONE	SHEET	5	OF	13	DIST.	

THIS DRAWING AND SPECIFICATIONS HEREIN ARE THE PROPERTY OF DIGITAL EQUIPMENT CORPORATION AND SHALL NOT BE REPRODUCED OR COPIED OR USED IN WHOLE OR IN PART AS THE BASIS FOR THE MANUFACTURE OR SALE OF ITEMS WITHOUT WRITTEN PERMISSION. COPYRIGHT © 1982 DIGITAL EQUIPMENT CORPORATION

D
C
B
A



PC-100 ROM & REG I/O

REVISIONS		
CHK	CHANGE NO.	REV.

TITLE	PC100 MOTHER BOARD	SIZE CODE	DCS	NUMBER	5415486-0-1	REV.	E
SCALE	NONE	SHEET	6 OF 13	DIST.			

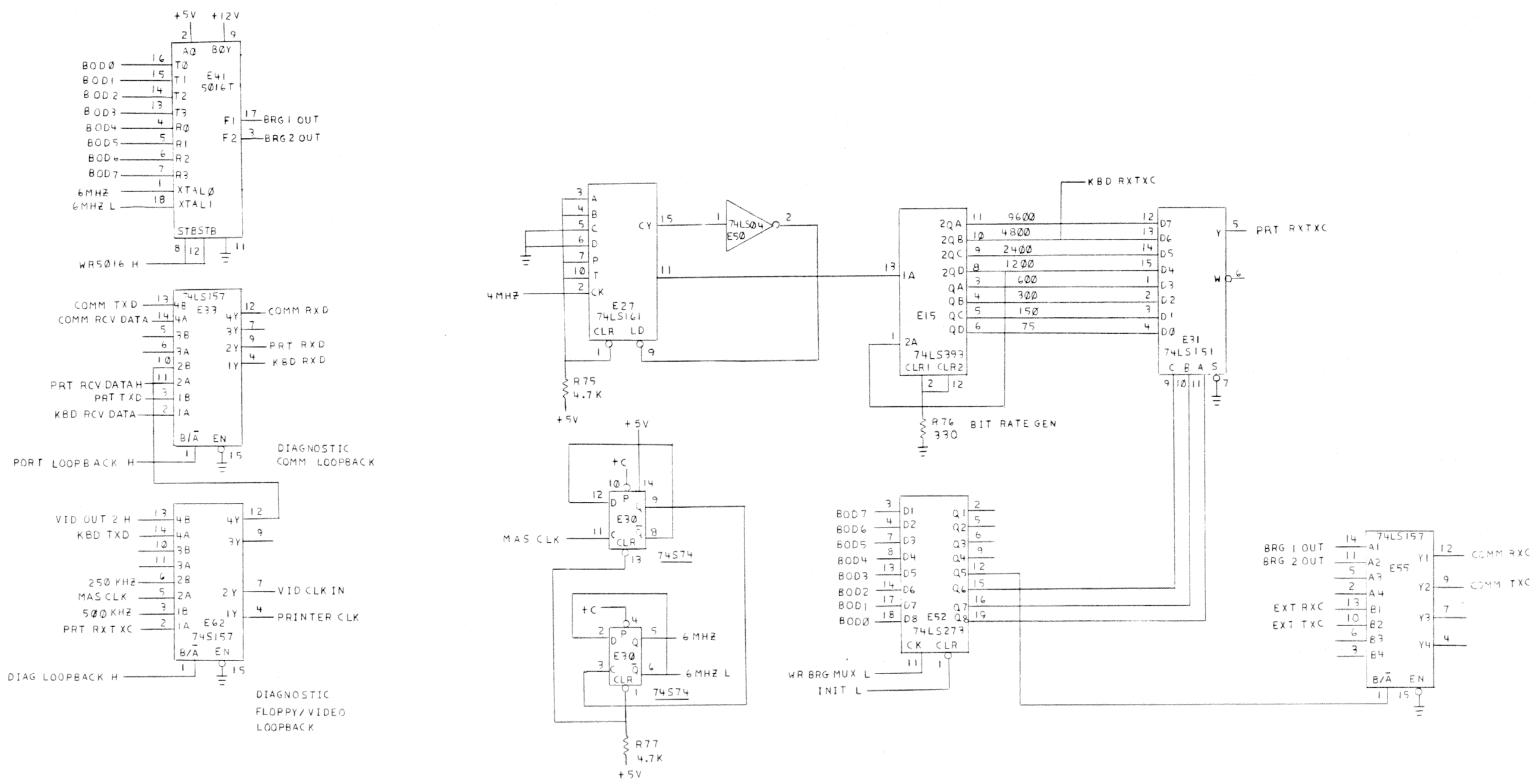
D
C
B
A

REV. E
NUMBER DCS 5415486-0-1
SIZE CODE

THIS DRAWING AND SPECIFICATIONS HEREIN ARE THE PROPERTY OF DIGITAL EQUIPMENT CORPORATION AND SHALL NOT BE REPRODUCED OR COPIED OR USED IN WHOLE OR IN PART AS THE BASIS FOR THE MANUFACTURE OR SALE OF ITEMS WITHOUT WRITTEN PERMISSION. COPYRIGHT © 1982 DIGITAL EQUIPMENT CORPORATION

D
C
B
A

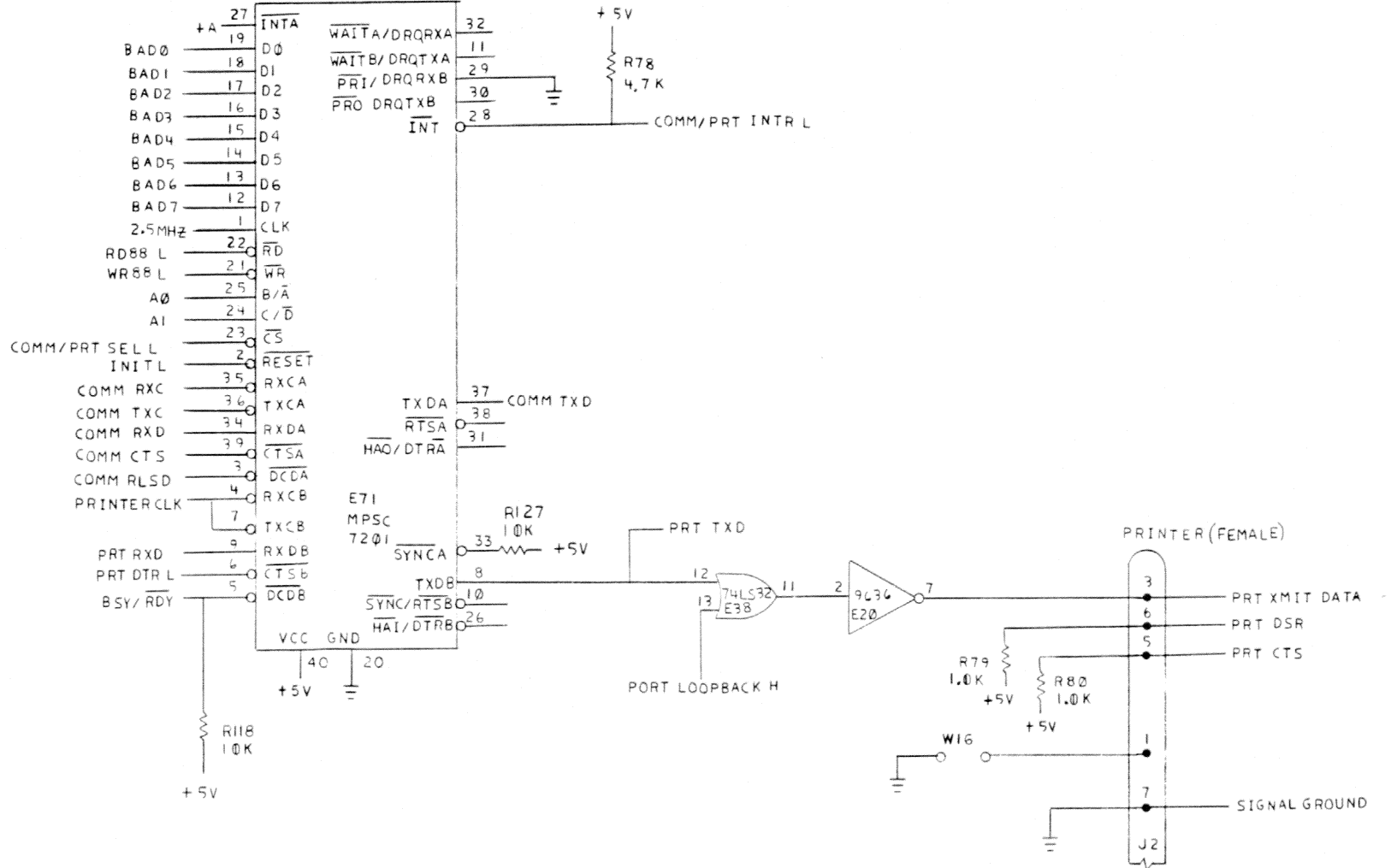
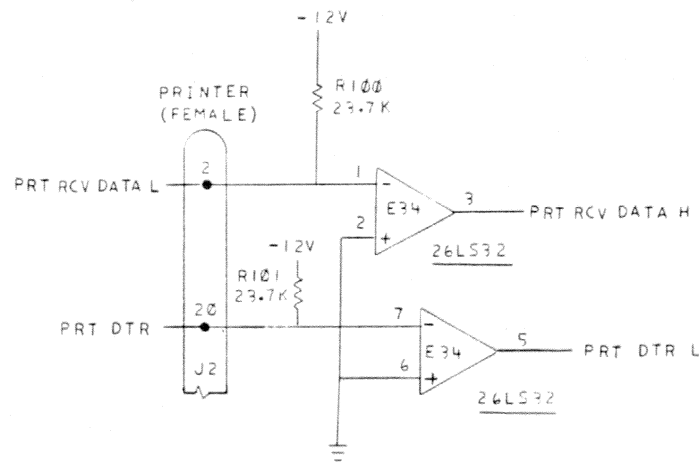
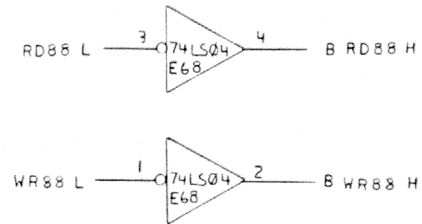
D
C
B
A



REVISIONS		
CHK	CHANGE NO.	REV.

TITLE	PC100 MOTHER BOARD	SIZE CODE	D CS	NUMBER	5415486-0-1	REV.	E
SCALE	NONE	SHEET	7	OF	13	DIST.	

"THIS DRAWING AND SPECIFICATIONS, HEREIN, ARE THE PROPERTY OF DIGITAL EQUIPMENT CORPORATION AND SHALL NOT BE REPRODUCED OR COPIED OR USED IN WHOLE OR IN PART AS THE BASIS FOR THE MANUFACTURE OR SALE OF ITEMS WITHOUT WRITTEN PERMISSION. COPYRIGHT © 1982 DIGITAL EQUIPMENT CORPORATION"

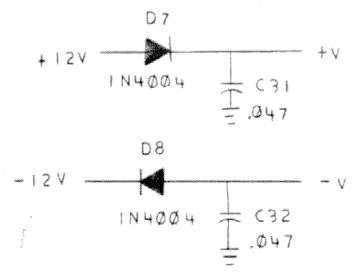
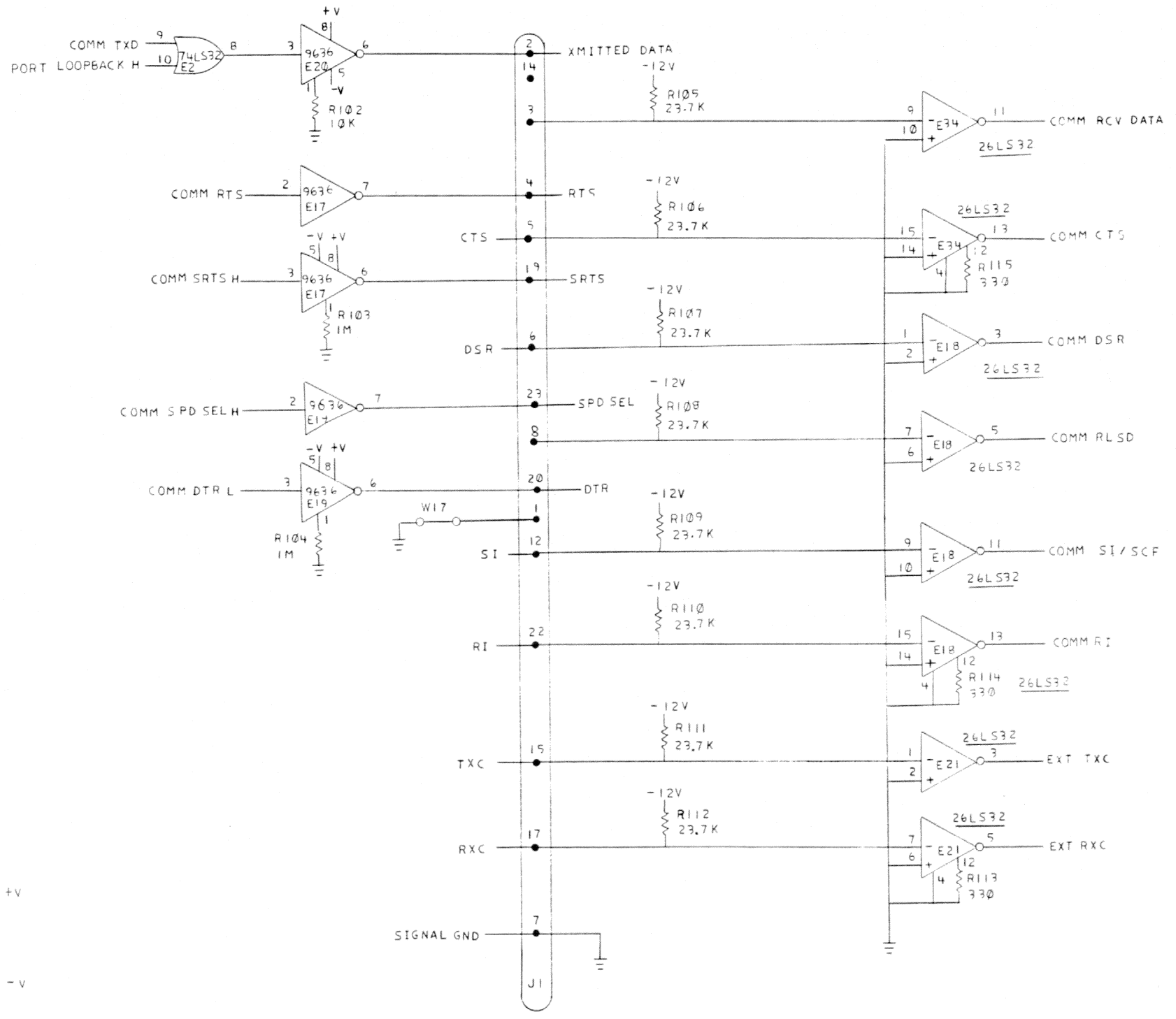


PC-100 COMM & PRINTER MPSC

REVISIONS		
CHK	CHANGE NO.	REV.

TITLE	SIZE CODE	NUMBER	REV.
PC100 MOTHER BOARD	DCS	5415486-0-1	E
SCALE NONE	SHEET 8 OF 13	DIST.	

"THIS DRAWING AND SPECIFICATIONS, HEREIN, ARE THE PROPERTY OF DIGITAL EQUIPMENT CORPORATION AND SHALL NOT BE REPRODUCED OR COPIED OR USED IN WHOLE OR IN PART AS THE BASIS FOR THE MANUFACTURE OR SALE OF ITEMS WITHOUT WRITTEN PERMISSION. COPYRIGHT © 1982 DIGITAL EQUIPMENT CORPORATION"

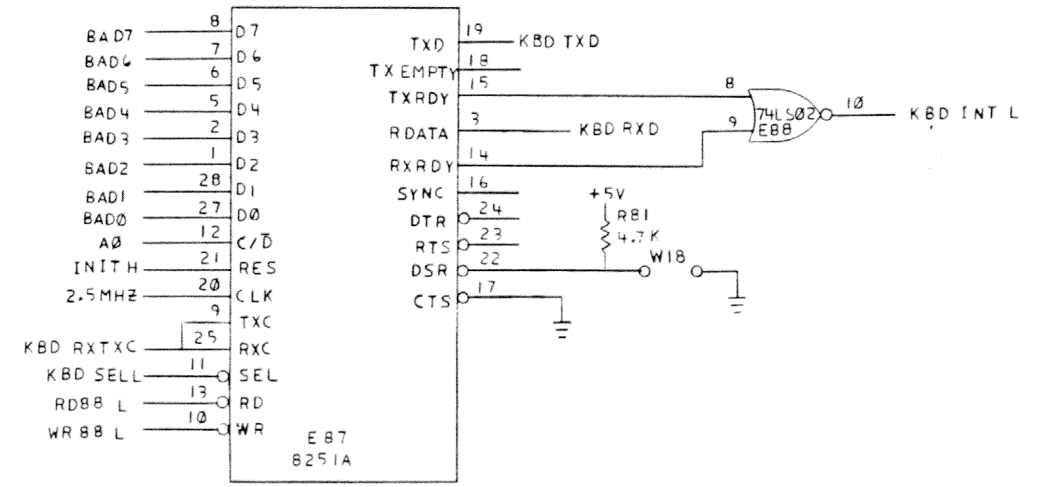
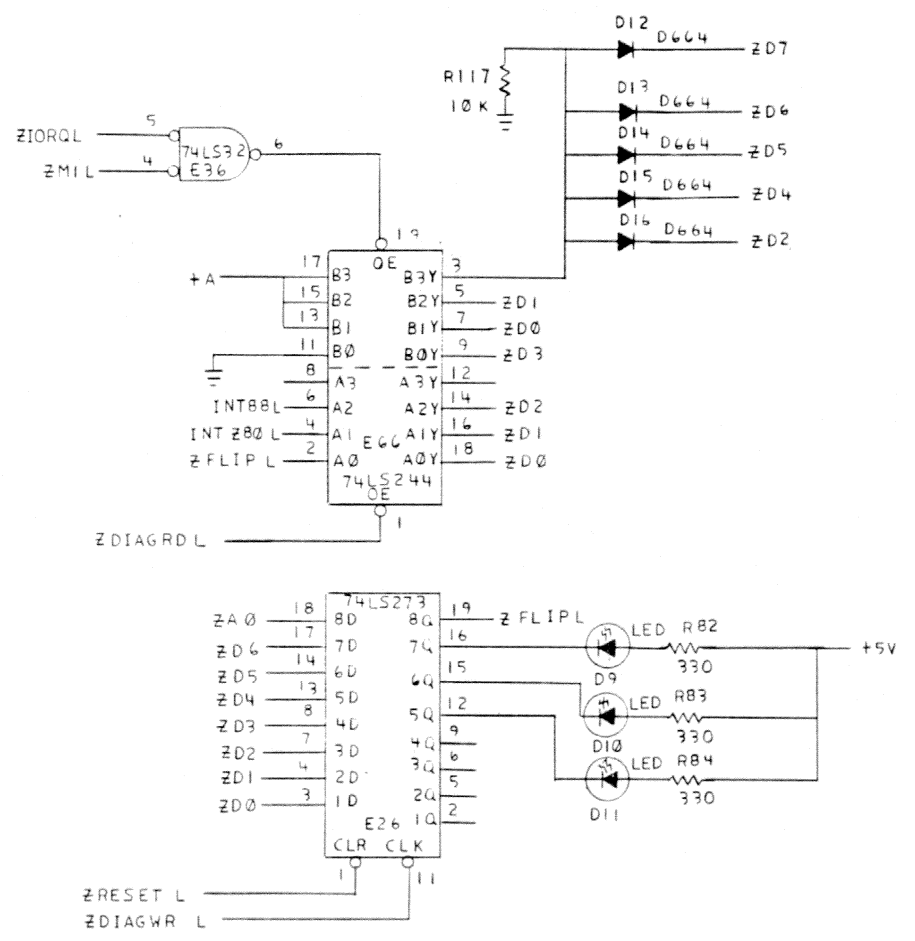


PC-100 COMM PORT

REVISIONS		
CHK	CHANGE NO.	REV.

TITLE	PC100 MOTHER BOARD	SIZE CODE	D CS	NUMBER	5415486-0-1	REV.	E
SCALE	NONE	SHEET	9	OF 13	DIST.		

THIS DRAWING AND SPECIFICATIONS HEREIN ARE THE PROPERTY OF DIGITAL EQUIPMENT CORPORATION AND SHALL NOT BE REPRODUCED OR COPIED OR USED IN WHOLE OR IN PART AS THE BASIS FOR THE MANUFACTURE OR SALE OF ITEMS WITHOUT WRITTEN PERMISSION. COPYRIGHT © 1982 DIGITAL EQUIPMENT CORPORATION



PC-100 KYBD/Z DIAGNOSTIC

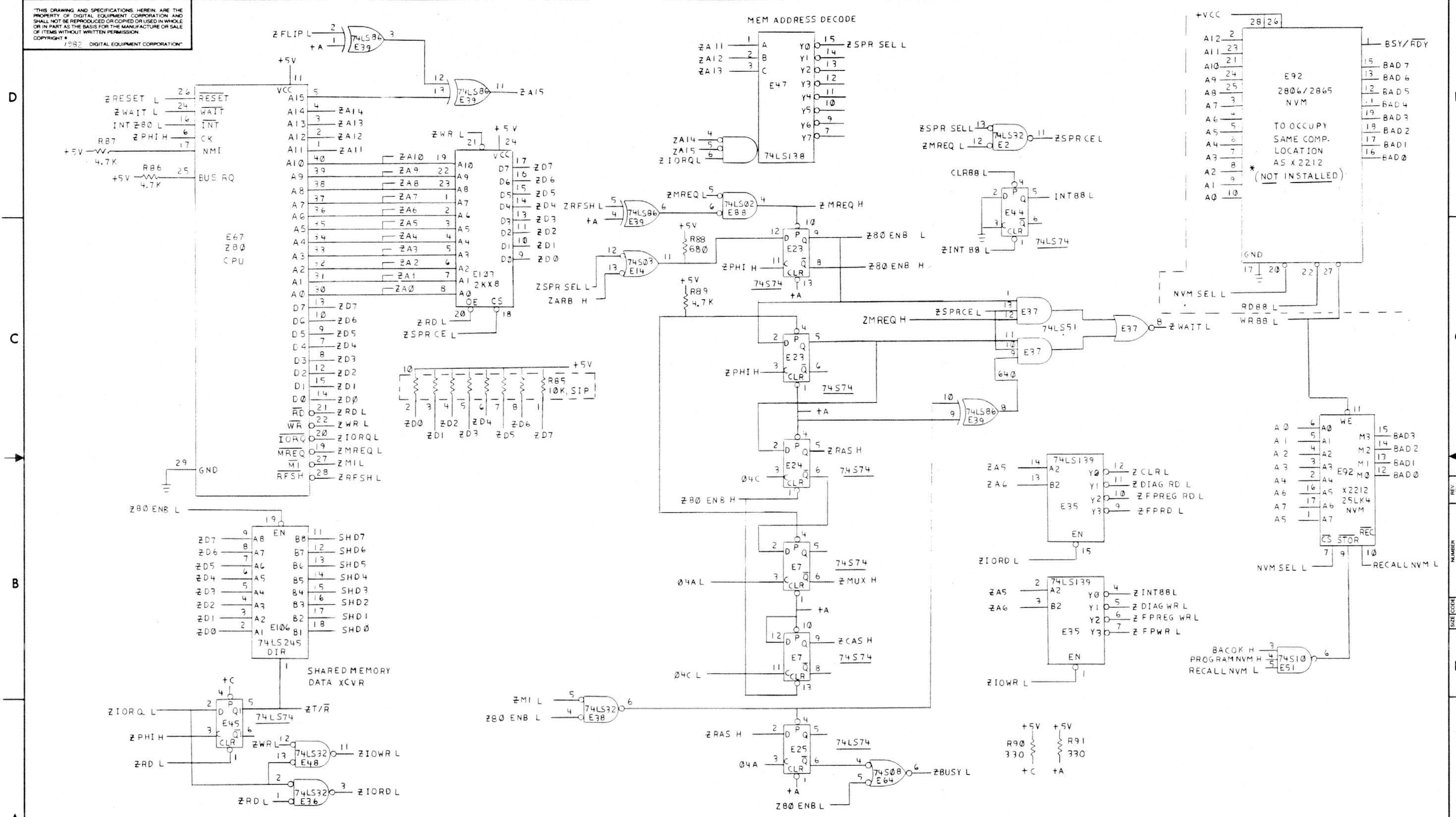
REVISION HISTORY		
DATE	ECO NUMBER	REV

TITLE
PC100 MOTHER BOARD

DOCUMENT NUMBER		
SIZE CODE	NUMBER	REV.
DCS	5415486-0-1	E
SCALE NONE	SHEET 10 OF 13	

THIS DRAWING AND SPECIFICATIONS HEREIN ARE THE PROPERTY OF DIGITAL EQUIPMENT CORPORATION AND SHALL NOT BE REPRODUCED OR COPIED OR USED IN WHOLE OR IN PART AS THE BASIS FOR THE MANUFACTURE OR SALE OF ITEMS WITHOUT WRITTEN PERMISSION.
 COPYRIGHT © 1982 DIGITAL EQUIPMENT CORPORATION

8 7 6 5 4 3 2 1



PC-100 Z80 PROC.

REVISION HISTORY		
DATE	ECO NUMBER	REV.

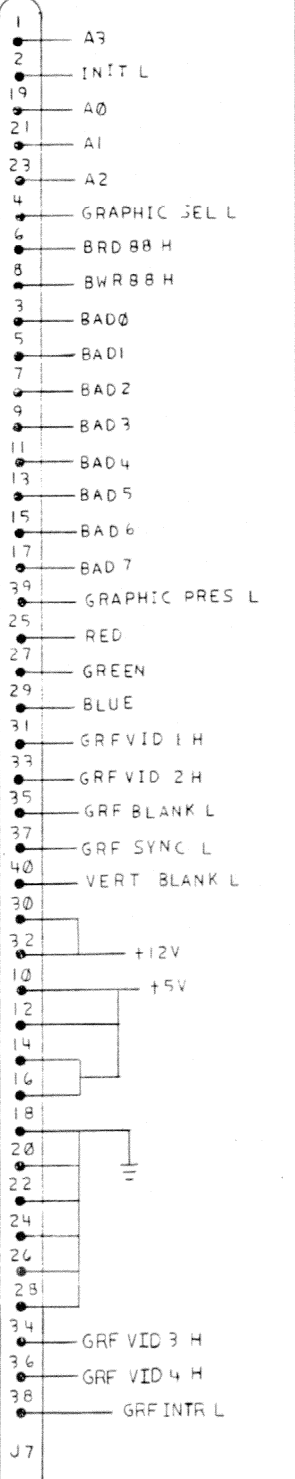
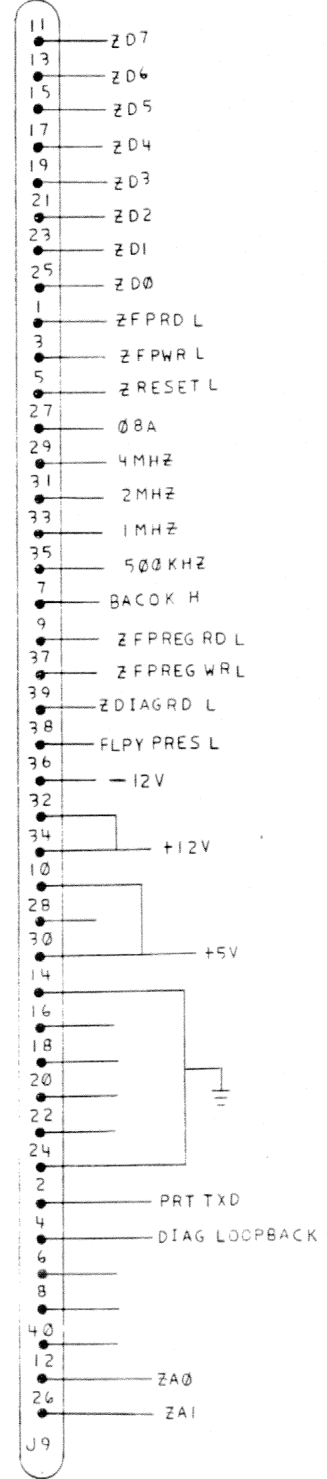
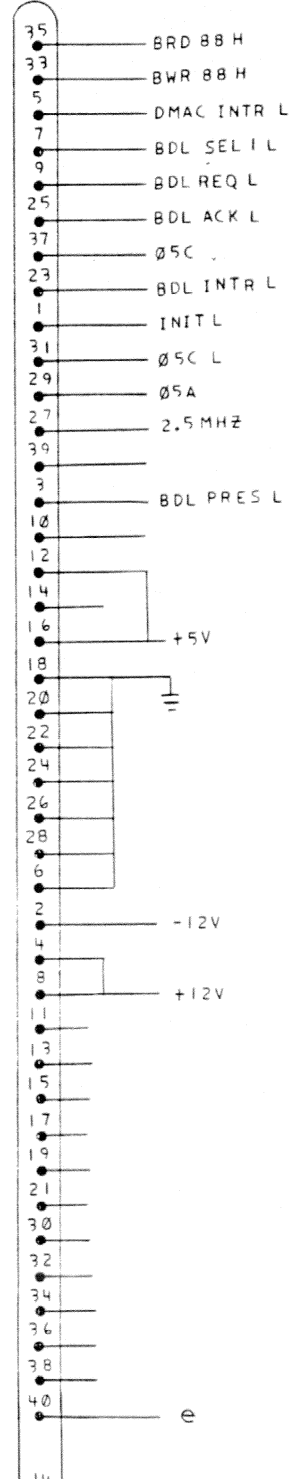
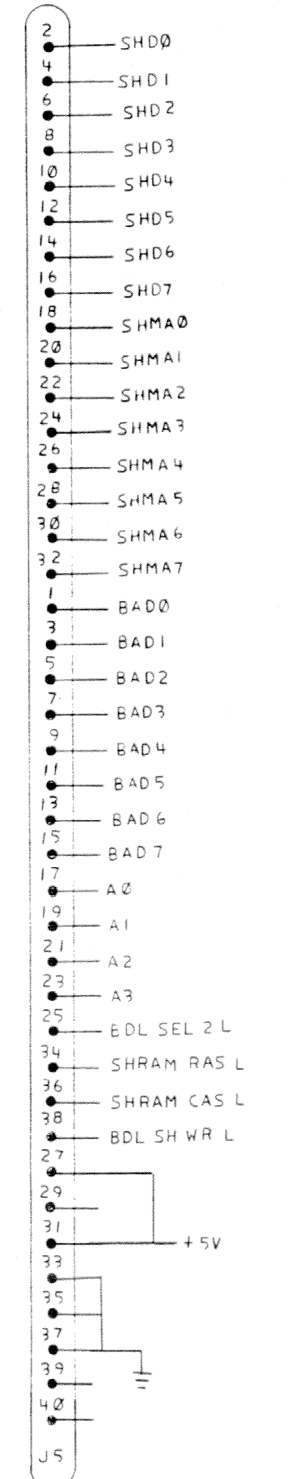
DOCUMENT NUMBER		
SIZE CODE	NUMBER	REV.
D	CS 5415486-0-1	E
SCALE NONE		SHEET 11 OF 13

8 7 6 5 4 3 2 1 ML 1

THIS DRAWING AND SPECIFICATIONS HEREIN ARE THE PROPERTY OF DIGITAL EQUIPMENT CORPORATION AND SHALL NOT BE REPRODUCED OR COPIED OR USED IN WHOLE OR IN PART AS THE BASIS FOR THE MANUFACTURE OR SALE OF ITEMS WITHOUT WRITTEN PERMISSION. COPYRIGHT © 1982 DIGITAL EQUIPMENT CORPORATION

D
C
B
A

D
C
B
A



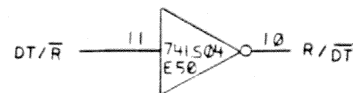
PC-100 INTERCONNECT

REVISION HISTORY		
DATE	ECO NUMBER	REV.

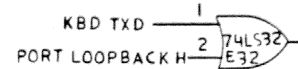
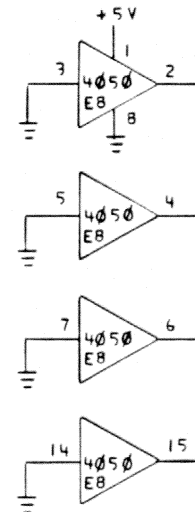
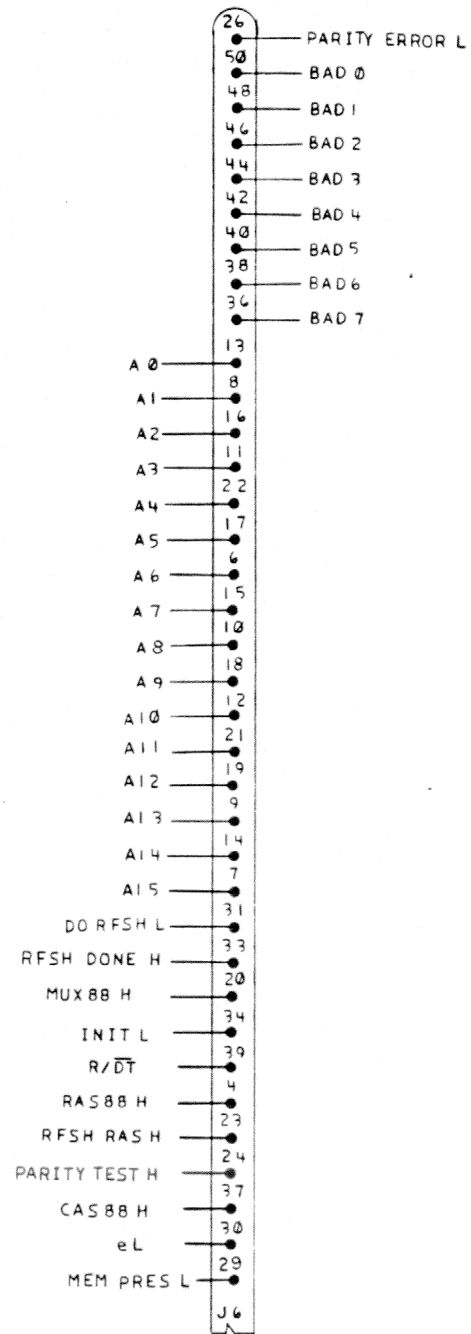
TITLE
PC100 MOTHER BOARD

DOCUMENT NUMBER		
SIZE CODE	NUMBER	REV.
DCS	5415486-0-1	E
SCALE NONE	SHEET 12 OF 13	

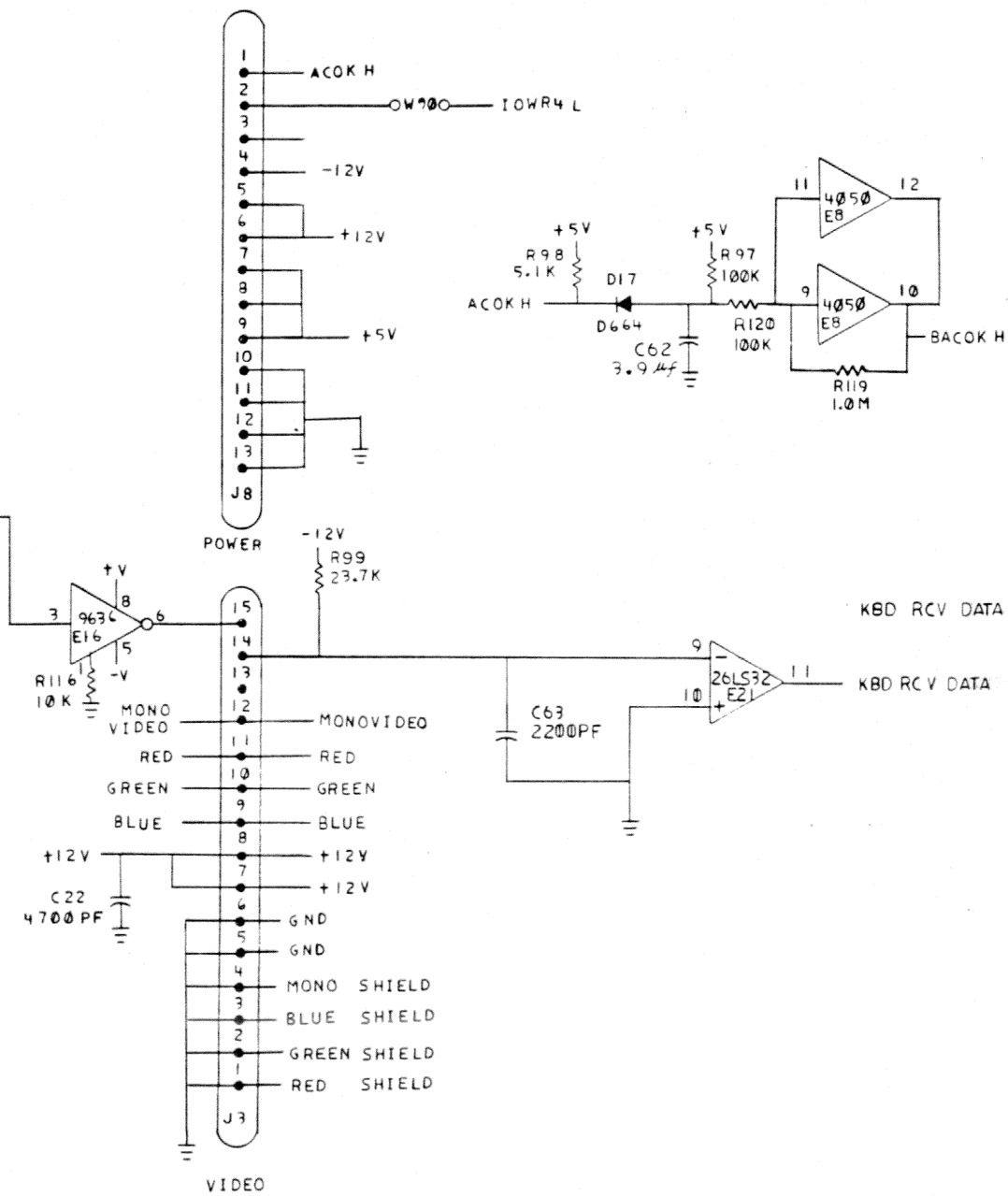
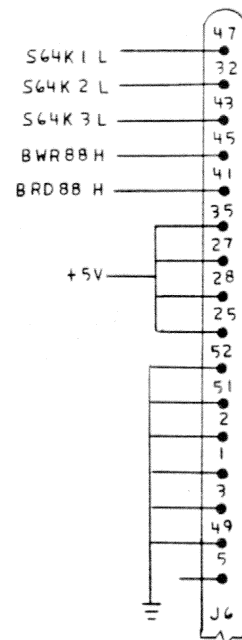
THIS DRAWING AND SPECIFICATIONS HEREBY ARE THE PROPERTY OF DIGITAL EQUIPMENT CORPORATION AND SHALL NOT BE REPRODUCED OR COPIED OR USED IN WHOLE OR IN PART AS THE BASIS FOR THE MANUFACTURE OR SALE OF ITEMS WITHOUT WRITTEN PERMISSION.
 COPYRIGHT © 1982 DIGITAL EQUIPMENT CORPORATION



MEMORY OPTION CONN



MEMORY OPT CONN.



PC-100 INTERCONNECT

REVISION HISTORY		
DATE	ECO NUMBER	REV.

TITLE
 PC100 MOTHER BOARD

DOCUMENT NUMBER		
SIZE CODE	NUMBER	REV.
DCS	5415486-0-1	E
SCALE NONE		SHEET 13 OF 13

DRAWING NO.	NO. OF SHTS.	PART NO.	DESCRIPTION	REVISIONS															
				A	B	C	CH												
		5415482-00	PC100 RX50 CONTROLLER	A	B	C	CH												
E-UA-5415482-0-0	1		PC100 RX50 CONTROLLER	A	B	C	C												
D-CS-5415482-0-1	2		PC100 RX50 CONTROLLER	A	B	C	C												
K-PL-5415482-0-DBP	2		PC100 RX50 CONTROLLER	A	B	C	C												
K-PC-5415482-0-DBC			P.C. DESIGN DATA BASE	B	B	C	C												
B-DD-5015481-0-0	1		DRAWING DIRECTORY	-	-	A	B												
K-SP-5415482-0 - DBP	22		PC100 RX50 CONTROLLER SPEC.	-	-	-	A												

NOTES:

REVISIONS		DATE	CHG NO.	REV.	A	B	C	D
		7/82						
		1/83	ML001					
		3/83	ML002					
		6-83	ML003					

THIS DRAWING AND SPECIFICATIONS, HEREIN, ARE THE PROPERTY OF DIGITAL EQUIPMENT CORPORATION AND SHALL NOT BE REPRODUCED OR COPIED OR USED IN WHOLE OR IN PART AS THE BASIS FOR THE MANUFACTURE OR SALE OF ITEMS WITHOUT WRITTEN PERMISSION.

COPYRIGHT © 1982 DIGITAL EQUIPMENT CORPORATION



USED ON OPTION/MODEL	DRN. J. COTE	13JUL82	TITLE	PC100 RX50 CONTROLLER
PC100	CHK'D J. COTE	13JUL82	SIZE	B
	ENG. D. LEBLANC	13JUL82	CODE	DD
	PROD. E. TOMPKINS	13JUL82	NUMBER	5415482-0
			REV.	D
			SHEET 1 OF 1	

AUTOMATED BY PRTLST.3P(44)

PARTS LIST

SHEET A1 OF A2

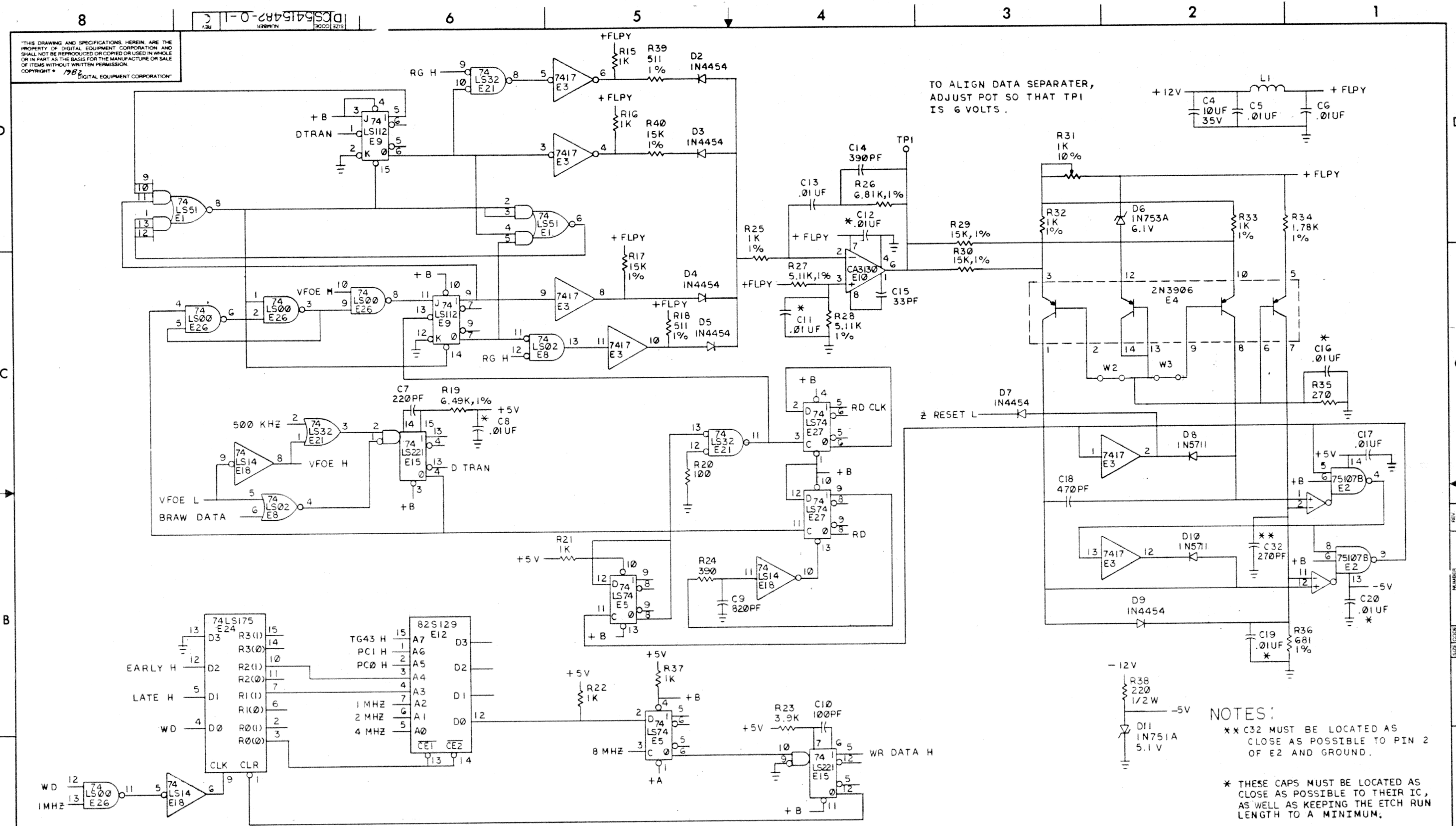
LINE	ITEM	DOCUMENT NUMBER	PART NUMBER	DESCRIPTION	QTY	PER VARIATION	REFERENCE DESIGNATOR
					00		
1	1	D-MD-5015481-0-0	5015481-00	CIRCUIT DRILL & ETCH	1		
2	2		1000022-00	270.0 MMF 100V 5%200PPM MICA	1		C32
3	3		1001610-00	.01 MFD 50V +80-20% Z5U CER	10	CONT	C5,C6,C8,C11,C12,C13,C16,C17, C19,C20
4	4		1001631-00	390.0 MMF 100V 5%200PPM MICA	1		C14
5	5		1005306-00	6.8MFD 35V 10% S.TANT	1		C2
6	6		1012084-03	*** THIS ITEM IS NOT USED ***	-		
7	7		1012784-00	.047 MFD 50V +80-20% CER	10		C22-C31
8	8		1013466-04	3.3 0 MMF 50V 5% CER	1		C15
9	9		1013466-06	100.0 MMF 50V 5% CER	2		C1,C10
10	10		1013466-07	220.0 MMF 50V 5% CER	1		C7
11	11		1013466-19	470.0 MMF 50V 5% CER	1		C18
12	12		1013466-27	820.0 MMF 50V 5% X7R CER	1		C9
13	13		1017472-00	10 MFD 35V +50-10% AL EL	2		C4,C21
14	14		1102421-01	DEC 753 VZ= 6.2 1% .40W	1		D6
15	15		1110488-00	*** THIS ITEM IS NOT USED ***	-		
16	16		1110994-00	1N 751A VZ= 5.1 5% .40W	1		D11
17	17		1111577-00	1N 4454 TR= 4NS PIV= 50 S	6		D2-D5,D7,D9
18	18		1215006-02	*** THIS ITEM IS NOT USED ***	-		
19	19		1215006-08	SKT,IC 40PIN DIP TIN SOLD	1		XE25
20	20		1219065-00	*** THIS ITEM IS NOT USED ***	-		
21	21		1219952-01	*** THIS ITEM IS NOT USED ***	-		
22	22		1300229-00	100.0 .25 W 5.0 % CF	1		R20
23	23		1300250-00	150.0 .25 W 5.0 % CF	5		R7-R11
24	24		1300274-00	220.0 .50 W 5.0 % CF	1		R38
25	25		1300309-00	390.0 .25 W 5.0 % CF	1		R24
26	26		1300365-00	1.0 K .25 W 5.0 % CF	6		R6,R15,R16,R21,R22,R37
27	27		1300444-00	3.90 K .25 W 5.0 % CF	2		R4,R23
28	28		1300447-00	*** THIS ITEM IS NOT USED ***	-		
29	29		1300479-00	10.0 K .25 W 5.0 % CF	3		R1-R3

REVISION HISTORY		BASIC PART NO: 5415482		DRN: R.Z. BUREAU	DATE: 31-MAR-82	D I G I T A L	
ENG:	ECO NUMBER	REV	SECTION A OF A	CHK'D: J. LEPKOWSSKI	DATE: 31-MAR-82	TITLE PARTS LIST	
	INITIAL	A	SECTION VARIATION INDEX	DES.ENG: DAN LEBLANC	DATE: 12-JUL-82	DOCUMENT NUMBER	
DL	5415482-ML001	B	[A] 00	RESP.ENG.: DAN LEBLANC	DATE: 12-JUL-82	SIZE: K	CODE: PL
DL	5415482-ML002	C	[B]	MFG.ENG.: ED TOMPKINS	DATE: 12-JUL-82	NUMBER: 5415482-0-DBP	REV: C
			[C]	ASSEMBLY NUMBER: D-UA-5415482-0-0	TOP DOCUMENT NUMBER: #D-BB-5415482-0	FILE NAME: Z4363C.PLS	EDIT #: 21
			[D]	"THIS DRAWING AND SPECIFICATIONS HEREIN, ARE THE PROPERTY OF DIGITAL EQUIPMENT CORPORATION AND SHALL NOT BE REPRODUCED OR COPIED OR USED IN WHOLE OR IN PART AS THE BASIS FOR THE MANUFACTURE OR SALE OF ITEMS WITHOUT WRITTEN PERMISSION. COPYRIGHT (C) 1983. DIGITAL EQUIPMENT CORPORATION "			
			[E]				
			[F]				
			[H]				
			[J]				
			[K]				
			[L]				
			[M]				
			[N]				

LINE	ITEM	DOCUMENT NUMBER	PART NUMBER	DESCRIPTION	QTY PER VARIATION 00	REFERENCE DESIGNATOR
30	30		1301972-00	270.0 .25 W 5.0 * CF	1	R35
31	31		1302395-00	*** THIS ITEM IS NOT USED ***	-	
32	32		1302411-00	511.0 .25 W 1.0 * RN55D-F10	2	R18,R39
33	33		1302612-00	1.78 K .25 W 1.0 * RN55D-F10	1	R34
34	34		1302872-00	681.0 .25 W 1.0 * RN55D-F10	1	R36
35	35		1303114-00	1.0 K .25 W 1.0 * RN55D-F10	3	R25,R32,R33
36	36		1304854-00	5.11 K .25 W 1.0 * RN55D-F10	2	R27,R28
37	37		1304870-00	6.81 K .25 W 1.0 * RN55D-F10	1	R26
38	38		1309143-07	1.0 K .75 W10.0 * POT	1	R31
39	39		1313752-00	15.0 K .25 W 1.0 * RN55D-F10	4	R17,R40,R29,R30
40	40		1317399-00	6.49 K .25 W 1.0 * RN55D-F10	1	R19
41	41		1510706-00	*** THIS ITEM IS NOT USED ***	-	
42	42		1517999-00	3906 PNP 900MW ARRAY 14PIN	1	E4
43	43		1618238-02	BEAD,FERRITE .1380DX.330LG	1	L1
44	44		1909929-00	7417 BUFFER GATE-HEX 1INP	1	E3
45	45		1910268-00	DEC 75107B RECEIVER,LINE,DUAL,	1	E2
46	46		1911219-00	7438 NAND GATE-QUAD 2IN,B	3	E17,E22,E23
47	47		1912799-00	LS00 NAND-GATE-QUAD 2IN,P	2	E14,E26
48	48		1912801-00	LS02 NOR-GATE-QUAD 2IN	1	E8
49	49		1912816-00	LS32 OR GATE-QUAD 2IN,POS	2	E21,E28
50	50		1912820-00	LS51 A-O-I GATE 2-WIDE 2I	2	E1,E6
51	51		1912824-00	LS74 FF-D DUAL,EDGE TRIGG	2	E5,E27
52	52		1912834-00	LS112 FF-JK,DUAL,EDGE TRIG	1	E9
53	53		1912848-00	LS158 MUX 1 OF 2 (QUAD)	1	E16
54	54		1912853-00	LS175 FF-D QUAD	1	E24
55	55		1912858-00	LS221 ONE SHOT-DUAL,SCHMIT	2	E7,E15
56	56		1912863-00	LS273 FF-D OCTAL W/CLEAR	1	E19
57	57		1913414-00	LS14 INVERTER GATE-HEX SC	1	E18
58	58		1913471-00	LS367 DRIVER,BUS,HEX,TRI-	1	E20
59	59		1914466-00	3130E OP AMP MOS/FET IN,CM	1	E10
60	60		1915193-00	LS244 DRIVER,LINE,OCTAL,T	1	E13
61	61		2118823-00	1793-02 FLOPPY DISK FORMAT	1	E25
62	62		23640A2-00	A2-05,A2-08 RO	1	E12
63	63		9009185-00	JUMPER, WIRE, INSULATED, BLACK B	2	W2,W3
64	64		9009743-00	*** THIS ITEM IS NOT USED ***	-	
65	65		9107256-00	*** THIS ITEM IS NOT USED ***	-	
66	66		1300539-00	120.0 K .25 W 5.0 * CF	1	R5
67	67		1219952-04	PCB HEADER 34PIN(2X17).100CC STR	1	J3
68	68		1219952-03	PCB HEADER 34PIN(2X17).100CC STR	1	J2
69	69		1110603-00	1N 5711 TM=100PS PIV= 70V HM	2	D8,D10
70	70		9105740-55	*** THIS ITEM IS NOT USED ***	-	
71	71		1219065-03	CONN,P+S 48SKT(2X24).100CC	1	J1
72	72		1215901-09	PCB,HEADER 01 PIN(1X01).100 CC S	1	TP1

D	I	G	I	T	A	L	TITLE	SECTION A OF A	SIZE	CODE	DOCUMENT NUMBER	REV
							PC100 RX50 CONTROLLER		K	PL	5415482-0-DBP	C

THIS DRAWING AND SPECIFICATIONS, HEREIN, ARE THE PROPERTY OF DIGITAL EQUIPMENT CORPORATION AND SHALL NOT BE REPRODUCED OR COPIED OR USED IN WHOLE OR IN PART AS THE BASIS FOR THE MANUFACTURE OR SALE OF ITEMS WITHOUT WRITTEN PERMISSION.
 COPYRIGHT © 1982 DIGITAL EQUIPMENT CORPORATION



TO ALIGN DATA SEPARATER,
 ADJUST POT SO THAT TPI
 IS 6 VOLTS.

NOTES:
 ** C32 MUST BE LOCATED AS
 CLOSE AS POSSIBLE TO PIN 2
 OF E2 AND GROUND.
 * THESE CAPS MUST BE LOCATED AS
 CLOSE AS POSSIBLE TO THEIR IC,
 AS WELL AS KEEPING THE ETCH RUN
 LENGTH TO A MINIMUM.

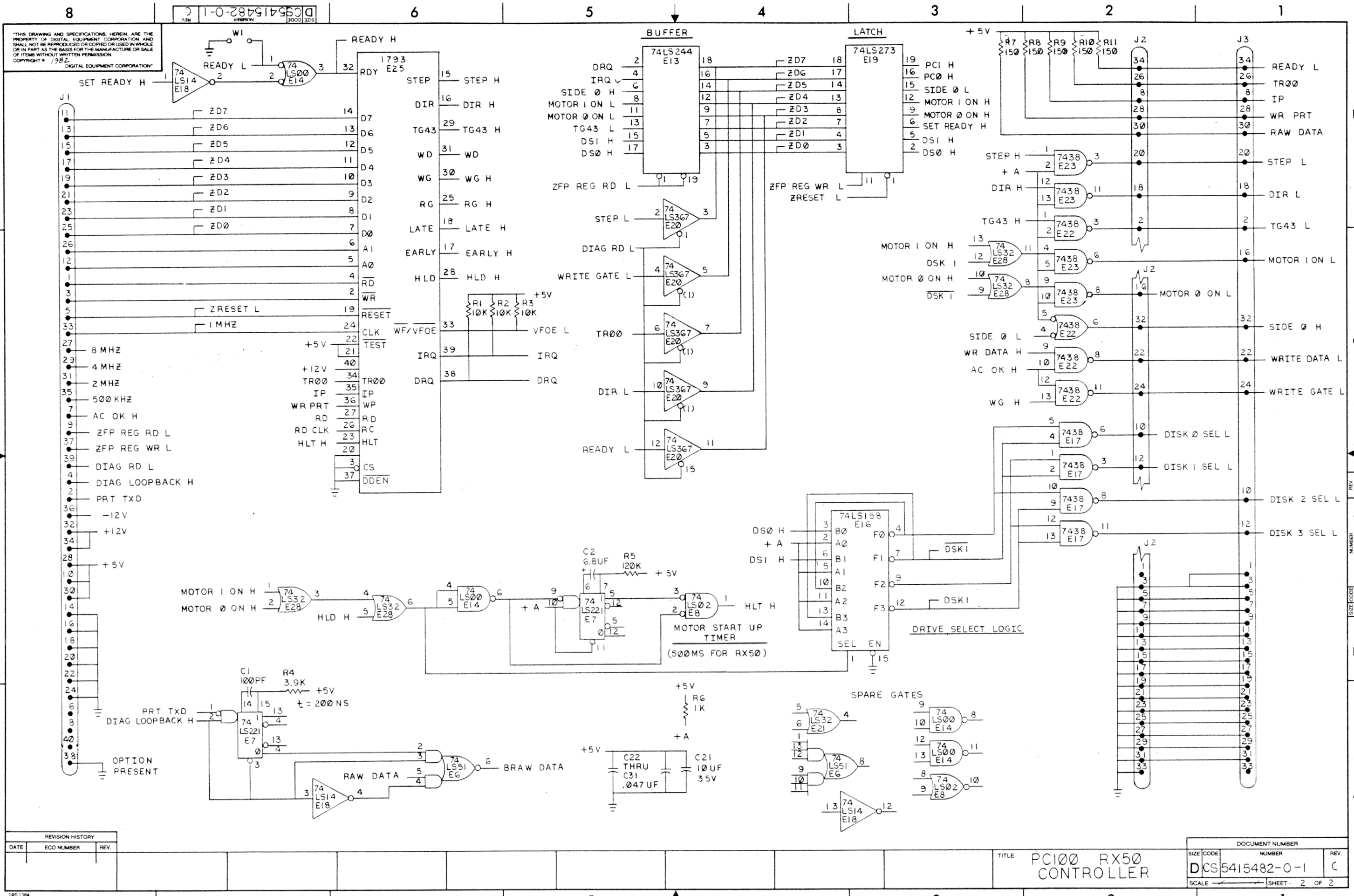
DATE	REV	ECO NUMBER	BY	CHKD	DATE
11-78	B	5415482-ML001	D LEBLANC		
3-16-82	C	5415482-ML002	D LEBLANC		
3-16-82			D LEBLANC		
3-16-83			D LEBLANC		

OWN	DATE	TITLE
DAVID BLANE	16 Jul 82	digital
CHKD	DATE	
DAN COLE	13 Jul 82	
DES ENGR	DATE	
DANIEL DE BLANE	12 July 82	
APP ENGR	DATE	
DANIEL DE BLANE	12 July 82	
WFO ENGR	DATE	
C.R. TROUPHUIS	7-14-82	
NEXT HIGHER DOC.		
B-DD-5415482-0		

PCI00 RX50
 CONTROLLER

DOCUMENT NUMBER
 DCS5415482-0-1

SCALE SHEET OF 2



THIS DRAWING AND SPECIFICATIONS HEREIN ARE THE PROPERTY OF DIGITAL EQUIPMENT CORPORATION AND SHALL NOT BE REPRODUCED OR COPIED OR USED IN WHOLE OR IN PART AS THE BASIS FOR THE MANUFACTURE OR SALE OF ITEMS WITHOUT WRITTEN PERMISSION.
 COPYRIGHT © 1982 DIGITAL EQUIPMENT CORPORATION

REVISION HISTORY		
DATE	ECO NUMBER	REV.

TITLE
**PCI00 RX50
 CONTROLLER**

DOCUMENT NUMBER		
SIZE CODE	NUMBER	REV.
D	CS5415482-0-1	C
SCALE	SHEET	2 OF 2

"THE MATERIAL HEREIN IS FOR INFORMATION PURPOSES ONLY AND IS SUBJECT TO CHANGE WITHOUT NOTICE. DIGITAL EQUIPMENT CORPORATION ASSUMES NO RESPONSIBILITY FOR ANY ERRORS WHICH MAY APPEAR HEREIN."

FIELD MAINTENANCE PRINT SET

"THIS DRAWING AND SPECIFICATIONS, HEREIN, ARE THE PROPERTY OF DIGITAL EQUIPMENT CORPORATION AND SHALL NOT BE REPRODUCED OR COPIED OR USED IN WHOLE OR IN PART AS THE BASIS FOR THE MANUFACTURE OR SALE OF ITEMS WITHOUT WRITTEN PERMISSION. COPYRIGHT © 1983 DIGITAL EQUIPMENT CORPORATION."

TABLE OF CONTENTS

B-TC-BA25-0-1 FIELD MAINTENANCE PRINT SET
 B-DD-BA25-0 BA25 (DRAWING DIRECTORY ONLY)
 E-UA-BA25-0-0 UNIT ASSY BA25
 K-PL-BA25-0-DBP UNIT ASSY BA25 (PARTS LIST)

~~B-PL-BA25-0-2~~

UNIT VARIATIONS COVERED BY THIS PRINT SET
BA25-A
BA25-B
BA25-CA
BA25-CB
BA25-AA

**Field Maintenance
 Print Set**

**Digital Equipment
 Corporation**

Print Set Part Number **MP-** 01415

REVISION HISTORY			DRN.	DATE	TITLE	SIZE	CODE	NUMBER	REV.
	REV.	A	Bob Netto	24 MAY 82	digital	B	TC		C
	ECO NUMBER	B	CHK'D. <i>Thomas Chacks</i>	DATE <i>1 Oct 82</i>	SMALL SYSTEM UNIT ENCLOSURE	DOCUMENT NUMBER			
	RELEASE	C	DES. ENG. <i>Don Albano</i>	DATE <i>1 Oct 82</i>		SIZE	CODE	NUMBER	REV.
10/83	BA25-MLOO1	B	RESP. ENG. <i>Daniel Albano</i>	DATE <i>1 Oct 82</i>		B	TC	BA25-0-1	C
01/85	BA25-MLOO4	C	FIELD SERVICE <i>GARY HOUDESHELL</i>	DATE <i>29 Oct 82</i>		SHEET 1 OF 1			
			NEXT HIGHER DOC. B-DD-BA25-0						

REV. C
NUMBER BA25-0-1
CODE B TC

DRAWING NO.	NO. OF SHTS.	PART NO.	DESCRIPTION	REVISIONS															
				A	A1	A2	A3	A4											
		BA25-A	SMALL SYSTEM UNIT ENCLOSURE	A	A1	A2	A3	A4											
		BA25-B	BA25-A, RX50-AA, H7842-A, 120/240V SMALL SYSTEM UNIT ENCLOSURE	A	A1	A2	A3	A3											
		BA25-CA	SMALL SYSTEM UNIT ENCLOSURE WITH DC FAN		A1	A1	A2	A2											
		BA25-CB	BA25-CA, RX50-AA, H7842-D, 220-240V 120/		A1	A1	A2	A2											
		BA25-AA	BA25-A, RX50-AA, H7842-D 120/240 SMALL SYSTEMS UNIT ENCLOSURE					A1											
E-UA-BA25-0-0			SMALL SYSTEMS UNIT ENCLOSURE	A	B	C	D	E											
K-PL-BA25-0-DBP			SMALL SYSTEMS UNIT ENCLOSURE	A	B	C	D	E											
B-TC-BA25-0-1			SMALL SYSTEMS UNIT ENCLOSURE	A	B	B	B	C											
B-PL-BA25-0-2			BA25 SHIPPING LIST	A	B	B	B	INA											

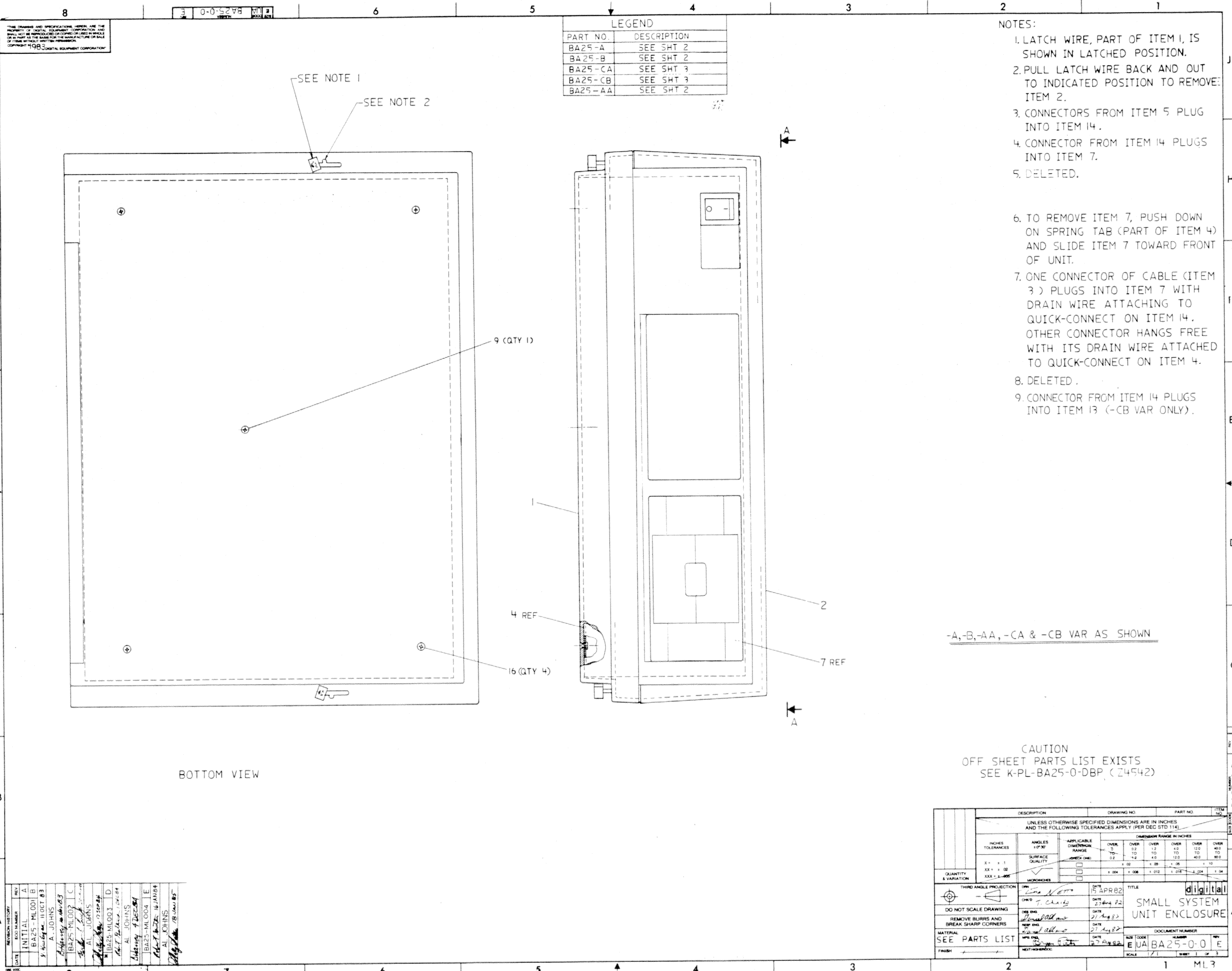
NOTES:

REVISION HISTORY		A	B	C	D	E
DATE	ECO NO.	INITIAL				
16-NOV-83	BA25-ML001					
20-AUG-84	BA25-ML002					
03-DEC-84	BA25-ML003					
18-JAN-85	BA25-ML004					

THIS DRAWING AND THE SPECIFICATIONS CONTAINED HEREIN ARE CONFIDENTIAL AND PROPRIETARY. THEY ARE THE PROPERTY OF DIGITAL EQUIPMENT CORPORATION AND SHALL NOT BE REPRODUCED OR COPIED OR USED IN WHOLE OR IN PART AS THE BASIS FOR THE MANUFACTURE OR SALE OF ITEMS WITHOUT WRITTEN PERMISSION. THIS IS AN UNPUBLISHED WORK PROTECTED UNDER THE FEDERAL COPYRIGHT LAWS.



DRN. B. NETTO	DATE 14-MAY-82	TITLE SMALL SYSTEMS UNIT ENCLOSURE	
CHK'D T. CHACKO	DATE 03-SEP-82	DOCUMENT NUMBER	
DES. ENG. D. ALBANO	DATE 01-OCT-82	SIZE B	CODE DD
RESP. ENG. D. ALBANO	DATE 01-OCT-82	NUMBER BA25-0	REV. E
MFG. ENG. B. PORTER	DATE 01-OCT-82	SHEET 1 OF 1	



BOTTOM VIEW

PART NO.	DESCRIPTION
BA25-A	SEE SHT 2
BA25-B	SEE SHT 2
BA25-CA	SEE SHT 3
BA25-CB	SEE SHT 3
BA25-AA	SEE SHT 2

- NOTES:
1. LATCH WIRE, PART OF ITEM 1, IS SHOWN IN LATCHED POSITION.
 2. PULL LATCH WIRE BACK AND OUT TO INDICATED POSITION TO REMOVE ITEM 2.
 3. CONNECTORS FROM ITEM 5 PLUG INTO ITEM 14.
 4. CONNECTOR FROM ITEM 14 PLUGS INTO ITEM 7.
 5. DELETED.
 6. TO REMOVE ITEM 7, PUSH DOWN ON SPRING TAB (PART OF ITEM 4) AND SLIDE ITEM 7 TOWARD FRONT OF UNIT.
 7. ONE CONNECTOR OF CABLE (ITEM 3) PLUGS INTO ITEM 7 WITH DRAIN WIRE ATTACHING TO QUICK-CONNECT ON ITEM 14. OTHER CONNECTOR HANGS FREE WITH ITS DRAIN WIRE ATTACHED TO QUICK-CONNECT ON ITEM 4.
 8. DELETED.
 9. CONNECTOR FROM ITEM 14 PLUGS INTO ITEM 13 (-CB VAR ONLY).

-A,-B,-AA,-CA & -CB VAR AS SHOWN

CAUTION
OFF SHEET PARTS LIST EXISTS
SEE K-PL-BA25-0-DBP (24942)

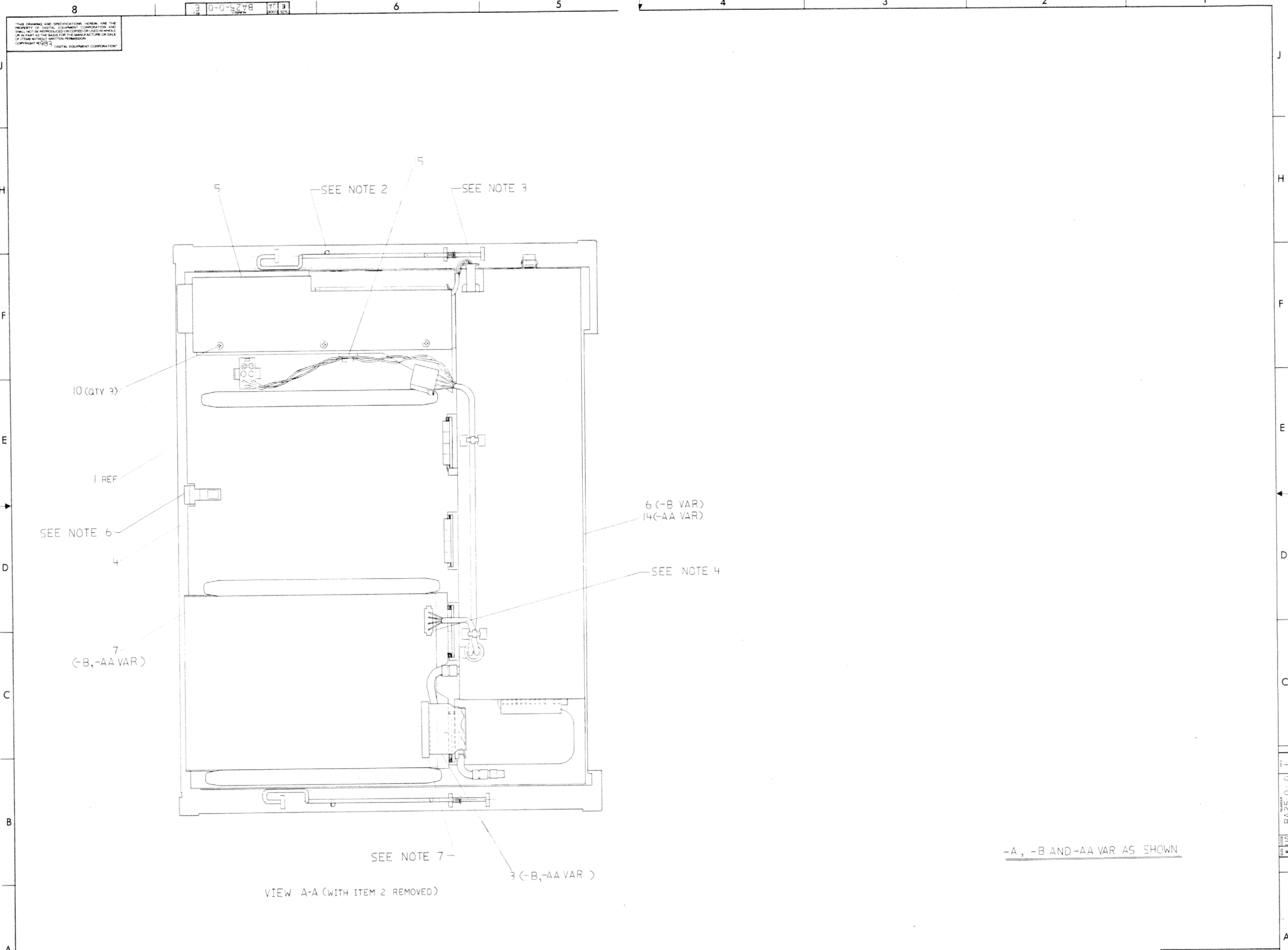
DATE	REVISION HISTORY
	INITIAL
	BA25-ML001 B
	BA25-ML002 B
	BA25-ML003 C
	BA25-ML004 E
	BA25-ML005
	BA25-ML006
	BA25-ML007
	BA25-ML008
	BA25-ML009
	BA25-ML010

DESCRIPTION	DRAWING NO.	PART NO.	ITEM NO.
UNLESS OTHERWISE SPECIFIED DIMENSIONS ARE IN INCHES AND THE FOLLOWING TOLERANCES APPLY (PER DEC STD 114)			
INCHES TOLERANCES	ANGLES ± 30'	DIMENSION RANGE IN INCHES	
		OVER 0	OVER 0.5
SURFACE QUALITY	APPLICABLE DIMENSION RANGE	OVER 0.03	OVER 0.075
		OVER 0.075	OVER 0.15
QUANTITY & VARIATION	XXX = 1-400	OVER 0.15	OVER 0.3
THIRD ANGLE PROJECTION		MICROINCHES	
DO NOT SCALE DRAWING	REMOVE BURRS AND BREAK SHARP CORNERS	MATERIAL SEE PARTS LIST	
FINISH			

DATE	BY	TITLE	SCALE	SHEET	OF	TOTAL SHEETS
15 APR 82	J. Clark	SMALL SYSTEM UNIT ENCLOSURE	1/1	1	3	3
27 APR 82	...					
27 APR 82	...					
27 APR 82	...					
27 APR 82	...					

THIS DRAWING AND SPECIFICATIONS HEREIN ARE THE PROPERTY OF DIGITAL EQUIPMENT CORPORATION AND SHALL NOT BE REPRODUCED OR COPIED OR USED IN WHOLE OR IN PART AS THE BASIS FOR THE MANUFACTURE OR SALE OF ITEMS WITHOUT WRITTEN PERMISSION. COPYRIGHT © 1975 DIGITAL EQUIPMENT CORPORATION

3 0-0-0-248 77 3



VIEW A-A (WITH ITEM 2 REMOVED)

-A, -B AND -AA VAR AS SHOWN

REVISION HISTORY		
DATE	ECO NUMBER	REV

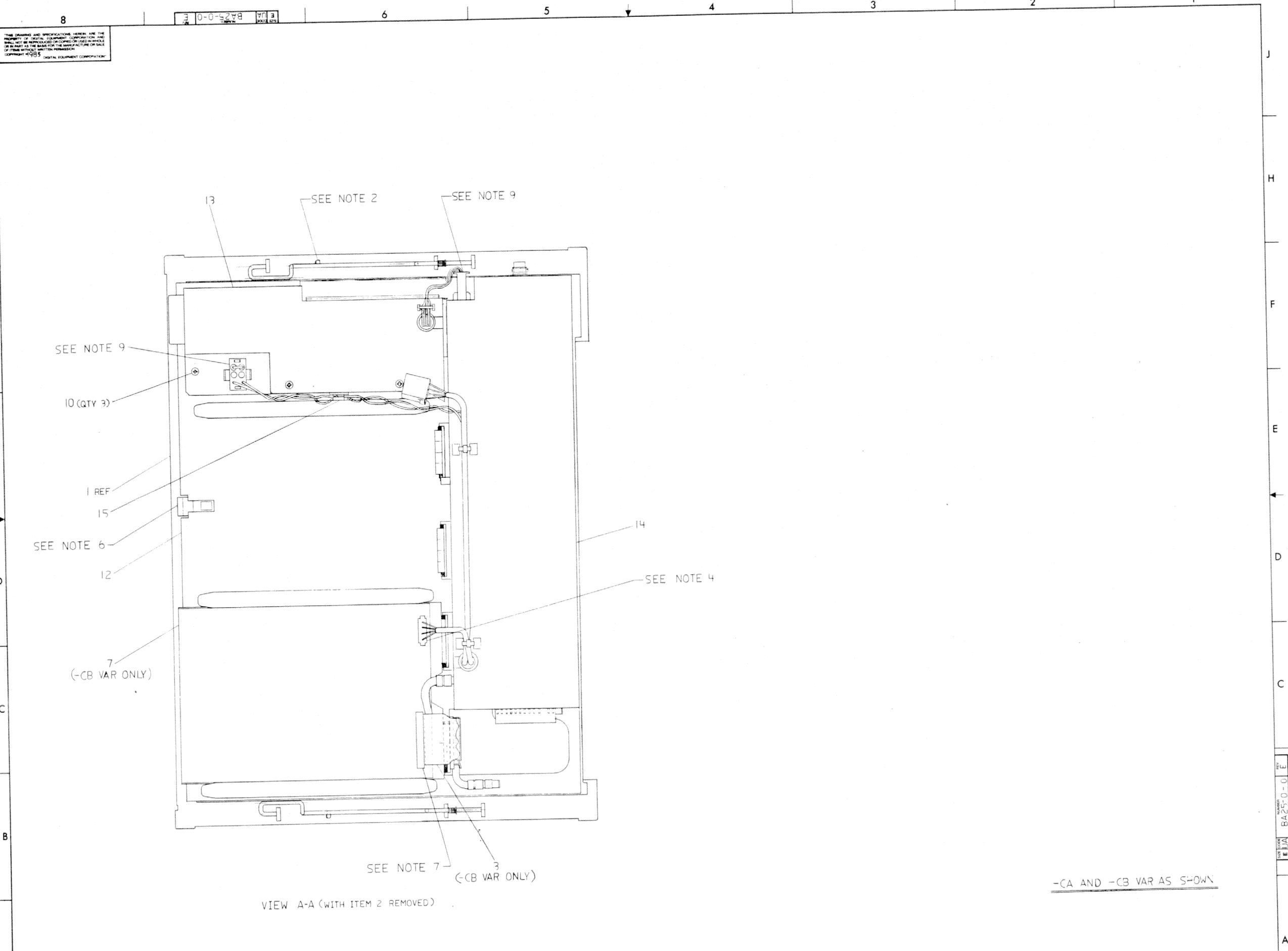
TITLE		DOCUMENT NUMBER	
SMALL SYSTEM UNIT ENCLOSURE		EUA BA25-0-0 E	
SCALE	1/1	SHEET	2 OF 3

EUA BA25-0-0 E

ML²

THIS DRAWING AND SPECIFICATIONS HEREIN ARE THE PROPERTY OF DIGITAL EQUIPMENT CORPORATION AND SHALL NOT BE REPRODUCED OR COPIED OR USED IN WHOLE OR IN PART AS THE BASIS FOR THE MANUFACTURE OR SALE OF OTHER EQUIPMENT WITHOUT WRITTEN PERMISSION OF DIGITAL EQUIPMENT CORPORATION.

BA25-0-0 E



VIEW A-A (WITH ITEM 2 REMOVED)

-CA AND -CB VAR AS SHOWN

REVISION HISTORY		
DATE	ECO NUMBER	REV

TITLE
SMALL SYSTEM
UNIT ENCLOSURE

DOCUMENT NUMBER		
SIZE	CODE	NUMBER
E	JA	BA25-0-0 E
SCALE 1/1		SHEET 3 OF 3
1		ML 3

PARTS LIST

LINE ITEM	TOP DOCUMENT	PART NUMBER	MIN REV	DESCRIPTION	QTY PER VARIATION				
					A	B	CA	CB	AA A1
1	D-AD-7019573-0-0	7019573-00	B	ENCLOSURE BOTTOM ASSY.	1	1	1	1	1
2	E-IA-7019505-0-DBU	7019505-01		TOP ENCLOSURE ASSY. W/FILLER PLA	1	1	1	1	1
3		1700317-03		CABLE ASSY 34COND SHIELDED 8"LG	-	1	-	1	1
4	D-IA-7019571-0-0	7019571-00		RIVETED ASSY.	1	1	-	-	1
5	D-AD-7019572-0-0	7019572-00		FAN BRACKET ASSY	1	1	-	-	1
6	E-UA-H7842-0-0	H7842-A		SMALL SYS UNIT POW SUP: 138 WATT	-	1	-	-	-
7		RX50 -AA		DUAL 5.25" SINGLE SIDED FLOPPY D	-	1	-	1	1
8		1700318-01		*** THIS ITEM IS NOT USED ***	-	-	-	-	-
9		9006021-02		SCREW,MACH FLAT PHIL 6-	1	1	1	1	1
10		9009701-00		SCREW,SEMS PAN PHIL 6-	3	3	3	3	3
11		1213715-02		*** THIS ITEM IS NOT USED ***	-	-	-	-	-
12	D-IA-7019571-0-0	7019571-01		RIVETED ASSEMBLY	-	-	1	1	-
13	D-AD-7020816-0-DBU	7020816-01		FAN ASSY	-	-	1	1	-
14	E-UA-H7842-0-0	H7842-D		SMALL SYS UNIT POW SUP:142 WATTS	-	-	-	1	1
15		9009771-03		CLAMP,CABLE,U CLIP,ADH.BACK 3/1	1	1	1	1	-
16		9006020-01		SCREW,MACH PAN PHIL 6-	4	4	4	4	4

REVISION HISTORY			BASIC PART NO: BA25		DRN:	B. NETTO	DATE:	D I G I T A L			
ENG	ECO NUMBER	REV	SECTION A OF A		CHK'D:	T. CHACKO	DATE:	PARTS LIST			
---	INITIAL	A	SECTION VARIATION INDEX				DATE:	SMALL SYSTEM UNIT ENCLOSURE			
AJ	BA25-ML001	B	(A)A ,B ,CA,CB,AA								
AJ	BA25-ML002	C									
AJ	BA25-ML003	D	(B)		DES.ENG:	D. ALBANO	DATE:	DOCUMENT NUMBER			
AJ	BA25-ML004	E	(C)					SIZE	CODE	NUMBER	REV
			(D)		RESP.ENG.:	D. ALBANO	DATE:	K	PL	BA25-0-DBP	E
			(E)		MFG.ENG.:	J. TRITAK	DATE:	RELEASE DATE: 14-JAN-85			
			(F)		ASSEMBLY NUMBER:	E-UA-BA25-0-0	TOP DOCUMENT NUMBER:	#B-DD-BA25-0		FILE NAME:	Z4542E.PLS
											EDIT #
											4

"THIS DRAWING AND THE SPECIFICATIONS CONTAINED HEREIN ARE CONFIDENTIAL AND PROPRIETARY. THEY ARE THE PROPERTY OF DIGITAL EQUIPMENT CORPORATION AND SHALL NOT BE REPRODUCED OR COPIED OR USED IN WHOLE OR IN PART AS THE BASIS FOR THE MANUFACTURE OR SALE OF ITEMS WITHOUT WRITTEN PERMISSION. THIS IS AN UNPUBLISHED WORK PROTECTED UNDER THE FEDERAL COPYRIGHT LAWS."

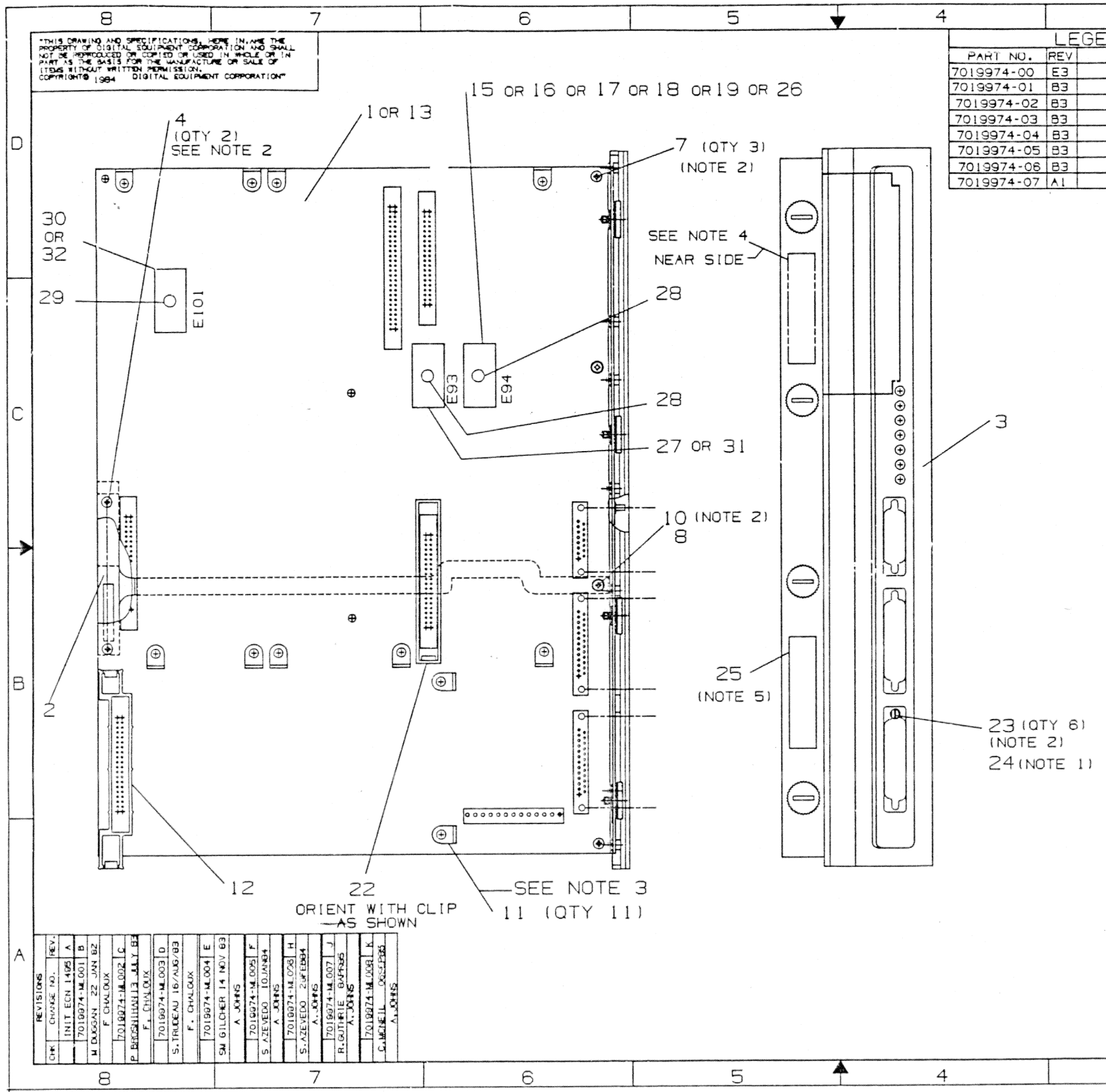
DAD 7019974-0-DBU K 2

*THIS DRAWING AND SPECIFICATIONS HEREIN ARE THE PROPERTY OF DIGITAL EQUIPMENT CORPORATION AND SHALL NOT BE REPRODUCED OR COPIED OR USED IN WHOLE OR IN PART AS THE BASIS FOR THE MANUFACTURE OR SALE OF ITEMS WITHOUT WRITTEN PERMISSION. COPYRIGHT © 1984 DIGITAL EQUIPMENT CORPORATION

LEGEND		
PART NO.	REV	VARIATION
7019974-00	E3	AS SHOWN
7019974-01	B3	AS SHOWN
7019974-02	B3	AS SHOWN
7019974-03	B3	AS SHOWN
7019974-04	B3	AS SHOWN
7019974-05	B3	AS SHOWN
7019974-06	B3	AS SHOWN
7019974-07	A1	AS SHOWN

NOTES:

1. APPLY ITEM #24 TO ITEM #23 BEFORE ASSY.
2. TORQUE REQUIREMENTS:
A) ITEM 4, 4-5 IN-LBS.
B) ITEM 7, 7-8 IN-LBS.
C) ITEM 23, 5-6 IN-LBS.
D) ITEM 10, 4-5 IN-LBS.
3. FOR -00 VAR. 1219857-01, ADDITIONAL STANDOFF, FOR GRAPHICS OPTION CAN ONLY BE INSTALLED ON ETCH REV "F" OR HIGHER OF 5415486-01.
4. PART TO BE MARKED WITH PART NUMBER, PART REVISION AND VENDOR PER DEC STD 178 IN THE DESIGNATED AREA.
5. LOCATE LABEL CENTRAL BETWEEN THUMB SCREWS.
6. REF DES SHOWN (EX:E93, E94,E101) REFER TO D-CS-5416206-0-1.



REV.	DATE	BY	CHK
A	1495	INIT	ECN
B	10	7019974-M-001	
	22	JAN	BZ
C	13	JULY	BZ
D	16	AUG	BZ
E	14	NOV	B3
F	10	JAN	B4
G	28	FEB	B4
H	07	J	
I	07	J	
J	14	FEB	85
K	14	FEB	85

CAUTION: OFF SHEET PARTS LIST EXISTS SEE: K-PL-7019974-0-DBP

QUANTITY & VARIATION	TOLERANCES	APPLICABLE DIMENSION RANGE	INCHES	MILLIMETERS	DESCRIPTION	DRAWING NO.	PART NO.	ITEM NO.
			OVER 12.0 TO 40.0	±0.10	UNLESS OTHERWISE SPECIFIED DIMENSIONS ARE IN INCHES AND THE FOLLOWING TOLERANCES APPLY (PER DEC STD 114)			
			OVER 12.0 TO 40.0	±0.10	DIMENSION RANGE IN INCHES			
			OVER 40.0 TO 80.0	±0.15	THIRD ANGLE PROJECTION			
			OVER 80.0 TO 100.0	±0.20	DRAWN BY: S. AZEVEDO			
			OVER 100.0 TO 120.0	±0.25	DATE: 27 AUG 82			
			OVER 120.0 TO 140.0	±0.30	DESIGNED BY: D. HEALY			
			OVER 140.0 TO 160.0	±0.35	DATE: 27 AUG 82			
			OVER 160.0 TO 180.0	±0.40	DESIGNED BY: D. MOORE			
			OVER 180.0 TO 200.0	±0.45	DATE: 27 AUG 82			
			OVER 200.0 TO 220.0	±0.50	RESPONSIBLE: F. CHALOUX			
			OVER 220.0 TO 240.0	±0.55	DATE: 27 AUG 82			
			OVER 240.0 TO 260.0	±0.60	DRAWN BY: L. HARDER			
			OVER 260.0 TO 280.0	±0.65	DATE: 27 AUG 82			
			OVER 280.0 TO 300.0	±0.70	TITLE: CPU ASSY			
			OVER 300.0 TO 320.0	±0.75	DOCUMENT NUMBER: DAD 7019974-0-DBU K			
			OVER 320.0 TO 340.0	±0.80	SCALE: 1/1			
			OVER 340.0 TO 360.0	±0.85	SHEET: 1 OF 1			

LINE	ITEM	TOP DOCUMENT	PART NUMBER	MIN REV	DESCRIPTION	QTY PER VARIATION							
						00 E3	01 B3	02 B3	03 B3	04 B3	05 B3	06 B3	07 A1
1	1	B-DD-5415486-0	5415486-01	F	PC100 MOTHERBOARD	1	-	-	-	-	-	-	-
2	2	E-MD-7427719-0-DBU	7427719-01	B	KEEL,SUPPORT,RAINBOW 100	1	1	-	-	-	-	-	1
3	3	D-AD-7019941-0-DBU	7019941-00		CONN. PANEL ASSY.	1	1	-	-	-	-	-	1
4	4		9010411-01		SCREW,THD RL,FLAT PHIL F/PLAS	2	2	-	-	-	-	-	2
5	5		9008451-05		*** THIS ITEM IS NOT USED ***	-	-	-	-	-	-	-	-
6	6		9010099-00		*** THIS ITEM IS NOT USED ***	-	-	-	-	-	-	-	-
7	7		9000049-44		SCREW,SEMS PAN PHIL 4-	3	3	-	-	-	-	-	3
8	8		9009948-00		WASHER,FLAT NYLON	1	1	-	-	-	-	-	1
9	9		9009321-00		*** THIS ITEM IS NOT USED ***	-	-	-	-	-	-	-	-
10	10		9006010-01		SCREW,MACH PAN PHIL 4-	1	1	-	-	-	-	-	1
11	11		1219857-01		STANDOFF,NYLON	11	11	-	-	-	-	-	11
12	12	D-MD-7428524-0-DBU	7428524-01		CONNECTOR,FASTENER,RAINBOW 100	1	1	-	-	-	-	-	1
13	13	B-DD-5416206-0	5416206-01	D	PC100-B MOTHER BOARD	-	1	-	-	-	-	-	1
14	14	D-AD-7019974-0-DBU	7019974-01	B	CPU ASSY RAINBOW 100B W/O ROM	-	-	1	1	1	1	1	-
15	15		23020E5-00		E5-02	-	-	-	1	-	-	-	-
16	16		23015E5-00		E5-02	-	-	-	-	1	-	-	-
17	17		23016E5-00		E5-02	-	-	-	-	-	1	-	-
18	18		23017E5-00		E5 02	-	-	-	-	-	-	1	-
19	19		23018E5-00		E5-02	-	-	-	-	-	-	-	1
20	20	A-PA-3700705-0-0	3700705-06		PKG CPU 701997X	REF	REF	REF	REF	REF	REF	REF	REF
21	21	A-PA-3700705-0-0	3700705-01		PKG CPU 701997X	REF	REF	REF	REF	REF	REF	REF	REF
22	22	D-MD-7428702-0-DBU	7428702-02		RESTRAINT,PC BOARD	1	1	-	-	-	-	-	1
23	23		9008451-06		SCREW,LOCK,STANDOFF ONLY .060TH	6	6	-	-	-	-	-	6
24	24		4901223-00		ADHESIVE, ANAEROBIC, RESIN BASE	A/R	A/R	-	-	-	-	-	A/R
25	25		3623792-01		LABEL,INSTALLED SPECIAL OPTION	-	-	-	-	-	-	-	1
26	26		23074E5-00		E5-01,E5-02 ROM	-	-	-	-	-	-	-	1
27	27		23073E5-00		E5-01,E5-02 ROM	-	-	-	-	-	-	-	2
28	28		3623793-01		LABEL,RED DOT	-	-	-	-	-	-	-	1
29	29		3623793-03		LABEL,YELLOW DOT	-	-	-	-	-	-	-	1
30	30		23063E3-00		E3-03	-	-	-	-	-	-	-	1

REVISION HISTORY		BASIC PART NO: 7019974		DRN: D. HEALY	DATE: 24-AUG-82	D I G I T A L		
ENG	ECO NUMBER	REV	SECTION A OF A	CHK'D: D. HEALY	DATE: 18-OCT-82	TITLE PARIS LIST		
---	INITIAL	A	SECTION VARIATION INDEX	DES.ENG: D. DICKLEMAN	DATE: 18-OCT-82	DOCUMENT NUMBER		
FC	7019974-ML001	B	[A]00,01,02,03,04,05,	RESP.ENG.: F. CHALOUX	DATE: 18-OCT-82	SIZE	CODE	NUMBER
FC	7019974-ML002	C	06,07	MFG.ENG.: L. HARDER	DATE: 18-OCT-82	K	PL	7019974-0-DBP
FC	7019974-ML003	D	(B)	ASSEMBLY NUMBER:	TOP DOCUMENT NUMBER:	FILE NAME:		EDIT #
AJ	7019974-ML004	E	(C)	B-DD-PC100-0-0	D-AD-7019974-0-DBU	Z5346K.PLS		4
AJ	7019974-ML005	F	(D)	RELEASE DATE: 09-OCT-85				
AJ	7019974-ML006	H	(E)					
AJ	7019974-ML007	J	(F)					
AJ	7019974-ML008	K						

"THIS DRAWING AND THE SPECIFICATIONS CONTAINED HEREIN ARE CONFIDENTIAL AND PROPRIETARY. THEY ARE THE PROPERTY OF DIGITAL EQUIPMENT CORPORATION AND SHALL NOT BE REPRODUCED OR COPIED OR USED IN WHOLE OR IN PART AS THE BASIS FOR THE MANUFACTURE OR SALE OF ITEMS WITHOUT WRITTEN PERMISSION. THIS IS AN UNPUBLISHED WORK PROTECTED UNDER THE FEDERAL COPYRIGHT LAWS."

LINE	ITEM	TOP DOCUMENT	PART NUMBER	MIN REV	DESCRIPTION	QTY PER VARIATION							
						00	01	02	03	04	05	06	07
					VARIATION REVISION LEVEL:	E3	B3	B3	B3	B3	B3	B3	A1
31	31		23022E5-00		E5-02	-	1	-	-	-	-	-	-
32	32		23037E3-00		E3-03	-	1	-	-	-	-	-	-

D I G I T A L	TITLE	SECTION A OF A	SIZE	CODE	DOCUMENT NUMBER	REV
	CPU ASSY, RAINBOW 100		K	PL	7019974-0-DBP	K