

UD33 DISK CONTROLLER  
TECHNICAL MANUAL



3545 Harbor Boulevard  
Costa Mesa, California 92626  
(714) 662-5600 TWX 910-595-2521

UD3351001-00 Rev B  
April, 1987

## **WARNING**

This equipment generates, uses and can radiate radio frequency energy, and if not installed and used in accordance with the technical manual, may cause interference to radio communications. It has been tested and found to comply with the limits for a Class A computing device pursuant to Subpart J of Part 15 of Federal Communications Commission (FCC) Rules, which are designed to provide reasonable protection against such interference when operating in a commercial environment. Operation of this equipment in a residential area is likely to cause interference in which case the user at his own expense will be required to take whatever measures may be required to correct the interference.

Copyright (C) 1987 Emulex Corporation

The information in this manual is for information purposes and is subject to change without notice.

Emulex Corporation assumes no responsibility for any errors which may appear in the manual.

Printed in U.S.A.

# TABLE OF CONTENTS

Section	Title	Page
<b>ONE</b>	<b>GENERAL DESCRIPTION</b>	
1.1	Introduction .....	1-1
1.2	Subsystem Overview .....	1-2
1.2.1	Mass Storage Control Protocol (MSCP) .....	1-2
1.3	Physical Organization Overview .....	1-3
1.4	Subsystem Models and Options .....	1-4
1.4.1	Subsystem Options .....	1-5
1.5	Features .....	1-6
1.5.1	Microprocessor Design .....	1-6
1.5.2	Configuration Flexibility .....	1-6
1.5.3	Self-Test .....	1-6
1.5.4	Error Control .....	1-6
1.5.5	Seek Optimization .....	1-6
1.5.6	Command Buffer .....	1-7
1.5.7	Firmware Verify .....	1-7
1.5.8	Adaptive DMA .....	1-7
1.5.9	Rotational Position Sensing (RPS) .....	1-7
1.6	Compatibility .....	1-8
1.6.1	Diagnostics .....	1-8
1.6.2	Operating Systems .....	1-8
1.6.3	Hardware Compatibility .....	1-9
<b>TWO</b>	<b>CONTROLLER SPECIFICATION</b>	
2.1	Overview .....	2-1
2.2	General Specification .....	2-1
2.3	Environmental Specification .....	2-3
2.4	Physical Specification .....	2-3
2.5	Electrical Specification .....	2-4
<b>THREE</b>	<b>PLANNING THE INSTALLATION</b>	
3.1	Overview .....	3-1
3.2	MSCP Subsystem Configuration .....	3-1
3.2.1	Architecture .....	3-1
3.2.2	Peripheral Numbering .....	3-2
3.2.3	Peripheral Capacities .....	3-2
3.3	A DEC MSCP Subsystem .....	3-2
3.4	The UD33 MSCP Subsystem .....	3-3
3.4.1	Logical Unit Number .....	3-5
3.4.2	UD33 MSCP Subsystem Logical Configuration .....	3-5
3.4.2.1	Logical Devices .....	3-6
3.4.2.2	Device Numbers .....	3-7
3.5	Operating Systems, Device and Vector Addresses .....	3-8
3.5.1	RSTS/E Operating Systems (V8.0) .....	3-10
3.5.1.1	Adding MSCP Support .....	3-11
3.5.2	RT-11 Operating Systems (V5.1 and above) .....	3-11
3.5.2.1	Installing a Single MSCP Controller .....	3-11
3.5.2.2	Installing Multiple MSCP Controllers .....	3-12
3.5.2.3	Disk Partitioning .....	3-13
3.5.3	RSX-11M Operating Systems (V4.0 and above) .....	3-15
3.5.3.1	Installing a Single MSCP Controller .....	3-15
3.5.3.2	Installing Multiple MSCP Controllers .....	3-15

## TABLE OF CONTENTS

Section	Title	Page
3.5.4	RSX-11M-PLUS Operating Systems (V2.1 and above) .....	3-18
3.5.4.1	Installing a Single MSCP Controller .....	3-18
3.5.4.2	Installing Multiple MSCP Controllers .....	3-19
3.5.5	VMS Operating Systems .....	3-22
3.5.6	Ultrix-11 Operating Systems .....	3-25
3.5.6.1	Sysgen .....	3-25
3.5.6.2	Special Files .....	3-26
3.5.6.3	Newfs .....	3-27
3.5.6.4	Volcopy .....	3-27
3.5.6.5	Copying a Bootstrap .....	3-28
3.5.7	Ultrix-32 Operating Systems .....	3-28
3.5.7.1	The Kernel .....	3-28
3.5.7.2	Special Files .....	3-28
3.5.7.3	Autoconfigure .....	3-29
3.5.7.4	Disk Partitions .....	3-29
3.5.7.5	Disk Partition Modifications .....	3-30
3.5.7.6	Default Partition Modifications .....	3-30
3.5.7.7	Newfs .....	3-31
3.5.7.8	Suggestions/Warnings .....	3-32
<b>FOUR      INSTALLATION</b>		
4.1	Overview .....	4-1
4.1.1	Subsystem Configurations .....	4-1
4.1.2	DIP Switch Types .....	4-4
4.1.3	Maintaining FCC Class A Compliance .....	4-4
4.2	Inspection .....	4-5
4.2.1	UD33 Disk Controller Inspection .....	4-5
4.3	Disk Controller Setup .....	4-5
4.3.1	Disk Controller Bus Address .....	4-8
4.3.2	Interrupt Vector Address .....	4-9
4.3.3	Options .....	4-9
4.3.3.1	MSCP Device Number .....	4-9
4.3.3.2	DMA Burst Delay .....	4-10
4.3.3.3	Adaptive DMA .....	4-10
4.3.3.4	Index and Sector .....	4-11
4.4	Physical Installation .....	4-11
4.4.1	System Preparation .....	4-11
4.4.2	Slot Selection .....	4-11
4.4.3	NPG Signal Jumper .....	4-12
4.4.4	Mounting .....	4-14
4.5	SMD Disk Drive Preparation .....	4-14
4.5.1	Drive Placement.....	4-14
4.5.2	Local/Remote.....	4-14
4.5.3	Sectoring.....	4-14
4.5.4	Drive Numbering .....	4-15
4.5.5	Sector and Index Signals.....	4-15
4.6	Cabling .....	4-15
4.6.1	Same Cabinet Installations .....	4-17
4.6.1.1	A Cable.....	4-18
4.6.1.2	B Cable .....	4-19

# TABLE OF CONTENTS

Section	Title	Page
4.6.1.3	Grounding .....	4-20
4.6.2	Separate Cabinets .....	4-20
4.7	Integration and Operation .....	4-28
4.7.1	Drive Formatting .....	4-28
4.7.2	Testing .....	4-28
4.7.3	Operation .....	4-29
4.7.3.1	Indicators .....	4-29
<b>FIVE</b>	<b>TROUBLESHOOTING</b>	
5.1	Overview .....	5-1
5.2	Service .....	5-1
5.3	Fault Isolation Procedure .....	5-2
5.4	Power-up Self-Diagnostic .....	5-5
5.5	Fatal Error Codes .....	5-6
<b>SIX</b>	<b>REGISTERS AND PROGRAMMING</b>	
6.1	Overview .....	6-1
6.2	Overview of MSCP Subsystem .....	6-1
6.3	Programming .....	6-2
6.3.1	Command Support .....	6-2
6.3.1.1	Minimal Disk Subset .....	6-2
6.3.1.2	Diagnostic and Utility Protocol (DUP) .....	6-2
6.4	Registers .....	6-3
6.5	NOVRAM Commands .....	6-6
6.5.1	Drive Geometry Parameters .....	6-6
6.5.2	Loading the NOVRAM .....	6-15
6.6	Bootstrap Command .....	6-17
6.7	Format Drive Command .....	6-19
6.8	Verify Drive Command .....	6-22
<b>SEVEN</b>	<b>FUNCTIONAL DESCRIPTION</b>	
7.1	Overview .....	7-1
7.2	UD33 Disk Controller Architecture .....	7-1
<b>EIGHT</b>	<b>INTERFACES</b>	
8.1	Overview .....	8-1
8.2	UNIBUS Interface .....	8-1
8.2.1	Interrupt Priority Level .....	8-3
8.2.2	Register Address .....	8-3
8.2.3	NPR Operations .....	8-3
8.3	UD33 SMD-E Disk Drive Interface .....	8-3
8.3.1	I/O Cables .....	8-4
8.3.1.1	A Cable .....	8-4
8.3.1.2	B Cable .....	8-4
8.3.2	I/O Signal Processing .....	8-6
8.3.2.1	Tag/Bus Signals .....	8-6
8.3.2.2	Discrete Signals .....	8-6

# TABLE OF CONTENTS

Section	Title	Page
<b>APPENDICES</b>		
<b>A</b>	<b>AUTOCONFIGURE, CSR, AND VECTOR ADDRESSES</b>	
A.1	Overview .....	A-1
A.2	Determining the CSR Address for use with Autoconfigure .....	A-1
A.3	Determining the Vector Address for use with Autoconfigure .....	A-3
A.4	A System Configuration Example .....	A-6
<b>B</b>	<b>PROM REMOVAL AND REPLACEMENT</b>	
B.1	Overview .....	B-1
B.2	Exchanging PROMS .....	B-1
<b>C</b>	<b>UTILITIES AND SOFTWARE</b>	
C.1	Overview .....	C-1
<b>D</b>	<b>DISK DRIVE CONFIGURATION PARAMETERS</b>	
D.1	Overview .....	D-1
D.2	Configuration Tables .....	D-2
D.3	Special Considerations for Large Capacity Drives .....	D-21

## LIST OF FIGURES

Figure	Title	Page
1-1	UD33 Subsystem Configuration.....	1-3
1-2	UD33 Disk Controller .....	1-4
1-3	Sales Order Example .....	1-5
2-1	UD33 Disk Controller Dimensions .....	2-4
3-1	DEC MSCP Subsystem Logical and Physical Configuration.....	3-3
3-2	UD33 Subsystem Logical and Physical Configuration... ..	3-4
3-3	Sample SHOW CONFIGURATION .....	3-22
3-4	CONFIGURE Command Listing .....	3-24
4-1	UD33 Configuration Reference Sheet.....	4-2
4-2	Switch Setting Example .....	4-4
4-3	UD33 Disk Controller Assembly .....	4-6
4-4	NPG Jumper Location .....	4-13
4-5	Drive Cabling .....	4-16
4-6	Cable I/O Adapter Panel.....	4-22
4-7	Rack-Mount Panel.....	4-22
4-8	Rack-Mount Drive Cabling Configuration .....	4-24
4-9	Freestanding Drive Cabling Configuration .....	4-26
5-1	Fault Isolation Chart .....	5-3
6-1	Drive Configuration Parameter Block Worksheet .....	6-7
7-1	UD33 Block Diagram .....	7-2

## LIST OF TABLES

Table	Title	Page
1-1	Basic Contents .....	1-4
1-2	UD33 Options .....	1-5
2-1	UD33 Disk Controller General Specification .....	2-1
2-2	UD33 Disk Controller Environmental Specification .....	2-3
2-3	UD33 Disk Controller Physical Specification .....	2-3
2-4	UD33 Disk Controller Electrical Specification .....	2-4
3-1	Subsystem Configuration Example .....	3-8
3-2	Device Names .....	3-10
4-1	UD33 Switch Definitions and Factory Configuration .....	4-7
4-2	UD33 Jumper Definitions and Factory Configuration.....	4-8
4-3	Controller Address Switch Settings .....	4-8
4-4	Bootstrap MSCP Device Number .....	4-10
4-5	Unshielded Cables .....	4-18
4-6	Shielded Cables and Cable I/O Adapter Panels.....	4-21
5-1	Flow Chart Symbol Definitions .....	5-2
5-2	LED Error Codes .....	5-5
5-3	MSCP Fatal Error Codes.....	5-6
5-4	Error Codes Unique to Firmware Formatting .....	5-7
6-1	UD33 IP and SA Registers.....	6-4
8-1	UNIBUS Interface Pin Assignments .....	8-2
8-2	SMD-E Interface Connections .....	8-5

# LIST OF TABLES

Table	Title	Page
8-3	A Cable Signal Line Functions .....	8-7
8-4	B Cable Signal Line Functions .....	8-11
A-1	SYSGEN Device Table .....	A-2
A-2	Priority Ranking for Floating Vectors Addresses .....	A-4
A-3	CSR and Vector Address Example .....	A-6
A-4	Floating CSR Address Assignment Example .....	A-7
C-1	Utility and Diagnostic Software .....	C-1
D-1	CDC RSD 9710 NOVRAM Parameters .....	D-2
D-2	CDC RSD 9710 and 9715-340 Sector Setting .....	D-3
D-3	CDC 9715-340 NOVRAM Parameters .....	D-4
D-4	CDC 9715-340 and 9710 Sector Setting .....	D-4
D-5	CDC 9715-515 NOVRAM Parameters .....	D-5
D-6	CDC 9715-515 Sector Setting .....	D-5
D-7	CDC 9771 XMD NOVRAM Parameters (Single Unit) .....	D-6
D-8	CDC 977x XMD Sector Setting .....	D-6
D-9	CDC 9771 XMD NOVRAM Parameters (Split Units) .....	D-7
D-10	CDC 9772 XMD NOVRAM Parameters (Single Unit) .....	D-8
D-11	CDC 9772 XMD NOVRAM Parameters (Split Units) .....	D-9
D-12	CDC 9772-13 XMD NOVRAM Parameters (Single Unit) .....	D-10
D-13	CDC 9772-13 XMD NOVRAM Parameters (Split Units) .....	D-11
D-14	Fujitsu M2351A NOVRAM Parameters .....	D-12
D-15	Fujitsu M2351A Sector Setting .....	D-12
D-16	Fujitsu M2361A NOVRAM Parameters (Single Unit) .....	D-13
D-17	Fujitsu M2361A Sector Setting .....	D-13
D-18	Fujitsu M2361A NOVRAM Parameters (Split Units) .....	D-14
D-19	Fujitsu M2333 NOVRAM Parameters .....	D-15
D-20	Fujitsu M2333 Sector Setting .....	D-16
D-21	CDC 9720 EMD NOVRAM Parameters .....	D-17
D-22	CDC 9720 EMD Sector Setting .....	D-18
D-23	CDC 9720 EMD Switch A213 Setting .....	D-18
D-24	NEC 2362 NOVRAM Parameters (Single Unit) .....	D-19
D-25	NEC 2362 NOVRAM Parameters (Split Units) .....	D-20
D-26	NEC 2362 Sector Setting .....	D-20



## **EMULEX PRODUCT WARRANTY**

**CONTROLLER WARRANTY:** Emulex warrants for a period of twelve (12) months from the date of shipment that each Emulex controller product supplied shall be free from defects in material and workmanship.

**CABLE WARRANTY:** All Emulex provided cables are warranted for ninety (90) days from the time of shipment.

The above warranties shall not apply to expendable components such as fuses, bulbs, and the like, nor to connectors, adaptors, and other items not a part of the basic product. Emulex shall have no obligation to make repairs or to cause replacement required through normal wear and tear or necessitated in whole or in part by catastrophe, fault or negligence of the user, improper or unauthorized use of the product, or use of the product in such a manner for which it was not designed, or by causes external to the product, such as but not limited to, power failure or air conditioning. Emulex's sole obligation hereunder shall be to repair or replace any defective product, and, unless otherwise stated, pay return transportation cost for such replacement.

Purchaser shall provide labor for removal of the defective product, shipping charges for return to Emulex and installation of its replacement. **THE EXPRESSED WARRANTIES SET FORTH IN THIS AGREEMENT ARE IN LIEU OF ALL OTHER WARRANTIES, EXPRESSED OR IMPLIED, INCLUDING WITHOUT LIMITATION, ANY WARRANTIES OF MERCHANTABILITY OR FITNESS FOR A PARTICULAR PURPOSE, AND ALL OTHER WARRANTIES ARE HEREBY DISCLAIMED AND EXCLUDED BY EMULEX. THE STATED EXPRESS WARRANTIES ARE IN LIEU OF ALL OBLIGATIONS OR LIABILITIES ON THE PART OF EMULEX FOR DAMAGES, INCLUDING BUT NOT LIMITED TO SPECIAL, INDIRECT, OR CONSEQUENTIAL DAMAGES ARISING OUT OF, OR IN CONNECTION WITH THE USE OR PERFORMANCE OF THE PRODUCT.**

**RETURNED MATERIAL:** Warranty claims must be received by Emulex within the applicable warranty period. A replaced product, or part thereof, shall become the property of Emulex and shall be returned to Emulex at Purchaser's expense. All returned material must be accompanied by a **RETURN MATERIALS AUTHORIZATION (RMA)** number assigned by Emulex.

TABLET PRODUCT INFORMATION

CONSUMER INFORMATION: This product is a prescription drug. It is intended for use only as directed by your healthcare provider. Do not use if you are pregnant or breastfeeding.

WARNING: Allergic reactions may occur. Discontinue use if you experience hives, difficulty breathing, or swelling of the face, lips, tongue, or throat.

Directions: Take one tablet orally with water, once daily. Do not crush or chew the tablet. The tablet should be swallowed whole. Do not take more than the recommended dose. If you miss a dose, take it as soon as you remember. Do not take two doses at once. If you are taking other medications, consult your healthcare provider for potential interactions.

Side Effects: Common side effects include dizziness, headache, and nausea. If you experience severe side effects, contact your healthcare provider immediately.

**BLANK**

Storage: Store at room temperature (20°C to 25°C). Protect from moisture and light. Do not store in the bathroom or near a sink.

Expiration: This product expires on 12/31/2025. Do not use after the expiration date.

---

## **1.1 Introduction**

---

The UD33 Disk Controller, designed and manufactured by Emulex Corporation, is a MSCP-compatible controller that interfaces with SMD disk drives. This manual is designed to help you install and use your UD33 Disk Controller. A description of the eight sections and four appendices follows:

- **Section 1 (General Description):** This section contains an overview of the UD33 Disk Controller.
- **Section 2 (Controller Specification):** This section contains the general, environmental, physical, and electrical specifications for the UD33 Disk Controller.
- **Section 3 (Planning the Installation):** This section contains the information necessary to plan your installation, including MSCP subsystem and operating system considerations.
- **Section 4 (Installation):** This section describes the procedure for setting up and physically installing the controller. Switch setting and cabling information is included.
- **Section 5 (Troubleshooting):** This section describes fault isolation procedures that can be used to pinpoint trouble spots.
- **Section 6 (Registers and Programming):** This section describes the UD33's UNIBUS registers and presents an overview of Mass Storage Control Protocol (MSCP).
- **Section 7 (Functional Description):** This section describes the controller architecture.
- **Section 8 (Interfaces):** This section describes the controller UNIBUS and SMD interfaces.
- **Appendix A (Autoconfigure):** This appendix describes the DEC algorithm for the assignment of CSR addresses and vector addresses.
- **Appendix B (PROM Removal and Replacement):** This appendix contains instructions for removing and replacing the firmware so that the user can upgrade the UD33 Disk Controller in the field.
- **Appendix C (Utilities and Diagnostics):** This appendix lists the software utilities and diagnostics for the UD33.

- **Appendix D (Disk Drive Configuration Parameters):** This appendix contains configuration parameters for supported SMD disk drives.

---

## 1.2 Subsystem Overview

---

The UD33 Disk Controller connects high-capacity storage peripherals to the UNIBUS on computers manufactured by Digital Equipment Corporation (DEC). The UD33 implements DEC's Mass Storage Control Protocol (MSCP) to provide a software-transparent interface for the host DEC computer. To provide traditional Emulex flexibility in peripheral selection, the UD33 uses the industry standard SMD interface as its peripheral interface. The UD33 supports the extended cylinder addressing functions of the SMD-E (extended) interface. SMD-E and SMD-0 interfaces are electrically and logically compatible. For more information on the UD33's SMD interface, see subsection 8.3.

---

### 1.2.1 Mass Storage Control Protocol (MSCP)

---

MSCP is a software interface designed to lower the host computer's mass storage overhead by offloading much of the work associated with file management into an intelligent mass storage subsystem. In concert with SMD compatible peripherals, the UD33 provides just such a subsystem. The UD33 relieves the host CPU of many file maintenance tasks. The UD33 Disk Controller performs these MSCP functions: error checking and correction, bad block replacement, seek optimization, command prioritizing and ordering, and data mapping.

This last feature is, perhaps, the most important. This feature allows the host computer's operating system software to store data in logical blocks that are identified by simple logical block numbers (LBNs). Thus, the host does not need to have detailed knowledge of the peripheral's geometry (cylinders, tracks, sectors, etc.). This feature also makes autoconfiguration a simple matter. During system start-up, the host operating system queries the subsystem to find its capacity (the number of logical blocks that the subsystem can store).

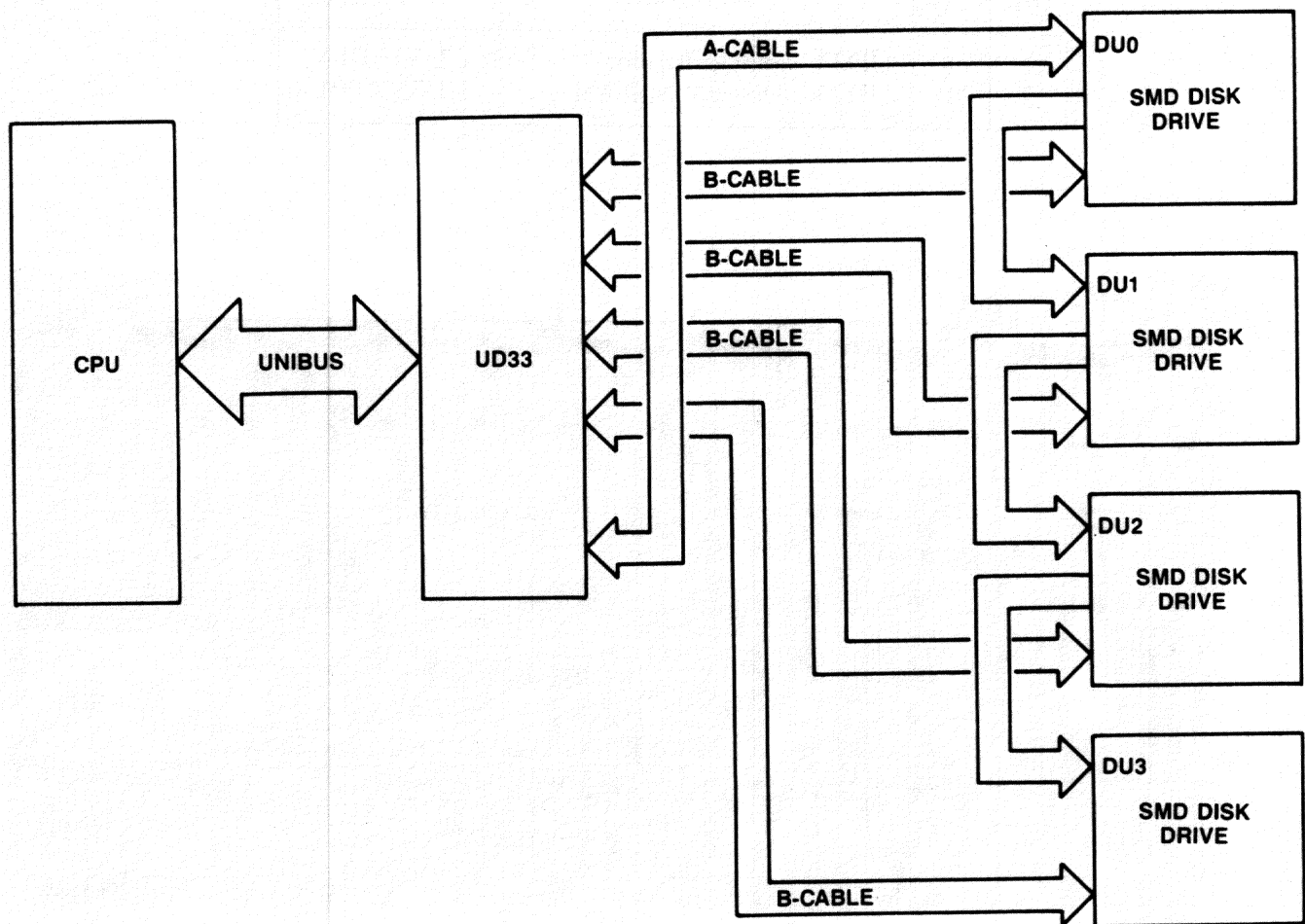
Because the host operating system does not need to have detailed knowledge of its mass storage subsystem, the complexity of the operating system itself has been reduced. This reduction comes about because only one or two software modules are required to allow many different subsystems to be connected to a host.

## 1.3 Physical Organization Overview

The UD33 Disk Controller is a modular, microprocessor-based disk controller that connects directly to the host computer's UNIBUS backplane. The microprocessor architecture ensures excellent reliability and compactness.

The UD33 is contained on a single hex-wide printed circuit board assembly (PCBA) that plugs directly into an UNIBUS backplane slot.

The UD33 supports up to four physical or eight logical disk drives. Aggregate data storage capacities are limited only by the capacities of the peripherals. Figure 1-1 shows one possible SMD configuration.



UD3301-1116

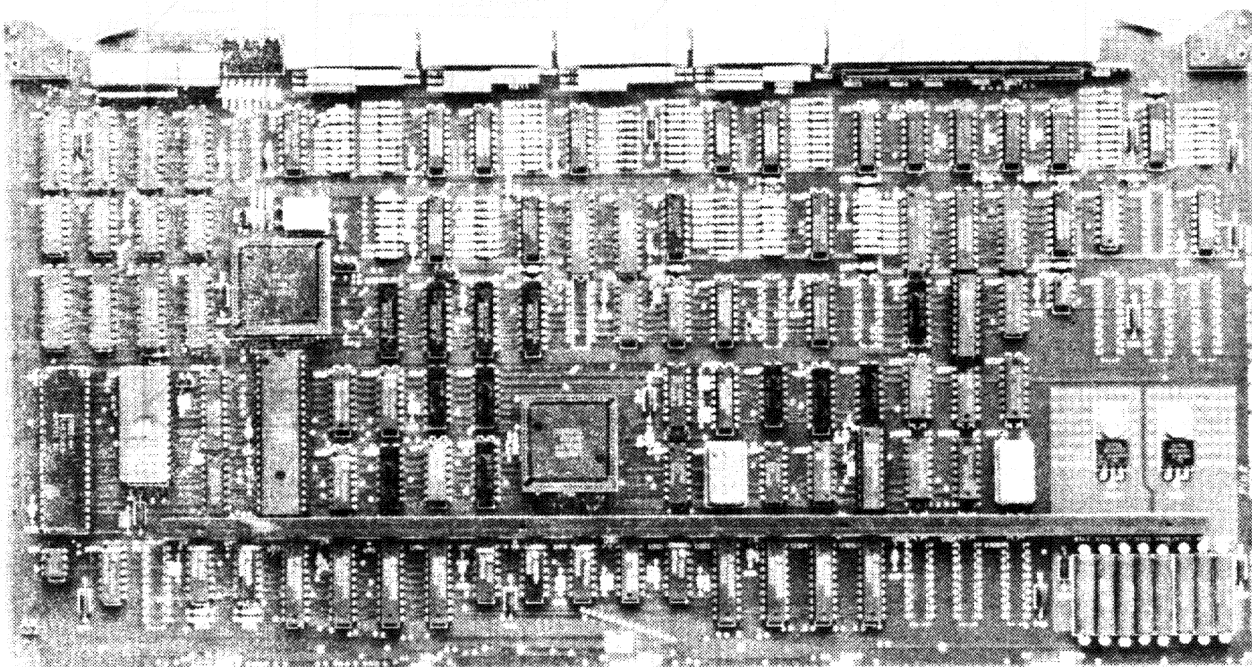
Figure 1-1. UD33 Subsystem Configuration

## 1.4 Subsystem Models and Options

The UD33 Disk Controller, with appropriate peripherals, provides a DEC MSCP-compatible mass storage subsystem. The UD33 is pictured in Figure 1-2. The UD33 is identified by a top level assembly tag that is glued to the 8031 microprocessor chip on the PWB. The UD33 top level assembly number is given in Table 1-1 along with the part numbers of the items that are delivered with the UD33.

Table 1-1. Basic Contents

Item	Qty	Description	Part Number
1	1	UD33 Disk Controller	UD3310401
2	1	UD33 Technical Manual	UD3351001



UD3301-1117

Figure 1-2. UD33 Disk Controller

**1.4.1 Subsystem Options**

Table 1-2 lists the options that can be ordered to tailor your UD33 to your particular application. Software programs are offered in distribution kits that include media and documentation.

Table 1-2. UD33 Options

Option	Description
PX995180n-0n <sup>1</sup>	Includes the Emulex LSI/PDP MSCP Formatter Program (QMX8). Distribution kit is per customer order.
VX9951801	Includes the Emulex VAX MSCP Disk Formatter Program (FVD32M).
SU7811212-0n <sup>2</sup>	SMD A-Cable, shielded
SU7811219-0n <sup>2</sup>	SMD A-Cable, extension
SU7811213-0n <sup>2</sup>	SMD B-Cable, shielded
SU7811218-0n <sup>2</sup>	SMD-B Cable, extension
SU1110201	Cable I/O Adapter Panel
CU2220301	Rack-Mount Panel
SU7813104	Peripheral Cable Adapter Panel Kit
<sup>1</sup> See Appendix C for distribution kit part numbers. <sup>2</sup> See Table 4-7 for part numbers for specific cable lengths.	

Options are specified as separate line items on a sales order. An example of an actual sales order is shown in Figure 1-3.

Itm	Qty	Model Number	Comment/Description
1.	1	UD33	Disk Controller implementing DEC MSCP with SMD drives.
2.	1	VX9951801	Includes the Emulex VAX MSCP Disk Formatter Program (FVD32M).

Figure 1-3. Sales Order Example

---

## **1.5 Features**

---

The following features enhance the usefulness of the UD33 Disk Controller.

---

### **1.5.1 Microprocessor Design**

---

The UD33 design incorporates an eight-bit, high-performance CMOS microprocessor to perform all controller functions. The microprocessor approach provides a reduced component count, high reliability, easy maintainability, and the microprogramming flexibility that allows MSCP to be implemented without expensive, dedicated hardware.

---

### **1.5.2 Configuration Flexibility**

---

The UD33 Disk Controller can support many different SMD drive configurations by using the UD33's Nonvolatile Random Access Memory (NOVRAM). The UD33's NOVRAM can be programmed for four physical drive configurations. In addition, the user can change these stored drive configurations by altering the NOVRAM using Emulex software or the UD33's extended command set. The flexibility of the UD33 configuration NOVRAM eliminates the need for special configuration PROMs and field upgrade kits.

---

### **1.5.3 Self-Test**

---

The UD33 incorporates an internal self-test routine that exercises all parts of the microprocessor, the on-board memory, the disk formatter chip, the Buffer Controller II, and the Host Adapter Controller (HAC). Although this test does not completely test all circuitry, successful execution indicates a very high probability that the disk controller is operational. If the UD33 fails the self-test, it leaves three light-emitting diodes (LEDs) ON and sets an error bit in the Status and Address (SA) register (base address plus two).

---

### **1.5.4 Error Control**

---

The UD33, in conjunction with the operating system software, presents error-free media to the host, without host intervention. The disk controller corrects soft errors and runs retry operations, then the operating system replaces errors through dynamic bad block replacement.

---

### **1.5.5 Seek Optimization**

---

The UD33 is able to pool the various seeks that need to be performed and determine the most efficient order in which to do them. This is an especially important feature in heavily loaded systems; the controller's ability to arrange seeks in the optimum order saves time and makes the system more efficient.



---

**1.5.6 Command Buffer**

---

The UD33 contains a buffer that is able to store 13 MSCP commands. This large buffer allows the subsystem to achieve a higher throughput and to operate at a very efficient level.

---

**1.5.7 Firmware Verify**

---

The firmware-activated verify/replace option allows users with no diagnostic load capability to prepare their disk drives for operating system use.

---

**1.5.8 Adaptive DMA**

---

During each DMA data transfer burst, the UD33 monitors the UNIBUS for other pending DMA requests and suspends its own DMA activity to permit other DMA transfers to occur. The host processor programs the DMA burst length during the MSCP initialization sequence or the UD33 defaults to 16 words per burst. In addition, the UD33 firmware design includes a switch selectable DMA burst delay to avoid data late conditions. Because of these adaptive DMA techniques, the UD33 ensures that CPU functions, including interrupt servicing, are not locked out for excessive periods of time by high-speed disk transfers.

---

**1.5.9 Rotational Position Sensing (RPS)**

---

This feature increases the performance of the disk subsystem during data transfer when two or more drives are active. RPS allows the controller to determine which drive is closest to the sector involved in the data transfer. By not waiting for a particular drive to find the sector necessary to begin the operation, the controller increases the overall throughput to the subsystem.

RPS is programmable by drive using NOVRAM word 9, which also contains the Configuration Bits. The performance gain is seen only when two or more drives are used simultaneously. Single-drive subsystems should have RPS disabled.

---

## 1.6 Compatibility

---

This section describes the diagnostic programs, operating systems, and hardware components which are compatible with the UD33.

---

### 1.6.1 Diagnostics

---

Emulex offers two diagnostic programs to support the use and maintenance of the UD33:

- Emulex PDP/LSI MSCP Formatter Program (QXMX8, Rev C)
- Emulex VAX MSCP Disk Formatter Program (FVD32M, V2.7 or higher)

---

### 1.6.2 Operating Systems

---

The UD33 implements MSCP. Emulex supports its implementation of MSCP beginning with the indicated version of the following DEC operating systems:

Operating System	Version
VMS	3.2
RSTS/E	8.0
RSX-11M	4.1
RSX-11M-PLUS	2.1
RT-11	5.1
Ultrix-11	3.0
Ultrix-32	1.1

---

### 1.6.3 Hardware Compatibility

---

The UD33 Disk Controller complies with DEC UNIBUS protocol.

The disk drives supported by the UD33 are not media-compatible with comparable DEC MSCP products.

The UD33 Disk Controller supports hard-sectored disk drives that use the SMD interface. The UD33 also supports the extended cylinder addressing functions of the SMD-E interface (see subsection 8.3). The UD33 supports disk transfer rates up to 3.0M bytes per second. Emulex has certified the following disk drives for full support:

- Control Data Corporation (CDC) 9457 LMD
- CDC 9710-80
- CDC 9715-340
- CDC 9715-515
- CDC 9720
- CDC 9771 XMD
- CDC 9772
- Fujitsu M2333
- Fujitsu M2351A
- Fujitsu M2361A
- NEC 2362

BLANK

## 2.1 Overview

This section contains the general, environmental, physical, electrical, and port specifications for the UD33 Disk Controller.

Subsection	Title
2.2	General Specification
2.3	Environmental Specification
2.4	Physical Specification
2.5	Electrical Specification

## 2.2 General Specification

Table 2-1 contains a general specification for the UD33 Disk Controller.

Table 2-1. UD33 General Specification

Parameter	Description														
<b>FUNCTION</b>	Providing mass data storage to Digital Equipment Corporation (DEC) computers that use the UNIBUS														
<b>Logical CPU Interface</b>	Emulates DEC's Mass Storage Control Protocol (MSCP)														
Diagnostic Software	Emulex PDP/LSI MSCP Disk Formatter Program (QXMX8 ) and VAX MSCP Disk Formatter Program (FVD32M)														
Operating System Compatibility	<table style="width: 100%; border: none;"> <tr> <td style="width: 60%;">VMS</td> <td>V3.2 and above</td> </tr> <tr> <td>RSTS/E</td> <td>V8.0 and above</td> </tr> <tr> <td>RSX-11M</td> <td>V4.1 and above</td> </tr> <tr> <td>RSX-11M PLUS</td> <td>V2.1 and above</td> </tr> <tr> <td>RT-11</td> <td>V5.1 and above</td> </tr> <tr> <td>Ultrix-11</td> <td>V3.0 and above</td> </tr> <tr> <td>Ultrix-32</td> <td>V1.1 and above</td> </tr> </table>	VMS	V3.2 and above	RSTS/E	V8.0 and above	RSX-11M	V4.1 and above	RSX-11M PLUS	V2.1 and above	RT-11	V5.1 and above	Ultrix-11	V3.0 and above	Ultrix-32	V1.1 and above
VMS	V3.2 and above														
RSTS/E	V8.0 and above														
RSX-11M	V4.1 and above														
RSX-11M PLUS	V2.1 and above														
RT-11	V5.1 and above														
Ultrix-11	V3.0 and above														
Ultrix-32	V1.1 and above														

*(continued on next page)*

Table 2-1. UD33 General Specification (continued)

Parameter	Description																
<b>CPU I/O Technique</b>	Direct Memory Access (DMA), including adaptive techniques and block mode																
<b>INTERFACE</b>																	
<b>CPU Interface</b>	<b>UNIBUS</b>																
Device Base Address																	
Standard Alternates	<table border="0"> <tr> <td>17772150<sub>8</sub></td> <td>17760364<sub>8</sub></td> </tr> <tr> <td>17772154<sub>8</sub></td> <td>17760370<sub>8</sub></td> </tr> <tr> <td>17760334<sub>8</sub></td> <td>17760374<sub>8</sub></td> </tr> <tr> <td>17760340<sub>8</sub></td> <td>17760400<sub>8</sub></td> </tr> <tr> <td>17760344<sub>8</sub></td> <td>17760404<sub>8</sub></td> </tr> <tr> <td>17760350<sub>8</sub></td> <td>17760410<sub>8</sub></td> </tr> <tr> <td>17760354<sub>8</sub></td> <td>17760414<sub>8</sub></td> </tr> <tr> <td>17760360<sub>8</sub></td> <td>17760420<sub>8</sub></td> </tr> </table>	17772150 <sub>8</sub>	17760364 <sub>8</sub>	17772154 <sub>8</sub>	17760370 <sub>8</sub>	17760334 <sub>8</sub>	17760374 <sub>8</sub>	17760340 <sub>8</sub>	17760400 <sub>8</sub>	17760344 <sub>8</sub>	17760404 <sub>8</sub>	17760350 <sub>8</sub>	17760410 <sub>8</sub>	17760354 <sub>8</sub>	17760414 <sub>8</sub>	17760360 <sub>8</sub>	17760420 <sub>8</sub>
17772150 <sub>8</sub>	17760364 <sub>8</sub>																
17772154 <sub>8</sub>	17760370 <sub>8</sub>																
17760334 <sub>8</sub>	17760374 <sub>8</sub>																
17760340 <sub>8</sub>	17760400 <sub>8</sub>																
17760344 <sub>8</sub>	17760404 <sub>8</sub>																
17760350 <sub>8</sub>	17760410 <sub>8</sub>																
17760354 <sub>8</sub>	17760414 <sub>8</sub>																
17760360 <sub>8</sub>	17760420 <sub>8</sub>																
Vector Address	Programmable																
Priority Level	BR5																
Bus Loading	1 DC Load, 2.5 AC Loads																
<b>Peripheral Interface</b>	SMD-E (Extended) up to 24 MHz SMD-0																
Disk Transfer Rate	Up to 3.0M bytes per second																
Number of Physical Drives Supported	4																
Drive Sectoring	Hard Sectored																
Maximum Cable Lengths																	
A Cable (daisy-chain)	35 ft (10.5 m) cumulative																
B Cable (radial)	25 ft (7.5 m)																

## 2.3 Environmental Specification

Table 2-2 contains the environmental specifications for the UD33 Disk Controller.

Table 2-2. UD33 Environmental Specification

Parameter	Description
<b>OPERATING TEMPERATURE</b>	10°C (50°F) to 40°C (104°F), where maximum temperature is reduced 1.8°C per 1000 meters (1°F per 1000 feet) altitude
<b>RELATIVE HUMIDITY</b>	10% to 90% with a maximum wet bulb of 28°C (82°F) and a minimum dewpoint of 2°C (3.6°F)
<b>COOLING</b>	6 cubic feet per minute
<b>HEAT DISSIPATION</b>	82 BTU per hour

## 2.4 Physical Specification

Table 2-3 contains the physical specifications for the UD33 Disk Controller.

Table 2-3. UD33 Physical Specification

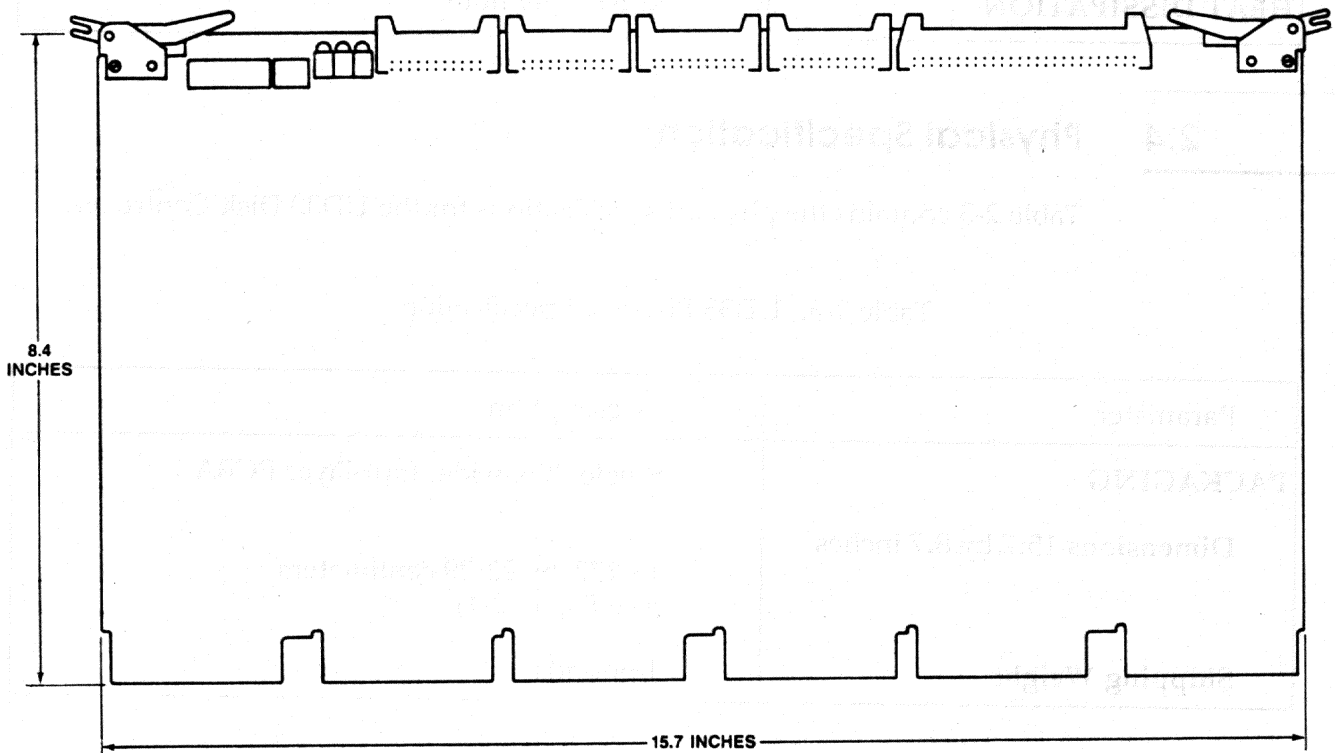
Parameter	Description
<b>PACKAGING</b>	Single, hex-wide, four-layer PCBA
<b>Dimensions</b> 15.7 by 8.7 inches	13.172 by 22.09 centimeters (see Figure 2-1)
<b>Shipping Weight</b>	4 pounds

## 2.5 Electrical Specification

Table 2-4 lists and describes the electrical specification for the UD33 Disk Controller.

Table 2-4. UD33 Electrical Specification

Parameter	Description
POWER	5 VDC $\pm$ 5%, 2.6 amperes (A)



UD3301-1118

Figure 2-1. UD33 Disk Controller Dimensions



---

## **3.1 Overview**

---

This section is designed to help you plan the installation of your UD33 Disk Controller. For a smoother installation with less system down time, take a few minutes to plan the configuration of your subsystem before beginning its installation. This section contains UD33 application examples and configuration procedures. The subsections are listed in the following table:

Subsection	Title
3.2	MSCP Subsystem Configuration
3.3	A DEC MSCP Subsystem
3.4	The UD33 MSCP Subsystem
3.5	Operating Systems, Device and Vector Addresses

---

## **3.2 MSCP Subsystem Configuration**

---

The following paragraphs describe MSCP Subsystem concepts, including architecture, unit numbering, and capacities.

---

### **3.2.1 Architecture**

---

MSCP is a protocol designed by DEC for mass storage subsystems using Digital Storage Architecture (DSA). In a MSCP mass storage subsystem, DSA comprises three functional and physical layers:

- **Host Layer.** An MSCP class driver in the host system receives requests from the operating system and then relays data and commands to the controller in MSCP message packets.
- **Controller Layer.** The MSCP controller communicates with both the host layer and the mass storage layer. The controller transmits MSCP message packets to and from the host MSCP class-driver and performs data-handling functions for the mass storage devices. The UD33 functions as the controller layer.
- **Mass Storage Layer.** The mass storage peripheral devices communicate with the MSCP controller and send or receive data as specified by the MSCP controller.

MSCP defines the form of the message packets that are exchanged by the host and the MSCP controller. The UD33 implements MSCP in mass storage subsystems using SMD as the peripheral interface.

---

### **3.2.2 Peripheral Numbering**

---

Each MSCP peripheral on the system is identified to the operating system by an MSCP device name. An MSCP device name consists of a device class identifier and a unit number. The device class is indicated by a two-letter prefix; MSCP disk devices are indicated by the prefix DU.

With the exception of VMS and Ultrix systems, DEC operating systems require that all MSCP peripherals on a system have different MSCP device numbers, even if they are managed by separate MSCP controllers at separate UNIBUS device addresses. For example, under RSX-11M-PLUS, if there are three peripherals on the first MSCP controller (at 772150<sub>8</sub>), then the first peripheral on the second MSCP controller (in floating CSR address space) is numbered DU3.

---

### **3.2.3 Peripheral Capacities**

---

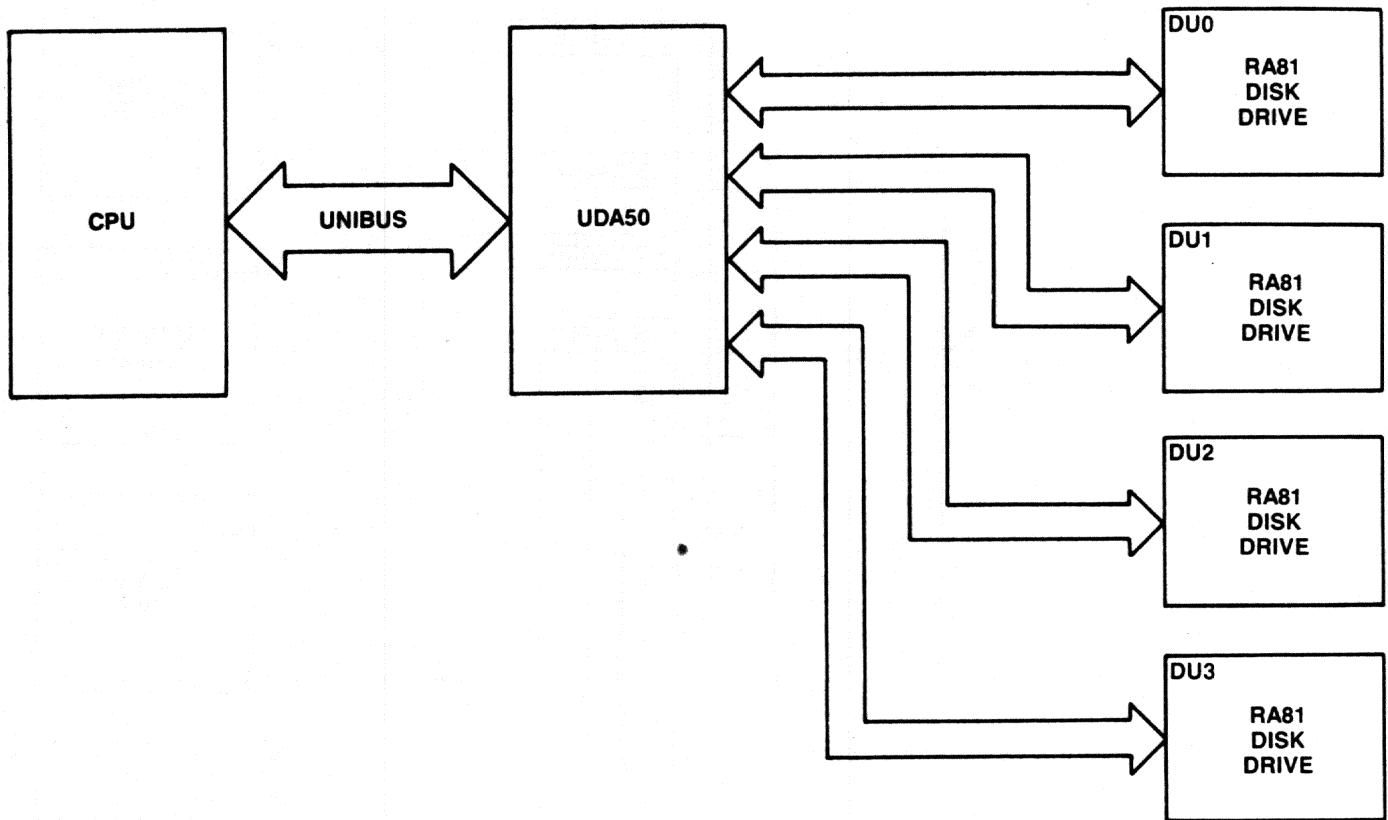
The capacity of peripherals in an MSCP subsystem is measured in logical blocks. Each logical block contains 512 bytes of data. The MSCP controller reports the capacity of a peripheral to the operating system. For example, a Fujitsu M2361A (689M byte) disk drive supported by the UD33 is able to store 1,122,116 logical blocks.

---

## **3.3 A DEC MSCP Subsystem**

---

Figure 3-1 shows the organization of a typical DEC MSCP subsystem for the UNIBUS. The MSCP host and controller functions (see section 3.2.1) are combined in a single piece of hardware, in this example the DEC UDA50. The UDA50 plugs directly into the UNIBUS and is attached to RA81 disk drives via a disk-drive-native interface.

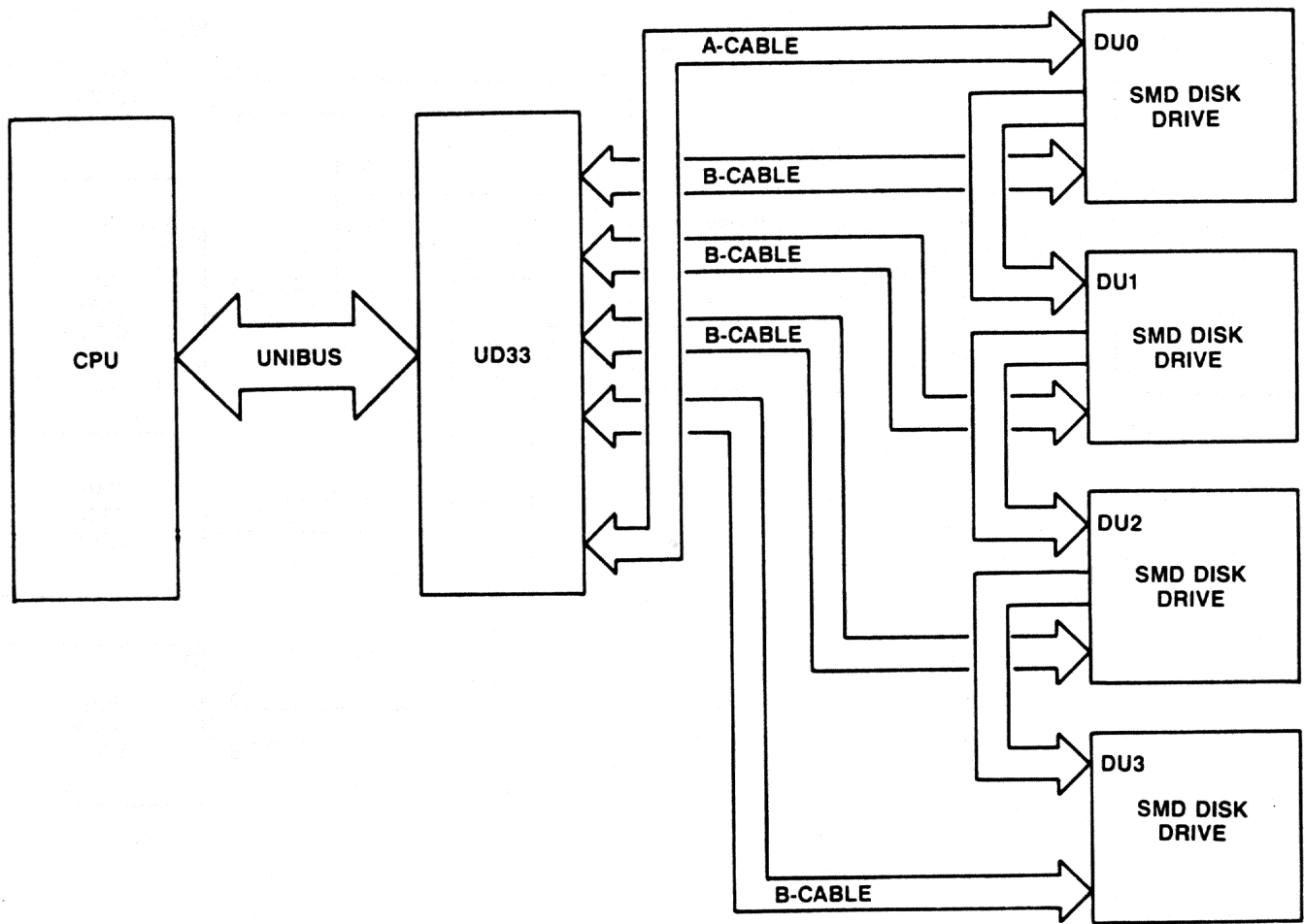


UD3301-0555

Figure 3-1. DEC MSCP Subsystem Configuration

### 3.4 The UD33 MSCP Subsystem

Figure 3-2 illustrates a typical UD33 MSCP subsystem. As with the DEC implementation, the UD33 is connected directly to the UNIBUS. However, the UD33 uses the SMD peripheral interface to communicate with one to four disk drives.



UD3301-1116

Figure 3-2. UD33 Subsystem Configuration

The MSCP subsystem provided by the UD33 is analogous to the DEC MSCP subsystem. As in the DEC subsystem, the UD33 MSCP controller connects directly to the UNIBUS and performs many of the same functions as the UDA50. The UD33, as an MSCP controller, receives requests from the host, optimizes the requests, generates SMD commands to perform the operations, transfers data to and from the host, transfers data to and from the device, and buffers data as necessary. When the command is complete, the controller sends a response to the host.

The UD33 also performs all of the functions of the peripheral controller, including serialization and deserialization of data. The UD33 connects to the peripherals it supports via the SMD interface.

---

### 3.4.1 Logical Unit Number

---

As noted in subsection 3.2.2, most DEC operating systems do not allow any MSCP disk devices on one system to have the same unit number, even though they may be controlled by separate MSCP controllers at different base addresses.

DEC MSCP-type drives can accept unit identification plugs that define addresses from 0 to 255. Disk drives controlled by the UD33 do not have this flexibility; the UD33 can detect only four unique drive addresses at its SMD interface - 0, 1, 2, and 3. To prevent a unit-number conflict between the UD33's drives and another MSCP controller's drives, the UD33 employs switches to change the drive logical unit number that is reported to the operating system.

*Example 3-1*      *An MSCP controller at a standard base address is supporting four disk drives; a UD33 at an alternate base address is supporting three disk drives. An offset of 4 is specified for the first drive on the UD33. This causes the UD33 disk with address 0 to be reported to the operating system as logical unit number (LUN) 4. The UD33 disk 1 is reported as LUN 5, and UD33 disk 2 is reported as LUN 6.*

The offset for the logical unit number is specified by using switches SW1-2 through SW1-4 on the UD33. See subsection 4.3.3.1 for switch setting information.

---

### 3.4.2 UD33 MSCP Subsystem Logical Configuration

---

This subsection explains the algorithm used by the UD33 to map logical MSCP peripherals onto the physical disk drives provided by the UD33 subsystem.

---

**3.4.2.1 Logical Devices**

---

The phrase "logical MSCP disk drive" refers to the disk drive as it appears to the operating system. That is, the operating system associates a disk drive of known type (in this case, an MSCP disk drive) with a unit number and a capacity. The UD33 MSCP controller presents that information to the operating system after initialization on command.

Because the MSCP controller is responsible for establishing the relationship between unit number and capacity, it is possible for the controller to divide its physical disk drives into more than one logical unit. For example, if a physical disk drive has a capacity of 1,402,832 blocks, the MSCP controller can divide that capacity into two parts of 701,416 blocks each. (Each part may have a different capacity.) Each part is then assigned a separate unit number, and the unit number and capacity of each part is presented to the operating system.

The operating system then sees the two parts as separate disk drives, even though the data is actually stored on the same physical drive. The two parts are called logical disk drives, and the numbers that identify them are called MSCP unit numbers.

A drive configuration that supports multiple logical units is specified by the data that is stored in the configuration Nonvolatile Random Access Memory (NOVRAM). Information for programming the configuration NOVRAM is given in Section 6, Registers and Programming. The field that causes a drive to be divided into multiple logical units is called the Split Code (word 11). There are four types of split codes: no split, cylinder split, head split, and reverse head split:

- When no split is specified, the entire physical drive is one logical drive.
- Cylinder split codes divide a physical drive by cylinders. A Starting Cylinder Offset field in the NOVRAM specifies the first cylinder of the second logical drive. Alternate cylinders are divided evenly between drives. For example, a Fujitsu M2351A, which has 842 cylinders, might be divided so that Drive 0 is assigned cylinders 0 through 420 and Drive 1 assigned cylinders 421 through 841. In this example, the Starting Cylinder Offset has a value of 421.

- Head split codes divide the drive by data heads. A Starting Head Offset field in the NOVRAM specifies the first head of the second logical drive. When the drive is split by data heads, each logical drive has its own platter or group of platters; consequently, the lower blocks of one logical drive are in the same physical cylinder as the lower blocks of the other logical drive. For example, a CDC 9457 LMD might be divided so that Drive 0 is assigned heads 0 and 1 and Drive 1 is assigned heads 2 and 3. The Starting Head Offset has a value of 2. In this example, the CDC 9457 removable media is assigned logical unit number (LUN) 0 and the fixed media assigned LUN 1.

Reverse head split codes also divide the drive by data heads, but assign the lower numbered heads to drive 1 and the higher numbered heads to drive 0. If you entered a reverse split code for the previous CDC 9457 example, Drive 0 is assigned heads 2 and 3 and Drive 1 is assigned heads 0 and 1. The Starting Head Offset has a value of 2. One advantage of the reverse head split codes is that you may use a fixed media unit as your system disk without modifications to the operating system.

The head splitting technique has a performance advantage over the cylinder method. Typically, most disk accesses are made in the lower cylinders of a disk because many system-oriented files are located there, including the drive's directory. Because the low (and high) cylinders are vertically aligned between the two logical drives when the head splitting technique is used, switching between head-split logical drives requires less head movement than switching between cylinder-split drives.

---

#### 3.4.2.2

#### Device Numbers

The drives supported by the UD33 are assigned MSCP device names by the operating system. As described earlier, an MSCP device name consists of a device class prefix and a device unit number. Drives are assigned MSCP device numbers beginning with zero (0). The conventions for numbering multiple MSCP drives vary by operating system.

Under RSX-11M, RSX-11M-PLUS and RT-11, DU0 is assigned to the first drive on the first MSCP controller, where "first" means the controller located at the standard base address. Unit number 1 would be the second drive on the first controller, etc. If there are two MSCP controllers on the system, the units installed on the second begin numbering at  $n + 1$ , where  $n$  equals the highest unit number of the first MSCP controller.

RSTS/E requires that drives supported by a standard MSCP controller be numbered starting at 0 and drives supported by an alternate MSCP controller be numbered starting at 4.

Because MSCP device names under VMS designate the supporting MSCP controller, the unit numbering is less restricted. For example, two drives which are supported by a standard MSCP controller might be DUA0 and DUA1 and a third drive supported by an alternate MSCP controller might be DUB0.

Table 3-1 is an MSCP unit numbering example under the RSX-11M operating system which shows the MSCP number versus the actual physical addresses assigned to all the components. The physical disk drive (unit number 0) of the second controller is split into two logical units. Note that two device names are associated with that drive.

Table 3-1. Subsystem Configuration Example

UD33 Address	Device Description	Drive Unit Number	Device Name
772150	Fujitsu M2361A	0	DU0
	Fujitsu M2361A	1	DU1
760334 (Floating)	CDC 9772 XMD (head split)	0	DU2 DU3
	Fujitsu M2351A	1	DU4

**NOTE**

All of the MSCP peripherals supported by the UD33 use the same device identifier - RA81. Unique device identifiers are not available to the host because of the nature of the NOVRAM.

---

### **3.5 Operating Systems, Device and Vector Addresses**

---

Before the installation of any peripheral device can be considered complete, the computer's operating system must be made aware of the new resource. The information provided in this section is intended to supplement your DEC operating system documentation and to be used as an aid in planning the installation of your UD33.



An operating system can be made aware of a new resource in three ways:

- The operating system can poll the computer's I/O device address space.
- The device can be manually connected using `CONNECT` or `CONFIGURE` statements.
- The user can tell the operating system about a device during an interactive `SYSGEN` procedure.

The first technique is referred to as `autoconfigure`, and it is essentially automatic. The second technique requires that `CONNECT` statements be placed in a special command file that is executed each time the computer is bootstrapped. The third technique, interactive `SYSGEN`, creates a configuration file that the operating system references when the system is bootstrapped. All techniques accomplish the same result: they associate a specific device type with a bus address and interrupt vector.

Most recent versions of DEC operating systems use `autoconfigure` to some extent, and try to follow the same rules. The RT-11 operating system does not use `autoconfigure`, but can locate devices that reside at a standard address. There are some differences among operating systems, however, especially with regard to MSCP controllers at alternate UNIBUS addresses. The following paragraphs address these differences for each supported operating system. This discussion includes information on choosing appropriate UNIBUS device addresses and interrupt vectors for the subsystem.

The following operating system discussions give procedures for choosing UNIBUS addresses for the first MSCP controller and any subsequent controllers in the host configuration. No instructions are provided for programming the chosen address into the UD33. See subsection 4.5.1 for detailed switch setting information.

MSCP-type controllers contain two registers that are visible to the UNIBUS I/O page. They are the Initialization and Polling (IP) register (base address) and the Status and Address (SA) register (base address plus 2). The IP register, the CSR address, UNIBUS address and the base address all refer to the same register. All of the operating systems described in the following subsections use the standard UNIBUS address of  $1772150_8$  for the first controller on the host system.

Vector addresses for MSCP controllers are not selected by using switches on the controller, but are programmed into the controller during the Initialization process. Many operating systems select the vector address automatically. If an operating system requires manual input of the vector, the procedure notes that fact.

Again, although DEC has attempted to standardize treatment of peripherals by operating systems, some differences do exist. Table 3-2 lists and describes the device names assigned to MSCP devices under seven operating systems. Two controller names and two drive names are given to indicate the numbering scheme.

Table 3-2. Device Names

Operating System	Controller First, Second	Drives Supported by First Controller
RSTS/E	RU0, RU1	DU0, DU1
RSX-11M	----, ----	DU0, DU1
RSX-11M-PLUS	DUA, DUB	DU0, DU1
RT-11	Port0, Port1	DU0, DU1
VMS	PUA, PUB	DUA0, DUA1
Ultrix-32	uda0, uda1	ra0, ra1

The information regarding operating systems in these subsections is subject to change. The following discussions are based on three assumptions:

- This is the first pass that is being made through SYSGEN; therefore, no saved answer file exists. Answer N (no) to questions such as "Use as input saved answer file?"
- Your host system configuration conforms to the standard LSI-11 device configuration algorithm (otherwise autoconfigure results are not reliable).
- You are generating a mapped version of the operating system on the appropriate hardware (unless you are using RT-11).

---

### 3.5.1 RSTS/E Operating Systems (V8.0 and above)

---

RSTS/E scans the hardware to determine configuration each time the system is bootstrapped. The scanning program is called INIT.SYS and it relies on the same hardware configuration conventions as do the other DEC operating systems.

The RSTS/E operating system can support two MSCP controllers (version 9.2 supports four controllers). The first MSCP controller must be located at the standard UNIBUS address, 772150<sub>8</sub>. According to DEC documentation, the second unit should be located in floating address space. For an alternate UD33, Emulex suggests specifying a UNIBUS address of 760334<sub>8</sub> using the HARDWARE option of the INIT.SYS program.

The INIT.SYS program uses a user-specified table, located in the currently installed monitor, to make exceptions to the autoconfigure algorithm. This table is modified by the HARDWARE option of the INIT.SYS program. Use of this table allows an MSCP controller to be placed at virtually any address on the I/O page. Note that this table must be reset any time a new monitor is installed. Emulex suggests using an UNIBUS address of 760334<sub>8</sub> for an alternate UD33. An MSCP controller must be located at the standard address to be a bootstrap device.

Interrupt vector addresses are assigned to the MSCP controllers by INIT.SYS and programmed into the devices during initialization.

---

### 3.5.1.1 Adding MSCP Support

---

Support for an MSCP controller must be included in a monitor at SYSGEN time. To include support for an MSCP controller in a RSTS/E monitor, respond to the SYSGEN question "number of MSCP controllers" with the number of MSCP controllers on the system.

Units connected to MSCP controllers will be accessible to an on-line RSTS/E system only after the monitor is successfully SYSGENed and installed with the INSTALL sub-option of the INIT.SYS program, and the units have been successfully initialized with the DSKINT sub-option of INIT.SYS.

---

## 3.5.2 RT-11 Operating Systems (V5.1 and above)

---

The RT-11 Operating System supports up to four MSCP controllers with up to 256 devices (total) on the four controllers. The following paragraphs discuss the UNIBUS and vector addresses for MSCP controllers under RT-11 in host systems with only one MSCP controller and in those with more than one controller. Disk partitioning, a unique feature of RT-11 that is applicable regardless of the number of controllers, is also discussed.

---

### 3.5.2.1 Installing a Single MSCP Controller

---

If your host system includes only one MSCP controller, install it with a UNIBUS address of 772150<sub>8</sub>. RT-11 will find and install the handler (driver) for that controller. In single MSCP controller configurations, it is not necessary to run SYSGEN. You may use one of the pregenerated monitors that are provided with the RT-11 Distribution. Emulex recommends that you modify the system start-up command file, STARTx.COM, to properly partition the disk drives. See subsection 3.5.2.3.

---

### 3.5.2.2 Installing Multiple MSCP Controllers

---

If your host system includes more than one MSCP controller, you may either modify the MSCP handler as described in the RT-11 Software Support Manual or perform a SYSGEN. The following procedure describes the SYSGEN technique (user input is in **boldface** print):

1. Initiate SYSGEN:

**IND SYSGEN <return >**

Answer the next group of questions appropriately.

2. Indicate that you want the system to use the start-up command file when booting:

Do you want the start-up indirect file (Y)? **Y <return >**

The start-up command file is required to allow additional MSCP controller UNIBUS addresses to be specified and to partition the disks consistently when the system is bootstrapped. Answer the next set of questions appropriately.

3. Indicate that you want MSCP support when the Disk Options question appears:

Enter the device name you want support for [dd]: **DU <return >**

4. Indicate the number of MSCP controllers on your system in response to this question:

How many ports are to be supported (1)? **2 <return >**

RT-11 refers to individual MSCP controllers or controllers as ports. Each port has its own UNIBUS and vector addresses.

5. Specify support for all other devices in your host system configuration as well. Indicate that there are no more devices by entering a period:

Enter the device name you want support for [dd]: **. <return >**

6. You must specify the addresses of all MSCP controllers (ports) using the SET CSR keyboard command. To ensure that this is done consistently and automatically on power-up, you must add the commands to the system start-up command file, STARTx.COM. The x stands for the monitor that is being used, where x is S, F, or X for single-job, foreground/ background, or extended memory, respectively. Edit the command file to include the following statements:

```

SET DU CSR = 772150           (Default)
SET DU CSR2 = 7603348       (Floating)
SET DU VECTOR = 154          (Default)
SET DU VEC2 = 300
    
```

The UNIBUS for the second device can be any unused address in the I/O page which is supported by UD33 address switch settings; the vector address can be any unused address in the vector page. Default statements are not required.

7. Complete SYSGEN according to the DEC documentation.

---

### 3.5.2.3

---

#### Disk Partitioning

RT-11 is unable to handle drives with a capacity of more than 65,535 blocks (33.5M bytes). To allow drives with larger capacities to be used, RT-11 allows individual physical drives to be partitioned into multiple logical drives. This is done by assigning as many logical drive names (DU0, DU1, etc.) to a physical drive as that drive can support. The statements that make that assignment should be placed in the system start-up command file. This ensures that the drives are automatically partitioned every time the system is bootstrapped and that the partitions are always the same. Use the following procedure to determine the total number of logical drives to be assigned to each physical drive.

1. Determine the drive configuration(s) that you intend to use. You need to know the LUN of each logical drive and the data storage capacity (in logical blocks) of each logical unit. Refer to Appendix D for the logical block capacity of supported SMD drives. If the UD33 is at an alternate UNIBUS address (not 772150<sub>8</sub>), then you must specify an MSCP device number by using switches SW1-2 through SW1-4 (see subsection 4.3.3.2.2).
2. Divide the capacity for each MSCP Unit by 65,535. If the result is a number greater than 1, then that MSCP Unit should be partitioned into multiple logical units. (The last partition on a disk may be smaller than 65,535 blocks.) Round the result up to the nearest whole number. That whole number equals the number of logical disks into which that MSCP unit should be partitioned.

3. You must then include a series of statements in the system start-up command file, STARTx.COM, that assigns logical names to each partition. Each statement has the following format:

SET DU $n$  UNIT= $y$  PART= $x$  PORT= $z$

where  $n$  is the logical device name,  $y$  is the physical MSCP unit number,  $x$  is the partition number, and  $z$  is the controller number. You must do this for each partition on each drive, including drives that can hold only one partition.

*Example:* You have selected a Fujitsu M2351A drive that has a capacity of 787,156 blocks.

$$\frac{787,156}{65,535} = 12.01 \text{ (13 logical units)}$$

*(RT-11 only allows a maximum of 8 addressable units.)*

*Dividing the unit capacities by 65,535 and rounding the result up to the nearest whole number gives the number of logical units into which each should be partitioned.*

*You begin assigning logical names to the partitions beginning with DU0. For the previous example, the assignments are made as follows:*

```
SET DU0 UNIT=0 PART=0 PORT=0
SET DU1 UNIT=0 PART=1 PORT=0
SET DU2 UNIT=0 PART=2 PORT=0
SET DU3 UNIT=0 PART=3 PORT=0
SET DU4 UNIT=0 PART=4 PORT=0
SET DU5 UNIT=0 PART=5 PORT=0
SET DU6 UNIT=0 PART=6 PORT=0
SET DU7 UNIT=0 PART=7 PORT=0
```

#### NOTE

The port command is used only if more than one controller was specified at SYSGEN time.

*Modify the system start-up command file to include the disk partitioning statements.*

---

### 3.5.3 RSX-11M Operating Systems (V4.0 and above)

---

RSX-11M SYSGEN is an interrogative program that allows a complete, running RSX-11M system to be configured for a particular hardware environment. SYSGEN is well documented in the RSX-11M System Generation and Installation Guide, and you are expected to rely primarily on that manual. This explanation is provided only to remove some ambiguities that the installation of the UD33 may present.

SYSGEN supports autoconfigure, and MSCP controllers are detected by autoconfigure. However, autoconfigure detects only the MSCP controller that is located at the standard UNIBUS address. Additional MSCP controllers at alternate addresses must be attached to the operating system manually.

---

#### 3.5.3.1 Installing a Single MSCP Controller

---

If you have only one UD33, install it at the standard address (772150<sub>8</sub>) and use autoconfigure to connect your peripherals. The procedure given in the RSX-11M System Generation and Configuration Guide is adequate for this purpose.

---

#### 3.5.3.2 Installing Multiple MSCP Controllers

---

If you have two MSCP controllers, say a DEC MSCP controller and a UD33, you must perform a complete manual initialization. We recommend that the DEC MSCP controller be installed at the standard UNIBUS address. Locating the UD33 at the alternate UNIBUS address does not prevent its being used as the system device. Both MSCP controllers are connected to the operating system by using the following procedure.

1. Invoke SYSGEN.

```
> SET /UIC=[200,200]<return>  
> @SYSGEN<return>
```

2. To indicate that you want to use autoconfigure, answer Y (yes) to the following question:

```
* Autoconfigure the host system hardware?  
[Y/N]: Y<return>
```

3. To indicate that you do not want to override autoconfigure results, answer N (no) to this question:

\* Do you want to override Autoconfigure results? [Y/N]: N <return >

Answer the rest of the questions in the SETUP section appropriately, and continue to the next section, TARGET CONFIGURATION. In TARGET CONFIGURATION, the defaults presented for the first group of questions should be accurate for your system because autoconfigure was requested.

4. In response to the question regarding devices, indicate that you have two MSCP-type controllers:

\* Devices: DU = 2 <return >  
Devices: . <return >

This entry supersedes the value of 1 that autoconfigure has determined. Typing a period (.) terminates device input.

Continue through the next four sections, HOST CONFIGURATION, EXECUTIVE OPTIONS, TERMINAL DRIVER OPTIONS, and SYSTEM OPTIONS, answering questions appropriately.

5. When you reach the PERIPHERAL OPTIONS section, SYSGEN asks you questions that pertain only to the MSCP devices on your system. (Unless you indicated that you wished to override other autoconfigure results when you responded to the Devices question, SYSGEN asks questions on those devices.)

The first question requests information about the controller's interrupt vector address, UNIBUS address, the number of DU-type disk drives (there is no default value for this parameter). Version 4.0 also inquires about the number of command rings and the number of response rings; later versions do not. The question is asked twice, once for controller 0 and once for controller 1, because we have specified two DU-type controllers.

\* DU controller 0 [D:154,172150] [S]:

The standard vector address for MSCP controllers is  $154_8$ . The vector for a second unit should be allocated from floating vector address space. Any unused vector between  $300_8$  and  $774_8$  can be allocated. See Appendix A for a description of DEC's algorithm for assigning floating vectors.



The standard UNIBUS address for MSCP controllers is 772150<sub>8</sub>. Emulex recommends that second unit be located at in floating UNIBUS address space. See Appendix A for a description of the DEC algorithm for assigning floating addresses.

The number of DU-type disk drives depends on the configuration that you have selected for the UD33, or on the number of drives that are attached to a DEC MSCP controller.

When you select a configuration for the UD33, you are taking into account the number of physical disk drives that you are attaching to the UD33's SMD interface. When you select a configuration, you are also specifying a logical arrangement for the UD33 MSCP subsystem. Some configurations split one physical drive into two logical drives to make file management easier. You determine the configuration of each SMD disk drive when you program the UD33's NOVRAM; see Section 6.

The following types of disk drives can be attached to DEC MSCP controllers:

- RX50
- RD51
- RD52
- RD53
- RC25
- RA60
- RA80
- RA81

The RX50 drive contains two 5.25-inch floppy diskettes; count an RX50 as two drives. The RC25 has both fixed and removable hard media; count an RC25 as two drives.

RSX-11M V4.0 supports up to eight command and eight response rings; the number of command and response rings that you specify depends on your application. Four command and four response rings are reasonable and adequate for most applications. For further information about command and response rings, refer to the MSCP documentation listed in subsection 6.3 of this manual. In most instances, further information is not required to install the UD33.

6. With RSX-11M V4.0, SYSGEN then asks you to specify the type of disk drive(s) on each controller:

\* DU contr 0 unit 0. is an RA60/80/81/RC25/RD51/RX50  
[D:RA81] <return >

For the DEC MSCP controller, indicate the appropriate peripherals.

For the UD33, indicate that you have one RA81 for each logical disk drive.

RSX-11M does not tolerate gaps in sequence; the unit numbers must be contiguous. In addition, the unit numbers specified for each controller must be the same as those reported by the controller during initialization.

7. Complete the SYSGEN procedure according to DEC documentation.

---

### **3.5.4 RSX-11M-PLUS Operating Systems (V2.1 and above)**

---

RSX-11M-PLUS SYSGEN is an interrogative program that allows a complete, running RSX-11M-PLUS system to be configured for a particular hardware environment. SYSGEN is well documented in the RSX-11M-PLUS System Generation and Installation Guide, and you are expected to rely primarily on that manual. This explanation is provided only to remove some ambiguities that the installation of the UD33 may involve.

SYSGEN supports autoconfigure, and MSCP controllers are detected by autoconfigure. However, autoconfigure detects only the MSCP controller that is located at the standard UNIBUS address. Additional MSCP controllers at alternate addresses must be attached to the operating system manually.

---

#### **3.5.4.1 Installing a Single MSCP Controller**

---

If you have only one UD33, install it at the standard address (772150<sub>8</sub>) and use autoconfigure to connect your peripherals. The procedure given in the RSX-11M-PLUS System Generation and Configuration Guide is adequate for this purpose.

### 3.5.4.2 Installing Multiple MSCP Controllers

If your initial system configuration includes two MSCP controllers, connect the alternate MSCP controller to the operating system during the initial SYSGEN. We recommend that you use autoconfigure to connect the first controller at the standard address (772150<sub>8</sub>). We recommend that the DEC MSCP controller be installed at the standard UNIBUS address; locating the UD33 at the alternate UNIBUS address does not prevent its being used as the system device.

If you are adding the second MSCP controller to the system configuration, use the Add a Device option of SYSGEN or a complete SYSGEN. The following procedure describes the Add a Device process (user input is in **boldface** print:

1. Invoke SYSGEN.  

```
> SET /UIC = [200,200] < return >  
> @SYSGEN < return >
```
2. To indicate that you want to do a subset of the SYSGEN procedure, answer N (no) to the following questions:
  - \* Do you want to do a complete SYSGEN?  
[Y/N D:Y]: **N** < return >
  - \* Do you want to continue a previous SYSGEN from some point? [Y/N D:Y]: **N** < return >
3. To indicate that you want to execute a specific module of the SYSGEN procedure, answer Y (yes) to this question:
  - \* Do you want to do any individual sections of SYSGEN? [Y/N D:Y]: **Y** < return >
4. Select the Add a Device section of SYSGEN:
  - \* Which sections would you like to do?  
[S R:0.-15.]: **H** < return >

Type the letter H to select the Add a Device section. SYSGEN now asks you all of the questions in the Choosing Peripheral Configuration section.

The questions that SYSGEN asks pertain to the type and number of controllers that are installed on your system. There is one question for each type of controller that RSX-11M-PLUS can support. Answer 0 (zero) for all types of controllers until you are prompted for the number of UDA-type devices.

5. When you are asked to specify the number of MSCP-type devices, answer appropriately:
  - \* How many MSCP disk controllers do you have? [D R:0.-10. D:0.] 2 <return >
  
6. Give the total number of MSCP disk drive (on all controllers) installed on the system.
  - \* How many MSCP disk drives do you have? [D R:0.-n. D:1.] 5 <return >

The answer to this question depends on the configuration that you have selected for the UD33 and on the number of drives that are attached to any DEC MSCP controllers.

When you select a configuration for the UD33, you are taking into account the number of physical disk drives that you are attaching to the UD33's SMD interface. When you select a configuration, you are also specifying a logical arrangement for the UD33 MSCP subsystem. Some configurations split one physical drive into two logical drives to make file management easier. You determine the configuration of each SMD disk drive when you program the UD33's NOVRAM (see Section 6).

The following types of disk drives can be attached to DEC MSCP controllers:

- RX50
- RD51
- RD52
- RD53
- RC25
- RA60
- RA80
- RA81

The RX50 drive contains two 5.25-inch floppy diskettes; count an RX50 as two drives. The RC25 drive has both fixed and removable hard media; count an RC25 as two drives.

RSX-11M-PLUS V3.0 then asks:

What is the physical unit number of DUn?  
[0 R:0-377 D:n]:

7. SYSGEN then asks you to specify controllers per disk drives.

- \* To which DU controller is DU0: connected?  
[S R:1-1]: A <return >

This question is asked as many times as the number of MSCP drives that you have indicated are on the system. RSX-11M-PLUS does not tolerate gaps in sequence; the MSCP unit numbers must be contiguous. In addition, the unit numbers specified for each controller must be the same as those reported by the controller during initialization. Use A for the primary controller and B for the alternate controller.

8. Enter the vector address for each MSCP controller:

- \* Enter the vector address of DUA  
[O R:60-774 D:154]

The standard vector address for MSCP controllers is  $154_8$ . The vector for a second unit should be allocated from floating vector address space. Any unused vector between  $300_8$  and  $774_8$  can be allocated. See Appendix A for a description of DEC's algorithm for assigning floating vectors.

9. Enter the CSR address for each MSCP controller:

- \* What is its CSR address?  
[O R:160000-177700 D:172150]

The standard CSR address for MSCP controllers is  $772150_8$ . Emulex recommends that the second unit be located in floating CSR address space. See Appendix A for a description of the DEC algorithm for assigning floating addresses.

---

### 3.5.5 VMS Operating Systems (V3.2 and above)

---

VAX/VMS supports MSCP controllers at the standard address, 772150<sub>8</sub>, and in floating address space. VMS has a software utility called SYSGEN which can be used to determine the UNIBUS address and interrupt vector address for any I/O devices to be installed on the computer's UNIBUS. A running VAX/VMS computer system is required in order to use this utility.

If you do not have access to a running system, you must determine the UNIBUS addresses and vector addresses manually (although autoconfigure can still be used to connect the devices to the computer automatically on power-up). See Appendix A for a description of the algorithm used by SYSGEN to determine UNIBUS addresses.

The following procedure tells how to use VMS SYSGEN to determine UNIBUS addresses and interrupt vectors.

1. Login to the system manager's account. Run the SYSGEN utility:

```
$ RUN SYS$SYSTEM:SYSGEN <return >
SYSGEN >
```

The SYSGEN > prompt indicates that the utility is ready to accept commands.

2. Obtain a list of devices already installed on the VAX UNIBUS by typing:

```
SYSGEN > SHOW/CONFIGURATION <return >
```

```
Name: PUA  Units: 1  Nexus: 0  CSR: 772150  Vector1: 154  Vector2: 000
Name: TTA  Units: 1  Nexus: 0  CSR: 760100*  Vector1: 300*  Vector2: 304*
Name: TXA  Units: 1  Nexus: 0  CSR: 760500*  Vector1: 310*  Vector2: 000
```

\*Floating address or vector

Note: All addresses and vectors are expressed in octal notation.

Figure 3-3. Sample SHOW CONFIGURATION

SYSGEN lists by logical name the devices already installed on the UNIBUS. Make a note of these other devices with floating addresses (greater than 760000<sub>8</sub>) or floating vectors (greater than 300<sub>8</sub>) that you plan to re-install with your UD33.

3. To determine the UNIBUS addresses and vectors that autoconfigure expects for a particular device type, execute the CONFIGURE command:

```
SYSGEN> CONFIGURE <return>  
DEVICE >
```

Specify the UNIBUS devices to be installed by typing their UNIBUS names at the DEVICE prompt (the device name for MSCP controllers under VMS is UDA).

```
DEVICE > UDA,2 <return>  
DEVICE > DHV11 <return>  
DEVICE > DZ11 <return>
```

A comma separates the device name from the number of devices of that type to be installed. The number of devices is specified in decimal.

In addition to the UD33, you need only specify devices that have floating addresses or vectors. Devices with fixed addresses or vectors do not affect the address or vector assignments of devices with floating addresses and vectors.

4. Indicate that all devices have been entered by pressing the <ctrl> and Z keys simultaneously:

```
DEVICE > ^Z
```

SYSGEN lists the addresses and vectors of the devices entered in the format shown in Figure 3-4.

```
SYSGEN> CONFIGURE
DEVICE> DZ11
DEVICE> DHV11
DEVICE> UDA,2
DEVICE> ^Z
Device: UDA      Name: PUA      CSR: 772150      Vector: 154      Support: yes
Device: DZ11     Name: TTA      CSR: 760100*    Vector: 300*    Support: yes
Device: UDA      Name: PUB      CSR: 760354*    Vector: 310      Support: yes
Device: DHV11    Name: TXA      CSR: 760500*    Vector: 320      Support: yes
```

\*Floating address or vector

Note: All addresses and vectors are expressed in octal notation.

*Figure 3-4. CONFIGURE Command Listing*

5. Note the CSR addresses listed for the UNIBUS devices in floating address space. Program the listed addresses into non-Emulex devices as instructed by the manufacturer's documentation. For the UD33, program the address given for the UD33 (lowest numerical address) into the board as described in subsection 4.3.1.
6. Complete SYSGEN according to the DEC documentation.

If you want to select a non-standard address for the UD33, that is one that differs from the address selected by the CONFIGURE command, you must enter CONNECT statements in the SYCONFIG.COM file that is in the system manager's account, SYS\$MANAGER. Use the syntax of the CONNECT statements as described in the DEC documentation on VMS SYSGEN.

#### NOTE

Do not alter the STARTUP.COM or UVSTARTUP.COM command files in the main system account, SYS\$SYSTEM.



### 3.5.6 Ultrix-11 Operating Systems (V3.0 and above)

The Ultrix-11 Version 3.0 system supports up to a total of four MSCP disk controllers, **but only one of each type of controller**. Therefore, to add support for two MSCP controllers, the system generation procedure must be told that there is, for example, one UDA50 controller and one RQDX1 controller. The choices are:

<u>Controller name</u>	<u>device name</u>	<u>disk name</u>
UDA50	ra	ra??
KLESI	rc	rc??
RQDX1, RQDX2, or RQDX3	rq	rd??
RUX1	rx	rx??

#### NOTE

A bug exists in version 3.0 that prevents actually using more than three controllers. When an RQDX1, RQDX2, or RQDX3 is specified, the sysgen program will not allow specifying an RUX1 controller, and vice versa.

#### 3.5.6.1 Sysgen

To add a device to an Ultrix-11 kernel, the sysgen program must be run to create and make a new kernel. Creating a kernel involves the creation of a configuration file and then "making" the kernel from this configuration file.

A dialogue mode is used to enter various system parameters. The question:

Disk controller type:

```
<rh11 rh70 rp11 rk611 rk711 rl11 rx211 rk11
uda50 kda50 rqdx1 rqdx2 rqdx3 klesi rux1> ?
```

asks for the specification of a disk controller. You must choose a different controller type for each MSCP controller on your system, even if they are all UD33s.

#### NOTE

The order in which you enter each controller is very important. The order becomes the controller number. The same order must also be used when creating the special files (see below).

For each MSCP controller specified, one of the following statement will be typed:

First MSCP controller type:  
Second MSCP controller type:  
Third MSCP controller type:

and depending on the controller name specified previously, the next question will differ. See the appropriate correlation below:

<u>Disk Controller Type</u>	<u>Next Sysgen Question</u>
uda50 or kda50	Drive 0 type < ra60 ra80 ra81 > ?
klesi	Drive 0 type < rc25 > ?
rqdx1/2/3 or rux1	Drive 0 type < rx50 rd51 rd52 rd53 > ?

Note that it doesn't matter which drive type you choose. Just enter one of the supplied names for each drive you have connected to each controller.

The next two questions refer to the controller's CSR and vector addresses:

CSR address < 172150 > ?  
Vector address < 154 > ?

The defaults for the CSR and Vector address will always be 172150 and 154, respectively. Be sure to enter the correct CSR value. Since the MSCP controller accepts a software-defined vector, an unused vector from the floating address space should be used for all non-standard address controllers. Emulex suggests that you use a decrementing (by 4) vector address starting at 700 (octal). This will prevent you from using a vector address that is already in use.

---

### **3.5.6.2 Special Files**

---

The Ultrix operating system communicates with devices on the system by the use of special files. These files contain pointers into a system table that lists the entry points for a corresponding driver for that device. There must be a special file for each device (and each partition for disks) on the system in order for Ultrix to communicate with that device. Some devices will have two special files associated with a device: one for use with character mode, and the other for block mode. These special files exist in the account "/dev".

The special files for Ultrix-11 are created with the 'msf' program (make special file). If no options are supplied, this program enters a dialogue mode:

```
# /etc/msf
```

The "msf" program will issue the prompt:

```
Command <create exit help remove table>:
```

Use the "c" command to create the special files.

Device name (? for help) <rp06,dz11,lp11,etc>:

The "msf" program does not understand the notations for different controller types. Instead, it uses the device name and controller number in order to create the special files. For example, the special files for ra60, ra80, and ra81 would be "ra", the special file for an rc25 would be "rc", and the special files for an rd51/2/3 would be "rd". Therefore, you must enter a different device name for each controller. It is suggested that you use the same device names used previously with the sysgen program.

The next two questions are:

MSCP controller number <0 1 2 3>:  
Unit number <0 -> 7 or all>:

The order in which you entered the devices to the sysgen program defines the controller number. For ra, rc, and rd type devices, the next question will be asked:

Assume standard disk partitions (? for help) <y or n> ?

If you answer "no", the next question will be asked:

Create partitions <0 -> 7 or all>?

You should always answer "all".

---

### 3.5.6.3

#### Newfs

The "newfs" program is used to create file systems on specified partitions. The newfs program requires no arguments and immediately enters a dialogue mode. See the Ultrix-11 System Manager's Guide for more information on newfs.

---

### 3.5.6.4

#### Volcopy

Once a device is configured into your current kernel, you can copy an existing file system onto a new partition with the 'volcopy' program. The new partition will be created with the identical size parameters of the original file system. See the Ultrix-11 System Manager's Guide for more information on volcopy.

---

### 3.5.6.5 Copying a Bootstrap

A new bootstrap can be copied onto a new system disk with the "dd" program. The command:

```
# dd if=/mdec/rauboot of=/dev/ra00
```

will copy the bootstrap file onto block zero of ra0.

#### NOTE

V7M-11 V1.0 and Ultrix-11 V2.0 did not support self sizing disks and are therefore unusable with the Emulex MSCP controllers.

---

## 3.5.7 Ultrix-32 Operating Systems

The Emulex MSCP class disk subsystems emulate the DEC DSA UDA-50/KDA-50/RA81 (MSCP) disk subsystem. They report that they are of controller type "DU" and of device type "RA81". However, when asked for the number of logical blocks, they do not return a size value that matches that of a "real" DEC RA81.

---

### 3.5.7.1 The Kernel

Support for MSCP controllers must be included in a monitor when rebuilding the kernel. The configuration file is edited to reflect the number of controllers and the number of drives connected to each controller. The Ultrix-32 system supports two MSCP disk controllers. The following example shows two controllers, the first with two drives, the second with one:

```
controller  uda0  at uba0  csr 0172150  vector udintr
disk        ra0   at uda0  drive 0
disk        ra1   at uda0  drive 1
controller  uda1  at uba0  csr 0160334  vector udintr
disk        ra2   at uda1  drive 2
```

Ultrix-32 does not require that the units be in sequential order. The units numbers of the drives **MUST** match the specifications in the configuration file. In this example, the first unit on the second controller must be unit number two; regardless of the units on the first controller.

---

### 3.5.7.2 Special Files

The Ultrix operating system communicates with devices on the system by the use of special files. These files contain pointers into a system table that lists the entry points for a corresponding driver for that device. There must be a special file for each device (and each partition for disks) on the system in order for Ultrix to communicate with that device. Some devices will have two special files associated with a device: one for use with character mode, and the other for block mode. These special files exist in the account "/dev".

There is a shell script, called "MAKEDEV" (uppercase important), on the Ultrix-32 system to help build these special files. The format of this command is:

```
% /dev/MAKEDEV device ...
```

This script passes your input to the program "mknod" to create the special files. You should use this command file to create the special files for each disk you wish to connect to the system. An example for two disks is:

```
% /dev/MAKEDEV ra4 ra5
```

This example assumes that you have already added the device into the configuration file, and you chose the logical names ra4 and ra5 for your disks.

---

### 3.5.7.3

#### Autoconfigure

At boot time, Ultrix-32 attempts to auto-configure the devices included in the booted monitors configuration file. If the device was not included in the configuration files, it will not be configured into the running system. If the device is not present, Ultrix will skip it.

When Ultrix-32 finds a device at autoconfigure time it prints a message as follows:

```
rqd0 at csr 172150 vec 774, ipl 17
ra0 at rqd0 slave 0
ra1 at rqd0 slave 0
rqd1 at csr 160334 vec 770, ipl 17
ra2 at rqd1 slave 0
```

The CSR address were set in the configuration file. The vectors are assigned sequentially in reverse order by the operating system. If the CSR or unit numbers don't match the configuration file, the device will be skipped (and no message will be printed).

---

### 3.5.7.4

#### Disk Partitions

Ultrix allows a user to logically subdivide a disk into sections called "partitions". Disk partitions were created because the first Unix operating systems could access only a limited amount of space on large disks. Disk partitioning lets several Unix file systems reside on the same disk, one file system per partition. This allows the operating system to utilize the entire disk.

Each disk has a partition table that defines the starting location and size (both in blocks) of each partition on that disk. When a disk is opened by the operating system (for the very first time), it writes the partition size table into the super block of partition "a" (the first partition) on the disk.

---

### **3.5.7.5 Disk Partition Modifications**

---

Modifications to a disk's partition table is done with the "chpt" command each time a disk is initialized or reinitialized. The "chpt" command allows a system manager to alter a particular partition's location and size characteristic.

The operating system initializes the disk's partition table with that of a real DEC RA81's size table (found in the disk driver) on its first opening. The system manager should then edit these sizes (with "chpt" command) to match the system needs.

---

### **3.5.7.6 Default Partition Modifications**

---

It is also possible to modify the default RA81 partition size table, which is stored in the device driver; this would eliminate the need for editing the partition table each time the disk is initialized.

When DEC reorganized the Berkeley 4.2 Unix system to create Ultrix-32 they set it up to allow the distribution of the operating system in a binary format. This allowed them to distribute a minimum amount of source code to binary licence holders. They separated each of the drivers and system kernel modules into two sections: a code portion and a data portion. The code portion does not require recompilation depending on the selected options at SYSGEN time; this is supplied in object format (xx.o). The data portion requires selection parameters based on sysgen answers; this is supplied in source code format (xx\_data.c). Making changes to this table will alter the default partition size characteristics for new disks. An example of the changes to the uda driver is included here.

```
/usr/sys/data/uda_data.c:
```

```

}, ra81_sizes[8] ={
    15884, 0, /* A=blk 0 thru 15883 */
    66880, 15884, /* B=blk 15884 thru 82763 */
    -1, 0, /* C=blk 0 thru end */
    0, 0, /* D= not used */
    0, 0, /* E= not used */
    0, 0, /* F= not used */
    -1, 82764, /* G=blk 82764 thru end */
    0, 0, /* H= not used */
};

```

The -1 above indicates the end of the disk.

---

### 3.5.7.7 Newfs

---

The newfs program speeds up the creating of a file system on a partition. It looks up information, in the file `/etc/disktab`, on the disk specified by the system manager and creates the file system according to those default values. An example of the changes to the `/etc/disktab` file have been included here.

`/etc/disktab:`

```

ud33|UD33|Emulex UD33 Fujitsu Eagle M2351A Winchester:\
:ty=winchester:ns#47:nt#20:nc#840:\
:pa#15884:ba#4096:fa#512:\
:pb#66880:bb#4096:fb#512:\
:pc#789600:bc#4096:fc#1024:\
:pg#706836:bg#4096:fg#1024:

```

---

### 3.5.7.8 Suggestions/Warnings

---

There is a maximum of eight partitions per disk. The partitions form logical boundaries on the disk, separating each file system from all others. These logical divisions are useful for disk management because you can put similar types of users, files, directories or projects all on the same file system. Because a file system can never exceed its partition in size, you can use partitions to regulate disk use.

There are certain areas of the disk which, by default, are reserved for the operating system. By mounting the swap space, for example, on its own partition, important data can not be overwritten when data from memory is swapped to the disk. The Ultrix-32 systems use partition "b" for the swap file. If you plan to use your own partition values, be sure to allocate an area on your system disk for a swap file.

For more information on disk partitioning and modifications to the partition sizes, see Appendix C "Disk Partitioning" in the Ultrix-32 System Manager's Guide.

The program "diskpart" is used to create entries for the disk driver or for the "disktab" file. It creates a template based on the default rules used at Berkeley. The following is a table defining the Berkeley defaults:

<u>Partition</u>	<u>20-60 MB</u>	<u>61-205MB</u>	<u>206-355 MB</u>	<u>356+ MB</u>
a	15884	15884	15884	15884
b	10032	33440	33440	66880
c *	all	all	all	all
d	15884	15884	15884	15884
e	unused	55936	55936	307200
f *	unused	end	end	end
g *	end	end	end	end

\* The 'c' partition is, by convention, used to access the entire disk. In normal operation, either the 'g' partition is used, or the 'd', 'e', and 'f' partitions are used. The 'f' and 'g' partitions are variable sized, occupying whatever space remains after allocation of the fixed sized partitions.

#### NOTE

Ultrix-32 V1.0 did not support self sizing disks and is therefore unusable with the Emulex MSCP controllers. The "diskpart" program was not included on the Ultrix-32 V1.1 distribution kit.



---

## **4.1 Overview**

---

The procedure for installing the UD33 Disk Controller is described in this section. The subsection titles are listed below to serve as an outline of the procedure.

Subsection	Title
4.2	Inspection
4.3	Disk Controller Setup
4.4	Physical Installation
4.5	SMD Drive Preparation
4.6	Cabling
4.7	Integration and Operation

If you are unfamiliar with the subsystem installation procedure, Emulex recommends reading this Installation Section before beginning.

---

### **4.1.1 Subsystem Configurations**

---

This section is limited to switch setting data and physical installation instructions. No attempt is made to describe the many subsystem configurations that are possible. **If you are not familiar with the possible configurations, we strongly recommend reading Section 3, PREPARING THE INSTALLATION, before attempting to install this subsystem.**

When you are installing the subsystem, you should make a record of the subsystem configuration and environment. Figure 4-1 is a Configuration Record Sheet that lists the information required and shows where the data can be found. This information will be of help to an Emulex service representative should your subsystem require service.

### UD33 CONFIGURATION REFERENCE SHEET

**GENERAL INFORMATION**

- Host computer type \_\_\_\_\_
- Host computer operating system \_\_\_\_\_  
Version \_\_\_\_\_
- Other MSCP Controllers; Type \_\_\_\_\_, UNIBUS Address \_\_\_\_\_

**DRIVE CONFIGURATION PARAMETERS**

- Drive Manufacturer (0) \_\_\_\_\_ Model \_\_\_\_\_
- Drive Manufacturer (1) \_\_\_\_\_ Model \_\_\_\_\_
- Drive Manufacturer (2) \_\_\_\_\_ Model \_\_\_\_\_
- Drive Manufacturer (3) \_\_\_\_\_ Model \_\_\_\_\_

• NOVRAM Parameters:

**DRIVE 0**

1	Number Units	_____
2	Type Code	_____
3	Head Offset	_____
4	Sectors/Track	_____
5	Heads	_____
6	Cylinders	_____
7	Spare Sectors	_____
8	Alternate Cylinders	_____
9	Configuration Bits	_____
10	Split Code	_____
11	Removable Media	_____
12	Gap 0	_____
13	Gap 1	_____
14	Gap 2	_____
15	Cylinder Offset	_____
16	Spiral Offset	_____

**DRIVE 1**

1	Number Units	_____
2	Type Code	_____
3	Head Offset	_____
4	Sectors/Track	_____
5	Heads	_____
6	Cylinders	_____
7	Spare Sectors	_____
8	Alternate Cylinders	_____
9	Configuration Bits	_____
10	Split Code	_____
11	Removable Media	_____
12	Gap 0	_____
13	Gap 1	_____
14	Gap 2	_____
15	Cylinder Offset	_____
16	Spiral Offset	_____

**DRIVE 2**

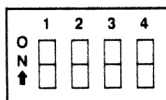
1	Number Units	_____
2	Type Code	_____
3	Head Offset	_____
4	Sectors/Track	_____
5	Heads	_____
6	Cylinders	_____
7	Spare Sectors	_____
8	Alternate Cylinders	_____
9	Configuration Bits	_____
10	Split Code	_____
11	Removable Media	_____
12	Gap 0	_____
13	Gap 1	_____
14	Gap 2	_____
15	Cylinder Offset	_____
16	Spiral Offset	_____

**DRIVE 3**

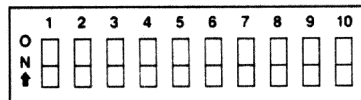
1	Number Units	_____
2	Type Code	_____
3	Head Offset	_____
4	Sectors/Track	_____
5	Heads	_____
6	Cylinders	_____
7	Spare Sectors	_____
8	Alternate Cylinders	_____
9	Configuration Bits	_____
10	Split Code	_____
11	Removable Media	_____
12	Gap 0	_____
13	Gap 1	_____
14	Gap 2	_____
15	Cylinder Offset	_____
16	Spiral Offset	_____

**UD33 CONFIGURATION**

- Firmware revision number \_\_\_\_\_
- Top assembly number \_\_\_\_\_
- UNIBUS address \_\_\_\_\_
- Switch settings ( = OFF  = ON)
- Warranty expiration date \_\_\_\_\_
- Serial number \_\_\_\_\_
- Interrupt vector address \_\_\_\_\_



SW1

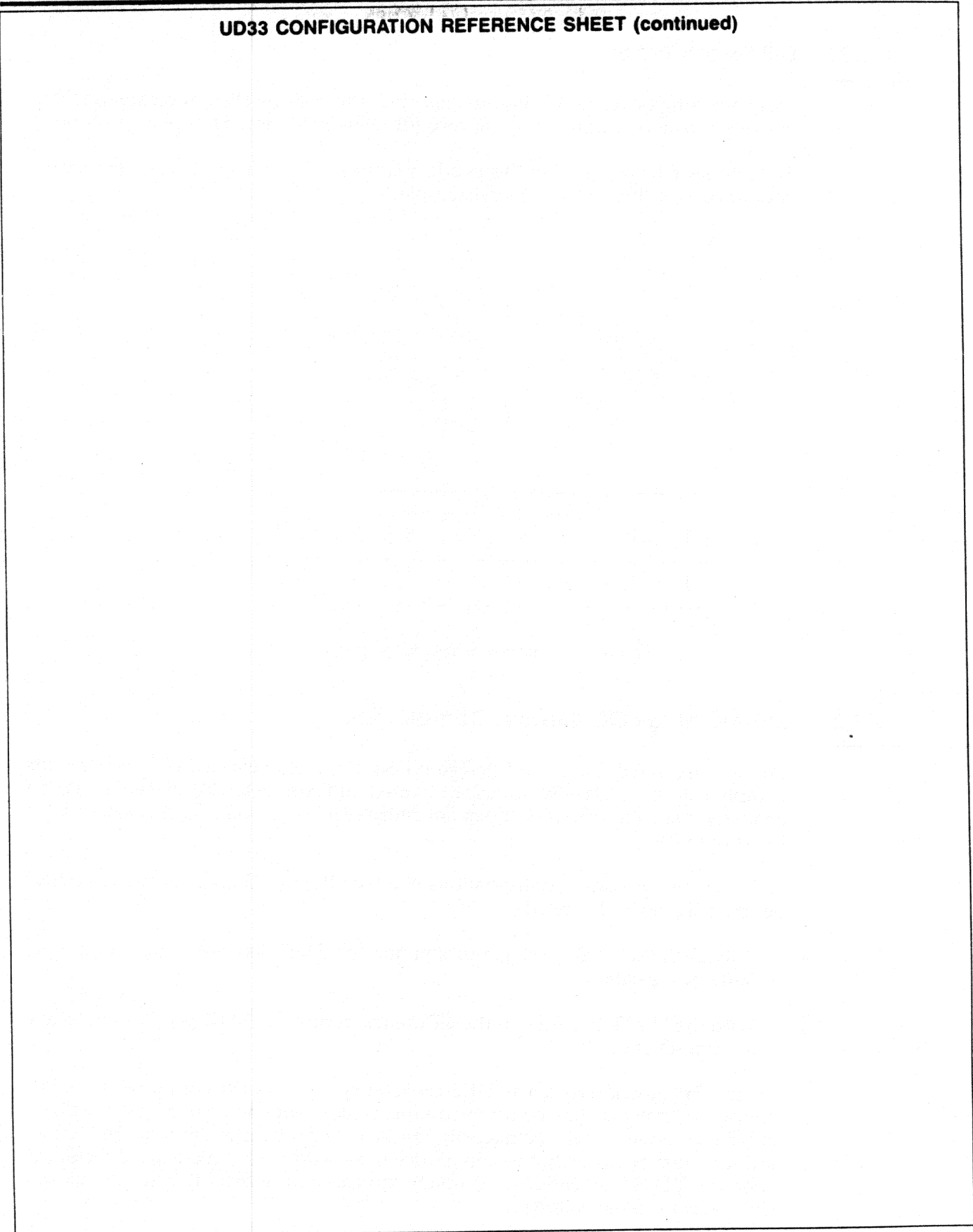


SW2

Figure 4-1. UD33 Configuration Reference Sheet  
(Sheet 1 of 2)

UD3301-1119A

**UD33 CONFIGURATION REFERENCE SHEET (continued)**



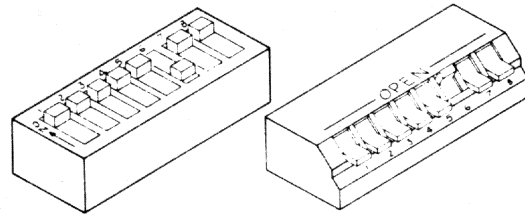
*Figure 4-1. UD33 Configuration Reference Sheet  
(Sheet 2 of 2)*

UD3301-1119B

### 4.1.2 DIP Switch Types

Switch-setting tables in this manual use the numeral one (1) to indicate the ON (closed) position and the numeral zero (0) to indicate the OFF (open) position.

The DIP switch type used in this product is shown in Figure 4-2. It is set to the code shown in the switch setting example.



UD3301-0034

----- SW1 -----							
1	2	3	4	5	6	7	8
1	1	1	1	1	0	1	1

Figure 4-2. Switch Setting Example

### 4.1.3 Maintaining FCC Class A Compliance

Emulex has tested the UD33 Intelligent Disk Controller with DEC computers that comply with FCC Class A limits for radiated and conducted interference. When properly installed, the UD33 does not cause compliant computers to exceed Class A limits.

There are two possible configurations in which the UD33 and its associated SMD peripherals can be installed:

- With both the UD33 Disk Controller and the SMD disk drives both mounted in the same cabinet
- With the UD33 mounted in the CPU cabinet and the SMD drives mounted in a separate cabinet

To limit radiated interference, DEC completely encloses the components of its computers that generate or could conduct radio-frequency interference (RFI) with a grounded metal shield (earth ground). During installation of the UD33, nothing must be done that would reduce this shield's effectiveness. Specifically, when the UD33 installation is complete, no gap in the shield that would allow RFI to escape can be allowed.

Conducted interference is generally prevented by installing a filter in the AC line between the computer and the AC outlet. Most power distribution panels that are of current manufacture contain suitable filters.

The steps that must be taken to maintain the integrity of the shield and to limit conducted interference are explained fully in subsection 4.6.

---

## **4.2 Inspection**

---

Emulex products are shipped in special containers designed to provide full protection under normal transit conditions. Immediately upon receipt, the shipping container should be inspected for evidence of possible damage incurred in transit. Any obvious damage to the container, or indications of actual or probable equipment damage, should be reported to the carrier company in accordance with instructions on the form included in the container.

Unpack the UD33 subsystem and, using the shipping invoice, verify that all equipment is present. Verify also that model or part numbers (P/N), revision levels, and serial numbers agree with those on the shipping invoice. Paragraph 1.4 explains model numbers and details kit contents. These verifications are important to confirm warranty. If evidence of physical damage or identity mismatch is found, notify an Emulex representative immediately. If the equipment must be returned to Emulex, it should be shipped in the original container.

---

### **4.2.1 UD33 Disk Controller Inspection**

---

Visually inspect the UD33 Disk Controller after unpacking. Check for such items as bent or broken connector pins, damaged components, or any other evidence of physical damage.

Examine all socketed components carefully to ensure that they are properly seated.

---

## **4.3 Disk Controller Setup**

---

Several configuration setups must be made on the UD33 Disk Controller before inserting it into the chassis. These setups are made by option switches SW1 and SW2.

Figure 4-3 shows the locations of the configuration switches referenced in the following paragraphs.

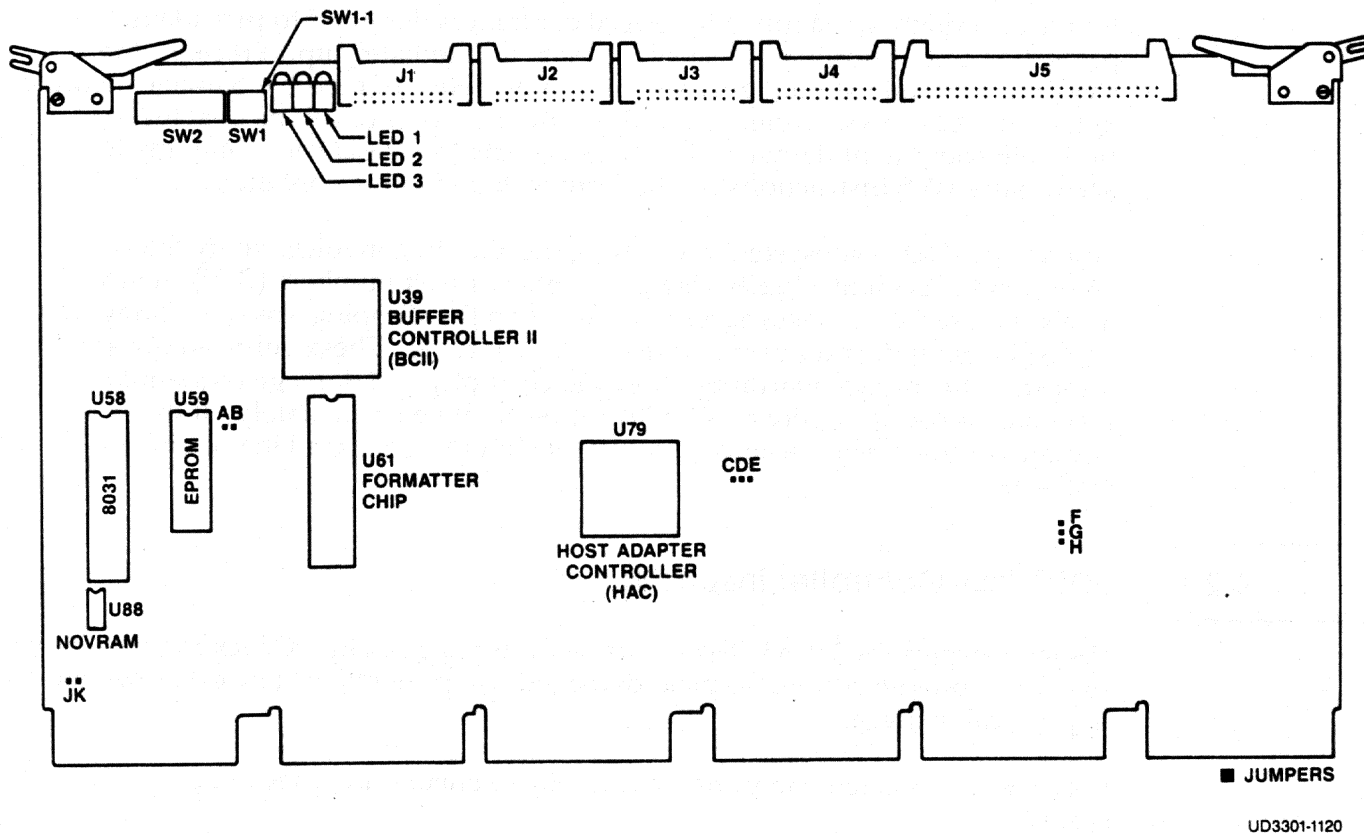


Figure 4-3. UD33 Disk Controller Assembly

**NOTE**

If you change a switch position on the UD33, you must also reset the UD33 so that the host operating system's initialization sequence reads the codes established by the switch settings. To reset the UD33, either toggle switch SW1-1 (ON then OFF), or power-down and power-up the system.

Table 4-1 defines the function and the factory configuration of all switches on the UD33 controller. The factory configuration switch settings are representative of most UD33 Disk Controller applications.

Table 4-1. UD33 Switch Definitions and Factory Configuration

Switch	OFF(0)	ON(1)	Fact	Function	Section
SW1-1	Run	Reset/Halt	OFF(0)	Run vs. Reset/Halt	
SW1-2	-	-	OFF(0)	MSCP Device Number (LSB)	4.3.3.1
SW1-3	-	-	OFF(0)	MSCP Device Number	4.3.3.1
SW1-4	-	-	OFF(0)	MSCP Device Number (MSB)	4.3.3.1
SW2-1	Disable	Enable	OFF(0)	Loop on Self-Test Error	
SW2-2	-	-	OFF(0)	Reserved	
SW2-3	-	-	OFF(0)	UNIBUS Address	4.3.1
SW2-4	-	-	OFF(0)	UNIBUS Address	4.3.1
SW2-5	-	-	OFF(0)	UNIBUS Address	4.3.1
SW2-6	-	-	OFF(0)	UNIBUS Address	4.3.1
SW2-7	4 usec	8 usec	OFF(0)	DMA Burst Delay	4.3.3.2
SW2-8	Enable	Disable	OFF(0)	Adaptive DMA	4.3.3.3
SW2-9	B-Cable	A-Cable	OFF(0)	Index and Sector	4.3.3.4
SW2-10	-	-	OFF(0)	Reserved	
ON(1)	= Closed		NS	= No standard	
OFF(0)	= Open		Fact	= Factory switch setting	

Table 4-2 lists the function and factory configuration of all jumpers on the controller.

Table 4-2. UD33 Jumper Definitions and Factory Configuration

Jumper	OUT	IN	FACT	Comment
A-B	16K PROM Select	32K PROM Select	OUT	Must be OUT
C-D	Normal Operation	Factory Test	OUT	Must be OUT
E	Normal Operation	Ground (Test)	OUT	Must be OUT
F-G	Disable Clock	Enable Clock	IN	Must be IN

FACT = Factory Setting

### 4.3.1 Disk Controller Bus Address

Every UNIBUS I/O device has a block of several registers through which the system can command and monitor that device. The registers are addressed sequentially from a starting address assigned to that controller, in this case an MSCP-class Disk Controller.

The address for the first of the UD33's two UNIBUS registers is selected by DIP switches SW2-3 through SW2-5. See Table 4-3 for register address switch settings. For more information on determining the UNIBUS address, see Section 3 and Appendix A.

Table 4-3. Controller Address Switch Settings

Bus Address (in octal)	---- SW2 ----				Factory
	3	4	5	6	
772150	0	0	0	0	✓
772154	1	0	0	0	
760334 - 3E0DC	0	1	0	0	
760340	1	1	0	0	
760344	0	0	1	0	
760350	1	0	1	0	
760354	0	1	1	0	
760360	1	1	1	0	
760364	0	0	0	1	
760370	1	0	0	1	
760374	0	1	0	1	
760400	1	1	0	1	
760404	0	0	1	1	
760410	1	0	1	1	
760414	0	1	1	1	
760420	1	1	1	1	



---

### 4.3.2 Interrupt Vector Address

---

The interrupt vector address for the UD33 is programmed into the device by the operating system during power-up. See subsection 3.5 for a discussion of vector addresses.

---

### 4.3.3 Options

---

There are other UD33 options that can be implemented by the user. A feature is selected by physically installing an option on the PCBA or by enabling an option using a switch.

---

#### 4.3.3.1 MSCP Device Number

---

UD33 switches SW1-2 through SW1-4 specify MSCP device numbers. If the UD33 is installed at an alternate UNIBUS address, these switches identify the MSCP device number of the first drive supported by that alternate UD33. The first drive supported by the UD33 at alternate address may be any drive from 1 to 8.

If your UD33 is installed at an alternate address, switches SW1-2 through SW1-4 select the MSCP device number of the first drive supported by the UD33. MSCP device numbering schemes may vary by DEC operating system (see subsection 3.4.2.2). Table 4-5 defines the MSCP device numbers selected by switches SW1-2 through SW1-4 if the UD33 is at an alternate address.

*Example 4-1: Your system operates under RSX-11M-PLUS and has two UD33 Disk Controllers. The first UD33 is at the standard base for MSCP controllers, 772150<sub>8</sub>, and it is supporting three logical drives, Unit 0, Unit 1, and Unit 2. The second UD33 is at an alternate base address, and it is supporting two logical drives. RSX-11M-PLUS requires that the first drive on the alternate UD33 have an MSCP device number of 3 and that the second drive have an MSCP device number of 4. On the alternate UD33, set switches SW1-2 in the ON position, SW1-3 in the ON position, and SW1-4 in the OFF position to specify a MSCP device number of 3 for the first drive.*

This example would also apply if the first MSCP controller were a DEC MSCP controller with three logical drives.

3E0D6.

Table 4-4. MSCP Device Number for the First Drive Supported by a UD33 at an Alternate Address

Starting MSCP Device Number	--- SW1 ---			Factory
	2 (LSB)	3	4 (MSB)	
1	1	0	0	
2	0	1	0	
3	1	1	0	
4	0	0	1	
5	1	0	1	
6	0	1	1	
7	1	1	1	
8	0	0	0	✓

**4.3.3.2 DMA Burst Delay**

The UD33 firmware design includes a switch-selectable DMA burst delay to avoid data late conditions. Switch SW2-7 selects either a 4-microsecond or 8-microsecond delay between DMA bursts. Even with the UD33 adaptive DMA, some applications may require a longer burst delay to allow other devices adequate time on the bus.

Switch	OFF	ON	Factory
SW2-7	4 usec	8 usec	OFF

**4.3.3.3 Adaptive DMA**

Depending on the other devices on the bus and their priority, the UD33 may use more or less bus time than is optimal for your application. The UD33 allows you to modify its DMA operations by disabling adaptive DMA. If adaptive DMA is disabled, the UD33 programs the DMA burst length to a maximum of 8 words per burst, unless overridden by the host processor.

When adaptive DMA is enabled (SW2-8 OFF), the UD33 monitors the PDP-11 bus for other pending DMA requests and suspends its own DMA activity to permit other DMA transfers to occur. If the UD33 is not getting the bus time your application requires, you may want to disable the adaptive DMA. When adaptive DMA is disabled, the UD33 performs a burst transfer of 8 words or less, relinquishes the bus, then performs another DMA burst transfer.

Switch	OFF	ON	Factory
SW2-8	Enable Adaptive DMA	Disable Adaptive DMA	OFF

#### 4.3.3.4 Index and Sector

The UD33 uses switch SW2-9 to determine whether the controller will look for the index and sector pulses on the A cable or B cable.

Switch	OFF	ON	Factory
SW2-9	B cable	A cable	OFF

#### NOTE

RPS will not function correctly unless the Index and Sector signal is on the B cable. Therefore, leaving SW2-9 in the OFF position will aid optimum performance of the controller.

## 4.4 Physical Installation

### 4.4.1 System preparation

Power down the system and switch OFF the main AC breaker at the rear of the cabinet (the AC power indicator will remain lighted). Slide the CPU out of the cabinet and remove the top cover. Remove the card cage shield to obtain access to the CPU and other modules.

### 4.4.2 Slot Selection

The UD33 can be inserted into any SPC slot in either the DEC computer chassis or UNIBUS expansion chassis. The closer a module is to the CPU, the higher its interrupt priority. The UD33 can be placed fairly far from the CPU because of its large buffer capacity.

Each CPU slot should contain a module. Card slots that would otherwise remain unoccupied should contain Bus Grant (flip-chip) modules to provide interrupt acknowledge continuity.

NOTE

The nonprocessor grant (NPG) jumper on the SPC card slot in which the controller is being installed **must be removed** to allow the controller to trap the NPG signal during DMA requests. See subsection 4.4.3.

---

#### 4.4.3 NPG Signal Jumper

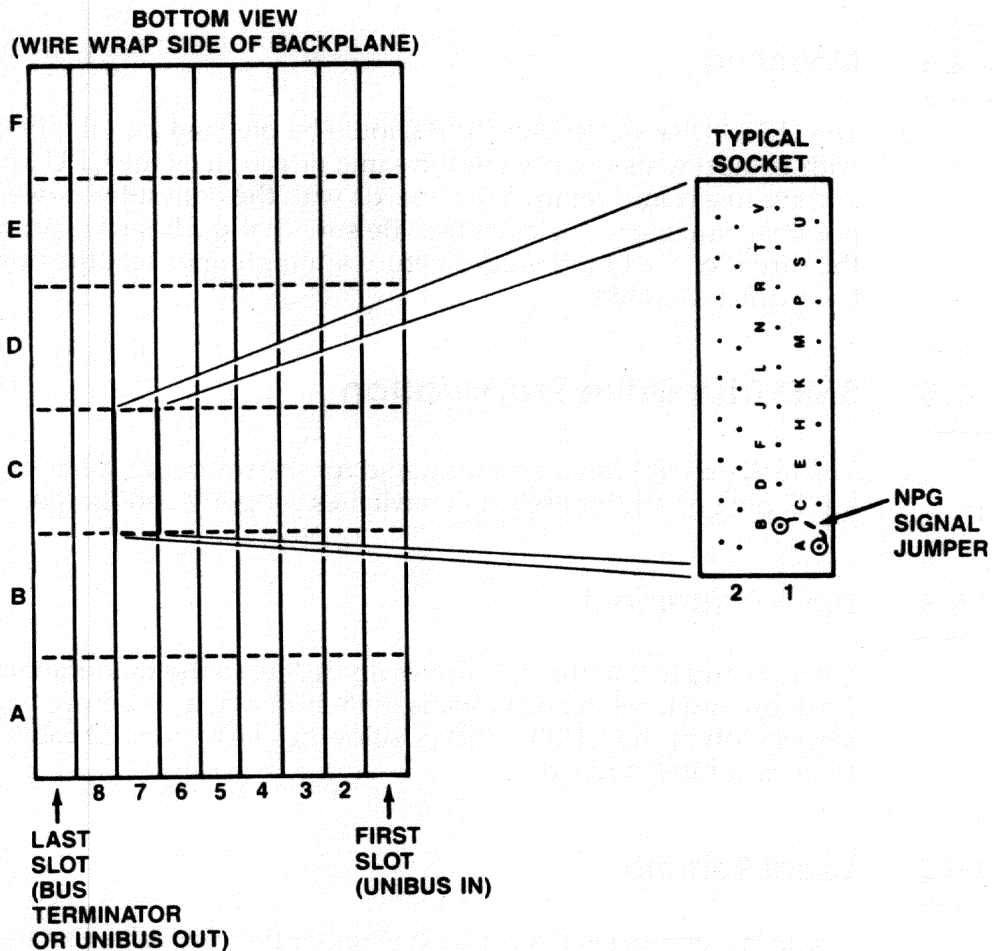
---

The Nonprocessor Grant (NPG) jumper on the SPC card slot must be removed to allow the trapping of the NPG signal during DMA requests. Therefore, remove the NPG signal jumper between pins CA1 and CB1 on the backplane so that the NPG signal passes through the UD33 module.

Figure 4-4 shows a DD11-DK nine-slot backplane, with the enlargement depicting the layout of a typical socket as seen from the rear. (The enlargement is valid for each of the sockets on the backplane.) The figure of the backplane includes letters and numbers that are not actually on the backplane; they are included to help identify pin locations. Also, the numbers shown in the enlargement do not appear in the same location on the backplane; rather, they are located in about the center of the backplane.

Jumper locations are defined by a series of numbers and letters that show pin locations by socket, column, and row. To find the NPG signal jumper on the DD11-K backplane, use the following procedure:

1. Find the appropriate socket (in this case C). The sockets of pins are lettered sequentially, beginning with A at the top and proceeding to the bottom socket, F.
2. Find the appropriate card slot. In Figure 4-4, the card slots are numbered 1 through 9 from right to left. The column of pins shown in the socket enlargement corresponds to card slot 3. Note that each card slot is four pins wide, as the enlargement shows.
3. Find the appropriate row of pins. As the enlargement shows, each number is labeled A through V, excluding G, I, O, and Q. Also, each row of pins is offset from the row on either side.
4. Find the appropriate number corresponding to the desired pin. As the enlargement shows, each number differentiates between two pins on the same row that correspond to the same card slot. A number 1 indicates the left pin of that column in a particular row; a number 2 indicates the right.



UD3301-0001

Figure 4-4. NPG Jumper Location

In summary: For the third card slot, pin CA1 refers to the third socket from the top of the backplane (C), the top pin of the left-hand set (A1). CB1 is one pin to the right and slightly down. An arrow shows the wire between the two pins.

The wire-wrap jumper between CA1-CB1 is the bottom-most wrap on the pair. Once you have located the jumper, cut it. Slipping a small piece of insulation over the end of the pin facilitates later location.

If the UD33 is removed from the backplane, either reconnect the NPG jumper, or insert a dual-width grant continuity module into connectors C and D of the slot vacated by the module. The dual-width grant continuity module (DEC part number G7273) jumpers all grant signals (interrupt grants and nonprocessor grants). It can be ordered from Emulex using part number ZU1110812.

---

#### **4.4.4 Mounting**

---

The UD33 Disk Controller PWB should be plugged into the PDP-11 backplane with components oriented in the same direction as the CPU and other modules. Always insert and remove the boards with the computer power OFF to avoid possible damage to the circuitry. Be sure that the board is properly positioned in the throat of the board guides before attempting to seat the board by means of the extractor handle.

---

### **4.5 SMD Disk Drive Preparation**

---

The disk drive(s) must be configured for the proper number of sectors and have an ID plug or address selection switches properly configured.

---

#### **4.5.1 Drive Placement**

---

Uncrate and install the disk drives according to the manufacturer's instructions. Position and level the disk drives in their final places before beginning the installation of the UD33. This positioning allows the I/O cable routing and length to be accurately judged.

---

#### **4.5.2 Local/Remote**

---

The local/remote switch controls whether the disk drive can be powered up from the drive (local) or from the controller (remote). Place the switch in the REMOTE position. With the CPU powered down, press the Start switch on the front panel of each of the drives (the Start LED will light, but the drive will not spin up and become ready). When the CPU is powered up, the drives spin up sequentially. This sequential power-up prevents the heavy current draw that would be caused if all the drives were powered up at once. When in the remote mode, the drives power down when the CPU is powered down. While the CPU is powered on, the drives can be powered up and down individually (to change disk media, for example) by using the drive Start switch.

---

#### **4.5.3 Sectoring**

---

See Appendix D, Drive Parameters, for the correct sector count settings for the disk drives in use. Consult the appropriate drive manual for additional information.

---

#### 4.5.4 Drive Numbering

---

An address from 0 to 3 must be selected for each drive. Be careful that no two drives are assigned the same number. The logical unit number is determined by the address given to the drive. See subsection 3.2.2.

CDC drive addresses are selected by means of an ID plug. Drives from other manufacturers have their addresses selected by switches on one of the logic cards. Consult the appropriate drive manual for the exact procedure.

---

#### 4.5.5 Index and Sector Signals

---

The UD33 supports SMD drives that provide the index and sector pulses on either the A or B cable without drive modification. Switch SW2-9 indicates the signal location (see subsection 4.3.3.4). For best performance, index and sector pulses should be on the B cable.

---

### 4.6 Cabling

---

The UD33 Disk Controller interfaces with each disk drive that it controls via one control cable (A cable) and a data cable (B cable). The A cable originates from connector J5 on the UD33 and is daisy-chained to all of the supported drives, terminating on the last drive. Maximum cumulative cable length for the A cable is 35 feet (10.5 meters). The B cables originate from connectors J1, J2, J3 and J4. A radial (B) cable is connected directly from the UD33 to each supported disk drive. Maximum cable length for the B cable is 25 feet (7.5 meters).

#### NOTE

Because of the higher transfer rates of SMD-E drives, Emulex strongly recommends the use of shielded A and B cables and the grounding of each drive to the system. (See subsection 4.6.1.3 for grounding information.) Failure to take these precautions may result in erratic performance of the subsystem.

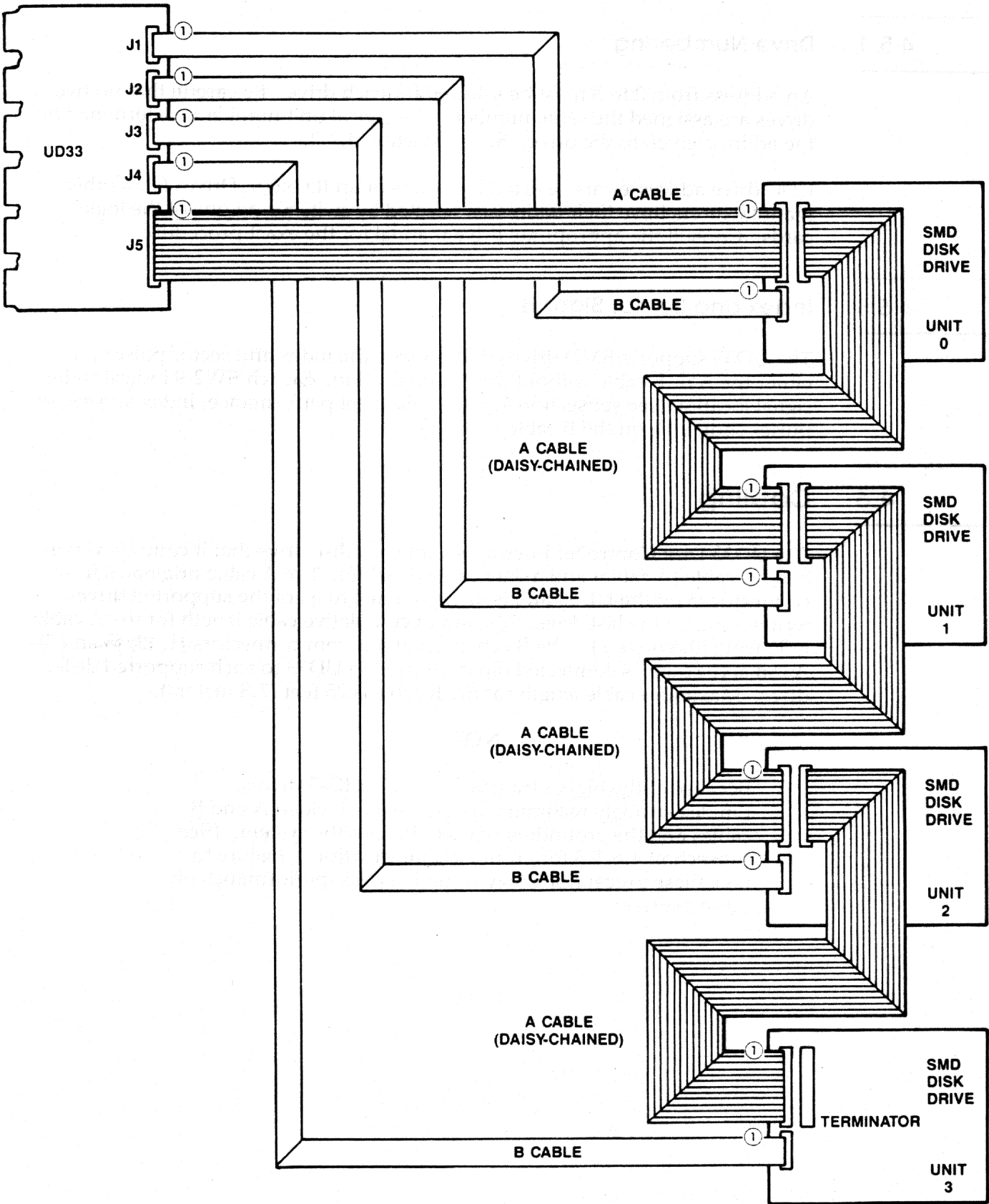


Figure 4-5. Drive Cabling

UD3301-1121



Tables 4-6 and 4-7 list cables offered by Emulex for the UD33. Figure 4-4 shows basic cable installation. To prevent excessive RFI, DEC surrounds its computers with a grounded metal shield. These shields are built into the computer cabinet.

As noted in subsection 4.1.3, cabling has a direct effect on the amount of electromagnetic interference radiated by a computer system. When installing the UD33 and its drives, you must take steps to preserve the integrity of the shield built into FCC-compliant DEC cabinets.

If both the controller and the peripheral are installed in the same cabinet, then you need only replace the shields that you have removed to keep the computer compliant with FCC regulations.

If the controller and the disk drives are located in separate cabinets, then you must shield the cables that run between the cabinets. Also, you must install the cables so that their points of cabinet exit and entry do not cause the computer installation to exceed FCC limits for RFI. To allow you to do this easily, Emulex makes shielded A cables, B cables, and cable I/O adapter panels that are designed to keep RFI within FCC limitations.

As previously noted, the UD33 and its SMD disk drives can be installed in either of two configurations:

- With the UD33 Disk Controller and the drives mounted in the same cabinet
- With the UD33 mounted in the CPU cabinet and the drives mounted in a separate cabinet

The following paragraphs describe the cabling between the UD33 and drives for both these configurations. The separate-cabinet installations rely on Emulex cabling kits to limit EFI, and thus the procedures for installing the kits are described in subsection 4.6.2.

---

#### 4.6.1 Same Cabinet Installations

---

When the UD33 and its SMD drives are installed in the same cabinet, it is possible that the cabinet itself provides sufficient shielding. In such cases, it is not necessary to shield the A and B cables that connect the subsystem.

## NOTE

If the cabinet in which the UD33 and the CPU are installed was manufactured before 1 October 1983, it may not provide sufficient shielding or filtering to prevent excessive RFI radiation or conduction. In case of a complaint about interference, it is the operator's responsibility to take whatever steps are necessary to correct the problem.

Emulex makes unshielded A and B cables in several lengths. Table 4-6 lists the available cables.

Table 4-5. Unshielded Cables

Item	Part Number	Description	Length	Interface
1	SU1111201	Cable, Unshielded	8 ft	SMD A-Cable
	SU1111203	Cable, Unshielded	15 ft	SMD A-Cable
	SU1111205	Cable, Unshielded	25 ft	SMD A-Cable
	SU1111207	Cable, Unshielded	35 ft	SMD A-Cable
2	SU1111202	Cable, Unshielded	8 ft	SMD B-Cable
	SU1111204	Cable, Unshielded	15 ft	SMD B-Cable
	SU1111206	Cable, Unshielded	25 ft	SMD B-Cable

The items listed in Table 4-6 can be ordered from your Emulex sales representative or directly from the factory. The factory address is:

Emulex Customer Service  
 3545 Harbor Boulevard  
 Costa Mesa, CA 92626  
 (714) 662-5600 TWX 910-595-2521

To cable the subsystem, see Figure 4-4 and use the following procedures:

**4.6.1.1****A Cable**

1. Look at the header at either end of the A cable. Find the molded-in arrow that identifies pin 1 of the connector.
2. Find the arrow that is molded into connector J5 on the UD33. Align the arrow on the cable header with the connector arrow and press the header into the connector.
3. Find the molded-in arrow on the cable header at the other end of the A cable.

4. Find the arrow on the disk drive's A cable connector. Most SMD drives have two A cable interfaces to allow daisy-chaining; use either. Align the arrow on the cable header with the connector arrow and press the header into the connector. Make sure that the locking tabs on the connector are fully flush with the sides of the cable header.
5. Connect the first drive to the second drive supported by the UD33 using another A cable. Run the cable from the second A cable connector on the first drive to the second drive using steps 1 through 4.
6. Install the A cable terminator (supplied with the drive) on the second A-cable connector of the last drive.

**End of Procedure**

---

**4.6.1.2**

---

**B Cable**

1. Look at the header at either end of the B cable. Find the molded-in arrow that identifies pin 1 of the connector.
2. Find the arrow that is molded into connector J1 on the UD33. Align the arrow on the cable header with the connector arrow and press the header into the connector.
3. Find the molded-in arrow on the cable header at the other end of the B cable.
4. Find the arrow on the first disk drive's B cable connector. If the drive is a dual port model, make sure you connect the B cable to the same port to which you connected the A cable. Align the arrow on the cable header with the connector arrow and press the header into the connector. Make sure that the locking tabs on the connector are fully flush with the sides of the cable header.
5. Repeat steps 1 through 4 for the other drives, using connectors J2, J3, and J4 on the UD33.

**End of Procedure**

---

### 4.6.1.3 Grounding

---

Proper grounding is extremely important for proper operation of the disk subsystem. There must be a good connection between each drive in the subsystem and the CPU logic ground. The recommended grounding method is to connect each drive to a common point on the CPU chassis using a half-inch or larger braided ground strap, preferably insulated, or an AWG number 10 (or heavier) wire.

Another option, though a less desirable one, is to daisy-chain a ground wire between the drives, then connect it to the CPU.

For most applications, connect the drive chassis and logic grounds (AC and DC grounds). In environments with noise problems, however, it may work better to separate these two grounds. **Whatever drive ground method is used, all drives in the subsystem must be configured the same way.** Consult the disk drive manual for specific instructions on connecting the chassis and logic grounds.

Because each subsystem is unique, it is impossible to predict which method will work best for each. Be aware that some experimentation may be required.

#### NOTE

Failure to observe proper signal grounding methods generally results in marginal operation with random error conditions.

---

### 4.6.2 Separate Cabinets

---

If the disk drives are mounted in a separate cabinet from the UD33 Disk Controller, then the A and B cables that connect the drives to the UD33 must be shielded because they run outside the shielded cabinet environment.

Emulex makes extension cables, cable I/O adapter panels, and shielded cables that are designed to be used with the UD33 in separate-cabinet installations. Extension cables connect the controller (or drive) with the cable I/O adapter panels. Cable I/O adapter panels ground the shields on the shielded cables and maintain the integrity of the cabinet shield. Shielded cables are run between cabinets.

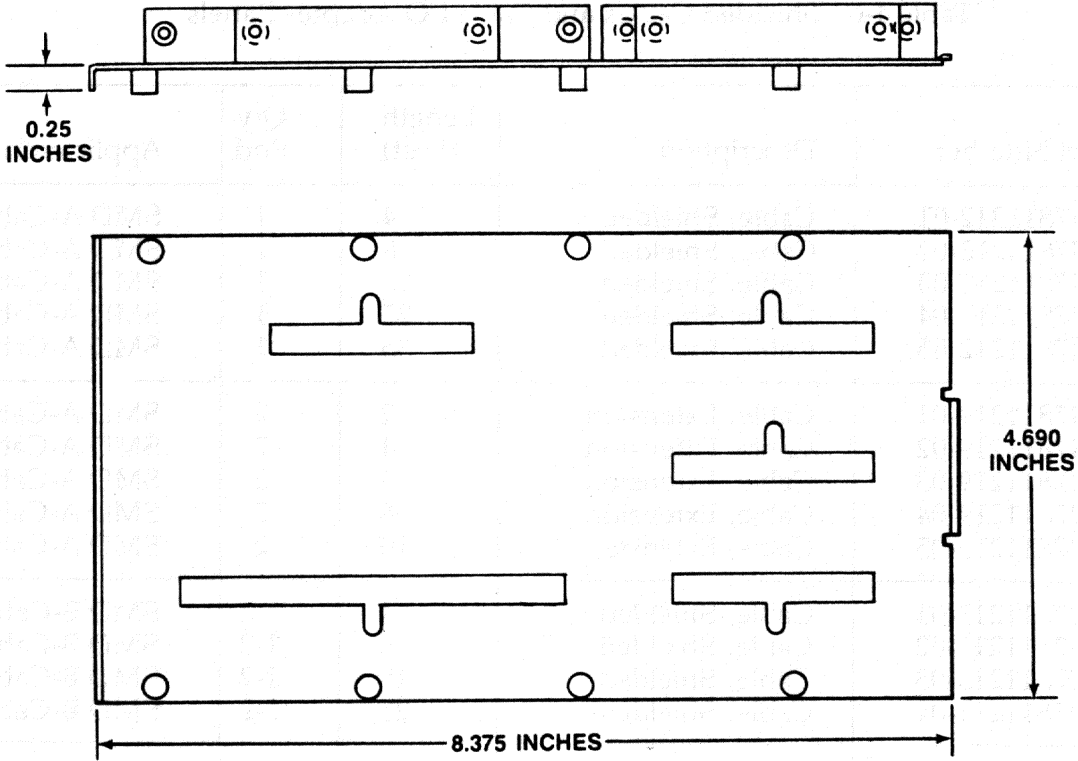
The cables are available in various lengths, and there are several different types of cable I/O adapter panels. Table 4-7 gives the part numbers of these accessories and describes their application. The items listed in Table 4-7 can be ordered from your Emulex sales representative or directly from the factory. The factory address is:

Emulex Customer Service  
3545 Harbor Boulevard  
Costa Mesa, CA 92626  
(714) 662-5600 TWX 910-595-2521

Table 4-6. Shielded Cables and Cable I/O Adapter Panels

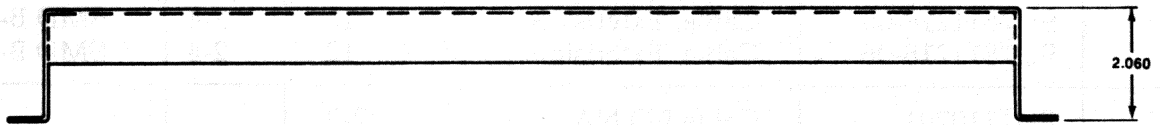
Item	Part Number	Description	Length (Feet)	Qty Rqd	Application
1	SU7811212-01	Cable, Shielded	4	1	SMD A-Cable
	SU7811212-02	Cable, Shielded	8	1	SMD A-Cable
	SU7811212-03	Cable, Shielded	15	1	SMD A-Cable
	SU7811212-04	Cable, Shielded	25	1	SMD A-Cable
	SU7811212-05	Cable, Shielded	35	1	SMD A-Cable
2	SU7811219-01	Cable, Extension	2	2	SMD A-Cable
	SU7811219-02	Cable, Extension	4	2	SMD A-Cable
	SU7811219-03	Cable, Extension	6	2	SMD A-Cable
	SU7811219-04	Cable, Extension	8	2	SMD A-Cable
	SU7811219-05	Cable, Extension	10	2	SMD A-Cable
3	SU7811213-01	Cable, Shielded	4	1-2	SMD B-Cable
	SU7811213-02	Cable, Shielded	8	1-2	SMD B-Cable
	SU7811213-03	Cable, Shielded	15	1-2	SMD B-Cable
	SU7811213-04	Cable, Shielded	25	1-2	SMD B-Cable
4	SU7811218-01	Cable, Extension	2	2-4	SMD B-Cable
	SU7811218-02	Cable, Extension	4	2-4	SMD B-Cable
	SU7811218-03	Cable, Extension	6	2-4	SMD B-Cable
	SU7811218-04	Cable, Extension	8	2-4	SMD B-Cable
	SU7811218-05	Cable, Extension	10	2-4	SMD B-Cable
	SU7811218-06	Cable, Extension	12	2-4	SMD B-Cable
5	SU1110201	Cable I/O NA Adapter Panel	2-3		
6	CU2220301	Rack-Mount Panel	NA	2-3	(optional)
7	SU7813104	Peripheral Cable Adapter Panel Kit	NA	1-2	Freestanding disk drive cable adapter

The cable I/O adapter panels are designed to fit directly into the I/O bulkhead that is built into most FCC-compatible DEC CPU expansion cabinets. See Figure 4-6. If there is no I/O bulkhead in the cabinet, item 6, the rack-mount panel, holds two cable I/O adapter panels and mounts in any standard 19-inch RETMA rack. The rack-mount panel is shown in Figure 4-7.

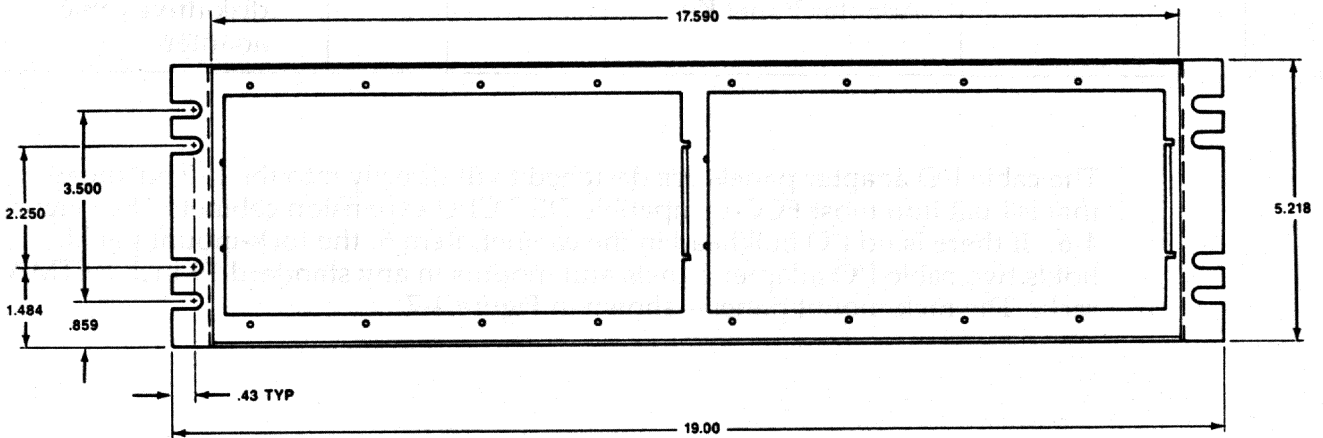


UD3301-0201

Figure 4-6. Cable I/O Adapter Panel



ALL DIMENSIONS IN INCHES

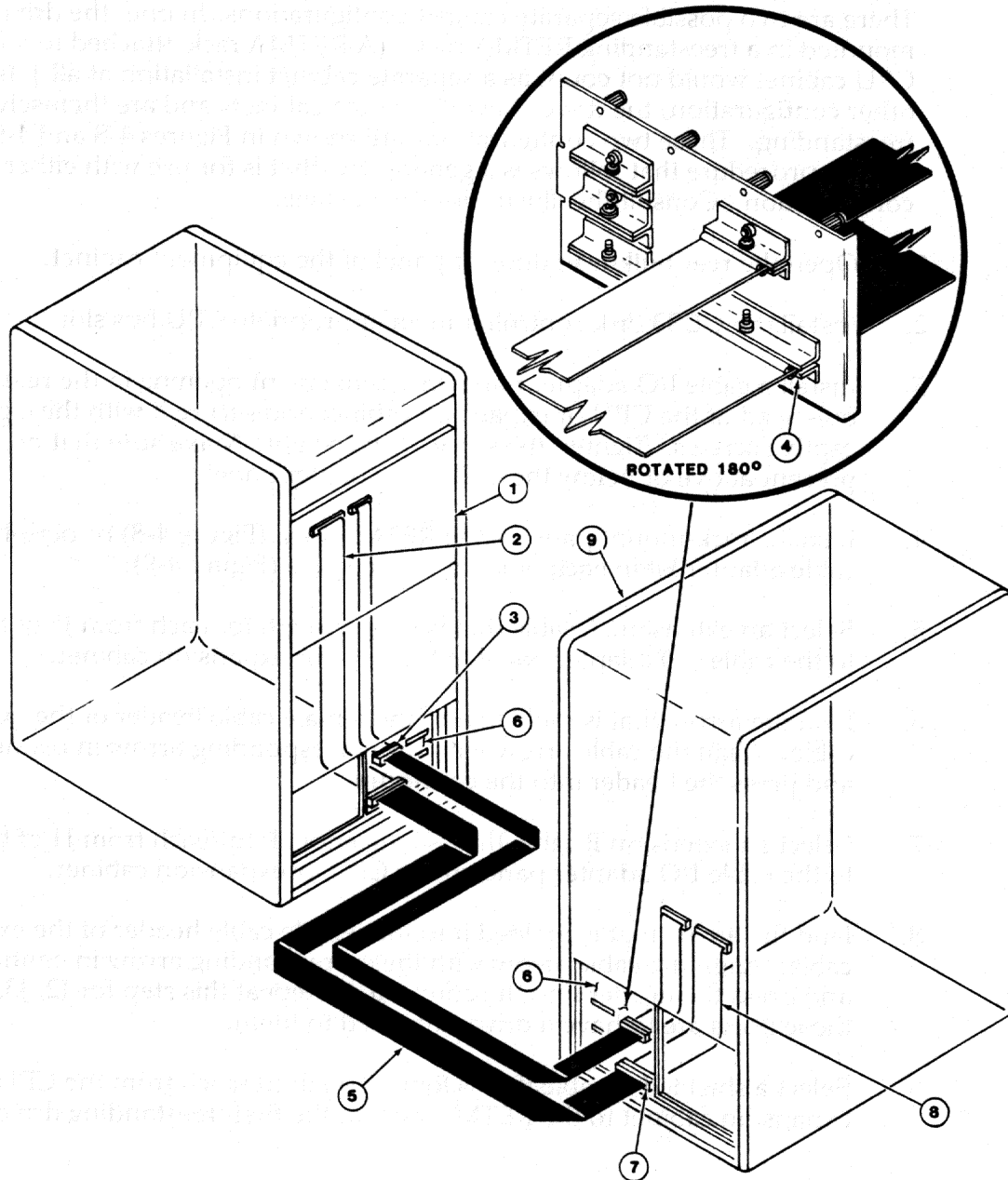


UD3301-0202

Figure 4-7. Rack-Mount Panel

There are two possible separate cabinet configurations. In one, the drives are mounted in a freestanding RETMA rack. (A RETMA rack attached to a PDP CPU cabinet would not count as a separate cabinet installation at all.) In the other configuration, the drives have their own cabinets and are themselves freestanding. These two configurations are shown in Figures 4-8 and 4-9. The cabling procedure that follows is a generic one that is for use with either configuration. Consult the illustrations for details.

1. Open the rear bulkhead door or panel of the equipment cabinet.
2. Install the UD33 disk controller in an appropriate CPU bus slot.
3. Install a cable I/O adapter panel in a convenient opening in the rear bulkhead of the CPU or expansion cabinet and secure it with the eight captive screws. Tighten the screws finger-tight. Make sure that no gaps are present above or below the cable I/O adapter panel.
4. Install a rack-mount panel in the RETMA rack (Figure 4-8) or peripheral cable adapter kit in each of the drive cabinets (Figure 4-9).
5. Select an extension A cable that is long enough to reach from J5 of the UD33 to the cable I/O adapter panel in the CPU or expansion cabinet.
6. Find the arrow that is molded into the female cable header of the extension cable. Align the cable arrow with the corresponding arrow in connector J5 and press the header into the connector.
7. Select an extension B cable that is long enough to reach from J1 of the UD33 to the cable I/O adapter panel in the CPU or expansion cabinet.
8. Find the arrow that is molded into the female cable header of the extension cable. Align the cable arrow with the corresponding arrow in connector J1 and press the header into the connector. Repeat this step for J2, J3, and J4 if those ports are to have a drives attached to them.
9. Select a shielded A cable that is long enough to reach from the CPU or expansion cabinet to the RETMA rack or the first freestanding drive.



UD3301-0203

1. Disk Controller PCBA Enclosure
2. Nonshielded Extension Cable
3. Cable Connectors, Extension Cable to Shielded Cable
4. Clamp - Shield of Shielded Cable Clamped Within
5. Shielded/Jacketed Cable, External to Equipment Cabinets
6. Cable I/O Adapter Panel
7. Cable Connectors, Shielded Cable to Extension Cable
8. Nonshielded Extension Cable
9. Peripheral Device

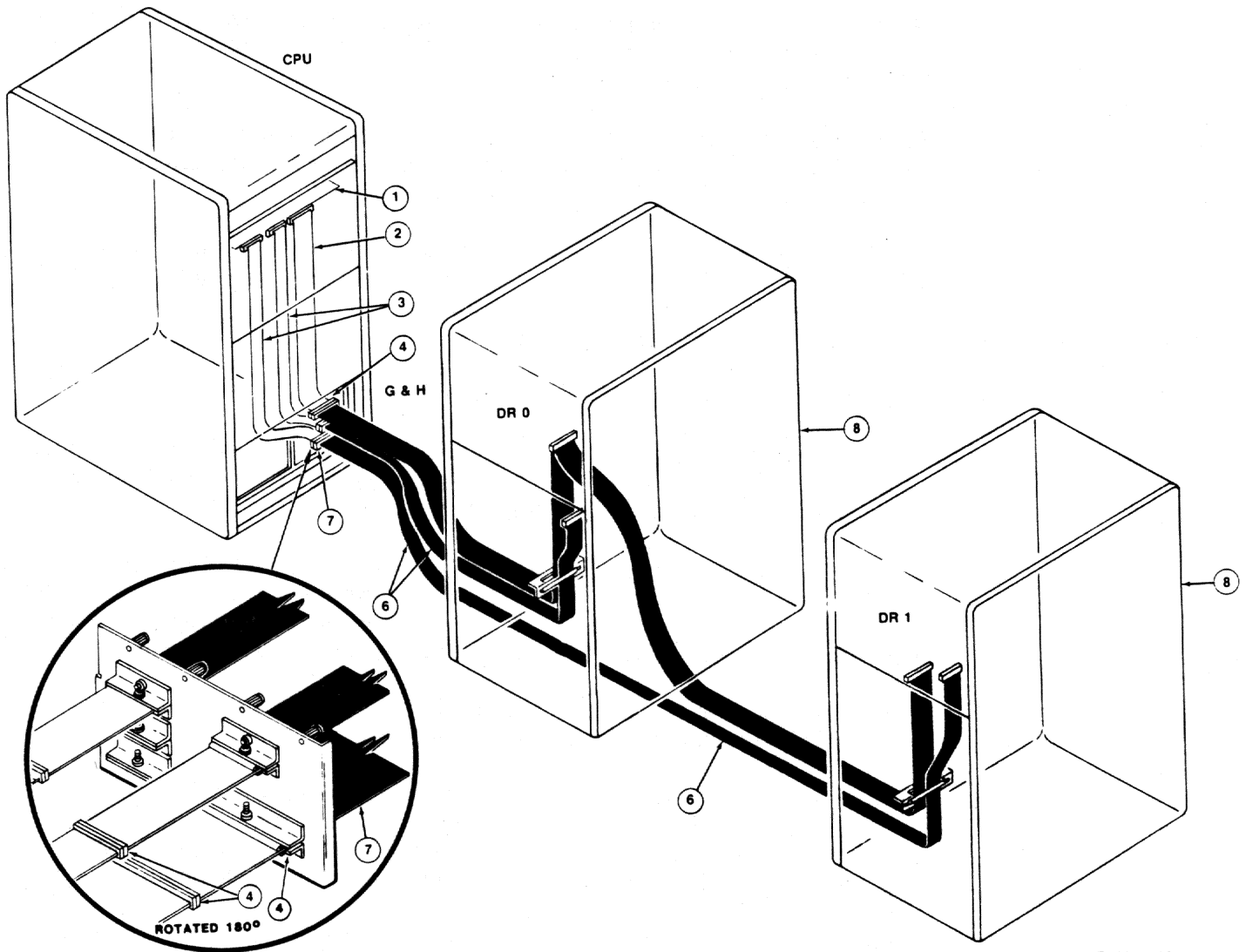
Figure 4-8. Rack-Mount Drive Cabling Configuration



10. Remove (or loosen) the clamping bars on the widest slot of the cable I/O adapter panel in the CPU or expansion cabinet.
11. Route one end of the prepared cable through the widest slot in the cable I/O adapter panel (see detail in Figure 4-5). Clamp the bare shielding against the cable I/O adapter panel with the clamping bar.
12. Find the arrow that is molded into the male cable header of the extension cable. Align this arrow with the corresponding arrow in the female header of the shielded cable and press the headers together.
13. Repeat steps 10 through 12 for each B cable, substituting B cable for A cable as appropriate and using the narrow slots in the cable I/O adapter panels.

#### Use the Following Steps for Rack Mount Configurations

14. Repeat steps 10 and 11 at the disk end of the cable.
15. Select an extension A cable that will reach from the cable I/O adapter panel in the RETMA rack to the first (lowest) disk drive (the position in the A cable daisy chain has no effect on unit number).
16. Find the arrow that is molded into the female cable header of the extension cable. Align the cable arrow with the corresponding arrow of one of the disk drive's A cable connectors and press the header into the connector. Make sure that the latches on the connector fully engage the cable header.
17. Select an extension B cable that will reach from the cable I/O adapter panel in the RETMA rack to the first (lowest) disk drive.
18. Find the arrow that is molded into the female cable header of the extension cable. Align the cable arrow with the corresponding arrow on the disk drive's B cable connector and press the header into the connector. Make sure that the latches on the connector fully engage the cable header.
19. Daisy-chain the A cable from the first disk drive to the remaining drives as described in step 5 of subsection 4.6.1.1. (You can use the unshielded cables listed Table 4-6 to interconnect the drives.)



UD3301-0558

1. Disk Controller PCBA
2. Nonshielded Extension A Cable
3. Nonshielded Extension B Cable
4. Cable Connectors, Extension Cables to Shielded Cables
5. Clamp - Shield of Shielded Cable Clamped Within
6. Shielded/Jacketed Cable, External to Equipment Cabinets
7. Cable I/O Adapter Panel
8. Peripheral Device

Figure 4-9. Freestanding Drive Cabling Configuration

20. Repeat step 17 of this procedure for the other disk drives in the rack.
21. Terminate the A cable at the last drive in the daisy chain by installing a terminator (included with the drive) on the drive's unused A cable connector.
22. Connect a ground cable from the logic ground of the CPU to the logic ground of the disk drives.

### **Use the Following Steps for Freestanding Drive Configurations**

23. Select two extension A cables long enough to reach from the drive's A cable connector to the peripheral cable adapter. (Alternatively, you can strip enough insulation off the shielded A cable to allow the shield to be clamped at the adapter and the cable head to connect at the drive's A cable connectors. If you use this approach, select a shielded A cable that is long enough to reach to the next drive in the daisy chain at this point, and prepare it by stripping the shield insulation at both ends.)
24. Connect both A cables to the drive's A cable connectors by matching pin 1 (molded-in arrow on cable header) and pressing the header onto the connector.
25. Select a shielded A cable that is long enough to reach the next drive in the daisy-chain.
26. Clamp both shielded A cables in the wide section of the peripheral cable adapter.
27. Connect the extension cables to the shielded cables as described in step 12.
28. Select an extension B cable that will reach from the peripheral cable adapter rack to the drive's B cable connector.
29. Clamp the shielded B cable from the controller in the peripheral adapter. Connect the extension cable and the shielded cabled as described in step 17.
30. Repeat steps 23 through 29 for the other drives in the subsystem.
31. Terminate the A cable at the last drive in the daisy chain by installing a terminator (included with the drive) on the drive's unused A cable connector.

**End of Procedure**

---

## 4.7 Integration and Operation

---

Before you can use the UD33, you must load the NOVDRAM with the configuration parameters of the drives that are controlled by the UD33. This can be done in two ways: by using a console emulator or by using a software program. Subsection 6.5.2 describes the console emulator technique. The Emulex PDP/LSI MSCP Formatter Program (QXMX8\_) and the VAX MSCP Disk Formatter Program (FVD32M) are supplied on several Emulex diagnostic program distributions as listed and described in Appendix C.

### NOTE

Drive configuration parameters must be loaded into the NOVDRAM before the controller can be used. The NOVDRAM is not loaded at the factory, and its contents are indeterminate as delivered by the factory.

---

### 4.7.1 Drive Formatting

---

Before data can be stored on the UD33's disk drives, the drives must be formatted. The program that Emulex provides to load the UD33's drive configuration NOVDRAM can also format the disk drives, verify the disk media, and reassign the blocks that it finds to be bad. The UD33 implements a format option that allows it to format its disk drives without help from system software. The UD33 also does a backdoor verify on the disk media that reassigns bad blocks. (See subsection 6.7.) We strongly recommend using the Emulex software programs to format and verify the disk media. See subsection 1.4 for ordering information.

---

### 4.7.2 Testing

---

Successfully loading the NOVDRAM and formatting the disk drives gives good indication that the UD33 and its disk drives are in good operating condition. Figure 5-1 illustrates the loading and formatting procedure in flow chart format, and the figure gives fault isolation information that can be used with the procedure. The Emulex PDP/LSI MSCP Formatter Program, QXMX8\_, and its VAX counterpart, FVD32M, follow a similar path, and the fault isolation information can be used with these programs as well.

---

### 4.7.3 Operation

---

There are no operational instructions. The UD33 is ready for MSCP initialization as soon as it is powered up.

---

#### 4.7.3.1 Indicators

---

There are three light emitting diodes (LED) on the UD33 PWB. These LEDs are used for both diagnostics and for normal operations.

If switch SW2-1 is OFF, the UD33 executes a self-test at the following times:

- on power-up
- after a reset condition
- after a bus initialization
- after a write operation to the Initialization and Polling (IP) register (base address)

The self-test routine consists of two test sequences: a preliminary test and a second self-test. The preliminary test sequence exercises the 8031 microprocessor chip and the Disk Formatter chip. When the UD33 successfully completes the preliminary test, LED3 illuminates, indicating that the UD33 is waiting for the MSCP initialization sequence.

During the MSCP initialization sequence, initiated by host software control, the UD33 executes a second self-test that exercises the buffer controller chip, the Host Adapter Controller (HAC) chip and its associated circuitry, the on-board RAM, and the control memory PROM. If the UD33 passes this sequence of its self-test successfully, all the LED indicators on the edge of the UD33 are OFF.

If a fatal error is detected either during self-test or while the system is running, all three of the edge-mounted LED indicators are ON (illuminated). If the UD33 fails to pass its power-up self-tests, you can select a special diagnostic mode (switch SW2-1 ON) which causes the LED indicators to display an error code. See Self-Test Error Reporting, in Section 5, TROUBLESHOOTING.

During normal operation, LED1 and LED2 flicker occasionally. These LEDs are used to indicate UNIBUS activity and SMD disk drive activity respectively.

**BLANK**

---

## **5.1 Overview**

---

This section describes the several diagnostic features with which the UD33 Disk Controller is equipped, and outlines fault isolation procedures that use these diagnostic features.

Subsection	Title
5.2	Service
5.3	Fault Isolation Procedure
5.4	Power-Up Self-Diagnostics
5.5	Fatal Error Codes

---

## **5.2 Service**

---

Your Emulex UD33 Disk Controller was designed to give years of trouble-free service, and it was thoroughly tested before leaving the factory.

Should one of the fault isolation procedures indicate that the UD33 is not working properly, the product must be returned to the factory or to one of Emulex's authorized repair centers for service. Emulex products are not designed to be repaired in the field.

Before returning the product to Emulex, whether the product is under warranty or not, you must contact the factory or the factory's representative for instructions and a Return Materials Authorization (RMA) number.

**Do not return a component to EMULEX without authorization.** A component returned for service without an authorization will be returned to the owner at the owner's expense.

In the continental United States, Alaska, and Hawaii contact:

Emulex Technical Support  
3545 Harbor Boulevard  
Costa Mesa, CA 92626  
(714)662-5600 TWX 910-595-2521

Outside the United States, contact the distributor from whom the subsystem was initially purchased.

To help you efficiently, Emulex or its representative requires certain information about the product and the environment in which it is installed. During installation, a record of the switch setting should have been made on the Configuration Reference Sheet. This sheet is contained in the Installation Section, Figure 4-1.

After you have contacted Emulex and received an RMA, package the component (preferably using the original packing material) and send the component **postage paid** to the address given you by the Emulex representative. The sender must also insure the package.

---

### 5.3 Fault Isolation Procedure

---

This fault isolation procedure is provided in flowchart format. The procedure is based on the self-diagnostics incorporated into the UD33. The procedure is designed to be used if the product's self-diagnostic fails or if many errors are flagged by the subsystem during normal operation. If neither of these events happens, it is not necessary to follow these procedures.

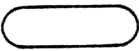
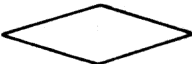

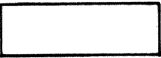
The Fault Isolation Chart is shown in Figure 5-1. The chart symbols are defined in Table 5-1.

If the fault isolation procedure indicates that a component needs to be returned to Emulex, see subsection 5.2 for instructions on how to do so.

#### NOTE

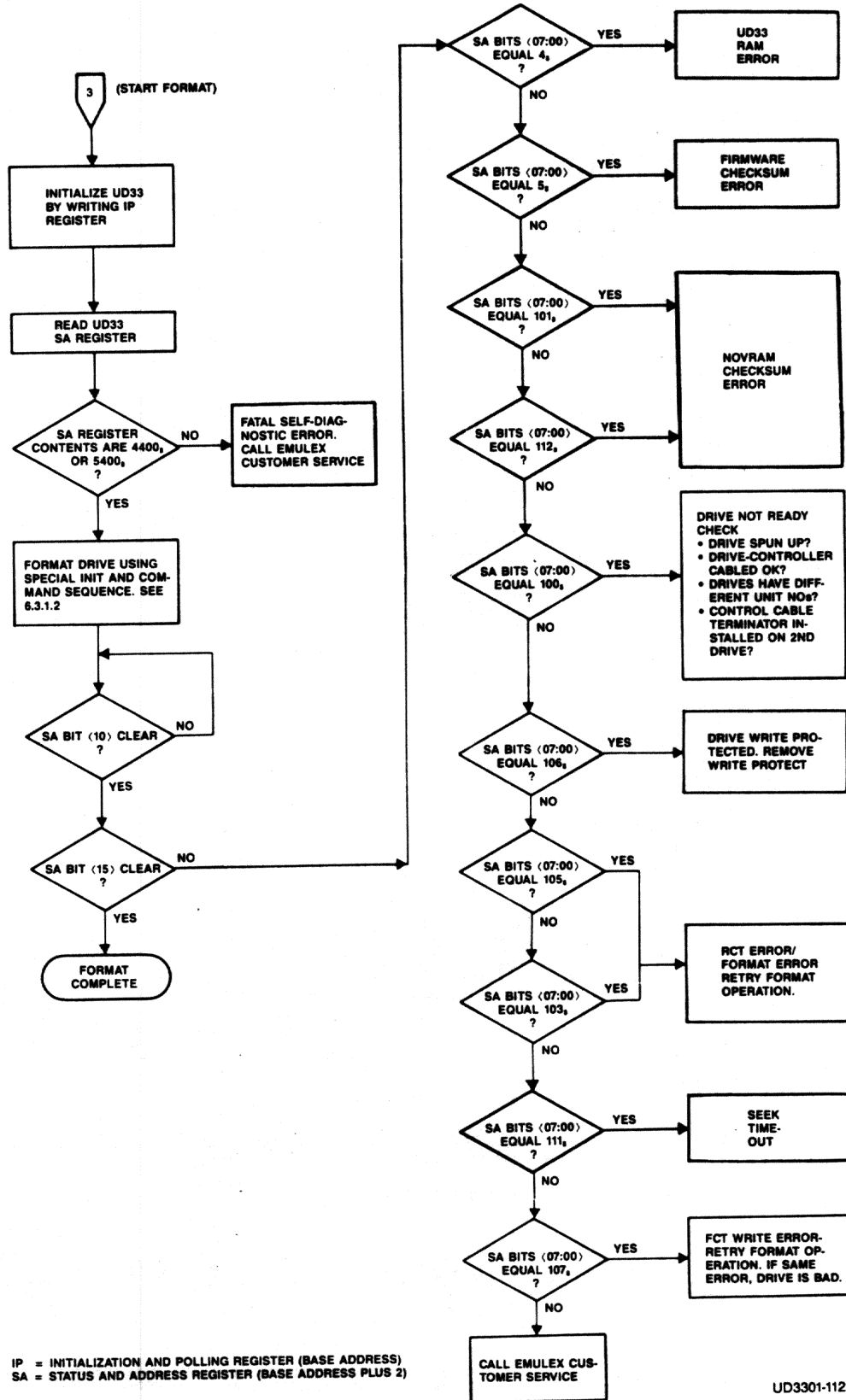
All values given in the Fault Isolation Chart are in octal notation.

Table 5-1. Flow Chart Symbol Definitions

Symbol	Description
	Start point, ending point.
	Decision, go ahead according with YES or NO.
	Connector, go to same-numbered symbol on another sheet.
	Process.

UD3301-0106





IP = INITIALIZATION AND POLLING REGISTER (BASE ADDRESS)  
SA = STATUS AND ADDRESS REGISTER (BASE ADDRESS PLUS 2)

UD3301-1122

Figure 5-1. Fault Isolation Chart (sheet 1 of 2)

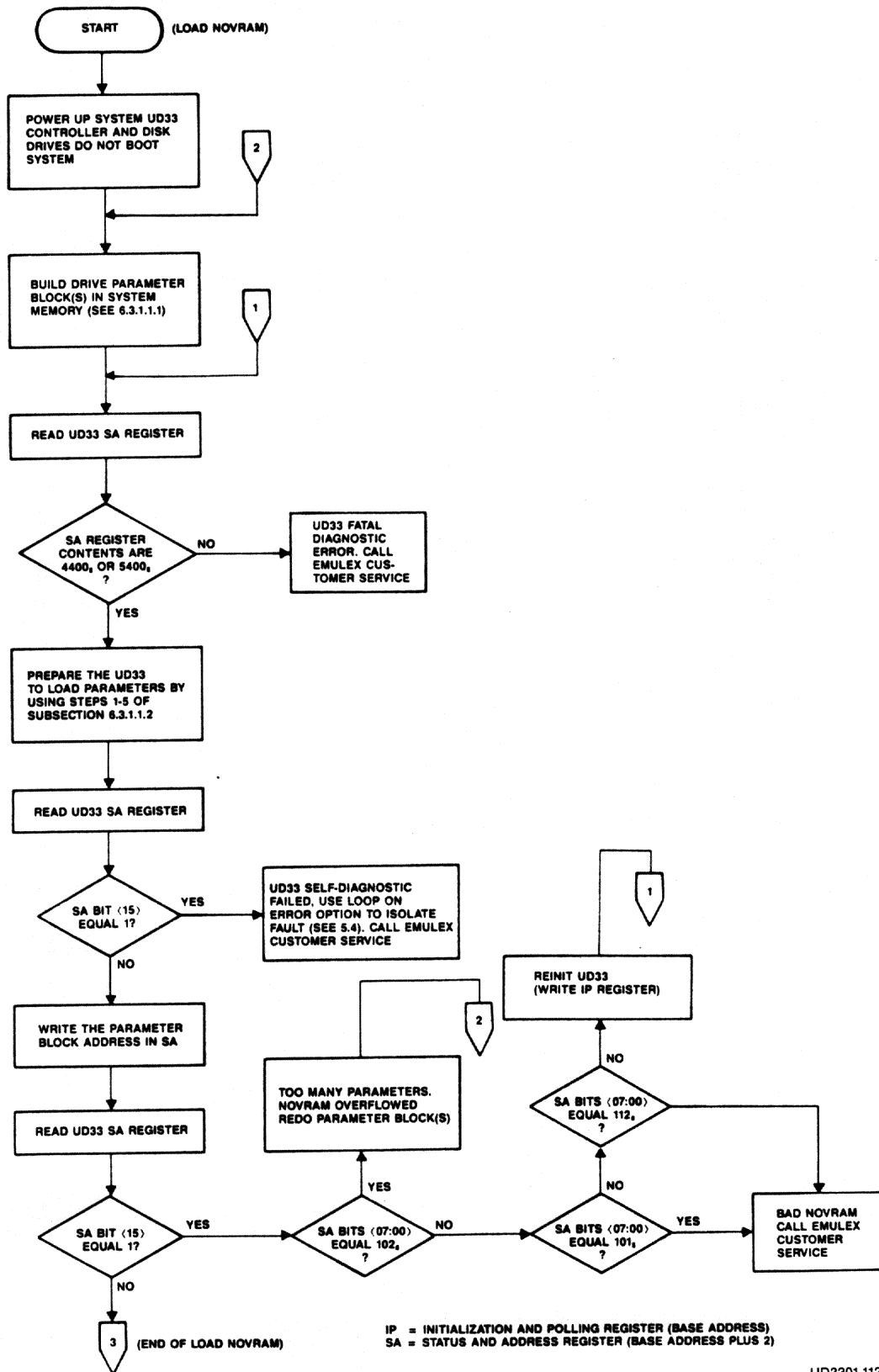


Figure 5-1. Fault Isolation Chart (Sheet 2 of 2)

## 5.4 Power-up Self Diagnostic

The UD33 executes an extensive self-diagnostic to ensure that the disk controller is in good working order. The self-diagnostic is divided into several parts. Table 5-2 lists the tests in the order in which they are performed.

The first two tests are executed immediately after power-up, a reset, a bus INIT, or a write to the IP register (base address). The other tests are executed as the controller interacts with the MSCP initialization routine. If the UD33 fails any of the tests, it posts an MSCP fatal error code in the low-byte of the SA register (base address plus 2) and turns on three LEDs which are located on the outside edge of the PWB. The MSCP fatal error codes used by the UD33 are listed in Table 5-3.

To help determine the location of the problem, the operator can select a special diagnostic mode that causes the LEDs to display an error code. To enable this diagnostic mode, place the CPU halt switch in the ON position and set UD33 switch SW2-1 ON (1). After setting SW2-1 ON, the host computer must be powered down or UD33 switch SW1-1 must be toggled (turned ON and then OFF) to cause the UD33 to again perform its self-test.

Upon encountering an error, the host microprocessor halts and the LEDs display an error code. The error codes are listed and described in Table 5-2.

If the UD33 completes the diagnostic mode without errors, all three LEDs are OFF. Set switch SW2-1 in the OFF position and reset the UD33 controller before using.

Table 5-2. LED Error Codes

LED			Error Description
3	2	1	
0	0	1	CPU Chip Test failed
0	1	0	Formatter Chip Test failed
1	0	0	Controller idle, waiting for initialization
0	1	1	Buffer Controller or External Memory Test failed
1	0	1	HAC Test failed
1	1	0	Emulation PROM Checksum Test failed
0	0	0	Self-Diagnostic complete without errors

## 5.5 Fatal Error Codes

If the UD33 encounters a fatal error anytime during operation, all three LEDs are illuminated and an error code is posted in the low-byte of the SA register (base address plus 2). Table 5-3 lists the MSCP fatal error codes used by the UD33.

Table 5-3. MSCP Fatal Error Codes used by the UD33

Octal Code	Hex Code	Description
0	0	No information in message packet.
1	1	Possible parity or timeout error when the UD33 attempted to read data from a message packet.
2	2	Possible parity or timeout error when the UD33 attempted to write data to a message packet.
4	4	UD33 diagnostic self-test indicated a controller RAM error.
5	5	UD33 diagnostic self-test indicated a firmware checksum error.
6	6	Possible parity or timeout error when the UD33 attempted to read an envelope address from a command ring.
7	7	Possible parity or timeout error when the UD33 attempted to write an envelope address to a command ring.
11	9	Host did not communicate with UD33 within the time frame established while bringing the controller online.
12	A	Operating system sent more commands to the UD33 than the controller can accept.

Table 5-3. MSCP Fatal Error Codes used by the UD33  
(continued)

Octal Code	Hex Code	Description
13	B	Controller unable to perform DMA transfer operation correctly.
14	C	UD33 diagnostic self-test indicated controller fatal error.
16	E	The MSCP connection identifier is invalid.
23	13	An error occurred during the MSCP initialization sequence.

In addition, fatal error messages may appear during the firmware formatting procedure (subsection 6.7). These error codes are listed in Table 5-4.

Table 5-4. Error Codes Unique to Firmware Formatting

Octal Code	Hex Code	Description
004	04	RAM error
005	05	Firmware checksum error
100	40	Drive not ready
101	41	NOVRAM checksum error
103	43	RCT Write error
105	45	Format error
106	46	Drive write protected
107	47	FCT Write error
111	49	Seek timeout
112	4A	NOVRAM Communication Error

**BLANK**

---

## **6.1 Overview**

---

This section contains an overview of the UD33 device registers that are accessible to the UNIBUS and that are used to monitor and control the UD33 Disk Controller. The registers are functionally compatible with DEC implementations of MSCP controllers.

The following table outlines the contents of this section.

Subsection	Title
6.2	Overview of MSCP Subsystem
6.3	Programming
6.4	Registers
6.5	NOVRAM Command
6.6	Bootstrap Command
6.7	Firmware Formatting Command

---

## **6.2 Overview of MSCP Subsystem**

---

Mass Storage Control Protocol (MSCP) is the protocol used by a family of mass storage controllers and devices designed and built by Digital Equipment Corporation. MSCP allows a host system to be connected to subsystems with a variety of capacities and geometries. This flexibility is possible because MSCP defines data locations in terms of sequential, logical blocks, not in terms of a physical description of the data's location (i.e., cylinder, track, and sector). This scheme gives the MSCP subsystem the responsibility for converting MSCP logical block numbers into physical addresses that the peripheral device can understand.

This technique has several implications. First, the MSCP subsystem must have detailed knowledge of the peripheral's capacity, geometry, and status. Second, the ability to make the translation between logical and physical addresses implies considerable intelligence on the part of the subsystem. Finally, the host is relieved of responsibility for error detection and correction because its knowledge of the media is insufficient to allow error control to be done efficiently.

There are several advantages to this type of architecture. First, it provides the host with an "error free" media. Second, it provides for exceptional operating system software portability because, with the exception of capacity, the characteristics of all MSCP subsystems are the same from the operating system's point of view.

In terms of implementation, this protocol requires a high degree of intelligence on the part of the subsystem. Essentially, this intelligence is a process that runs on a microprocessor and is referred to as an MSCP controller. The MSCP controller has all of the responsibilities outlined above.

The host computer runs corresponding software processes which take calls from the operating system, convert them into MSCP commands, and cause the resulting command to be transferred to the MSCP controller.

In summary, an MSCP subsystem is characterized by an intelligent controller that provides the host with the view of a perfect media. It is further characterized by host independence from a specific bus, controller, or device type.

For more information about MSCP subsystems, see subsections 3.2, 3.3, and 3.4.

---

## **6.3 Programming**

---

A complete description of MSCP commands and the corresponding status responses which the UD33 Disk Controller posts is beyond the scope of this manual.

---

### **6.3.1 Command Support**

---

No currently available MSCP Controller supports the entire range of MSCP commands. The following subsections describe the extent of MSCP command support by the UD33.

---

#### **6.3.1.1 Minimal Disk Subset**

---

The UD33 Disk Controller supports the entire minimal disk subset of MSCP commands.

---

#### **6.3.1.2 Diagnostic and Utility Protocol (DUP)**

---

The UD33 Disk Controller does not support any of the DUP commands or maintenance read/write commands. Therefore, the UD33 is not compatible with DEC diagnostics that use the MSCP DUP commands.



---

## 6.4 Registers

---

During normal operation, the UD33 Disk Controller is controlled and monitored using the command and status packets that are exchanged by the Class Driver (host) and the MSCP Controller. The UD33 has two 16-bit registers in the UNIBUS I/O page that are used primarily to initialize the subsystem. During normal operation, the registers are used only to initiate polling or to reset the subsystem. These registers are always read as words. The register pair begins on a longword boundary. Table 6-1 lists the octal and hexadecimal values for the Initialization and Polling (IP) register (base address) and the Status and Address (SA) register (base address plus 2) supported by the UD33.

The IP register (base address) has two functions as detailed below:

- When written with any value, it causes a hard initialization of the MSCP Controller.
- When read while the port is operating, it causes the controller to initiate polling.

The SA register (base address plus 2) has four functions as listed below:

- When read by the host during initialization, it communicates data and error information relating to the initialization process.
- When written by the host during initialization, it communicates certain host-specific parameters to the port.
- When read by the host during normal operation, it communicates status information including port and controller-detected fatal errors.
- When zeroed by the host during either initialization or normal operation, it signals the port that the host has successfully completed a bus adapter purge in response to a port-initiated purge request.

Note that only word transfers to and from IP and SA are permissible; the behavior of byte transfers is undefined.

Table 6-1. UD33 IP and SA Registers

UD33 Address		VAX-11/730 VAX-11/750 Hex Address With Offset	----- VAX-11/780 ----- Hex Address with Offset			
Octal	Hex		UBA #0	UBA #1	UBA #2	UBA #3
772150	F468	FFF468	2013F468	2017F468	201BF468	201FF468
772152	F46A	FFF46A	2013F46A	2017F46A	201BF46A	201FF46A
772154	F46C	FFF46C	2013F46C	2017F46C	201BF46C	201FF46C
772156	F46E	FFF46E	2013F46E	2017F46E	201BF46E	201FF46E
760334	E0DC	FFE0DC	2013E0DC	2017E0DC	201BE0DC	201FE0DC
760336	E0DE	FFE0DE	2013E0DE	2017E0DE	201BE0DE	201FE0DE
760340	E0E0	FFE0E0	2013E0E0	2017E0E0	201BE0E0	201FE0E0
760342	E0E2	FFE0E2	2013E0E2	2017E0E2	201BE0E2	201FE0E2
760344	E0E4	FFE0E4	2013E0E4	2017E0E4	201BE0E4	201FE0E4
760346	E0E6	FFE0E6	2013E0E6	2017E0E6	201BE0E6	201FE0E6
760350	E0E8	FFE0E8	2013E0E8	2017E0E8	201BE0E8	201FE0E8
760352	E0EA	FFE0EA	2013E0EA	2017E0EA	201BE0EA	201FE0EA
760354	E0EC	FFE0EC	2013E0EC	2017E0EC	201BE0EC	201FE0EC
760356	E0EE	FFE0EE	2013E0EE	2017E0EE	201BE0EE	201FE0EE
760360	E0F0	FFE0F0	2013E0F0	2017E0F0	201BE0F0	201FE0F0
760362	E0F2	FFE0F2	2013E0F2	2017E0F2	201BE0F2	201FE0F2
760364	E0F4	FFE0F4	2013E0F4	2017E0F4	201BE0F4	201FE0F4
760366	E0F6	FFE0F6	2013E0F6	2017E0F6	201BE0F6	201FE0F6
760370	E0F8	FFE0F8	2013E0F8	2017E0F8	201BE0F8	201FE0F8
760372	E0FA	FFE0FA	2013E0FA	2017E0FA	201BE0FA	201FE0FA

continued on next page

Table 6-1. UD33 IP and SA Registers (continued)

UD33 Address		VAX-11/730 VAX-11/750 Hex Address With Offset	----- VAX-11/780 ----- Hex Address with Offset			
Octal	Hex		UBA #0	UBA #1	UBA #2	UBA #3
760374	E0FC	FFE0FC	2013E0FC	2017E0FC	201BE0FC	201FE0FC
760376	E0FE	FFE0FE	2013E0FE	2017E0FE	201BE0FE	201FE0FE
760400	E100	FFE100	2013E100	2017E100	201BE100	201FE100
760402	E102	FFE102	2013E102	2017E102	201BE102	201FE102
760404	E104	FFE104	2013E104	2017E104	201BE104	201FE104
760406	E106	FFE106	2013E106	2017E106	201BE106	201FE106
760410	E108	FFE108	2013E108	2017E108	201BE108	201FE108
760412	E10A	FFE10A	2013E10A	2017E10A	201BE10A	201FE10A
760414	E10C	FFE10C	2013E10C	2017E10C	201BE10C	201FE10C
760416	E10E	FFE10E	2013E10E	2017E10E	201BE10E	201FE10C
760420	E110	FFE110	2013E110	2017E110	201BE110	201FE110
760422	E112	FFE112	2013E112	2017E112	201BE112	201FE112

---

## 6.5 NOVRAM Commands

---

The UD33 allows the user to specify media geometry for the SMD disk drives that it supports. The geometry data is stored in a Nonvolatile Random Access Memory (NOVRAM) on the UD33. When used with the UD33, the NOVRAM can store configurations for four physical (eight logical) SMD disk drives.

The NOVRAM is programmed while the UD33 is installed by loading the drive geometry parameters into the host computer's memory and by executing a command sequence that causes the UD33 to read those parameters. Both operations can be performed manually by using the CPU console (or a console emulator such as ODT), or automatically by using a special utility. Emulex provides utilities for VAX-11 and PDP-11 processors: the VAX MSCP Disk Formatter Program (FVD32M) and the Emulex LSI/PDP MSCP Formatter Program (QXMX8). See subsection 1.4.1, Subsystem Options, for ordering information.

The following subsections describe the geometry parameters that are required, their format, and the command sequence that causes the parameters to be stored in the NOVRAM.

---

### 6.5.1 Drive Geometry Parameters

---

The UD33 NOVRAM defines a maximum of four physical drive configurations and uses a separate parameter information block to define each drive configuration type. Each block contains the 16 words that define the drive parameters. Figure 6-1 shows the format of the parameters and lists them. Emulex recommends that you document the parameters you select for your drive types using the Drive Configuration Parameter Block Worksheet in Figure 6-1.

The blocks are placed anywhere in the first 64K of memory and must be contiguous. The first word of the parameter block can be stored at any even address. The addresses of subsequent words and parameter blocks are contiguous and numerically higher.

The parameter block at the lowest numerical address defines the first drive connected to the UD33. If a second drive is configured exactly as the first drive, that first parameter block can define both drives. If a second drive is configured differently, a second parameter block must be defined. If you are using the console emulator, be sure that the memory location following the last word in the last parameter block contains 0.

	Parameter	Drive Type 1	Drive Type 2
Word 1	Number of Units Of this Type		
Word 2	Type Code		
Word 3	Starting Head Offset		
Word 4	Number of Sectors Per Track		
Word 5	Number of Heads		
Word 6	Number of Cylinders		
Word 7	Number of Spare Sectors per Track		
Word 8	Number of Alternate Cylinders		
Word 9	Configuration Bits		
Word 10	Split Code		
Word 11	Removable Media Flag		
Word 12	Gap 0 Parameter		
Word 13	Gap 1 Parameter		
Word 14	Gap 2 Parameter		
Word 15	Cylinder Offset		
Word 16	Spiral Offset		

Figure 6-1. Drive Configuration Parameter Block Worksheet  
(Sheet 1 of 2)

Parameter	Drive Type 3	Drive Type 4
<b>Word 1</b> Number of Units Of this Type		
<b>Word 2</b> Type Code		
<b>Word 3</b> Starting Head Offset		
<b>Word 4</b> Number of Sectors Per Track		
<b>Word 5</b> Number of Heads		
<b>Word 6</b> Number of Cylinders		
<b>Word 7</b> Number of Spare Sectors per Track		
<b>Word 8</b> Number of Alternate Cylinders		
<b>Word 9</b> Configuration Bits		
<b>Word 10</b> Split Code		
<b>Word 11</b> Removable Media Flag		
<b>Word 12</b> Gap 0 Parameter		
<b>Word 13</b> Gap 1 Parameter		
<b>Word 14</b> Gap 2 Parameter		
<b>Word 15</b> Cylinder Offset		
<b>Word 16</b> Spiral Offset		

*Figure 6-1. Drive Configuration Parameter Block Worksheet  
(Sheet 2 of 2)*

**Number of Units of this Type (1)**

This word specifies the number of physical disk drives that this parameter block defines. This number cannot be larger than 4. If this word is 0, then words 2 through 16 are ignored.

**Type Code (2)**

This word indicates the type of disk drive. The only valid value is 1.

**Starting Head Offset (3)**

This word specifies the physical drive head that is to be used as the first head of the second logical drive. This field has meaning only if a Split Code 2 or 3 (word 10) is specified. The valid range is from 1 through 62. The exception to this is if a Split Code of 0 or 1 is selected, then this word must be 0.

**Number of Sectors per Track (4)**

This word specifies the number of logical sectors per physical track. Spare sectors are not included in this number (but are specified in word 7). The valid range is from 1 through 255. See Appendix D for recommended parameters for certified drives.

**Number of Heads (5)**

This word specifies the number of data heads per physical drive. The valid range is from 1 through 63.

**Number of Cylinders (6)**

This word specifies the number of logical cylinders per physical drive. Spare cylinders are not included in this number (but are specified in word 8). The valid range is from 1 through 4095.

**Number of Spare Sectors per Track (7)**

This word specifies the number of spare sectors reserved per track. This number plus the number of logical sectors per track (word 4) equals the total number of physical sectors per track. The valid range is 0 or 1. If 0 is specified, no spare sectors are reserved. Emulex recommends a value of 1 for MSCP implementation of the replace block command.

### Number of Alternate Cylinders (8)

This word specifies the number of spare cylinders per physical drive. This number plus the number of logical cylinders (word 6) equals the total number of physical cylinders. The valid range is from 0 through 15. At least two cylinders must be specified as alternates for MSCP implementation of the replace block command. (If spare sectors are specified, the sector replacement algorithm needs one track for working space.)

If Split Code 1 is used, you must specify twice the normal number of alternate cylinders because they are divided evenly between the two logical drives. A minimum of 2 alternate cylinders must be specified if block replacement is to function with a cylinder split.

### Configuration Bits (9)

The word called "Configuration Bits" actually defines both **Configuration Bits** and **Rotational Position Sensing (RPS)**.

The low byte of the word defines Configuration Bits, which contain some additional configuration parameters of the drive. The valid range is from 0 through 7. This byte has a 3-bit field that is defined as follows:

**Bit 0:** This bit specifies whether or not the drive negates the On Cylinder signal during a head select operation. The valid range for this bit is 0 or 1. If this bit is 0, the On Cylinder signal remains on during a head select. If this bit is 1, the On Cylinder signal is negated during a head select.

**Bit 1:** This bit specifies whether or not the drive can perform early or late data strobe operations. The valid range for this bit is 0 or 1. If this bit is 0, the drive cannot perform early or late data strobe operations. If this bit is 1, the drive is capable of performing early or late data strobe operations.

**Bit 2:** This bit specifies whether or not the drive is capable of head offset operations. The valid range for this bit is 0 or 1. If this bit is 0, the drive cannot perform head offset operations. If this bit is 1, the drive is capable of performing head offset operations.



Rotational Position Sensing increases the performance of the disk subsystem during data transfer when two or more drives are active. RPS allows the controller to determine which drive is rotationally closest to any of the data transfers in the controller command buffer. By matching a data transfer with the drive rotationally closest to that command, the rotational latency is reduced, therefore increasing throughput of the subsystem.

The high byte of Word 9 contains the upper and lower limits of where the drive will perform RPS. The lower four bits contain the low limit and the upper four bits contain the high limit. Recommended values are given in the NOVRAM parameter tables. If you calculate the decimal value for each nibble, each will have, of course, a minimum value of 0 and a maximum value of 15. These values correspond directly to the number of sectors ahead on the disk that make up the RPS window.

If RPS is enabled, it looks at the drive's current sector number after an initial seek has been completed for that drive, and calculates how far away the target sector is. If this value falls within the range specified in the RPS byte of NOVRAM Word 9, the read/write operation begins immediately on that drive. If the sector is not found in the RPS window, the next drive that is executing a seek undergoes the same process.

The recommended lower RPS limit ensures adequate time for proper controller response. Lowering this value will decrease performance by causing extra disk revolutions, since the disk is still spinning between the time the seek is begun and the time it is completed. The optimal high limit for RPS depends heavily on system factors, such as drive types and operating system usage. Though the recommended value is the optimal one for most applications, it is possible that small adjustments could increase system performance.

For example, if you have a two-drive system with a 2.4 M<sub>HZ</sub> drive (let us call this Drive 0) and a 1.2 M<sub>HZ</sub> drive (Drive 1), you would expect to see about twice as many I/O operations completed on Drive 0 as on Drive 1. By setting the Drive 0 RPS value to a low upper limit, and by setting the Drive 1 RPS value to a high upper limit, the number of completed I/O operations will even out significantly. On a heavily loaded system, this will result in more efficient overall subsystem performance.

If only one drive is used with the UD33, RPS should be disabled. You should also disable RPS if you are unfamiliar with the geometry of each of your drives. To disable RPS, simply write a zero in this byte.

**NOTE**

Index and Sector signals must be on the B cable for RPS to function. See subsection 4.3.3.6.

**Split Code (10)**

This word allows the drive(s) defined by this parameter block to be split into two logical disk units (two each, if more than one drive is defined by this block). The split codes are:

**Code 0:** No split.

**Code 1:** The cylinders are divided between the two logical drives. A starting cylinder offset value (word 15) specifies the first cylinder of the second logical drive.

**Code 2:** The drives data heads are divided between the two logical drives. A starting head offset value (word 3) specifies the first head of the second logical drive. If you select a head split code on a drive with both fixed and removable media, the removable media may be configured as logical unit number (LUN) 0 and the fixed media as LUN 1.

**Code 3:** Identical to Code 2 except the logical assignments for the physical drives are reversed. Reverse head split codes also divide the drive by data heads, but assign the lower numbered heads to drive 1 and the higher numbered heads to drive 0.

By using Codes 2 and 3, you can partition drives that use both fixed and removable media so that either the fixed media or removable media is the lower logical unit number.

The UD33's seek-ordering and overlapped seek processing capabilities are not effective when both logicals of a split physical drive are active. Therefore, Emulex does not recommend using this option unless necessary to allow for convenient file backup and restoration.

For more information on split codes, see subsection 3.4.2.1.

**Removable Media (11)**

This word indicates whether the disk media is fixed or removable. If you are defining 1 physical/logical drive, this word uses a 1-bit field and valid values are 0 and 1 where 0 indicates fixed media and 1 indicates removable media.

If you are defining a drive with a logical split, this word uses a 2-bit field and the valid range is 0 through 3:

Parameter Word Value	Bit 1 0	Definition
0	0 0	LUN 0 and LUN 1 are both fixed.
1	0 1	LUN 0 is removable, LUN 1 is fixed.
2	1 0	LUN 0 is fixed, LUN 1 is removable.
3	1 1	LUN 0 and LUN 1 are both removable.

**Gap 0 Parameter (12)**

This word, in conjunction with words 13 and 14, specifies the recording format for each sector on the drive. The only valid values are contained in Appendix D, Disk Drive Configuration Parameters. These values are factory parameters and are the only values to be used with Emulex certified drives. If any of these factory parameters are altered, the UD33 may not support the disk drive.

**Gap 1 Parameter (13)**

This word, in conjunction with words 12 and 14, specifies the recording format for each sector on the drive. The only valid values are contained in Appendix D, Disk Drive Configuration Parameters. These values are factory parameters and are the only values to be used with Emulex certified drives. If any of these factory parameters are altered, the UD33 may not support the disk drive.

### Gap 2 Parameter (14)

This word, in conjunction with words 12 and 13, specifies the recording format for each sector on the drive. The only valid values are contained in Appendix D, Disk Drive Configuration Parameters. These values are factory parameters and are the only values to be used with Emulex certified drives. If any of these factory parameters are altered, the UD33 may not support the disk drive.

### Cylinder Offset (15)

This word specifies the physical cylinder that is to be used as the first cylinder of the second logical drive. This field has meaning only if a Split Code 1 (word 10) is specified. If a Split Code 0, 2, or 3 is selected, this word must be 0.

### Spiral Offset (16)

This word specifies the number of sectors by which sector 0 is offset from sector 0 of the previous track. Offsetting sector 0 from one track to the next is a technique that is used to reduce latency when performing write or read operations that cross a track boundary. When the drive is formatted, sector 0 of a track is offset a certain number of sectors from the position of sector 0 on the previous track. When this is done, spiral write and read operations are more efficient because the drive has time to seek from track to track before encountering sector 0.

The valid range is from 0 through 15. See Appendix D for recommended parameters for certified drives.

## 6.5.2 Loading the NOVRAM

A special sequence of commands causes the UD33 to load the parameter blocks from memory into the NOVRAM. The process uses the Initialization and Polling (IP) register (UD33 base address) and the Status and Address (SA) register (base address plus 2). See section 6.4 for register octal and hexadecimal notation.

To load the NOVRAM on a Unibus VAX, you must first prepare the system for NPR transfer operations:

1. Load memory locations with drive parameter tables. If you have a running system, you must bring it down before executing this step.
2. Apply power to the system and turn off memory management by depositing 1 in internal memory register 38.

*Turn it off dummy!*  
>>>D/I 38 @<return>

3. Set the map register for the first page in memory to 0 by depositing  $80000000_{16}$  in map register  $20088000_{16}$ , as follows.

For 11/78x or 86xx:

>>>D/P/L 2006800 80000000<return>

For 11/750 or 11/730:

>>>D/P/L F30800 80000000<return>

4. Proceed to step 1 of the NOVRAM command sequence. Be sure to store the NOVRAM parameters starting at memory location 0.

To load the NOVRAM:

1. Initialize the UD33 by writing any value into the IP register (base address). The UD33 performs its self-test and begins the initialization dialog.

Register	Octal	Hexadecimal
IP: Write	000001	0001

- ✓ 2. The UD33 indicates that initialization step 1 has begun by setting bit 11 in the SA register (base address plus 2). The host must poll the register for this value (no interrupt is generated). Bit 8 should also be set.

Register	Octal	Hexadecimal
SA: Read	004400	0900

- ✓ 3. When the controller indicates that step 1 of the initialization dialog is begun, load the SA register (base address plus 2) with the "special initialization code:"

Register	Octal	Hexadecimal
SA: Write	030003	3003 ←

- ✓ 4. The controller acknowledges the initialization code with: 00400.

Register	Octal	Hexadecimal
SA: Read	000400	0100

- ✓ 5. Write the Define Unit Geometry command into the SA register (base address plus 2):

Register	Octal	Hexadecimal
SA: Write	041000	4200 ←

- ✓ 6. The UD33 finishes its self-test (about two seconds) before acknowledging with:

Register	Octal	Hexadecimal
SA: Read	001010	0208

You must wait until the UD33 acknowledges before proceeding.

- ✓ 7. Write the 16-bit memory address of the first word of the first parameter block into the SA register (base address plus 2).

For example, if you loaded the first word of the first parameter block at memory address 001000:

Register	Octal	Hexadecimal
SA: Write	001000	0200

8. The UD33 begins loading the parameter blocks. Word 17 of the last parameter block must be 0 to indicate that there is no more data (Word 17 would be the first word of the next parameter block, if there was another).

After the UD33 has stored the parameter data in the NOVRAM, it reads the data from the NOVRAM and computes a one-byte checksum. It places the checksum in the SA register (base address plus 2). The host knows that the checksum is available when bit 09 of SA register (base address plus 2) is clear (0).

If the UD33 sets SA register (base address plus 2) bit 15 after it clears bit 09, an error has occurred. The low byte contains the error code.

Error Code	Description
101 <sub>8</sub> 41 <sub>16</sub>	Checksum error (NOVRAM may be bad)
102 <sub>8</sub> 42 <sub>16</sub>	NOVRAM capacity exceeded (too many parameters)
112 <sub>8</sub> 4A <sub>16</sub>	NOVRAM communication error

## 6.6 Bootstrap Command

To allow the system to be easily bootstrapped from peripherals attached to the UD33 Disk Controller, Emulex has incorporated a Bootstrap Command into the controller. This feature is not part of the standard MSCP command set.

The Bootstrap Command can be issued from the console after the system is powered up, or it may be incorporated into a firmware routine that is located in a Bootstrap ROM. (The ROM would not be located on the UD33 PWB, but on some other module in the system.) The Bootstrap Command causes the UD33 to load the first logical block from the selected peripheral into host memory starting at location 00000.

To issue the Bootstrap Command to the UD33:

1. Initialize the UD33 by writing any value into the IP register (base address). The UD33 performs self-test and begins the initialization dialog.

Register	Octal
IP: Write	000001

2. The UD33 indicates that initialization step 1 has begun by setting bit 11 in the SA register (base address plus 2). The host must poll the register for this value (no interrupt is generated). Bit 8 should also be set.

Register	Octal
SA: Read	0044000

3. When the controller indicates that step 1 of the initialization dialog is begun, load the SA register (base address plus 2) with the "special initialization code:"

Register	Octal
SA: Write	030003

4. The controller acknowledges the initialization code with 00400.

Register	Octal
SA: Read	000400

5. Load the SA register (base address plus 2) with  $04000n_8$  or  $400n_{16}$ , where n is the MSCP logical unit number of the unit to bootstrap from. In this example, the unit is 0.

Register	Octal
SA: Write	040000

6. Load CPU register R0 with the MSCP unit number of the unit to bootstrap from. In this example, the unit is 0.

Register	Octal
R0: Write	00000



7. Load CPU register R1 with the base address of the UD33. In this example, the UD33 is at the standard base address.

Register	Octal
R1: Write	772150

8. Load the Processor Status Word (PSW) register with 340.

Register	Octal
PSW Write	340

9. Load CPU register R7 with 0.

Register	Octal
R7: Write	0

10. At the console emulator prompt, enter P to begin:

@P

## 6.7 Format Drive Command

The UD33 also has the ability to format the disk drives attached to it. This format operation is performed autonomously by the UD33 in response to a special initialization command. The process uses the IP register (base address) and SA register (base address plus 2). Refer to subsection 6.4 for octal and hexadecimal notation. To initiate the format operation, use the following procedure.

1. Initialize the UD33 by writing any value into the IP register (base address). The UD33 performs self-test and begins the initialization dialog.

Register	Octal	Hexadecimal
IP: Write	000001	0001

2. The UD33 indicates that initialization step 1 has begun by setting bit 11 in the SA register (base address plus 2). The host must poll the register for this value (no interrupt is generated). Bit 8 should also be set.

Register	Octal	Hexadecimal
SA: Read	004400	0900

3. When the controller indicates that step 1 of the initialization dialog is begun, load the SA register (base address plus 2) with the "special initialization code:"

Register	Octal	Hexadecimal
SA: Write	030003	3003

4. The controller acknowledges the initialization code with 00400.

Register	Octal	Hexadecimal
SA: Read	000400	0100

5. Write the Format Unit command into the SA register (base address plus 2):

Register	Octal	Hexadecimal
SA: Write	0420nn	440n

where n is the number of the logical unit to be formatted. Valid values for a maximum of 15 logical drives are  $0-17_8$  and  $0-F_{16}$ . If the logical drive is supported by an alternate UD33 controller, add the unit offset specified by switches SW1-2 through SW1-4.

6. The UD33 acknowledges the command with:

Register	Octal	Hexadecimal
SA: Read	001000	0200

7. Write the 16-bit volume serial number into the SA register (base address plus 2). This number may be any value from 1 to  $177777_8$  ( $FFFF_{16}$ ).

Register	Octal	Hexadecimal
SA: Write	000001	0001

8. The UD33 acknowledges the serial number with:

Register	Octal	Hexadecimal
SA: Read	002000	0400

9. Write the format parameter word into the SA register (base address plus 2). (The format parameter word is not defined and is reserved for future use. Write all zeros into the register.) The UD33 begins formatting the selected drive.

Register	Octal	Hexadecimal
SA: Write	000000	0000

10. Poll the SA register (base address plus 2) until the UD33 clears SA bit 10 to indicate that the format operation concluded. If the operation was not successful, the UD33 sets bit 15 in the SA register (base address plus 2). The low-byte of the register contains the error code:

Error Code		Description
Octal	Hex	
004	04	RAM error
005	05	Firmware checksum error
100	40	Drive not ready
101	41	NOVRAM checksum error
103	43	RCT Write error
105	45	Format error
106	46	Drive write protected
107	47	FCT Write error
111	49	Seek timeout
112	4A	NOVRAM communication error

## 6.8 Verify Drive Command

The verify option starts by reading the drive. The purpose of reading before writing is to locate bad blocks that already exist prior to writing. If this is not done, the system may not be able to regenerate the errors. A block that regenerates an error will be retried. If the error still exists, it will be classified as a bad block. When a bad block is encountered, the low byte of the SA register will be incremented, and the block will be replaced. To activate the Firmware Verify operation, use the following procedure:

1. If it has not already been done, write the NOVRAM with configuration data and format the drive. The drive must have spare cylinders with which to do the replacement.
2. Write anything into the IP register to clear the controller.

Register	Octal	Hexadecimal
IP: Write	000001	0001

3. Write 30003 (octal, for PDP systems) or 3003 (hexadecimal, for VAX systems) into the SA register:

Register	Octal	Hexadecimal
SA: Write	030003	3003

Wait for a 400 (octal) or 100 (hex) to appear in the SA register.

Register	Octal	Hexadecimal
SA: Read	000400	0100

4. Write 4220x (octal) or 448x (hex) into the SA register (x = MSCP unit number you want to verify):

Register	Octal	Hexadecimal
SA: Write	042200	4480

Wait for the SA register to post a 1000 (octal) or 200 (hex).

Register	Octal	Hexadecimal
SA: Read	001000	0200

5. Write the SA register with the number of verify passes to run in the low byte.
6. The LEDs will then sequentially go through the self-test for a few seconds and go to zero momentarily. During the write cycle, LED 1 will light and LED 3 will blink. LEDs will go out when the required number of passes has been completed, unless an error has occurred.
7. The SA register low byte will be incremented as bad blocks are replaced.
8. Wait for the SA high byte to go to 0 (meaning the operation is complete and successful) or for bit 15 to set, which indicates that an error has occurred. The low byte will contain the number of bad blocks replaced. If bit 15 is set, the low byte will contain the error code.

The disk will be verified with the following four octal patterns:

1. 21516, 21506, 21570
2. 125252
3. 052525
4. 177777

Block replaced during the write cycle:

After the replace, the drive will continue to write, starting at the block that reported the error, until the end of the disk.

Block replaced during the read cycle:

After the replace, the drive will continue to read, starting at the block that reported the error, until the end of the disk. The current pattern will be rewritten and read again. This operation will continue until the current pattern runs error-free or until there are no more spare cylinders. This method ensures that the replacement blocks or tracks will at least pass the current pattern. It is possible that the replacement blocks or tracks may be sensitive to one of the previous patterns. To minimize this possibility, it is recommended that at least two verify passes be executed.

After running all patterns, the number of passes will be decremented, and if the number is not zero, the entire verify process will be repeated.



The first part of the course will be devoted to a study of the history of the world.

The second part of the course will be devoted to a study of the history of the United States.

The third part of the course will be devoted to a study of the history of the world.

The fourth part of the course will be devoted to a study of the history of the United States.

This is a blank page.

UNIT THREE  
PAGE 10

**BLANK**

This is a blank page.

This is a blank page.

This is a blank page.

This is a blank page.

---

## **7.1 Overview**

---

This section contains a description of the UD33 Disk Controller's architecture.

---

## **7.2 UD33 Disk Controller Architecture**

---

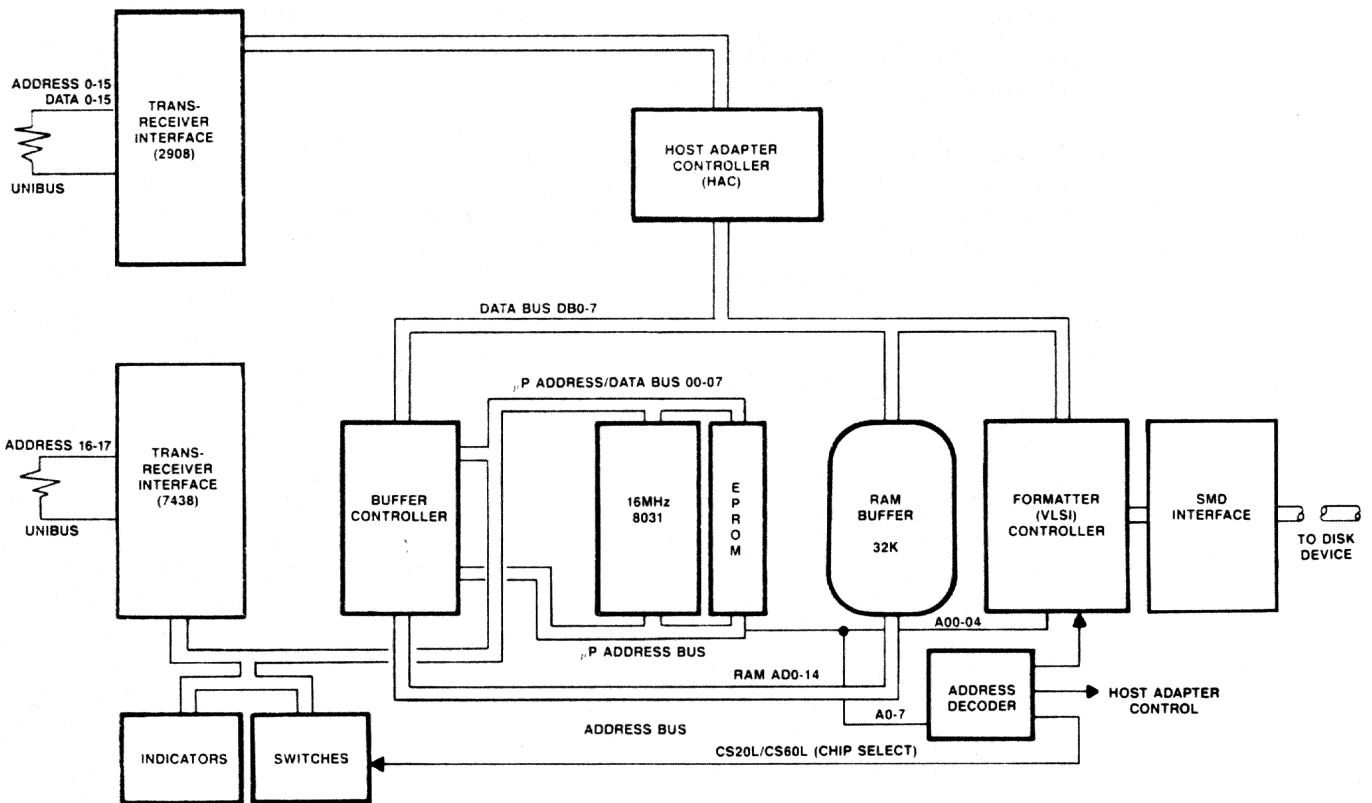
The UD33 is a microprocessor-based emulating disk controller that is contained on a single hex-wide PCBA. The UD33's major functional blocks are shown in Figure 7-1. The disk controller is organized around the eight-bit 16MHz 8031 microprocessor. The board has an eight-bit internal data bus with 16-bit addressing capability. The Host Adapter Controller, the Formatter Controller, and the Buffer Controller II are addressed as memory (memory-mapped I/O).

The 8031's primary task is to decode and implement commands from the host. At command completion, the microprocessor is also responsible for generating status and transmitting it to the host. A large part of the microprocessor's job while performing those duties involves setting up the Host Adapter Controller and the Buffer Controller II for the large data transfers that are their specialties.

The UD33 uses a 27128 erasable programmable read-only memory (EPROM), which contains the control program, and 32K bytes of random access memory (RAM), which is used for data buffering and working storage.

The UNIBUS interface consists of a 16-bit bidirectional set of data lines and an 18-bit set of address lines. The Host Adapter Controller is used for programmed I/O, CPU interrupts, and NPR data transfers. The microprocessor responds to all programmed I/O and carries out the I/O functions required for the addressed host adapter register. The Interface Controller has automatic UNIBUS address generation capability that, in conjunction with a byte counter, allows the Interface to conduct UNIBUS NPR transfers without direct microprocessor intervention. This auto NPR capability is used with the UD33 buffer controller to transfer large blocks of data from host memory directly in to the UD33's RAM.

The Buffer Controller II is implemented on a single chip. This multi-channel DMA controller is responsible for moving large blocks of data between the 32K RAM buffer and the SMD interface, and between the UNIBUS interface and the 32K RAM buffer. After being set up for an operation by the microprocessor, either interface requests DMA service from the Buffer Controller by driving an individual request signal active. The transfer then proceeds without direct intervention by the microprocessor. This allows high-speed data transfers to occur while the microprocessor is focused on other processes.



UD3301-1124

Figure 7-1. UD33 Block Diagram



---

## **8.1 Overview**

---

This section describes the interfaces that the UD33 Disk Controller incorporates. It includes information on the UD33 implementation of SMD interface electrical and mechanical requirements. Excluding this overview, the section is divided into the following subsections.

Subsection	Title
8.2	UD33 UNIBUS Interface
8.3	UD33 SMD Drive Interface

---

## **8.2 UNIBUS Interface**

---

The UNIBUS between the CPU and the UD33 Disk Controller contains 18 address lines and 16 bidirectional data lines, plus control signals for data and interrupt vector address transfer and for becoming bus master. UNIBUS interface pin assignments are listed and described in Table 8-1. These signal lines provide the means by which the CPU and the UD33 Disk Controller communicate with each other.

Table 8-1. UNIBUS Interface Pin Assignments

Connector C			Connector D		
Component Side	Pin	Solder Side	Component Side	Pin	Solder Side
NPGIN	A	+5V		A	+5V
NPGOUT	B			B	
PA	C	GND		C	GND
	D	D15		D	BR7
	E	D14		E	BR6
	F	D13		F	BR5
D11	H	D12		H	BR4
	J	D10		J	
	K	D09	INIT	K	BG7IN
	L	D08		L	BG7OUT
DCLO	M	D07		M	BG6IN
	N	D04		N	BG6OUT
	P	D05		P	BG5IN
	R	D01		R	BG5OUT
PB	S	D00		S	BG4IN
GND	T	D03	GND	T	BG4OUT
	U	D02		U	
ACLO	V	D06		V	
Connector E			Connector F		
Component Side	Pin	Solder Side	Component Side	Pin	Solder Side
	A	+5V		A	+5V
	B	-15V		B	-15V
A12	C	GND		C	GND
A17	D	A15	BBSY	D	
MSYN	E	A16		E	
A02	F	C1		F	
A01	H	A00		H	
SSYN	J	C0	NPR	J	
A14	K	A13		K	
A11	L			L	
	M		INTR	M	
A08	N			N	
A10	P	A07		P	
A09	R			R	
	S			S	
GND	T		GND	T	SACK
A06	U	A04		U	
A05	V	A03		V	

---

### 8.2.1 Interrupt Priority Level

---

The UD33 is hardwired to issue a BR5 interrupt request. The other three interrupt lines are jumpered through.

---

### 8.2.2 Register Address

---

The UD33 Disk Controller has two registers visible to the UNIBUS. Their addresses are determined by DIP switches SW2-3 through SW2-6. See Section 4 for detailed address and switch setting information.

---

### 8.2.3 NPR Operations

---

All NPR data transfer operations are performed under microprocessor control. When doing a Read or Write From Memory operation, a check is made for memory parity or non-existent memory (NXM) errors. If an error is detected, an MSCP status error is returned.

---

## 8.3 UD33 SMD-E Disk Drive Interface

---

The UD33 Controller interfaces with each SMD disk drive via a 60-pin control cable and one of four 26-pin data cables. A 60-pin male connector at reference designator J5 on the UD33 Controller connects directly into the SMD disk drive control cable. The UD33 Controller contains four 26-pin male connectors, one each at reference designators J1 through J4.

The UD33 Controller can control a maximum of four disk drives. A 26-pin connector (reference designator J1, J2, J3, or J4) can connect directly into the data cable for the first disk drive. If another disk drive is configured, an unused 26-pin connector is connected into the data cable for that disk drive.

The UD33 controller's disk interface conforms to the SMD-E Interface Specification for 15 MHz and 24 MHz Devices (CDC Document No. 64712402). The controller has been tested with most drives using the SMD-E interface and is compatible with the electrical and timing characteristics disk drives up to 24 MHz.

All communications between the UD33 Controller and its drives pass through the interface. This communication includes all commands, status, control signals, and read/write data transmitted and received by the controller.

The following subsection describes both the I/O cables and I/O signal processing.

---

### 8.3.1 I/O Cables

---

All the signal lines between the controller and drive are contained in two I/O cables. They are referred to as the A and B cables. Table 8-2 lists all lines (except those not used) in both cables.

---

#### 8.3.1.1 A Cable

---

The 60-conductor A Cable is daisy-chained to all disk drives and terminated at the last drive. The purpose of the signals in this cable, along with their function when the control tag (Tag 3) is asserted, are listed in Table 8-3.

The A Cable should be a 30-twisted pair flat cable with an impedance of 100 ohms and a cumulative length not greater than 35 feet.

---

#### 8.3.1.2 B Cable

---

The 26-conductor B Cable is radial to all drives and contains the data and clock signals. The function of the signals in this cable are listed in Table 8-4.

The B Cable should be a 26-conductor flat cable with ground plane and drain wire. The impedance should be 130 ohms and the length not greater than 25 feet.

Table 8-2. SMD-E Interface Connections

Pins Lo,Hi	Signal	(Tag 3 Function)	From/To
<b>A Cable:</b>			
22,52	Unit Select Tag		To
23,53	Unit Select bit 0	/Tag 5 <sup>1</sup>	To
24,54	Unit Select bit 1		To
26,56	Unit Select bit 2		To
27,57	Unit Select bit 3		To
1,31	Tag 1		To
2,32	Tag 2		To
3,33	Tag 3		To
4,34	Bit 0	(Write Gate)	To
5,35	Bit 1	(Read Gate)	To
6,36	Bit 2	(Servo Offset Plus)	To
7,37	Bit 3	(Servo Offset Minus)	To
8,38	Bit 4	(Fault Clear)	To
9,39	Bit 5	(AM Enable)	To
10,40	Bit 6	(Return to Zero)	To
11,41	Bit 7	(Data Strobe Early)	To
12,42	Bit 8	(Data Strobe Late)	To
13,43	Bit 9	(Release)	To
30,60	Bit 10		To
14,44	Open Cable Detect		To
15,45	Fault		From
16,46	Seek Error		From
17,47	On Cylinder		From
18,48	Index		From
19,49	Unit Ready		From
20,50	Address Mark Found		From
21,51	Busy (dual port)		From
25,55	Sector		From
28,58	Write Protected		From
29	Power Sequence Hold		To
30,60	Tag 4 <sup>1</sup>		To
59	Power Sequence Pick		To
<b>B Cable:</b>			
8,20	Write Data		To
6,19	Write Clock		To
2,14	Servo Clock		From
3,16	Read Data		From
5,17	Read Clock		From
10,23	Seek End		From
22,9	Unit Selected		From
12,24	Index		From
13,26	Sector		From

<sup>1</sup> Tag 4, Tag 5, and Tag 6 are part of the SMD-E extended functions. Tag 6 is the logical AND of Tag 4 and Tag 5. These lines are terminated but their functions are not used by the UD33.

### 8.3.2 I/O Signal Processing

I/O signals from the controller initiate and control all drive operations except power on. The I/O signals are sent to receivers in the drive and are routed from the receivers to the appropriate drive logic. The drive in turn sends information, concerning the operation back to the controller via the transmitters.

There are two basic types of I/O signals: (1) tag/bus and (2) discrete. The two types differ in that the tag and bus signals work in conjunction to perform a variety of functions while generally the discrete signals work independently each performing a specific function. Both types are described in the following subsections.

#### 8.3.2.1 Tag/Bus Signals

All commands (except unit select) are sent to the drive via the tag and bus signal lines. the tag lines define the basic operation to be performed and the bus lines supply the parameters for the operation.

Table 8-3 explains all the tag/bus commands recognized by the drive.

#### 8.3.2.2 Discrete Signals

In addition to the tag/bus signals, there are various discrete signal lines going between drive and controller. these lines carry clock, status, control and read/write data signals. The function of each of the discrete lines is also explained in Tables 8-3 and 8-4.

Table 8-3. A Cable Signal Line Functions

Signal	Function																								
Pick In	Used for power sequencing. When the controller is ON, this line is pulled low to power up the disk drive(s). The drive's LOCAL/REMOTE switch must be set to REMOTE and the START switch must be ON. This signal is daisy chained from drive to drive. It is not passed from one drive to the next until the first drive is up to speed. The ground is passed on to the next drive as Pick Out (Pick Out is terminated at last drive in daisy chain).																								
Hold	Used for power sequencing. This line is pulled low to power up the disk drive. The drive's LOCAL/ REMOTE switch must be set to REMOTE and the START switch must be ON. This signal is daisy chained from drive to drive. This line must be grounded at controller for drive to complete and hold remote power up sequence.																								
Open Cable	The controller holds this signal TRUE when it is powered on. When false, the drive cannot be selected. This prevents any unwanted command such as Write Gate when the A cable is disconnected or controller power is lost.																								
Unit Select Tag	Initiates unit select sequence, and in dual channel units it also reserves drive to that controller, provided unit selection is successful (refer to discussion on Unit Selection).																								
Unit Select lines 2 <sup>0</sup> thru 2 <sup>3</sup>	Used to select the drive. The binary code on these lines must match the code of the drive logical address for the drive to be selected. These lines are used in conjunction with the Unit Select Tag pin A cable I/O) (refer to discussion on Unit Selection).																								
Tag 1 (Cylinder Select)	<p>Initiates seek functions and used in conjunction with Bus Bit lines. This tag strobes the cylinder address, contained on Bus Bits lines, into drive logic. Drive must be on cylinder before this tag is sent. Bus Bits are interpreted as follows:</p> <table border="1"> <thead> <tr> <th><u>Bus Bit</u></th> <th><u>Function</u></th> <th><u>Bus Bit</u></th> <th><u>Function</u></th> </tr> </thead> <tbody> <tr> <td>0</td> <td>Cyl Adrs 2<sup>0</sup></td> <td>5</td> <td>Cyl Adrs 2<sup>5</sup></td> </tr> <tr> <td>1</td> <td>Cyl Adrs 2<sup>1</sup></td> <td>6</td> <td>Cyl Adrs 2<sup>6</sup></td> </tr> <tr> <td>2</td> <td>Cyl Adrs 2<sup>2</sup></td> <td>7</td> <td>Cyl Adrs 2<sup>7</sup></td> </tr> <tr> <td>3</td> <td>Cyl Adrs 2<sup>3</sup></td> <td>8</td> <td>Cyl Adrs 2<sup>8</sup></td> </tr> <tr> <td>4</td> <td>Cyl Adrs 2<sup>4</sup></td> <td>9</td> <td>Cyl Adrs 2<sup>9</sup></td> </tr> </tbody> </table>	<u>Bus Bit</u>	<u>Function</u>	<u>Bus Bit</u>	<u>Function</u>	0	Cyl Adrs 2 <sup>0</sup>	5	Cyl Adrs 2 <sup>5</sup>	1	Cyl Adrs 2 <sup>1</sup>	6	Cyl Adrs 2 <sup>6</sup>	2	Cyl Adrs 2 <sup>2</sup>	7	Cyl Adrs 2 <sup>7</sup>	3	Cyl Adrs 2 <sup>3</sup>	8	Cyl Adrs 2 <sup>8</sup>	4	Cyl Adrs 2 <sup>4</sup>	9	Cyl Adrs 2 <sup>9</sup>
<u>Bus Bit</u>	<u>Function</u>	<u>Bus Bit</u>	<u>Function</u>																						
0	Cyl Adrs 2 <sup>0</sup>	5	Cyl Adrs 2 <sup>5</sup>																						
1	Cyl Adrs 2 <sup>1</sup>	6	Cyl Adrs 2 <sup>6</sup>																						
2	Cyl Adrs 2 <sup>2</sup>	7	Cyl Adrs 2 <sup>7</sup>																						
3	Cyl Adrs 2 <sup>3</sup>	8	Cyl Adrs 2 <sup>8</sup>																						
4	Cyl Adrs 2 <sup>4</sup>	9	Cyl Adrs 2 <sup>9</sup>																						

(continued on next page)

Table 8-3. A Cable Signal Line Functions (continued)

Signal	Function																								
Tag 2 (Head Select)	<p>Initiates head select functions and used in conjunction with Bus Bit lines. This tag strobes the head address, contained on bus bit lines, into drive logic. Bus Bits are interpreted as follows:</p> <table border="1"> <thead> <tr> <th><u>Bus Bit</u></th> <th><u>Functions</u></th> <th><u>Bus Bit</u></th> <th><u>Functions</u></th> </tr> </thead> <tbody> <tr> <td>0</td> <td>Head Adrs 2<sup>0</sup></td> <td>5</td> <td>Not Used</td> </tr> <tr> <td>1</td> <td>Head Adrs 2<sup>1</sup></td> <td>6</td> <td>Not Used</td> </tr> <tr> <td>2</td> <td>Head Adrs 2<sup>2</sup></td> <td>7*</td> <td>Cyl Adrs 2<sup>10</sup></td> </tr> <tr> <td>3</td> <td>Head Adrs 2<sup>3</sup></td> <td>8*</td> <td>Cyl Adrs 2<sup>11</sup></td> </tr> <tr> <td>4</td> <td>Head Adrs 2<sup>4</sup></td> <td>9</td> <td>Not Used</td> </tr> </tbody> </table> <p>* The extended cylinder address bits are strobed with the head select bits for the SMD-E compatible drives.</p>	<u>Bus Bit</u>	<u>Functions</u>	<u>Bus Bit</u>	<u>Functions</u>	0	Head Adrs 2 <sup>0</sup>	5	Not Used	1	Head Adrs 2 <sup>1</sup>	6	Not Used	2	Head Adrs 2 <sup>2</sup>	7*	Cyl Adrs 2 <sup>10</sup>	3	Head Adrs 2 <sup>3</sup>	8*	Cyl Adrs 2 <sup>11</sup>	4	Head Adrs 2 <sup>4</sup>	9	Not Used
<u>Bus Bit</u>	<u>Functions</u>	<u>Bus Bit</u>	<u>Functions</u>																						
0	Head Adrs 2 <sup>0</sup>	5	Not Used																						
1	Head Adrs 2 <sup>1</sup>	6	Not Used																						
2	Head Adrs 2 <sup>2</sup>	7*	Cyl Adrs 2 <sup>10</sup>																						
3	Head Adrs 2 <sup>3</sup>	8*	Cyl Adrs 2 <sup>11</sup>																						
4	Head Adrs 2 <sup>4</sup>	9	Not Used																						
Tag 3 (Control Select)	<p>Initiates various operations to be performed by the drive. Used in conjunction with Bus Bit lines and specific operation initiated depends on content of these lines which is defined as follows:</p> <table border="1"> <thead> <tr> <th><u>Bus Bit</u></th> <th><u>Function</u></th> </tr> </thead> <tbody> <tr> <td>0</td> <td>Write Gate - Enable write drivers.</td> </tr> <tr> <td>1</td> <td>Read Gate - Enables the digital read data lines. With PLO option, leading edge triggers read chain to sync on all-zeros pattern.</td> </tr> <tr> <td>2</td> <td>Servo Offset Plus - Offsets the actuator from the nominal on cylinder position toward the spindle.</td> </tr> </tbody> </table>	<u>Bus Bit</u>	<u>Function</u>	0	Write Gate - Enable write drivers.	1	Read Gate - Enables the digital read data lines. With PLO option, leading edge triggers read chain to sync on all-zeros pattern.	2	Servo Offset Plus - Offsets the actuator from the nominal on cylinder position toward the spindle.																
<u>Bus Bit</u>	<u>Function</u>																								
0	Write Gate - Enable write drivers.																								
1	Read Gate - Enables the digital read data lines. With PLO option, leading edge triggers read chain to sync on all-zeros pattern.																								
2	Servo Offset Plus - Offsets the actuator from the nominal on cylinder position toward the spindle.																								

(continued on next page)



Table 8-3. A Cable Signal Line Functions (continued)

Signal	Function	
Tag 3 (continued)	<u>Bus Bit</u>	<u>Function</u>
	3	Servo Offset Minus - Offsets the actuator from the nominal on cylinder position away from the spindle.
	4	Fault Clear - Pulse sent to drive to clear the fault summary flip-flop.
	5	Address Mark Enable - Not used.
	6	RTZ - Pulse sent to drive to cause actuator to seek to track zero.
	7	Data Strobe Early - Enables the PLO data separator (optional) to strobe the data at a time earlier than optimum
	8	Data Strobe Late - Enables the PLO data separator to strobe the data at a time later than optimum.
	9	Release - Releases dual channel drives from reserved and/or priority selected condition (refer to discussion on Unit Selection). Not used for single channel drives.
Tag 4 (Current Sector)	Line is terminated but function not used by UD33.	
Tag 5 (Extended Status)	Line is terminated but function not used by UD33.	

(continued on next page)

Table 8-3. A Cable Signal Line Functions (continued)

Signal	Function
Bus Bits (0 - 9)	Used in conjunction with Tags 1, 2, and 3 (also used with Unit Select Tag on units with 50 pin A Cable I/O).
Unit Ready	Indicates that drive is selected, up to speed, heads are loaded and no fault exists.
Busy (applicable only to dual channel units).	TRUE when a drive selection is attempted but the drive is already reserved by the other controller. This signal is returned to the controller attempting selection along with the unit selected signal (refer to discussion on Unit Selection).
On Cylinder	Indicates drive has positioned the heads over a track.
Seek Error	Indicates that the unit was unable to complete a move within 500 msec, or that carriage has moved to a position outside recording field.
Address Mark Found	Not used.
Write Protect	Indicates that drive's write circuits are disabled.
Fault	Indicates that one or more of these faults exists: DC power fault, head select fault, write fault, write or read while off cylinder, and Write Gate during a Read operation.
Unit Selected	Indicates that the drive is selected. This line must be active before drive will respond to any commands from controller. However, on dual channel units, if Busy is returned in conjunction with Unit Selected, it indicates the drive is reserved to the other controller and selection was unsuccessful (refer to discussion on Unit Selection).

Table 8-4. B Cable Signal Line Functions

Signal	Function
Write Data	Carries NRZ data to be recorded on disk pack.
Write Clock	Synchronized to NRZ Write Data, it is a return of the Servo Clock. The drive transmits this signal continuously.
Index	Occurs once per revolution of disk pack and its leading edge is considered leading edge of sector zero.
Sector	Derived from servo surface of disk pack, this signal can occur any number of times per revolution of disk pack. Number of sector pulses occurring depends the configuration of the disk drive.
Servo Clock	Clock signals derived from the drive's servo track.
Read Data	Carries NRZ data recovered from disk pack.
Read Clock	Clock signals derived from NRZ Read Data.
Seek End	Seek End is a combination of ON CYL or SEEK ERROR indicating that a seek operation has terminated.

**BLANK**

---

## **A.1 Overview**

---

The following discussion presents the algorithm for assignment of floating addresses and vectors for all DEC operating systems. Bus addresses are discussed in subsection 3.3.2.

---

## **A.2 Determining the CSR Address for use with Autoconfigure**

---

The term Autoconfigure refers to a software utility that is run when the computer is bootstrapped. This utility finds and identifies I/O devices in the I/O page of system memory.

Some devices (like the DM11) have fixed addresses reserved for them. Autoconfigure detects their presence by simply testing their standard address for a response. Specifically, the control/status register (CSR) address, which is usually the first register of the block, is tested.

Addresses for those devices not assigned fixed numbers are selected from the floating CSR address space (760010 - 763776) of the Unibus input/output (I/O) page. This means that the presence or absence of floating devices will affect the assignment of addresses to other floating-address devices. Similarly, many devices have floating interrupt vector addresses. According to the DEC standard, vectors must be assigned in a specific sequence and the presence of one type of device will affect the correct assignment of vectors for other devices.

The CSR address for a floating-address device is selected according to the algorithm used during autoconfigure. The algorithm is used in conjunction with a Device Table, Table A-1.

Essentially, Autoconfigure checks each valid CSR address in the floating CSR address space for the presence of a device. Autoconfigure expects any devices installed in that space to be in the order specified by the Device Table. Also, the utility expects an eight-byte block to be reserved for each device that is not installed in the system. Each empty block tells Autoconfigure to look at the next valid address for the next device on the list.

When a device is detected, a block of addresses is reserved for the device according to the number of registers it employs. The utility then looks at the next CSR for that device type. If there is a device there, it is assumed to be of the same type as the one before it and a block is reserved for that device. If there is no response at the next address, that space is reserved to indicate that there are no more devices of that type. Then the utility checks the CSR address (at the appropriate boundary) for the next device in the table.

Table A-1. SYSGEN Device Table

Rank	Device	Number of Registers	Octal Modulus	Rank	Device	Number of Registers	Octal Modulus
1	DJ11	4	10	17	Reserved	4	10
2	DH11	8	20	18	RX11 <sup>2</sup>	4	10
3	DQ11	4	10	18	RX211 <sup>2</sup>	4	10
4	DU11, DUV11	4	10	18	RXV11 <sup>2</sup>	4	10
5	DUP11	4	10	18	RXV21 <sup>2</sup>	4	10
6	LK11A	4	10	19	DR11-W	4	10
7	DMC11	4	10	20	DR11-B <sup>3</sup>	4	10
7	DMR11	4	10	21	DMP11	4	10
8	DZ11 <sup>1</sup>	4	10	22	DPV11	4	10
8	DZV11	4	10	23	ISB11	4	10
8	DZS11	4	10	24	DMV11	8	20
8	DZ32	4	10	25	DEUNA <sup>2</sup>	4	10
9	KMC11	4	10	26	UDA50 <sup>2</sup>	2	4
10	LPP11	4	10	27	DMF32	16	40
11	VMV21	4	10	28	KMS11	6	20
12	VMV31	8	20	29	VS100	8	20
13	DWR70	4	10	30	TU81	2	4
14	RL11 <sup>2</sup>	4	10	31	KMV11	8	20
14	RLV11 <sup>2</sup>	4	10	32	DHV11	8	20
15	LPA11-K <sup>2</sup>	8	20	33	DMZ32	16	40
16	KW11-C	4	10	34	CP132	16	40

<sup>1</sup>DZ11-E and DZ11-F are treated as two DZ11s.

<sup>2</sup>The first device of this type has a fixed address. Any extra devices have a floating address.

<sup>3</sup>The first two devices of this type have a fixed address. Any extra devices have a floating address.

In summary, there are four rules that pertain to the assignment of device addresses in floating address space:

1. Devices with floating addresses must be attached in the order in which they are listed in the Device Table, Table A-1.
2. The CSR address for a given device type is assigned on word boundaries according to the number of UNIBUS-accessible registers that the device has. The following table relates the number of device registers to possible word boundaries.

Device Registers	Possible Boundaries
1	Any Word
2	XXXXX0, XXXXX4
3,4	XXXXX0
5,6,7,8	XXXX00, XXXX20, XXXX40, XXXX60
9 thru 16	XXXX00, XXXX40

The Autoconfigure utility inspects for a given device type only at one of the possible boundaries for that device. That is, the utility does not look for a DMF32 (16 registers) at an address that ends in 20.

3. An 8-byte gap must follow the register block of any installed device to indicate that there are no more of that type of device. This gap must start on the proper CSR address boundary for that type of device.
4. An 8-byte gap must be reserved in floating address space for each device type that is not installed in the current system. The gap must start on the proper word boundary for the type of device the gap represents. That is, a single DJ11 installed at 760010 would be followed by a gap starting at 760020 to show a change of device types. A gap to show that there are none of the next device on the list, a DH11, would begin at 760040, the next legal boundary for a DH11-type device.

---

### **A.3 Determining the Vector Address for use with Autoconfigure**

---

There is a floating vector address convention that is used for communications and other devices which interface with the Unibus. These vector addresses are assigned in order starting at 300 and proceeding upwards to 777. Table A-2 shows the assignment sequence. For a given system configuration, the device with the highest floating vector rank would be assigned to vector address 300. Additional devices of the same type would be assigned subsequent vector addresses according to the number of vectors required per device, and according to the starting boundary assigned to that device type.

Table A-2. Priority Ranking for Floating Vector Addresses (starting at 300 and proceeding upwards)

Rank	Device	Number of Vectors	Octal Modulus
1	DC11	2	10
1	TU58	2	10
2	KL11 <sup>1</sup>	2	10
2	DL11-A <sup>1</sup>	2	10
2	DL11-B <sup>1</sup>	2	10
2	DLV11-J <sup>1</sup>	8	40
2	DLV11, DLV11-F <sup>1</sup>	2	10
3	DP11	2	10
4	DM11-A	2	10
5	DN11	1	4
6	DM11-BB/BA	1	4
7	DH11 modem control	1	4
8	DR11-A, DRV11-B	2	10
9	DR11-C, DRV11	2	10
10	PA611 (reader + punch)	4	20
11	LPD11	2	10
12	DT07	2	10
13	DX11	2	10
14	DL11-C to DLV11-F	2	10
15	DJ11	2	10
16	DH11	2	10
17	VT40	4	20
17	VSV11	4	10
18	LPS11	6	40
19	DQ11	2	10
20	KW11-W, KWV11	2	10
21	DU11, DUV11	2	10
22	DUP11	2	10
23	DV11 + modem control	3	20
24	LK11-A	2	10
25	DWUN	2	10
26	DMC11	2	10
26	DMR11	2	10
27	DZ11/DZS11/DZV11	2	10
27	DZ32	2	10
28	KMC11	2	10
29	LPP11	2	10

(continued on next page)



Table A-2. Priority Ranking for Floating Vectors Addresses  
(starting at 300<sub>8</sub> and proceeding upwards)  
(continued)

Rank	Device	Number of Vectors	Octal Modulus
30	VMV21	2	10
31	VMV31	2	10
32	VTV01	2	10
33	DWR70	2	10
34	RL11/RLV11 <sup>2</sup>	1	4
35	TS11 <sup>2</sup> , TU80 <sup>2</sup>	1	4
36	LPA11-K	2	10
37	IP11/IP300 <sup>2</sup>	1	4
38	KW11-C	2	10
39	RX11 <sup>2</sup>	1	4
39	RX211 <sup>2</sup>	1	4
39	RXV11 <sup>2</sup>	1	4
39	RXV21 <sup>2</sup>	1	4
40	DR11-W	1	4
41	DR11-B <sup>2</sup>	1	4
42	DMP11	2	10
43	DPV11	2	10
44	ML11 <sup>3</sup>	1	4
45	ISB11	2	10
46	DMV11	2	10
47	DEUNA <sup>2</sup>	1	4
48	UDA50 <sup>2</sup>	1	4
49	DMF32	8	40
50	KMS11	3	20
51	PCL11-B	2	10
52	VS100	1	4
53	Reserved	1	4
54	KMV11	2	10
55	Reserved	2	10
56	IEX	2	10
57	DHV11	2	10
58	DMZ32	6	20
59	CP132	6	20

<sup>1</sup> A KL11 or DL11 used as a console, has a fixed vector.

<sup>2</sup> The first device of this type has a fixed vector. Any extra devices have a floating vector.

<sup>3</sup> ML11 is a Massbus device which can connect to a UNIBUS via a bus adapter.

Vector addresses are assigned on the boundaries indicated in the modulus column of Table A-2. That is, if the modulus is 10, then the first vector address for that device must end with zero (XX0). If the modulus is 4, then the first vector address can end with zero or 4 (XX0, XX4).

Vector addresses always fall on modulo 4 boundaries (XX0, XX4). That is, a vector address never ends in any number but four or zero. Consequently, if a device has two vectors and the first must start on a modulo 10 boundary, then, using 350 as a starting point, the vectors will be 350 and 354.

---

## **A.4 A System Configuration Example**

---

Table A-3 contains an example of a system configuration that includes devices with fixed addresses and vectors, and floating addresses and/or vectors.

Table A-4 shows how the device addresses for the floating address devices in Table A-3 were computed, including gaps.

Table A-3. CSR and Vector Address Example

Controller	Vector	CSR
1 UDA50	154	772150
1 DZ11	300	760100
1 UDA50	310	760354
2 DHV11	320	760500
	330	760520

Table A-4. Floating CSR Address Assignment Example

Installed	Device		Octal Address
	DJ11	Gap	760010
	DH11	Gap	760020
	DQ11	Gap	760030
	DU11	Gap	760040
	DUP11	Gap	760050
	LK11A	Gap	760060
	DMC11	Gap	760070
---->	DZ11		760100
		Gap	760110
	KMC11	Gap	760120
	LPP11	Gap	760130
	VMV21	Gap	760140
	VMV31	Gap	760150
	DWR70	Gap	760170
	RL11	Gap	760200
	LPA11-K	Gap	760220
	KW11-C	Gap	760230
	Reserved	Gap	760240
	RX11	Gap	760250
	DR11-W	Gap	760260
	DR11-B	Gap	760270
	DMP11	Gap	760300
	DPV11	Gap	760310
	ISB11	Gap	760320
	DMV11	Gap	760340
	DEUNA	Gap	760350
---->	<b>UDA50 (UD33)</b>		<b>772150<sup>1</sup></b>
---->	<b>UDA50 (UD33)</b>		<b>760354</b>
		Gap	760360
	DMF32	Gap	760400
	KMS11	Gap	760420
	VS100	Gap	761440
	TU81	Gap	761450
	KMV11	Gap	761460
---->	DHV11		761500
---->	DHV11		761520
		Gap	761530
	DMZ32	Gap	761540
	CP132	Gap	761600

<sup>1</sup>Fixed address

**BLANK**

**APPENDIX B  
PROM REMOVAL AND REPLACEMENT**

**B.1 Overview**

This appendix provides instructions for replacing the UD33's firmware PROM.

**B.2 Exchanging PROMs**

The UD33 firmware PROM is located in the socket at U59. Remove the existing PROM from its socket using an IC puller or an equivalent tool.

The UD33 PROM is identified by the part numbers on top of the PROMs. Place the UD33 PROM in U59. Make certain that the PROM is firmly seated and that no pins are bent or misaligned. (If the two rows of PROM pins are too far apart to fit in the socket, grasp the PROM at its ends using your thumb and forefinger and bend one of the pin rows inward by pressing it against a table top or other flat surface.)

PROM Number	PCBA Location
E93	U59

**BLANK**

## APPENDIX C UTILITIES AND DIAGNOSTICS

### C.1 Overview

This appendix contains a list of the diagnostics and utilities software that are available for use with the UD33. The list includes a description of the function of the software and a description of the media on which the software is distributed. The media and supporting documentation are supplied in diagnostic distribution kits as described in Table C-1.

All of the diagnostic and utility media listed contain all of the software provided for the UD33 by Emulex.

Table C-1. Utility and Diagnostic Software

Part Number	Media Type	Boot Type	Description
PX9951801-01	0.5-inch tape, 800 bpi	MT	All tape, disk, communications, and subsystem software
PX9951801-02	0.5-inch tape, 1600 bpi	MT	All tape, disk, communications, and subsystem software
PX9951801-03	0.5-inch tape, 1600 bpi	MS	All tape, disk, communications, and subsystem software
PX9951801-04	0.25-inch tape, TC05/15	MS	All tape, disk, communications, and subsystem software
PX9951801-05	RX02 Floppy	DY	All tape, disk, communications, and subsystem software
PX9951801-06	0.25-inch tape, QT12	MS	All tape, disk, communications, and subsystem software

(continued on next page)

**Table C-1. Utility and Diagnostic Software (continued)**

Part Number	Media Type	Boot Type	Description
PX9951802-01	IOMEGA disk cartridge	DL	Emulex Subsystem software (subset of above)
PX9951802-02	0.25-inch tape, TC05/15	MS	Emulex Subsystem software (subset of above)
PX9951802-03	IOMEGA Disk Cartridge	DU	Emulex Subsystem software (subset of above)
PX9951802-04	0.25-inch tape, QT12	MS	Emulex Subsystem software (subset of above)
VX9951804-01	RX50 Floppy	DU	MicroVAX Diagnostics
VX9951804-02	TK50 Tape Cartridge	MU	MicroVAX Diagnostics



## APPENDIX D

### DISK DRIVE CONFIGURATION PARAMETERS

#### D.1 Overview

This appendix contains the configuration parameters and sector settings for the following drives which have been certified by Emulex for UD33 support:

Disk Drive	Tables
CDC RSD 9710	D-1, D-2, (D-4)
CDC 9715-340	D-3, D-4, (D-2)
CDC 9715-515	D-5, D-6
CDC 9771 XMD	D-7, D-8, D-9
CDC 9772 XMD	D-10, D-11, (D-8)
CDC 9772-13 XMD	D-12, D-13, (D-8)
Fujitsu M2351A	D-14, D-15
Fujitsu M2361A	D-16, D-17, D-18
Fujitsu M2333	D-19, D-20
CDC 9720	D-21, D-22, D-23
NEC 2362	D-24, D-25, D-26

The drive configuration parameters listed in this appendix relate to the physical geometry of the disk drives; options such as logical splits are left to the user (see subsection 6.3.1.1). The NOVRAM checksums, which indicate a correctly defined configuration, are listed in octal for PDP/LSI systems and hexadecimal for VAX systems.

The correct sector count setting for each drive is specified after the configuration parameter table. If you require further instructions, consult the appropriate manufacturer's drive manual.

The user capacity for each drive is stated in logical blocks before each parameter table. Large capacity drives, such as the CDC 9771 XMD and Fujitsu 2361A, may require special considerations. Refer to subsection D.3 before entering drive parameters.

## D.2 Configuration Tables

The drive configuration parameters listed in this appendix are based on one spare sector per track. The drive configuration tables list the parameters to be entered under a console emulator in octal for PDP/LSI systems and hexadecimal for VAX systems.

If you are entering the parameters under a console emulator, the memory location following the last parameter block must be 0 to indicate no more configurations.

### D.2.1 CDC RSD 9710 Disk Drive

If you are using a CDC RSD 9710 disk drive, Emulex recommends using the drive configuration parameters given in Table D-1. Tables D-2 and D-4 list the drive switch settings that produce appropriate sector sizes.

**These tables contain ODT values only. Do not use these values with formatter software. Refer to formatter manuals for those values.**

Table D-1. CDC RSD 9710 NOVRAAM Parameters

Word	Oct	Hex	Description
1	1	1	Number of Drives
2	1	1	Type Code
3	0	0	Head Offset
4	37	1F	Sectors per Track $31_{10}$
5	5	5	Heads $5_{10}$
6	1465	335	Cylinders $821_{10}$
7	1	1	Spare Sectors per Track
8	2	2	Spare Cylinders
9	40407/7*	4107/7*	Configuration Bits
10	0	0	Split Code
11	1	1	Removable Media Flag
12	6010	C08	Gap 0 Parameter $3080_{10}$
13	13026	1616	Gap 1 Parameter $5654_{10}$
14	424	114	Gap 2 Parameter $276_{10}$
15	0	0	Cylinder Offset
16	2	2	Spiral Offset

\* Value after slash is with RPS disabled. See subsection 6.5.1.

Table D-2. CDC RSD 9710 and 9715-340 Sector Setting  
Set for 32 630-byte sectors

Switch	Position	Setting
2 <sup>0</sup>	0	ON (1)
	1	ON (1)
	2	OFF (0)
	3	OFF (0)
	4	OFF (0)
	5	ON (1)
2 <sup>11</sup>	6	OFF (0)
	7	ON (1)
	8	ON (1)
	9	OFF (0)
	10	OFF (0)
	11	OFF (0)

D.2.2 CDC 9715-340 Disk Drive

If you are using a CDC 9715-340 disk drive, Emulex recommends using the drive configuration parameters given in Table D-3. Tables D-4 and D-2 list the drive switch settings that produce appropriate sector sizes.

**These tables contain ODT values only. Do not use these values with formatter software. Refer to formatter manuals for those values.**

Table D-3. CDC 9715-340 NOVRAM Parameters

Word	Oct	Hex	Description
1	1	1	Number of Drives
2	1	1	Type Code
3	0	0	Head Offset
4	40	20	Sectors per Track
5	30	18	Heads
6	1307	2C7	Cylinders
7	1	1	Spare Sectors per Track
8	2	2	Spare Cylinders
9	71406/6*	7306/6*	Configuration Bits
10	0	0	Split Code
11	0	0	Removable Media Flag
12	403	103	Gap 0 Parameter
13	5413	B0B	Gap 1 Parameter
14	411	109	Gap 2 Parameter
15	0	0	Cylinder Offset
16	0	0	Spiral Offset

\* Value after slash is with RPS disabled. See subsection 6.5.1.

Table D-4. CDC 9715-340 and 9710 Sector Setting  
Set for 33 600-byte sectors

Switch	Position	Setting
2 <sup>0</sup>	0	ON (1)
	1	ON (1)
	2	ON (1)
	3	ON (1)
	4	OFF (0)
2 <sup>11</sup>	5	OFF (0)
	6	OFF (0)
	7	ON (1)
	8	ON (1)
	9	OFF (0)
	10	OFF (0)
	11	OFF (0)

### D.2.3 CDC 9715-515 Disk Drive

If you are using a CDC 9715-515 disk drive, Emulex recommends using the drive configuration parameters given in Table D-5. Table D-6 lists the drive switch settings that produce an appropriate sector size.

**These tables contain ODT values only. Do not use these values with formatter software. Refer to formatter manuals for those values.**

Table D-5. CDC 9715-515 NOVRAM Parameters

Word	Oct	Hex	Description
1	1	1	Number of Drives
2	1	1	Type Code
3	0	0	Head Offset
4	63	33	Sectors per Track
5	30	18	Heads
6	1305	2C5	Cylinders
7	1	1	Spare Sectors per Track
8	2	2	Spare Cylinders
9	71406/6*	7306/6*	Configuration Bits
10	0	0	Split Code
11	0	0	Removable Media Flag
12	403	103	Gap 0 Parameter
13	5413	B0B	Gap 1 Parameter
14	411	109	Gap 2 Parameter
15	0	0	Cylinder Offset
16	0	0	Spiral Offset

\* Value after slash is with RPS disabled. See subsection 6.5.1.

Table D-6. CDC 9715-515 Sector Setting  
Set to 576-byte sectors

Switch	Position	Setting
2 <sup>0</sup>	0	ON (1)
	1	ON (1)
	2	ON (1)
	3	ON (1)
	4	ON (1)
2 <sup>11</sup>	5	ON (1)
	6	ON (1)
	7	ON (1)
	8	OFF (0)
	9	OFF (0)
	10	OFF (0)
	11	OFF (0)

**D.2.4 CDC 9771 XMD Disk Drive**

If you are using a CDC 9771 XMD disk drive, Emulex recommends using the drive configuration parameters given in Table D-7. Table D-8 lists the drive switch settings that produce an appropriate sector size.

**These tables contain ODT values only. Do not use these values with formatter software. Refer to formatter manuals for those values.**

Table D-7. CDC 9771 XMD NOVDRAM Parameters for a Single Logical Unit

Word	Oct	Hex	Description
1	1	1	Number of Drives
2	1	1	Type Code
3	0	0	Head Offset
4	124	54	Sectors per Track
5	20	10	Heads
6	2046	426	Cylinders
7	1	1	Spare Sectors per Track
8	2	2	Spare Cylinders
9	71406/6*	7306/6*	Configuration Bits
10	0	0	Split Code
11	0	0	Removable Media Flag
12	403	103	Gap 0 Parameter
13	5413	B0B	Gap 1 Parameter
14	411	109	Gap 2 Parameter
15	0	0	Cylinder Offset
16	0	0	Spiral Offset

\* Value after slash is with RPS disabled. See subsection 6.5.1.

Table D-8. CDC 977x XMD Sector Setting Set for 587-byte sectors

Location	Switch	Position	Setting
556	2 <sup>0</sup>	0	OFF (0)
		1	OFF (0)
		2	ON (1)
		3	OFF (0)
		4	OFF (0)
		5	OFF (0)
563	2 <sup>11</sup>	6	OFF (0)
		7	OFF (0)
		8	ON (1)
		9	OFF (0)
		10	OFF (0)
		11	OFF (0)

Some operating systems can not handle drives of the 9771's size. Consequently, the drive must be split into two smaller logical units by the controller. To do this, Emulex recommends using the drive configuration parameters given in Table D-9. Table D-8 lists the drive switch settings that produce an appropriate sector size.

**These tables contain ODT values only. Do not use these values with formatter software. Refer to formatter manuals for those values.**

Table D-9. CDC 9771 XMD NOVRAM Parameters for Split Logical Units

Word	Oct	Hex	Description
1	1	1	Number of Drives
2	1	1	Type Code
3	10	8	Head Offset
4	124	54	Sectors per Track
5	20	10	Heads
6	2046	426	Cylinders
7	1	1	Spare Sectors per Track
8	2	2	Spare Cylinders
9	71406/6*	7306/6*	Configuration Bits
10	2	2	Split Code
11	0	0	Removable Media Flag
12	403	103	Gap 0 Parameter
13	5413	B0B	Gap 1 Parameter
14	411	109	Gap 2 Parameter
15	0	0	Cylinder Offset
16	0	0	Spiral Offset

\* Value after slash is with RPS disabled. See subsection 6.5.1.

**D.2.5 CDC 9772 Disk Drive**

If you are using a CDC 9772 disk drive, Emulex recommends using the drive configuration parameters given in Table D-10. Table D-8 lists the drive switch settings that produce an appropriate sector size.

**These tables contain ODT values only. Do not use these values with formatter software. Refer to formatter manuals for those values.**

Table D-10. CDC 9772 XMD NOVRAM Parameters for a Single Logical Unit

Word	Oct	Hex	Description
1	1	1	Number of Drives
2	1	1	Type Code
3	0	0	Head Offset
4	124	54	Sectors per Track
5	20	10	Heads
6	2046	426	Cylinders
7	1	1	Spare Sectors per Track
8	2	2	Spare Cylinders
9	122006/6*	A406/6*	Configuration Bits
10	0	0	Split Code
11	0	0	Removable Media Flag
12	403	103	Gap 0 Parameter
13	5413	B0B	Gap 1 Parameter
14	411	109	Gap 2 Parameter
15	0	0	Cylinder Offset
16	0	0	Spiral Offset

\* Value after slash is with RPS disabled. See subsection 6.5.1.



Some operating systems can not handle drives of the 9772's size. Consequently, the drive must be split into two smaller logical units by the controller. To do this, Emulex recommends using the drive configuration parameters given in Table D-11. Table D-8 lists the drive switch settings that produce an appropriate sector size.

**These tables contain ODT values only. Do not use these values with formatter software. Refer to formatter manuals for those values.**

Table D-11. CDC 9772 XMD NOVRAM Parameters for Split Logical Units

Word	Oct	Hex	Description
1	1	1	Number of Drives
2	1	1	Type Code
3	10	8	Head Offset
4	124	54	Sectors per Track
5	20	10	Heads
6	2046	426	Cylinders
7	1	1	Spare Sectors per Track
8	2	2	Spare Cylinders
9	122006/6*	A406/6*	Configuration Bits
10	2	2	Split Code
11	0	0	Removable Media Flag
12	403	103	Gap 0 Parameter
13	5413	B0B	Gap 1 Parameter
14	411	109	Gap 2 Parameter
15	0	0	Cylinder Offset
16	0	0	Spiral Offset

\* Value after slash is with RPS disabled. See subsection 6.5.1.

**D.2.6 CDC 9772-13 XMD Disk Drive**

If you are using a CDC 9772-13 XMD disk drive, Emulex recommends using the drive configuration parameters given in Table D-12. Table D-8 lists the drive switch settings that produce an appropriate sector size.

**These tables contain ODT values only. Do not use these values with formatter software. Refer to formatter manuals for those values.**

Table D-12. CDC 9772-13 XMD NOVRAM Parameters for a Single Logical Unit

Word	Oct	Hex	Description
1	1	1	Number of Drives
2	1	1	Type Code
3	0	0	Head Offset
4	124	54	Sectors per Track
5	23	13	Heads
6	2612	58A	Cylinders
7	1	1	Spare Sectors per Track
8	2	2	Spare Cylinders
9	122006/6*	A406/6*	Configuration Bits
10	0	0	Split Code
11	0	0	Removable Media Flag
12	403	103	Gap 0 Parameter
13	5413	B0B	Gap 1 Parameter
14	411	109	Gap 2 Parameter
15	0	0	Cylinder Offset
16	0	0	Spiral Offset

\* Value after slash is with RPS disabled. See subsection 6.5.1.

Some operating systems can not handle drives of the 9772-13's size. Consequently, the drive must be split into two smaller logical units by the controller. To do this, Emulex recommends using the drive configuration parameters given in Table D-13. Table D-8 lists the drive switch settings that produce an appropriate sector size.

**These tables contain ODT values only. Do not use these values with formatter software. Refer to formatter manuals for those values.**

Table D-13. CDC 9772-13 XMD NOVRAM Parameters for Split Logical Units

Word	Oct	Hex	Description
1	1	1	Number of Drives
2	1	1	Type Code
3	11	9	Head Offset
4	124	54	Sectors per Track
5	23	13	Heads
6	2336	4DE	Cylinders
7	1	1	Spare Sectors per Track
8	2	2	Spare Cylinders
9	122006/6*	A406/6*	Configuration Bits
10	2	2	Split Code
11	0	0	Removable Media Flag
12	403	103	Gap 0 Parameter
13	5413	B0B	Gap 1 Parameter
14	411	109	Gap 2 Parameter
15	0	0	Cylinder Offset
16	0	0	Spiral Offset

\* Value after slash is with RPS disabled. See subsection 6.5.1.

**NOTE**

The number of cylinders has been reduced to 1248 so that neither logical drive will exceed 1,044,480 blocks.

**D.2.7 Fujitsu M2351A Disk Drive**

If you are using a Fujitsu M2351A disk drive, Emulex recommends using the drive configuration parameters given in Table D-14. Table D-15 lists the drive switch settings that produce an appropriate sector size.

If configured as shown in Table D-14, the Fujitsu M2351A has a user capacity of 787,156 logical blocks.

**These tables contain ODT values only. Do not use these values with formatter software. Refer to formatter manuals for those values.**

Table D-14. Fujitsu M2351A NOVRAM Parameters

Word	Oct	Hex	Description
1	1	1	Number of Drives
2	1	1	Type Code
3	0	0	Head Offset
4	57	2F	Sectors per Track
5	24	14	Heads
6	1510	348	Cylinders
7	1	1	Spare Sectors per Track
8	2	2	Spare Cylinders
9	71406/6*	7306/6*	Configuration Bits
10	0	0	Split Code
11	0	0	Removable Media Flag
12	403	103	Gap 0 Parameter
13	10020	1010	Gap 1 Parameter
14	414	10C	Gap 2 Parameter
15	0	0	Cylinder Offset
16	0	0	Spiral Offset

\* Value after slash is with RPS disabled. See subsection 6.5.1.

Table D-15. Fujitsu M2351A Sector Setting  
Set for 587-byte sectors

Location	Jumpers
BC7	3-4, 5-6, 10-11, 12-13 ✓
BD7	3-4, 6-7, 9-10, 13-14 ✓
BE7	3-4, 5-6, 10-11, 13-14 ✓
BF7	3-4, 6-7, 10-11, 13-14 ✓
AE7*	3-4, 6-7, 9-10* ✓

\* This location selects the SMD-0 interface.

**D.2.8 Fujitsu M2361A Disk Drive**

If you are using a Fujitsu M2361A disk drive, Emulex recommends using the drive configuration parameters given in Table D-16. Table D-17 lists the drive switch settings that produce an appropriate sector size.

The Fujitsu M2361A has a user capacity of 1,139,136 logical blocks. Table D-16 lists drive parameters for operating systems that can support a single, logical unit of this capacity. For more information, refer to subsection D.3.

**These tables contain ODT values only. Do not use these values with formatter software. Refer to formatter manuals for those values.**

Table D-16. Fujitsu M2361A NOVRAM Parameters for a Single Logical Unit

Word	Oct	Hex	Description
1	1	1	Number of Drives
2	1	1	Type Code
3	0	0	Head Offset
4	103	43	Sectors per Track
5	24	14	Heads
6	1510	348	Cylinders
7	1	1	Spare Sectors per Track
8	2	2	Spare Cylinders
9	101406/6*	8306/6*	Configuration Bits
10	0	0	Split Code
11	0	0	Removable Media Flag
12	403	103	Gap 0 Parameter
13	10020	1010	Gap 1 Parameter
14	414	10C	Gap 2 Parameter
15	0	0	Cylinder Offset
16	0	0	Spiral Offset

\* Value after slash is with RPS disabled. See subsection 6.5.1.

Table D-17. Fujitsu M2361A Sector Setting  
Set to 594-byte sectors

Switch	Position	Setting	Switch	Position	Setting
2 <sup>1</sup>	1	OFF (0)	2 <sup>0</sup>	1	OFF (0)
	2	OFF (0)		2	ON (1)
	3	OFF (0)		3	OFF (0)
	4	OFF (0)		4	ON (1)
	5	OFF (0)		5	OFF (0)
	6	OFF (0)		6	OFF (0)
	7	ON (1)		7	ON (1)
	8	OFF (0)		8	OFF (0)

Some operating systems can not handle drives of the M2361A's size. Consequently, the drive must be split into two smaller logical units by the controller. To do this, Emulex recommends using the drive configuration parameters given in Table D-18. Table D-17 lists the drive switch settings that produce an appropriate sector size. For more information, refer to subsection D.3. If configured as shown in Table D-18, each logical drive on the Fujitsu M2361A has a user capacity of 560,924 logical blocks.

**These tables contain ODT values only. Do not use these values with formatter software. Refer to formatter manuals for those values.**

Table D-18. Fujitsu M2361A NOVRAM Parameters for Split Logical Units

Word	Oct	Hex	Description
1	1	1	Number of Drives
2	1	1	Type Code
3	12	A	Head Offset
4	103	43	Sectors per Track
5	24	14	Heads
6	1510	348	Cylinders
7	1	1	Spare Sectors per Track
8	2	2	Spare Cylinders
9	101406/6*	8306/6*	Configuration Bits
10	2	2	Split Code
11	0	0	Removable Media Flag
12	403	103	Gap 0 Parameter
13	10020	1010	Gap 1 Parameter
14	414	10C	Gap 2 Parameter
15	0	0	Cylinder Offset
16	0	0	Spiral Offset

\* Value after slash is with RPS disabled. See subsection 6.5.1.

## D.2.9 Fujitsu M2333 Disk Drive

If you are using a Fujitsu M2333 disk drive, Emulex recommends using the drive configuration parameters given in Table D-19. Table D-20 lists the drive switch settings that produce an appropriate sector size.

If configured as shown in Table D-19, the Fujitsu M2333 has a user capacity of 548,194 logical blocks.

**These tables contain ODT values only. Do not use these values with formatter software. Refer to formatter manuals for those values.**

Table D-19. Fujitsu M2333 NOVRAM Parameters

Word	Oct	Hex	Description
1	1	1	Number of Drives
2	1	1	Type Code
3	0	0	Head Offset
4	103	43	Sectors per Track <b>67</b>
5	12	A	Heads <b>10</b>
6	1465	335	Cylinders <b>821<sub>10</sub></b>
7	1	1	Spare Sectors per Track
8	2	2	Spare Cylinders
9	101406/6*	8306/6*	Configuration Bits
10	0	0	Split Code
11	0	0	Removable Media Flag
12	403	103	Gap 0 Parameter
13	10020	1010	Gap 1 Parameter
14	414	10C	Gap 2 Parameter
15	0	0	Cylinder Offset
16	0	0	Spiral Offset

\* Value after slash is with RPS disabled. See subsection 6.5.1.

Table D-20. Fujitsu M2333 Sector Setting  
Set for 594-byte sectors

Switch	Position	Setting
2	1	OFF (0)
	2	OFF (0)
	3	OFF (0)
	4	ON (1)
	5	OFF (0)
	6	ON (1)
	7	OFF (0)
3	1	OFF (0)
	2	ON (1)
	3	OFF (0)
	4	OFF (0)
	5	OFF (0)
	6	OFF (0)
	7	OFF (0)



**D.2.10 CDC 9720 EMD Disk Drive**

If configured as shown in Table D-21, the CDC 9720 EMD has a user capacity of 864,756 logical blocks.

**These tables contain ODT values only. Do not use these values with formatter software. Refer to formatter manuals for those values.**

Table D-21. CDC 9720 EMD NOVRAM Parameters

Word	Oct	Hex	Description
1	1	1	Number of Drives
2	1	1	Type Code
3	0	0	Head Offset
4	63	33	Sectors per Track
5	12	A	Heads
6	2301	4C1	Cylinders
7	1	1	Spare Sectors per Track
8	2	2	Spare Cylinders
9	71406/6*	7306/6*	Configuration Bits
10	0	0	Split Code
11	0	0	Removable Media Flag
12	403	103	Gap 0 Parameter
13	5413	B0B	Gap 1 Parameter
14	411	109	Gap 2 Parameter
15	0	0	Cylinder Offset
16	0	0	Spiral Offset

\* Value after slash is with RPS disabled. See subsection 6.5.1.

Set the CDC 9720 EMD to the 806 K<sub>HZ</sub> sector clock.

Table D-22. CDC 9720 EMD Sector Setting

Switch	Position	Setting
2 <sup>0</sup>	0	ON (1)
	1	ON (1)
	2	ON (1)
	3	ON (1)
	4	ON (1)
	5	ON (1)
2 <sup>11</sup>	6	ON (1)
	7	ON (1)
	8	OFF (0)
	9	OFF (0)
	10	OFF (0)
	11	OFF (0)

For proper operation of the CDC 9720 drive with the UD33, the switches on disk drive switchpack A213 must be set as in Table D-23.

Table D-23. CDC 9720 EMD Switch A213 Setting

Switch	Setting	Purpose
SW6	OPEN	Enables extended cylinder address bits 2 <sup>10</sup> and 2 <sup>11</sup> via Tag 2 (Head Select)
SW7	OPEN	SMD-E mode
SW8	OPEN	Extended cylinder address (0-1217)

These are the settings that directly affect the controller's performance. For other settings, see the CDC reference manual.

## D.2.11

## NEC 2362 Disk Drive

The NEC 2362 has a user capacity of 1,361,220 logical blocks. Table D-24 lists the drive parameters for operating systems that can support a single logical unit of this size. Table D-25 lists the drive parameters for operating systems that cannot support a single logical unit of this capacity. Using the configuration of Table D-25, drive 0 will have a user capacity of 710,080 logical blocks, and drive 1 will have a capacity of 650,860 logical blocks. For more information on large-capacity drives, see subsection D.3. Table D-26 lists the appropriate sector setting to use with the UD33, whether the drive is configured as a single logical unit or split logical units.

**These tables contain ODT values only. Do not use these values with formatter software. Refer to formatter manuals for those values.**

Table D-24. NEC 2362 NOVRAM Parameters  
for a Single Logical Unit

Word	Oct	Hex	Description
1	1	1	Number of Drives
2	1	1	Type Code
3	0	0	Head Offset
4	106	46	Sectors per Track
5	27	17	Heads
6	1520	350	Cylinders
7	1	1	Spare Sectors per Track
8	2	2	Spare Cylinders
9	101406/6*	8306/6*	Configuration Bits
10	0	0	Split Code
11	0	0	Removable Media Flag
12	403	103	Gap 0 Parameter
13	5413	B0B	Gap 1 Parameter
14	411	109	Gap 2 Parameter
15	0	0	Cylinder Offset
16	0	0	Spiral Offset

\* Value after slash is with RPS disabled. See subsection 6.5.1.

These tables contain ODT values only. Do not use these values with formatter software. Refer to formatter manuals for those values.

Table D-25. NEC 2362 NOVRAM Parameters for Split Logical Units

Word	Oct	Hex	Description
1	1	1	Number of Drives
2	1	1	Type Code
3	14	C	Head Offset
4	106	46	Sectors per Track
5	27	17	Heads
6	1520	350	Cylinders
7	1	1	Spare Sectors per Track
8	2	2	Spare Cylinders
9	101406/6*	8306/6*	Configuration Bits
10	2	2	Split Code
11	0	0	Removable Media Flag
12	403	103	Gap 0 Parameter
13	5413	B0B	Gap 1 Parameter
14	411	109	Gap 2 Parameter
15	0	0	Cylinder Offset
16	0	0	Spiral Offset

\* Value after slash is with RPS disabled. See subsection 6.5.1.

Use the 71 sector per track setting in "Last Sector Longer" Mode. This results in 576-byte sectors, with the last sector 64 bytes longer.

Table D-26. NEC 2362 Sector Setting

Switch	Position	Setting
SW4-	10	OFF (0)
	9	ON (1)
	8	OFF (0)
	7	ON (1)
	6	OFF (0)
	5	OFF (0)
	4	OFF (0)
	3	ON (1)
	2	ON (1)
	1	ON (1)

---

## **D.3 Special Considerations for Large Capacity Drives**

---

Some DEC operating systems have limits on the number of blocks that can be supported by an individual device. If you are using a large capacity drive, such as a CDC 9771 XMD, you must be aware of these special considerations when entering the drive configuration parameters.

If your application uses MicroVMS, the operating system automatically sizes the device during the disk initialization process. You do not need to make any adjustments to the drive configuration parameters.

However, if your application uses either the RSX-11M, RSX-11M-PLUS, or RSTS/E operating systems, you must ensure that the number of blocks on the drive does not exceed the operating system limit for individual devices. The limit for individual devices under RSX-11M and RSX-11M-PLUS is 1,044,480 blocks; the limit for RSTS/E is 1,048,576 blocks.

If the user area on the formatted drive is larger than the number of blocks supported by the operating system, you must either split the drive into logical units of an acceptable size or limit the drive capacity.

To determine if the drive capacity falls within the operating system limits for individual devices, use the following procedure:

1. Determine the approximate number of usable blocks on a formatted drive by multiplying the number of sectors per track (not including spares) by the number of data heads by the number of cylinders (not including spares).

For a CDC 9771, 86 sectors per track multiplied by 16 data heads equals 1376; 1376 multiplied by 1022 cylinders equals 1,406,272 blocks. (Data taken from Table D-10.)

2. Compare the number of usable blocks to the number of blocks allowed for an individual device. The limit for individual devices under RSX-11M and RSX-11M-PLUS is 1,044,480 blocks; the limit for RSTS/E is 1,048,576 blocks.

The number of usable blocks on a CDC 9771, which has approximately 1,406,272 blocks, is greater than the number of blocks allowed for an individual device under the RSX-11M, RSX-11M-PLUS, and RSTS/E operating systems.

3. If the number of usable blocks is greater than the limit for your operating system, you may either limit the drive capacity, or split the drive into logical units that do not exceed the operating system limits.

The number of usable blocks for a CDC 9771 exceeds the limits for the RSX-11M, RSX-11M-PLUS, and RSTS/E operating systems. For an example of a logical split, refer to Table D-9.

4. If the number of usable blocks is less than the limit for your operating system, the operating system will support the entire drive capacity as one device.



## Reader's Comments

Your comments and suggestions will help us in our continuous effort to improve the quality and usefulness of our publication.

Manual Part Number \_\_\_\_\_ Rev. \_\_\_\_\_

What is your general reaction to this manual? In your judgment is it complete, accurate, well organized, well written, etc.? Is it easy to use? \_\_\_\_\_

\_\_\_\_\_

What features are most useful? \_\_\_\_\_

What faults or errors have you found in the manual? \_\_\_\_\_

Does this manual satisfy the need you think it was intended to satisfy? \_\_\_\_\_

Does it satisfy *your* needs? \_\_\_\_\_ Why? \_\_\_\_\_

Please send me the current copy of the *Controller Handbook*, which contains the information on the remainder of EMULEX's controller products.

Name \_\_\_\_\_

Street \_\_\_\_\_

Title \_\_\_\_\_

City \_\_\_\_\_

Company \_\_\_\_\_

State/Country \_\_\_\_\_

Department \_\_\_\_\_

Zip \_\_\_\_\_

Additional copies of this document are available from:

Emulex Corporation  
3545 Harbor Boulevard  
P.O. Box 6725  
Costa Mesa, CA 92626  
Attention: Customer Services

-----  
Fold Here and Staple

-----  
Do Not Tear — Fold Here



NO POSTAGE  
NECESSARY  
IF MAILED  
IN THE  
UNITED STATES

**BUSINESS REPLY MAIL**

FIRST CLASS PERMIT NO. 202 COSTA MESA, CA

POSTAGE WILL BE PAID BY ADDRESSEE  
EMULEX CORPORATION  
3545 HARBOR BOULEVARD  
P.O. BOX 6725  
COSTA MESA, CALIFORNIA 92626  
ATTN: TECHNICAL PUBLICATIONS

