

**ILLUSTRATED
PARTS
BREAKDOWN**

**VT340
VIDEO TERMINAL**

HOW TO USE THE IPB

GENERAL

This IPB is compiled following the organization and nomenclature of the engineering drawing structure.

MAJOR ASSEMBLY LOCATOR (When Applicable)

The Major Assembly Locator (first illustration) is an index that provides a description and a figure reference for all illustrations used in this manual.

INDENTED PARTS LIST

This manual identifies each assembly being broken down (figure reference callout), and all parts of that assembly. Further breakdown of an assembly is shown by an asterisk (*) preceding the item callouts in the Description Column. The number of asterisks preceding an item is used to denote the subordination of that item with respect to the Major Assembly. A single asterisk preceding an item description indicates that the item is part of the major assembly being illustrated. Items that are subordinate to single asterisks items, are denoted by two asterisks (**) and immediately follow the related single asterisk item. This system of part identification provides a means for the user to identify the next higher assembly item and make alternate selections for parts when the required replacement part of assembly is not immediately available.

COLUMN CALLOUT DESCRIPTION

Figure and Item - Indicates the figure number and item number of each part.

Description - Lists the name of the part and pertinent specifications (when required). Asterisks preceding the description denote the subordination of the part to the next higher assembly.

DEC Part No. - Lists the Digital part ordering number. A blank in this column indicates a Digital part number was not assigned at the time of publication.

ECO Cut-In - The notation at the top of this column indicates the ECO level of the system (option) at which the IPB was initially prepared. Subsequent ECO level designations that modify existing parts or add new parts to the device, are inserted in the ECO Cut-In column next to the part that is added or modified.

Used On Code - Letters in this column correspond to the variation codes assigned in Figure 1. Parts with an Alpha notation(s) are used only in those option variations. A blank indicates that the part is used on all option variations.

Ref Fig No. - A cross reference between illustrations. For each Major Assembly, the number in this column denotes the figure of the next higher assembly. For all subassemblies, the number in this column denotes the figure showing additional detailed breakdown.

PART NUMBER/PART DESCRIPTION INDEX SECTION
Parts are indexed both numerically and alphabetically by description, referenced to a location within the IPB, by figure number and item number.

REVISION HISTORY

PRINTING	ECO LEVEL		DATE	OTHER IPB MANUALS REFERENCED
	FIGURE	ITEM		
3rd Printing	VT340	00000-00004	31-MAY-90	N A
	70-23725	00000-00002		
	70-26553	00000-00000		
	70-23688	VT340-00004		
	70-26554	00000-00000		
	70-23687	00000-00000		
	70-26567	00000-00000		
	70-22620	00000-00000		
	70-26546	00000-00000		

Digital Equipment Corporation reserves the right, without notice, to make substitutions and modifications in the specifications of products documented in this manual and further reserves the right to withdraw any of these products from the market without notice.

Digital Equipment Corporation is not responsible for errors which may appear in the technical description (including illustrations and photographs) of the products covered by this manual.

None of the descriptions contained in this manual imply the granting of any license whatsoever to make, use or sell equipment constructed in accordance therewith.

Restricted Rights: Use, duplication or disclosure by the U.S. Government is subject to restrictions as set forth in subparagraph (c) (1) (ii) of the Rights in Technical Data and Computer Software clause at DFARS 252.227-2713.

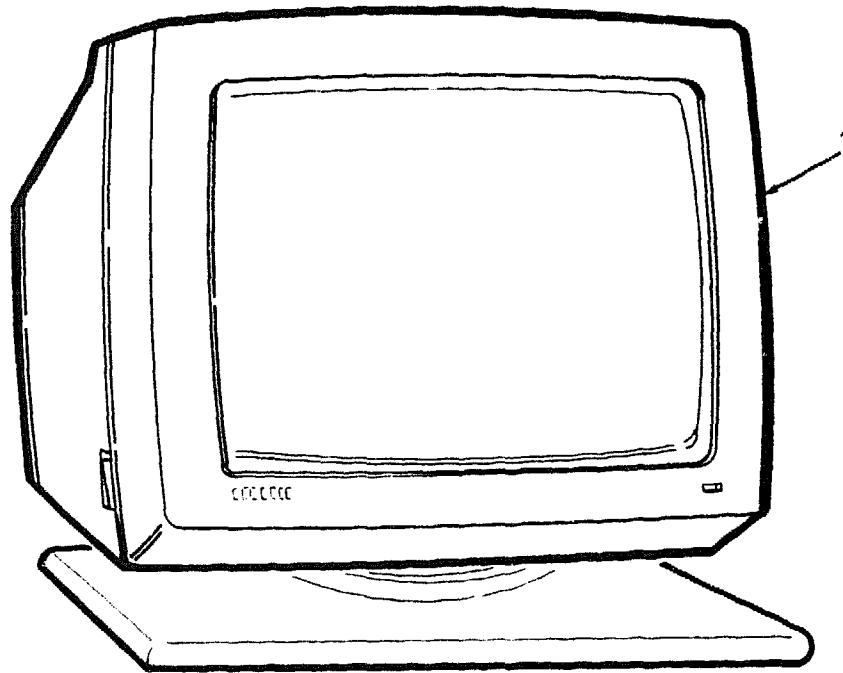
Copyright © 1987, 1988, 1990 by Digital Equipment Corporation. All rights reserved.

The postage-paid READER'S COMMENTS form on the last page of this document requests your critical evaluation to assist us in preparing future documentation.

The following are trademarks of Digital Equipment Corporation :

digitalTM

DEC
DECUS
PDP
UNIBUS
VAX
VT340



ORIGINAL DESIGN

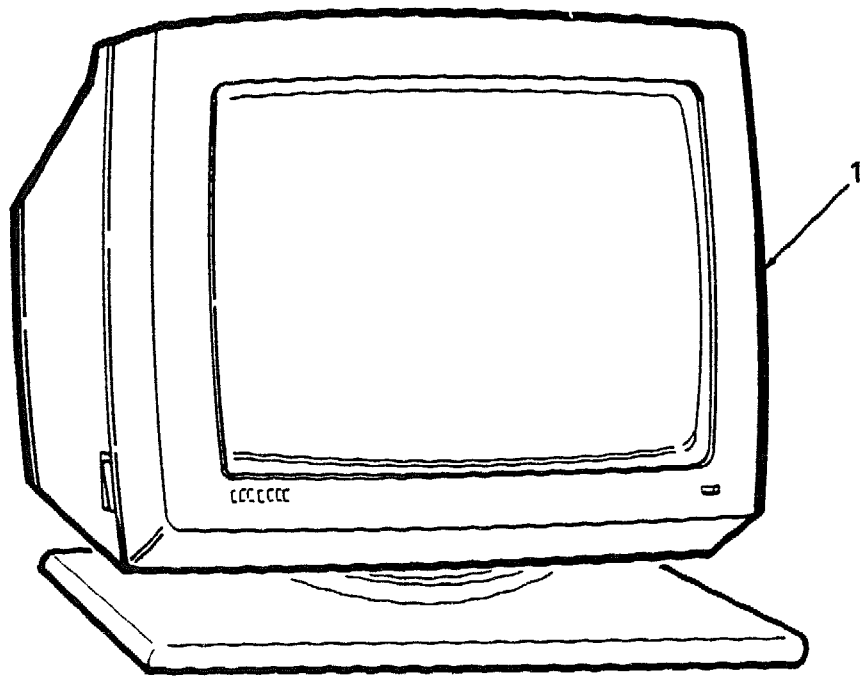
VT340-01-BD

Figure 1. VT340 Terminal Unit Assembly

PARTS LIST



FIG. & ITEM NO.	DESCRIPTION	DEC PART NO.	ECO CUT-IN VT340 00000	USED ON CODE	REF FIG NO.
1-	VT340 TERMINAL UNIT ASSEMBLY (Original Design) Code A-Used on VT340-A2 110V Code B-Used on VT340-A3 220V Code C-Used on VT340-A4 110V Code D-Used on VT340-A5 220V	VT340-A2 VT340-A3 VT340-A4 VT340-A5		A B C D	
1	*TERMINAL SUB-ASSEMBLY (Original Design) *TERMINAL SUB-ASSEMBLY (Original Design) LABEL (Not Shown) *Label, "Regulatory" (deleted) *Label, "Regulatory" (added) *Label, "Serial VT340-A2" *Label, "Serial VT340-A3" *Label, "Serial VT340-A4" *Label, "Serial VT340-A5"	70-23725-01 70-23725-02 36-26330-05 36-26330-07 36-26331-13 36-26331-14 36-26331-15 36-26331-16	00001	AB CD A B C D	2 2



MODIFIED DESIGN

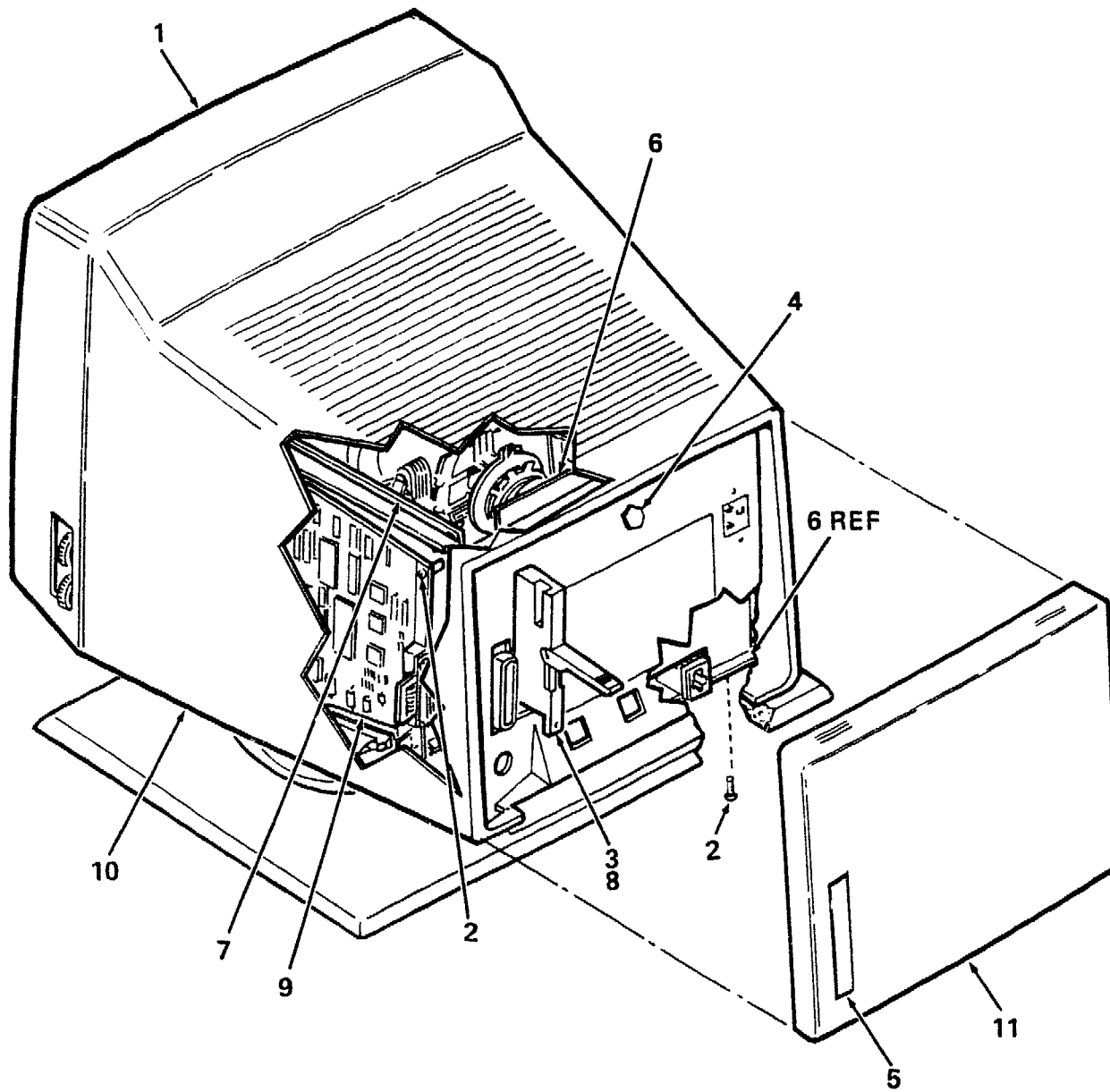
VT340-01A-BD

Figure 1A. VT340 Terminal Unit Assembly

PARTS LIST



FIG. & ITEM NO.	DESCRIPTION	DEC PART NO. ^E	ECO CUT-IN VT340 00000	USED ON CODE	REF FIG NO.
1A-	VT340 TERMINAL UNIT ASSEMBLY (Modified Design) Code E-Used on VT340-G2 110V Code F-Used on VT340-G3 220V Code G-Used on VT340-G4 110V Code H-Used on VT340-G5 220V	VT340-G2 VT340-G3 VT340-G4 VT340-G5		E F G H	
1	*TERMINAL SUB-ASSEMBLY (Modified Design) *TERMINAL SUB-ASSEMBLY (Modified Design) LABEL (Not Shown) *Label, "Regulatory" *Label, "Serial VT340-G2" *Label, "Serial VT340-G3" *Label, "Serial VT340-G4" *Label, "Serial VT340-G5"	70-26553-01 70-26553-02 36-26330-07 36-33640-04 36-33640-05 36-33640-06 36-33640-07		EF GH E F G H	2A 2A



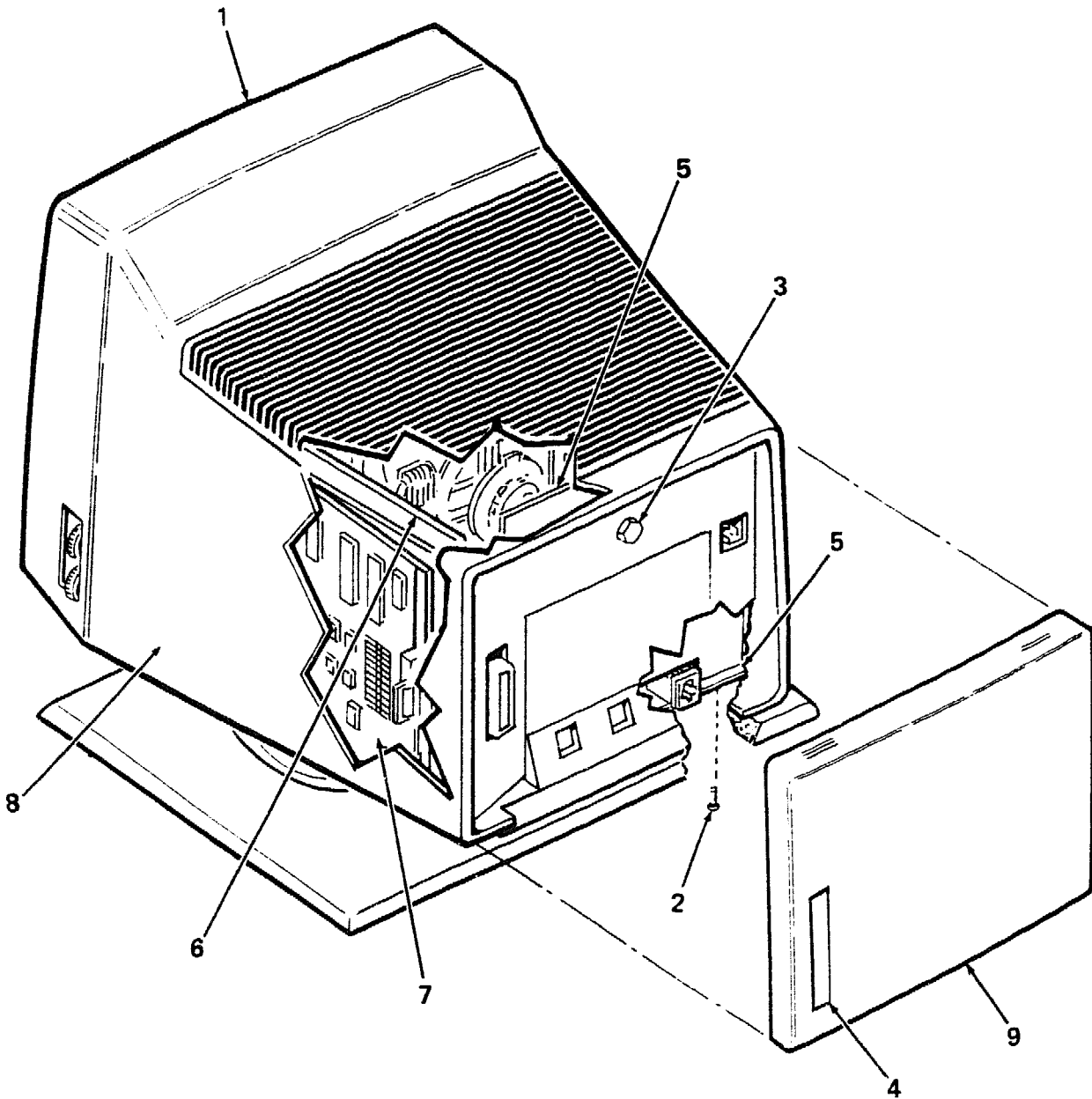
ORIGINAL DESIGN

VT340-02-BD

Figure 2. Terminal Sub-Assembly

PARTS LIST

FIG. & ITEM NO.	DESCRIPTION	DEC PART NO. ^C	ECO CUT-IN 70-23725 000000	USED ON CODE	REF FIG NO.
2-	TERMINAL SUB-ASSEMBLY (Original Design)	70-23725-01		AB	1
	TERMINAL SUB-ASSEMBLY (Original Design)	70-23725-02		CD	1
1	*BEZEL/CRT/CHASSIS ASSEMBLY (Original Design)	70-23688-01		AB	3
	*BEZEL/CRT/CHASSIS ASSEMBLY (Original Design)	70-23688-02		CD	3
2	*Screw, Sems Phi Pan Hd No. 6-32 x 5/16	90-00049-24			
3	*Screw, Phi Pan Hd No. 4-40 x 5/16	90-06010-01			
4	*Screw, Hex Hd No. 10-32	12-26951-01			
5	*Cover, RS232	74-32401-01			
6	*PS/Monitor and ARC Protection Assembly	70-24516-01			
7	*Module, Color Video AMP	54-16963-01			
8	*Cartridge Assembly, ROM	70-22623-04			
9	*Module, Terminal Control	54-16965-01			
10	*COVER ASSEMBLY, REAR (Original Design)	70-23687-01			4
11	*Panel, Rear	74-33422-01			



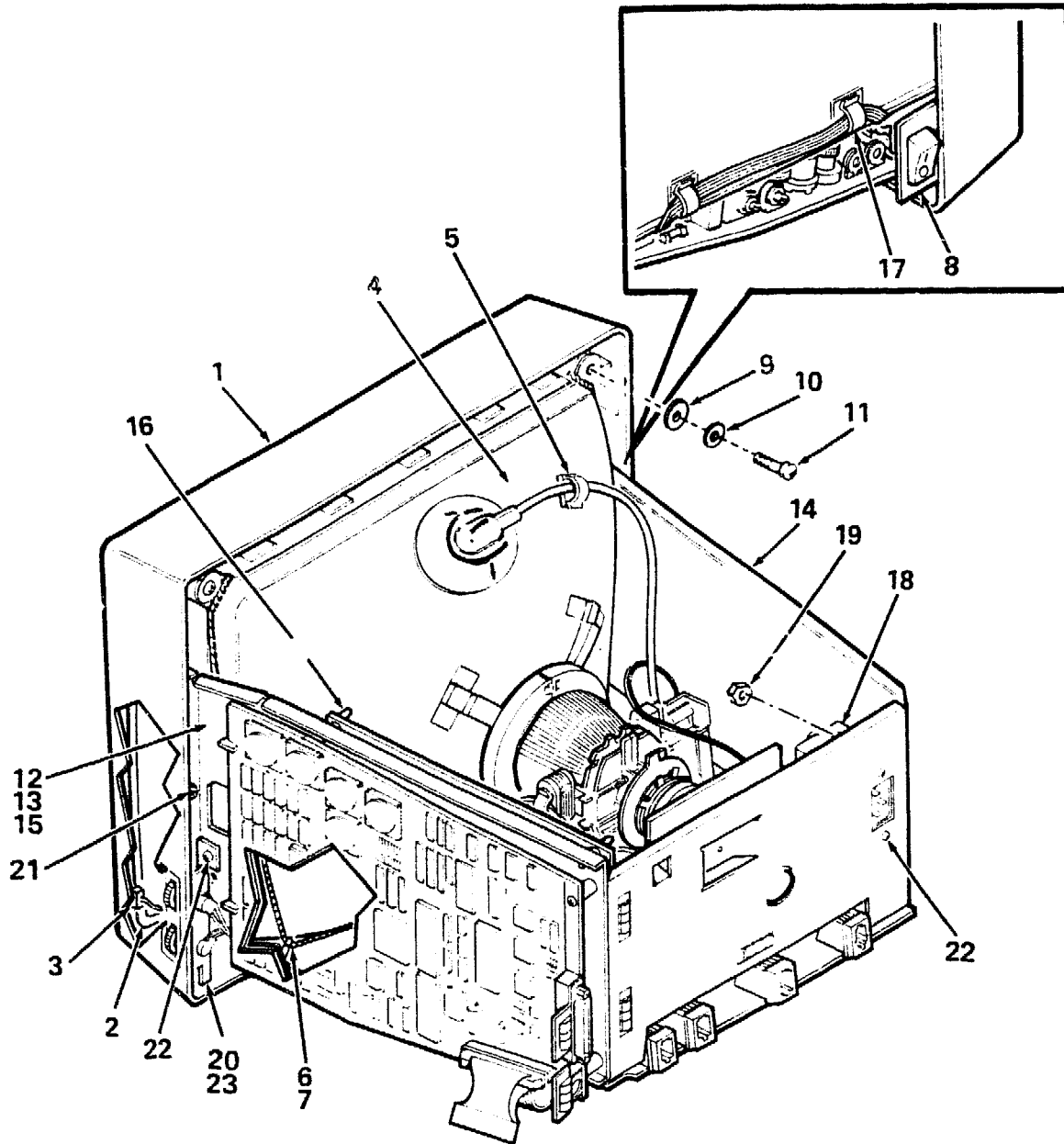
MODIFIED DESIGN

VT340-02A-BD

Figure 2A. Terminal Sub-Assembly

PARTS LIST

FIG. & ITEM NO.	DESCRIPTION	DEC PART NO. ^A	ECO CUT-IN 70-26553 00000	USED ON CODE	REF FIG NO.
2A	TERMINAL SUB-ASSEMBLY (Modified Design)	70-26553-01		EF	1A
	TERMINAL SUB-ASSEMBLY (Modified Design)	70-26553-02		GH	1A
1	*BEZEL/CRT/CHASSIS ASSEMBLY (Modified Design)	70-26554-01		EF	3A
	*BEZEL/CRT/CHASSIS ASSEMBLY (Modified Design)	70-26554-02		GH	3A
2	*Screw, Sems Phi Pan Hd No. 6-32 x 5/16	90-00049-24			
3	*Screw, Hex Hd No. 10-32	12-26951-01			
4	*Cover, RS232	74-32401-01			
5	*PS/Monitor and ARC Protection Assembly	70-26568-01			
6	*Module, Color Video AMP	54-20130-01			
7	*Module, Terminal Control	54-20128-01			
8	*COVER/BASE ASSEMBLY, REAR (Modified Design)	70-26567-01			4A
9	*Panel, Rear	74-33422-01			



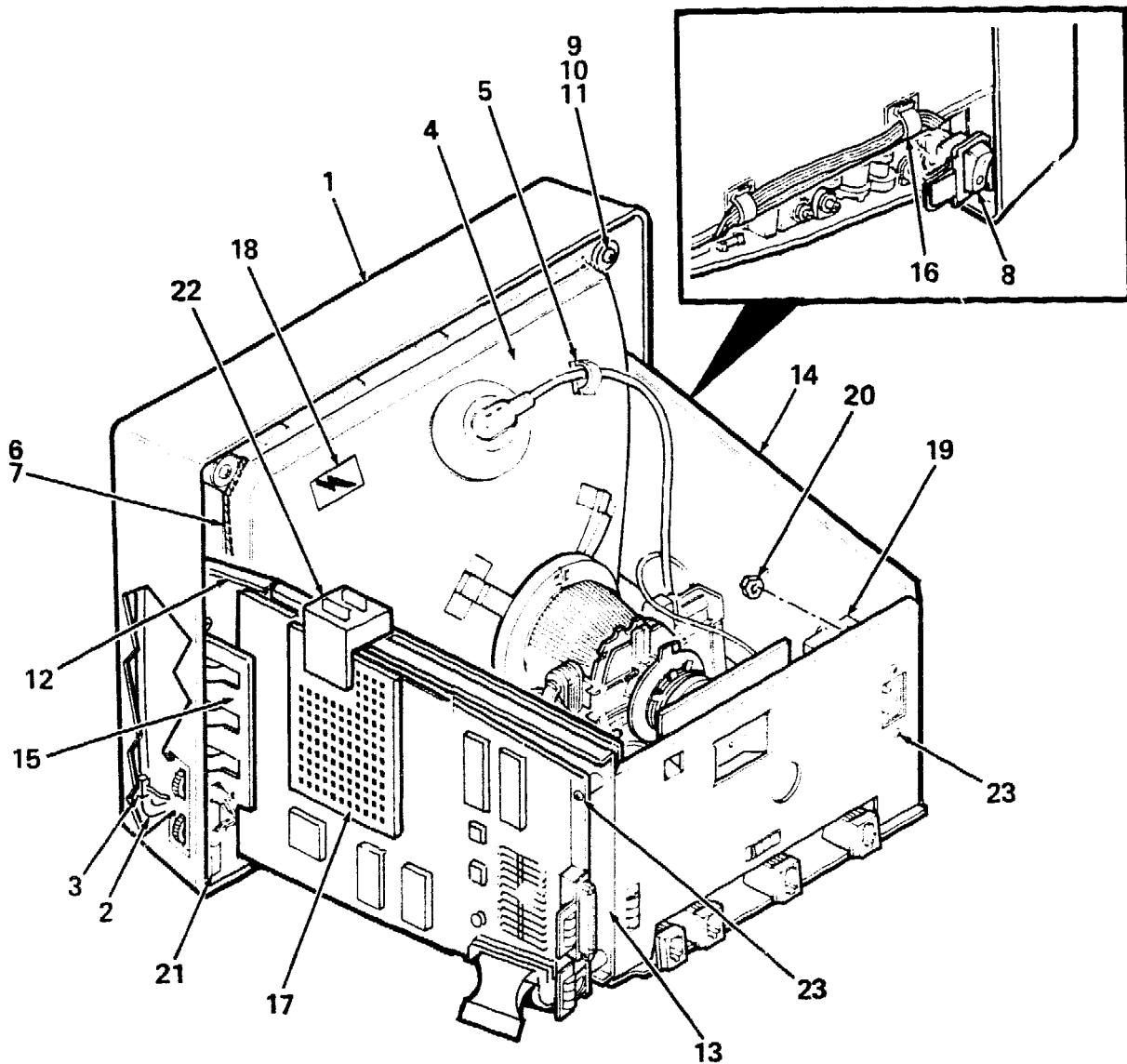
ORIGINAL DESIGN

VT340-03-BD

Figure 3. Bezel/CRT/Chassis Assembly

PARTS LIST

FIG. & ITEM NO.	DESCRIPTION	DEC PART NO.	ECO CUT-IN 70-23688 00000	USED ON CODE	REF FIG NO.
3-	BEZEL/CRT/CHASSIS ASSEMBLY (Original Design)	70-23688-01		AB	2
	BEZEL/CRT/CHASSIS ASSEMBLY (Original Design)	70-23688-02		CD	2
1	*Bezel, Front	74-32411-01			
2	*Coil Assembly, Degauss	70-23719-01			
3	*LED Assembly	70-20773-01			
4	*CRT/Yoke Assembly	12-27246-01		AB	
	*CRT/Yoke Assembly	12-27246-02		CD	
5	*Clip, Cable	90-10792-01			
6	*Spring Extension	90-09279-03			
7	*Ground Strap Assembly	70-23727-01			
8	*INLET/SWITCH ASSEMBLY (Original Design)	70-22620-02			5
9	*Washer, Flat	90-10196-00			
10	*Washer, Lock (deleted)	12-26940-01			
	*Washer, Lock (added)	12-28359-01	VT340 00004		
11	*Screw, Phi Pan Hd No. 10-5/8	90-09800-15			
12	*CHASSIS ASSEMBLY	70-23686-01			
13	**Chassis, Right	74-32413-01			
14	**Chassis, Left	74-32414-01			
15	**Bracket, Grounding	74-34914-01			
16	**Support, Circuit Board Locking (deleted)	90-09747-01			
	**Support, Circuit Board Locking (added)	90-09747-02	VT340 00004		
17	**Clip, Cable	12-21249-04			
18	*Shield, EMI Filter	74-34218-01			
19	*Nut, Kep No.10-32 x 3/8	90-06565-00			
20	*Bracket Assembly, Control	70-22618-02			
21	*Screw, Phi Pan Hd No. 10-32 x 3/8	90-09800-14			
22	*Screw, Sems Phi Pan Hd No.6-32 x 5/16	90-00049-24			
23	*Cable, CRT Ground	70-23735-01			
	LABEL (Not Shown)				
	*Label, "Danger High Voltage"	36-10267-00			
	LOGO/NAMEPLATE (Not Shown)				
	*Logo, "DIGITAL"	74-33851-01			
	*Nameplate, "VT340"	74-34079-01			



MODIFIED DESIGN

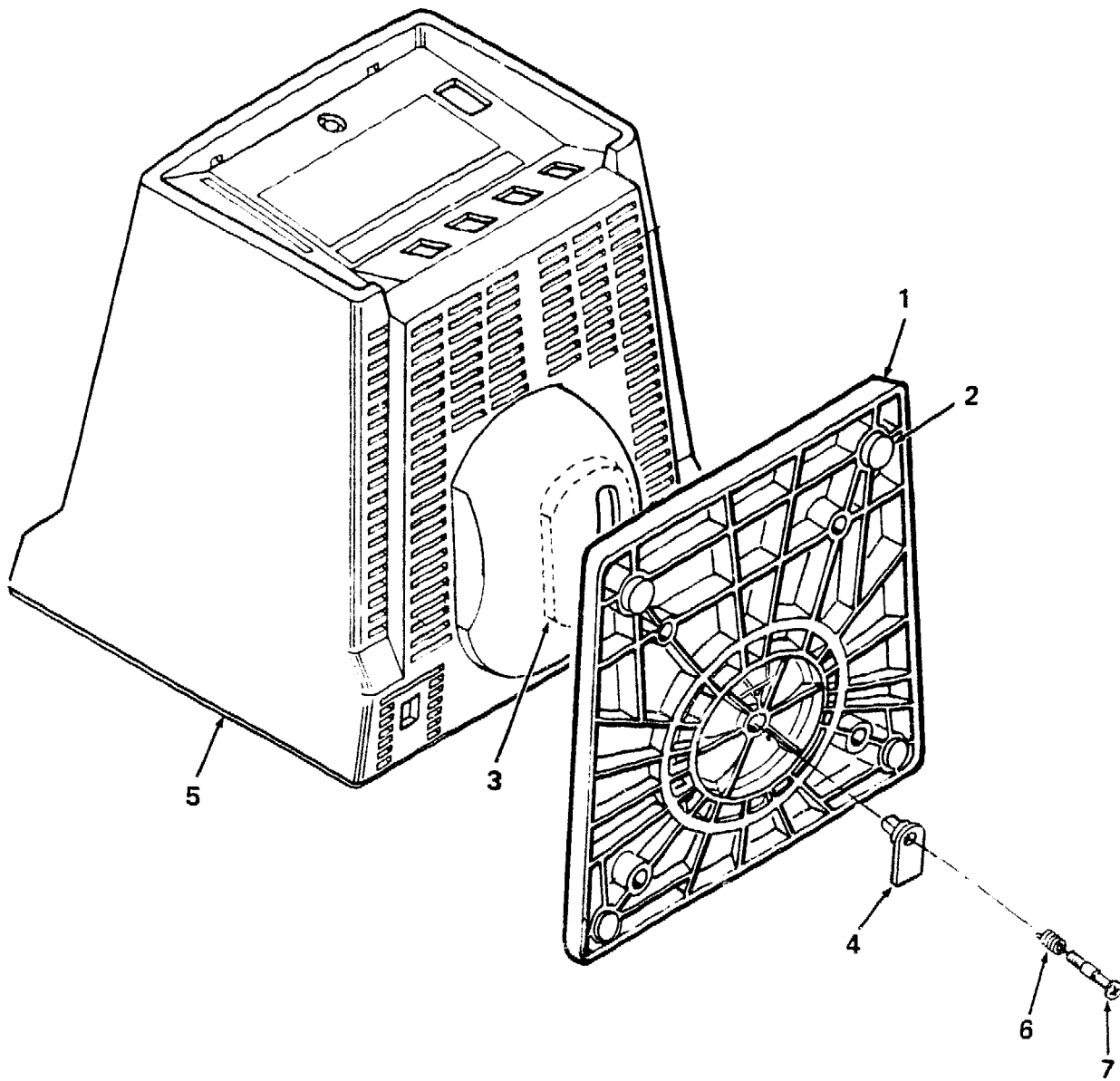
VT340-03A-BD

Figure 3A. Bezel/CRT/Chassis Assembly

PARTS LIST



FIG. & ITEM NO.	DESCRIPTION	DEC PART NO. ^A	ECO CUT-IN 70-26554 00000	USED ON CODE	REF FIG NO.
3A-	BEZEL/CRT/CHASSIS ASSEMBLY (Modified Design)	70-26554-01		EF	2A
	BEZEL/CRT/CHASSIS ASSEMBLY (Modified Design)	70-26554-02		GH	2A
1	*Bezel, Front	74-32411-01			
2	*Coil Assembly, Degauss	70-26563-01			
3	*LED Assembly	70-20773-01			
4	*CRT/Yoke Assembly	12-27246-01		EF	
	*CRT/Yoke Assembly	12-27246-02		GH	
5	*Clip, Cable	90-10792-01			
6	*Spring, Extension (Ground Cable Restraint)	90-09279-03			
7	*Cable Assembly, CRT and Ground Strap	70-26569-01			
8	*INLET/SWITCH ASSEMBLY	70-26546-01			5A
9	*Washer, Flat	90-10196-00			
10	*Washer, Lock	12-26940-02			
11	*Screw, Phi Pan Hd No. 10-16 x 5/8	90-09800-15			
12	*CHASSIS ASSEMBLY	70-26561-01			
13	**Chassis, Right	74-39493-01			
14	**Chassis, Left	74-32414-02			
15	**Bracket, Grounding	74-34914-01			
16	**Clip, Cable	12-10355-01			
17	*Cover, T/C	74-40244-01			
18	*Label, "Danger High Voltage"	36-10267-05			
19	*Shield, EMI Filter	74-34218-01			
20	*Nut, Kep No.10-32 x 3/8	90-06565-00			
21	*Bracket Assembly, Control	70-22618-02			
22	*Shield, Cable	74-40245-01			
23	*Screw, Sems Phi Pan Hd No. 6-32 x 5/16	90-00049-24			
	LOGO/NAMEPLATE (Not Shown)				
	*Logo, "DIGITAL"	74-33852-04			
	*Nameplate, "VT340plus"	74-34079-03			
	*Cover, Video	74-40242-01			



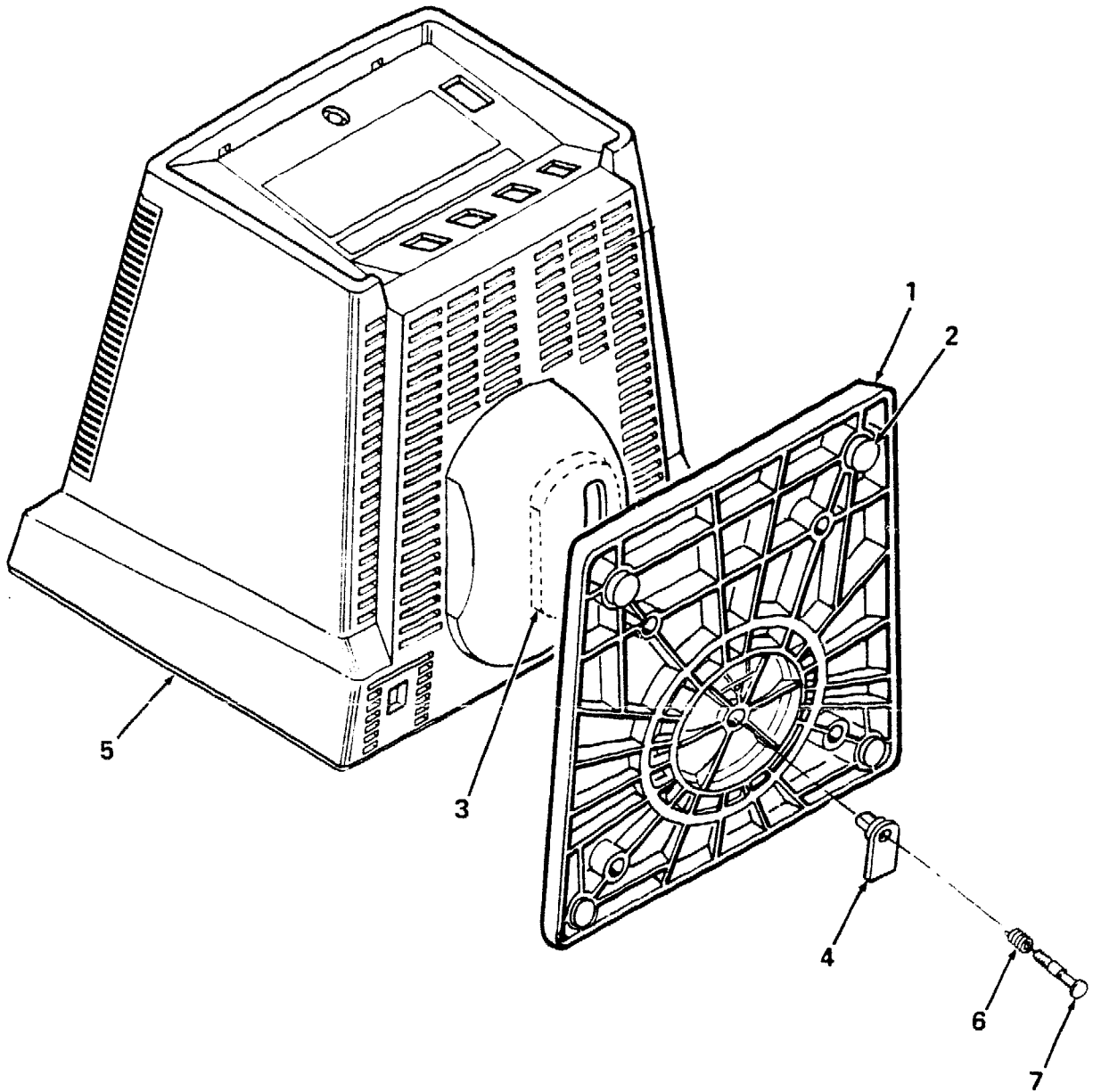
ORIGINAL DESIGN

VT340-04-BD

Figure 4. Cover Assembly, Rear

PARTS LIST

FIG. & ITEM NO.	DESCRIPTION	DEC PART NO.	A ECO CUT-IN 70-23687 00000	USED ON CODE	REF FIG NO.
4-	COVER ASSEMBLY, REAR (Original Design)	70-23687-01			2
1	*Base, Swivel	74-33476-01			
2	*Bumper	12-26968-01			
3	*Brake, Swivel	74-32392-01			
4	*Pivot, Swivel	74-32557-01			
5	*Screen Assembly, Rear Enclosure	70-24042-01			
6	*Spring, Swivel	12-26967-01			
7	*Screw, Self-Tap Phi Hd No. 1/4-20	12-26952-01			



MODIFIED DESIGN

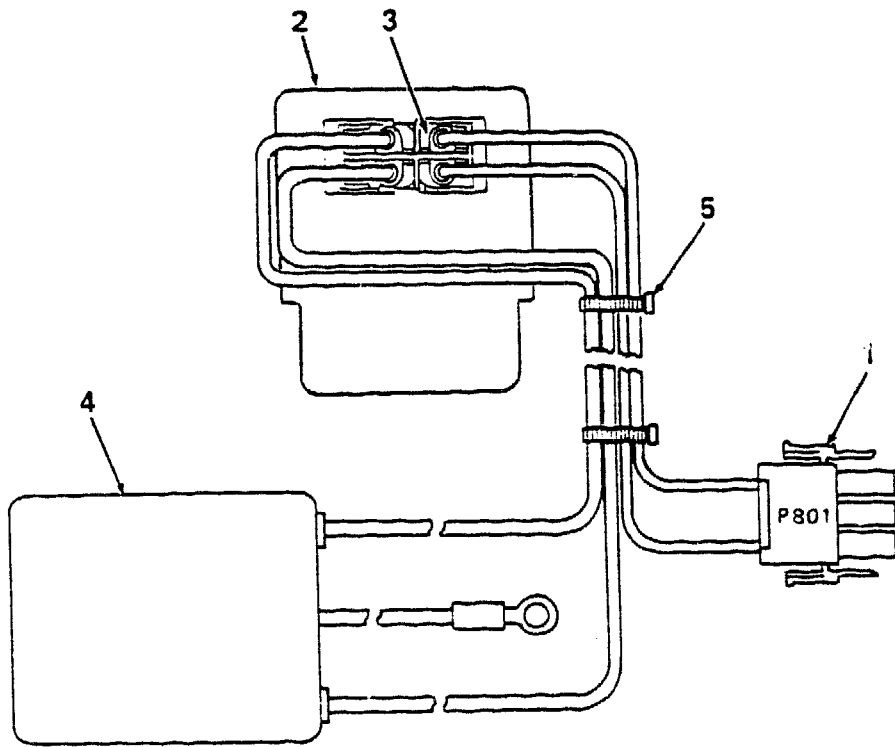
VT340-04A-BD

Figure 4A. Cover/Base Assembly, Rear

PARTS LIST



FIG. & ITEM NO.	DESCRIPTION	DEC PART NO. ^A	ECO CUT-IN 70-26567 00000	USED ON CODE	REF FIG NO.
4A-	COVER/BASE ASSEMBLY, REAR (Modified Design)	70-26567-01			2A
1	*Base, Swivel	74-33476-01			
2	*Bumper	12-26968-01			
3	*Brake, Swivel	74-32392-01			
4	*Pivot, Swivel	74-32557-01			
5	*Enclosure/Screen Assembly, Rear	70-26566-01			
6	*Spring, Swivel	12-26967-01			
7	*Screw, Self-Tap Phi Hd No. 1/4-20	12-26952-01			



ORIGINAL DESIGN

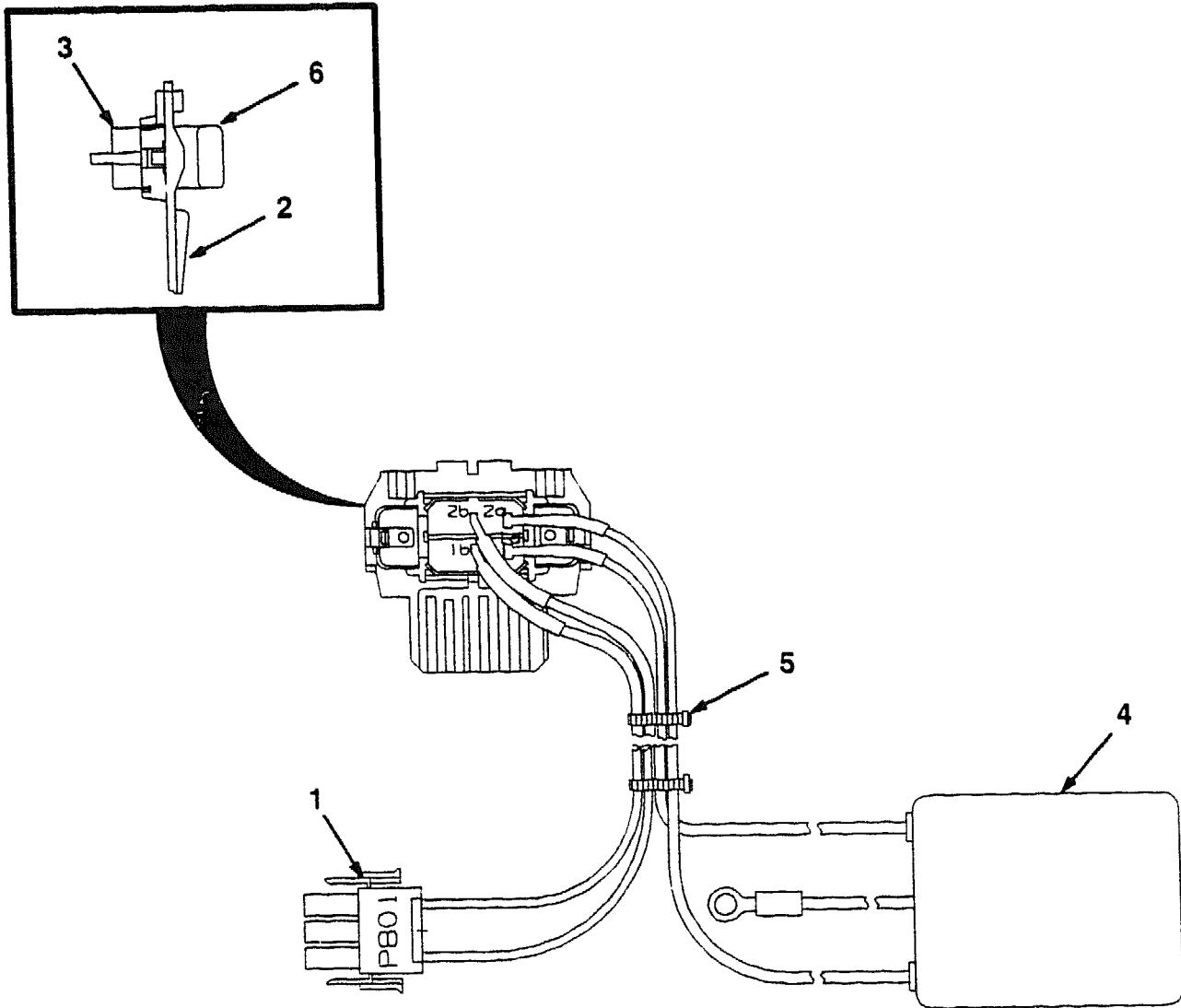
VT340-05-BD

Figure 5. Inlet/Switch Assembly

PARTS LIST



FIG. & ITEM NO.	DESCRIPTION	DEC PART NO. ^A	ECO CUT-IN 70-22620 00000	USED ON CODE	REF FIG NO.
5-	INLET/SWITCH ASSEMBLY (Original Design)	70-22620-02			3
1	*Wire Assembly, Power (P801)	70-24292-02			
2	*Bracket, Power Switch	74-32631-01			
3	*Switch, (S1) Rocker (DPST, 16A 125V/250V)	12-26116-01			
4	*Filter Assembly	70-23755-02			
5	*Tie, Cable	90-09996-00			



MODIFIED DESIGN

VT340-05A-IL

Figure 5A. Inlet/Switch Assembly

PARTS LIST



FIG. & ITEM NO.	DESCRIPTION	DEC PART NO.	ECO CUT-IN 70-26546 00000	USED ON CODE	REF FIG NO.
5A-	INLET/SWITCH ASSEMBLY (Modified Design)	70-26546-01		3A	
1	*Connector, Housing 3 Position (P801)	12-12167-01			
2	*Bracket, Power Switch	74-38670-01			
3	*Switch, Rocker (DPST, 16A 125V/250V)	12-33394-01			
4	*Filter, EMI	12-32395-01			
5	*Tie, Cable	90-09996-00			
6	*Cap, Power Switch	74-39870-01			

Ω

PART NUMBER/DESCRIPTION SORT



INDEX BY DEC PART NUMBER
VT340 VIDEO TERMINAL

PART NO.	DESCRIPTION	FIG NO.	ITEM NO.
12-10355-01	Clip, Cable	3A	16
12-12167-01	Connector, Housing 3 Position (P801)	5A	1
12-21249-04	Clip, Cable	3	17
12-26116-01	Switch, (S1) Rocker (DPST, 16A 125V/250V)	5	3
12-26940-01	Washer, Lock (deleted)	3	10
12-26940-02	Washer, Lock	3A	10
12-26951-01	Screw, Hex Hd No. 10-32	2A	3
12-26951-01	Screw, Hex Hd No. 10-32	2	4
12-26952-01	Screw, Self-Tap Phi Hd No. 1/4-20	4	7
12-26952-01	Screw, Self-Tap Phi Hd No. 1/4-20	4A	7
12-26967-01	Spring, Swivel	4	6
12-26967-01	Spring, Swivel	4A	6
12-26968-01	Bumper	4A	2
12-26968-01	Bumper	4	2
12-27246-01	CRT/Yoke Assembly	3	4
12-27246-01	CRT/Yoke Assembly	3A	4
12-27246-02	CRT/Yoke Assembly	3A	4
12-27246-02	CRT/Yoke Assembly	3	4
12-28359-01	Washer, Lock (added)	3	10
12-32395-01	Filter, EMI	5A	4
12-33394-01	Switch, Rocker (DPST, 16A 125V/250V)	5A	3
36-10267-00	Label, "Danger High Voltage"	3	Not Shown
36-10267-05	Label, "Danger High Voltage"	3A	18
36-26330-05	Label, "Regulatory" (deleted)	1	Not Shown
36-26330-07	Label, "Regulatory" (added)	1	Not Shown
36-26330-07	Label, "Regulatory"	1A	Not Shown
36-26331-13	Label, "Serial VT340-A2"	1	Not Shown
36-26331-14	Label, "Serial VT340-A3"	1	Not Shown
36-26331-15	Label, "Serial VT340-A4"	1	Not Shown
36-26331-16	Label, "Serial VT340-A5"	1	N/A
36-33640-04	Label, "Serial VT340-G2"	1A	Not Shown
36-33640-05	Label, "Serial VT340-G3"	1A	Not Shown
36-33640-06	Label, "Serial VT340-G4"	1A	Not Shown
36-33640-07	Label, "Serial VT340-G5"	1A	Not Shown
54-16963-01	Module, Color Video AMP	2	7
54-16965-01	Module, Terminal Control	2	9
54-20128-01	Module, Terminal Control	2A	7
54-20130-01	Module, Color Video AMP	2A	6
70-20773-01	LED Assembly	3A	3
70-20773-01	LED Assembly	3	3
70-22618-02	Bracket Assembly, Control	3A	21
70-22618-02	Bracket Assembly, Control	3	20
70-22620-02	INLET/SWITCH ASSEMBLY (Original Design)	3	8
70-22620-02	INLET/SWITCH ASSEMBLY (Original Design)	5	N/A
70-22623-04	Cartridge Assembly, ROM	2	8
70-23686-01	CHASSIS ASSEMBLY	3	12
70-23687-01	COVER ASSEMBLY, REAR (Original Design)	2	10
70-23687-01	COVER ASSEMBLY, REAR (Original Design)	4	N/A

NOTE

When the description includes "added" or "deleted, ALWAYS refer to the figure parts list for the latest part description.

INDEX BY DEC PART NUMBER
VT340 VIDEO TERMINAL

PART NO.	DESCRIPTION	FIG NO.	ITEM NO.
70-23688-01	BEZEL/CRT/CHASSIS ASSEMBLY (Original Design)	3	N/A
70-23688-01	BEZEL/CRT/CHASSIS ASSEMBLY (Original Design)	2	1
70-23688-02	BEZEL/CRT/CHASSIS ASSEMBLY (Original Design)	3	N/A
70-23688-02	BEZEL/CRT/CHASSIS ASSEMBLY (Original Design)	2	1
70-23719-01	Coil Assembly, Degauss	3	2
70-23725-01	TERMINAL SUB-ASSEMBLY (Original Design)	1	1
70-23725-01	TERMINAL SUB-ASSEMBLY (Original Design)	2	N/A
70-23725-02	TERMINAL SUB-ASSEMBLY (Original Design)	1	1
70-23725-02	TERMINAL SUB-ASSEMBLY (Original Design)	2	N/A
70-23727-01	Ground Strap Assembly	3	7
70-23735-01	Cable, CRT Ground	3	23
70-23755-02	Filter Assembly	5	4
70-24042-01	Screen Assembly, Rear Enclosure	4	5
70-24292-02	Wire Assembly, Power (P801)	5	1
70-24516-01	PS/Monitor and ARC Protection Assembly	2	6
70-26546-01	INLET/SWITCH ASSEMBLY (Modified Design)	5A	N/A
70-26546-01	INLET/SWITCH ASSEMBLY	3A	8
70-26553-01	TERMINAL SUB-ASSEMBLY (Modified Design)	2A	N/A
70-26553-01	TERMINAL SUB-ASSEMBLY (Modified Design)	1A	1
70-26553-02	TERMINAL SUB-ASSEMBLY (Modified Design)	2A	N/A
70-26553-02	TERMINAL SUB-ASSEMBLY (Modified Design)	1A	1
70-26554-01	BEZEL/CRT/CHASSIS ASSEMBLY (Modified Design)	3A	N/A
70-26554-01	BEZEL/CRT/CHASSIS ASSEMBLY (Modified Design)	2A	1
70-26554-02	BEZEL/CRT/CHASSIS ASSEMBLY (Modified Design)	2A	1
70-26554-02	BEZEL/CRT/CHASSIS ASSEMBLY (Modified Design)	3A	N/A
70-26561-01	CHASSIS ASSEMBLY	3A	12
70-26563-01	Coil Assembly, Degauss	3A	2
70-26566-01	Screen Assembly, Rear Enclosure	4A	5
70-26567-01	COVER/BASE ASSEMBLY, REAR (Modified Design)	4A	N/A
70-26567-01	COVER/BASE ASSEMBLY, REAR (Modified Design)	2A	8
70-26568-01	PS/Monitor and ARC Protection Assembly	2A	5
70-26569-01	Cable Assembly, CRT and Ground Strap	3A	7
74-32392-01	Brake, Swivel	4	3
74-32392-01	Brake, Swivel	4A	3
74-32401-01	Cover, RS232	2	5
74-32401-01	Cover, RS232	2A	4
74-32411-01	Bezel, Front	3	1
74-32411-01	Bezel, Front	3A	1
74-32413-01	Chassis, Right	3	13
74-32414-01	Chassis, Left	3	14
74-32414-02	Chassis, Left	3A	14
74-32557-01	Pivot, Swivel	4A	4
74-32557-01	Pivot, Swivel	4	4
74-32631-01	Bracket, Power Switch	5	2
74-33422-01	Panel, Rear	2	11
74-33422-01	Panel, Rear	2A	9
74-33476-01	Base, Swivel	4	1
74-33476-01	Base, Swivel	4A	1

NOTE

When the description includes "added" or "deleted, ALWAYS refer to the figure parts list for the latest part description.

**INDEX BY DEC PART NUMBER
VT340 VIDEO TERMINAL**

PART NO.	DESCRIPTION	FIG NO.	ITEM NO.
74-33851-01	Logo, "DIGITAL"	3	Not Shown
74-33852-04	Logo, "DIGITAL"	3A	Not Shown
74-34079-01	Nameplate, "VT340"	3	Not Shown
74-34079-03	Nameplate, "VT340plus"	3A	Not Shown
74-34218-01	Shield, EMI Filter	3A	19
74-34218-01	Shield, EMI Filter	3	18
74-34914-01	Bracket, Grounding	3	15
74-34914-01	Bracket, Grounding	3A	15
74-38670-01	Bracket, Power Switch	5A	2
74-39493-01	Chassis, Right	3A	13
74-39870-01	Cap, Power Switch	5A	6
74-40242-01	Cover, Video	3A	Not Shown
74-40244-01	Cover, T/C	3A	17
74-40245-01	Shield, Cable	3A	22
90-00049-24	Screw, Sems Phi Pan Hd No. 6-32 x 5/16	3A	23
90-00049-24	Screw, Sems Phi Pan Hd No. 6-32 x 5/16	3	22
90-00049-24	Screw, Sems Phi Pan Hd No. 6-32 x 5/16	2	2
90-00049-24	Screw, Sems Phi Pan Hd No. 6-32 x 5/16	2A	2
90-06010-01	Screw, Phi Pan Hd No. 4-40 x 5/16	2	3
90-06565-00	Nut, Kep No. 10-32 x 3/8	3A	20
90-06565-00	Nut, Kep No. 10-32 x 3/8	3	19
90-09279-03	Spring Extension	3	6
90-09279-03	Spring, Extension (Ground Cable Restraint)	3A	6
90-09747-01	Support, Circuit Board Locking (deleted)	3	16
90-09747-02	Support, Circuit Board Locking (added)	3	16
90-09800-14	Screw, Phi Pan Hd No. 10-32 x 3/8	3	21
90-09800-15	Screw, Phi Pan Hd No. 10-5/8	3	11
90-09800-15	Screw, Phi Pan Hd No. 10-16 x 5/8	3A	11
90-09996-00	Tie, Cable	5A	5
90-09996-00	Tie, Cable	5	5
90-10196-00	Washer, Flat	3	9
90-10196-00	Washer, Flat	3A	9
90-10792-01	Clip, Cable	3A	5
90-10792-01	Cable Clip	3	5
N/A	VT340 TERMINAL UNIT ASSEMBLY(Modified Design)	1A	N/A
N/A	VT340 TERMINAL UNIT ASSEMBLY(Original Design)	1	N/A
VT340-A2	VT340-A2 110V	1	N/A
VT340-A3	VT340-A3 220V	1	N/A
VT340-A4	VT340-A4 110V	1	N/A
VT340-A5	VT340-A5 220V	1	N/A
VT340-G2	VT340-G2 110V	1A	N/A
VT340-G3	VT340-G3 220V	1A	N/A
VT340-G4	VT340-G4 110V	1A	N/A
VT340-G5	VT340-G5 220V	1A	N/A

NOTE

When the description includes "added" or "deleted, ALWAYS refer to the figure parts list for the latest part description.

**INDEX BY DEC PART DESCRIPTION
VT340 VIDEO TERMINAL**

DESCRIPTION	DEC PART NO.	FIG. NO.	ITEM NO.
Base, Swivel	74-33476-01	4	1
Base, Swivel	74-33476-01	4A	1
Bezel, Front	74-32411-01	3	1
Bezel, Front	74-32411-01	3A	1
BEZEL/CRT/CHASSIS ASSEMBLY (Modified Design)	70-26554-02	3A	N/A
BEZEL/CRT/CHASSIS ASSEMBLY (Modified Design)	70-26554-01	2A	1
BEZEL/CRT/CHASSIS ASSEMBLY (Modified Design)	70-26554-01	3A	N/A
BEZEL/CRT/CHASSIS ASSEMBLY (Modified Design)	70-26554-02	2A	1
BEZEL/CRT/CHASSIS ASSEMBLY (Original Design)	70-23688-02	3	N/A
BEZEL/CRT/CHASSIS ASSEMBLY (Original Design)	70-23688-01	3	N/A
BEZEL/CRT/CHASSIS ASSEMBLY (Original Design)	70-23688-02	2	1
BEZEL/CRT/CHASSIS ASSEMBLY (Original Design)	70-23688-01	2	1
Bracket Assembly, Control	70-22618-02	3A	21
Bracket Assembly, Control	70-22618-02	3	20
Bracket, Grounding	74-34914-01	3A	15
Bracket, Grounding	74-34914-01	3	15
Bracket, Power Switch	74-38670-01	5A	2
Bracket, Power Switch	74-32631-01	5	2
Brake, Swivel	74-32392-01	4	3
Brake, Swivel	74-32392-01	4A	3
Bumper	12-26968-01	4A	2
Bumper	12-26968-01	4	2
Cable Assembly, CRT and Ground Strap	70-26569-01	3A	7
Cable Clip	90-10792-01	3	5
Cable, CRT Ground	70-23735-01	3	23
Cap, Power Switch	74-39870-01	5A	6
Cartridge Assembly, ROM	70-22623-04	2	8
CHASSIS ASSEMBLY	70-23686-01	3	12
CHASSIS ASSEMBLY	70-26561-01	3A	12
Chassis, Left	74-32414-02	3A	14
Chassis, Left	74-32414-01	3	14
Chassis, Right	74-39493-01	3A	13
Chassis, Right	74-32413-01	3	13
Clip, Cable	12-10355-01	3A	16
Clip, Cable	12-21249-04	3	17
Clip, Cable	90-10792-01	3A	5
Coil Assembly, Degauss	70-26563-01	3A	2
Coil Assembly, Degauss	70-23719-01	3	2
Connector, Housing 3 Position (P801)	12-12167-01	5A	1
COVER ASSEMBLY, REAR (Original Design)	70-23687-01	4	N/A
COVER ASSEMBLY, REAR (Original Design)	70-23687-01	2	10
Cover, RS232	74-32401-01	2A	4
Cover, RS232	74-32401-01	2	5
Cover, T/C	74-40244-01	3A	17
Cover, Video	74-40242-01	3A	Not Shown
COVER/BASE ASSEMBLY, REAR (Modified Design)	70-26567-01	4A	N/A
COVER/BASE ASSEMBLY, REAR (Modified Design)	70-26567-01	2A	8
CRT/Yoke Assembly	12-27246-01	3A	4
CRT/Yoke Assembly	12-27246-02	3A	4

NOTE

When the description includes "added" or "deleted", ALWAYS refer to the figure parts list for the latest related part description.

INDEX BY DEC PART DESCRIPTION
VT340 VIDEO TERMINAL

DESCRIPTION	DEC PART NO.	FIG. NO.	ITEM NO.
CRT/Yoke Assembly	12-27246-02	3	4
CRT/Yoke Assembly	12-27246-01	3	4
Filter Assembly	70-23755-02	5	4
Filter, EMI	12-32395-01	5A	4
Ground Strap Assembly	70-23727-01	3	7
INLET/SWITCH ASSEMBLY	70-26546-01	3A	8
INLET/SWITCH ASSEMBLY (Modified Design)	70-26546-01	5A	N/A
INLET/SWITCH ASSEMBLY (Original Design)	70-22620-02	3	8
INLET/SWITCH ASSEMBLY (Original Design)	70-22620-02	5	N/A
Label, "Danger High Voltage"	36-10267-05	3A	18
Label, "Danger High Voltage"	36-10267-00	3	Not Shown
Label, "Regulatory"	36-26330-07	1A	Not Shown
Label, "Regulatory" (added)	36-26330-07	1	Not Shown
Label, "Regulatory" (deleted)	36-26330-05	1	Not Shown
Label, "Serial VT340-A2"	36-26331-13	1	Not Shown
Label, "Serial VT340-A3"	36-26331-14	1	Not Shown
Label, "Serial VT340-A4"	36-26331-15	1	Not Shown
Label, "Serial VT340-A5"	36-26331-16	1	N/A
Label, "Serial VT340-G2"	36-33640-04	1A	Not Shown
Label, "Serial VT340-G3"	36-33640-05	1A	Not Shown
Label, "Serial VT340-G4"	36-33640-06	1A	Not Shown
Label, "Serial VT340-G5"	36-33640-07	1A	Not Shown
LED Assembly	70-20773-01	3	3
LED Assembly	70-20773-01	3A	3
Logo, "DIGITAL"	74-33851-01	3	Not Shown
Logo, "DIGITAL"	74-33852-04	3A	Not Shown
Module, Color Video AMP	54-20130-01	2A	6
Module, Color Video AMP	54-16963-01	2	7
Module, Terminal Control	54-16965-01	2	9
Module, Terminal Control	54-20128-01	2A	7
Nameplate, "VT340"	74-34079-01	3	Not Shown
Nameplate, "VT340plus"	74-34079-03	3A	Not Shown
Nut, Kep No. 10-32 x 3/8	90-06565-00	3	19
Nut, Kep No. 10-32 x 3/8	90-06565-00	3A	20
Panel, Rear	74-33422-01	2	11
Panel, Rear	74-33422-01	2A	9
Pivot, Swivel	74-32557-01	4A	4
Pivot, Swivel	74-32557-01	4	4
PS/Monitor and ARC Protection Assembly	70-26568-01	2A	5
PS/Monitor and ARC Protection Assembly	70-24516-01	2	6
Screen Assembly, Rear Enclosure	70-26566-01	4A	5
Screen Assembly, Rear Enclosure	70-24042-01	4	5
Screw, Hex Hd No. 10-32	12-26951-01	2	4
Screw, Hex Hd No. 10-32	12-26951-01	2A	3
Screw, Phi Pan Hd No. 10-16 x 5/8	90-09800-15	3A	11

NOTE

When the description includes "added" or "deleted", ALWAYS refer to the figure parts list for the latest related part description.

INDEX BY DEC PART DESCRIPTION
VT340 VIDEO TERMINAL

DESCRIPTION	DEC PART NO.	FIG. NO.	ITEM NO.
Screw, Phi Pan Hd No. 10-32 x 3/8	90-09800-14	3	21
Screw, Phi Pan Hd No. 10-5/8	90-09800-15	3	11
Screw, Phi Pan Hd No. 4-40 x 5/16	90-06010-01	2	3
Screw, Self-Tap Phi Hd No. 1/4-20	12-26952-01	4A	7
Screw, Self-Tap Phi Hd No. 1/4-20	12-26952-01	4	7
Screw, Sems Phi Pan Hd No. 6-32 x 5/16	90-00049-24	2	2
Screw, Sems Phi Pan Hd No. 6-32 x 5/16	90-00049-24	2A	2
Screw, Sems Phi Pan Hd No. 6-32 x 5/16	90-00049-24	3A	23
Screw, Sems Phi Pan Hd No. 6-32 x 5/16	90-00049-24	3	22
Shield, Cable	74-40245-01	3A	22
Shield, EMI Filter	74-34218-01	3	18
Shield, EMI Filter	74-34218-01	3A	19
Spring Extension	90-09279-03	3	6
Spring, Extension (Ground Cable Restraint)	90-09279-03	3A	6
Spring, Swivel	12-26967-01	4	6
Spring, Swivel	12-26967-01	4A	6
Support, Circuit Board Locking (added)	90-09747-02	3	16
Support, Circuit Board Locking (deleted)	90-09747-01	3	16
Switch, (S1) Rocker (DPST, 16A 125V/250V)	12-26116-01	5	3
Switch, Rocker (DPST, 16A 125V/250V)	12-33394-01	5A	3
TERMINAL SUB-ASSEMBLY (Modified Design)	70-26553-02	1A	1
TERMINAL SUB-ASSEMBLY (Modified Design)	70-26553-01	2A	N/A
TERMINAL SUB-ASSEMBLY (Modified Design)	70-26553-01	1A	1
TERMINAL SUB-ASSEMBLY (Modified Design)	70-26553-02	2A	N/A
TERMINAL SUB-ASSEMBLY (Original Design)	70-23725-01	1	1
TERMINAL SUB-ASSEMBLY (Original Design)	70-23725-02	2	N/A
TERMINAL SUB-ASSEMBLY (Original Design)	70-23725-02	1	1
TERMINAL SUB-ASSEMBLY (Original Design)	70-23725-01	2	N/A
Tie, Cable	90-09996-00	5A	5
Tie, Cable	90-09996-00	5	5
VT340 TERMINAL UNIT ASSEMBLY (Modified Design)	N/A	1A	N/A
VT340 TERMINAL UNIT ASSEMBLY (Original Design)	N/A	1	N/A
VT340-A2 110V	VT340-A2	1	N/A
VT340-A3 220V	VT340-A3	1	N/A
VT340-A4 110V	VT340-A4	1	N/A
VT340-A5 220V	VT340-A5	1	N/A
VT340-G2 110V	VT340-G2	1A	N/A
VT340-G3 220V	VT340-G3	1A	N/A
VT340-G4 110V	VT340-G4	1A	N/A
VT340-G5 220V	VT340-G5	1A	N/A
Washer, Flat	90-10196-00	3A	9
Washer, Flat	90-10196-00	3	9
Washer, Lock	12-26940-02	3A	10
Washer, Lock (added)	12-28359-01	3	10
Washer, Lock (deleted)	12-26940-01	3	10
Wire Assembly, Power (P801)	70-24292-02	5	1

NOTE

When the description includes "added" or "deleted", ALWAYS refer to the figure parts list for the latest related part description.