

"THE MATERIAL HEREIN IS FOR INFORMATION PURPOSES ONLY AND IS SUBJECT TO CHANGE WITHOUT NOTICE. DIGITAL EQUIPMENT CORPORATION ASSUMES NO RESPONSIBILITY FOR ANY ERRORS WHICH MAY APPEAR HEREIN."

# FIELD MAINTENANCE PRINT SET

"THIS DRAWING AND SPECIFICATIONS, HEREIN, ARE THE PROPERTY OF DIGITAL EQUIPMENT CORPORATION AND SHALL NOT BE REPRODUCED OR COPIED OR USED IN WHOLE OR IN PART AS THE BASIS FOR THE MANUFACTURE OR SALE OF ITEMS WITHOUT WRITTEN PERMISSION. COPYRIGHT © 1976, DIGITAL EQUIPMENT CORPORATION."

## TABLE OF CONTENTS

CABINET, SINGLE HIROY  
 FRAME ASSY, SINGLE HIROY  
 PARTS LIST  
 OPTION ARRANGEMENT  
 SHIPPING LIST/KIT

A-PL-H95Ø2-Ø-Ø  
 E-AD-7011588-Ø-Ø  
 A-PL-7011588-Ø-Ø  
 E-AR-H95Ø2-Ø-Ø  
 A-PL-H95Ø2-Ø-2

UNIT VARIATIONS COVERED BY THIS PRINT SET
H95Ø2-A
H95Ø2-B
H95Ø2-C
H95Ø2-D
H95Ø2-E
H95Ø2-F
H95Ø2-G
H95Ø2-H
H95Ø2-J
H95Ø2-K
H95Ø2-L
H95Ø2-M

**H95Ø2**  
**Field Maintenance**  
**Print Set**

**Digital Equipment**  
**Corporation**  
 PRINT SET ORDER NO.  
 MPØØØ6Ø

EN-01124-16-N676-(327)

REVISIONS				USED ON OPTION/MODEL	DRN	DATE	TITLE:	digital
DATE	CHG. NO.	REV.						
9-76	H9502-1	A			D. P. [Signature]	10/24/76	CABINET, SINGLE HIROY	SIZE B    CODE TC    NUMBER H95Ø2-Ø-1    REV. 0
2-77	H9502-2	B			D. P. [Signature]	2/18/77		
6-77	H95Ø2-3	C			P. Uson	Ø7/11/7Ø		
5-78	H95Ø2-7	D			But [Signature]	Ø9/ØØ/7Ø		
				SHEET 1 OF 1				

DIGITAL EQUIPMENT CORPORATION  
MAYNARD, MASSACHUSETTS  
**PARTS LIST**

MADE BY A. Rocha  
DATE 7 May 76  
ENG Rick Olson  
DATE 7 May 76  
CHECKED Rick Olson  
DATE 7 May 76  
PROD V.E. Adamez  
DATE 26 May 76  
SECTION  
ISSUED SECT.

ITEM NO.	DWG NO. / PART NO.	DESCRIPTION	QUANTITY / VARIATION
23	E-AD-7011588-7-0	FRAME, ASSY SINGLE HIROY	-
24	A-PL-H9504-ZA	KIT, INTERLOCK ASSY	A/RA/RA/R A/RA/RA/RA/RA/RA/RA/RA/R
25	A-PL-H9504-WD	PANEL, VERTICAL BLANK (LONG)	-
26	A-PL-H9504-XC	END PANEL, FILLER	A/RA/RA/RA/RA/RA/RA/RA/RA/RA/RA/R
27	A-PL-H9504-CA	DUCT, AIR	A/RA/RA/RA/RA/RA/RA/RA/RA/RA/RA/R
28	1213092-00	TROUGH, CABLE	A/RA/RA/RA/RA/RA/RA/RA/RA/RA/RA/R
29	A-SP-H9500-0-3	CABINET, SPECIFICATION	REF REFREFREF REFREFREF REF
30	E-AD-7011588-8-0	FRAME, ASSY SINGLE HIROY	-
31	E-AD-7011588-9-0	FRAME, ASSY SINGLE HIROY	-
32	E-AD-7011588-10	FRAME, ASSY SINGLE WIDTH HIROY	-
33	E-AD-7011588-11	FRAME, ASSY SINGLE WIDTH HIROY	-

TITLE OPTION ARRANGEMENT

SIZE CODE A PL H9502-0-0  
ASSY NO. E-AR-H9502-0-0  
H9502-0-0  
SHEET 2 OF 2  
NUMBER H9502-0-0  
REV. ECO NO. H9502-00008  
H

DEC FORM DEC 16-(325)-1031-N870  
DRA 110

DIGITAL EQUIPMENT CORPORATION  
MAYNARD, MASSACHUSETTS  
**PARTS LIST**

MADE BY A. Rocha  
DATE 7 MAY 76  
ENG Rick Olson  
DATE 7 May 76  
CHECKED Rick Olson  
DATE 7 May 76  
PROD V.E. Adamez  
DATE 26 May 76  
SECTION  
ISSUED SECT.

ITEM NO.	DWG NO. / PART NO.	DESCRIPTION	QUANTITY / VARIATION
<del>1</del>	<del>A-PL-H9504-0-0</del>	<del>FRAME, ASSY SINGLE HIROY</del>	<del>A/RA/RA/RA/RA/RA/RA/RA/RA/RA/RA/R</del>
2	A-PL-H9504-CA	END PANEL ASSY (HIROY)	A/RA/RA/RA/RA/RA/RA/RA/RA/RA/RA/R
3	A-PL-H9504-MA	TOP COVER ASSY (SINGLE WIDTH)	V/RA/RA/RA/RA/RA/RA/RA/RA/RA/RA/R
4	A-PL-H9504-PA	FRONT COVER ASSY (SINGLE WIDTH)	V/RA/RA/RA/RA/RA/RA/RA/RA/RA/RA/R
5	A-PL-H9504-SA	BEZEL 5 1/4" CASTING	V/RA/RA/RA/RA/RA/RA/RA/RA/RA/RA/R
6	A-PL-H9504-UA	BEZEL 10 1/2" CASTING	V/RA/RA/RA/RA/RA/RA/RA/RA/RA/RA/R
7	A-PL-H9504-KA	REP.R DOOR ASSY (HIROY)	V/RA/RA/RA/RA/RA/RA/RA/RA/RA/RA/R
8	A-PL-H9504-WC	PANEL VERTICAL BLANK (LONG)	V/RA/RA/RA/RA/RA/RA/RA/RA/RA/RA/R
9	A-PL-H9504-YA	TRIM STRIP	V/RA/RA/RA/RA/RA/RA/RA/RA/RA/RA/R
10	A-PL-H9504-XA	FILLER STRIP (INTER CAB)	V/RA/RA/RA/RA/RA/RA/RA/RA/RA/RA/R
11	9009453-00	SCR, #8-308-00-1/4-30	V/RA/RA/RA/RA/RA/RA/RA/RA/RA/RA/R
12	9008203-00	NUT 1/4-20 (GREEN)	V/RA/RA/RA/RA/RA/RA/RA/RA/RA/RA/R
13	9008203-01	SHIPPING LIST/KIT	5 5 5 5 5 5 5 5 A/RA/E 5 5
15	A-PL-H9502-0-2	FRAME ASSY SINGLE HIROY	1 1 1 1 1 1 1 1 A/RA/E 1 1
16	E-AD-7011588-0-0	FRAME ASSY SINGLE HIROY	1 - - - - - - - - - - - - -
17	E-AD-7011588-1-0	FRAME ASSY SINGLE HIROY	- 1 - - - - - - - - - - - - -
18	E-AD-7011588-2-0	FRAME ASSY SINGLE HIROY	- - 1 - - - - - - - - - - - - -
19	E-AD-7011588-3-0	FRAME ASSY SINGLE HIROY	- - - 1 - - - - - - - - - - - - -
20	E-AD-7011588-4-0	FRAME ASSY SINGLE HIROY	- - - - 1 - - - - - - - - - - - - -
21	E-AD-7011588-5-0	FRAME ASSY SINGLE HIROY	- - - - - 1 - - - - - - - - - - - - -
22	E-AD-7011588-6-0	FRAME ASSY SINGLE HIROY	- - - - - - 1 - - - - - - - - - - - - -

TITLE OPTION ARRANGEMENT

SIZE CODE A PL H9502-0-0  
ASSY NO. E-AR-H9502-0-0  
H9502-0-0  
SHEET 1 OF 2  
NUMBER H9502-0-0  
REV. ECO NO. H9502-00008  
H

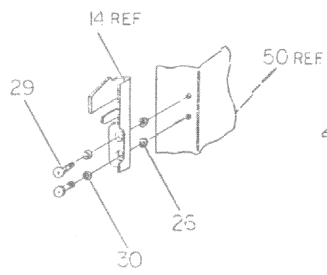
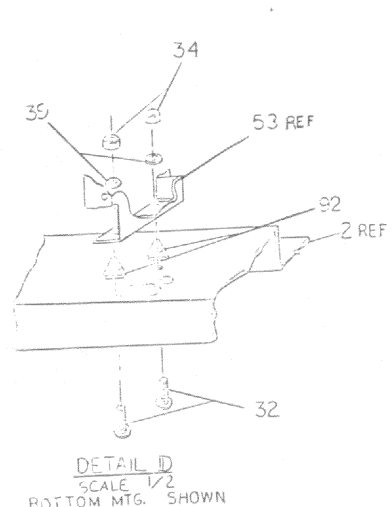
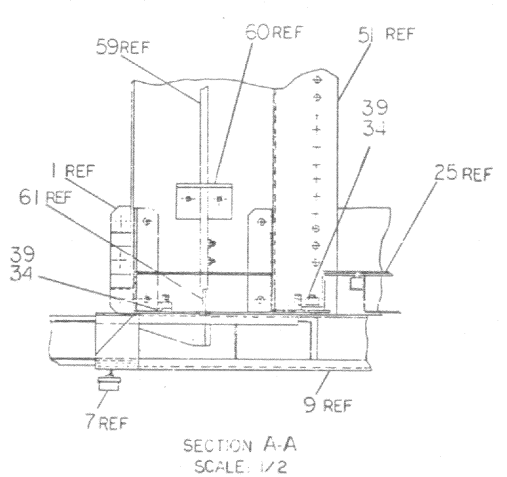
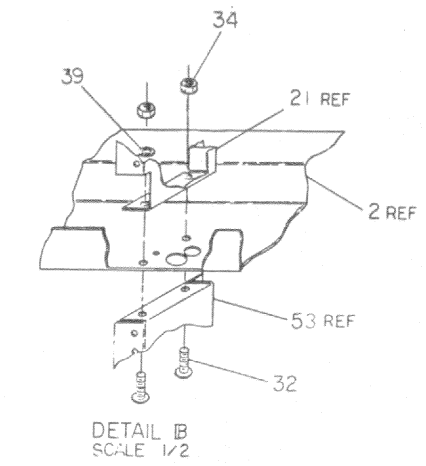
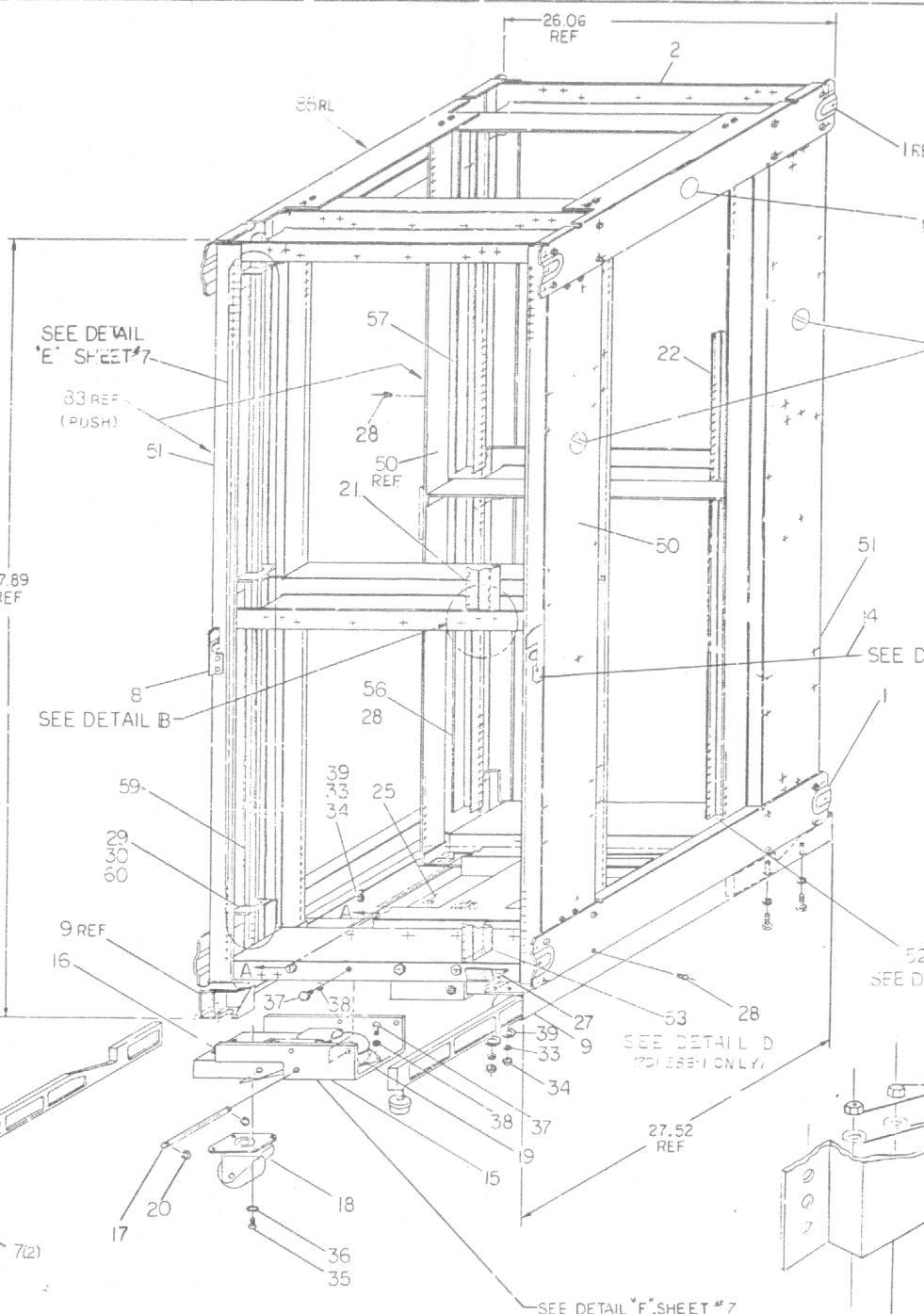
DEC FORM DEC 16-(325)-1031-N870  
DRA 110

M/L

THIS DRAWING AND SPECIFICATIONS HEREAFTER, ARE THE PROPERTY OF FEDERAL EQUIPMENT CORPORATION AND SHALL REMAIN THE PROPERTY OF FEDERAL EQUIPMENT CORPORATION IN WHOLE OR IN PART. NO PART OF THIS DRAWING OR SPECIFICATIONS SHALL BE REPRODUCED, COPIED, OR TRANSMITTED IN ANY FORM OR BY ANY MEANS, ELECTRONIC OR MECHANICAL, INCLUDING PHOTOCOPYING, RECORDING, OR BY ANY INFORMATION STORAGE AND RETRIEVAL SYSTEM. FEDERAL EQUIPMENT CORPORATION

J  
H  
F  
E  
D  
B  
A

**NOTES:**  
~~1. DIMENSIONS SHOWN IN PARENTHESES ARE FOR REFERENCE ONLY.~~  
~~2. WHEEL LOCK ASSEMBLY MUST BE INSTALLED ON SAME SIDE AS ITEM B.S. AS SHOWN.~~  
 2. WHEEL LOCK ASSEMBLY MUST BE INSTALLED ON SAME SIDE AS ITEM B.S. AS SHOWN.  
 3. INSTALL 2" OF EACH ITEM 33, 84 AND 32 AS SHOWN. ATTACH ENVELOPE WITH (2) OF EACH ITEM TO FRAME FOR SKIN ASSEMBLY FACTORY.



84 (DO NOT PUSH)  
 53 (OPPOSITE VERTICALS)

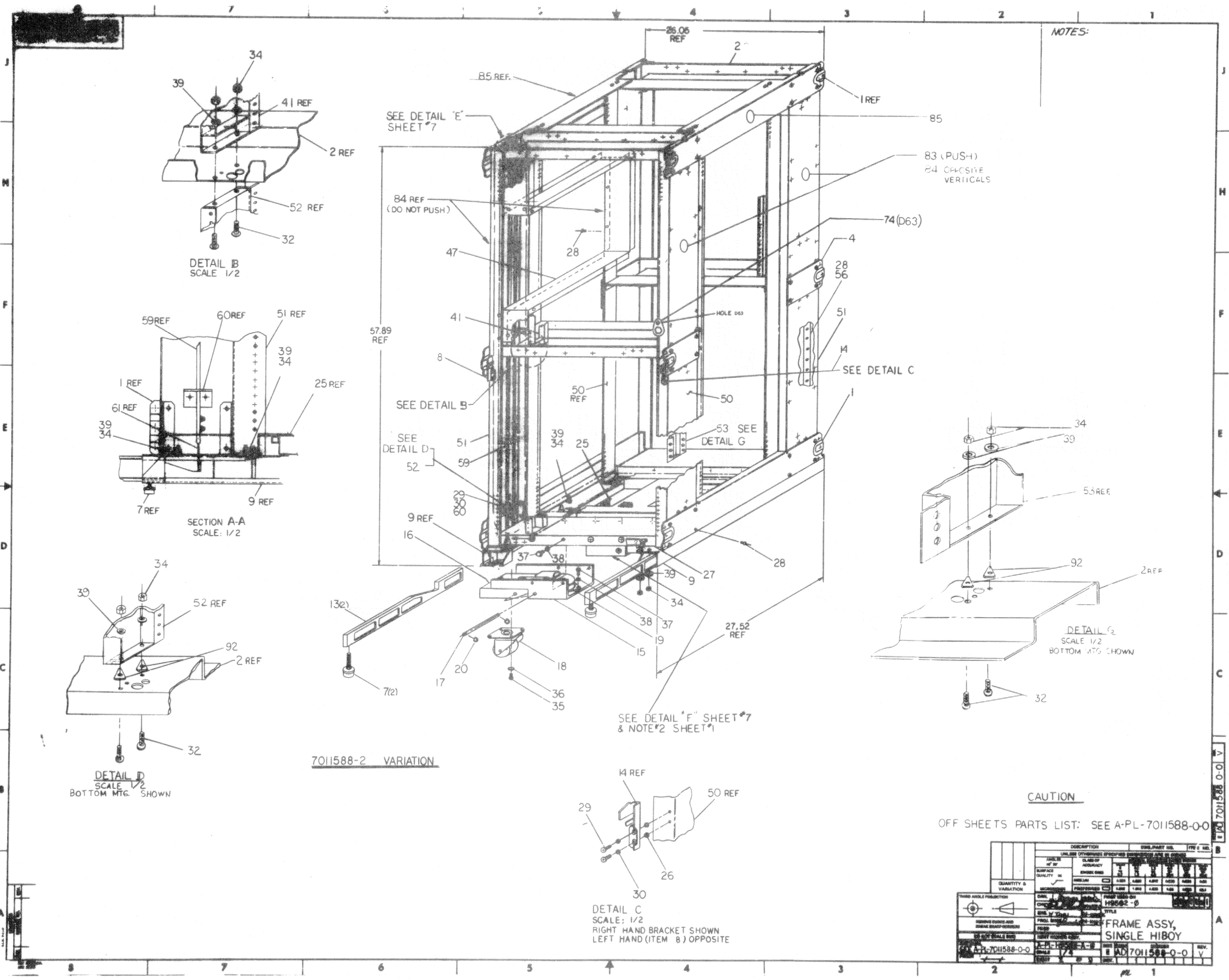
VARIATION	DESCRIPTION	FIRST USED ON
7011588-00	SINGLE HIBOY FRAME CASTERS, LEVELERS & STABILIZER	H9502-A
7011588-01	SINGLE HIBOY W/PROVISION FOR SLIDE MOUNT IN LOWER HALF	H9502-B
7011588-02	SINGLE WIDTH HIBOY W/PROVISIONS FOR MOUNTING TUBS	H9502-C
7011588-03	SINGLE WIDTH HIBOY W/FULL LENGTH VERT. MTG. RAILS W/H9504-P	H9502-D
7011588-04	SINGLE WIDTH HIBOY W/FULL LENGTH VERT. MTG. RAILS-NO H9504-P HARDWARE	H9502-E
7011588-05	SINGLE WIDTH HIBOY W/FULL LENGTH VERT. MTG. RAILS W/H9504-P HARDWARE	H9502-F
7011588-06	SINGLE WIDTH HIBOY W/FULL LENGTH REAR CENT. VERT. & 2 CENT. HORIZONTALS	H9502-G
7011588-07	SINGLE WIDTH HIBOY W/FULL LENGTH REAR CENT. VERT. & 2 CENT. HORIZONTALS WITH NO CENTER VERTICALS OR INTERLOCKS	H9502-H
7011588-08	SINGLE WIDTH HIBOY WITH NO CENTER VERTICALS OR INTERLOCKS	H9502-J
7011588-09	-----	H9502-K
7011588-10	7011588-00 PLUS B61/B66 MTG BRKT. AND H7420 MTG BRKT.	H9502-L
7011588-11	SAME AS-10 EXCEPT NO FRONT CENTER VERTICAL IN LOWER HALF & PG BRACKET	H9602-PC
7011588-12	SAME AS-03 EXCEPT NO BOLTING PLATES	H9602-D

CAUTION: USE OF THIS CABINET REQUIRES THAT PROPER PRECAUTION BE TAKEN TO PREVENT A TIPPING HAZARD DURING MOVEMENT. EQUIPMENT MUST BE ARRANGED AS TO MINIMIZE THIS CONDITION. ADDITION OF COUNTER WEIGHT (H921442) AND MTG. BRACKET (H947608) MAY BE NECESSARY. SPECIFIC QTY AND LOCATION TO BE SPECIFIED ON SYSTEMS LEVEL DRAWINGS.  
 CAUTION: SHEET PARTS LIST SEE X-PL-7011588-0-0

7011588-0  
 7011588-1  
 ONLY

NO.	DESCRIPTION	QTY	UNIT	REF.
1	...	...	...	...
2	...	...	...	...
3	...	...	...	...
4	...	...	...	...
5	...	...	...	...
6	...	...	...	...
7	...	...	...	...
8	...	...	...	...
9	...	...	...	...
10	...	...	...	...
11	...	...	...	...
12	...	...	...	...
13	...	...	...	...
14	...	...	...	...
15	...	...	...	...
16	...	...	...	...
17	...	...	...	...
18	...	...	...	...
19	...	...	...	...
20	...	...	...	...
21	...	...	...	...
22	...	...	...	...
23	...	...	...	...
24	...	...	...	...
25	...	...	...	...
26	...	...	...	...
27	...	...	...	...
28	...	...	...	...
29	...	...	...	...
30	...	...	...	...
31	...	...	...	...
32	...	...	...	...
33	...	...	...	...
34	...	...	...	...
35	...	...	...	...
36	...	...	...	...
37	...	...	...	...
38	...	...	...	...
39	...	...	...	...
40	...	...	...	...
41	...	...	...	...
42	...	...	...	...
43	...	...	...	...
44	...	...	...	...
45	...	...	...	...
46	...	...	...	...
47	...	...	...	...
48	...	...	...	...
49	...	...	...	...
50	...	...	...	...
51	...	...	...	...
52	...	...	...	...
53	...	...	...	...
54	...	...	...	...
55	...	...	...	...
56	...	...	...	...
57	...	...	...	...
58	...	...	...	...
59	...	...	...	...
60	...	...	...	...
61	...	...	...	...
62	...	...	...	...
63	...	...	...	...
64	...	...	...	...
65	...	...	...	...
66	...	...	...	...
67	...	...	...	...
68	...	...	...	...
69	...	...	...	...
70	...	...	...	...
71	...	...	...	...
72	...	...	...	...

DESCRIPTION		DWG. PART NO.	ITEM NO.
UNLESS OTHERWISE SPECIFIED DIMENSIONS ARE IN INCHES			
ANGLES	CLASS. BY	1-24	1-24
SURFACE QUALITY	CHECK ONE	AS MANUFACTURED	AS MANUFACTURED
QUANTITY & VARIATION	PREFERRED	1-000	1-000
FIRST USED ON		H9502-0	Initial
TITLE: FRAME ASSY, SINGLE HIBOY			
E AD 7011588-0-0 V			



NOTES:

DETAIL B  
SCALE 1/2

SECTION A-A  
SCALE: 1/2

DETAIL D  
SCALE 1/2  
BOTTOM MTG. SHOWN

DETAIL G  
SCALE 1/2  
BOTTOM MTG. SHOWN

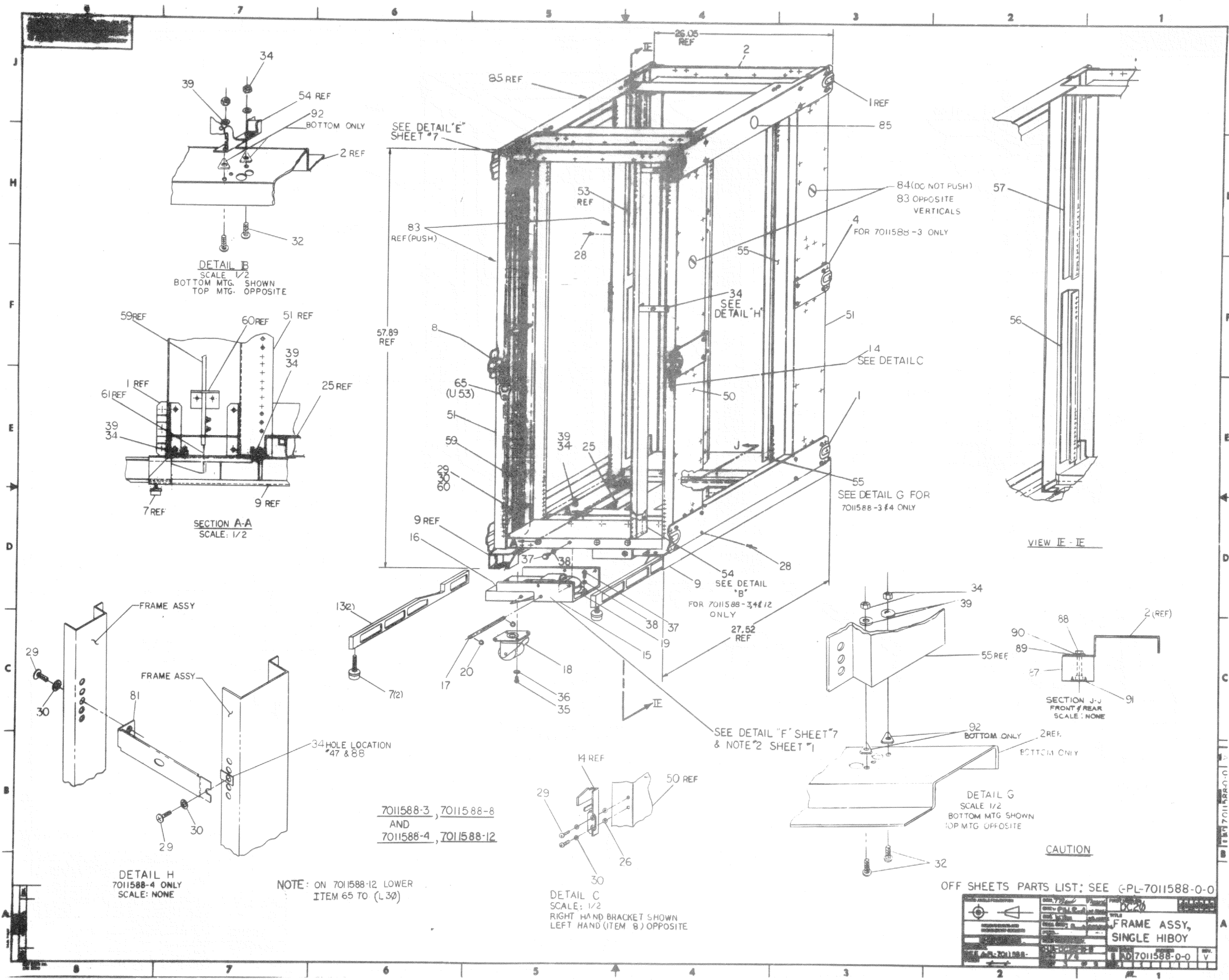
DETAIL C  
SCALE: 1/2  
RIGHT HAND BRACKET SHOWN  
LEFT HAND (ITEM 8) OPPOSITE

7011588-2 VARIATION

CAUTION  
OFF SHEETS PARTS LIST: SEE A-PL-7011588-0-0

DESCRIPTION		QTY	PART NO.	REV.
UNLESS OTHERWISE SPECIFIED DIMENSIONS ARE IN INCHES				
FINISH	CLASS OF ACCURACY	FINISH	FINISH	FINISH
QUANTITY & VARIATION	PROCESSED	PROCESSED	PROCESSED	PROCESSED
DRAWN BY: [Signature]				
CHECKED BY: [Signature]				
DATE: [Date]				
TITLE: FRAME ASSY, SINGLE HIBOY				
PART NO.: 7011588-0-0				
REV. 1				

7011588-0-0 V



**DETAIL B**  
SCALE: 1/2  
BOTTOM MTG. SHOWN  
TOP MTG. OPPOSITE

**SECTION A-A**  
SCALE: 1/2

**DETAIL H**  
7011588-4 ONLY  
SCALE: NONE

**DETAIL C**  
SCALE: 1/2  
RIGHT HAND BRACKET SHOWN  
LEFT HAND (ITEM 8) OPPOSITE

**DETAIL G**  
SCALE 1/2  
BOTTOM MTG SHOWN  
TOP MTG OPPOSITE

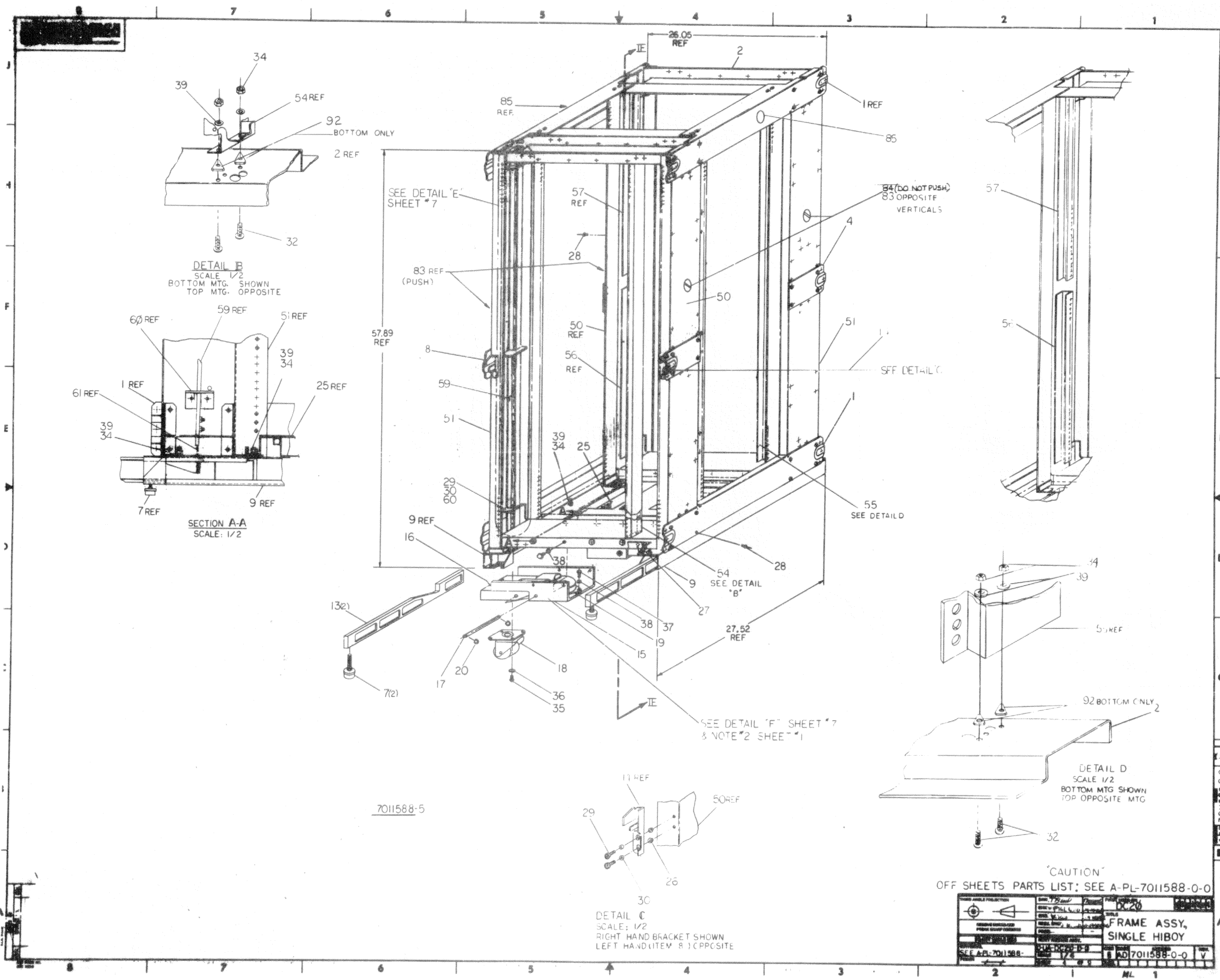
**CAUTION**

7011588-3, 7011588-8  
AND  
7011588-4, 7011588-12

**NOTE:** ON 7011588-12 LOWER  
ITEM 65 TO (L30)

OFF SHEETS PARTS LIST: SEE CPL-7011588-0-0

REV	DATE	DESCRIPTION	BY	CHKD
1				
<b>FRAME ASSY, SINGLE HIBOY</b>				
7011588-0-0				



DETAIL B  
SCALE 1/2  
BOTTOM MTG. SHOWN  
TOP MTG. OPPOSITE

SECTION A-A  
SCALE: 1/2

DETAIL D  
SCALE 1/2  
BOTTOM MTG SHOWN  
TOP OPPOSITE MTG

DETAIL C  
SCALE: 1/2  
RIGHT HAND BRACKET SHOWN  
LEFT HAND (ITEM 8) OPPOSITE

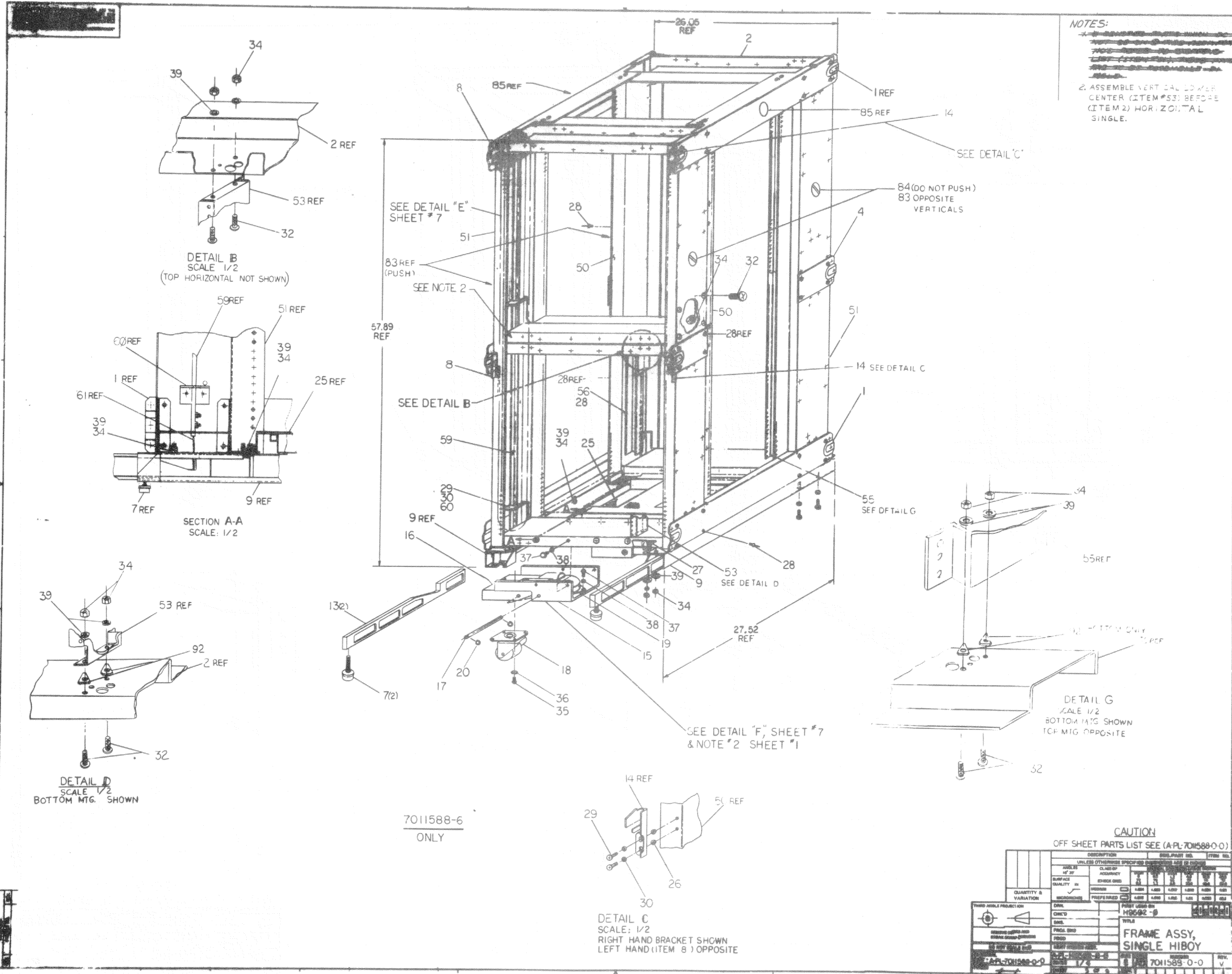
7011588-5

CAUTION  
OFF SHEETS PARTS LIST: SEE A-PL-7011588-0-0

7011588-5 SCALE 1/2 A-PL-7011588-0-0	7011588-5 SCALE 1/2 A-PL-7011588-0-0	7011588-5 SCALE 1/2 A-PL-7011588-0-0	7011588-5 SCALE 1/2 A-PL-7011588-0-0	7011588-5 SCALE 1/2 A-PL-7011588-0-0	7011588-5 SCALE 1/2 A-PL-7011588-0-0	7011588-5 SCALE 1/2 A-PL-7011588-0-0	7011588-5 SCALE 1/2 A-PL-7011588-0-0	7011588-5 SCALE 1/2 A-PL-7011588-0-0	7011588-5 SCALE 1/2 A-PL-7011588-0-0

FRAME ASSY,  
SINGLE HIBOY

ML 1



**NOTES:**  
~~1. ASSEMBLE VERTICAL LOWER CENTER (ITEM #53) BEFORE (ITEM 2) HORIZONTAL SINGLE.~~  
 2. ASSEMBLE VERTICAL LOWER CENTER (ITEM #53) BEFORE (ITEM 2) HORIZONTAL SINGLE.

7011588-6  
 ONLY

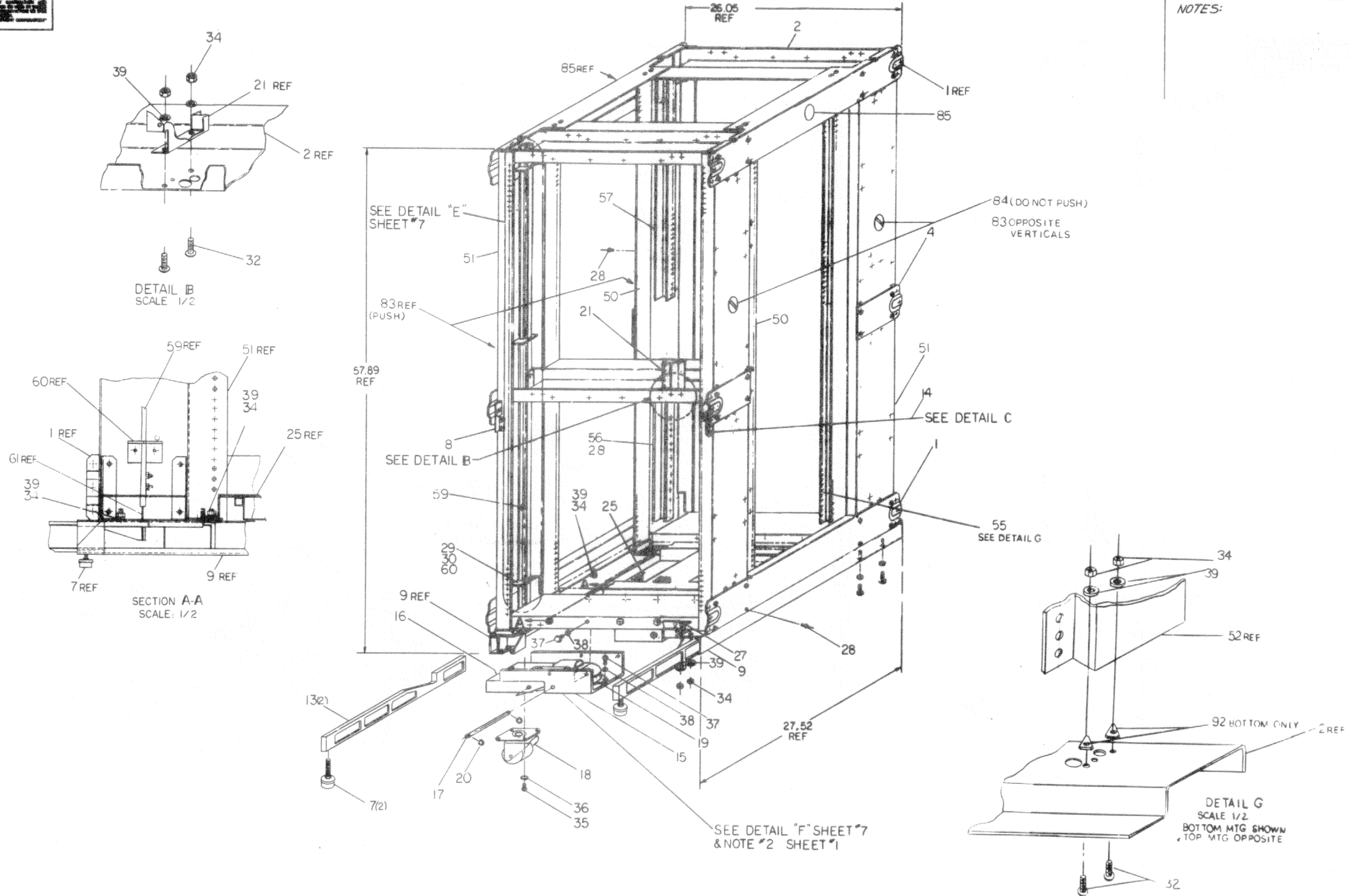
**CAUTION**  
 OFF SHEET PARTS LIST SEE (A-PL-7011588-0-0)

DESCRIPTION	QUANTITY	UNIT	REVISION
FRAME ASSY, SINGLE HIBOY	1	ASSEMBLY	1

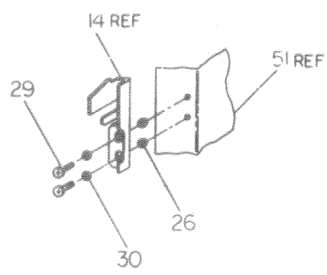
DESIGNED BY: [ ]  
 CHECKED BY: [ ]  
 DATE: [ ]  
 DRAWING NO: 7011588-0-0  
 PART NO: 7011588-0-0  
 SCALE: 1/2  
 TITLE: FRAME ASSY, SINGLE HIBOY  
 PART USED BY: H3092-0  
 REV: V

ALL DIMENSIONS UNLESS OTHERWISE SPECIFIED ARE IN INCHES AND DECIMALS THEREOF.

NOTES:



7011588-7  
ONLY

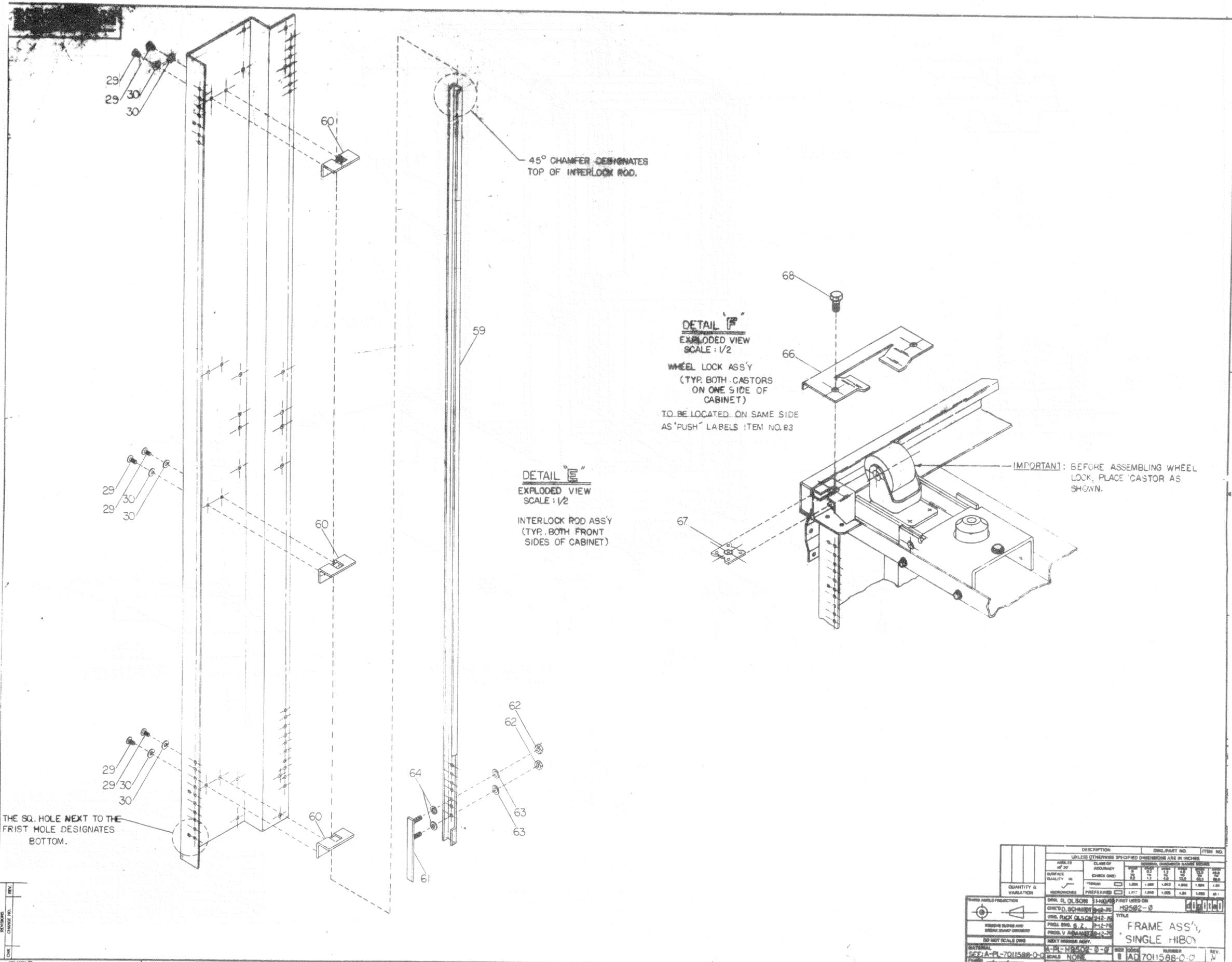


DETAIL C  
SCALE: 1/2  
RIGHT HAND BRACKET SHOWN  
LEFT HAND (ITEM 8) OPPOSITE

**CAUTION**  
OFF SHEET PARTS LIST SEE (A-PL 7011588-0-0)

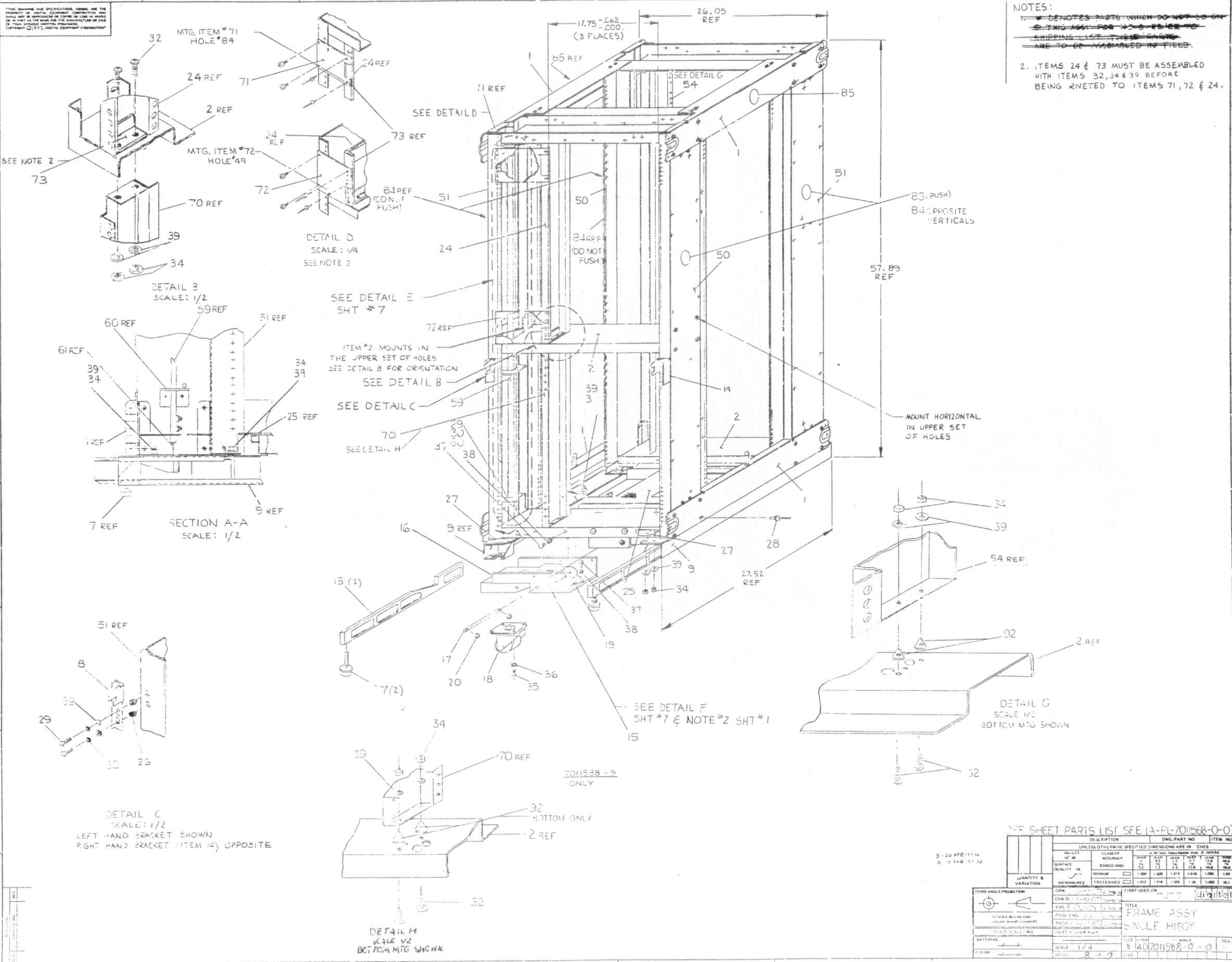
QTY	DESCRIPTION	REF ID	REV
1	FRAME ASSY, SINGLE HIBOY	7011588-0-0	1





DESCRIPTION		DIM. PART NO.		ITEM NO.	
UNLESS OTHERWISE SPECIFIED DIMENSIONS ARE IN INCHES					
ANGLE	CLASS OF FINISH	STANDARD DIMENSION	LARGE DIM.	STANDARD DIMENSION	LARGE DIM.
30	1	1/2	1/2	1/2	1/2
SURFACE QUALITY	FINISH	1.000	1.000	1.000	1.000
QUANTITY & VARIATION	PREPARED	1.000	1.000	1.000	1.000
DRAWN: R. OLSON CHECKED: R. OLSON DATE: 1-15-76 PROJECT: 7011588-0-0					
TITLE		FRAME ASS'Y, SINGLE HIBOY			
SCALE		NONE			
REV.		REV. 1			

THIS DRAWING AND SPECIFICATIONS, HEREIN, ARE THE PROPERTY OF THE UNITED STATES GOVERNMENT AND SHALL NOT BE REPRODUCED OR COPIED IN WHOLE OR IN PART BY ANY OTHER PERSON OR ORGANIZATION WITHOUT EXPRESS WRITTEN PERMISSION THEREOF.



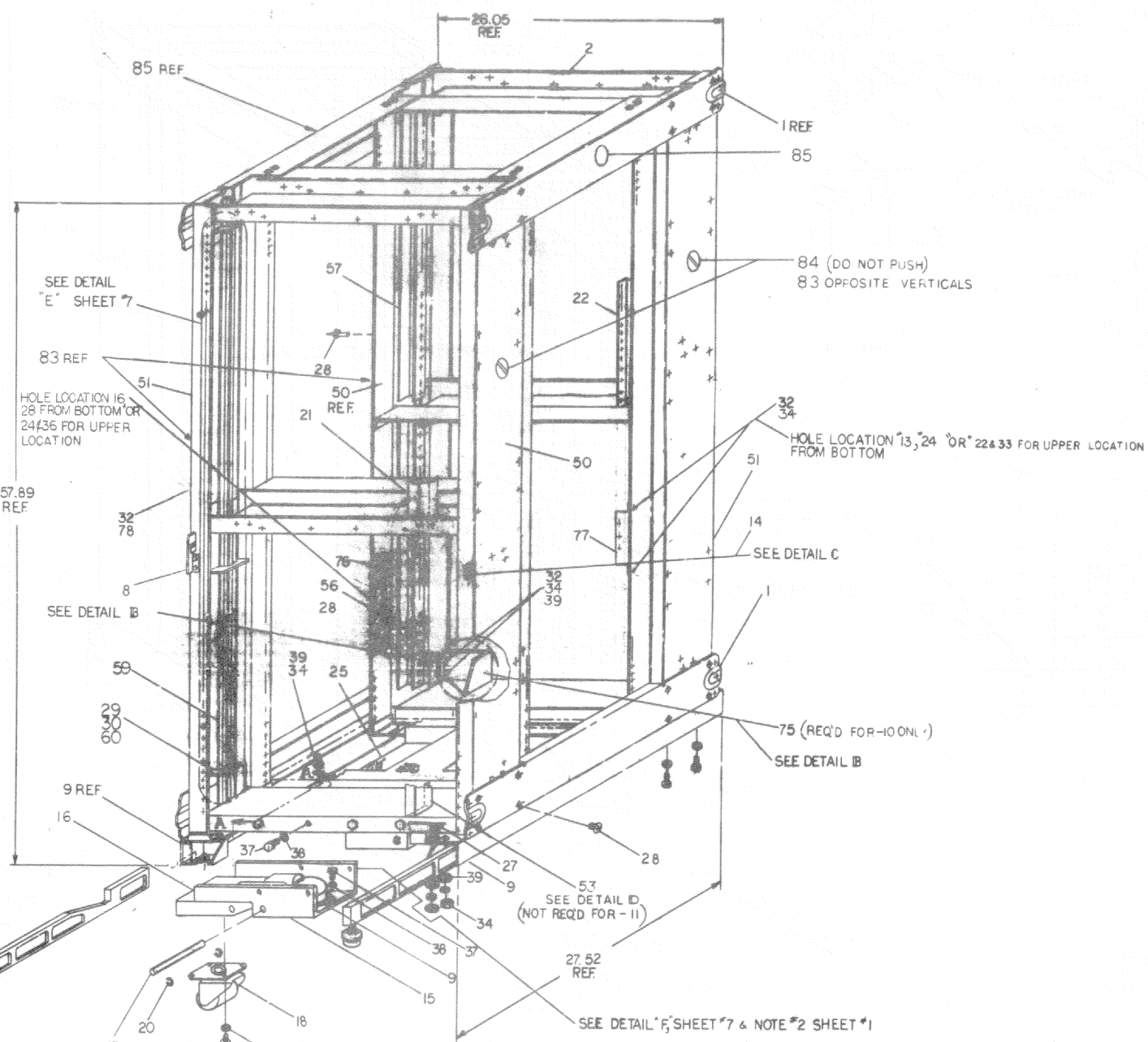
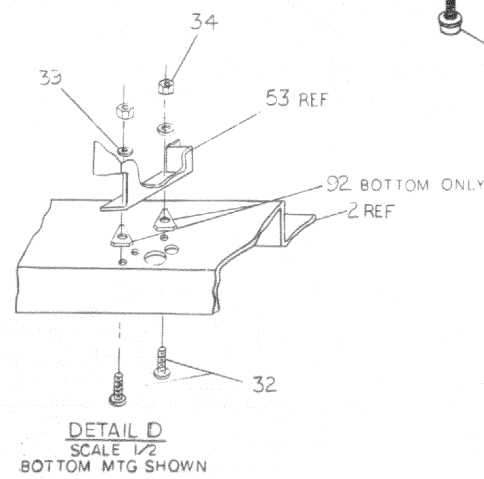
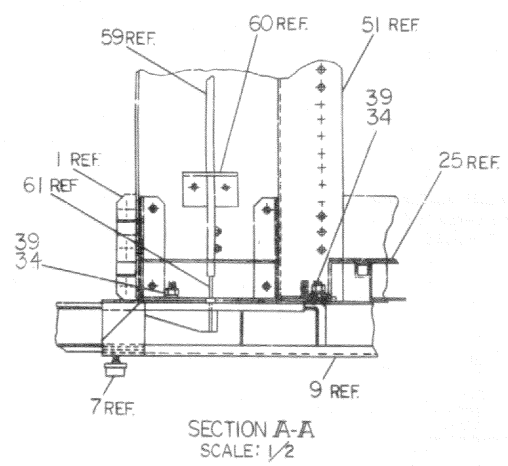
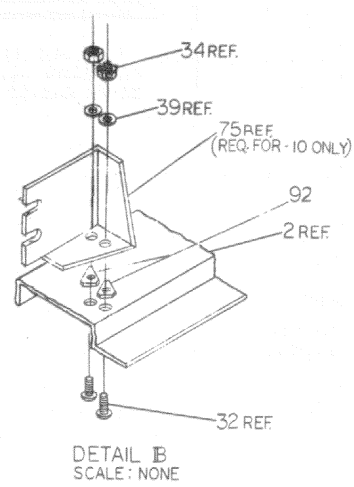
NOTES:  
 1. \* DENOTES PARTS WHICH DO NOT GO ON THIS ASSY FOR NOW BUT TO CHIPPING LIST THESE PARTS ARE TO BE ASSEMBLED IN FIELD.  
 2. ITEMS 24 & 73 MUST BE ASSEMBLED WITH ITEMS 32, 34 & 39 BEFORE BEING RIVETED TO ITEMS 71, 72 & 24.

OFF SHEET PARTS LIST SEE (A-PL-7011588-0-0)

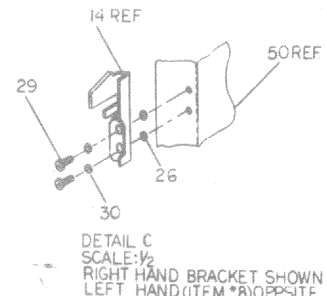
NO.	DESCRIPTION	QTY	DIM. PART NO.	ITEM NO.	UNLESS OTHERWISE SPECIFIED DIMENSIONS ARE IN INCHES				
					AS-BUILT	CLASS OF ACCURACY	SURFACE QUALITY	FINISH	QUANTITY & VARIATION
1	FRAME ASSY	1			1	2	3	4	5
2	SINGLE HIROY	1			1	2	3	4	5

3-10 APR-77 N  
 0-15 APR-77 N

THIRD ANGLE PROJECTION  
 DRN: [Signature]  
 ENGR: [Signature]  
 TITLE: FRAME ASSY SINGLE HIROY  
 SCALE: 1/4  
 SHEET: 8 OF 9



7011588-10 & -11 ONLY



REVISIONS	
CHK	CHANGE NO.

THIS DRAWING AND SPECIFICATIONS, HEREIN ARE THE PROPERTY OF DIGITAL EQUIPMENT CORPORATION AND SHALL NOT BE REPRODUCED OR COPIED OR USED IN WHOLE OR IN PART AS THE BASIS FOR THE MANUFACTURE OR SALE OF ITEMS WITHOUT WRITTEN PERMISSION. COPYRIGHT © 1979, DIGITAL EQUIPMENT CORPORATION

ITEM NO.	DWG NO./PART NO.	DESCRIPTION	-00	-01	-02	-03	-04	-05	-06	-07	-08	-09	-10	-11	-12
1	D-IA-7413635-β-β	LATERAL	4	4	4	4	4	4	4	4	4	4	4	4	4
2	E-IA-7413636-β-β	HORIZONTAL, SINGLE	6	6	6	4	4	4	6	5	4	5	6	6	4
3	<del>E-IB-7413643-β-β</del>	<del>VERTICAL, STRONG</del>	<del>4</del>	<del>4</del>	<del>4</del>	<del>4</del>	<del>4</del>	<del>4</del>	<del>4</del>	<del>4</del>	<del>4</del>	<del>4</del>	<del>4</del>	<del>4</del>	<del>4</del>
4	C-IA-741414β-β-β	PLATE, BOLTING	-	-	4	4	-	4	4	4	-	-	-	-	-
5	<del>D-MD-7413639-β-β</del>	<del>POST, REAR MOUNTING</del>	<del>1</del>	<del>1</del>	<del>1</del>	<del>1</del>	<del>1</del>	<del>1</del>	<del>1</del>	<del>1</del>	<del>1</del>	<del>1</del>	<del>1</del>	<del>1</del>	<del>1</del>
6	<del>D-MD-7413639-β-β</del>	<del>POST, REAR MOUNTING</del>	<del>1</del>	<del>1</del>	<del>1</del>	<del>1</del>	<del>1</del>	<del>1</del>	<del>1</del>	<del>1</del>	<del>1</del>	<del>1</del>	<del>1</del>	<del>1</del>	<del>1</del>
7	900022-01	LEVELER FOOT - CUSHION 1/2 - 13	2	2	2	2	2	2	2	2	-	2	2	2	3
8	D-MD-7414839-β-β	BRACKET, CATCH L.H.	1	1	1	-	1	1	1	1	-	1	1	1	-
9	E-IA-7011284-β-β	STABILIZER SLEEVE ASSEMBLY	2	2	2	2	2	2	2	2	2	2	2	2	2
10	<del>C-IA-7414143-β-β</del>	<del>BRACKET, GUIDE</del>	<del>5</del>	<del>5</del>	<del>5</del>	<del>5</del>	<del>5</del>	<del>5</del>	<del>5</del>	<del>5</del>	<del>5</del>	<del>5</del>	<del>5</del>	<del>5</del>	<del>5</del>
11	<del>B-MD-7416168-β-β</del>	<del>ROD INTERLOCK</del>	<del>2</del>	<del>2</del>	<del>2</del>	<del>2</del>	<del>2</del>	<del>2</del>	<del>2</del>	<del>2</del>	<del>2</del>	<del>2</del>	<del>2</del>	<del>2</del>	<del>2</del>
12	<del>D-IA-7416195-β-β</del>	<del>BRACKET INTERLOCK</del>	<del>2</del>	<del>2</del>	<del>2</del>	<del>2</del>	<del>2</del>	<del>2</del>	<del>2</del>	<del>2</del>	<del>2</del>	<del>2</del>	<del>2</del>	<del>2</del>	<del>2</del>
13	E-MD-7414887-β-β	ARM, STABILIZER	2	2	2	2	2	2	2	2	-	2	2	2	2
14	D-MD-7414839-1-β	BRACKET, CATCH R.H.	1	1	1	-	1	1	1	1	-	1	1	1	-
15	D-MD-741489β-1-β	BRACKET, HANGER	4	4	4	4	4	4	4	4	4	4	4	4	4
16	D-IA-7811294-β-β	PIVOT ARM, ISOLATOR	4	4	4	4	4	4	4	4	4	4	4	4	4
17	C-MD-7413998-β-β	PIN, PIVOT	4	4	4	4	4	4	4	4	4	4	4	4	4
18	1205835-01	CASTER	4	4	4	4	4	4	4	4	4	4	4	4	4
19	1212503-00	ISOLATOR, SHOCK	4	4	4	4	4	4	4	4	4	4	4	4	4
20	9009580-02	RING, EXTERNAL RETAINING	8	8	8	8	8	8	8	8	8	8	8	8	8
21	D-MD-7413638-β-β	VERTICAL, CENTER (HIBOY) R.H.	1	1	-	-	-	-	1	-	-	1	1	-	-
22	D-MD-7413638-1-β	VERTICAL, CENTER (HIBOY) L.H.	1	1	1	-	-	-	-	-	-	1	1	-	-
23	<del>D-MD-7413637-β-β</del>	<del>VERTICAL, LOWER CENTER</del>	<del>1</del>	<del>1</del>	<del>1</del>	<del>1</del>	<del>1</del>	<del>1</del>	<del>1</del>	<del>1</del>	<del>1</del>	<del>1</del>	<del>1</del>	<del>1</del>	<del>1</del>
24	D-MD-7413637-1-β	VERTICAL, LOWER CENTER	-	-	-	-	-	-	-	-	-	1	-	-	-
25	D-IA-7811964-1-β	SCREEN ASSEMBLY	1	1	1	1	1	1	1	1	-	1	1	1	1
26	9009789-01	INSERT, SNAP-IN, THREADED	4	4	4	-	4	4	4	4	-	4	4	4	-
27	D-MD-7414841-β-β	CATCH, COVER	2	2	2	-	2	2	2	2	-	2	2	2	-
28	9009595-00	RIVET, POP 1/4	76	76	86	76	60	76	72	72	56	62	76	76	56
29	9006073-01	SCREW, PHL PAN HD #10-32 x 1/2 LG	16	16	16	12	20	16	16	16	-	18	16	16	12
30	9007960-00	WASHER, HELICAL SPRING LOCK #10	20	20	20	20	24	20	20	20	-	23	20	20	16
31	<del>A-PL-7811588-β-1</del>	<del>SHIPPING LIST</del>	<del>1</del>	<del>1</del>	<del>1</del>	<del>1</del>	<del>1</del>	<del>1</del>	<del>1</del>	<del>1</del>	<del>1</del>	<del>1</del>	<del>1</del>	<del>1</del>	<del>1</del>
32	9006057-03	SCREW, PHL TRUSS HD 1/4 - 20 x 5/8 LG	10	12	14	8	8	8	18	8	-	18	16	12	8
33	<del>9007797-00</del>	<del>WASHER, HELICAL SPRING LOCK 1/4</del>	<del>24</del>	<del>26</del>	<del>26</del>	<del>22</del>	<del>22</del>	<del>22</del>	<del>32</del>	<del>24</del>	<del>4</del>	<del>32</del>	<del>36</del>	<del>36</del>	<del>18</del>
34	9008203-00	NUT, KEP 1/4-20	24	26	26	22	22	22	32	24	4	32	36	36	18
35	9007781-03	SCREW, PHL TRUSS HD 5/16 - 18 x 11/16 LG	16	16	16	16	16	16	16	16	16	16	16	16	16
36	9006638-00	WASHER, INTERNAL LOCK 5/16	16	16	16	16	16	16	16	16	16	16	16	16	16
37	9008922-09	SCREW, HEX HD CAP 3/8 - 16	20	20	20	20	20	20	20	20	20	20	20	20	20
38	9007788-00	WASHER, HELICAL SPRING LOCK 3/8	20	20	20	20	20	20	20	20	20	20	20	20	20
39	9007792-00	WASHER, FLAT .281 ID	24	26	26	22	22	22	32	22	4	32	36	36	18
40	<del>E-MD-7416167-β-β</del>	<del>BRACKET, OUTRIGGER</del>	<del>2</del>	<del>2</del>	<del>2</del>	<del>2</del>	<del>2</del>	<del>2</del>	<del>2</del>	<del>2</del>	<del>2</del>	<del>2</del>	<del>2</del>	<del>2</del>	<del>2</del>
41	D-IA-7812463-β-β	VERTICAL CENTER (HIBOY) L.H.	-	-	1	-	-	-	-	-	-	-	-	-	-
42	<del>E-MD-7414344-β-β</del>	<del>VERTICAL, FULL LENGTH CENTER</del>	<del>-</del>	<del>-</del>	<del>2</del>	<del>2</del>	<del>2</del>	<del>1</del>	<del>1</del>	<del>1</del>	<del>1</del>	<del>1</del>	<del>1</del>	<del>1</del>	<del>1</del>
43	<del>C-IA-7416227-β-β</del>	<del>GAM</del>	<del>-</del>	<del>-</del>	<del>1</del>	<del>1</del>	<del>1</del>	<del>1</del>	<del>1</del>	<del>1</del>	<del>1</del>	<del>1</del>	<del>1</del>	<del>1</del>	<del>1</del>

REV.	CHANGE NO.	DESCRIPTION
V	7011588-ML012	REVISED & REDRAWN
		Auto. Applied 9 FEB 79
		K. KNOWLES
		K. Knowles, Rel 2-11-79

DRN. D. MALLORY	20NOV75	FIRST USED ON	H9602
CHK'D. SCHMIDT	12FEB76	TITLE	FRAME ASSEMBLY
ENG. R. OLSON	19FEB76		SINGLE HIBOY
PROJ. ENG. R. OLSON	19FEB76		
PROD. V. ADAMETZ	20FEB76		
NEXT HIGHER ASSY.		SIZE	CODE
E-AD-7011588-00		C	PL
SCALE	1/1	NUMBER	7011588-0-0
SHEET 1	OF 3	DIST.	
		REV.	V

THIS DRAWING AND SPECIFICATIONS, HEREIN ARE THE PROPERTY OF DIGITAL EQUIPMENT CORPORATION AND SHALL NOT BE REPRODUCED OR COPIED OR USED IN WHOLE OR IN PART AS THE BASIS FOR THE MANUFACTURE OR SALE OF ITEMS WITHOUT WRITTEN PERMISSION. COPYRIGHT © 1979, DIGITAL EQUIPMENT CORPORATION

ITEM NO.	DWG NO./PART NO.	DESCRIPTION	-00	-01	-02	-03	-04	-05	-06	-07	-08	-09	-10	-11	-12
44	C-MD-7416223-β-β	SPRING													
45	C-MD-7416178-β-β	SPRING-LOCK RETAINER													
46	C-IA-7418455-β-β	LEVER ASM ASSY													
47	D-MD-7416188-β-β	STIFFENER			1										
48	D-AD-7412669-β-β	RET INTERLOCK ASSY													
49	9006056-03	SCREW, PHL TRUSS HD 1/4 - 20 x 1/2 LG.													
50	E-MD-7416418-β-β	VERTICAL (HIBOY) R.H.	2	2	2	2	2	2	2	2	2	2	2	2	2
51	E-MD-7416418-1-β	VERTICAL (HIBOY) L.H.	2	2	2	2	2	2	2	2	2	2	2	2	2
52	D-MD-741773β-β-β	VERTICAL CENTER LOWER L.H.	1	1	1								1		
53	D-MD-741773β-1-β	VERTICAL CENTER LOWER R.H.		1	1				1						
54	E-MD-7416543-β-β	VERTICAL (FULL LENGTH) L.H.				1	1	1	1	1		1			1
55	E-MD-7416543-1-β	VERTICAL (FULL LENGTH) R.H.				1	1	1							1
56	D-MD-7417731-1-β	POST, REAR MTG (BOTTOM)	1	1	1	1	1	1		1			1	1	1
57	D-MD-7417731-2-β	POST, REAR MTG (TOP)	1	1		1	1	1	1	1			1	1	1
58	D-MD-7416657-β-β	STIFFENER, SINGLE HORIZONTAL (BACK)			1										
59	D-MD-7417372-β-β	ROD, INTERLOCK (HIBOY)	2	2	2	2	2	2	2	2		2	2	2	2
60	C-MD-7416523-β-β	BRACKET, GUIDE	6	6	6	6	6	6	6	6		6	6	6	6
61	C-IA-7416679-β-β	CAM, FOLLOWER	2	2	2	2	2	2	2	2		2	2	2	2
62	9006564-00	HEX NUT 10-32	4	4	4	4	4	4	4	4		4	4	4	4
63	9007906-00	LOCKWASHERS, HELICAL SPLIT #10	4	4	4	4	4	4	4	4		4	4	4	4
64	9006664-00	WASHER, FLAT, .437 OD x .218 ID x .062 THK	4	4	4	4	4	4	4	4		4	4	4	4
65	E-AD-7413688-β-β	INTERLOCK KIT (MARK III) L.H.			1										1
66	C-MD-7417593-β-β	BRACKET, WHEEL LOCK	2	2	2	2	2	2	2	2		2	2	2	2
67	9008878-00	NUT, LEVELER 1/2-13	2	2	2	2	2	2	2	2		2	2	2	2
68	9000043-02	SCREW, HEX HD., 1/2-13 x 3/4 LG	2	2	2	2	2	2	2	2		2	2	2	2
69	D-MD-7416657-1-β	STIFFENER, SINGLE HORIZONTAL (FRONT)			1	1									
70	D-MD-74189β1-β-β	CENTER VERTICAL L.H.										1			
71	B-MD-7419β2β-β-β	STIFFENER BRACE UPPER										1			
72	B-MD-7419β21-β-β	STIFFENER BRACE LOWER										1			
73	C-MD-7419β22-β-β	STIFFENER CAB VERTICAL										1			
74	7013688-0-1	INTERLOCK KIT (MARK III) R.H.			1										
75	D-MD-7419296-β-β	BRKT. P.C. MOUNTING											1		
76	D-MD-74194ββ-β-β	BRKT. P.S. MOUNTING											1	1	
77	C-MD-741564β-β-β	BRKT. P.S. MOUNTING											1	1	
78	9008203-00	WSP NUT 1/4 - 20	21	26	26	22	22	22	22	24		4	22	26	
79	9006676-00	WASHER .625 OD x .201 ID x .051 THK FLAT													
80	9007706	SELF RET SPRING NUT 10-32													
81	C-IA-7415797-1-β	BRACKET PANEL MOUNTING					2								
82	9006071-01	SCREW PHL PAN HD 10-32 x 3/8 LG													
83	A-DC-36146β5-β-1	LABEL (PUSH)	4	4	4	4	4	4	4	4		4	4	4	4
84	A-DC-36146β3-β-1	LABEL (DO NOT PUSH)	4	4	4	4	4	4	4	4		4	4	4	4
85	A-DC-36146β4-β-1	LABEL (HIGH CG)	4	4	4	4	4	4	4	4		4	4	4	4
86	9000022-01	LEVELER FOOT CUSHION 1/2-13 (BLACK)					2								

REV.	
CHANGE NO.	
CHK	

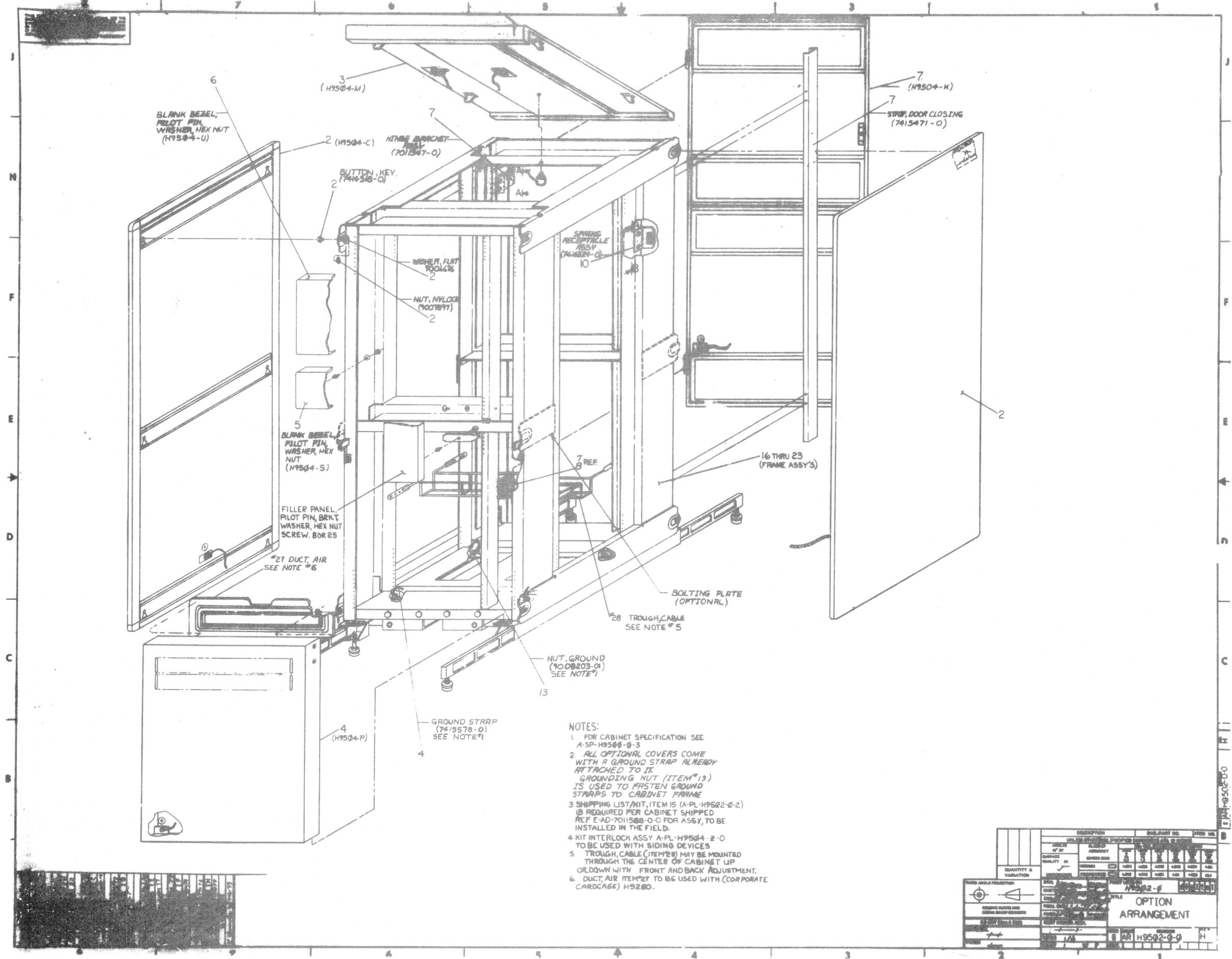
DRN. D. MALLORY	20NOV75	FIRST USED ON	H9602						
CHK'D D. SCHMIDT	12FEB76	TITLE	FRAME ASSEMBLY SINGLE HIBOY						
ENG. R. OLSON	19FEB76	PROJ. ENGR. OLSON	19FEB76						
PROD.V. ADAMETZ	20FEB76	NEXT HIGHER ASSY.	E-AD-7011588-0-0						
SCALE	1/1	SIZE	C	CODE	PL	NUMBER	7011588 00	REV.	V
SHEET	2	OF	3	DIST.					

THIS DRAWING AND SPECIFICATIONS, HEREIN ARE THE PROPERTY OF DIGITAL EQUIPMENT CORPORATION AND SHALL NOT BE REPRODUCED OR COPIED OR USED IN WHOLE OR IN PART AS THE BASIS FOR THE MANUFACTURE OR SALE OF ITEMS WITHOUT WRITTEN PERMISSION. COPYRIGHT © 1979, DIGITAL EQUIPMENT CORPORATION

ITEM NO.	DWG NO./PART NO.	DESCRIPTION	-00	-01	-02	-03	-04	-05	-06	-07	-08	-09	-10	-11	-12
87	A-PS-1214832-β-β	H95ββ CABINET WEIGHT					2								
88	9006249-09	HEX HD SCREW 1/4-20 x 2 LG					4								
89	9009025-00	FLAT WASHER .281 ID x .875 OD					4								
90	9006784-00	EXT. TOOTH LOCK WASHER					4								
91	9006582-00	TEE NUT 1/4 20					4								
92	9009912	NUT, PUSH ON 1/4-20	2	4	4	4	4	4	4	2		4	4	4	4

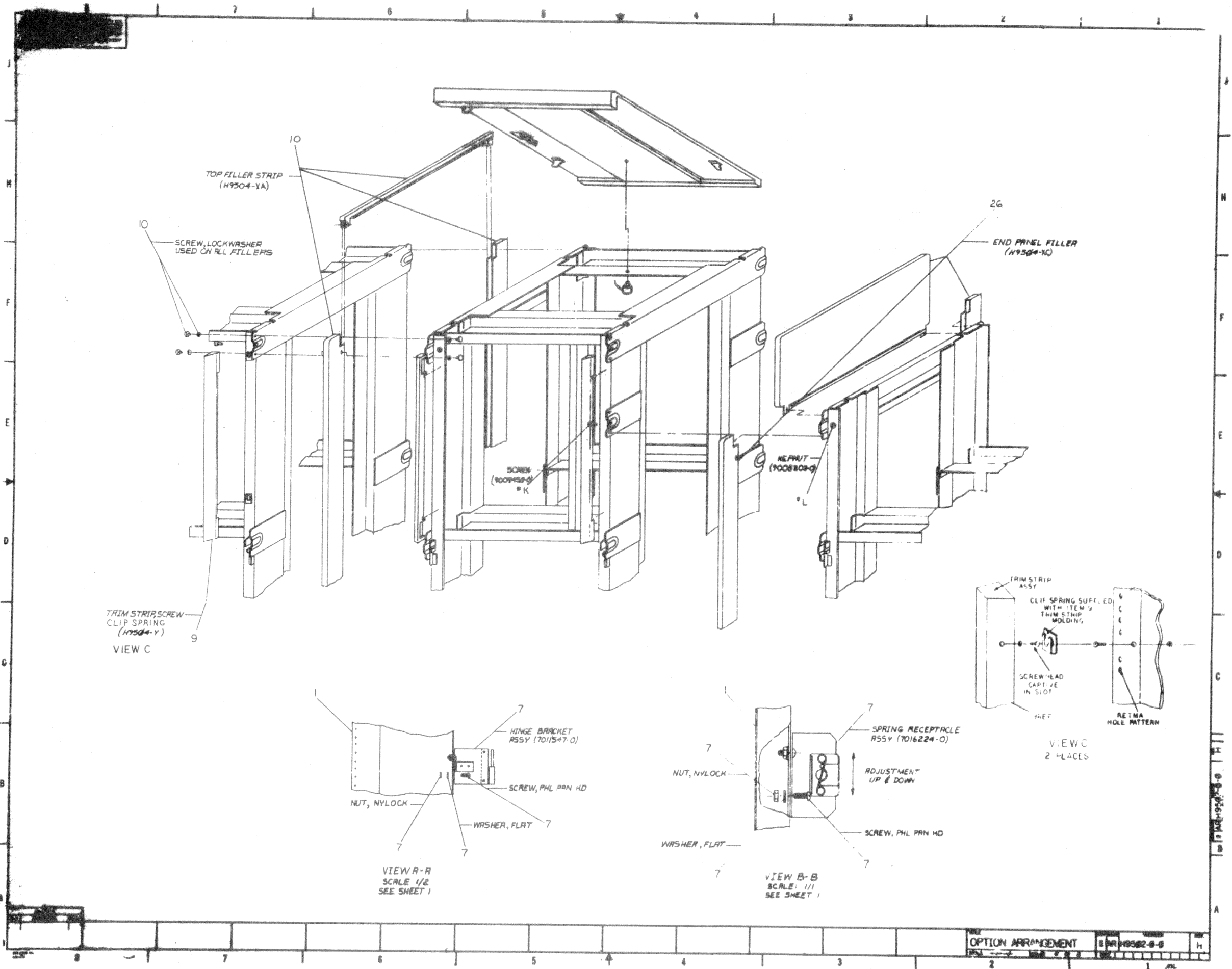
REV.	
CHANGE NO.	
CHK	

DRN. D. MALLORY	20NOV75	FIRST USED ON	H9602	<b>digital</b>
CHK'D. SCHMIDT	12FEB76	TITLE	FRAME ASSEMBLY SINGLE HI BOY	
ENG. R. OLSON	19FEB76	NEXT HIGHER ASSY.		
PROJ. ENGR. OLSON	19FEB76	SIZE	C	CODE
PROD. V. ADAMETZ	20FEB76	PL		NUMBER
		DIST.		7011588-00
E-AD-7011588-00		SCALE	3	OF 3
		REV.		Y

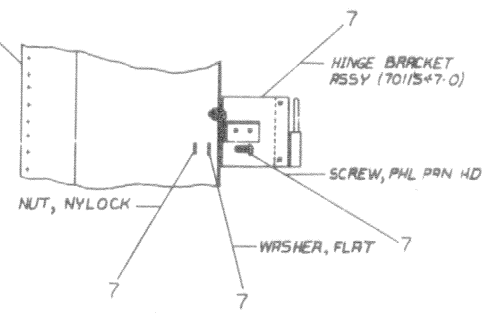


- NOTES:
- FOR CABINET SPECIFICATION SEE A-5P-H9508-0-3
  - ALL OPTIONAL COVERS COME WITH A GROUND STRAP ALREADY ATTACHED TO IT. GROUNDING NUT (ITEM #13) IS USED TO FASTEN GROUND STRAPS TO CABINET FRAME
  - SHIPPING LIST/MT, ITEM 15 (A-PL-H9502-0-2) IS REQUIRED PER CABINET SHIPPED. REF E-AD-7011588-0-0 FOR ASSY, TO BE INSTALLED IN THE FIELD.
  - KIT INTERLOCK ASSY A-PL-H9504-2-0 TO BE USED WITH SIDING DEVICES
  - TROUGH, CABLE (ITEM #28) MAY BE MOUNTED THROUGH THE CENTER OF CABINET UP OR DOWN WITH FRONT AND BACK ADJUSTMENT.
  - DUCT, AIR ITEM #27 TO BE USED WITH (CORPORATE CARD CASE) H9280.

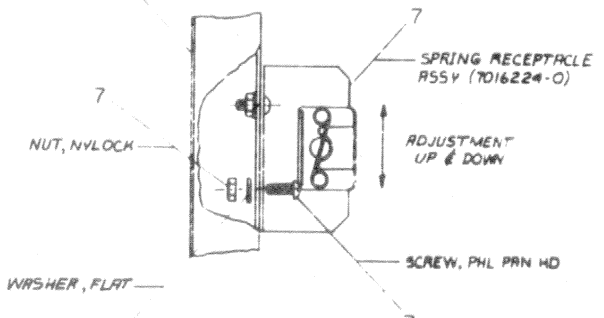
QUANTITY & VALIDATION		DESCRIPTION		SUBJECT NO.		PART NO.	
1		OPTION ARRANGEMENT		H9502-0			
1		OPTION ARRANGEMENT		H9502-0			
1		OPTION ARRANGEMENT		H9502-0			



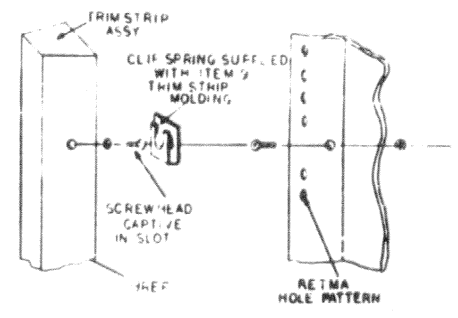
TRIM STRIP, SCREW  
CLIP SPRING  
(H9504-Y)  
VIEW C



VIEW R-R  
SCALE 1/2  
SEE SHEET 1



VIEW B-B  
SCALE 1/1  
SEE SHEET 1



VIEW C  
2 PLACES

OPTION ARRANGEMENT	REV H
REV G	REV F
REV E	REV D
REV C	REV B
REV A	REV 0



