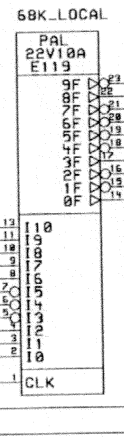
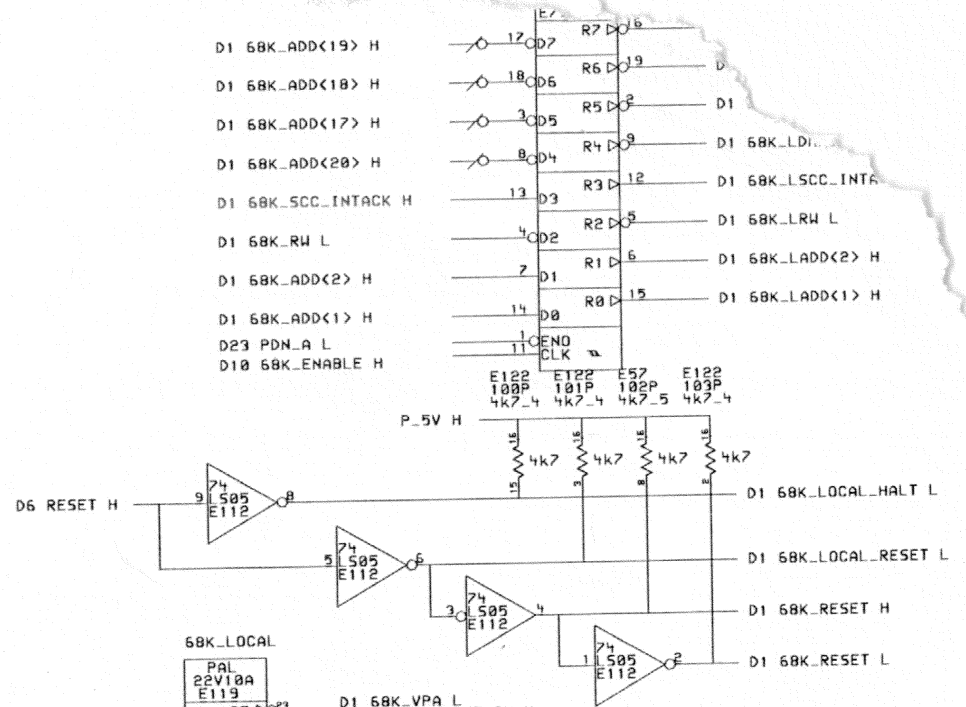
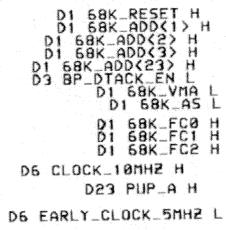
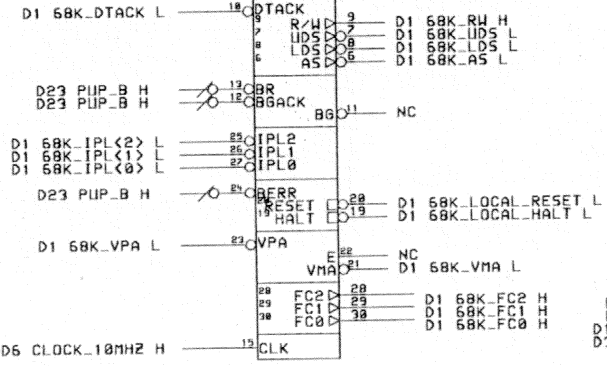
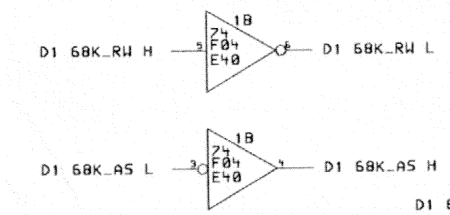
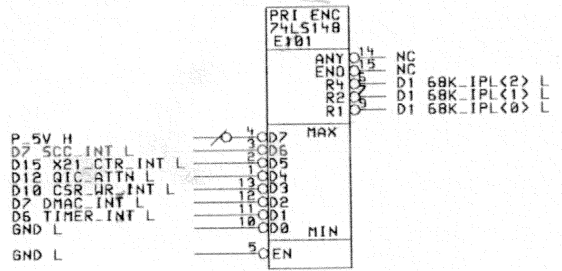
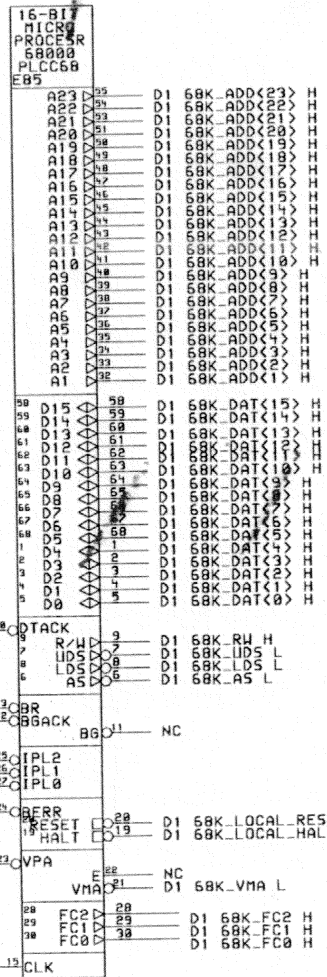


THIS DRAWING AND SPECIFICATIONS, HEREIN, ARE THE PROPERTY OF DIGITAL EQUIPMENT CORPORATION AND SHALL NOT BE REPRODUCED OR COPIED OR USED IN WHOLE OR IN PART AS THE BASIS FOR THE MANUFACTURE OR SALE OF ITEMS WITHOUT WRITTEN PERMISSION.

COPYRIGHT 1987 DIGITAL EQUIPMENT CORPORATION



REV	ECO NUMBER	DATE

DRN.	M. J. STRATFORD	25-NOV-1987	TITLE M3100_SIII_S.ETCH digital		
CHK'D.			DSV11 68K AND CLOSE LOGIC		
DES. ENG.			DOCUMENT NUMBER		
RESP. ENG.			SIZE K	CODE CS	NUMBER M3100-0-0
FRG. ENG.	S.O'SULLIVAN		SCALE	SHEET 1	REV. AX02
TOP DOC NO.					OF 27

DRAWING  
Tue Jan 26 11:42:26 1988

NEXT HIGHER ASSEMBLY  
K-DD-DSV11-0-0

D

C

B

A

C

B

A

4

3

2

RE2

1

4

3





THIS DRAWING AND SPECIFICATIONS, HEREIN, ARE THE PROPERTY OF DIGITAL EQUIPMENT CORPORATION AND SHALL NOT BE REPRODUCED OR COPIED OR USED IN WHOLE OR IN PART AS THE BASIS FOR THE MANUFACTURE OR SALE OF ITEMS WITHOUT WRITTEN PERMISSION.

COPYRIGHT 1987 DIGITAL EQUIPMENT CORPORATION

4

3

2

1

D

C

B

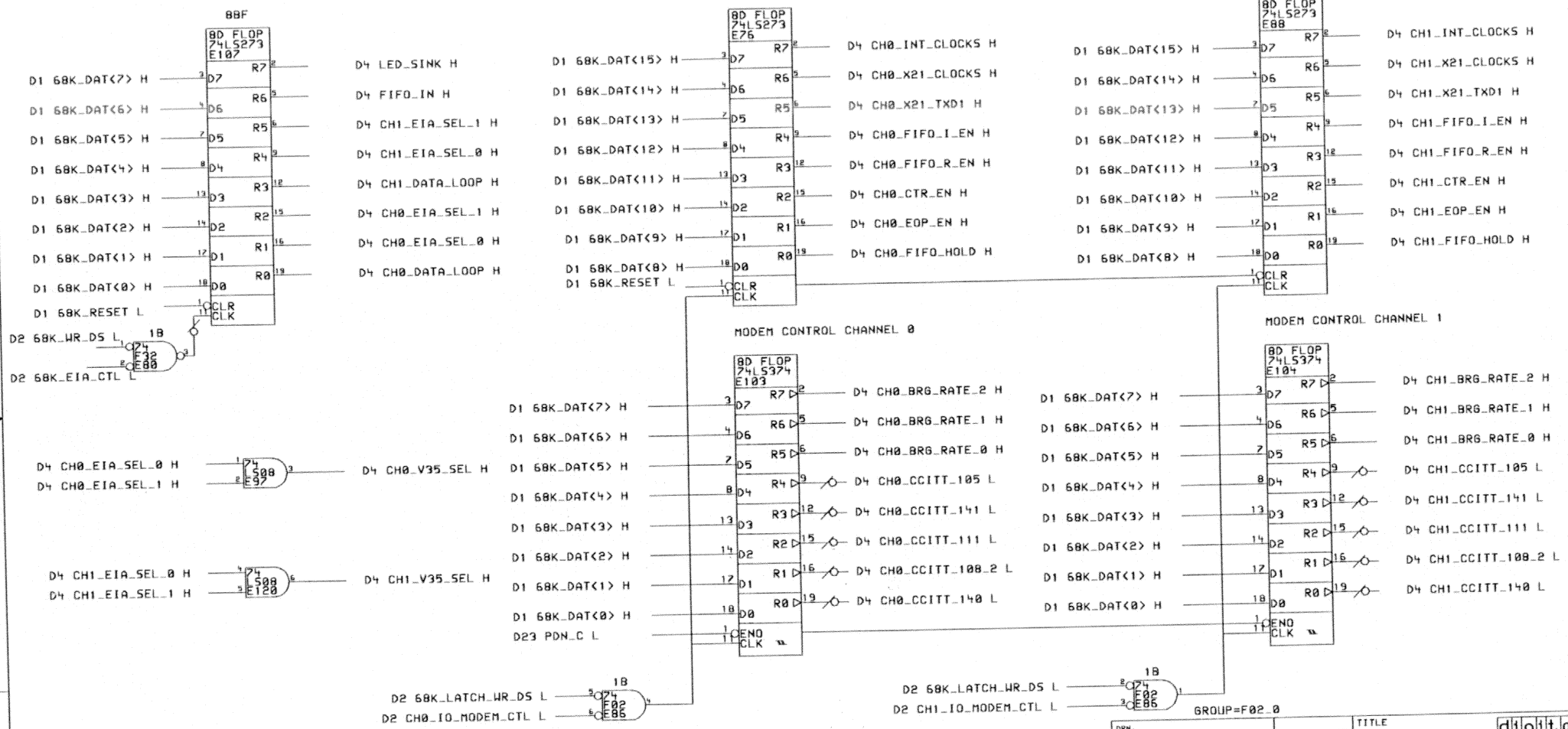
A

D

C

B

A



REVISION HISTORY	REV	ECD NUMBER	DATE

DRAWING  
Tue Jan 26 11:45:07 1988

NEXT HIGHER ASSEMBLY  
K-DD-DSV11-0-0

DRN.	M. J. STRATFORD	25-NOV-1987
CHK'D.		
DES. ENG.		
RESP. ENG.		
MFG. ENG.	S. O. SULLIVAN	
TOP DOC NO.		

TITLE	M3108_SIII_S_ETCH	digital
REV.	DSV11	
	68K MODEM CONTROLS AND STATUS	
DOCUMENT NUMBER		
SIZE	CODE	NUMBER
K	C5	M3108-0-0
SCALE		REV. AX02
		SHEET 4 OF 27

4

3

2

1

RE2

THIS DRAWING AND SPECIFICATIONS, HEREIN, ARE THE PROPERTY OF DIGITAL EQUIPMENT CORPORATION AND SHALL NOT BE REPRODUCED OR COPIED OR USED IN WHOLE OR IN PART AS THE BASIS FOR THE MANUFACTURE OR SALE OF ITEMS WITHOUT WRITTEN PERMISSION.

COPYRIGHT 1987 DIGITAL EQUIPMENT CORPORATION

D

C

B

A

D

C

B

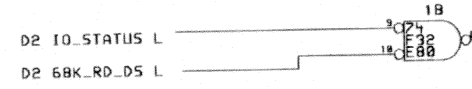
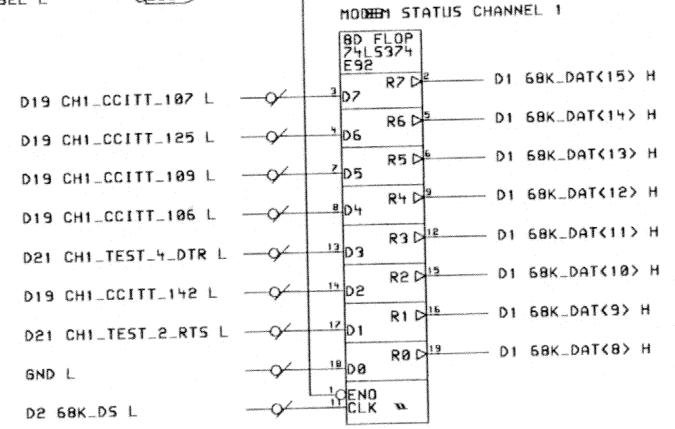
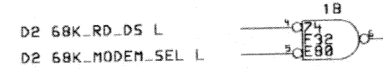
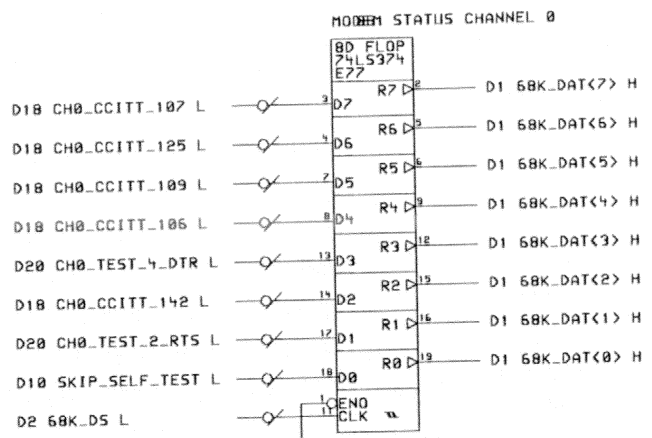
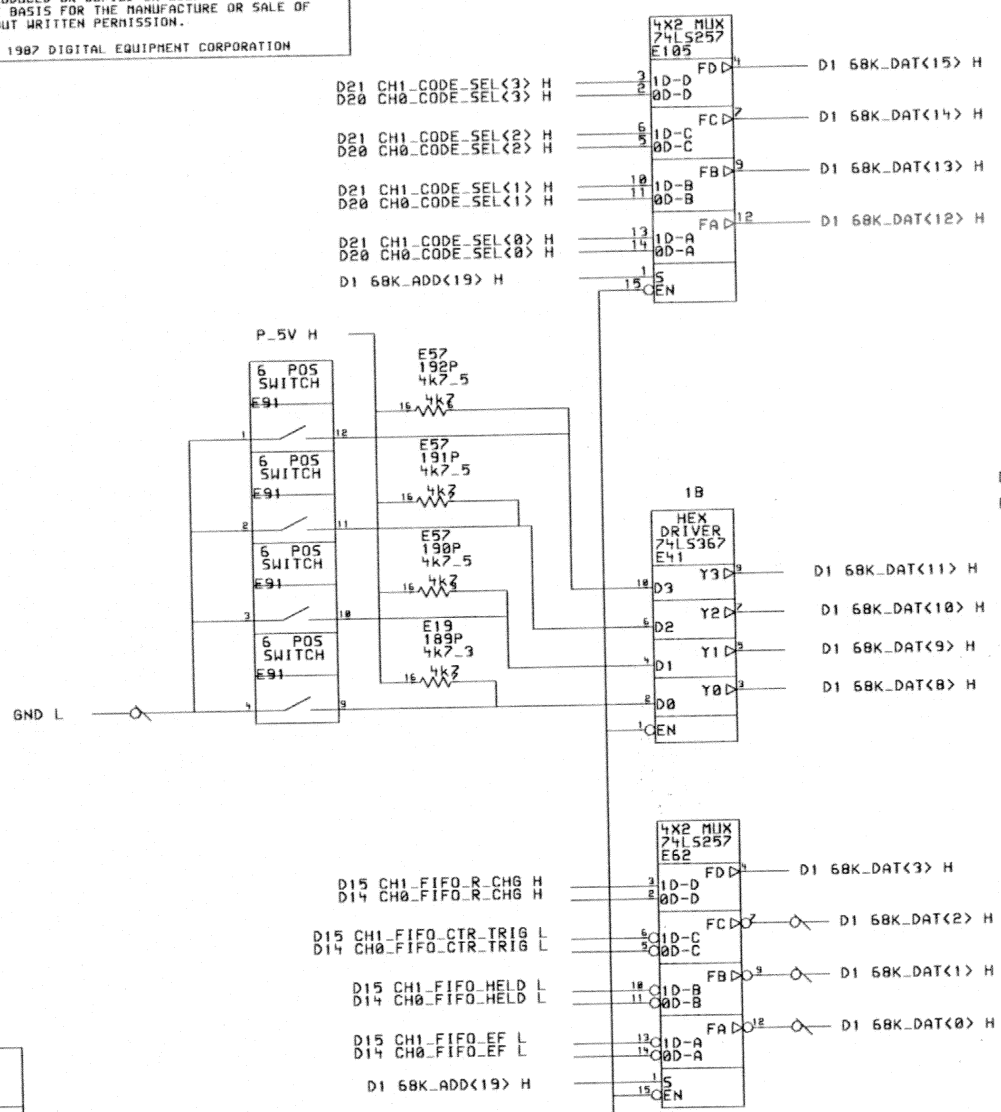
A

4

3

2

1



REV	ECO NUMBER	DATE

**DRAWING**  
Tue Jan 26 11:45:44 1988

NEXT HIGHER ASSEMBLY  
K-DD-DSV11-0-0

DRN.	M. J. STRATFORD	25-NOV-1987
CHK'D.		
DES. ENG.		
RESP. ENG.		
FIG. ENG.	S. O'SULLIVAN	
TOP DOC. NO.		

TITLE M3100-SIII_5-ETCH <b>digital</b>		
<b>DSV11</b> 68K OTHER PERIPHERALS		
DOCUMENT NUMBER		
SIZE	CODE	NUMBER
K	CS	M3100-0-0
SCALE	SHEET	REV.
	5	AX02
	OF	27

4

3

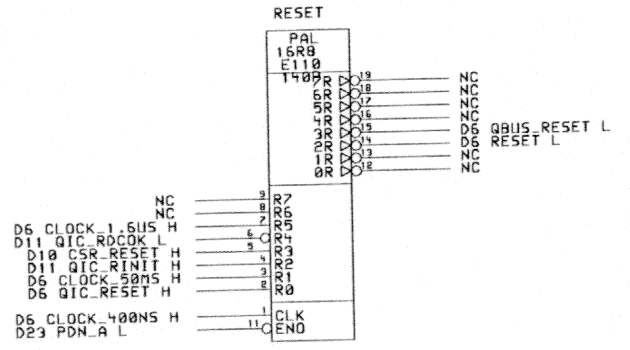
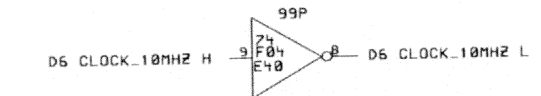
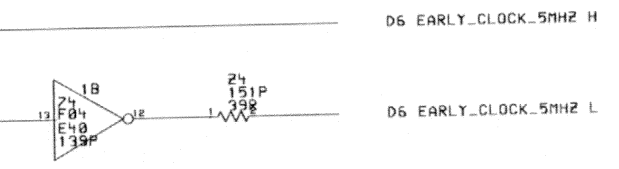
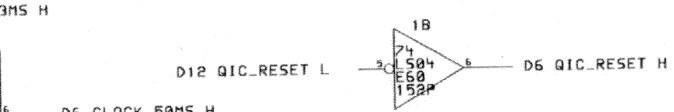
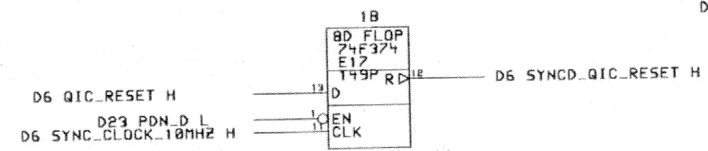
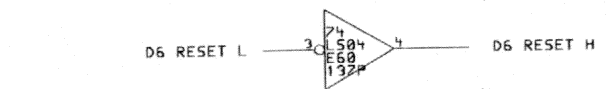
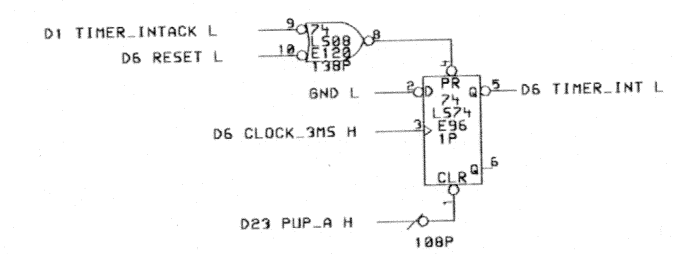
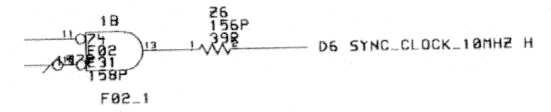
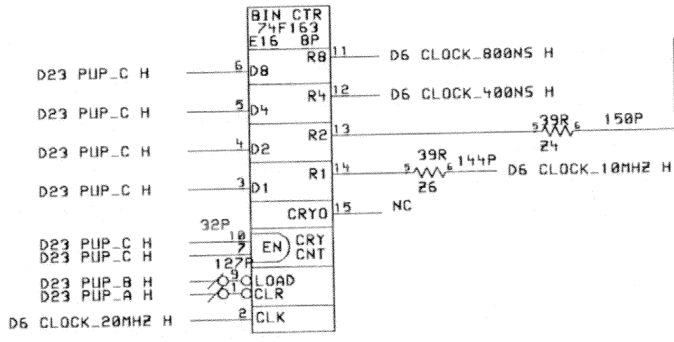
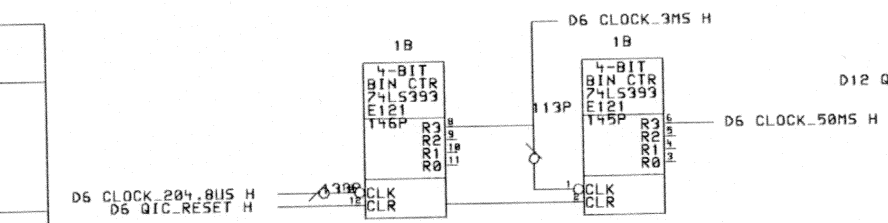
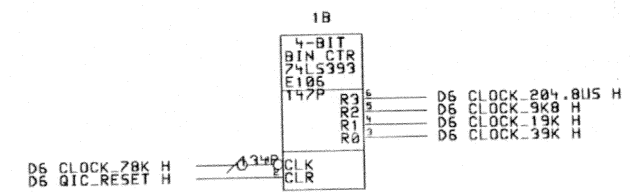
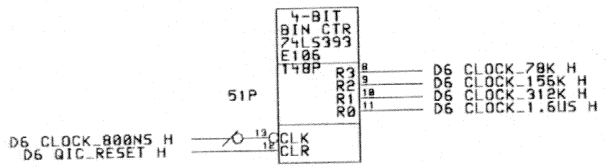
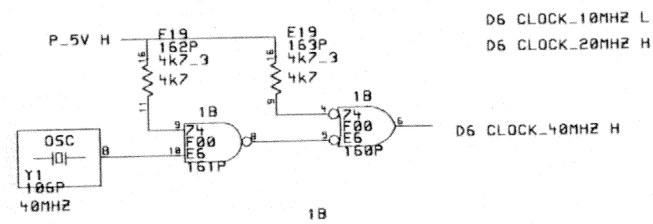
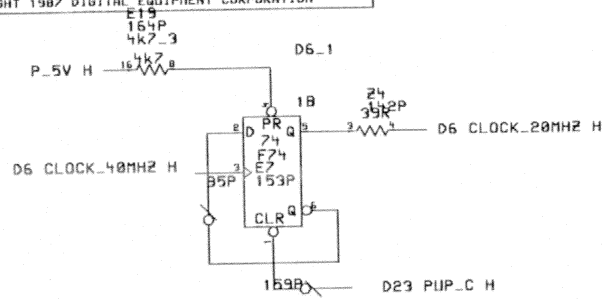
2

RE2

1

THIS DRAWING AND SPECIFICATIONS, HEREIN, ARE THE PROPERTY OF DIGITAL EQUIPMENT CORPORATION AND SHALL NOT BE REPRODUCED OR COPIED OR USED IN WHOLE OR IN PART AS THE BASIS FOR THE MANUFACTURE OR SALE OF ITEMS WITHOUT WRITTEN PERMISSION.

COPYRIGHT 1987 DIGITAL EQUIPMENT CORPORATION



REV	ECO NUMBER	DATE

DRAWING  
Tue Jan 26 11:46:35 1988

NEXT HIGHER ASSEMBLY  
K-DD-DSV11-0-0

DRN.	M.J.STRATFORD	25-NOV-1987
CHK'D.		
DES. ENG.		
RESP. ENG.		
RFB. ENG.	S.O'SULLIVAN	
TOP DOC NO.		

TITLE	M3100-S111-5-ETCH	digital
DSV11 CLOCKS AND RESETS		
DOCUMENT NUMBER		
SIZE	CODE	NUMBER
K	CS	M3100-0-0
SCALE		REV. AX02
		SHEET 6 OF 27

RE2 1

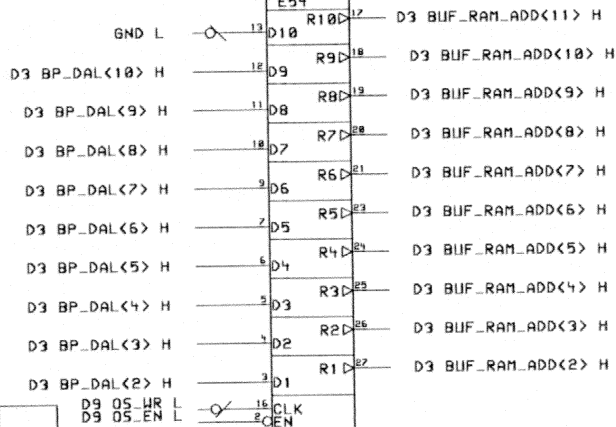
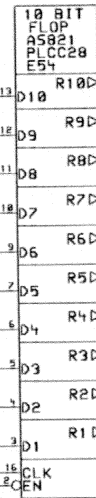
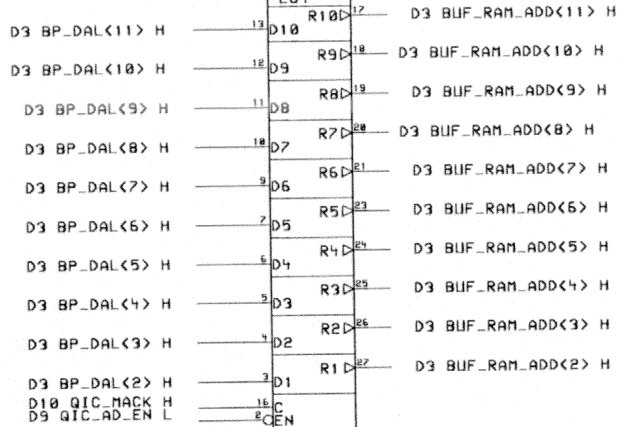
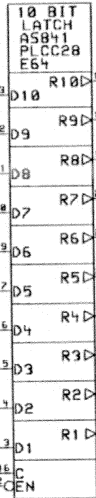




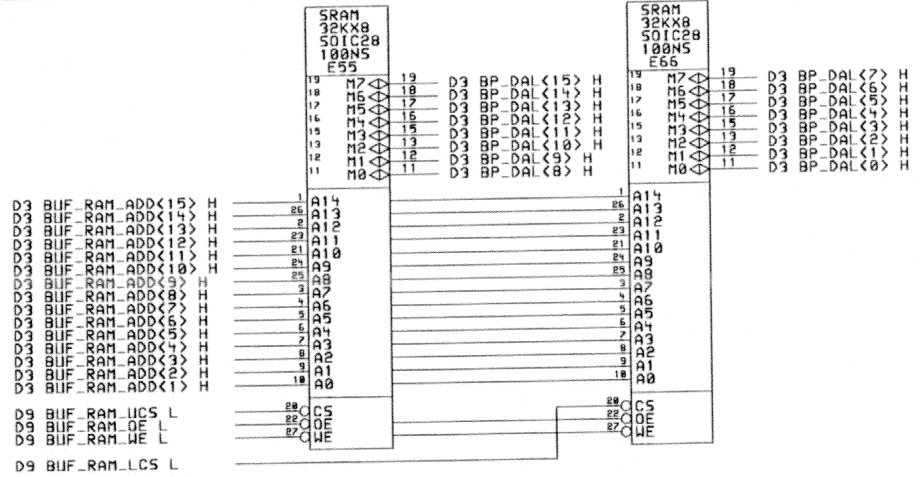
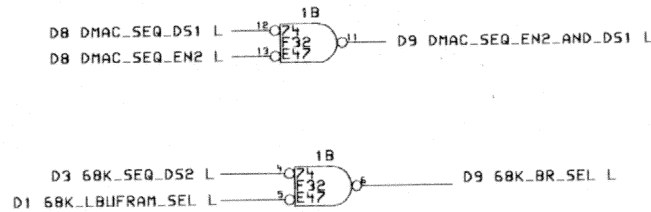


THIS DRAWING AND SPECIFICATIONS, HEREIN, ARE THE PROPERTY OF DIGITAL EQUIPMENT CORPORATION AND SHALL NOT BE REPRODUCED OR COPIED OR USED IN WHOLE OR IN PART AS THE BASIS FOR THE MANUFACTURE OR SALE OF ITEMS WITHOUT WRITTEN PERMISSION.

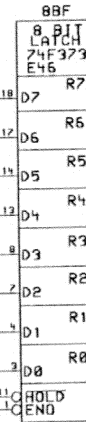
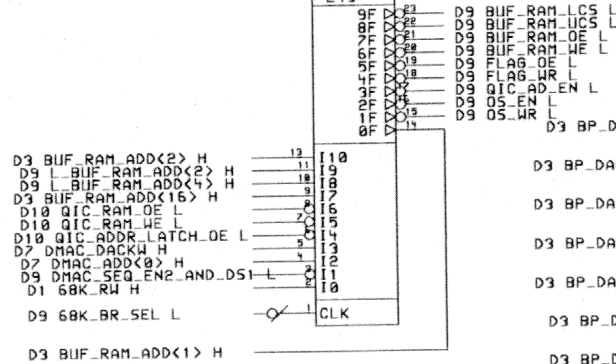
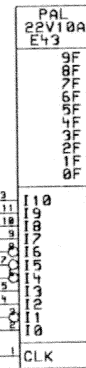
COPYRIGHT 1987 DIGITAL EQUIPMENT CORPORATION



REV	ECO NUMBER	DATE



BUF\_RAM\_CONTROLS



DRN. M. J. STRATFORD	25-NOV-1987	TITLE M3108_S111_S-ETCH	digital
CHK'D.		DSV11 BUFFER RAM & BACKPORT INTERFACE	
DES. ENG.			
RESP. ENG.		DOCUMENT NUMBER	
INFO. ENG. S. O'SULLIVAN		SIZE K	CODE CS
TOP DOC NO.		NUMBER M3108-0-0	REV. AX02
NEXT HIGHER ASSEMBLY K-DD-DSV11-0-0		SCALE	SHEET 9 OF 27

THIS DRAWING AND SPECIFICATIONS, HEREIN, ARE THE PROPERTY OF DIGITAL EQUIPMENT CORPORATION AND SHALL NOT BE REPRODUCED OR COPIED OR USED IN WHOLE OR IN PART AS THE BASIS FOR THE MANUFACTURE OR SALE OF ITEMS WITHOUT WRITTEN PERMISSION.

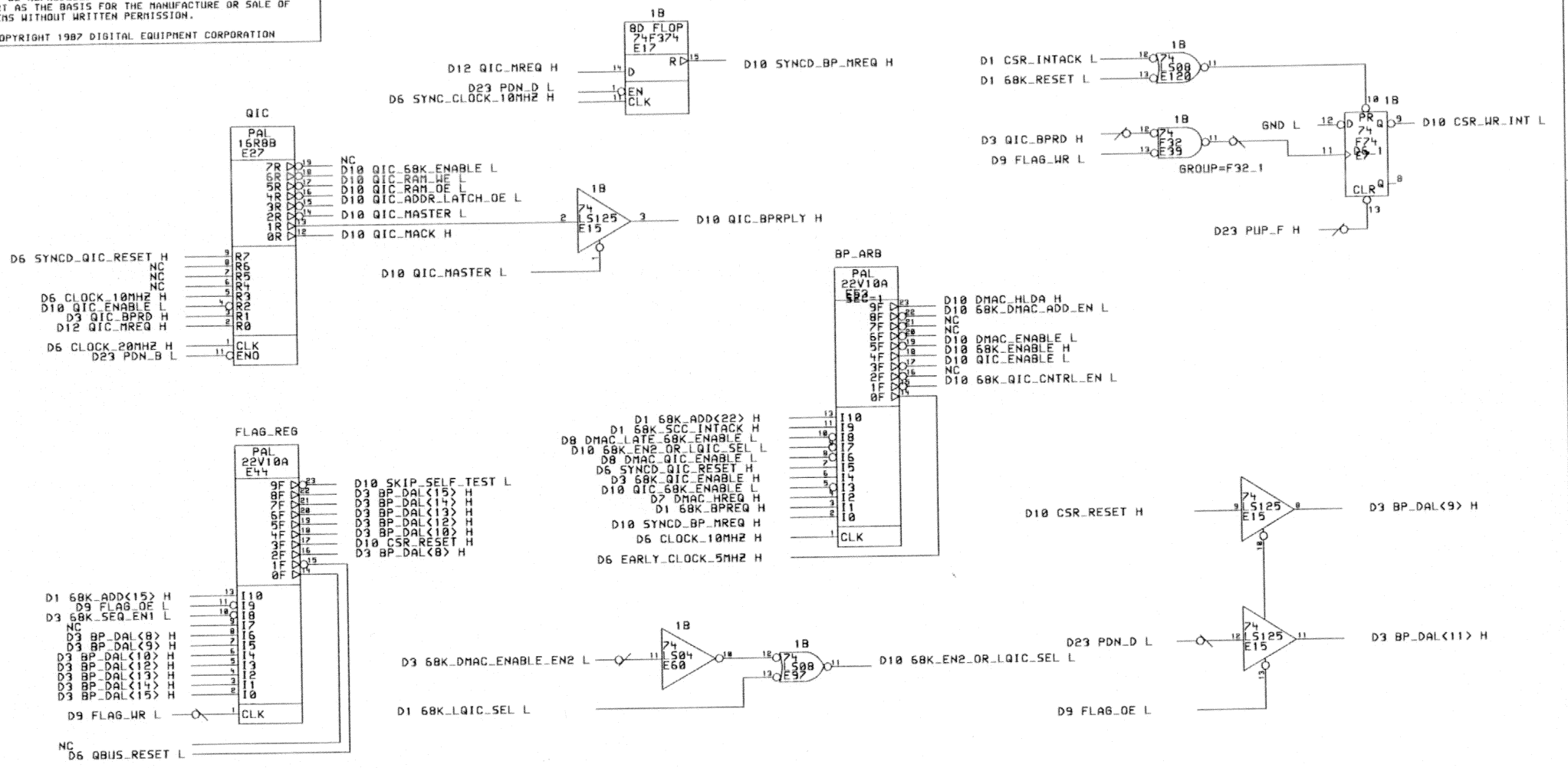
COPYRIGHT 1987 DIGITAL EQUIPMENT CORPORATION

4

3

2

1



REVISION HISTORY	REV	ECO NUMBER	DATE

DRAWING  
Tue Jan 26 11:49:53 1988

NEXT HIGHER ASSEMBLY  
K-DD-DSV11-0-0

DRN. M. J. STRATFORD	25-NOV-1987	TITLE M3108_SIII_S.ETCH	digital
CHK'D.		DSV11 FLAG REGISTER & QIC SUPPORT	
DES. ENG.			
RESP. ENG.			
FIG. ENG. S. O. SULLIVAN		DOCUMENT NUMBER	
TDP DOC NO.		SIZE K	CODE CS
		NUMBER M3108-0-0	REV. AX02
		SCALE	
		SHEET 10 OF 27	

4

3

2

RE2

1

THIS DRAWING AND SPECIFICATIONS, HEREIN, ARE THE PROPERTY OF DIGITAL EQUIPMENT CORPORATION AND SHALL NOT BE REPRODUCED OR COPIED OR USED IN WHOLE OR IN PART AS THE BASIS FOR THE MANUFACTURE OR SALE OF ITEMS WITHOUT WRITTEN PERMISSION.

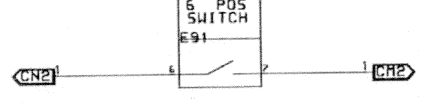
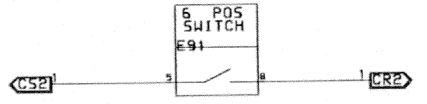
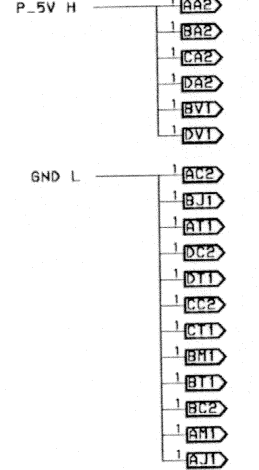
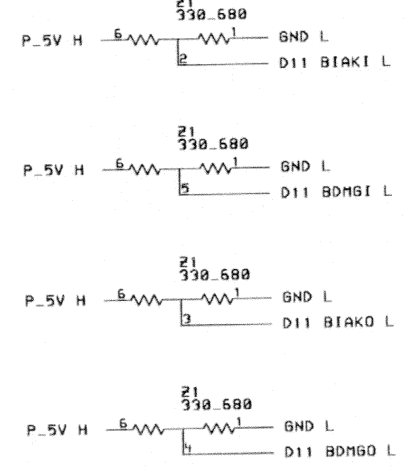
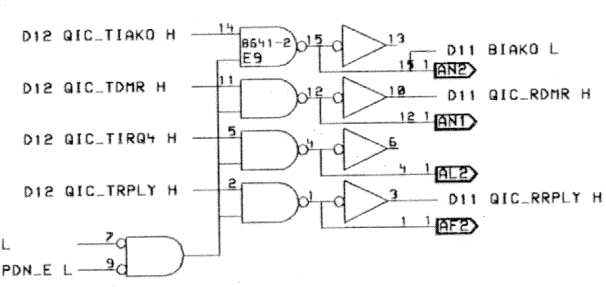
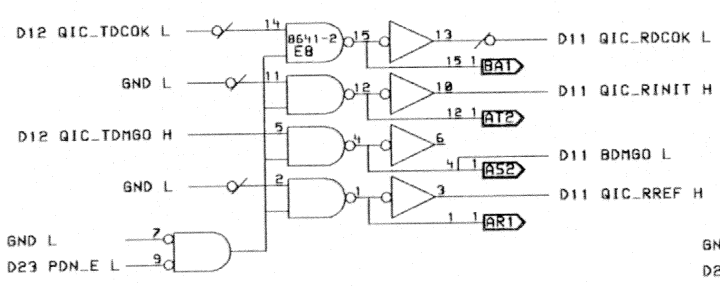
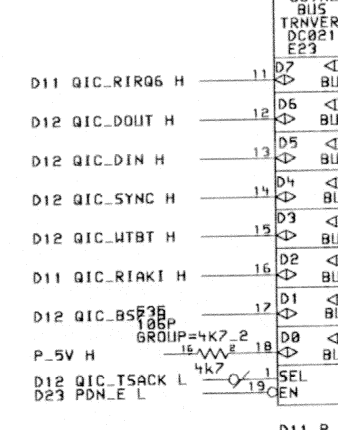
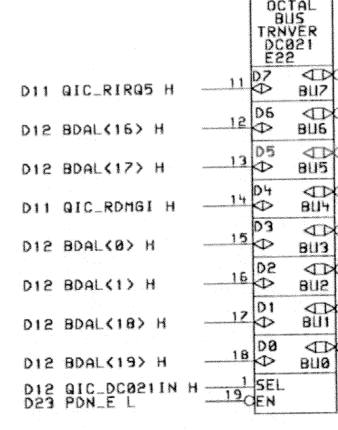
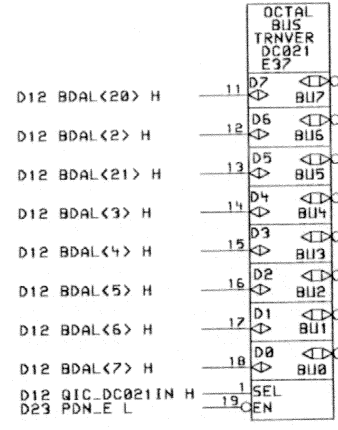
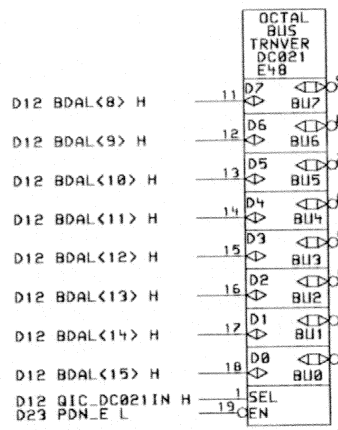
COPYRIGHT 1987 DIGITAL EQUIPMENT CORPORATION

4

3

2

1



SWITCHES FOR Q-BUS 'CD' SLOT DMG AND IAK CONTINUITY

REV	ECO NUMBER	DATE

DRAWING  
Tue Jan 26 11:50:43 1988

NEXT HIGHER ASSEMBLY  
K-DD-DSV11-0-0

DRN.	M.J.STRATFORD	25-NOV-1987	TITLE	M3108-S111-S-ETCH	digital
CHK'D.			DSV11		
DES. ENG.			QIC-QBUS TRANSCEIVERS		
RESP. ENG.			DSV11.LOGIC.1.11		
FRG. ENG.	S.O'SULLIVAN		DOCUMENT NUMBER		
TOP DGC NO.			NUMBER	M3108-0-0	REV. AX02
			SCALE		SHEET 11 OF 27

4

3

2

RE2

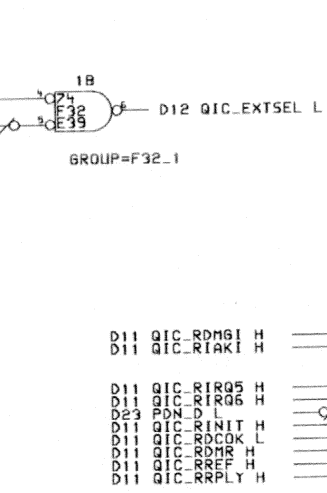
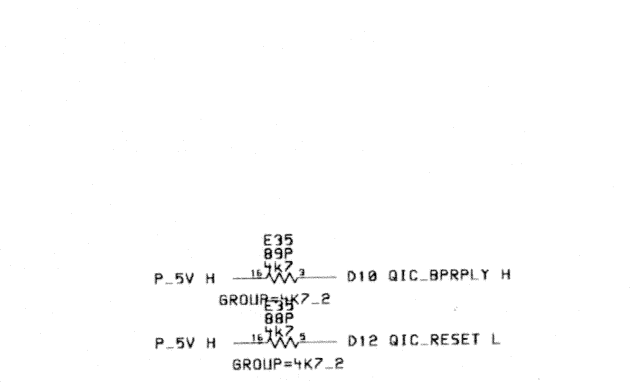
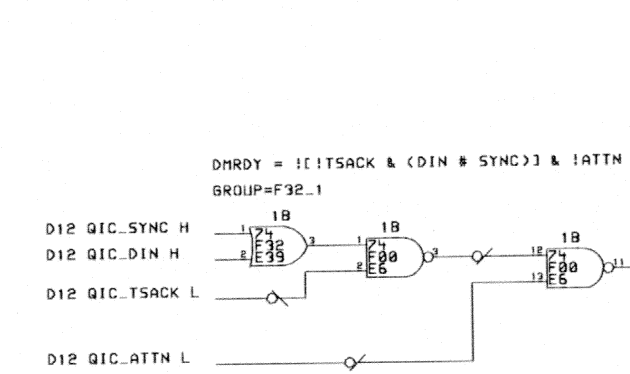
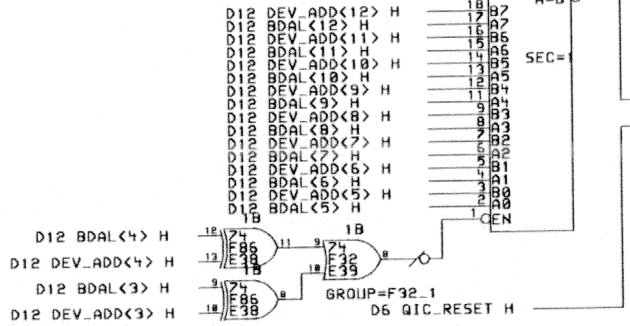
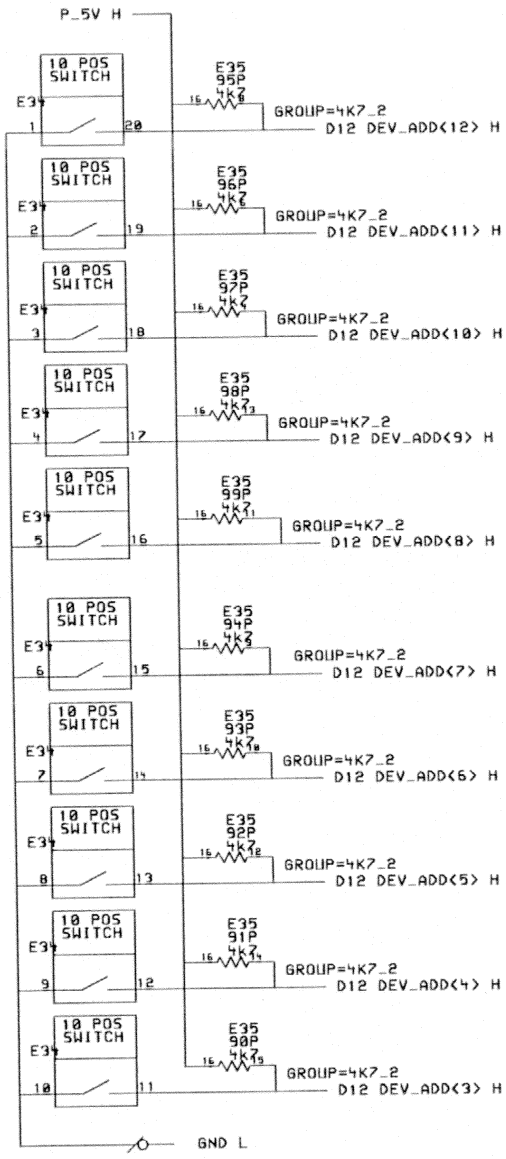
1

THIS DRAWING AND SPECIFICATIONS, HEREIN, ARE THE PROPERTY OF DIGITAL EQUIPMENT CORPORATION AND SHALL NOT BE REPRODUCED OR COPIED OR USED IN WHOLE OR IN PART AS THE BASIS FOR THE MANUFACTURE OR SALE OF ITEMS WITHOUT WRITTEN PERMISSION.

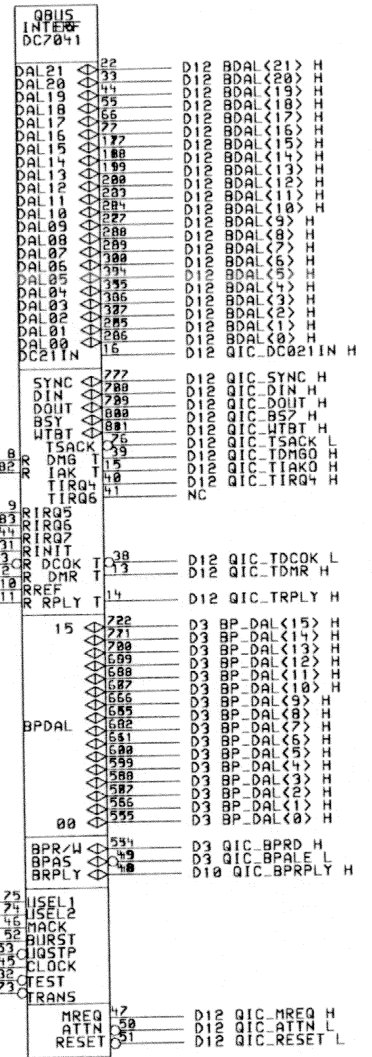
COPYRIGHT 1987 DIGITAL EQUIPMENT CORPORATION

D  
C  
B  
A

REV	ECO NUMBER	DATE



- D12 QIC\_EXTSEL L
- D3 QIC\_BPCS H
- D10 QIC\_MACK H
- D12 QIC\_DMRDY L
- D23 PDN\_D L
- D6 CLOCK\_20MHZ H
- D23 PUP\_E H
- GND L



DRN.	M. J. STRATFORD	25-NOV-1987
CHK'D.		
DES. ENG.		
RESP. ENG.		
FRG. ENG.	S. O'SULLIVAN	
TOP DOC NO.		

TITLE M3108_S111_5_ETCH <b>digital</b>		
<b>DSV11</b>		
QBUS INTERFACE CHIP & QBUS ADDRESS COMPARTOR		
DOCUMENT NUMBER		
SIZE	CODE	NUMBER
K	C5	M3108-0-0
SCALE		REV. AX02
		SHEET 12 OF 27

DRAWING  
Tue Jan 26 11:52:29 1988

NEXT HIGHER ASSEMBLY  
K-DD-DSV11-0-0

4

3

2

RE2

1

D  
C  
B  
A

THIS DRAWING AND SPECIFICATIONS, HEREIN, ARE THE PROPERTY OF DIGITAL EQUIPMENT CORPORATION AND SHALL NOT BE REPRODUCED OR COPIED OR USED IN WHOLE OR IN PART AS THE BASIS FOR THE MANUFACTURE OR SALE OF ITEMS WITHOUT WRITTEN PERMISSION.

COPYRIGHT 1987 DIGITAL EQUIPMENT CORPORATION

D

C

B

A

4

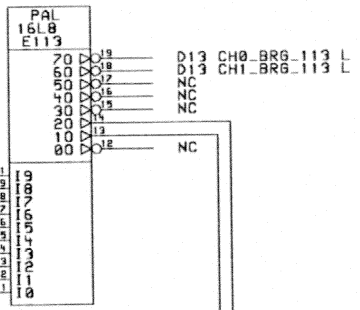
3

2

1

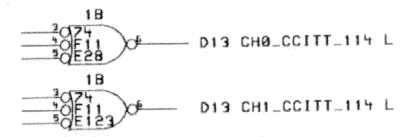
- D4 CH1\_BRG\_RATE\_2 H
- D4 CH0\_BRG\_RATE\_0 H
- D4 CH0\_BRG\_RATE\_1 H
- D4 CH0\_BRG\_RATE\_2 H
- D6 CLOCK\_9K H
- D6 CLOCK\_19K H
- D6 CLOCK\_39K H
- D6 CLOCK\_78K H
- D6 CLOCK\_156K H
- D6 CLOCK\_312K H
- D4 CH1\_BRG\_RATE\_1 H
- D4 CH1\_BRG\_RATE\_0 H

BRG\_MUX



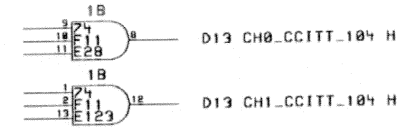
GROUP=D13\_0

- D20 CH0\_TEST\_3\_CLK114 L
- D18 CH0\_EIA\_114 L
- D24 CH0\_V35\_114 L
- D21 CH1\_TEST\_3\_CLK114 L
- D19 CH1\_EIA\_114 L
- D25 CH1\_V35\_114 L



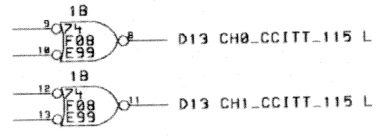
GROUP=D13\_1

- D20 CH0\_TEST\_1\_DATA103 H
- D18 CH0\_EIA\_104 H
- D24 CH0\_V35\_104 H
- D21 CH1\_TEST\_1\_DATA103 H
- D19 CH1\_EIA\_104 H
- D25 CH1\_V35\_104 H



GROUP=D13\_1

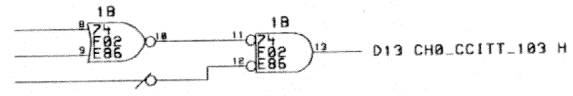
- D18 CH0\_EIA\_115 L
- D24 CH0\_V35\_115 L
- D19 CH1\_EIA\_115 L
- D25 CH1\_V35\_115 L



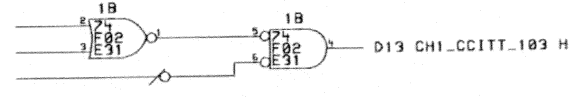
GROUP=F02\_0

GROUP=F02\_0

- D7 CH0\_TXDA H
- D4 CH0\_X21\_TXD1 H
- D7 CH0\_X21\_TXD0 H



- D7 CH1\_TXDB H
- D4 CH1\_X21\_TXD1 H
- D7 CH1\_X21\_TXD0 H



GROUP=F02\_1

GROUP=F02\_1

REV	ECO NUMBER	DATE

DRAWING  
Tue Jan 26 11:53:44 1988

NEXT HIGHER ASSEMBLY  
K-DD-DSV11-0-0

DRN. M.J.STRATFORD	25-NOV-1987	TITLE M3108_SIII_S.ETCH	digital
CHK'D.		<b>DSV11</b> CLOCK & DATA MUX	
DES. ENG.			
RESP. ENG.			
APP. ENG. S.O'SULLIVAN			
DOCUMENT NUMBER		SIZE K	CODE CS
TOP DOC NO.		NUMBER M3108-0-0	REV. AX02
		SHEET 13 OF 27	

4

3

2

RE2

1

D

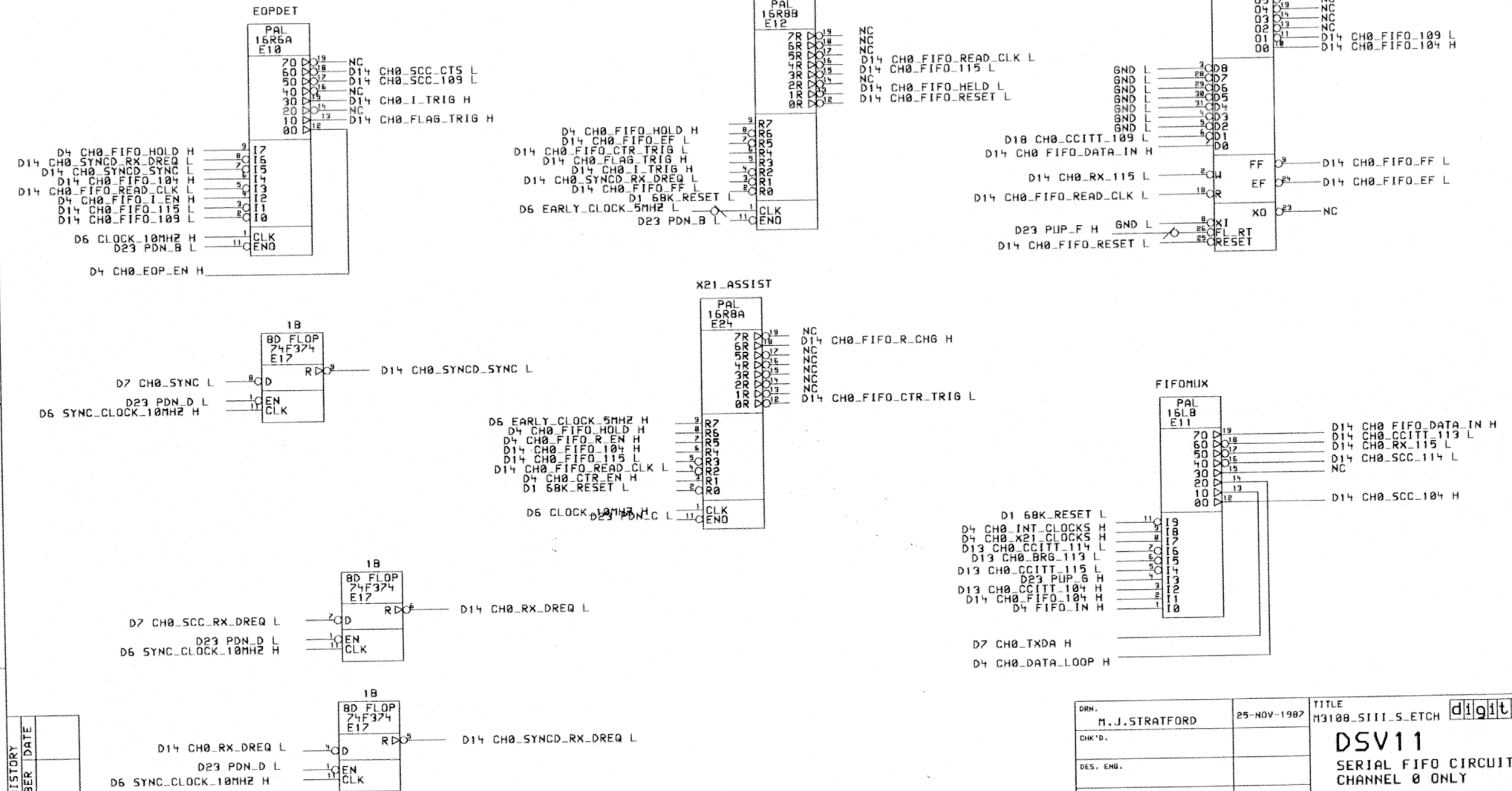
C

B

A

THIS DRAWING AND SPECIFICATIONS, HEREIN, ARE THE PROPERTY OF DIGITAL EQUIPMENT CORPORATION AND SHALL NOT BE REPRODUCED OR COPIED OR USED IN WHOLE OR IN PART AS THE BASIS FOR THE MANUFACTURE OR SALE OF ITEMS WITHOUT WRITTEN PERMISSION.

COPYRIGHT 1987 DIGITAL EQUIPMENT CORPORATION



REV	ECO NUMBER	DATE

DRAWING  
Tue Jan 26 11:55:08 1988

NEXT HIGHER ASSEMBLY  
K-DD-DSV11-0-0

DRN. M. J. STRATFORD	25-NOV-1987	TITLE M3108_S111_5_ETCH	digital
CHK'D.		<b>DSV11</b> SERIAL FIFO CIRCUIT CHANNEL 0 ONLY	
DES. ENG.			
RESP. ENG.		DOCUMENT NUMBER	
FRG. ENG. S. O'SULLIVAN		SIZE K	CODE CS
TOP DOC NO.		NUMBER M3108-0-0	REV. AX02
		SCALE	SHEET 14 OF 27

THIS DRAWING AND SPECIFICATIONS, HEREIN, ARE THE PROPERTY OF DIGITAL EQUIPMENT CORPORATION AND SHALL NOT BE REPRODUCED OR COPIED OR USED IN WHOLE OR IN PART AS THE BASIS FOR THE MANUFACTURE OR SALE OF ITEMS WITHOUT WRITTEN PERMISSION.

COPYRIGHT 1987 DIGITAL EQUIPMENT CORPORATION

4

3

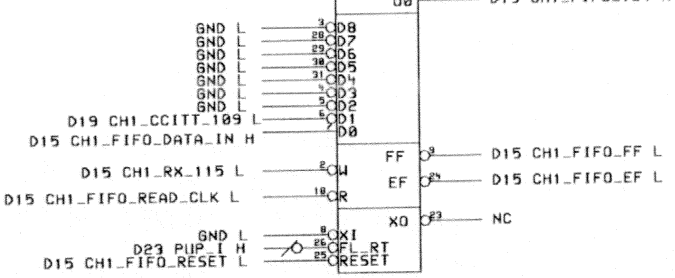
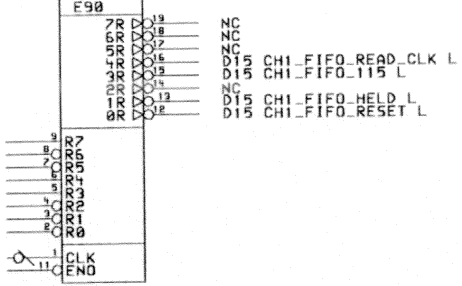
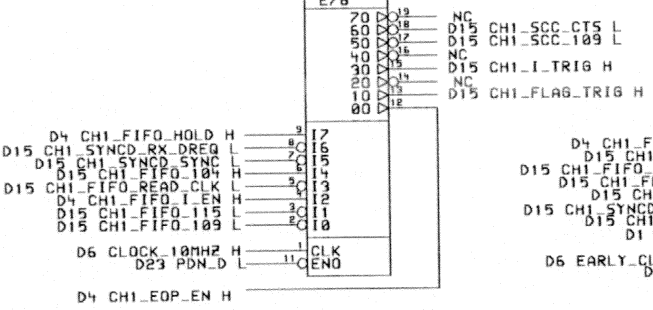
2

1

EOPDET

FIFOCT

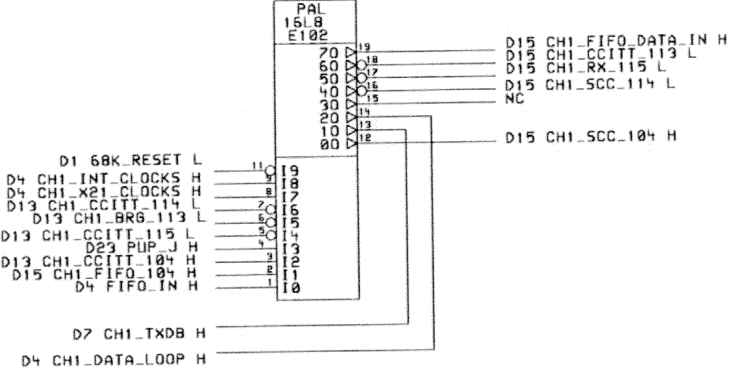
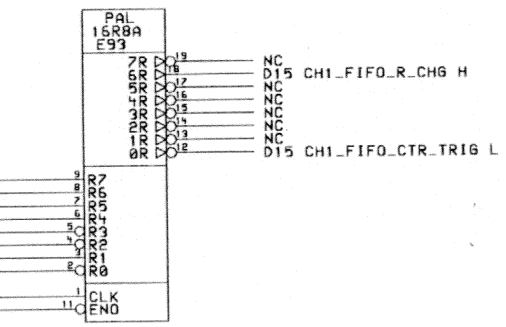
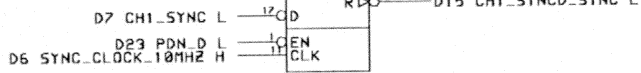
FIFO  
1KX9  
IDT7202  
PLCC32  
E69



BD FLOP  
74F374  
E17

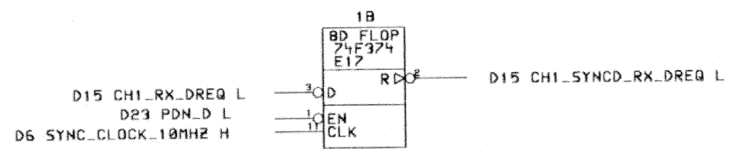
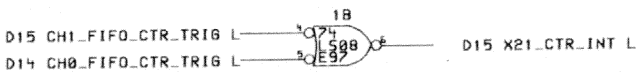
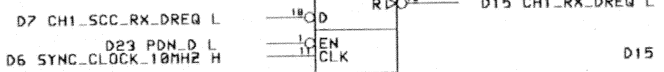
TYPE=X21\_ASSIST

FIFOMUX



BD FLOP  
74F374  
E17

BD FLOP  
74F374  
E17



DRAWING  
Tue Jan 26 11:57:00 1988

NEXT HIGHER ASSEMBLY  
K-DD-DSV11-0-0

DRN.	M. J. STRATFORD	25-NOV-1987
CHK'D.		
DES. ENG.		
RESP. ENG.		
FRG. ENG.	S. O'SULLIVAN	
TOP DOC NO.		

TITLE	M3108_S111_5.ETCH	digital
<b>DSV11</b>		
SERIAL FIFO CIRCUIT CHANNEL 1 ONLY		

DOCUMENT NUMBER			
SIZE	CODE	NUMBER	REV.
K	CS	M3108-0-0	AX02
SCALE			SHEET 15 OF 27

REVISION HISTORY	DATE
REV	ECO NUMBER

4

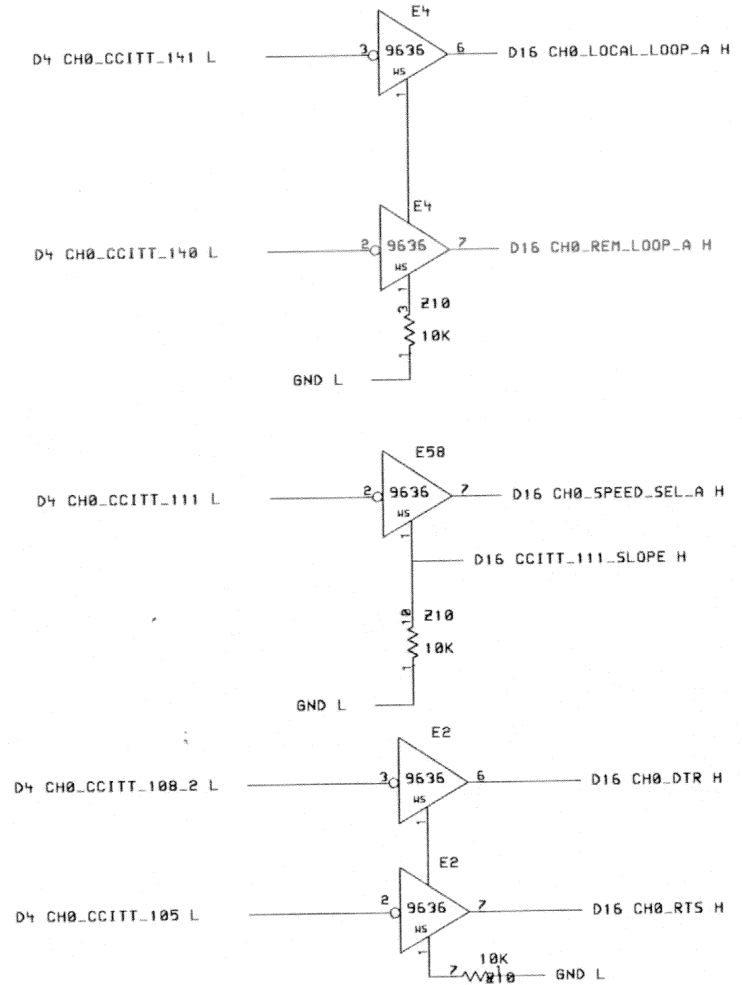
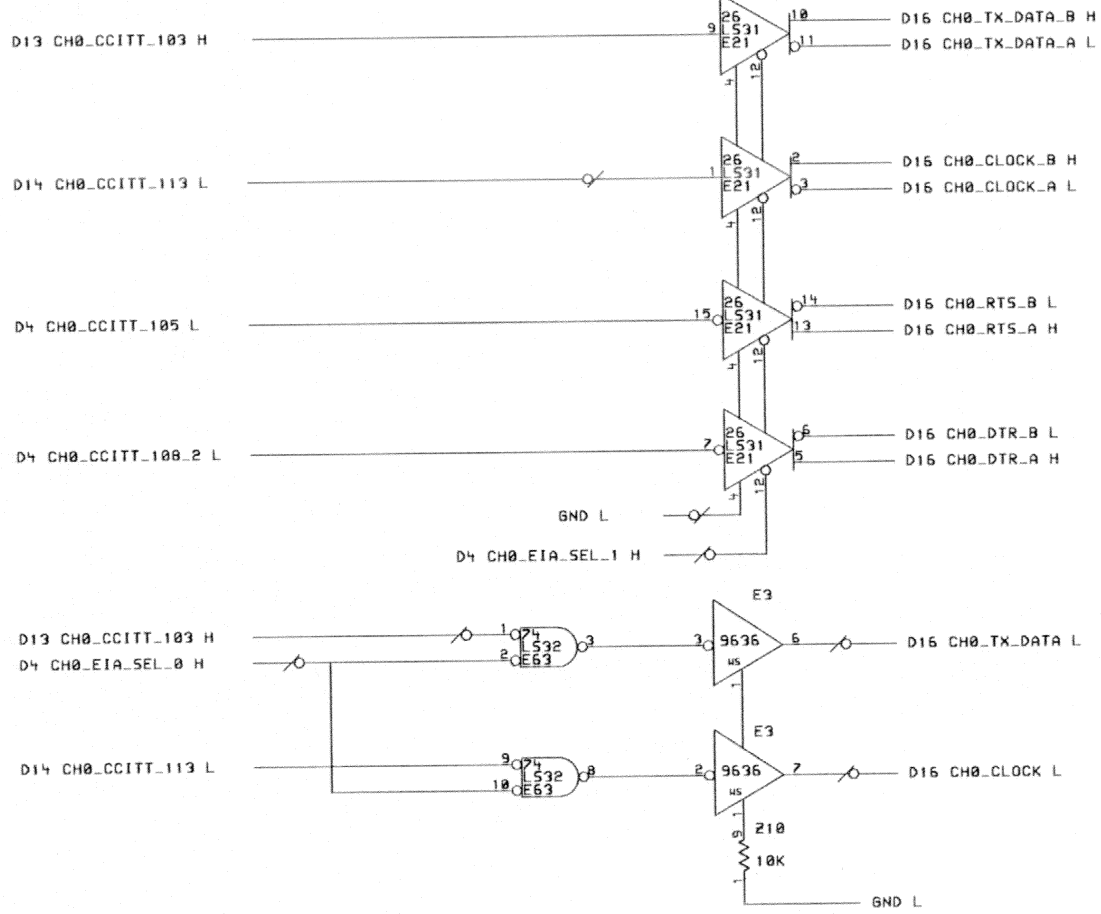
3

2

RE2

1

THIS DRAWING AND SPECIFICATIONS, HEREIN, ARE THE PROPERTY OF DIGITAL EQUIPMENT CORPORATION AND SHALL NOT BE REPRODUCED OR COPIED OR USED IN WHOLE OR IN PART AS THE BASIS FOR THE MANUFACTURE OR SALE OF ITEMS WITHOUT WRITTEN PERMISSION.  
 COPYRIGHT 1987 DIGITAL EQUIPMENT CORPORATION



REV	ECD NUMBER	DATE

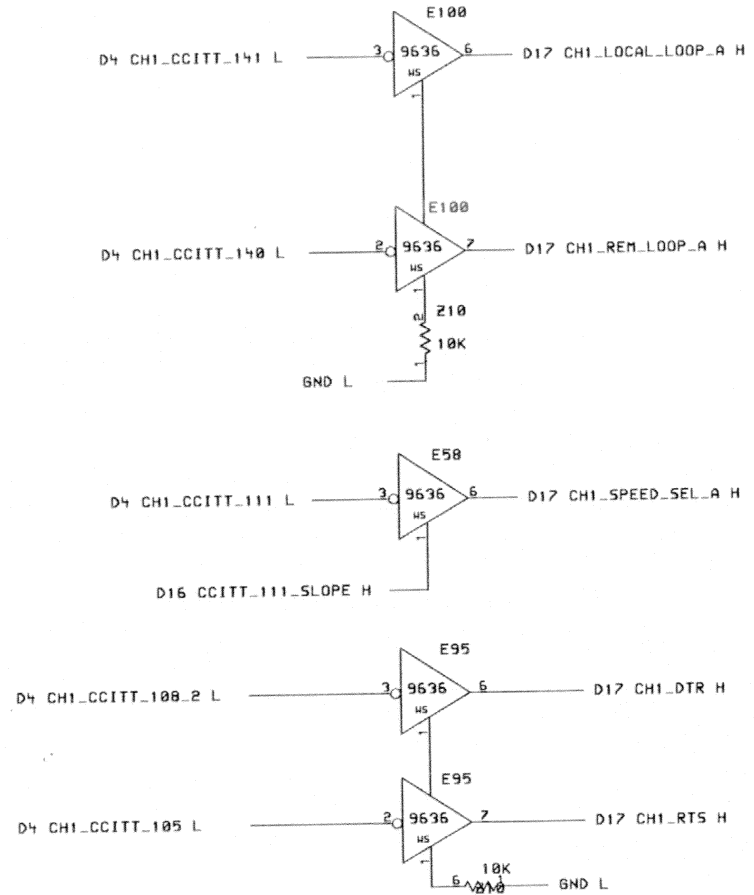
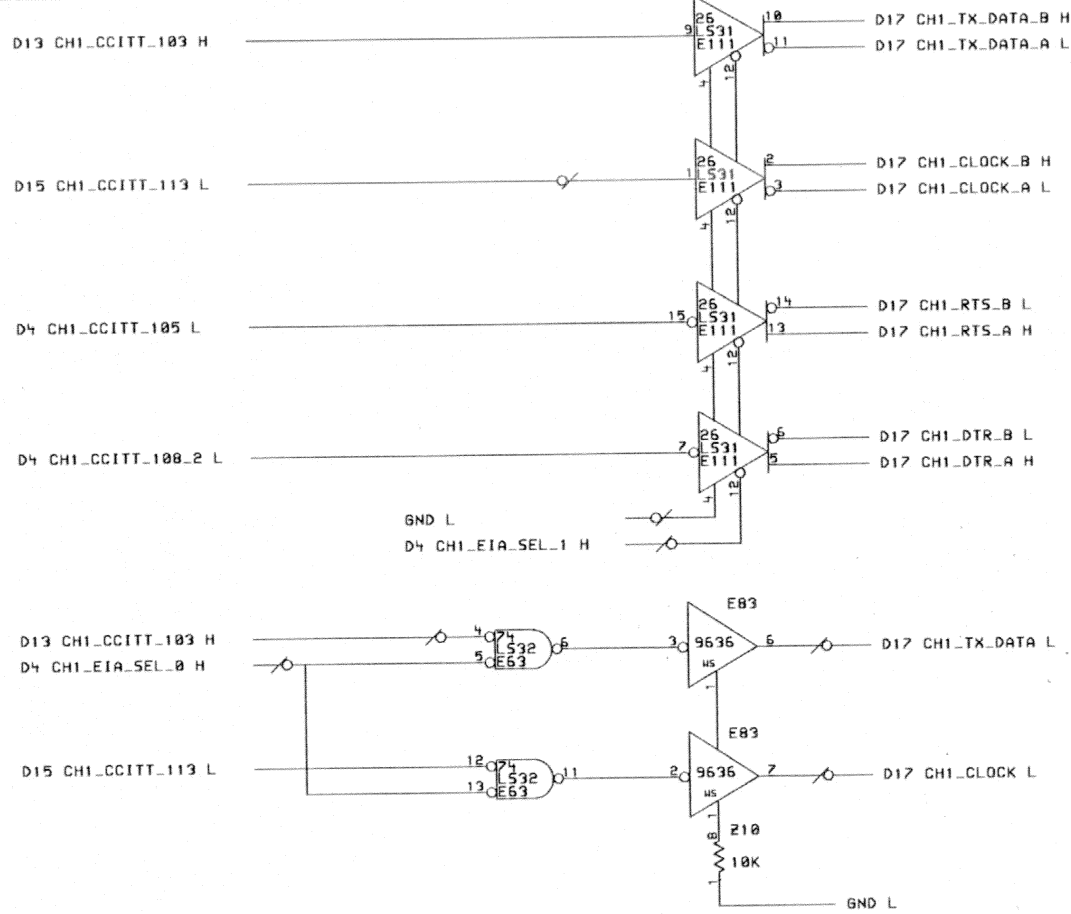
DRAWING  
 Tue Jan 26 11:58:03 1988  
 NEXT HIGHER ASSEMBLY  
 K-DD-DSV11-0-0

DRN. M.J.STRATFORD	25-NOV-1987	TITLE M3108_S111_S_ETCH	digital		
CHK'D.		<b>DSV11</b> EIA INTERFACES CH0_RS_DRIVERS			
DES. ENG.					
RESP. ENG.					
MFG. ENG. S.O'SULLIVAN		DOCUMENT NUMBER			
TOP DOC NO.		SIZE K	CODE CS	NUMBER M3108-0-0	REV. AX02
SCALE		SHEET 16 OF 27			



THIS DRAWING AND SPECIFICATIONS, HEREIN, ARE THE PROPERTY OF DIGITAL EQUIPMENT CORPORATION AND SHALL NOT BE REPRODUCED OR COPIED OR USED IN WHOLE OR IN PART AS THE BASIS FOR THE MANUFACTURE OR SALE OF ITEMS WITHOUT WRITTEN PERMISSION.

COPYRIGHT 1987 DIGITAL EQUIPMENT CORPORATION



REV	ECO NUMBER	DATE

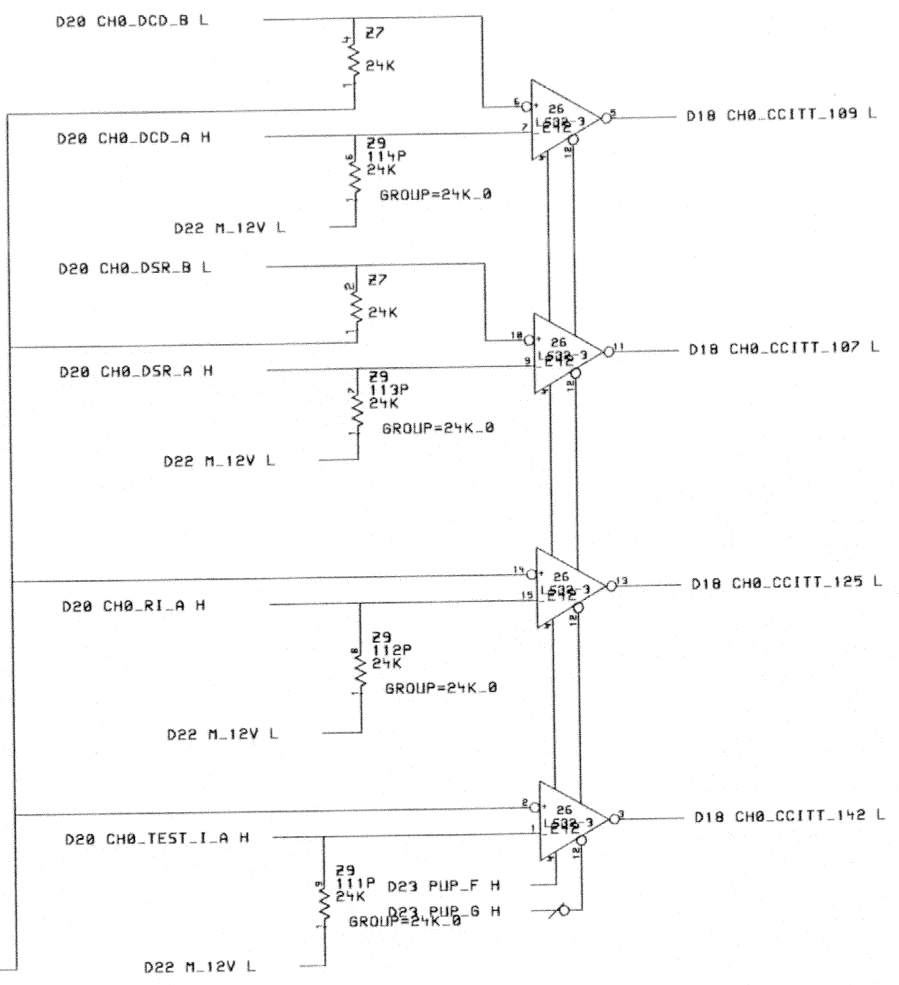
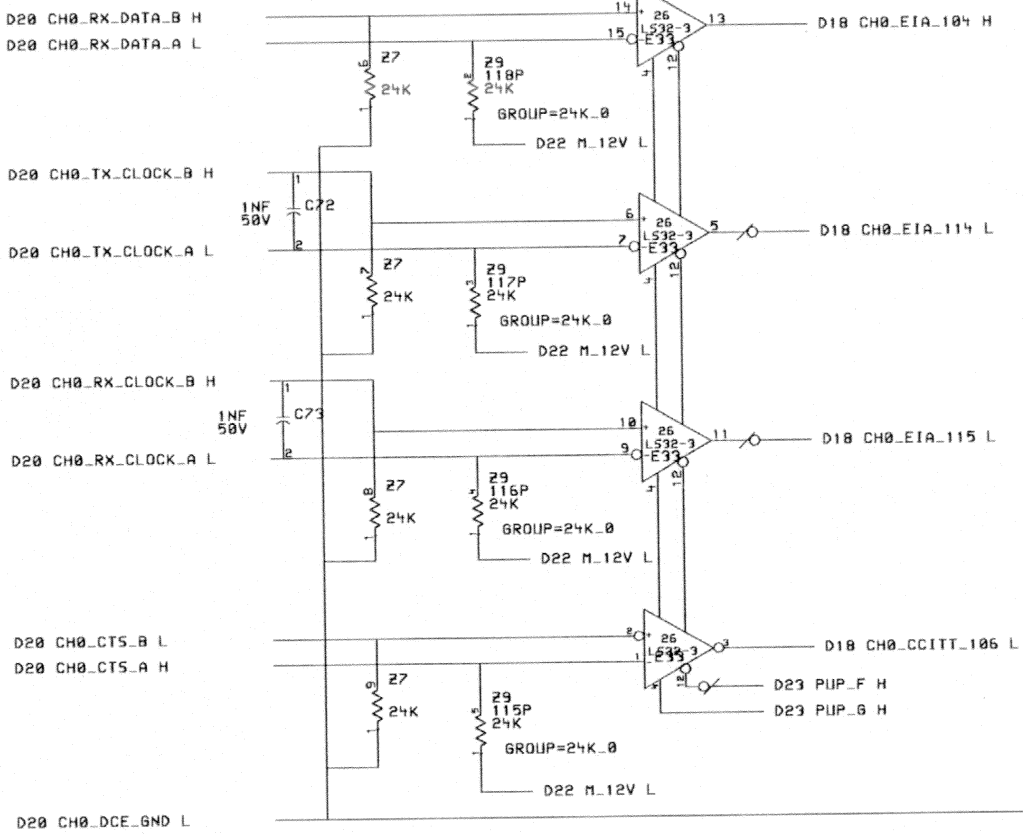
DRAWING  
Tue Jan 26 11:58:50 1988

NEXT HIGHER ASSEMBLY  
K-DD-DSV11-0-0

DRW. M.J. STRATFORD	25-NOV-1987	TITLE M3108_SIII_S_ETCH	digital
CHK'D.		DSV11 EIA INTERFACES CHI_RS_DRIVERS	
DES. ENG.			
RESP. ENG.		DOCUMENT NUMBER	
FRB. ENG. S.O'SULLIVAN		SIZE K	CODE CS
TOP DOC NO.		NUMBER M3108-0-0	REV. AX02
SCALE		SHEET 17 OF 27	

RE2 1

THIS DRAWING AND SPECIFICATIONS, HEREIN, ARE THE PROPERTY OF DIGITAL EQUIPMENT CORPORATION AND SHALL NOT BE REPRODUCED OR COPIED OR USED IN WHOLE OR IN PART AS THE BASIS FOR THE MANUFACTURE OR SALE OF ITEMS WITHOUT WRITTEN PERMISSION.  
 COPYRIGHT 1987 DIGITAL EQUIPMENT CORPORATION



REV	ECO NUMBER	DATE

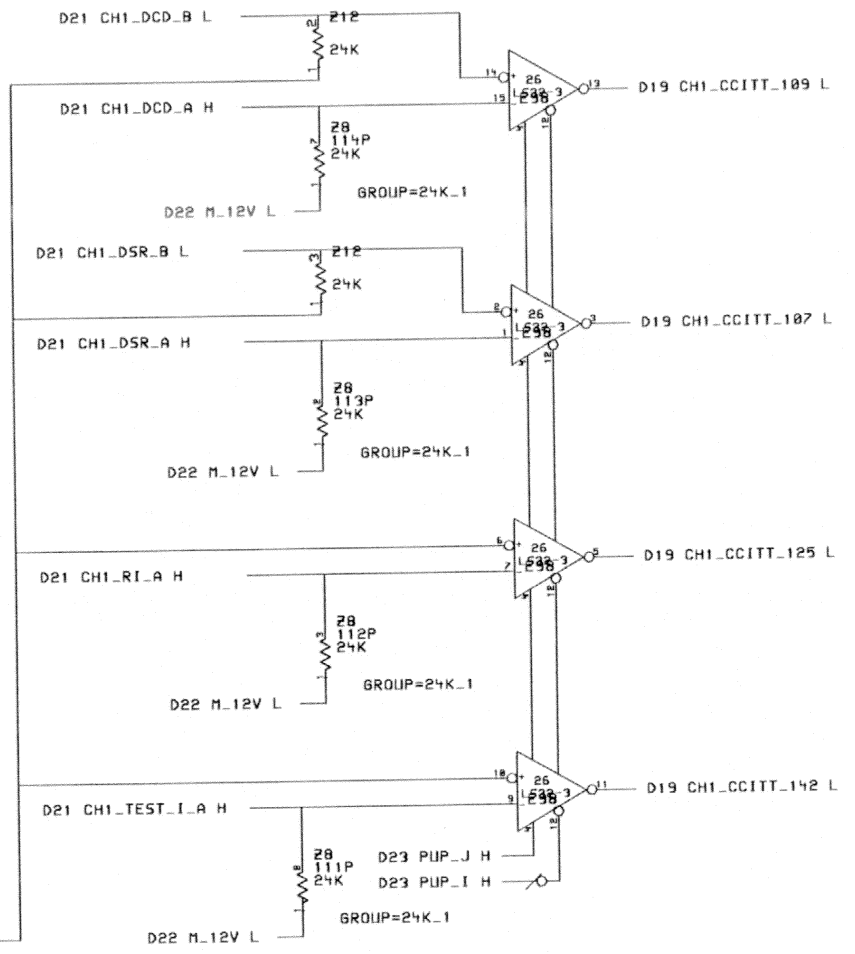
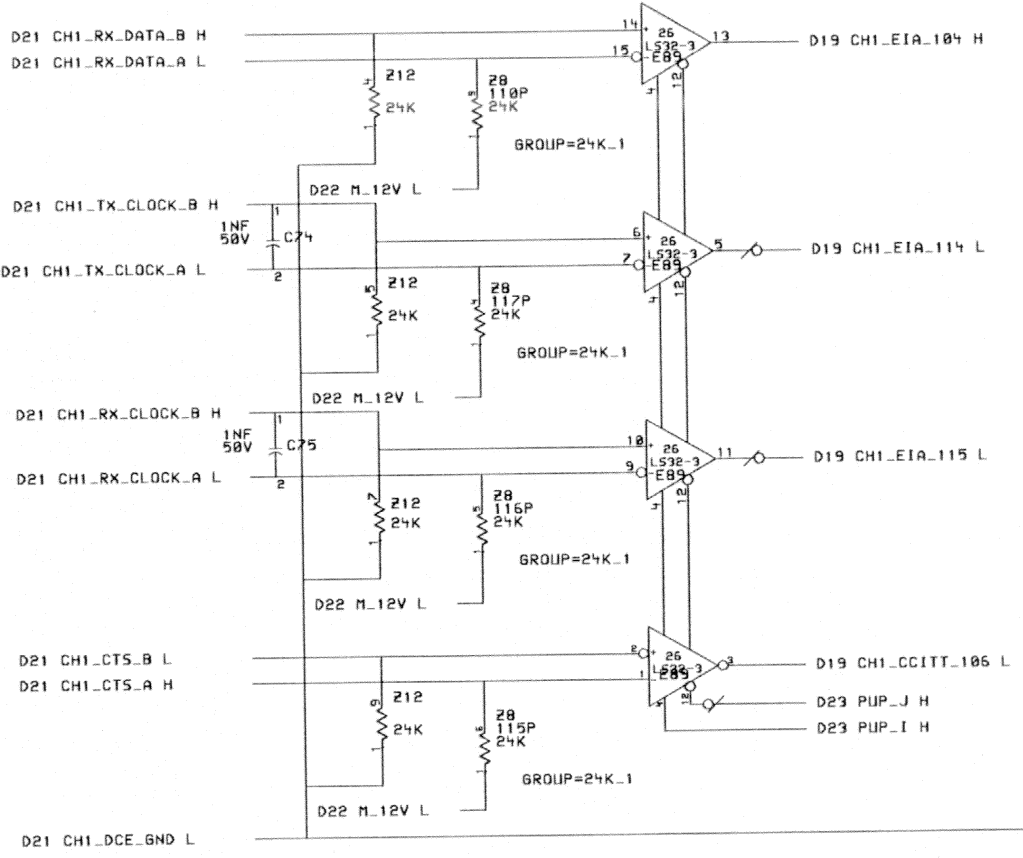
DRAWING  
 Tue Jan 26 11:59:49 1988

NEXT HIGHER ASSEMBLY  
 K-DD-DSV11-0-0

DRW.	M.J. STRATFORD	25-NOV-1987
CHK'D.		
DES. ENG.		
RESP. ENG.		
MFG. ENG.	S.O. SULLIVAN	
TOP DOC NO.		

TITLE			M3108.SIII.S.ETCH	digital
DSV11				
EIA INTERFACE				
CH0_RS_RECEIVERS				
DOCUMENT NUMBER				
SIZE	CODE	NUMBER	REV.	
K	CS	M3108-0-0	AX02	
SCALE			SHEET 18	OF 27

THIS DRAWING AND SPECIFICATIONS, HEREIN, ARE THE PROPERTY OF DIGITAL EQUIPMENT CORPORATION AND SHALL NOT BE REPRODUCED OR COPIED OR USED IN WHOLE OR IN PART AS THE BASIS FOR THE MANUFACTURE OR SALE OF ITEMS WITHOUT WRITTEN PERMISSION.  
 COPYRIGHT 1987 DIGITAL EQUIPMENT CORPORATION



REV	ECO NUMBER	DATE

DRAWING  
 Tue Jan 26 12:00:16 1988

NEXT HIGHER ASSEMBLY  
 K-DD-DSV11-0-0

DRN. M. J. STRATFORD	25-NOV-1987
CHK'D.	
DES. ENG.	
RESP. ENG.	
MFG. ENG. S. O' SULLIVAN	
TOP DOC NO.	

TITLE M3100_SIII_S.ETCH <span style="border: 1px solid black; padding: 2px;">digital</span>	
<b>DSV11</b>	
EIA INTERFACE CHI_RS-RECEIVERS	
DOCUMENT NUMBER	
SIZE K	CODE CS
NUMBER M3100-0-0	REV. AX02
SCALE SHEET 19 OF 27	

D

C

B

A

D

C

B

A

4

3

2

1

4

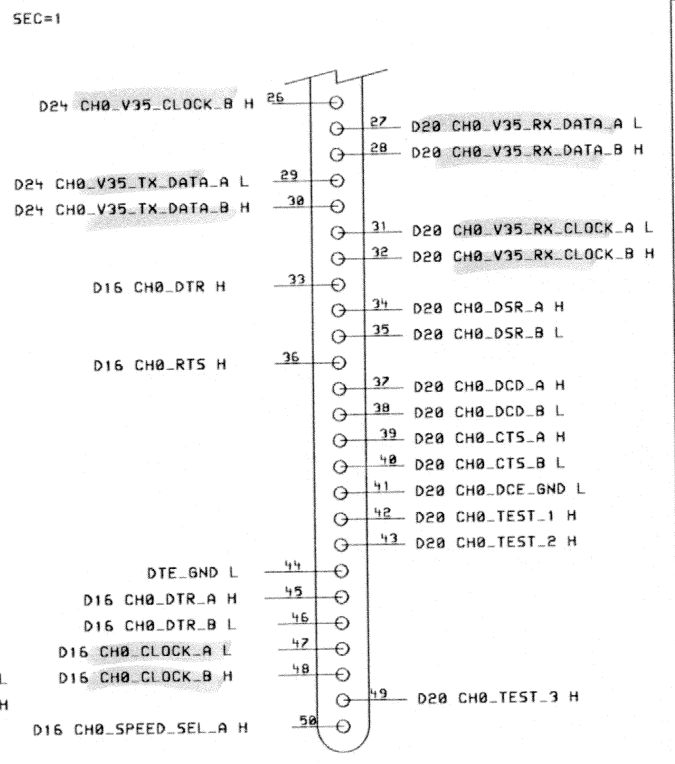
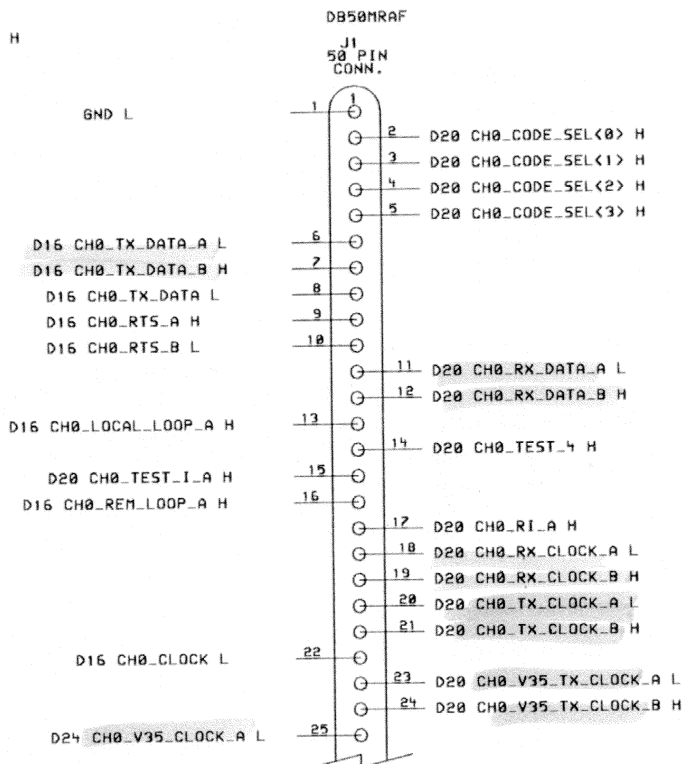
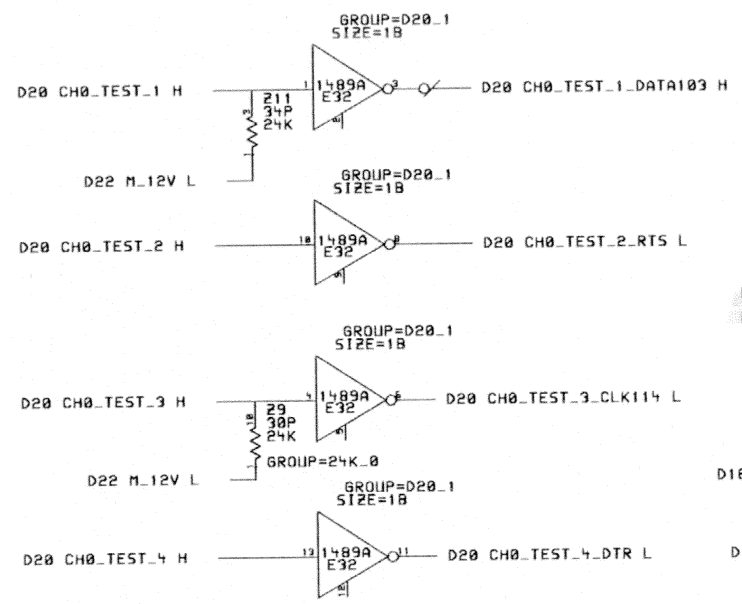
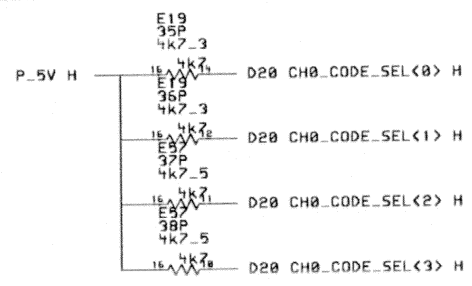
3

2

RE2

1

THIS DRAWING AND SPECIFICATIONS, HEREIN, ARE THE PROPERTY OF DIGITAL EQUIPMENT CORPORATION AND SHALL NOT BE REPRODUCED OR COPIED OR USED IN WHOLE OR IN PART AS THE BASIS FOR THE MANUFACTURE OR SALE OF ITEMS WITHOUT WRITTEN PERMISSION.  
 COPYRIGHT 1987 DIGITAL EQUIPMENT CORPORATION



REVISION HISTORY	DATE
REV	ECO NUMBER

DRAWING  
 Tue Jan 26 11:51:31 1988

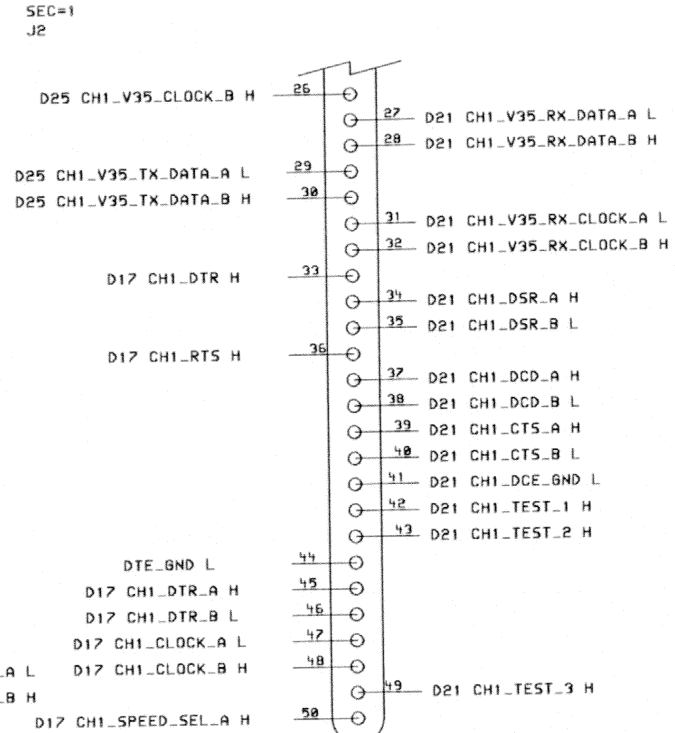
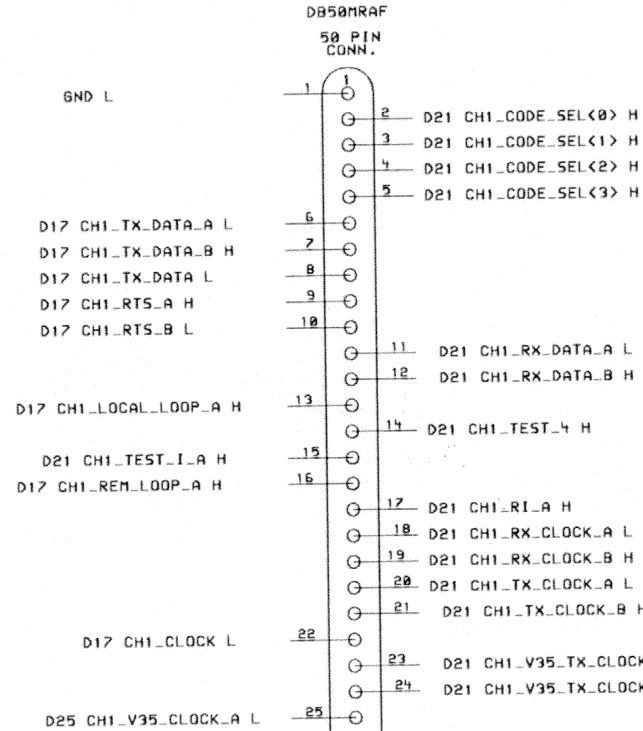
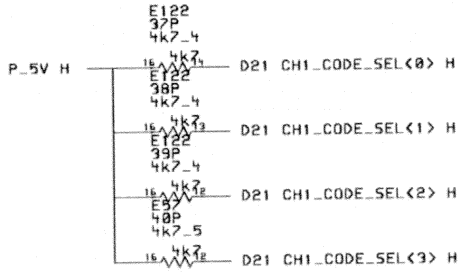
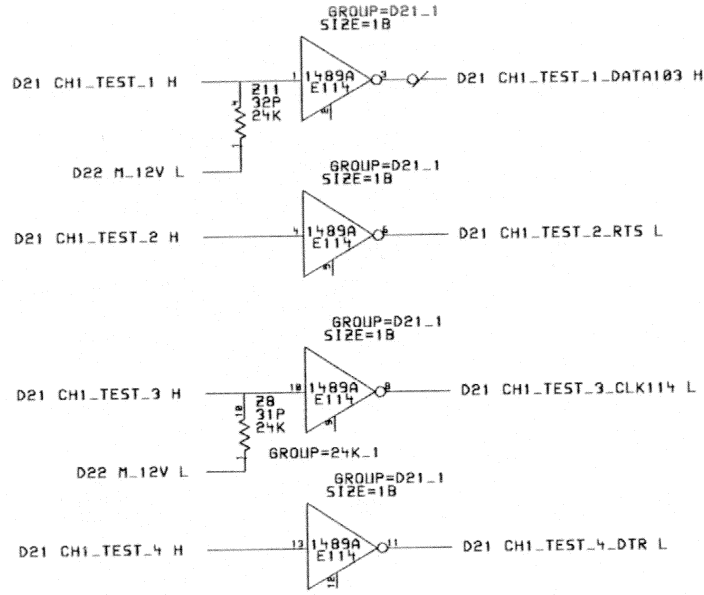
NEXT HIGHER ASSEMBLY  
 K-DD-DSV11-0-0

DRN. M.J.STRAFORD	25-NOV-1987	TITLE M3108-SIII-S.ETCH	digital		
CHK'D.		<b>DSV11</b> DSV_50WAY_CONN CHANNEL 0 ONLY			
DES. ENG.					
RESP. ENG.					
MFG. ENG. S.O'SULLIVAN		DOCUMENT NUMBER			
TOP DOC NO.		SIZE K	CODE CS	NUMBER M3108-0-0	REV. AX02
		SCALE	SHEET 20 OF 27		

RE2 1

THIS DRAWING AND SPECIFICATIONS, HEREIN, ARE THE PROPERTY OF DIGITAL EQUIPMENT CORPORATION AND SHALL NOT BE REPRODUCED OR COPIED OR USED IN WHOLE OR IN PART AS THE BASIS FOR THE MANUFACTURE OR SALE OF ITEMS WITHOUT WRITTEN PERMISSION.

COPYRIGHT 1987 DIGITAL EQUIPMENT CORPORATION



REVISION HISTORY	DATE
REV	ECO NUMBER

DRAWING  
Tue Jan 26 11:53:18 1988

NEXT HIGHER ASSEMBLY  
K-DD-DSV11-0-0

DRN.	M. J. STRATFORD	25-NOV-1987
CHK'D.		
DES. ENG.		
RESP. ENG.		
RFB. ENG.	S. O. SULLIVAN	
TOP DOC NO.		

TITLE M3108_SIII_5_ETCH <span style="border: 1px solid black; padding: 2px;">digital</span>		
<b>DSV11</b>		
DSV_50WAY_CONN CHANNEL 1 ONLY		
DOCUMENT NUMBER		
SIZE	CODE	NUMBER
K	CS	M3108-0-0
SCALE		REV. AX02
SHEET 21		OF 27

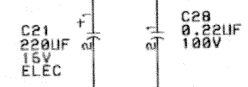
RE2 1

20x 20 x 10<sup>-9</sup> X<sub>c</sub> = 1/277

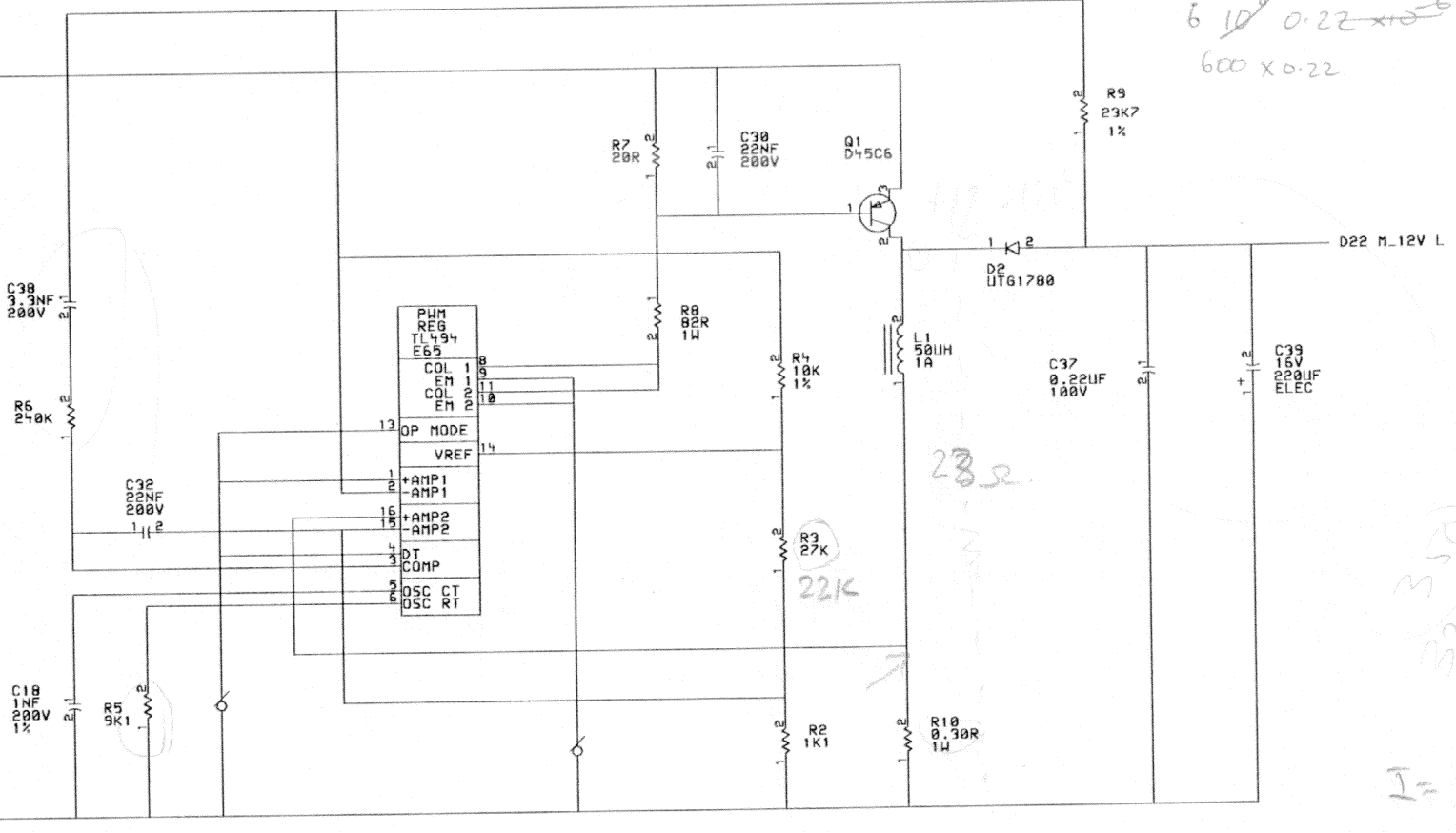
THIS DRAWING AND SPECIFICATIONS, HEREIN, ARE THE PROPERTY OF DIGITAL EQUIPMENT CORPORATION AND SHALL NOT BE REPRODUCED OR COPIED OR USED IN WHOLE OR IN PART AS THE BASIS FOR THE MANUFACTURE OR SALE OF ITEMS WITHOUT WRITTEN PERMISSION.  
 COPYRIGHT 1987 DIGITAL EQUIPMENT CORPORATION

$T_c = \frac{1}{6 \times 10^8 \times 0.22 \times 10^{-6}}$   
 $600 \times 0.22$

D11 P\_12V H



GND L



GND L

350  
320

$I = \frac{V}{R}$

100 V

REVISION HISTORY	REV	ECO NUMBER	DATE

DRAWING  
 Tue Jan 26 11:54:27 1988

NEXT HIGHER ASSEMBLY  
 K-DD-DSV11-0-0

DRN. M. J. STRATFORD	25-NOV-1987	TITLE M3108_S111_S_ETCH	digital
CHK'D.		DSV11	
DES. ENG.		DC TO DC CONVERTER	
RESP. ENG.		250MA AT -12V	
MFG. ENG. S. O. SULLIVAN		DOCUMENT NUMBER	
TDP DOC NO.		SIZE K CS	NUMBER M3108-0-0
		SCALE	REV. AX02
		SHEET 22 OF 27	

4

3

2

RE2

1

THIS DRAWING AND SPECIFICATIONS, HEREIN, ARE THE PROPERTY OF DIGITAL EQUIPMENT CORPORATION AND SHALL NOT BE REPRODUCED OR COPIED OR USED IN WHOLE OR IN PART AS THE BASIS FOR THE MANUFACTURE OR SALE OF ITEMS WITHOUT WRITTEN PERMISSION.  
 COPYRIGHT 1987 DIGITAL EQUIPMENT CORPORATION

D

C

B

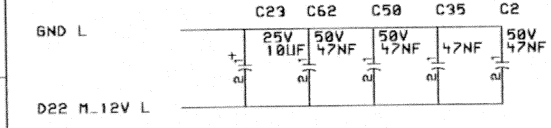
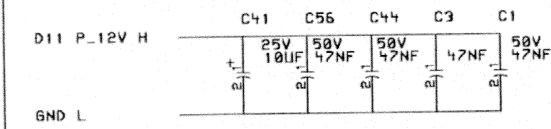
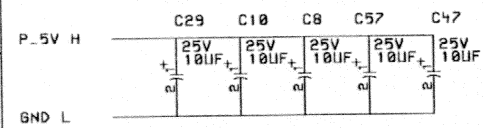
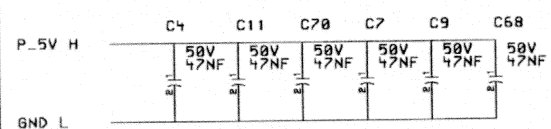
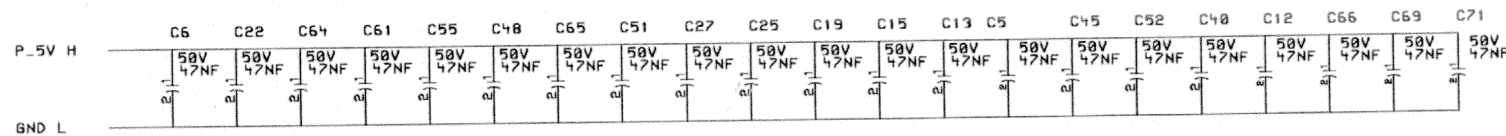
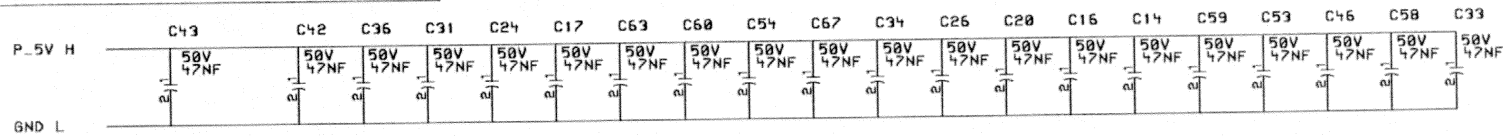
A

4

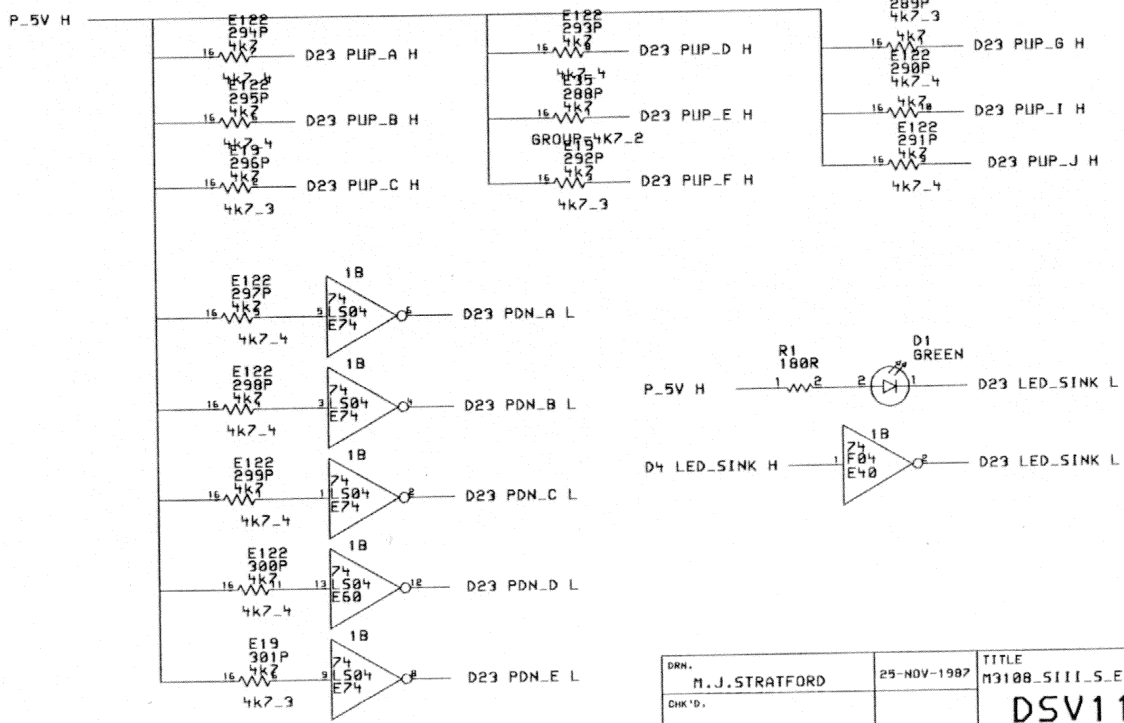
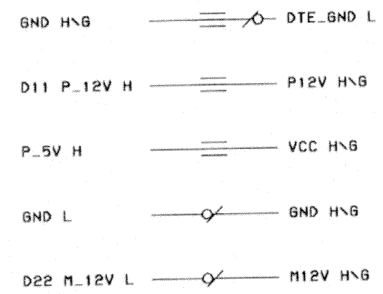
3

2

1



REVISION HISTORY	REV	ECO NUMBER	DATE



DRAWING  
 Tue Jan 26 11:56:03 1988

NEXT HIGHER ASSEMBLY  
 K-DD-DSV11-0-0

DRN. M.J.STRAFORD	25-NOV-1987	TITLE M3108-SIII-S.ETCH	digital
CHK'D.		DSV11 POWER SUPPLIES AND DECOUPLING	
DES. ENG.		DOCUMENT NUMBER	
RESP. ENG.		SIZE K	CODE CS
RFQ. ENG. S.O'SULLIVAN		NUMBER M3108-0-0	REV. AX02
TOP DOC NO.		SCALE	SHEET 23 OF 27

4

3

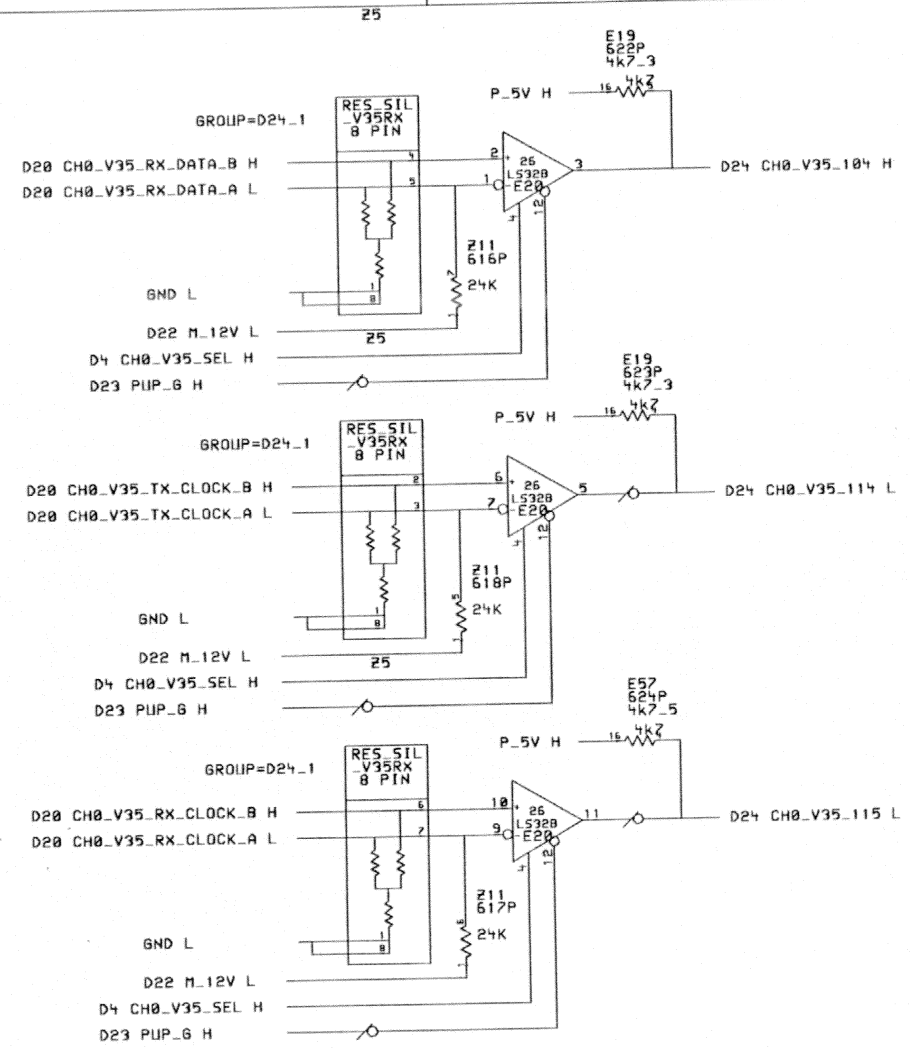
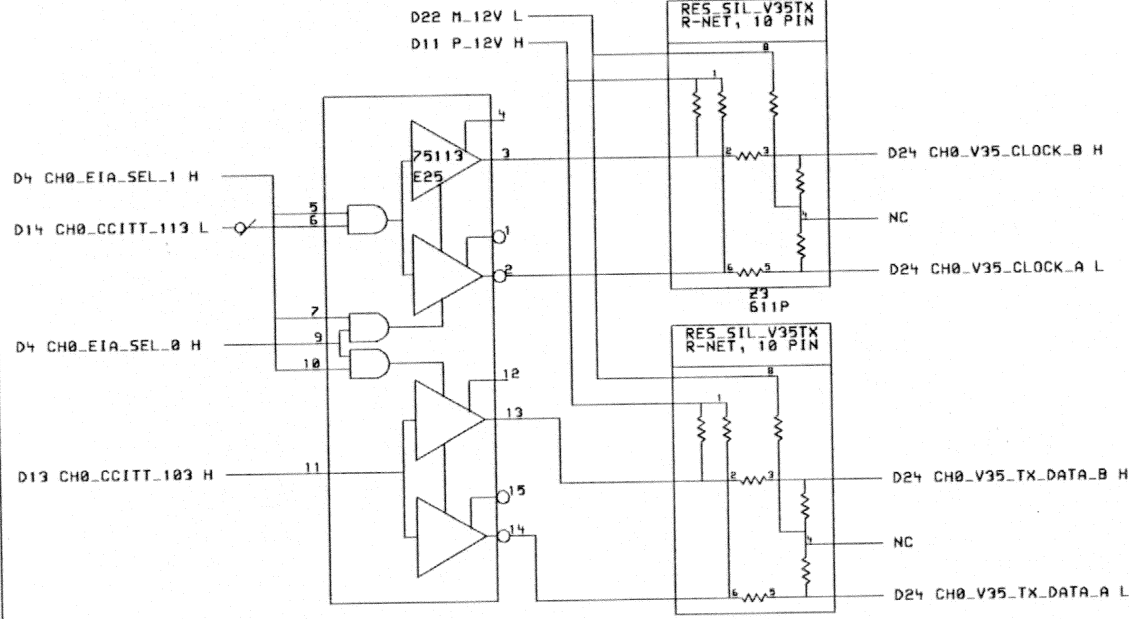
2

RE2

1

THIS DRAWING AND SPECIFICATIONS, HEREIN, ARE THE PROPERTY OF DIGITAL EQUIPMENT CORPORATION AND SHALL NOT BE REPRODUCED OR COPIED OR USED IN WHOLE OR IN PART AS THE BASIS FOR THE MANUFACTURE OR SALE OF ITEMS WITHOUT WRITTEN PERMISSION.

COPYRIGHT 1987 DIGITAL EQUIPMENT CORPORATION



REV	ECO NUMBER	DATE

DRAWING  
Tue Jan 26 11:57:36 1988

NEXT HIGHER ASSEMBLY  
K-DD-DSV11-0-0

DRN. M. J. STRATFORD	25-NOV-1987	TITLE M3108_SIII_S-ETCH	digital
CHK'D.		DSV11 V35 INTERFACE CHANNEL A ONLY	
DES. ENG.			
RESP. ENG.			
HF8. ENG. S. O'SULLIVAN		DOCUMENT NUMBER	
TOP DOC NO.		SIZE K	CODE CS
		NUMBER M3108-0-0	REV. AX02
		SCALE	SHEET 24 OF 27

4

3

2

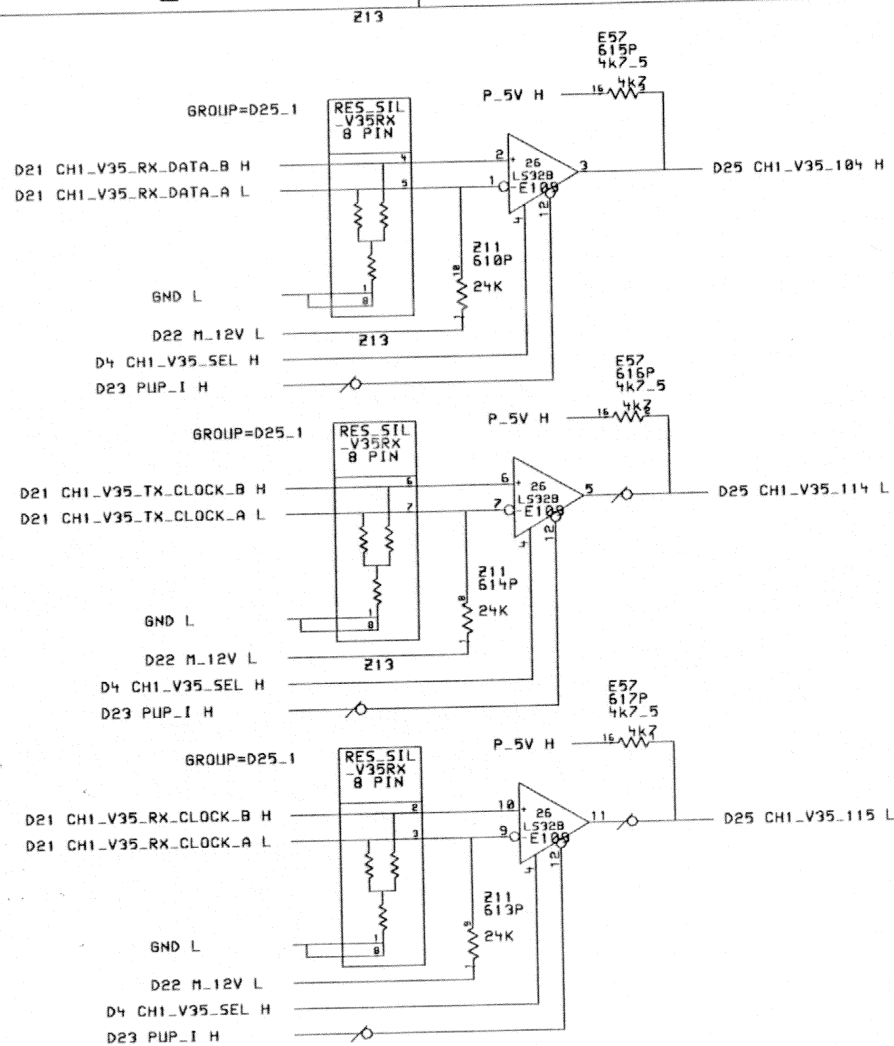
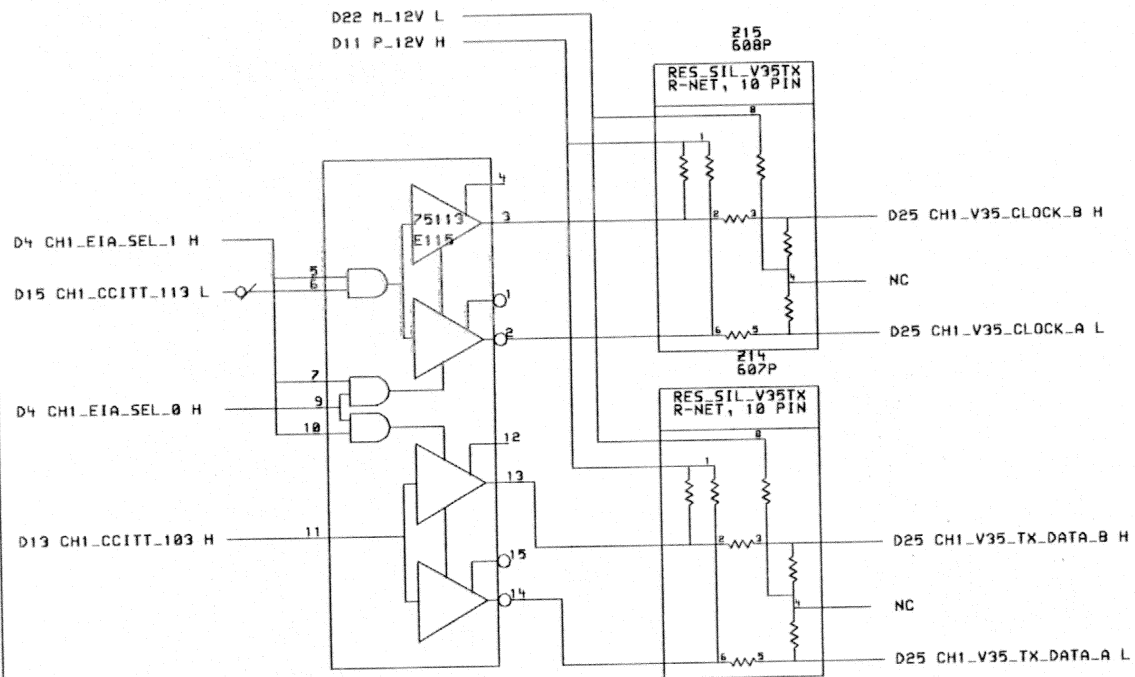
RE2

1



THIS DRAWING AND SPECIFICATIONS, HEREIN, ARE THE PROPERTY OF DIGITAL EQUIPMENT CORPORATION AND SHALL NOT BE REPRODUCED OR COPIED OR USED IN WHOLE OR IN PART AS THE BASIS FOR THE MANUFACTURE OR SALE OF ITEMS WITHOUT WRITTEN PERMISSION.

COPYRIGHT 1987 DIGITAL EQUIPMENT CORPORATION



REV	ECO NUMBER	DATE

DRAWING  
Tue Jan 26 11:58:27 1988

NEXT HIGHER ASSEMBLY  
K-DD-DSV11-0-0

DRN. M.J.STRATFORD	25-NOV-1987	TITLE M3108_SIII_S_ETCH digital
CHK'D.		DSV11 V35 INTERFACE CHANNEL B ONLY
DES. ENG.		
RESP. ENG.		
DRG. ENG. S.O'SULLIVAN		
TDP DDC NO.		DOCUMENT NUMBER M3108-0-0
		SCALE K CS
		REV. AX02
		SHEET 25 OF 27

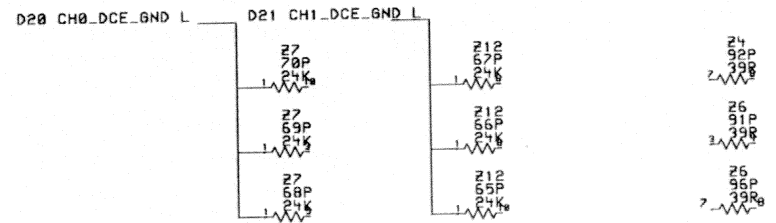
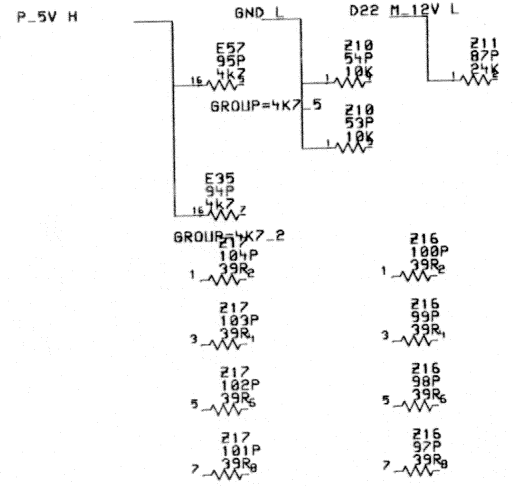
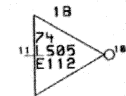
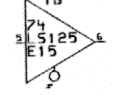
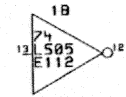
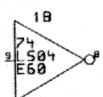
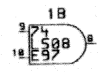
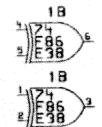
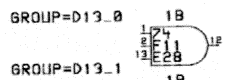
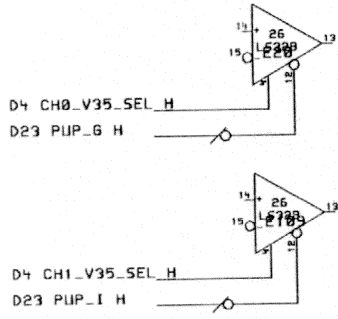
RE2 1

THIS DRAWING AND SPECIFICATIONS, HEREIN, ARE THE PROPERTY OF DIGITAL EQUIPMENT CORPORATION AND SHALL NOT BE REPRODUCED OR COPIED OR USED IN WHOLE OR IN PART AS THE BASIS FOR THE MANUFACTURE OR SALE OF ITEMS WITHOUT WRITTEN PERMISSION.

COPYRIGHT 1987 DIGITAL EQUIPMENT CORPORATION

### SPARE IC POSITIONS

8BF	
8D	FLOP
74F	374
E	30
7	D7
6	R6
5	D5
4	R4
3	D3
2	R2
1	D1
0	R0
EN	CLK



REV	ECO NUMBER	DATE

DRN.	M.J.STRATFORD	25-NOV-1987	TITLE	M3108_S111_S.ETCH	digital	
CHK'D.			DSV11 SPARES PAGE			
DES. ENG.						
RESP. ENG.			DOCUMENT NUMBER			
MFG. ENG.	S.O*SULLIVAN		SIZE	CODE	NUMBER	REV.
TOP DOC NO.			K	CS	M3108-0-0	AX02
NEXT HIGHER ASSEMBLY	K-DD-DSV11-0-0		SCALE	SHEET 26 OF 27		

DRAWING  
Tue Jan 26 11:59:20 1988

RE2 1

THIS DRAWING AND SPECIFICATIONS, HEREIN, ARE THE PROPERTY OF DIGITAL EQUIPMENT CORPORATION AND SHALL NOT BE REPRODUCED OR COPIED OR USED IN WHOLE OR IN PART AS THE BASIS FOR THE MANUFACTURE OR SALE OF ITEMS WITHOUT WRITTEN PERMISSION.

COPYRIGHT 1987 DIGITAL EQUIPMENT CORPORATION

DEVICE_TYPE	DEC_PART_NO	POWER_PINS
1489A-1	1913130-00	(VCC:14;GND:7)
26L531-1	1915851-00	(VCC:16;GND:8)
26L532-1	1915123-03	(VCC:16;GND:8)
26L532B-1	1915123-04	(VCC:16;GND:8)
50000-1	2120057-01	(VCC:14,43;GND:16,53)
74F00-1	1921305-01	(VCC:14;GND:7)
74F02-1	1921305-01	(VCC:14;GND:7)
74F04-1	1921308-01	(VCC:14;GND:7)
74F08-1	1921308-01	(VCC:14;GND:7)
74F109-1	1921691-01	(VCC:16;GND:8)
74F11-1	1921310-01	(VCC:14;GND:7)
74F139-1	1921317-01	(VCC:16;GND:8)
74F153-1	1923578-01	(VCC:14;GND:7)
74F32-1	1921319-01	(VCC:14;GND:7)
74F35-1	1920442-01	(VCC:20;GND:10)
74F521-1	1921417-01	(VCC:20;GND:10)
74F74-1	1921314-01	(VCC:14;GND:7)
74F86-1	1921315-01	(VCC:14;GND:7)
74LS00-1	1912799-00	(VCC:14;GND:7)
74LS02-1	1912801-00	(VCC:14;GND:7)
74LS03-1	1912802-00	(VCC:14;GND:7)
74LS04-1	1912803-00	(VCC:14;GND:7)
74LS00-1	1912805-00	(VCC:14;GND:7)
74LS112-1	1912834-00	(VCC:16;GND:8)
74LS125-1	1915932-00	(VCC:14;GND:7)
74LS148-1	1919018-00	(VCC:16;GND:8)
74LS244B-1	1915193-00	(VCC:20;GND:10)
74LS245-1	1915218-00	(VCC:20;GND:10)
74LS257-1	1912647-00	(VCC:16;GND:8)
74LS273-1	1912863-00	(VCC:14;GND:7)
74LS294-1	1912915-00	(VCC:20;GND:10)
74LS374-1	1914214-00	(VCC:14;GND:7)
74LS393-1	1914451-00	(VCC:14;GND:7)
74LS74-1	1912824-00	(VCC:14;GND:7)
75113-1	1911341-00	(VCC:16;GND:8)
8237-1	2120070-01	(VCC:31;GND:11)
825105-1	2330001-01	(VCC:20;GND:10)
825105-1	2330003-01	(VCC:20;GND:10)
8530-1	2123466-01	(VCC:9;GND:3)
8641-2-1	1914987-00	(VCC:16;GND:8)
9536-1	1915415-00	(P12V:8;11;12V:2;GND:4)
AM2952-1	1921382-01	(VCC:24;GND:12)
BUF RAM CONTR	23000J5-03	(VCC:20;GND:10)
DC021-1	1919015-00	(VCC:20;GND:10)
DC7041-1	2125086-01	(VCC:21,42,63,84;GND:1,22,43,64)
DMA CONTROL5-	23000J5-03	(VCC:20;GND:10)
FLAG REG-1	23000K4-03	(VCC:20;GND:10)
HME115-2-1	2117872-02	(VCC:24;GND:12)
OSC-40MHZ	1814057-00	(VCC:14;GND:7)
ROM-LIVEPROM,2	23000E6-05	(VCC:20;GND:10)
SCC CONTROL5-	23000J5-03	(VCC:20;GND:10)
SRAM_4KX4-1	2119250-05	(VCC:20;GND:10)
TL434-1	1921532-01	(P12V:12;GND:7)

The following parts have no POWER\_PINS or SUPPLY\_PINS defined

CAP-0.22UF,10	1017097-01
CAP-1NF,1%,20	1019058-05
CAP-22NF,10%,	1013465-54
CAP-3,3NF,10%,	1005116-00
CAP-47NF,10%,	1012784-00
CONN50-BERG	1225552-01
DIODE-1N5711	1110603-00
DIODE-1N61780	1118982-00
INDUCTOR-1	1524190-01
LED-GREEN	1117373-00
PCAP-100UF,10%	1017472-00
PCAP-220UF,10	1025379-01
RES-0.30R,5%,	1312683-00
RES-100K,5%,	1302466-00
RES-10K,1%,	1303312-00
RES-100R,5%,	1300247-00
RES-100R,5%,	1301322-00
RES-1K1,5%,	1301475-00
RES-100R,5%,	1320628-01
RES-20K,1%,	1313957-00
RES-20K,5%,	1314253-00
RES-27K,5%,	1305346-00
RES-374R,1%,	1316736-00
RES-422R,1%,	1303067-00
RES-4K7,5%,	1300447-00
RES-5J1R,1%,	1305122-00
RES-500R,5%,	1301890-00
RES-0.2R,5%,1W	1319470-12
RES-9K1,5%,	1313918-00
RES-DIL,16,4K	1300005-07
RES-DIL,10-10	1316334-02
RES-DIL,10-24	1321143-01
RES-DIL,8-39R	1321218-01
RES-DIL-TERM	1321219-01
SOCT-10-1	1211164-06
TOP220-1	1510414-00

REVISION HISTORY	REV	ECO NUMBER	DATE

DRAWING  
Sat Nov 21 15:07:40 1987

NEXT HIGHER ASSEMBLY  
K-DD-DSV11-0-0

DRN. M.J.STRAFORD	25-NOV-1987	TITLE M3108-SIII-S.ETCH	digital
CHK'D.		DSV11 POWER AND GROUND LISTINGS	
DES. ENG.		DOCUMENT NUMBER	
RESP. ENG.		SIZE K	CODE CS
MFG. ENG. S.O'SULLIVAN		NUMBER M3108-0-0	REV. AX02
TOP DOC NO.		SCALE	SHEET 27 OF 27

RE2 1